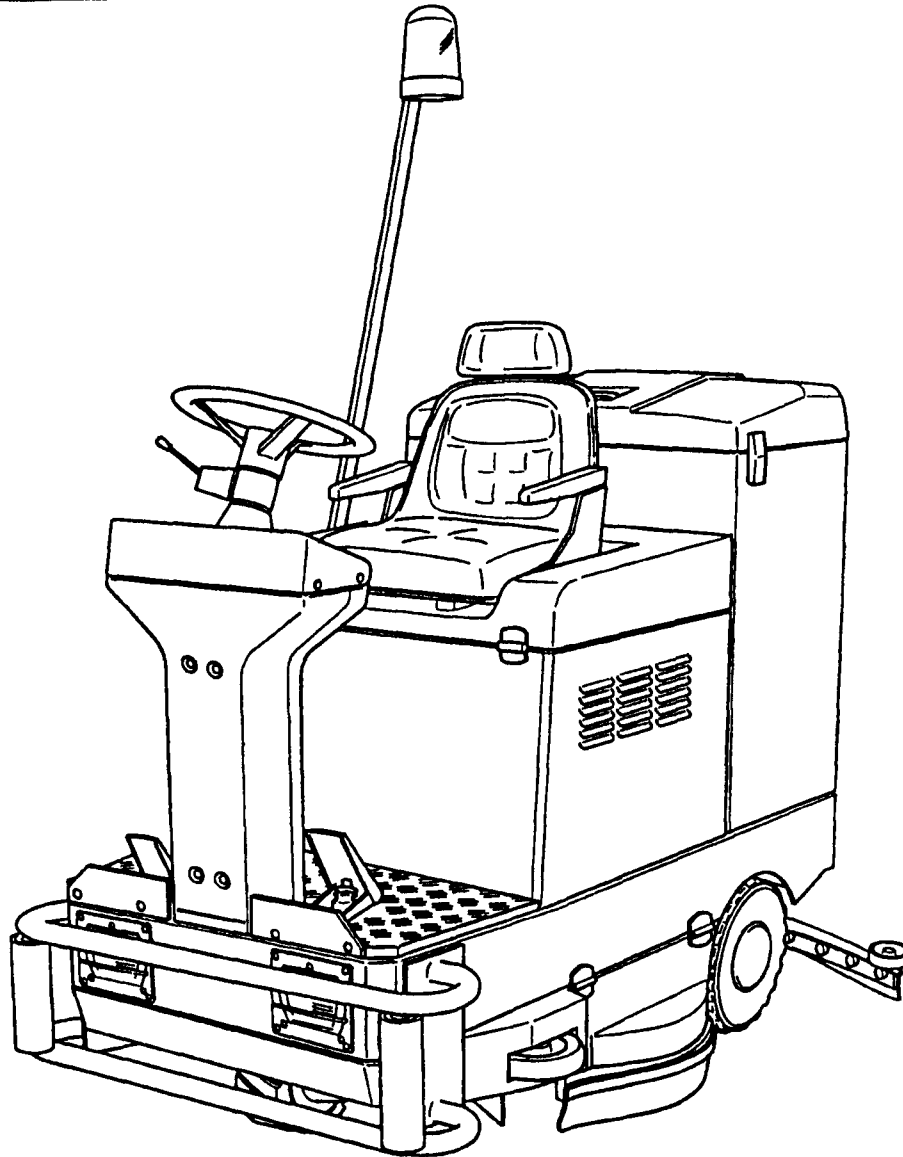




**KENT**

# PARTS

S32K4090SY(219) 03



**KA33BR2**

**Spare Parts List  
Ersatzteilliste  
Liste des pieces detachees  
Reservdelista**

ACCESSORIO  
 OPTIONAL  
 ACCESSOIRES  
 ZUBEHÖR

VERSIONE A BATTERIA  
 BATTERY VERSION  
 VERSION A BATTERIE  
 BATTERIE MODELL

POSIZ. ITEM POS. EINSAT.	CODICE INTERNO INTERNAL CODE CODE INTERIEUR INTERNE NUMMER	CODICE CODE CODE NUMMER	DESCRIZIONE DESCRIPTION DESCRIPTION BEZEICHNUNG	B	O
5	FO0.65600		PARAURTI / MOUNTING BRACKET / PARACHOCS / STOSSDAEMPFER	1	
6	V11.02200		RONDELLA / WASHER / RONDELLE / BEILAGSCHEIBE	6	
7	V03.004		VITE / SCREW / VIS / SCHRAUBE	6	
8	H02.34670		TAPPETINO / MAT BOARD / TAPIS / TEPPICH	1	
9	FO0.62200		PIANTONE / COLUMN / COLONNE / LENKROHR	1	

# LIST OF RECOMMENDED SPARE PARTS

KA33BR2

S32K4090SY(2)98 03

CODE	INTERNAL CODE	ITEM DESCRIPTION	QUANTITY (for nr. 10 machines)	REF. DRAW	ITEM	CLASS	NOTE
145 8512 000	G02.12100	RELAY (FOR POWER ELECTRONIC BOARD)	3	L	11	EM	
145 1602 000		POWER ELECTRONIC BOARD	1	L	1	EM	
145 1603 000		MICROPROCESSOR ELECTRONIC BOARD	1	L	2	EM	
145 1606 000		DISPLAY ELECTRONIC BOARD	1	L	41	EM	
145 1607 000		CONTROL PANEL	2	L	37	EM	
145 8880 000	G12.00100	FLAT CABLE	2	L	35	EM	
145 8872 000	G12.00200	FLAT CABLE	2	L	6	EM	
145 3785 000	G05.11100	KEY SWITCH	2	L	38	EM	
145 1616 000		VACUUM MOTOR (SUCTION)	1	I	13	EM	
145 4714 000		REAR FLAP FOR SQUEEGEE	6	J	36	W	
145 8920 000	H02.30100	FRONT FLAP FOR SQUEEGEE	3	J	35	W	
145 1949 000		CLAMPS FOR SQUEEGEE SUPPORT	4	J	41	EM	
145 8869 000	A03.08500	WATER PUMP	2	K	13	EM	
145 8503 000	G02.12400	ELECTROVALVE (ELECTROMAGNETIC COIL-SINGLE)	6	K	15	EM	
145 0283 000	G02.13660	POTENTIOMETER (DRIVE CONTROL)	1	C	7	EM	
145 8854 000	G05.10300	MICROSWITCH (SQUEEGEE LIFT. CONTROL)	2	J	15	EM	
145 8221 000	G05.04900	MICROSWITCH (DRIVE CONTROL)	2	C	10	EM	
145 0399 000	L02.16080	HINGE	8	A	20	EM	
145 4932 000		GASKET (LID)	3	B	6	OM	
145 2169 000	A07.00300	CARBON BRUSH (BRUSH MOTOR)	6	H	2	OM	
145 8047 000	G11.04500	FUSE 80 A	5	L	21	EM	
145 9853 000	G11.05700	FUSE 15 A	5	L	9	EM	
145 8511 000	G11.07000	FUSE 5 A	5	L	7	EM	
145 0227 000	G11.07600	FUSE 40 A	5	L	10	EM	
145 0096 000	B04.01700	BRUSH STANDARD (SEE ALSO OTHER TYPES)	6	G	29	W	ALSO 30-31-32-33
145 4949 000		FRONT WHEEL-NO SKIDDING (BLACK-NEW DRIVE WHEEL)	1	E	1	OM	
	A07.09110	ELECTRICAL BRAKE RUBBER PROTECTION (NEW DRIVE WHEEL)	3	E	5	OM	
145 1333 000	A07.09080	BRAKE PAD (NEW DRIVE WHEEL)	3	E	3	OM	
145 1881 000		FLAT CABLE		L	56		
145 1332 000	A07.09060	CARBON BRUSHES FOR NEW DRIVE WHEEL MOTOR	8	E	7	OM	
145 1702 000	H06.03780	TUBO/PIPE		I	16		
145 8512 000	G02.12100	RELAY (FOR POWER ELECTRONIC BOARD)	3	L	11	EM	

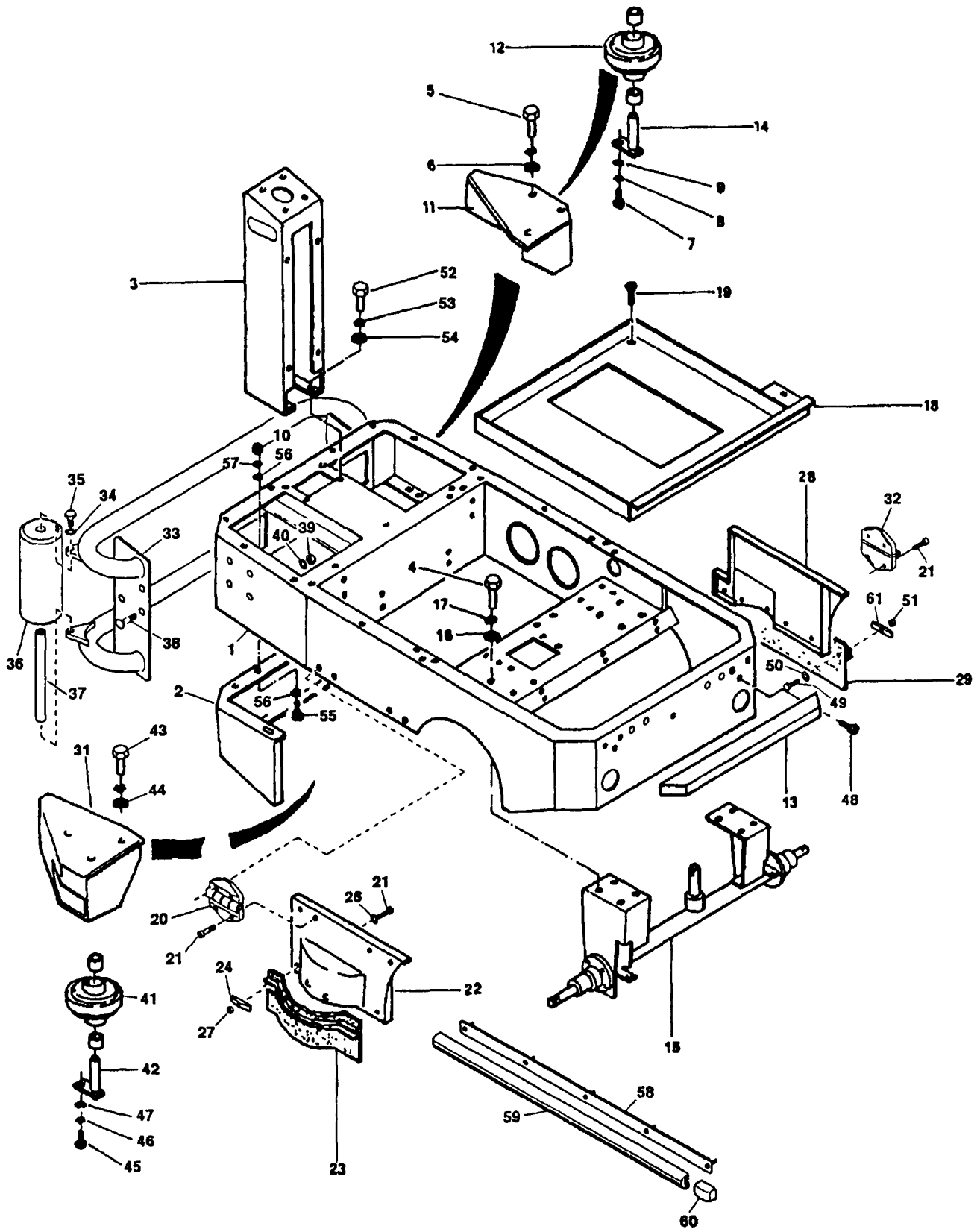
CLASS: W=NORMAL WEAR PART / OM=ORDINARY MAINTENANCE / EM=EXTRA-ORDINARY MAINTENANCE



# TAV. A / DRAW. A / VUE A / ZEICHN. A

KA33BR2

S32K4090SY(2)98-03



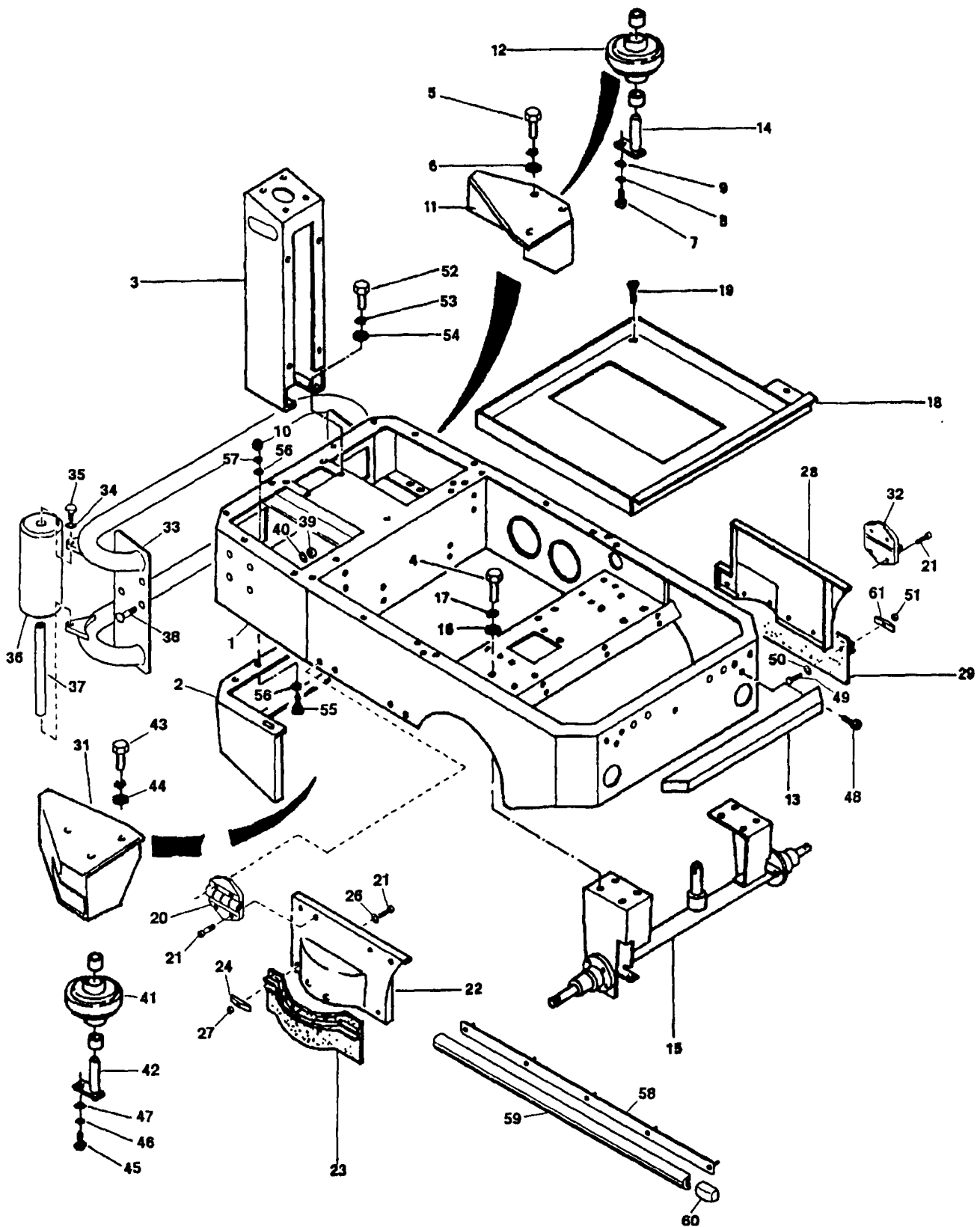
# TAV. A / DRAW. A / VUE A / ZEICHN. A

POSIZ. ITEM POS. EINSAT.	CODICE CODE CODE NUMMER	CODICE INTERNO INTERNAL CODE CODE INTERIEUR INTERNE NUMMER	DESCRIZIONE DESCRIPTION DESCRIPTION BEZEICHNUNG	KA33BR2 S3ZK40905Y(2)98 03	
				B	O
1	145 0061 000	-	TELAIO / FRAME / CHASSIS / RAHMEN	1	
2	145 2975 000	F00.65900	CARENATURA / COVER/ BATI / VERKLEIDUNG	1	
3	145 8708 000	E02.64200	PIANTONE STERZO / STEERING COLUMN / TUBE DE DIRECTION / LENKROHR	1	
4	145 0478 000	V02.01410	VITE / SCREW / VIS / SCHRAUBE	8	
5	145 9968 000	V02.01310	VITE / SCREW / VIS / SCHRAUBE	3	
6	145 8395 000	V09.02010	RONDELLA / WASHER / RONDELLE / BEILAGSCHEIBE	3	
7	145 9959 000	V02.00310	VITE / SCREW / VIS / SCHRAUBE	1	
8	145 9228 000	V11.004	RONDELLA / WASHER / RONDELLE / BEILAGSCHEIBE	1	
9	145 9961 000	V09.00410	RONDELLA / WASHER / RONDELLE / BEILAGSCHEIBE	1	
10	145 9960 000	V13.00410	DADO / NUT / ECROU / MUTTER	7	
11	145 8709 000	F03.53400	SUPPORTO / SUPPORT / SUPPORT / HALTER	1	
12	145 8710 000	D00.05700	RUOTA / WHEEL / ROUE / RAD	1	
13	145 4788 000	-	PARAURTI / MOUNTING BRACKET / HEURTOIR / STOSSDAEMPFER	1	
14	145 8712 000	E02.64300	PERNO / PIN / AXE / STIFT	1	
15	145 8713 000	F04.15900	PONTE POST. / REAR BRIDGE / PONT ARRIERE / BRUCKE	1	
16	145 9979 000	V09.00510	RONDELLA / WASHER / RONDELLE / BEILAGSCHEIBE	8	
17	145 4512 000	V11.005	RONDELLA / WASHER / RONDELLE / BEILAGSCHEIBE	8	
18	145 8714 000	F03.55400	PORTABATTERIE / BATTERY HOLDER PORTE-ACCUMULATEURS / BATTERIETRAEGER	1	
19	145 0507 000	V03.00410	VITE / SCREW / VIS / SCHRAUBE	4	
20	145 0399 000	L02.16080	CERNIERA / HINGE / CHARNIERE / SCHARNIER	2	
21	145 8282 000	V02.02310	VITE / SCREW / VIS / SCHRAUBE	9	
22	145 2974 000	F00.65890	PORTELLO / HATCH / REGARD / Klappe	1	
23	145 8716 000	H02.27500	FLAP / FLAP / FLAP / FLAP GUMMI	1	
24	145 1180 000	H01.26340	PROFILATO / BRACKET / PROFILS / PROFILEISEN	5	
25	145 8282 000	V02.02310	VITE / SCREW / VIS / SCHRAUBE	9	
26	145 9955 000	V09.00310	RONDELLA / WASHER / RONDELLE / BEILAGSCHEIBE	9	
27	145 8281 000	V13.01810	DADO / NUT / ECROU / MUTTER	5	
28	145 8718 000	F00.57700	PORTELLO / HATCH / REGARD / Klappe	1	
29	145 8719 000	H02.27600	FLAP / FLAP / FLAP / FLAP GUMMI	1	
30	145 1180 000	H01.26340	PROFILATO / BRACKET / PROFILS / PROFILEISEN	5	
31	145 8709 000	F03.53400	SUPPORTO / SUPPORT / SUPPORT / HALTER	1	
32	145 0399 000	L02.16080	CERNIERA / HINGE / CHARNIERE / SCHARNIER	2	
33	145 1944 000	-	PARAURTI / MOUNTING BRACKET / HEURTOIR / STOSSDAEMPFER		1
34	145 8395 000	V09.02010	RONDELLA / WASHER / RONDELLE / BEILAGSCHEIBE		4
35	145 0521 000	V02.01210	VITE / SCREW / VIS / SCHRAUBE		4
36	145 1945 000	-	RULLO / SIDE BUMPER ROLLER / ROULEAU / ROLLE		2
37	145 4650 000	-	PERNO / PIN / AXE / STIFT		2
38	145 1974 000	-	VITE / SCREW / VIS / SCHRAUBE		8
39	145 0466 000	V13.02110	DADO / NUT / ECROU / MUTTER		8
40	145 9966 000	V09.00610	RONDELLA / WASHER / RONDELLE / BEILAGSCHEIBE		8
41	145 8710 000	D00.05700	RUOTA / WHEEL / ROUE / RAD	1	
42	145 8712 000	E02.64300	PERNO / PIN / AXE / STIFT	1	
43	145 9968 000	V02.01310	VITE / SCREW / VIS / SCHRAUBE	3	

# TAV. A / DRAW. A / VUE A / ZEICHN. A

KA33BR2

S32K40905Y(2)98 03



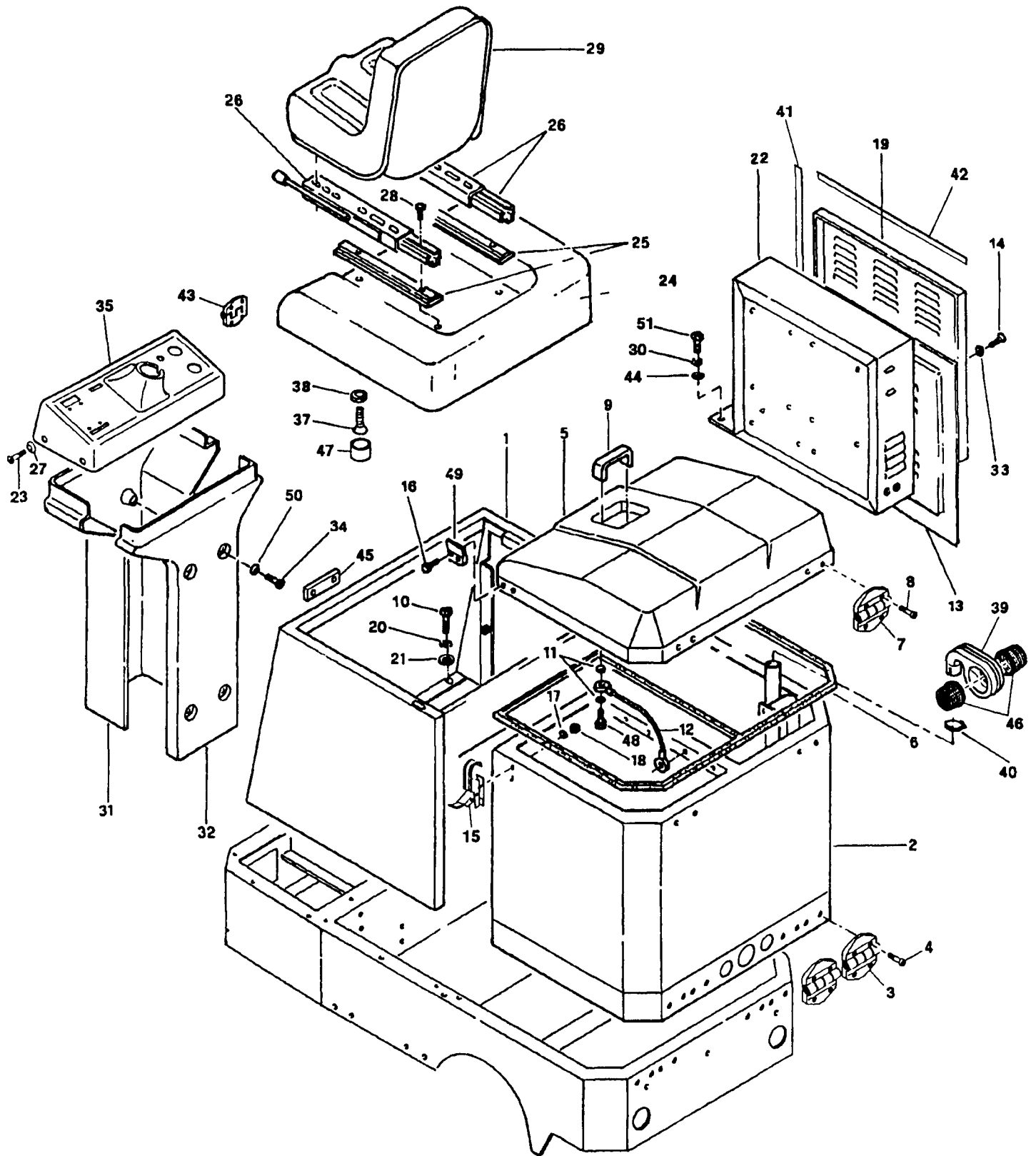
# TAV. A / DRAW. A / VUE A / ZEICHN. A

POSIZ. ITEM POS. EINSAT.	CODICE CODE CODE NUMMER	CODICE INTERNO INTERNAL CODE CODE INTERIEUR INTERNE NUMMER	DESCRIZIONE DESCRIPTION DESCRIPTION BEZEICHNUNG	KA338R2	
				S32K4090SY(2)98 03	
				B	O
44	145 8395 000	V09.02010	RONDELLA / WASHER / RONDELLE / BEILAGSCHEIBE	3	
45	145 9959 000	V02.00310	VITE / SCREW / VIS / SCHRAUBE	1	
46	145 9228 000	V11.004	RONDELLA / WASHER / RONDELLE / BEILAGSCHEIBE	1	
47	145 9961 000	V09.00410	RONDELLA / WASHER / RONDELLE / BEILAGSCHEIBE	1	
48	145 9968 000	V02.01310	VITE / SCREW / VIS / SCHRAUBE	3	
49	145 8282 000	V02.02310	VITE / SCREW / VIS / SCHRAUBE	9	
50	145 9955 000	V09.00310	RONDELLA / WASHER / RONDELLE / BEILAGSCHEIBE	9	
51	145 8281 000	V13.01810	DADO / NUT / ECRU / MUTTER	5	
52	145 9968 000	V02.01310	VITE / SCREW / VIS / SCHRAUBE	4	
53	145 4512 000	V11.005	RONDELLA / WASHER / RONDELLE / BEILAGSCHEIBE	4	
54	145 9979 000	V09.00510	RONDELLA / WASHER / RONDELLE / BEILAGSCHEIBE	8	
55	145 9959 000	V02.00310	VITE / SCREW / VIS / SCHRAUBE	7	
56	145 9961 000	V09.00410	RONDELLA / WASHER / RONDELLE / BEILAGSCHEIBE	14	
57	145 9228 000	V11.004	RONDELLA / WASHER / RONDELLE / BEILAGSCHEIBE	7	
58	145 4696 000	-	PIATTINA / PLATE / PLAQUE / BAND	2	
59	145 4853 000	-	PROTEZIONE / GUARD / PROTECTION / SCHUTZ	2	
60	145 4640 000	-	TERMINALE PARACOLPI	4	
61	145 1180 000	H01.26340	PROFILATO / BRACKET / PROFILS / PROFILEISEN	5	

# TAV. B / DRAW. B / VUE B / ZEICHN. B

KA33BR2

S32K4090SY(2)98 03





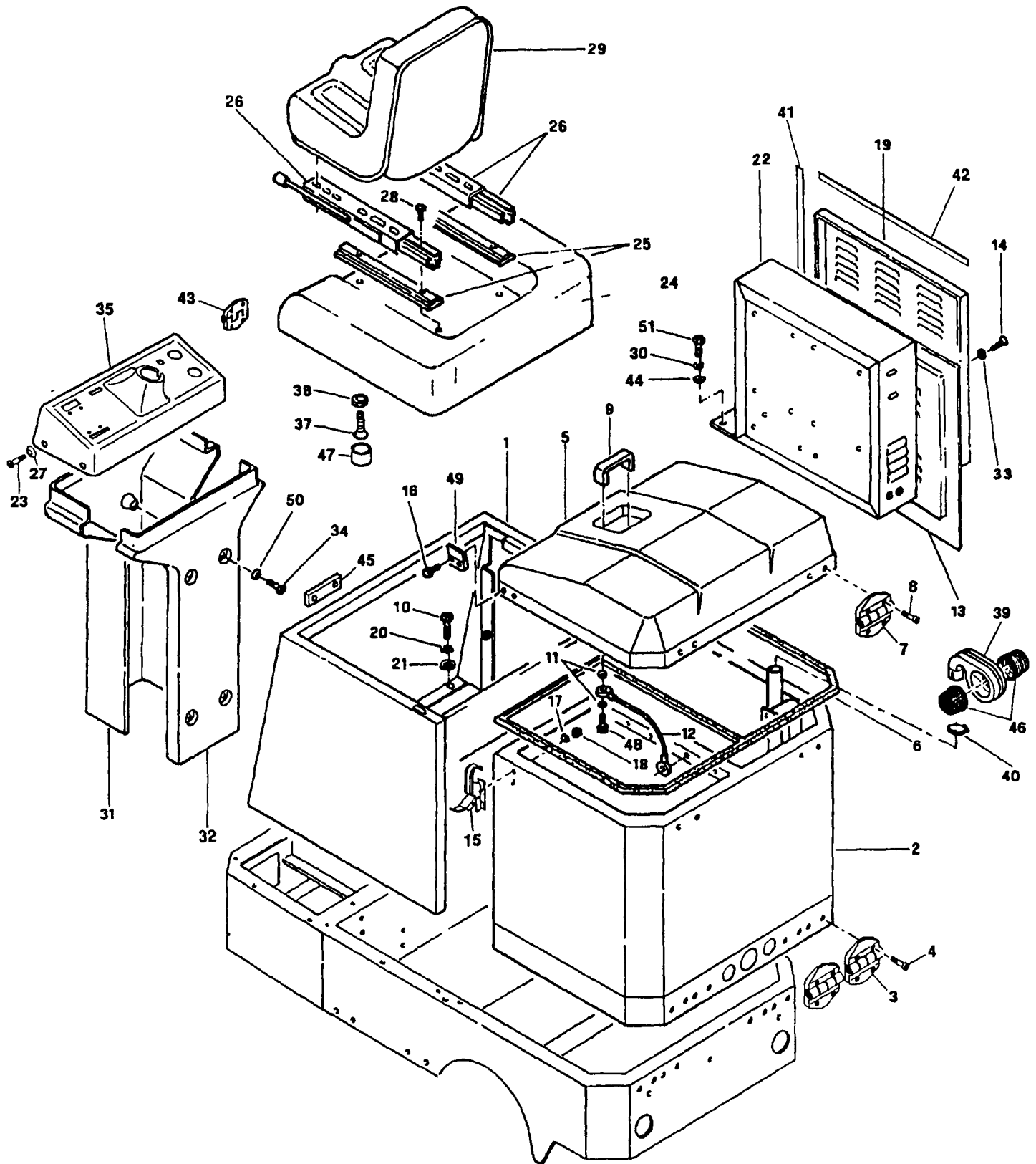
# TAV. B / DRAW. B / VUE B / ZEICHN. B

POSIZ. ITEM POS. EINSAT.	CODICE CODE CODE NUMMER	CODICE INTERNO INTERNAL CODE CODE INTERIEUR INTERNE NUMMER	DESCRIZIONE DESCRIPTION DESCRIPTION BEZEICHNUNG	KA33BR2 532K40905Y(2)98 03	
				B	O
1	145 2922 000	F00.59700	CARENATURA / COVER/ BATI / VERKLEIDUNG (RED)	1	
1	145 1365 000	F00.57101	CARENATURA / COVER/ BATI / VERKLEIDUNG (BLUE)	1	
1	145 2924 000	F00.60000	CARENATURA / COVER/ BATI / VERKLEIDUNG (GREY 7001)	1	
2	145 1917 000	-	SERBATOIO / TANK / RESERVOIR / TANK (BLUE)	1	
3	145 0399 000	L02.16080	CERNIERA / HINGE / CHARNIERE / SCHARNIER	4	
4	145 0026 000	V04.01510	VITE / SCREW / VIS / SCHRAUBE	8	
5	145 8723 000	H01.21300	COPERCHIO / LID COVER / COUVERCLE / DECKEL	1	
6	145 4932 000	-	GUARNIZIONE / GASKET / JOINT / DICHTUNG (L=2,9 ml)	1	
7	145 0399 000	L02.16080	CERNIERA / HINGE / CHARNIERE / SCHARNIER	2	
8	145 8282 000	V02.02310	VITE / SCREW / VIS / SCHRAUBE	8	
9	145 8461 000	L02.14000	MANIGLIA / HANDLE / POIGNEE / HANDGRIFF	1	
10	145 0498 000	V02.00210	VITE / SCREW / VIS / SCHRAUBE	6	
11	145 0246 000	V09.02210	RONDELLA / WASHER / RONDELLE / BEILAGSCHEIBE	2	
12	145 8725 000	E08.13100	CAVO / CABLE / CABLE / KABEL	1	
13	145 8726 000	H01.21700	COPERCHIO / LID COVER / COUVERCLE / DECKEL	1	
14	145 1372 000	V03.04310	VITE / SCREW / VIS / SCHRAUBE	2	
15	145 1585 000	L02.16180	CHIUSURA / PROTECTION SIDE PLATE / FERMETURE / VERSCHLUSS	2	
16	145 1351 000	V02.03410	VITE / SCREW / VIS / SCHRAUBE	8	
17	145 9961 000	V09.00410	RONDELLA / WASHER / RONDELLE / BEILAGSCHEIBE	8	
18	145 8281 000	V13.01810	DADO / NUT / ECROU / MUTTER	4	
19	145 2923 000	F00.59900	PORTELLO / HATCH / REGARD / KLAPPE (RED)	1	
19	145 1371 000	F00.57301	PORTELLO / HATCH / REGARD / KLAPPE (BLUE)	1	
19	145 2925 000	F00.60200	PORTELLO / HATCH / REGARD / KLAPPE (GREY 7001)	1	
20	145 9228 000	V11.004	RONDELLA / WASHER / RONDELLE / BEILAGSCHEIBE	6	
21	145 9961 000	V09.00410	RONDELLA / WASHER / RONDELLE / BEILAGSCHEIBE	6	
22	145 8728 000	F03.55700	CASSETTA / BOX / CAISSE / KASTEN	1	
23	145 1360 000	V05.01510	VITE / SCREW / VIS / SCHRAUBE	4	
24	145 1369 000	F00.63201	COFANO / BONNET / CAPOT / MOTORHAUBE (BLUE)	1	
25	145 8730 000	F03.07620	SUPPORTO / SUPPORT / SUPPORT / HALTER	2	
26	145 8731 000	L03.03300	GUIDA SEDILE / SEAT GUIDE /	1	
27	145 4514 000	V11.03200	RONDELLA / WASHER / RONDELLE / BEILAGSCHEIBE	4	
28	145 0509 000	V02.01510	VITE / SCREW / VIS / SCHRAUBE	4	
29	145 2260 000	L03.03310	SEDILE / SEAT / SIEGE / SITZ	1	
29	145 1782 000	-	SEDILE CON MICRO / SEAT / SIEGE / SITZ	1	
30	145 0252 000	V19.00410	RONDELLA / WASHER / RONDELLE / BEILAGSCHEIBE	3	
31	145 8733 000	H01.22300	CARENATURA / COVER/ BATI / VERKLEIDUNG	1	
32	145 4639 000	-	CARENATURA / COVER/ BATI / VERKLEIDUNG	1	
33	145 9308 000	V11.02200	RONDELLA / WASHER / RONDELLE / BEILAGSCHEIBE	2	
34	145 9936 000	V03.00310	VITE / SCREW / VIS / SCHRAUBE	8	
35	145 1605 000	-	CRUSCOTTO / INSTRUMENT BOX / TABLEAU / INSTRUMENTENBRETT	1	
37	145 0253 000	V02.00410	VITE / SCREW / VIS / SCHRAUBE	2	
38	145 9960 000	V13.00410	DADO / NUT / ECROU / MUTTER	2	
39	145 0396 000	H01.25930	SUPPORTO FILTRO / FILTER SUPPORT / SUPPORT FILTRE/ FILTERHALTER	1	

# TAV. B / DRAW. B / VUE B / ZEICHN. B

KA33BR2

S32K40905Y(2)98 03



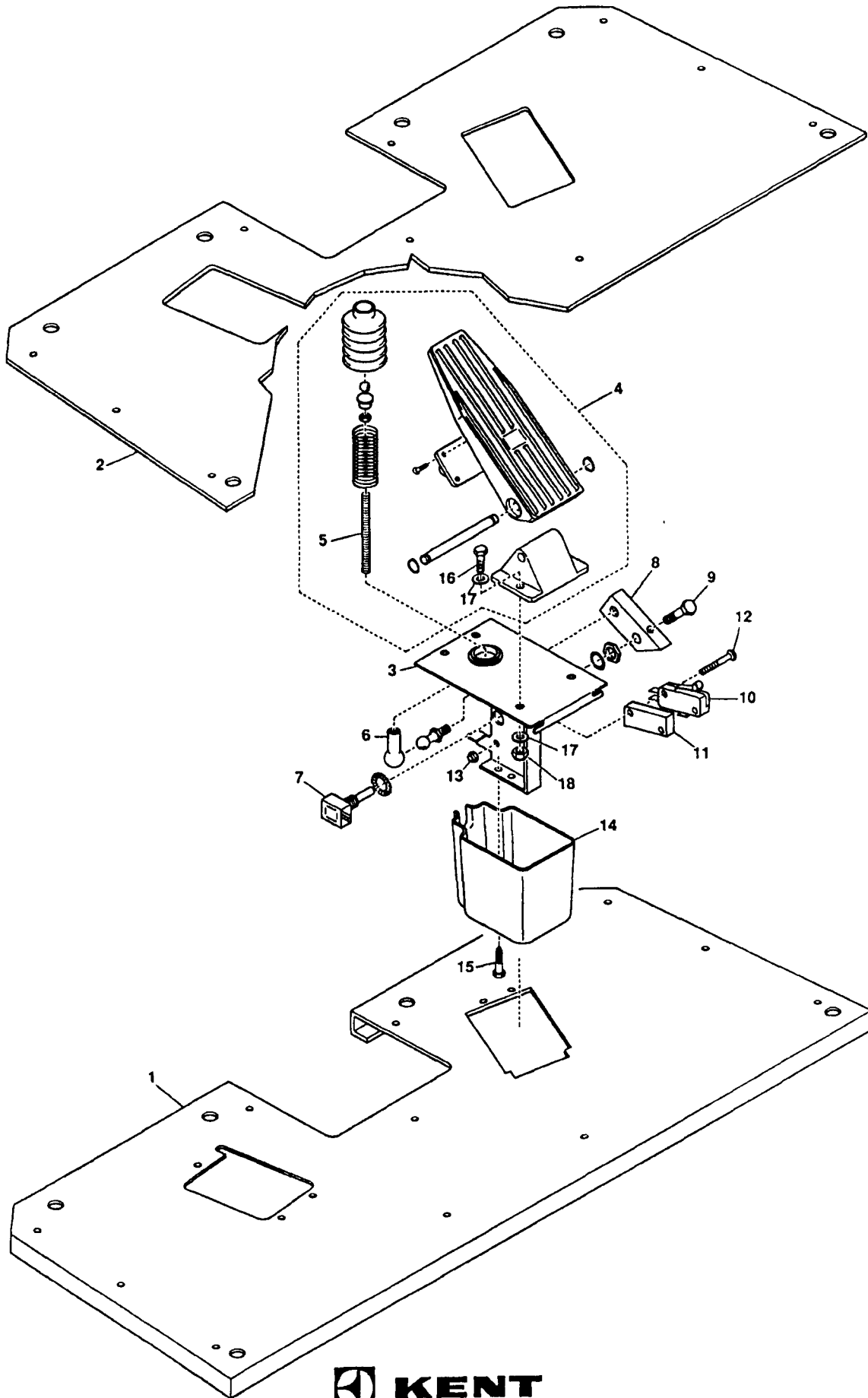
# TAV. B / DRAW. B / VUE B / ZEICHN. B

POSIZ. ITEM POS. EINSAT.	CODICE CODE CODE NUMMER	CODICE INTERNO INTERNAL CODE CODE INTERIEUR INTERNE NUMMER	DESCRIZIONE DESCRIPTION DESCRIPTION BEZEICHNUNG	KA33BR2 S32K40905X(2)98 83	
				B	O
40	145 8738 000	V20.009	FASCETTA / CLAMP / COLLIER / PASSRING	1	
41	145 4933 000	H02.32900	BANDELLA / MAGNETIC STRIP / JOINT MAGN. / MAGNETISCHER STREIF (L=350)	1	
42	145 4934 000	H02.33000	BANDELLA / MAGNETIC STRIP / JOINT MAGN. / MAGNETISCHER STREIF (L=375)	2	
43	145 0399 000	L02.16080	CERNIERA / HINGE / CHARNIERE / SCHARNIER	2	
44	145 9961 000	V09.00410	RONDELLA / WASHER / RONDELLE / BEILAGSCHEIBE	5	
45	145 8535 000	F03.51600	PIASTRA / PLATE / PLAQUE / PLATTE	2	
46	145 0394 000	H08.00100	CESTINO DI FONDO / FILTER / FILTRE / FILTER	2	
47	145 0556 000	H08.00170	COPRIDADO / COVER FOR NUT / COUVRE-ECROU / MUTTERTERKASTEN	2	
48	145 0253 000	V02.00410	VITE / SCREW / VIS / SCHRAUBE	1	
49	145 4693 000	-	PIASTRINA / PLATE / PLAQUE / LASCHE	2	
50	145 9308 000	V11.02200	RONDELLA / WASHER / RONDELLE / BEILAGSCHEIBE	8	
51	145 9959 000	V02.00310	VITE / SCREW / VIS / SCHRAUBE	4	

# TAV. C / DRAW. C / VUE C / ZEICHN. C

KA33BR2

S32K4090SY(2)98 03



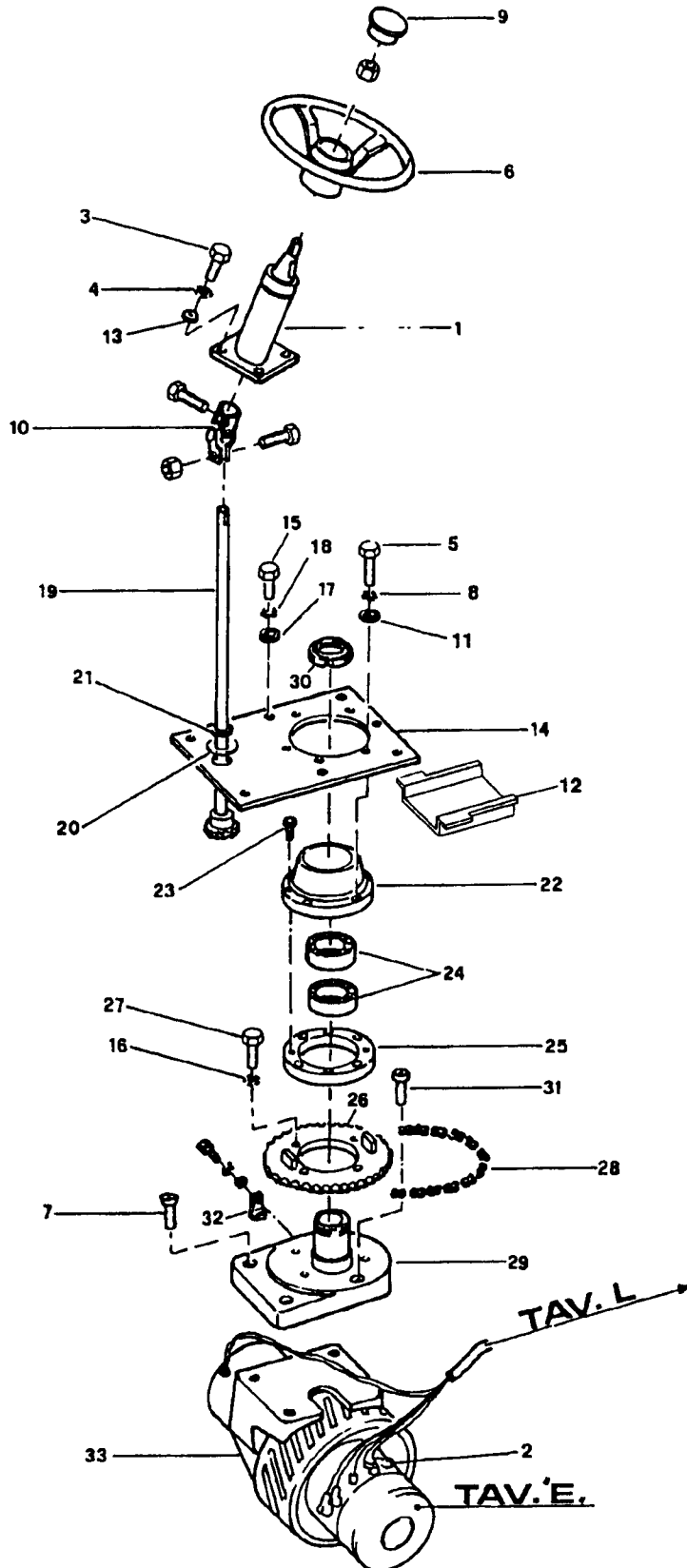
# TAV. C / DRAW. C / VUE C / ZEICHN. C

POSIZ. ITEM POS. EINSAT.	CODICE CODE CODE NUMMER	CODICE INTERNO INTERNAL CODE CODE INTERIEUR INTERNE NUMMER	DESCRIZIONE DESCRIPTION DESCRIPTION BEZEICHNUNG	KA33BR2 S32K4090SY(2)98 03	
				B	O
1	145 1611 000	-	PIANALE / LOWER FRAME / PLAT / PLATTFORM	1	
2	145 1613 000	-	COPERTURA / COVERING / ENVELOPPE / DECKUNG	1	
3	145 3523 000	F03.68730	PORTAPEDALE / PEDAL HOLDER / PORTE-PEDALE / PEDALHALTER	1	
4	145 3665 000	F04.20600	PEDALE / PEDAL / PEDALE / PEDAL	1	
5	145 4935 000	E02.68920	TIRANTE / TENSION ROD / TIRANT / ZUGSTANGE	1	
6	145 8479 000	V17.027	TESTA SNODATA / ARTICULATED HEAD / TETE PIVOTANTE / GELENKKOPF	1	
7	145 0283 000	G02.13660	POTENZIOMETRO / POTENTIOMETER / POTENTIOMETRE / POTENTIOMETER	1	
8	145 2950 000	E02.68830	BIELLA / CONNECTING ROD / BIELLE / FLUEGELSTANGE	1	
9	145 9141 000	V02.06700	VITE / SCREW / VIS / SCHRAUBE	1	
10	145 8221 000	G05.04900	MICROINTERRUPTORE / MICROSWITCH / MICROINTERRUPTEUR / MICROSCHALTER	1	
11	145 4936 000	E05.19180	DISTANZIALE / WASHER / RONDELLE / BEILAGSCHEIBE	1	
12	145 1162 000	V02.09803	VITE / SCREW / VIS / SCHRAUBE	2	
13	145 9124 000	V13.06000	DADO / NUT / ECROU / MUTTER	2	
14	145 4086 000	H02.34310	COPRIPEDALE / PEDAL COVER / HOUSSE PEDALE / PEDALDECKUNG	1	
15	145 4937 000	V05.01703	VITE / SCREW / VIS / SCHRAUBE	2	
16	145 0498 000	V02.00210	VITE / SCREW / VIS / SCHRAUBE	2	
17	145 9961 000	V09.00410	RONDELLA / WASHER / RONDELLE / BEILAGSCHEIBE	4	
18	145 9934 000	V13.01910	DADO / NUT / ECROU / MUTTER	2	

# TAV. D / DRAW. D / VUE D / ZEICHN. D

KA33BR2

S32K4090SY(2)98 03



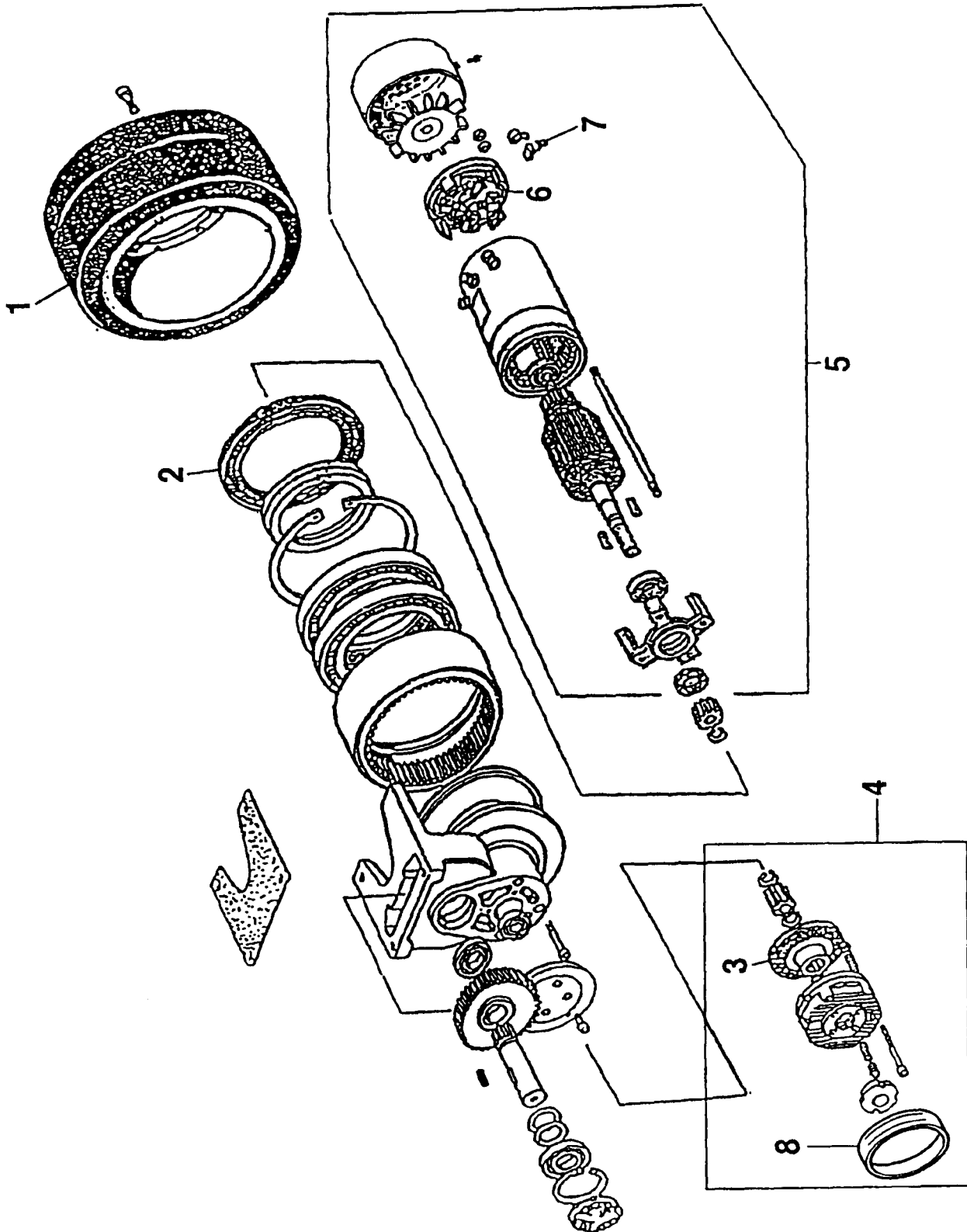
# TAV. D / DRAW. D / VUE D / ZEICHN. D

POSIZ. ITEM POS. EINSAT.	CODICE CODE CODE NUMMER	CODICE INTERNO INTERNAL CODE CODE INTERIEUR INTERNE NUMMER	DESCRIZIONE DESCRIPTION DESCRIPTION BEZEICHNUNG	KA33BR2	
				S32K4090SV(2)198 03	
				B	O
1	145 1946 000	-	COLONNETTA / SUPPORTING COLUMN / SUPPORT / BUNDSCHRAUBE	1	
2	145 8763 000	G07.00600	PROTEZIONE / GUARD / PROTECTION / SCHUTZ	4	
3	145 9476 000	V02.02210	VITE / SCREW / VIS / SCHRAUBE	4	
4	145 1195 000	V11.006	RONDELLA / WASHER / RONDELLE / BEILAGSCHEIBE	4	
5	145 0510 000	V02.05110	VITE / SCREW / VIS / SCHRAUBE	6	
6	145 1854 000	-	VOLANTE / STEERING WHEEL / VOLANT / LENKRAD	1	
7	145 1336 000	V03.06100	VITE / SCREW / VIS / SCHRAUBE	2	
8	145 8396 000	V19.00510	RONDELLA / WASHER / RONDELLE / BEILAGSCHEIBE	6	
9	145 8753 000	L02.12300	TAPPO / CAP / BOUCHON / PFROPFEN	1	
10	145 9619 000	E09.001	GIUNTO / JOINT / JOINT / KUPPLUNG	1	
11	145 9979 000	V09.00510	RONDELLA / WASHER / RONDELLE / BEILAGSCHEIBE	6	
12	145 8099 000	F03.69590	PIASTRA / PLATE / PLAQUE / PLATTE	1	
13	145 9966 000	V09.00610	RONDELLA / WASHER / RONDELLE / BEILAGSCHEIBE	4	
14	145 8754 000	F04.15700	SUPPORTO / SUPPORT / SUPPORT / HALTER	1	
15	145 0521 000	V02.01210	VITE / SCREW / VIS / SCHRAUBE	6	
16	145 4512 000	V11.005	RONDELLA / WASHER / RONDELLE / BEILAGSCHEIBE	4	
17	145 9961 000	V09.00410	RONDELLA / WASHER / RONDELLE / BEILAGSCHEIBE	6	
18	145 0252 000	V19.00410	RONDELLA / WASHER / RONDELLE / BEILAGSCHEIBE	6	
19	145 1595 000	-	ALBERO / SHAFT / ARBRE / WELLE	1	
20	145 9760 000	V09.009	RONDELLA / WASHER / RONDELLE / BEILAGSCHEIBE	1	
21	145 9191 000	V14.008	SEEGER / RETAINING RING / CIRCLIPS / SICHERUNGSRINGT	1	
22	145 8756 000	E02.64500	FLANGIA / FLANGE / FLASQUE / FLANSCH	1	
23	145 8095 000	V04.03610	VITE / SCREW / VIS / SCHRAUBE	2	
24	145 8757 000	E00.05500	CUSCINETTO / BALL BEARING / ROULEMENT / LAGER	2	
25	145 8758 000	E02.64600	FLANGIA / FLANGE / FLASQUE / FLANSCH	1	
26	145 8129 000	E06.04200	CORONA / CROWN / COURONNE / KRANZ	1	
27	145 9968 000	V02.01310	VITE / SCREW / VIS / SCHRAUBE	4	
28	145 8759 000	E07.03900	CATENA / CHAIN / CHAINE / KETTE	1	
29	145 8760 000	E02.64400	SUPPORTO / SUPPORT / SUPPORT / HALTER	1	
30	145 8761 000	V13.09000	GHIERA / NUT / ECROU / RING	1	
31	145 1337 000	V04.04400	VITE / SCREW / VIS / SCHRAUBE	2	
32	145 9298 000	F02.338	CAVALLOTTO / U-BOLT / ETRIER / VERBINDUNGSBRUECKE	2	
33	145 1594 000	-	MOTORUOTA / ELECTRIC WHEEL UNIT / MOTORUE / ELEKTRORADANTRIEB	1	

# TAV. E / DRAW. E / VUE E / ZEICHN. E

KA33BR2

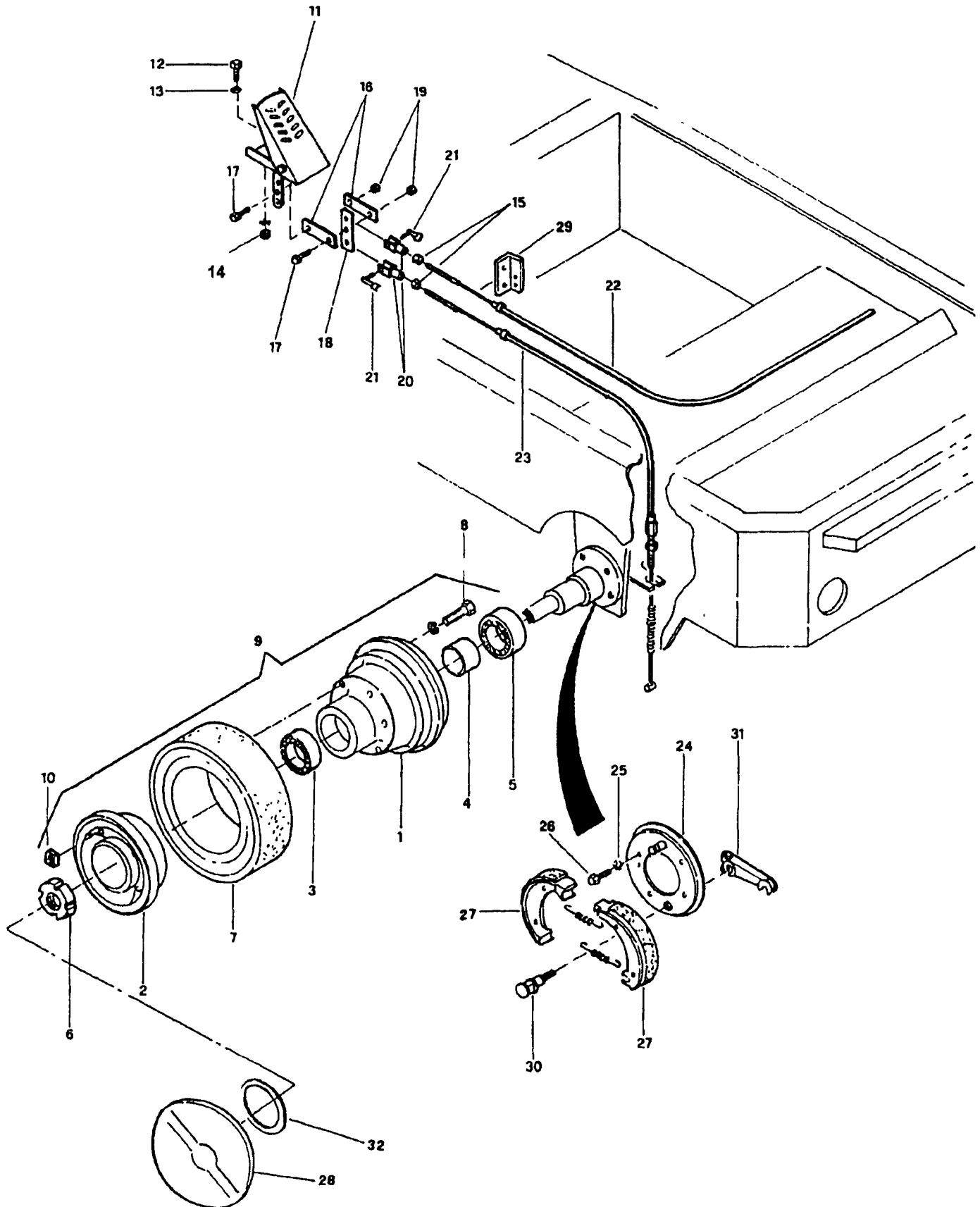
S32K40905Y(2)98 03





# TAV. E / DRAW. E / VUE E / ZEICHN. E

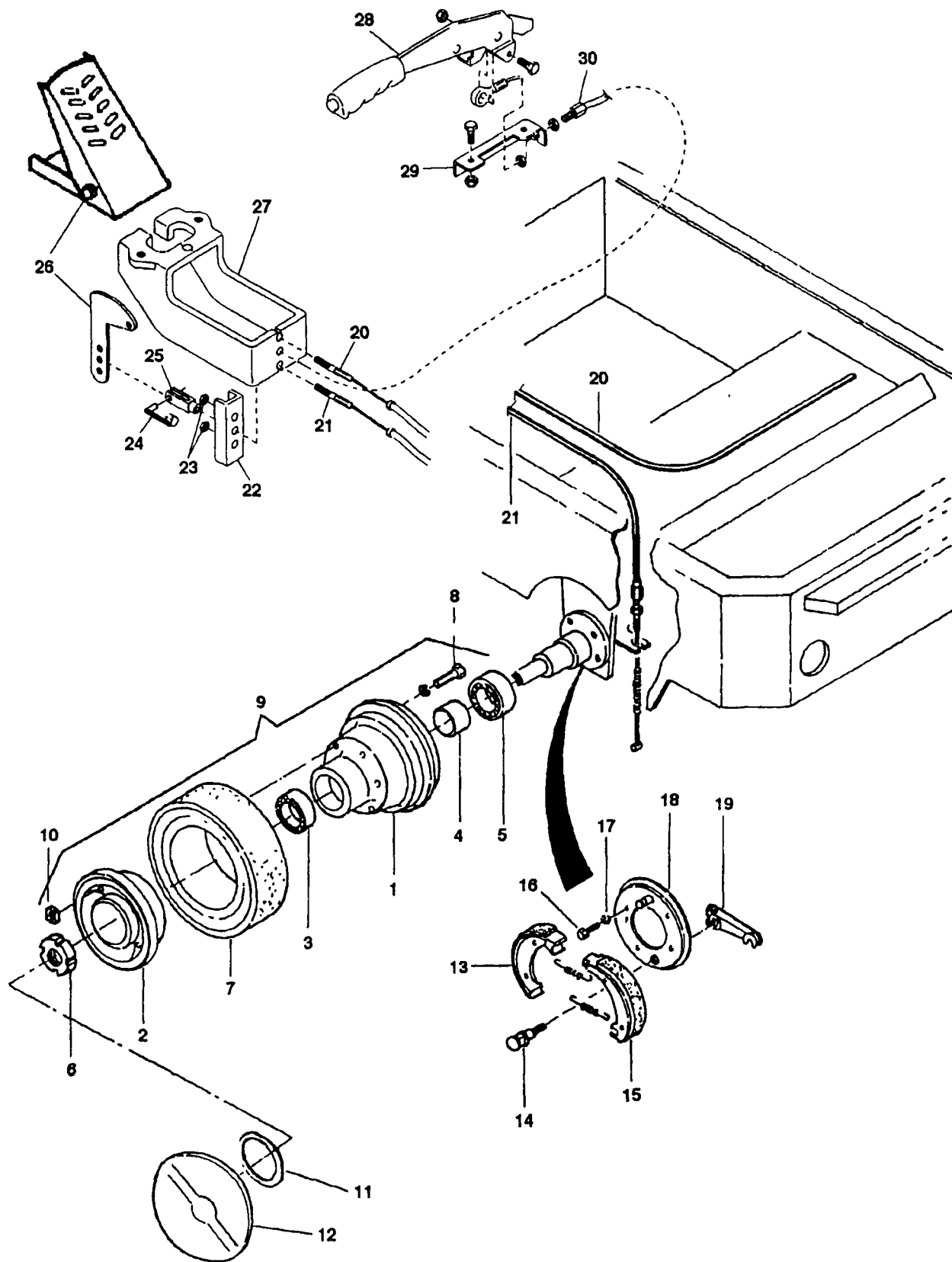
POSIZ. ITEM POS. EINSAT.	CODICE CODE CODE NUMMER	CODICE INTERNO INTERNAL CODE CODE INTERIEUR INTERNE NUMMER	DESCRIZIONE DESCRIPTION DESCRIPTION BEZEICHNUNG	KA33BR2 S32K4090SV12198-03	
				B	O
1	145 4949 000	-	RUOTA COMPLETA / WHEEL / ROUE / RAD BLACK	1	
2	145 4950 000	-	GUARNIZIONE / GASKET / JOINT / DICHTUNG	1	
3	145 1333 000	A07.09080	FERODO / PAD / FERODO / BREMSBELAG	1	
4	145 2209 000	A07.09090	FRENO ELET. / ELEC. BRAKE / FREIN ELECTR. / MAGNETBREMSE	1	
5	145 4951 000	-	MOTORE COMPLETO / MOTOR / MOTEUR / MOTOR	1	
6	145 8044 000	A07.09180	PORTASPAZZOLA / BRUSH HOLDER / PORTE BROUSSE / BURSTEHALTER	1	
7	145 1332 000	A07.09060	SPAZZOLA / BRUSH / BROUSSE / BUESTERE	4	
8	145 2211 000	A07.09110	PROTEZIONE IN GOMMA / GUARD / PROTECTION / SCHUTZ	1	



# TAV. F / DRAW. F / VUE F / ZEICHN. F

FINO A MATRICOLA N° 98140006

POSIZ. ITEM POS. EINSAT.	CODICE CODE CODE NUMMER	CODICE INTERNO INTERNAL CODE CODE INTERIEUR INTERNE NUMMER	DESCRIZIONE DESCRIPTION DESCRIPTION BEZEICHNUNG	B	O
1	145 8788 000	D01.01900	MOZZO / HUB / MOYEU / NABE	2	
2	145 8789 000	D01.008	SEMICERCHIO / SEMICIRCLE / DEMI-CERCLE / HALBFELGE	2	
3	145 8146 000	E00.003	CUSCINETTO / BALL BEARING / ROULEMENT / LAGER	2	
4	145 8790 000	E05.038	BUSSOLA / BUSH / FOURREAU / BUCHSE	2	
5	145 8134 000	E00.006	CUSCINETTO / BALL BEARING / ROULEMENT / LAGER	2	
6	145 9783 000	V13.09620	DADO / NUT / ECROU / MUTTER	2	
7	145 8792 000	D02.01600	GOMMA / RUBBER / CAOUTCHOU / GUMMI	2	
8	145 4953 000	V04.04903	VITE / SCREW / VIS / SCHRAUBE	12	
9	145 8793 000	D00.06000	RUOTA / WHEEL / ROUE / RAD	2	
9	145 4894 000	-	RUOTA / WHEEL / ROUE / RAD		2
10	145 4524 000	V13.07603	DADO / NUT / ECROU / MUTTER	12	
11	145 8794 000	L04.01800	FRENO / BRAKE / FREIN / BREMSE	1	
12	145 9959 000	V02.00310	VITE / SCREW / VIS / SCHRAUBE	3	
13	145 9961 000	V09.00410	RONDELLA / WASHER / RONDELLE / BEILAGSCHEIBE	3	
14	145 9934 000	V13.01910	DADO / NUT / ECROU / MUTTER	3	
15	145 9934 000	V13.01910	DADO / NUT / ECROU / MUTTER	2	
16	145 8795 000	F03.59200	TIRANTE / TENSION ROD / TIRANT / ZUGSTANGE	2	
17	145 9959 000	V02.00310	VITE / SCREW / VIS / SCHRAUBE	2	
18	145 8796 000	F03.59300	BILANCIERE / BALANCE / BALANCIER / SCHWINGHEBEL	1	
19	145 9934 000	V13.01910	DADO / NUT / ECROU / MUTTER	2	
20	145 9409 000	V17.06700	FORCELLA / FORK / FOURCHETTE / GABELSTUECK	2	
21	145 9410 000	V17.06800	CLIP / CIRCLIP / CLIP / KLIPP	2	
22	145 8797 000	E08.13200	CAVO / CABLE / CABLE / KABEL	1	
23	145 8798 000	E08.13300	CAVO / CABLE / CABLE / KABEL	1	
24	145 9756 000	L04.011	PORTACEPPI / BRAKE HOLDER / PORTE-CALES / SCHUHTRAEGER	2	
25	145 9961 000	V09.00410	RONDELLA / WASHER / RONDELLE / BEILAGSCHEIBE	8	
26	145 0498 000	V02.00210	VITE / SCREW / VIS / SCHRAUBE	8	
27	145 8799 000	L04.004	GANASCIA / SHOE / MACHOIRE / WANGE	4	
28	145 1377 000	H01.23901	COPERCHIO / LID COVER / COUVERCLE / DECKEL BLU	2	
28	145 3954 000	H01.24300	COPERCHIO / LID COVER / COUVERCLE / DECKEL GREY	2	
29	145 8801 000	F03.59400	FERMAGUAINA / SHEATH STOP / FERME-GAINE / HULSE HALTER	1	
30	145 8802 000	L04.005	CAMMA / CAM / CAME / KAMM	2	
31	145 8803 000	L04.006	LEVA / LEVER / LEVIER / HEBEL	2	
32	145 4135 000	H04.07900	GUARNIZIONE / GASKET / JOINT / DICHTUNG	2	



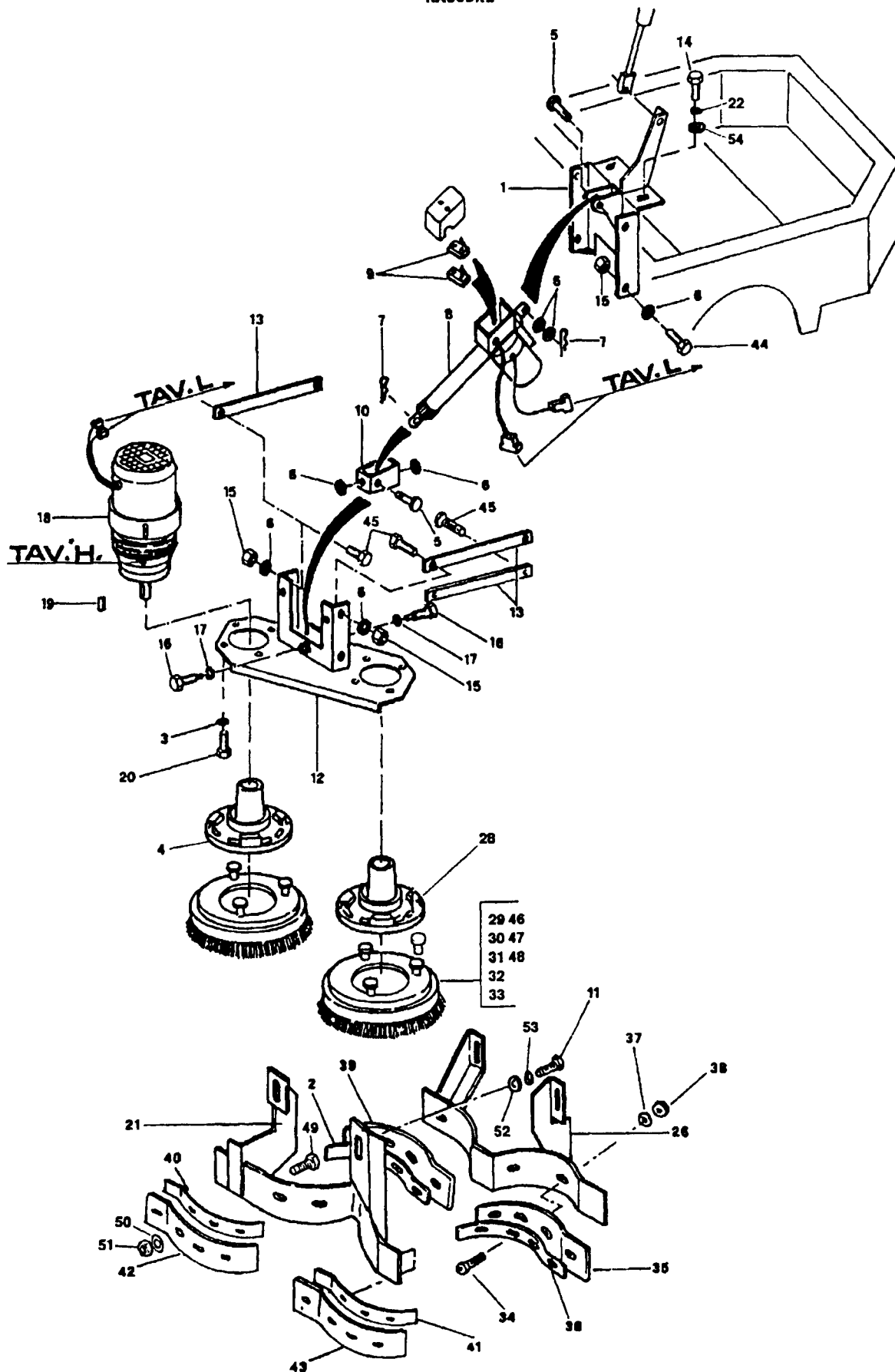
# TAV. F1 / DRAW. F1 / VUE F1 / ZEICHN. F1 DA MATRICOLA N°

POSIZ. ITEM POS. EINSAT.	CODICE CODE CODE NUMMER	CODICE INTERNO INTERNAL CODE CODE INTERIEUR INTERNE NUMMER	DESCRIZIONE DESCRIPTION DESCRIPTION BEZEICHNUNG	B	O
1	145 8788 000	D01.01900	MOZZO / HUB / MOYEU / NABE	2	
2	145 8789 000	D01.008	SEMICERCHIO / SEMICIRCLE / DEMI-CERCLE / HALBFELGE	2	
3	145 8146 000	E00.003	CUSCINETTO / BALL BEARING / ROULEMENT / LAGER	2	
4	145 8790 000	E05.038	BUSSOLA / BUSH / FOURREAU / BUCHSE	2	
5	145 8134 000	E00.006	CUSCINETTO / BALL BEARING / ROULEMENT / LAGER	2	
6	145 9783 000	V13.09620	DADO / NUT / ECROU / MUTTER	2	
7	145 8792 000	D02.01600	GOMMA / RUBBER / CAOUTCHOU / GUMMI	2	
8	145 4953 000	V04.04903	VITE / SCREW / VIS / SCHRAUBE	12	
9	145 8793 000	D00.06000	RUOTA / WHEEL / ROUE / RAD	2	
9	145 4894 000	-	RUOTA / WHEEL / ROUE / RAD		2
10	145 4524 000	V13.07603	DADO / NUT / ECROU / MUTTER	12	
11	145 4135 000	H04.07900	GUARNIZIONE / GASKET / JOINT / DICHTUNG	2	
12	145 1377 000	H01.23901	COPERCHIO BLUE / LID COVER / COUVERCLE / DECKEL	2	
13	145 8799 000	L04.004	GANASCIA / SHOE / MACHOIRE / WANGE	4	
14	145 8802 000	L04.005	CAMMA / CAM / CAME / KAMM	2	
15	145 8799 000	L04.004	GANASCIA / SHOE / MACHOIRE / WANGE	4	
16	145 0498 000	V02.00210	VITE / SCREW / VIS / SCHRAUBE	8	
17	145 9961 000	V09.00410	RONDELLA / WASHER / RONDELLE / BEILAGSCHEIBE	8	
18	145 9756 000	L04.011	PORTACEPPI / BRAKE HOLDER / PORTE-CALES / SCHUHTRAEGER	2	
19	145 8803 000	L04.006	LEVA / LEVER / LEVIER / HEBEL	2	
20	145 8797 000	E08.13200	CAVO / CABLE / CABLE / KABEL	1	
21	145 8798 000	E08.13300	CAVO / CABLE / CABLE / KABEL	1	
22	145 4866 000	-	BILANCIERE / BALANCE / BALANCIER / SCHWINGHEBEL	1	
23	145 9960 000	V13.00410	DADO / NUT / ECROU / MUTTER M6	2	
24	145 4536 000	V17.008	CLIP / CIRCLIP / CLIP / KLIPP M6	1	
25	145 4535 000	V17.007	FORCELLA / FORK / FOURCHETTE / GABELSTUECK	1	
26	145 4885 000	-	PEDALE FRENO / PEDAL / PEDALE / PEDAL	1	
27	145 4865 000	-	STAFFA REAZIONE CAVO FRENO / HANGER / ETRIER / BUGEL	1	
28	145 1783 000	-	LEVA FRENO / LEVER / LEVIER / HEBEL	1	
29	145 1956 000	-	PIASTRA / PLATE / PLAQUE / PLATTE	1	
30	145 4867 000	-	CAVO FRENO A MANO / CABLE / CABLE / KABEL	2	

# TAV. G / DRAW. G / VUE G / ZEICHN. G

KA33BR2

532K40905V



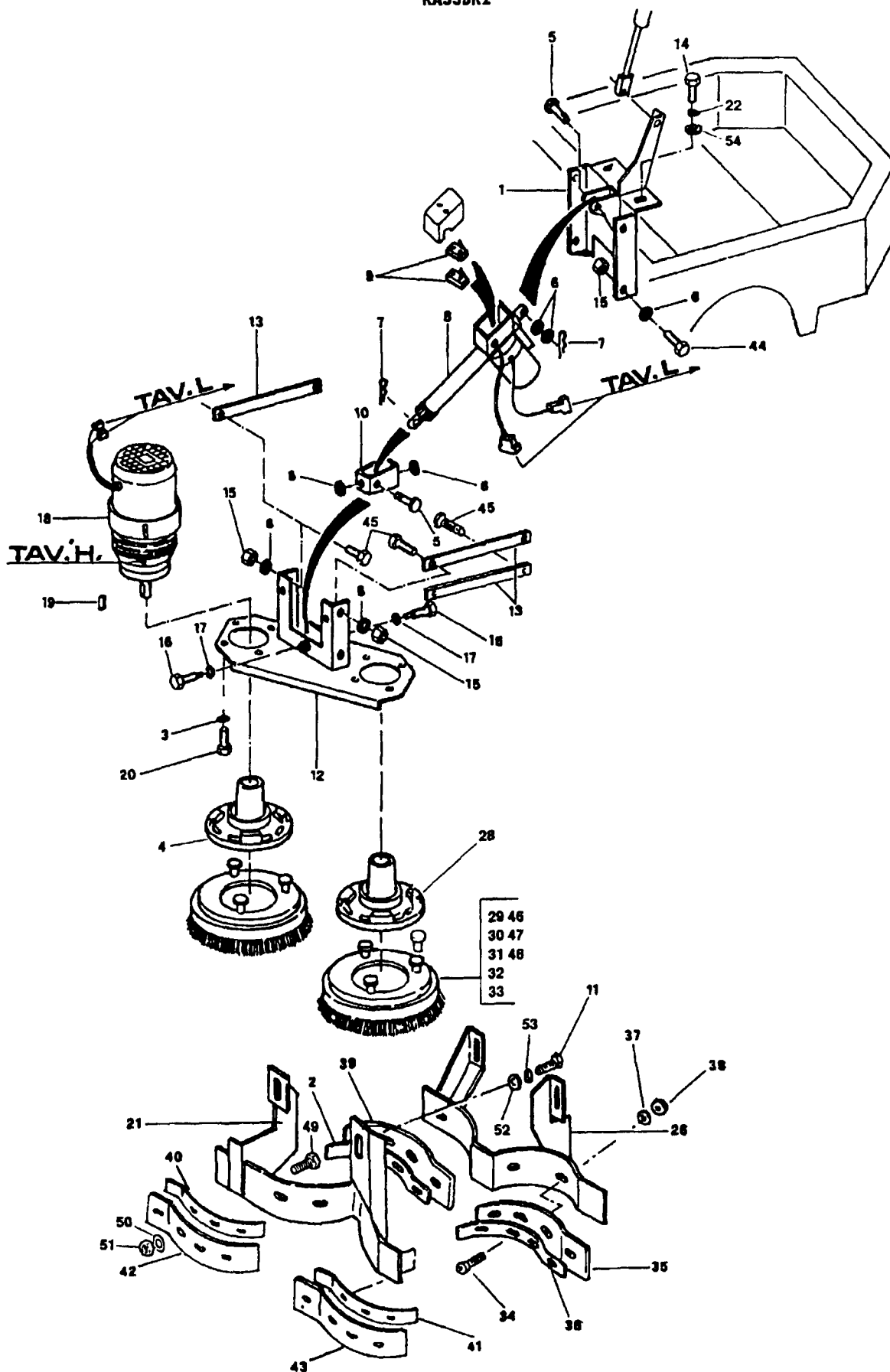
# TAV. G / DRAW. G / VUE G / ZEICHN. G

POSIZ. ITEM POS. EINSAT.	CODICE CODE CODE NUMMER	CODICE INTERNO INTERNAL CODE CODE INTERIEUR INTERNE NUMMER	DESCRIZIONE DESCRIPTION DESCRIPTION BEZEICHNUNG	KA33BR2 532K409051(2)98 03	
				B	O
1	145 1596 000	-	PIASTRA / PLATE / PLAQUE / PLATTE	1	
2	145 8805 000	F03.58600	PIATTINA / PLATE / PLAQUE / BAND	2	
3	145 8396 000	V19.00510	RONDELLA / WASHER / RONDELLE / BEILAGSCHEIBE	8	
4	145 4707 000	RDIAORE26	MOZZO / HUB / MOYEU / NABE (DX)	1	
5	145 8806 000	E02.49500	PERNO / PIN / AXE / STIFT	2	
6	145 9473 000	V09.01410	RONDELLA / WASHER / RONDELLE / BEILAGSCHEIBE	12	
7	145 4533 000	V15.01403	COPIGLIA / SPLIT PIN / GOUPILLE / SPLINT	2	
8	145 8807 000	A12.00100	MARTINETTO / ACTUATOR / VERIN / WAGENHEBER	1	
9	145 8808 000	G05.10000	MICROINT. / MICROSWITCH / MICROINTERRUPTEUR / MICROSCHALTER	3	
10	145 8809 000	F03.53700	SNODO / LINK / JOINT / GELENK	1	
11	145 0478 000	V02.01410	VITE / SCREW / VIS / SCHRAUBE	8	
12	145 8810 000	F04.15800	PIASTRA / PLATE / PLAQUE / PLATTE	1	
13	145 8811 000	F03.53500	LEVA / LEVER / LEVIER / HEBEL	4	
14	145 0478 000	V02.01410	VITE / SCREW / VIS / SCHRAUBE	5	
15	145 0466 000	V13.02110	DADO / NUT / ECROU / MUTTER	8	
16	145 2496 000	E02.49600	VITE / SCREW / VIS / SCHRAUBE	2	
17	145 9471 000	V19.00710	RONDELLA / WASHER / RONDELLE / BEILAGSCHEIBE	2	
18	145 8812 000	A05.00800	MOTORID. / REDUCTION GEAR / MOTORED. / VERMINDERUNGSGETRIEBE	2	
19	145 8065 000	V17.06900	LINGUETTA / TAB / CLAVETTE / KEIL	2	
20	145 0521 000	V02.01210	VITE / SCREW / VIS / SCHRAUBE	8	
21	145 8813 000	F03.54700	CENTRAG. SPAZ. / BRUSH CENTERING / CENTR. BROSS. BURSTE ZENTR.	1	
22	145 4512 000	V11.005	RONDELLA / WASHER / RONDELLE / BEILAGSCHEIBE	5	
26	145 8814 000	F03.54600	CENTRAG. SPAZ. / BRUSH CENTERING / CENTR. BROSS. BURSTE ZENTR.	1	
28	145 4708 000	RDIAORE27	MOZZO / HUB / MOYEU / NABE (SX)	1	
29	145 0096 000	B04.01700	SPAZZOLA / BRUSH / BROSS. / BUERSTE STD		2
30	145 0041 000	B04.02100	SPAZZOLA / BRUSH / BROSS. / BUERSTE SOFT		2
31	145 0042 000	B04.02200	SPAZZOLA / BRUSH / BROSS. / BUERSTE UNION MIX		2
32	145 0063 000	B04.02800	SPAZZOLA / BRUSH / BROSS. / BUERSTE TYNEX		2
33	145 0043 000	B04.02000	DISCO TRASCINAT. / PAD HOLDER / DISQUE D'ENTRAIN. / TREIBTELLER		2
34	145 9936 000	V03.00310	VITE / SCREW / VIS / SCHRAUBE	8	
35	145 8818 000	H02.28700	FLAP / FLAP / FLAP / FLAP GUMMI	1	
36	145 8817 000	F03.58700	PIATTINA / PLATE / PLAQUE / BAND	1	
37	145 9961 000	V09.00410	RONDELLA / WASHER / RONDELLE / BEILAGSCHEIBE	8	
38	145 9934 000	V13.01910	DADO / NUT / ECROU / MUTTER	8	
39	145 8816 000	H02.28600	FLAP / FLAP / FLAP / FLAP GUMMI	1	
40	145 8805 000	F03.58600	PIATTINA / PLATE / PLAQUE / BAND	1	
41	145 8817 000	F03.58700	PIATTINA / PLATE / PLAQUE / BAND	1	
42	145 8818 000	H02.28700	FLAP / FLAP / FLAP / FLAP GUMMI	1	
43	145 8816 000	H02.28600	FLAP / FLAP / FLAP / FLAP GUMMI	1	
44	145 8086 000	V02.11700	VITE / SCREW / VIS / SCHRAUBE	4	
45	145 8068 000	V02.018	VITE / SCREW / VIS / SCHRAUBE	4	
46	145 2311 000	B04.04600	DISCO / PAD / DISQUE / DISK BLACK		2
47	145 2315 000	B04.05000	DISCO / PAD / DISQUE / DISK RED		2
48	145 2316 000	B04.05100	DISCO / PAD / DISQUE / DISK GREEN		2

# TAV. G / DRAW. G / VUE G / ZEICHN. G

KA33BR2

532K409051(2)98 03





# TAV. G / DRAW. G / VUE G / ZEICHN. G

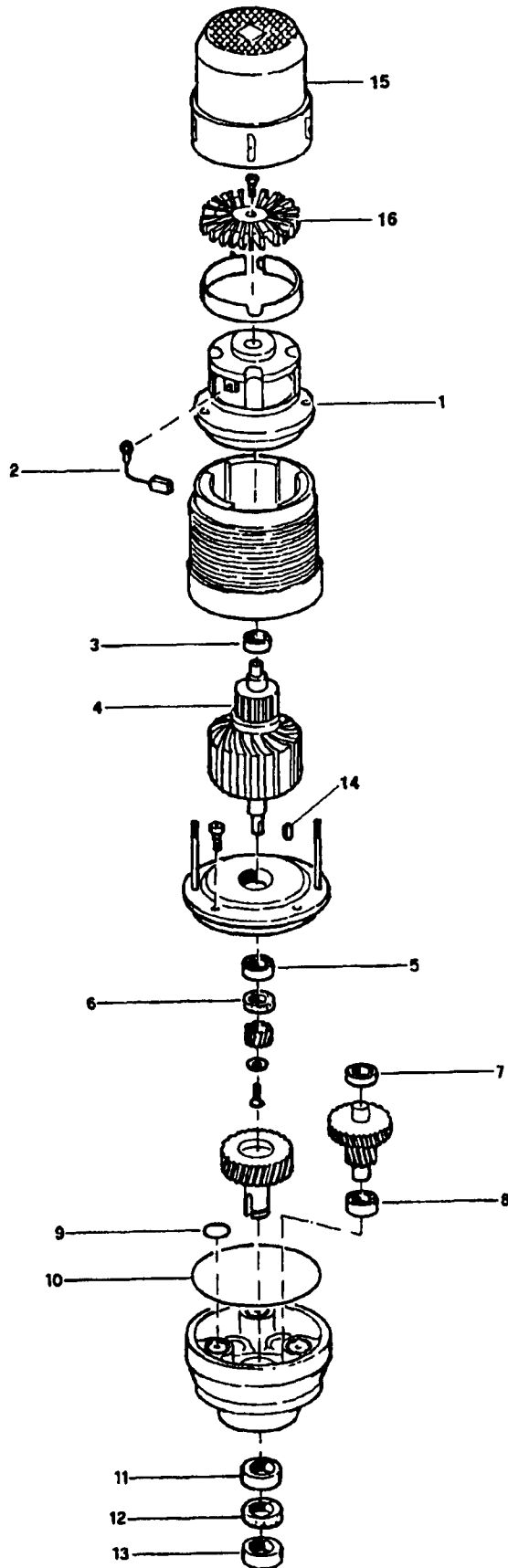
POSIZ. ITEM POS. EINSAT.	CODICE CODE CODE NUMMER	CODICE INTERNO INTERNAL CODE CODE INTERIEUR INTERNE NUMMER	DESCRIZIONE DESCRIPTION DESCRIPTION BEZEICHNUNG	B	O
49	145 9936 000	V03.00310	VITE / SCREW / VIS / SCHRAUBE	8	
50	145 9961 000	V09.00410	RONDELLA / WASHER / RONDELLE / BEILAGSCHEIBE	8	
51	145 9934 000	V13.01910	DADO / NUT / ECROU / MUTTER	8	
52	145 8395 000	V09.02010	RONDELLA / WASHER / RONDELLE / BEILAGSCHEIBE	8	
53	145 4512 000	V11.005	RONDELLA / WASHER / RONDELLE / BEILAGSCHEIBE	8	
54	145 1344 000	V09.05910	RONDELLA / WASHER / RONDELLE / BEILAGSCHEIBE	5	

KA33BR2  
S32KA0905Y12198 03

# TAV. H / DRAW. H / VUE H / ZEICHN. H

KA33BR2

S32X40905Y(2)P8 03



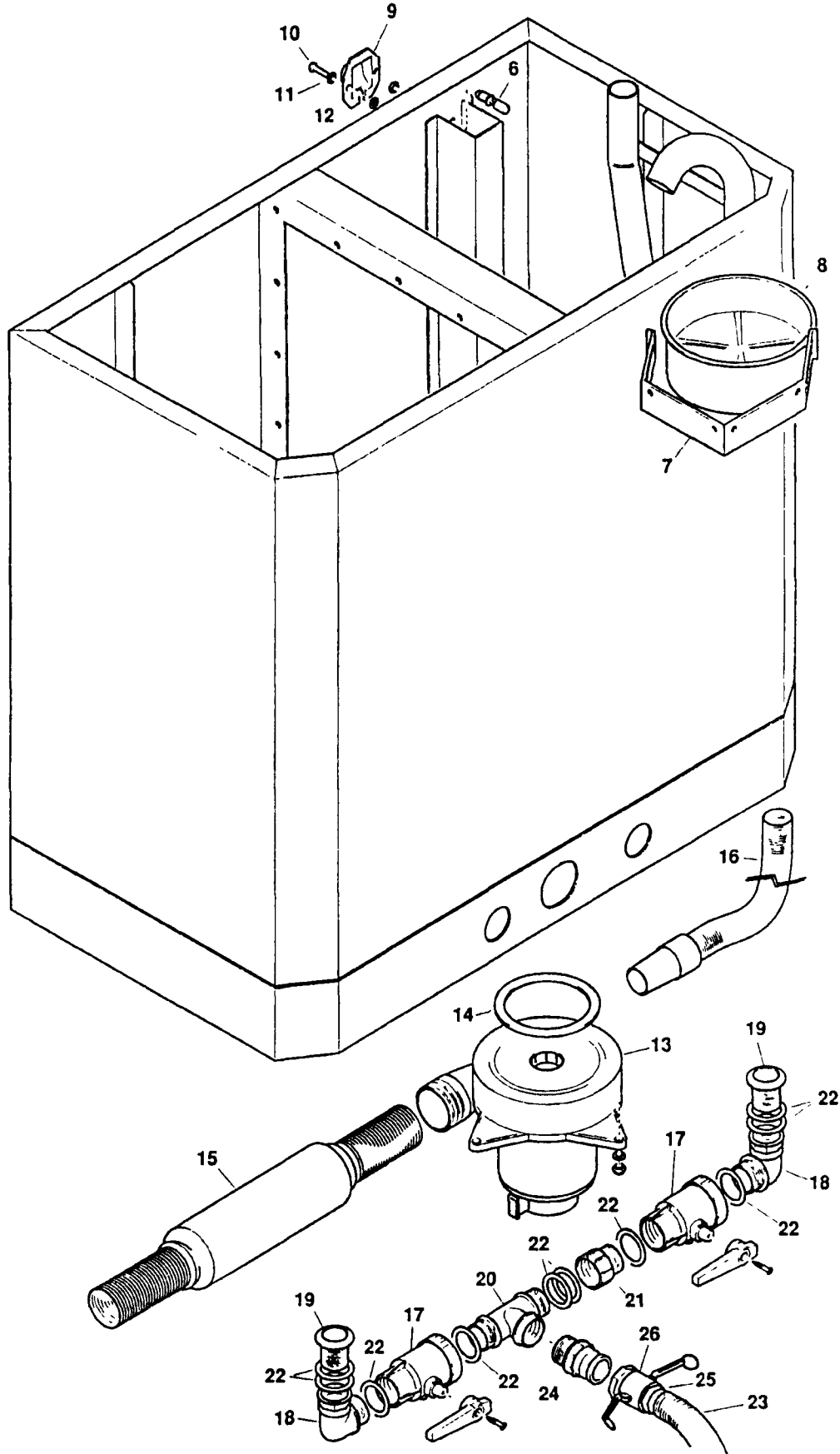
# TAV. H / DRAW. H / VUE H / ZEICHN. H

POSIZ. ITEM POS. EINSAT.	CODICE CODE CODE NUMMER	CODICE INTERNO INTERNAL CODE CODE INTERIEUR INTERNE NUMMER	DESCRIZIONE DESCRIPTION DESCRIPTION BEZEICHNUNG	KA33BR2 S32K409051(2)98 03	
				B	O
1	145 8819 000	A11.01000	PORTASPAZZOLE / BRUSH HOLDER / PORTE BROSSSE / BURSTEHALTER	1	
2	145 2169 000	A07.00300	SPAZZOLA / BRUSH / BROSSSE / BUERSTE	4	
3	145 8611 000	E00.06100	CUSCINETTO / BALL BEARING / ROULEMENT / LAGER	1	
4	145 8820 000	A11.01200	INDOTTO / ROTOR / INDUIT / ANKER	1	
5	145 8821 000	E00.06200	CUSCINETTO / BALL BEARING / ROULEMENT / LAGER	1	
6	145 8822 000	H04.07500	GUARNIZIONE / GASKET / JOINT / DICHTUNG	1	
7	145 8823 000	E00.06300	CUSCINETTO / BALL BEARING / ROULEMENT / LAGER	3	
8	145 8824 000	E00.06400	CUSCINETTO / BALL BEARING / ROULEMENT / LAGER	3	
9	145 8825 000	H04.07600	GUARNIZIONE / GASKET / JOINT / DICHTUNG	3	
10	145 8826 000	H04.07700	GUARNIZIONE / GASKET / JOINT / DICHTUNG	1	
11	145 8827 000	E00.06500	CUSCINETTO / BALL BEARING / ROULEMENT / LAGER	1	
12	145 8828 000	H04.07800	GUARNIZIONE / GASKET / JOINT / DICHTUNG	1	
13	145 8829 000	E00.06600	CUSCINETTO / BALL BEARING / ROULEMENT / LAGER	1	
14	145 8065 000	V17.06900	LINGUETTA / TAB / CLAVETTE / KEIL	1	
15	145 0243 000	A11.04810	COPERCHIO / LID COVER / COUVERCLE / DECKEL	1	
16	145 0244 000	A11.04820	VENTOLA / FAN / VENT / FLÜGEL	1	

# TAV. I / DRAW. I / VUE I / ZEICHN. I

KA33BR2

S32K4090SY(2)98 03



 **KENT**

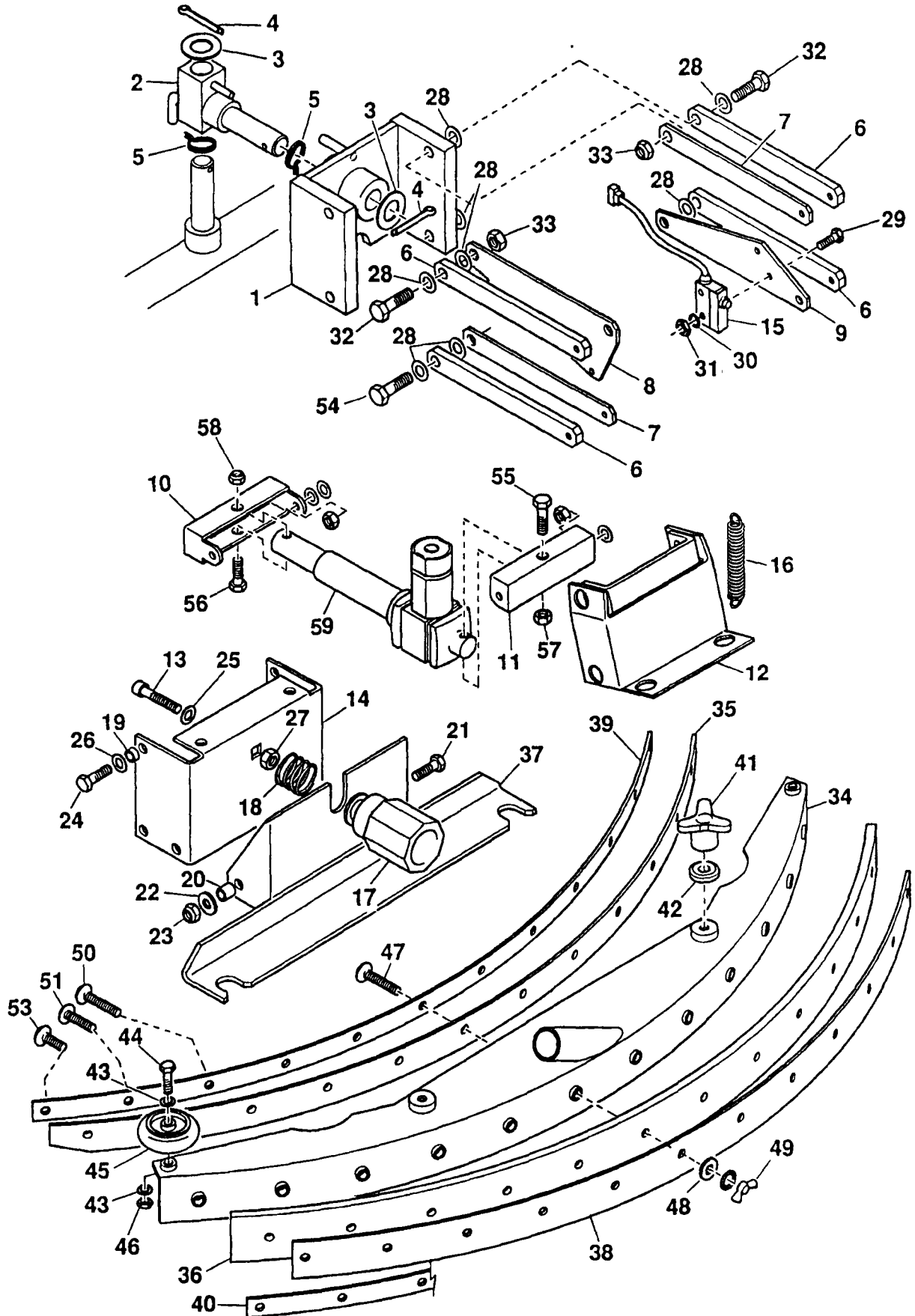
# TAV. I / DRAW. I / VUE I / ZEICHN. I

POSIZ. ITEM POS. EINSAT.	CODICE CODE CODE NUMMER	CODICE INTERNO INTERNAL CODE CODE INTERIEUR INTERNE NUMMER	DESCRIZIONE DESCRIPTION DESCRIPTION BEZEICHNUNG	KA33BR2	
				B	O
6	145 8494 000	G05.09200	GALLEGGIANTE / FLOAT / FLOTTEUR / SCHWIMMER	1	
7	145 3487 000	F03.62900	SUPPORTO / SUPPORT / SUPPORT / HALTER	1	
8	145 4967 000	-	FILTRO / FILTER / FILTRE / FILTER	1	
9	145 8915 000	H01.25000	PROTEZIONE / GUARD / PROTECTION / SCHUTZ	1	
10	145 9649 000	V01.02500	VITE / SCREW / VIS / SCHRAUBE	2	
11	145 9955 000	V09.00310	RONDELLA / WASHER / RONDELLE / BEILAGSCHEIBE	2	
12	145 8281 000	V13.01810	DADO / NUT / ECROU / MUTTER	2	
13	145 1616 000	-	ASPIRATORE / VACUUM MOTOR / ASPIRATEUR / SAUGER	1	
14	145 4941 000	-	GUARNIZIONE / GASKET / JOINT / DICHTUNG (L=430)	1	
15	145 4564 000	X60.005AA	TUBO / PIPE / TUYAU / SCHLAUCH	1	
16	145 1702 000	H06.03780	TUBO / PIPE / TUYAU / SCHLAUCH	1	
17	145 8842 000	A03.08600	VALVOLA / VALVE / CLAPET / VENTIL	2	
18	145 1598 000	-	RACCORDO CURVO / CONNECTOR / RACCORD / ANSCHLUß	2	
19	145 4850 000	-	BOCCHETTONE / PIPE UNION / GOULOTTE / STUTZEN	2	
20	145 1599 000	-	RACCORDO / CONNECTOR / RACCORD / ANSCHLUß "T"	1	
21	145 1600 000	-	RIDUZIONE / REDUCTION / REDUCTION / REDUKTION	1	
22	145 1601 000	-	GUARNIZIONE / GASKET / JOINT / DICHTUNG	11	
23	145 8274 000	H06.03500	TUBO / PIPE / TUYAU / SCHLAUCH	1	
24	145 8841 000	M03.24500	SEMIRACCORDO / SEMIJOINT / SEMI JOINT / HALBANSCHLUSS	1	
25	145 8236 000	M03.24600	PORTAGOMMA / PIPE HOLDER / RACCORD / GUMMIHALTER	1	
26	145 8235 000	M03.24400	SEMIRACCORDO / SEMIJOINT / SEMI JOINT / HALBANSCHLUSS	1	

# TAV. J / DRAW. J / VUE J / ZEICHN. J

KA33BR2

S32K4090SY(2)P8 03



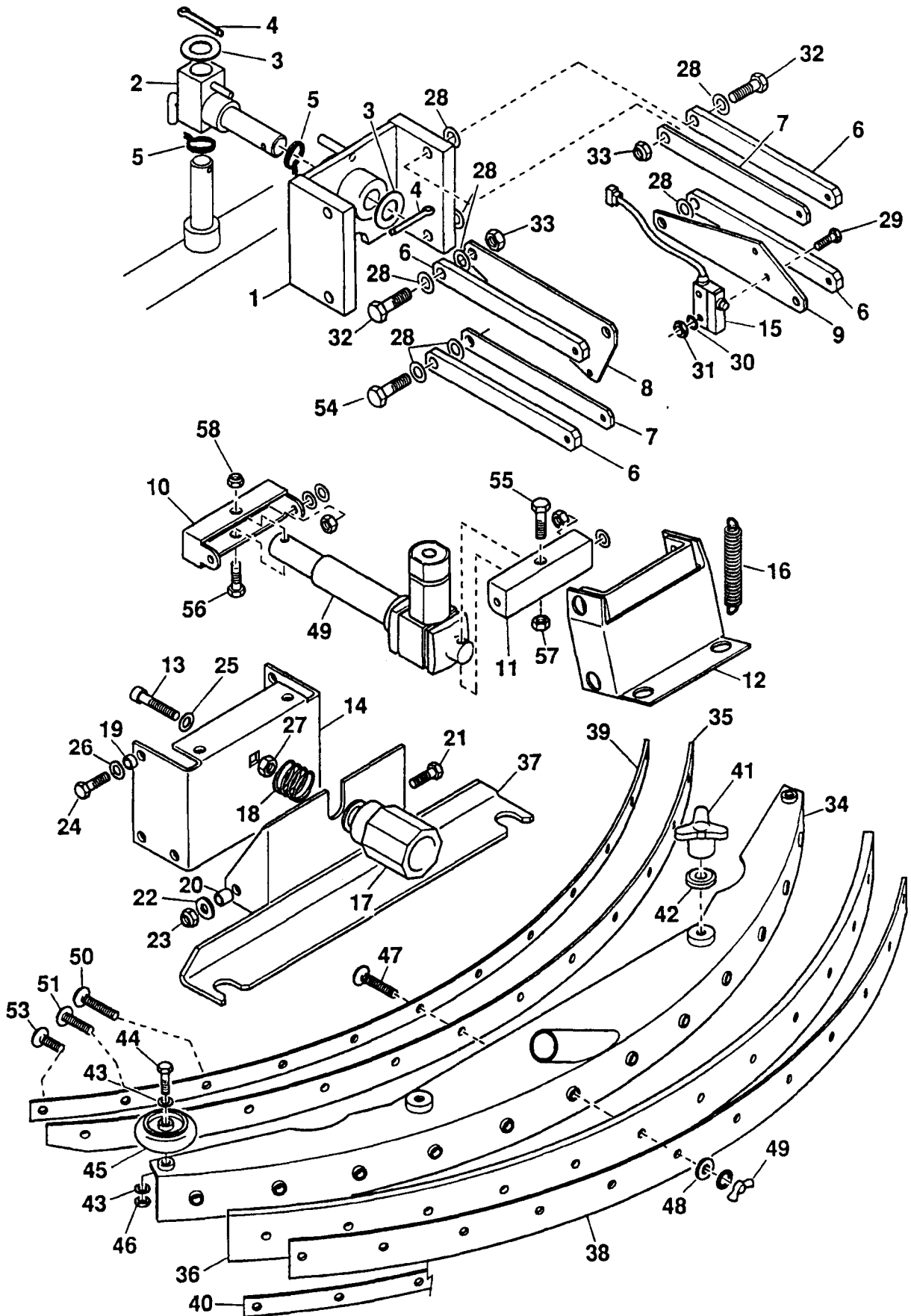
# TAV. J / DRAW. J / VUE J / ZEICHN. J

POSIZ. ITEM POS. EINSAT.	CODICE CODE CODE NUMMER	CODICE INTERNO INTERNAL CODE CODE INTERIEUR INTERNE NUMMER	DESCRIZIONE DESCRIPTION DESCRIPTION BEZEICHNUNG	KA33BR2 S32K409051(2)98 03	
				B	O
1	145 4628 000	-	PIASTRA / PLATE / PLAQUE / PLATTE	1	
2	145 8848 000	F04.16000	SNODO / LINK / JOINT / GELENK	1	
3	145 8345 000	V09.04800	RONDELLA / WASHER / RONDELLE / BEILAGSCHEIBE	2	
4	145 8564 000	V15.01603	COPIGLIA / SPLIT PIN / GOUPILLE / SPLINT	2	
5	145 8849 000	E04.08400	MOLLA / SPRING / RESSORT / FEDER	2	
6	145 4629 000	-	LEVA / LEVER / LEVIER / HEBEL	4	
7	145 4627 000	-	LEVA / LEVER / LEVIER / HEBEL	2	
8	145 4625 000	-	STAFFA / HANGER / ETRIER / BÜGEL	1	
9	145 4624 000	-	STAFFA / HANGER / ETRIER / BÜGEL	1	
10	145 1592 000	-	STAFFA / HANGER / ETRIER / BÜGEL	1	
11	145 1593 000	-	VITE / SCREW / VIS / SCHRAUBE	1	
12	145 4626 000	-	STAFFA / HANGER / ETRIER / BÜGEL	1	
13	145 1326 000	V06.00210	VITE / SCREW / VIS / SCHRAUBE	1	
14	145 4630 000	-	STAFFA / HANGER / ETRIER / BÜGEL	1	
15	145 8854 000	G05.10300	MICROINT. / MICROSWITCH / MICROINTERRUPTEUR / MICROSCHALTER	2	
16	145 1331 000	E04.09470	MOLLA / SPRING / RESSORT / FEDER	2	
17	145 1328 000	L02.16040	VOLANTINO / KNOB / MOLETTE / HANDRAD	1	
18	145 1327 000	E04.09480	MOLLA / SPRING / RESSORT / FEDER	1	
19	145 1252 000	E05.19170	DISTANZIALE / WASHER / RONDELLE / BEILAGSCHEIBE	4	
20	145 1330 000	E05.19160	DISTANZIALE / WASHER / RONDELLE / BEILAGSCHEIBE	2	
21	145 0492 000	V02.00510	VITE / SCREW / VIS / SCHRAUBE	2	
22	145 0246 000	V09.02210	RONDELLA / WASHER / RONDELLE / BEILAGSCHEIBE	4	
23	145 9934 000	V13.01910	DADO / NUT / ECROU / MUTTER	2	
24	145 9959 000	V02.00310	VITE / SCREW / VIS / SCHRAUBE	4	
25	145 9966 000	V19.00610	RONDELLA / WASHER / RONDELLE / BEILAGSCHEIBE	1	
26	145 0246 000	V09.02210	RONDELLA / WASHER / RONDELLE / BEILAGSCHEIBE	4	
27	145 4526 000	V13.08900	DADO / NUT / ECROU / MUTTER	1	
28	145 9966 000	V09.00610	RONDELLA / WASHER / RONDELLE / BEILAGSCHEIBE	10	
29	145 0146 000	V02.09510	VITE / SCREW / VIS / SCHRAUBE	4	
30	145 4555 000	V19.00210	RONDELLA / WASHER / RONDELLE / BEILAGSCHEIBE	4	
31	145 9237 000	V09.04200	RONDELLA / WASHER / RONDELLE / BEILAGSCHEIBE	4	
32	145 4946 000	V02.12980	VITE / SCREW / VIS / SCHRAUBE	2	
33	145 0466 000	V13.02110	DADO / NUT / ECROU / MUTTER	4	
34	145 1909 000	-	CORPO TERGITORE / SQUEEGEE / CORP DE SOUCEUR / SAUGFUSS	1	
35	145 8862 000	H02.28900	GOMMA / RUBBER / CAOUTCHOU / GUMMI	1	
36	145 4713 000	-	GOMMA / RUBBER / CAOUTCHOU / GUMMI	1	
37	145 4631 000	-	SUPPORTO / SUPPORT / SUPPORT / HALTER	1	
38	145 4863 000	-	GOMMA RINFORZO / RUBBER / CAOUTCHOU / GUMMI	1	
39	145 8861 000	F03.59600	BANDELLA METALLICA / BUSS BAR / BANDE / STAHLBAND	1	
40	145 8864 000	F03.59700	BANDELLA METALLICA / BUSS BAR / BANDE / STAHLBAND	1	
41	145 1949 000	-	VOLANTINO / KNOB / MOLETTE / HANDRAD	2	
42	145 2699 000	E05.19120	DISTANZIALE / WASHER / RONDELLE / BEILAGSCHEIBE	2	
43	145 9979 000	V09.00510	RONDELLA / WASHER / RONDELLE / BEILAGSCHEIBE	4	

# TAV. J / DRAW. J / VUE J / ZEICHN. J

KA33BR2

532X4090SY(2)98 03





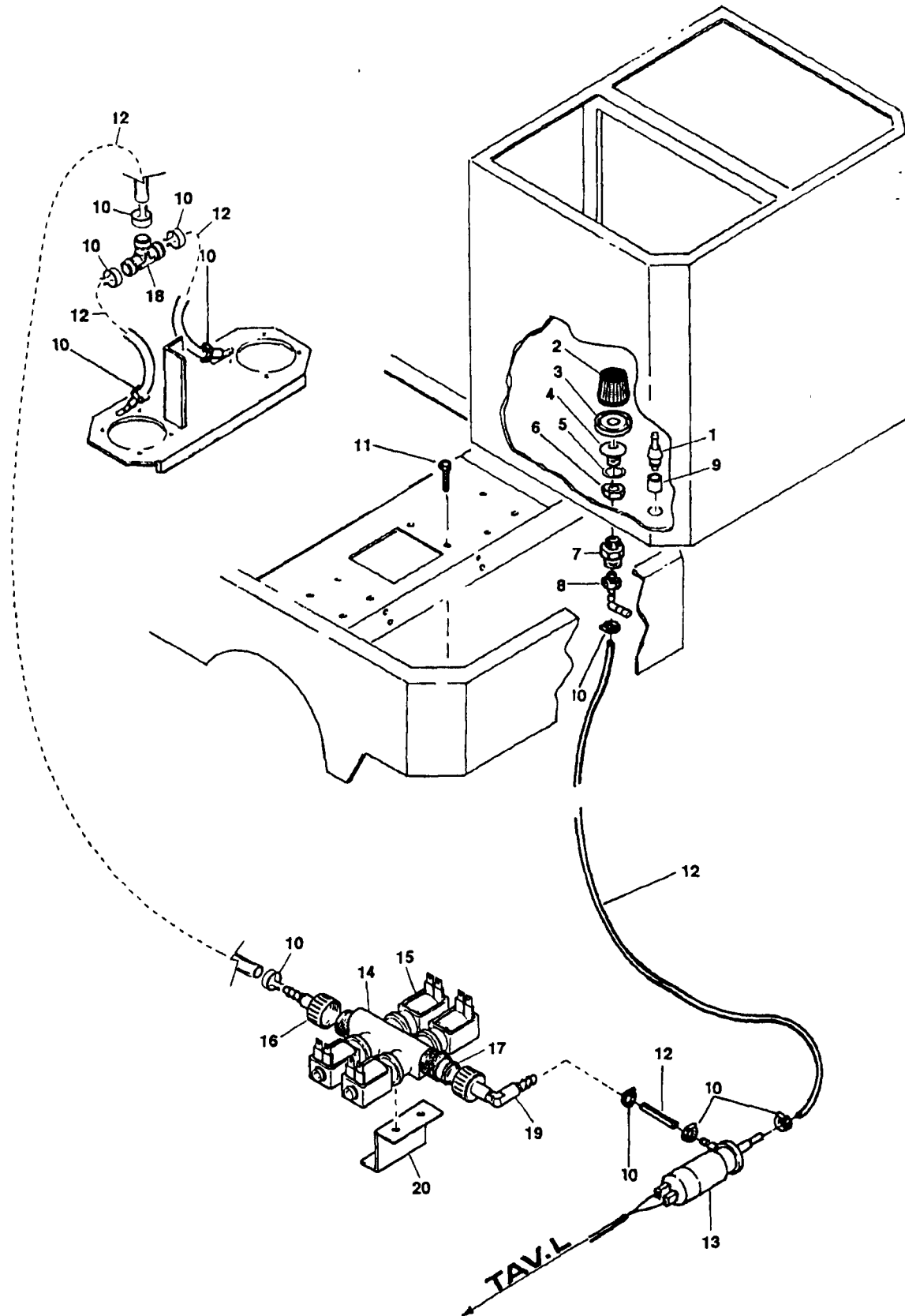
# TAV. J / DRAW. J / VUE J / ZEICHN. J

POSIZ. ITEM POS. EINSAT.	CODICE CODE CODE NUMMER	CODICE INTERNO INTERNAL CODE CODE INTERIEUR INTERNE NUMMER	DESCRIZIONE DESCRIPTION DESCRIPTION BEZEICHNUNG	KA33BR2 S32K40905Y12198 03	
				B	O
44	145 9980 000	V02.03110	VITE / SCREW / VIS / SCHRAUBE	2	
45	145 1966 000	-	RUOTA / WHEEL / ROUE / RAD	2	
46	145 9978 000	V13.00510	DADO / NUT / ECROU / MUTTER	2	
47	145 1957 000		VITE / SCREW / VIS / SCHRAUBE	4	
48	145 0246 000	V09.02210	RONDELLA / WASHER / RONDELLE / BEILAGSCHEIBE	10	
49	145 1948 000	-	DADO / NUT / ECROU / MUTTER	10	
50	145 0571 000	V06.00240	VITE / SCREW / VIS / SCHRAUBE	2	
51	145 0570 000	V06.00230	VITE / SCREW / VIS / SCHRAUBE	2	
53	145 0559 000	V06.00220	VITE / SCREW / VIS / SCHRAUBE	2	
54	145 1207 000	V02.12810	VITE / SCREW / VIS / SCHRAUBE	2	
55	145 0510 000	V02.05110	VITE / SCREW / VIS / SCHRAUBE	1	
56	145 0553 000	V02.00610	VITE / SCREW / VIS / SCHRAUBE	1	
57	145 9969 000	V13.02010	DADO / NUT / ECROU / MUTTER	1	
58	145 9934 000	V13.01910	DADO / NUT / ECROU / MUTTER	1	

# TAV. K / DRAW. K / VUE K / ZEICHN. K

KA33BR2

S32K4090SY(2)98 03



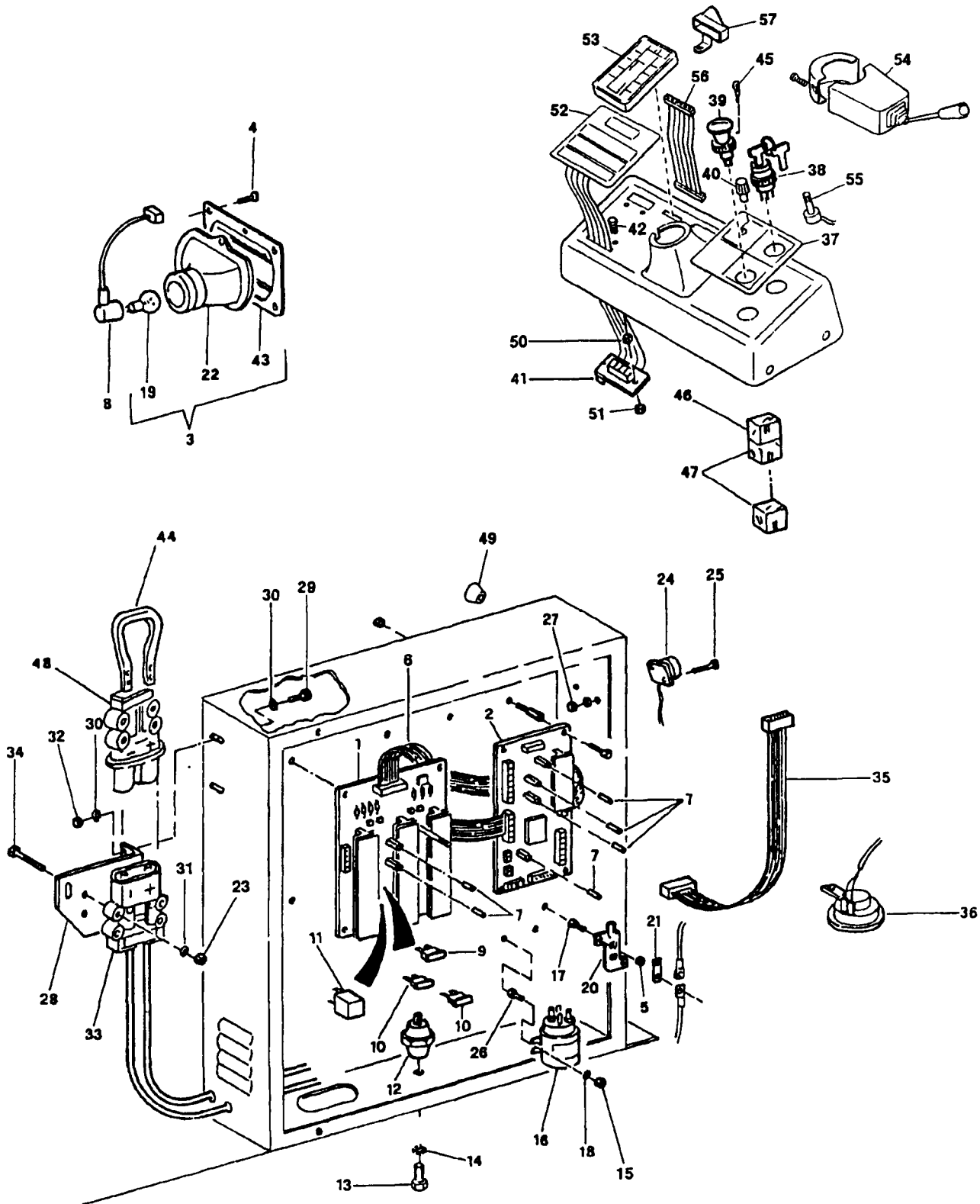
# TAV. K / DRAW. K / VUE K / ZEICHN. K

POSIZ. ITEM POS. EINSAT.	CODICE CODE CODE NUMMER	CODICE INTERNO INTERNAL CODE CODE INTERIEUR INTERNE NUMMER	DESCRIZIONE DESCRIPTION DESCRIPTION BEZEICHNUNG	KA33BR2	
				S32K40905Y12198 03	
				B	O
1	145 0558 000	G05.11140	SENSORE / SENSOR / SENSOR / SENSOR	1	
2	145 0394 000	H08.00100	CESTINO DI FONDO / FILTER / FILTRE / FILTER	1	
3	145 0410 000	H08.00110	BASE CESTINO DI FONDO / SUPPORT / SUPPORT / HALTER	1	
4	145 0422 000	H08.00160	BOCCHETTONE PER FILTRO / PIPE UNION / GOULOTTE / STUTZEN	1	
5	145 0536 000	H04.10580	GUARNIZIONE / GASKET / JIONT / DICHTUNG	2	
6	145 8578 000	V13.07120	GHIERA / NUT / ECROU / RING	1	
7	145 8580 000	E02.61800	PASSAPARATIA / PIPE FITTING / CLOISON / VERBINDUNG	1	
8	145 0530 000	M03.25400	PORTAGOMMA / PIPE HOLDER / RACCORD / GUMMIHALTER	1	
9	145 1947 000	-	DISTANZIALE / WASHER / RONDELLE / BEILAGSCHEIBE	1	
10	145 8582 000	V20.02200	FASCETTA / CLAMP / COLLIER / PASSRING	10	
11	145 9475 000	V05.01920	VITE / SCREW / VIS / SCHRAUBE	2	
12	145 4998 000	-	TUBO / PIPE / TUYAU / SCHLAUCH	1	
13	145 8869 000	A03.08500	POMPA / PUMP / POMPE / PUMPE	1	
14	145 9990 000	G02.13500	ELETTRIVALVOLA / ELECTROVALVE / ELECTROVALVE / ELEKTROVENTIL	1	
15	145 8503 000	G02.12400	ELETTROMAGNETE/ELECTROMAGNET/ELECTRO-AIMANT/ELEKTROMAGNET	4	
16	145 9948 000	M03.23300	PORTAGOMMA / PIPE HOLDER / RACCORD / GUMMIHALTER	1	
17	145 0534 000	H04.10000	GUARNIZIONE / GASKET / JOINT / DICHTUNG	2	
18	145 4366 000	M03.24300	RACCORDO / CONNECTOR / RACCORD / ANSCHLUß	1	
19	145 0530 000	M03.25400	PORTAGOMMA / PIPE HOLDER / RACCORD / GUMMIHALTER	1	
20	145 8211 000	F03.68790	SUPPORTO / SUPPORT / SUPPORT / HALTER	1	

# TAV. L / DRAW. L / VUE L / ZEICHN. L

KA33BR2

S32K4090SY(2)98 03



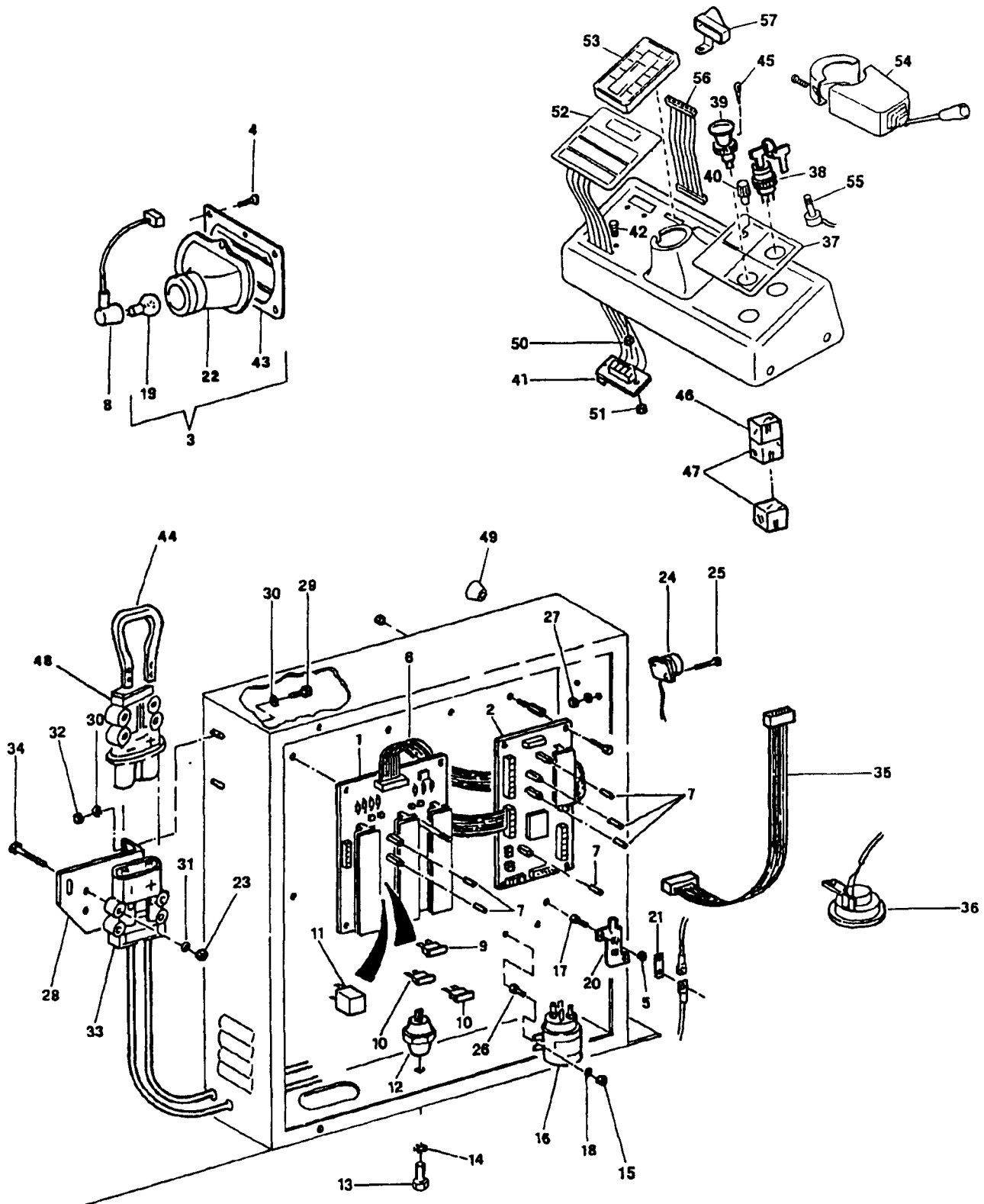
# TAV. L / DRAW. L / VUE L / ZEICHN. L

POSIZ. ITEM POS. EINSAT.	CODICE CODE CODE NUMMER	CODICE INTERNO INTERNAL CODE CODE INTERIEUR INTERNE NUMBER	DESCRIZIONE DESCRIPTION DESCRIPTION BEZEICHNUNG	B	O
1	145 1602 000	-	SCHEDA / CARD / PLATINE / KARTE	1	
2	145 1603 000	-	SCHEDA / CARD / PLATINE / KARTE	1	
3	145 8102 000	G06.03900	FARI / HEDLIGHTS / PHARES / SCHEINWERFER	2	
4	145 1145 000	V03.03710	VITE / SCREW / VIS / SCHRAUBE	8	
5	145 0438 000	V13.06110	DADO / NUT / ECROU / MUTTER	2	
6	145 8872 000	G12.00200	CONTATTO / CONTACT / CONTACT / CONTACT	1	
7	145 8511 000	G11.07000	FUSIBILE / FUSE / FUSIBLE / SICHERUNG 5A	6	
8	145 8873 000	G13.07000	CABLAGGIO / HARNESS / CABLAGE / KABELVERBINDUNG	2	
9	145 9853 000	G11.05700	FUSIBILE / FUSE / FUSIBLE / SICHERUNG 15A	1	
10	145 0227 000	G11.07600	FUSIBILE / FUSE / FUSIBLE / SICHERUNG 40A	2	
11	145 8512 000	G02.12100	RELAIS / RELAY / RELAIS / RELAIS	2	
12	145 8874 000	G02.12200	INTERRUTTORE / SWITCH / INTERRUPTEUR / SCHALTER	1	
13	145 1341 000	V02.02610	VITE / SCREW / VIS / SCHRAUBE	1	
14	145 8396 000	V19.00510	RONDELLA / WASHER / RONDELLE / BEILAGSCHEIBE	1	
15	145 0438 000	V13.06110	DADO / NUT / ECROU / MUTTER	2	
16	145 8875 000	G02.11700	TELERUTTORE / ELECTROMAGN. SWITCH / TELERUPTEUR / SCHALTER	1	
17	145 1339 000	V03.04510	VITE / SCREW / VIS / SCHRAUBE	2	
18	145 0441 000	V09.00210	RONDELLA / WASHER / RONDELLE / BEILAGSCHEIBE	2	
19	145 8876 000	G11.02700	LAMPADINA / LAMP / LAMPE / LAMPE	2	
20	145 8046 000	G11.05000	PORTAFUSIBILE / FUSE HOLDER / PORTEFUSIBLE / SICHERUNGSTRAEGER	1	
21	145 8047 000	G11.04500	FUSIBILE / FUSE / FUSIBLE / SICHERUNG 80A	1	
22	145 8400 000	G06.02200	FARI / HEDLIGHTS / PHARES / SCHEINWERFER	2	
23	145 9934 000	V13.01910	DADO / NUT / ECROU / MUTTER	4	
24	145 8877 000	G09.00300	AVVISATORE / HORN / AVERTISSEUR / HUPE	1	
25	145 1340 000	V01.03100	VITE / SCREW / VIS / SCHRAUBE	2	
26	145 1339 000	V03.04510	VITE / SCREW / VIS / SCHRAUBE	2	
27	145 0438 000	V13.06110	DADO / NUT / ECROU / MUTTER	2	
28	145 8878 000	F03.54900	STAFFA / HANGER / ETRIER / BÜGEL	1	
29	145 9959 000	V02.00310	VITE / SCREW / VIS / SCHRAUBE	2	
30	145 0246 000	V09.002210	RONDELLA / WASHER / RONDELLE / BEILAGSCHEIBE	4	
31	145 0246 000	V09.02210	RONDELLA / WASHER / RONDELLE / BEILAGSCHEIBE	4	
32	145 9934 000	V13.01910	DADO / NUT / ECROU / MUTTER	2	
33	145 8879 000	G03.08200	SPINA / PIN / GOUPILLE / STIFT	1	
34	145 9480 000	V02.07800	VITE / SCREW / VIS / SCHRAUBE	4	
35	145 8880 000	G12.00100	CONTATTO / CONTACT / CONTACT / CONTACT	1	
36	145 8881 000	G09.002	AVVISATORE / HORN / AVERTISSEUR / HUPE	1	
37	145 1609 000	-	SERIGRAFIA / PANEL / PLANCHE / PANEEL	1	
38	145 3785 000	G05.11100	CHIAVE / KEY / CLE / SCHLUESSEL	1	
39	145 8884 000	G05.10200	PULSANTE / PUSH BUTTON / BOUTON POUSSOIR / KNOFF	1	
40	145 4719 000	-	MANOPOLA / KNOB / MOLETTE / HANDRAD	1	
41	145 1606 000	-	SCHEDA / CARD / PLATINE / KARTE	1	
42	145 1145 000	V03.03710	VITE / SCREW / VIS / SCHRAUBE	2	
43	145 8401 000	L03.02600	MASCHERINA / GRILL / GRILLE / Klappe	2	

# TAV. L / DRAW. L / VUE L / ZEICHN. L

KA33BR2

S32K4090SY(2)98 0:



# TAV. L / DRAW. L / VUE L / ZEICHN. L

POSIZ. ITEM POS. EINSAT.	CODICE CODE CODE NUMMER	CODICE INTERNO INTERNAL CODE CODE INTERIEUR INTERNE NUMMER	DESCRIZIONE DESCRIPTION DESCRIPTION BEZEICHNUNG	KA338R2 S32K40905Y12198 03	
				B	O
44	145 8887 000	LO2.14600	MANIGLIA / HANDLE / POIGNEE / HANDGRIFF	1	
45	145 8888 000	G11.06800	LAMPADINA / LAMP / LAMPE / LAMPE	1	
46	145 8889 000	G03.08000	CONTATTO / CONTACT / CONTACT / CONTACT	1	
47	145 8890 000	G03.08100	CONTATTO / CONTACT / CONTACT / CONTACT	2	
48	145 9931 000	G03.08300	PRESA / PLUG / PRISE / STECKER	1	
49	145 1314 000	H08.00240	PROTEZIONE / GUARD / PROTECTION / SCHUTZ	1	
50	145 9960 000	V13.00310	DADO / NUT / ECROU / MUTTER	2	
51	145 8281 000	V13.01810	DADO / NUT / ECROU / MUTTER	2	
52	145 1607 000	-	PLANCIA / PANEL / PLANCHE / PANEEL	1	
53	145 4791 000	-	TELECOMANDO / PANEL REMOVED CONTROL / TÈLECOMANDE / ENTFERNBARE KONTROLLG RAT	1	
54	145 1610 000	-	DEVIO LUCI / MULTIFUNCTION LEVEL KIT / KIT LEVIER PLUSIEURS FUNCTIONS / MULTIFUNKTION-SHEBEL SET	1	
55	145 4717 000	-	POTENZIOMETRO / POTENTIOMETER / POTENTIOMETRE / POTENTIOMETER	1	
56	145 1881 000	-	CONTATTO / CONTACT / CONTACT / CONTACT	1	
57	145 4876 000	-	PROTEZIONE / GUARD / PROTECTION / SCHUTZ	1	



The Kent Company  
2310 Industrial Pkwy. P.O. Box 1665  
Elkhart, IN 46515-1665  
Phone 800-334-1083  
Fax 800-245-7849

S32K4090SY(2)98-03

Graphic Project VISUAL DIVISION Milan Italy