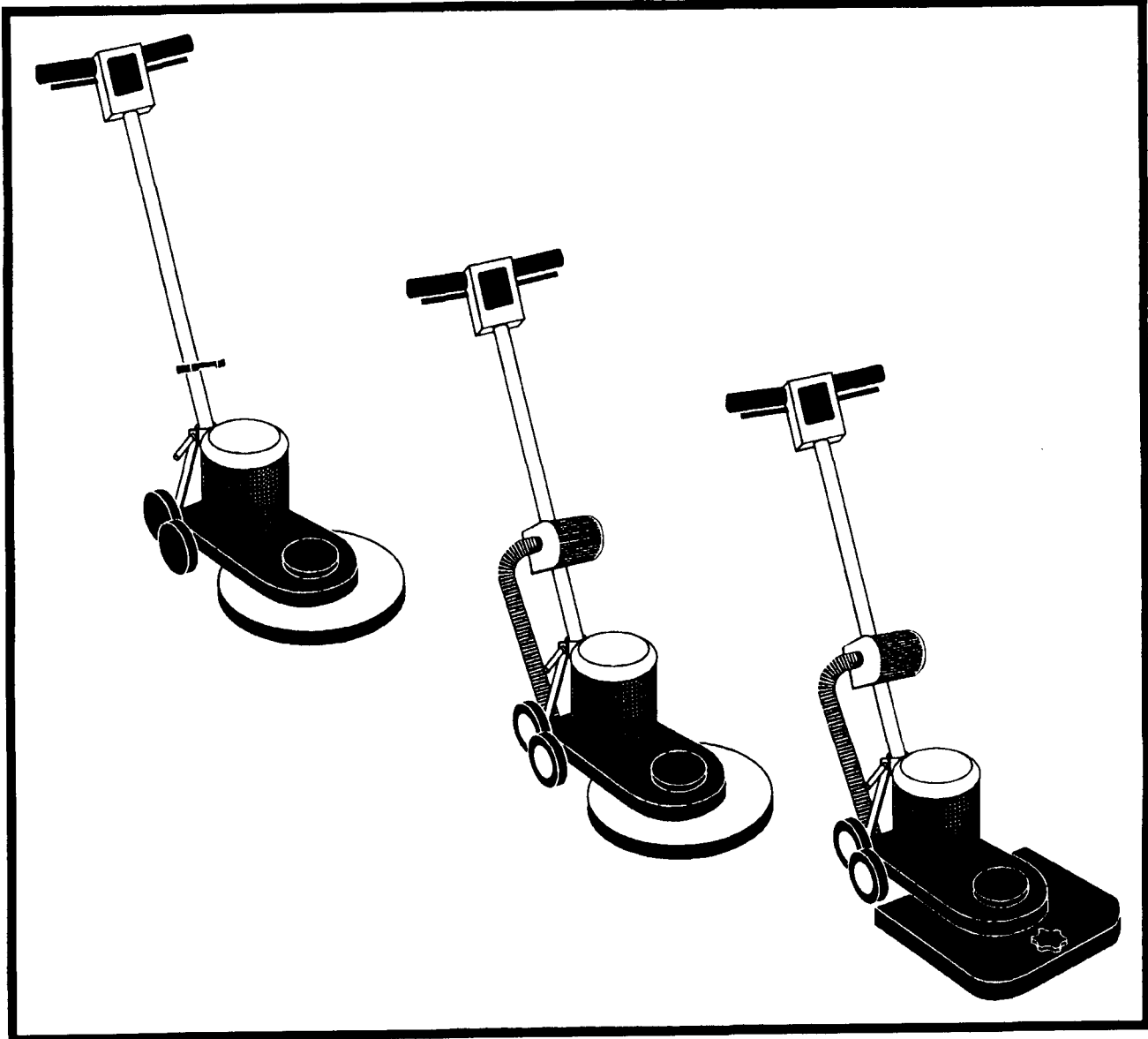




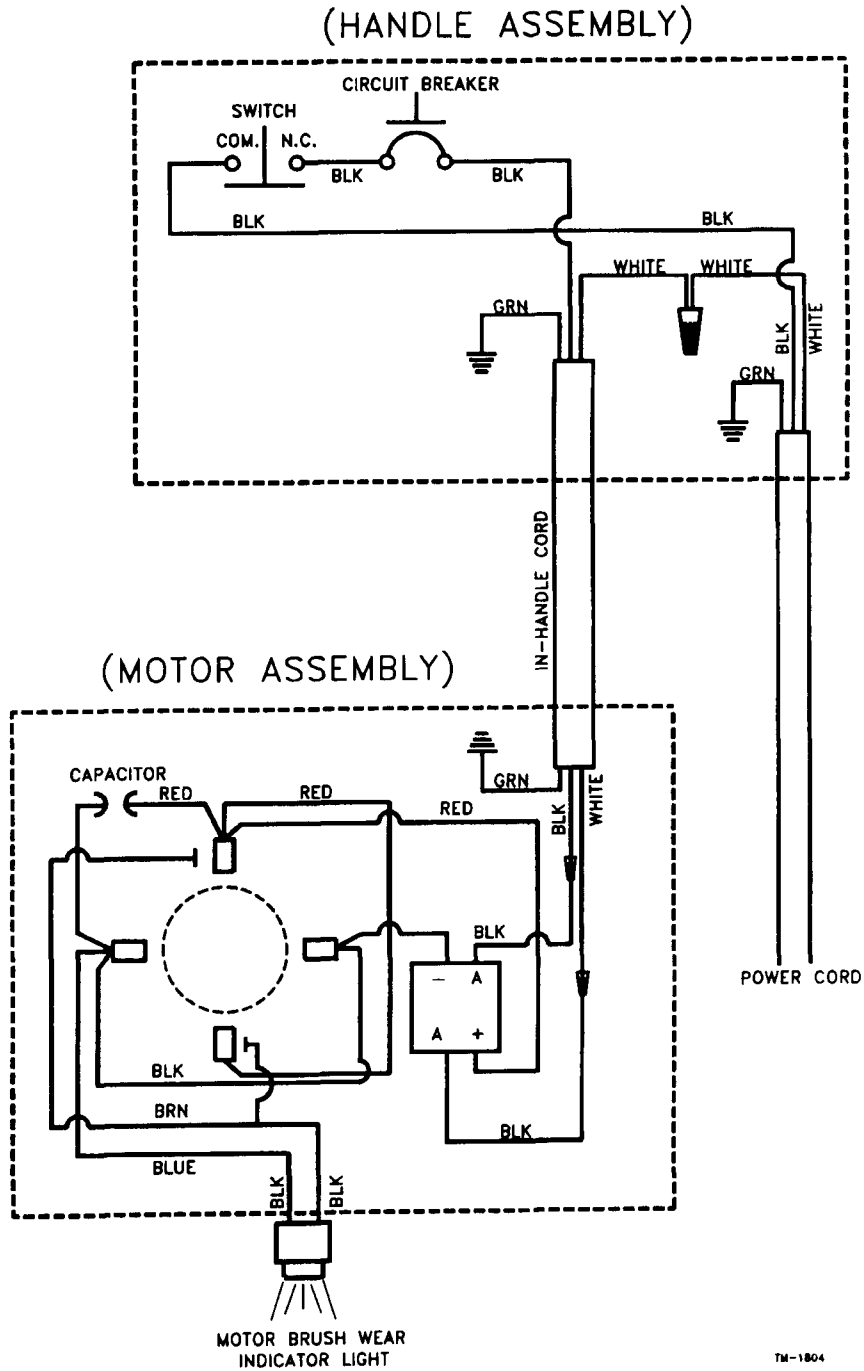
PARTS



KF-1500SL
KF-1500F
KF-2500F

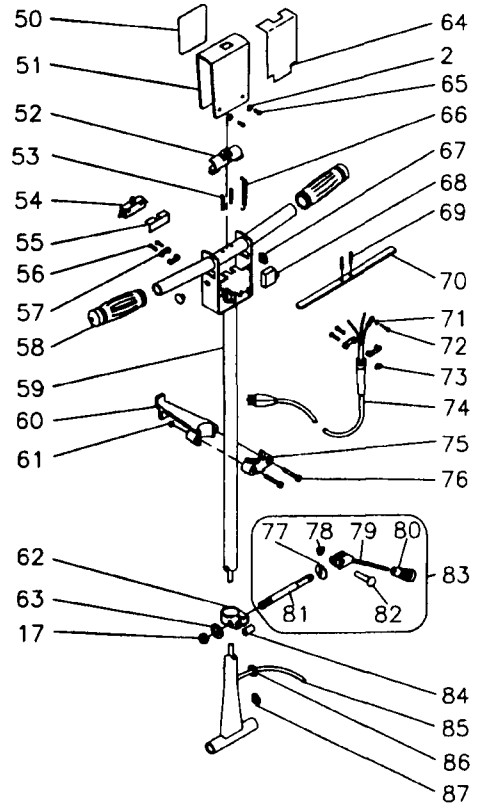
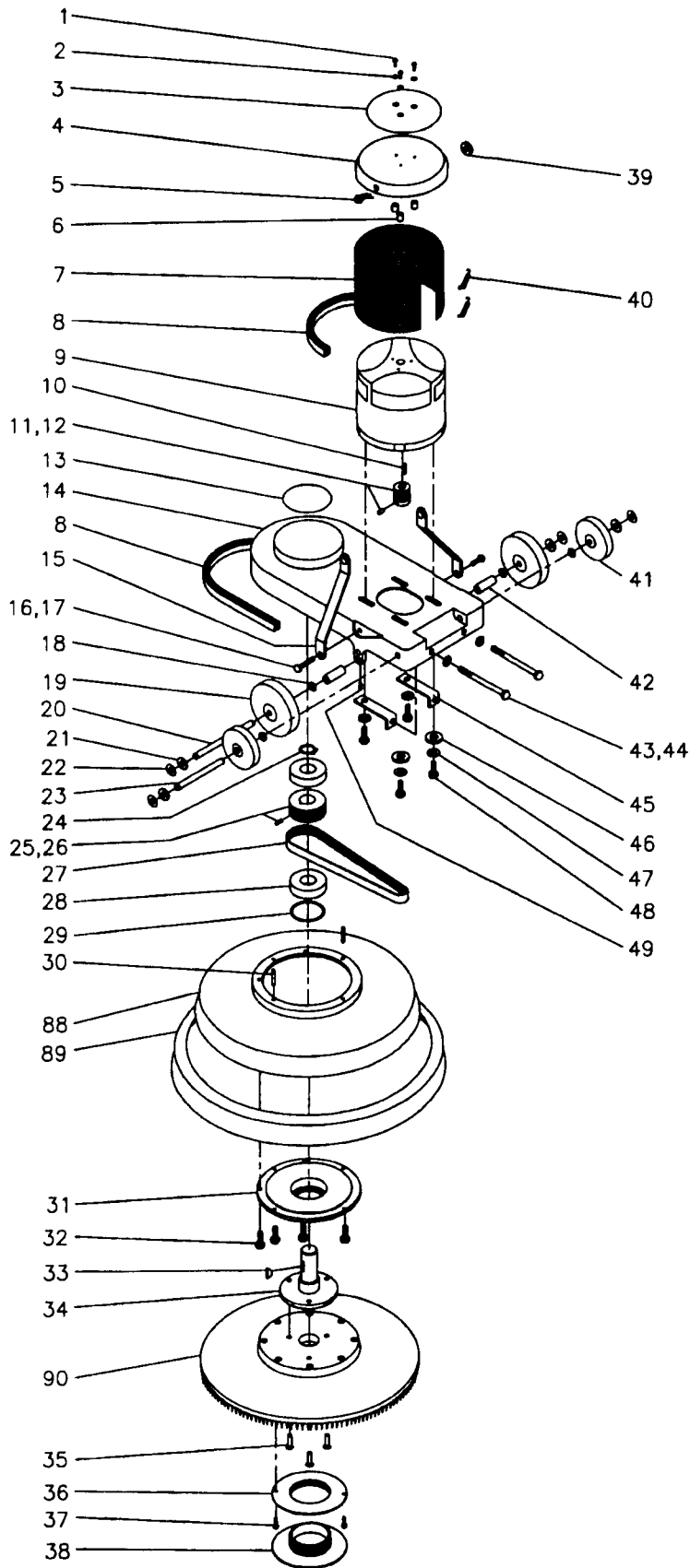
Spare Parts List

1500 RPM MODEL WIRING DIAGRAM



TM-1804

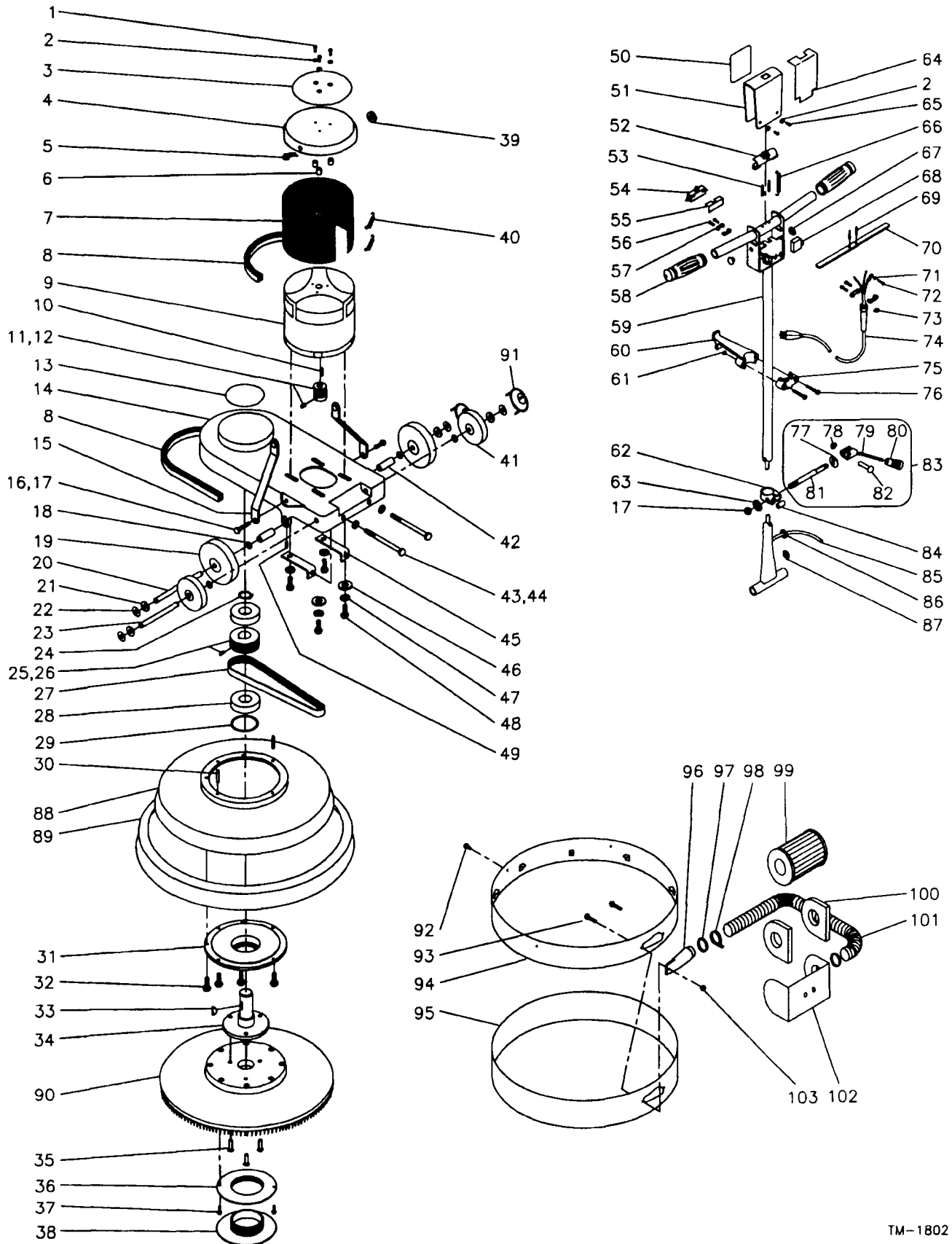
KF-1500SL ASSEMBLY



KF-1500SL ASSEMBLY PARTS LIST

DET.	PART NO.	DESCRIPTION	QUANT.	DET.	PART NO.	DESCRIPTION	QUANT.
1	002329	SCR MACH PAN HD 10-32X2.00L	3	46	0003050870	WSHR FLT .375ID.875OD.187T STL	2
2	004253	WSHR LK .204ID.410OD.025T EXT	5	47	004214	WSHR LK .390ID.683OD.094TSPLT	4
3	057717-6	LABEL,FM MTR CVR—1500SL	1	48	003224	SCR CAP HEX HD .375-16X.750L	4
4	056404	CVR,DRIP—DC MTR,ROYAL BLUE	1	49	001276	SCR SET CUP PT 10-24X.250L	2
5	026476	INDICATOR LIGHT—RED,115V	1	50	057716-5	LABEL,FM CNTRL BOX—HI-SPD,SL	1
6	052238	SPACER,PHEN—.250X.500,1.500L	3	51	035110	COVER,CNTRL BOX,ROYAL BLUE	1
7	057706	SCREEN,DC MTR—PERFED ALUM,BLK	1	52	050588	SAFETY SWITCH	1
8	055013	CHANNEL,GUARD—25.25 LONG	2	53	005467	PIN,ROLL—.125 DIA,1.750L	2
9	024417	MTR,DC RECT—115V,50-60H,1.5HP	1	54	026903	SWITCH,PUSH—SPST,25A,125/250V	1
10	049469	KEY,WOODRUFF—#608,1.00D,.187W	1	55	055804	INSULATION PAPER—2.0X2.5	1
11	051898	PULLEY,GRVD—10 GRV,1.400 PD	1	56	002439	SCR TPG F PAN HD 10-24X1.00L	4
12	005387	SCR SET CONE PT .25-20X.50L	2	57	055788-1	CLAMP,CABLE—PLASTIC	4
13	057718-1	LABEL,HS FM FRAME—KENT	1	58	047418	HANDLE-GRIP,BLK	2
14	056400	FRAME,HS FM—ROYAL BLUE	1	59	034896	WDMT,HNDL—LARGE SWBOX W/HOLES1	1
15	056402	CONNECTING LEG,ROYAL BLUE	2	60	048571	CORD HOOK—BODY	1
16	003265	SCR CAP HEX HD .375-16X1.50L	2	61	003349	NUT,HEX—.312-18,ZN PLT	2
17	005279	NUT,HEX LOCK—.375-16,NYLOC	3	62	046595	CLAMP HANDLE LOCK	1
18	004554	WSHR SPR TNSN .505ID.74OD.016	4	63	004384	WSHR FLT .406ID.875OD.064T STL	1
19	050776	WHEEL—6.00DIA.,500BORE,1.37HB	2	64	057721	LABEL,FM CNTRL—WARNING	1
20	052388 005383	AXLE,.500DX17.25,GRVD COTTER PIN	1	65	005316	SCR TPG F PAN HD 10-24X.375L	2
21	004475	WSHR FLT .531ID.875OD.036T STL	4	66	048785	SPRING,EXT .250D 2.00L .026WD	1
22	050765	RING,RTNG—EXT,500 SHAFT,"E"	4	67	056110	PLUG,BUTTON—.50MHD,.125THK	2
23	050765	AXLE,.500DX12.72,GRVD	1	68	026699	CIRCUIT BREAKER 20 AMP	1
24	004473	RING,RTNG—EXT.1.37 SHAFT,5100	1	69	046648	SPRING,COMP .344D .687L .032WD	2
25	053492	PULLEY,GRVD—10 GRV,3.178PD	1	70	056089	BAR,STL—TRIGGER,11.00",BLACK	1
26	22328	SCR SET CUP PT .312-18X.500L	2	71	004253	WSHR LK .204ID.410OD.025T EXT	1
27	054899	BELT,V—10V'S,30.00" PL	1	72	005316	SCR TPG F PAN HD 10-24X.375L	1
28	027219	BRG,BALL—1.37ID,3.149OD,.827W	2	73	004553	RING,RTNG—EXT.813 SHFT,"C"	1
29	004474	WSHR SPR TNSN 2.67ID2.98OD.030	1	74	025080	CORD,POWER—ST,14-3,GRAY,75'	1
30	004477	PIN,DOWEL—.250X1.500 LONG	2	75	048572	CORD HOOK—CAP	1
31	050762	HOUSING,BEARING—HI SP F.M.	1	76	005515	SCR MACH FIL HD .312-18X1.75L	2
32	001492	SCR TPG F WSH HD .250-20X1.25L	4	77	046607	WSHR SLTD .227X.656,1.00OD.073	1
33	050775	KEY,WOODRUFF—#608,1.00D,.187W	1	78	E48004	NUT,PUSH-ON—	1
34	033769	WDMT,PLATE/SHAFT—DRIVE	1	79	057666	HANDLE,LOCKING—11GA,FORMED	1
35	001493	SCR MACH FLAT HD—.375-16X1.0L	3	80	057675	GRIP,HANDLE—.50NOM,BLK,TAPRD	1
36	039576	RING,PLASTIC—6.00D,3.0ID,RH	1	81	046597	CLAMP STUD	1
37	002380	SCR TPG F PAN HD 10-10X.625L	2	82	005634	RIVET,SOLID—RD HD,.312X0.625L	1
38	039577	CLAMP,PLASTIC—4.8OD,2.9ID,RH	1	83	032656	ASM,LOCK—CAM	1
39	055868	GROM—.687ID,.812MHD,.062PA	1	84	046606	SPACER,RBR—.325X.656,2.000L	1
40	E45503	SPRING,EXT .257D 1.25L .035WD	2	85	026863	CABLE,ELEC—14-3,ST,GRAY,60IN	1
41	048058	WHEEL—5.00DIA.,504BORE,1.12HB	2	86	055868	GROM—.687ID,.812MHD,.062PA	1
42	052387	SPACER,STL—.750ODX.506IDX2.00	2	87	056092	PLUG,BUTTON—.50 MHD,.074 THK	1
43	005558	SCR CAP HEX HD .250-20X5.50L	2	88	097041-24	COVER,BRUSH—21",CHOC GRAY	1
44	004254	WSHR LK .267ID.510OD.028T EXT	2	89	057720	BUMPER,FM—VINYL,BLK,21"	1
45	050941	BRACKET-BELT ADJUSTMENT	2	90	020349	HOLDER,PAD—19.00",PLASTIC	1

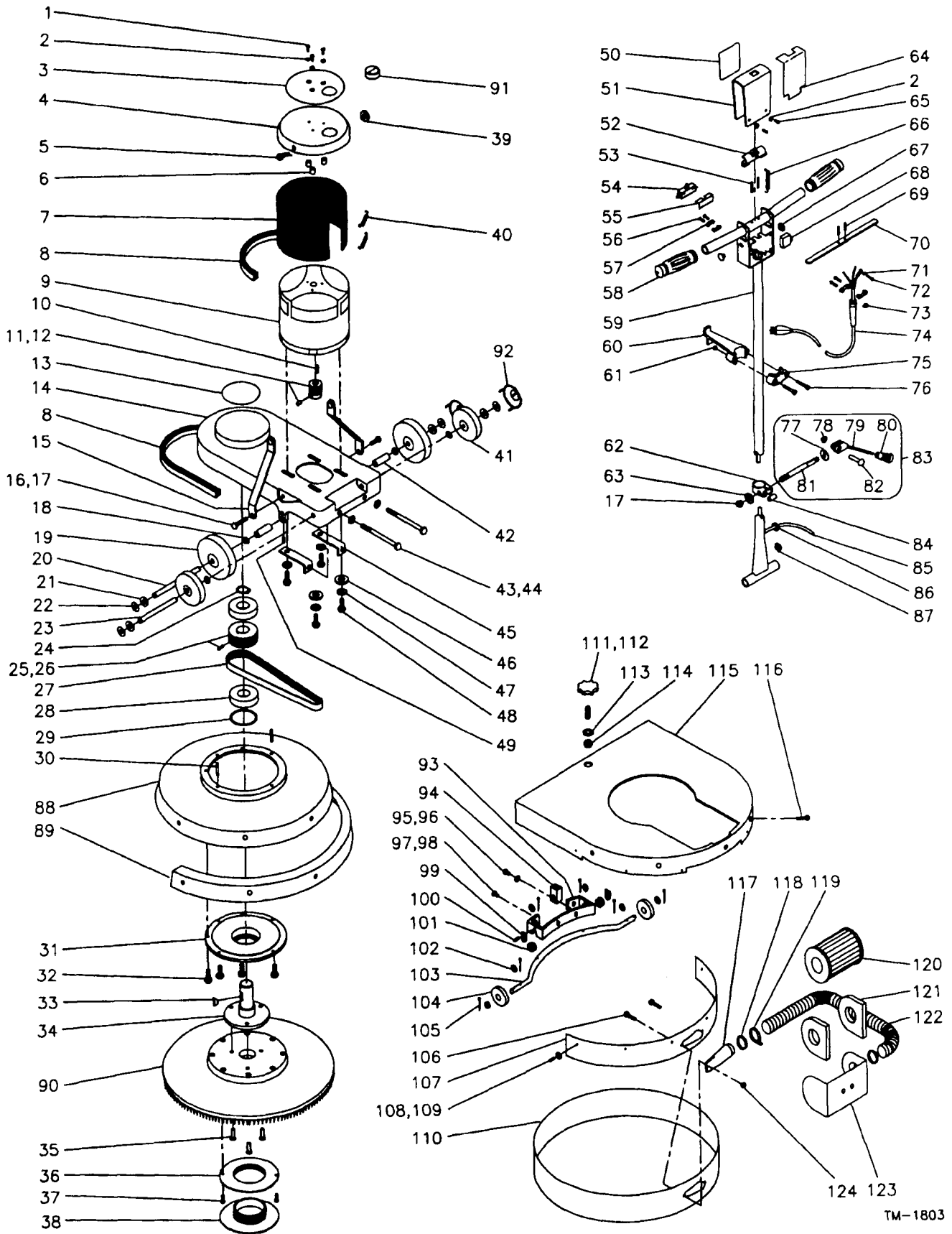
KF-1500F ASSEMBLY



KF-1500F ASSEMBLY PARTS LIST

DET.	PART NO.	DESCRIPTION	QUANT.	DET.	PART NO.	DESCRIPTION	QUANT.
1	002329	SCR MACH PAN HD 10-32X2 00L	3	52	050588	SAFETY SWITCH	1
2	004253	WSHR LK 204ID 410OD 025T EXT	5	53	005467	PIN,ROLL— 125 DIA,1 750L	2
3	057717-10	LABEL,FM MTR CVR—1500F	1	54	026903	SWITCH,PUSH—SPST,25A,125/250V	1
4	056404	CVR,DRIP—DC MTR,ROYAL BLUE	1	55	055804	INSULATION PAPER—2 0X2 5	1
5	026476	INDICATOR LIGHT—RED,115V	1	56	002439	SCR TPG F PAN HD 10-24X1 00L	4
6	052238	SPACER,PHEN— 250X 500,1 500L	3	57	055788-1	CLAMP,CABLE—PLASTIC	4
7	057706	SCREEN,DC MTR—PERFED ALUM,BLK	1	58	047418	HANDLE-GRIP,BLK	2
8	055013	CHANNEL,GUARD—25 25 LONG	2	59	034896	WDMT,HNDL—LARGE SWBOX W/HOLES	1
9	024417	MTR,DC RECT—115V,50-60H,1 5HP	1	60	048571	CORD HOOK—BODY	1
10	049469	KEY,WOODRUFF—#608,1 00D, 187W	1	61	003349	NUT,HEX— 312-18,ZN PLT	2
11	051898	PULLEY,GRVD—10 GRV,1 400 PD	1	62	046595	CLAMP HANDLE LOCK	1
12	005387	SCR SET CONE PT 25-20X 50L	2	63	004384	WSHR FLT 406ID 875OD 064T STL	1
13	057718-1	LABEL,HS FM FRAME—KENT	1	64	057721	LABEL,FM CNTRL—WARNING	1
14	056400	FRAME,HS FM—ROYAL BLUE	1	65	005316	SCR TPG F PAN HD 10-24X 375L	2
15	056402	CONNECTING LEG,ROYAL BLUE	2	66	048785	SPRING,EXT 250D 2 00L 026WD	1
16	003265	SCR CAP HEX HD 375-16X1 50L	2	67	056110	PLUG,BUTTON— 50MHD, 125THK	2
17	005279	NUT,HEX LOCK— 375-16,NYLOC	3	68	026699	CIRCUIT BREAKER 20 AMP	1
18	004554	WSHR SPR TNSN 505ID 74OD 016	4	69	046648	SPRING,COMP 344D 687L 032WD	2
19	052218	WHEEL—RS 50776 W/3 HOLES,6IN	2	70	056089	BAR,STL—TRIGGER,11 00",BLACK	1
20	052388	AXLE, 50ODX17 25,GRVD	1	71	004253	WSHR LK 204ID 410OD 025T EXT	1
21	005383	COTTER PIN	4	72	005316	SCR TPG F PAN HD 10-24X 375L	1
22	004475	WSHR FLT 531ID 875OD 036T STL	4	73	004553	RING,RTNG—EXT, 813 SHFT,"C"	1
23	050765	RING,RTNG—EXT, 500 SHAFT, "E"	4	74	025080	CORD,POWER—ST,14-3,GRAY,75'	1
24	004473	AXLE, 50ODX12 72,GRVD	1	75	048572	CORD HOOK—CAP	1
25	053492	RING,RTNG—EXT 1 37 SHAFT,5100	1	76	003252	SCR CAP HEX HD 312-18X2 00L	2
26	053228	PULLEY,GRVD—10 GRV,3 178PD	2	77	046607	WSHR SLTD 227X 656.1 00OD 073	1
27	054899	SCR SET CUP PT 312-18X 500L	2	78	E48004	NUT,PUSH-ON—	1
28	027219	BELT,V—10V'S,30 00" PL	1	79	057666	HANDLE,LOCKING—11GA,FORMED	1
29	004474	BRG,BALL—1 37ID,3 149OD, 827W	2	80	057675	GRIP,HANDLE— 50NOM,BLK,TAPRD	1
30	004477	WSHR SPR TNSN 2 67ID2 98OD 030	1	81	046597	CLAMP STUD	1
31	050762	PIN,DOWEL— 250X1 500 LONG	2	82	005634	RIVET,SOLID—RD HD, 312X0 625L	1
32	001492	HOUSING,BEARING—HI SP FM	1	83	032656	ASM,LOCK—CAM	1
33	050775	SCR TPG F WSH HD 250-20X1 25L	4	84	046606	SPACER,RBR— 325X 656,2 000L	1
34	033769	KEY,WOODRUFF—#608,1 00D, 187W	1	85	026863	CABLE,ELEC—14-3,ST,GRAY,60IN	1
35	001493	WDMT,PLATE/SHAFT—DRIVE	1	86	055868	GROM— 687ID, 812MHD, 062PA	1
36	039576	SCR MACH FLAT HD— 375-16X1 0L	3	87	056092	PLUG,BUTTON— 50 MHD, 074 THK	1
37	002380	RING,PLASTIC—6 0OD,3 0ID,RH	1	88	097041-24	COVER,BRUSH—21",CHOC GRAY	1
38	039577	SCR TPG F PAN HD 10-10X 625L	2	89	057720	BUMPER,FM—VINYL,BLK,21"	1
39	055868	CLAMP,PLASTIC—4 8OD,2 9ID,RH	1	90	020349	HOLDER,PAD—19 00",PLASTIC	1
40	E45503	GROM— 687ID, 812MHD, 062PA	1	91	052204-1	CAP,HUB—PLSTC,GRAY,3 19BC	4
41	052213	SPRING,EXT 257D 1 25L 035WD	2	92	001413	SCR TPG F TRS HD 10-A X 625L	3
42	052387	WHEEL—RS 48058 W/3 HOLES,5"	2	93	001327	SCR MACH PAN HD 10-24X 750L	3
43	005558	SPACER,STL— 750ODX 506IDX2 00	2	94	034595	WDMT,AIR GUARD,20 9DIAX3 12STL	1
44	004254	SCR CAP HEX HD 250-20X5 50L	2	95	054893	EXTRUSION,VINYL—AIR GUARD	1
45	050941	WSHR LK 267ID 510OD 028T EXT	2	96	054222	NOZZLE—1 5DIA,6 13L,ABS	1
46	0003050870	BRACKET-BELT ADJUSTMENT	2	97	046688	CLAMP,HOSE—1 75 MAX DIA,WORM	2
47	004214	WSHR FLT 375ID 875OD 187T STL	2	98	049282	CLAMP,LOOP—1 812 DIA,STL	1
48	003224	WSHR LK 390ID 683OD 094TSPLT	4	99	054240	FILTER—4 25DIAX5 25L	1
49	001276	SCR CAP HEX HD 375-16X 750L	4	100	054219	PAD,FOAM—4 0X4 5X 50	2
50	057716-2	SCR SET CUP PT 10-24X 250L	2	101	053714	HOSE,BLK VINYL—1 5IDX30L	1
51	035110	LABEL,FM CNTRL BOX—HI-SPD,DL	1	102	054218	WDMT,BRKT,FLTR--4 0X4 5X6 0 SS	1
		COVER,CNTRL BOX,ROYAL BLUE	1	103	005480	NUT,HEX LOCK— 10-24,NYLOC	3

KF-2500F ASSEMBLY

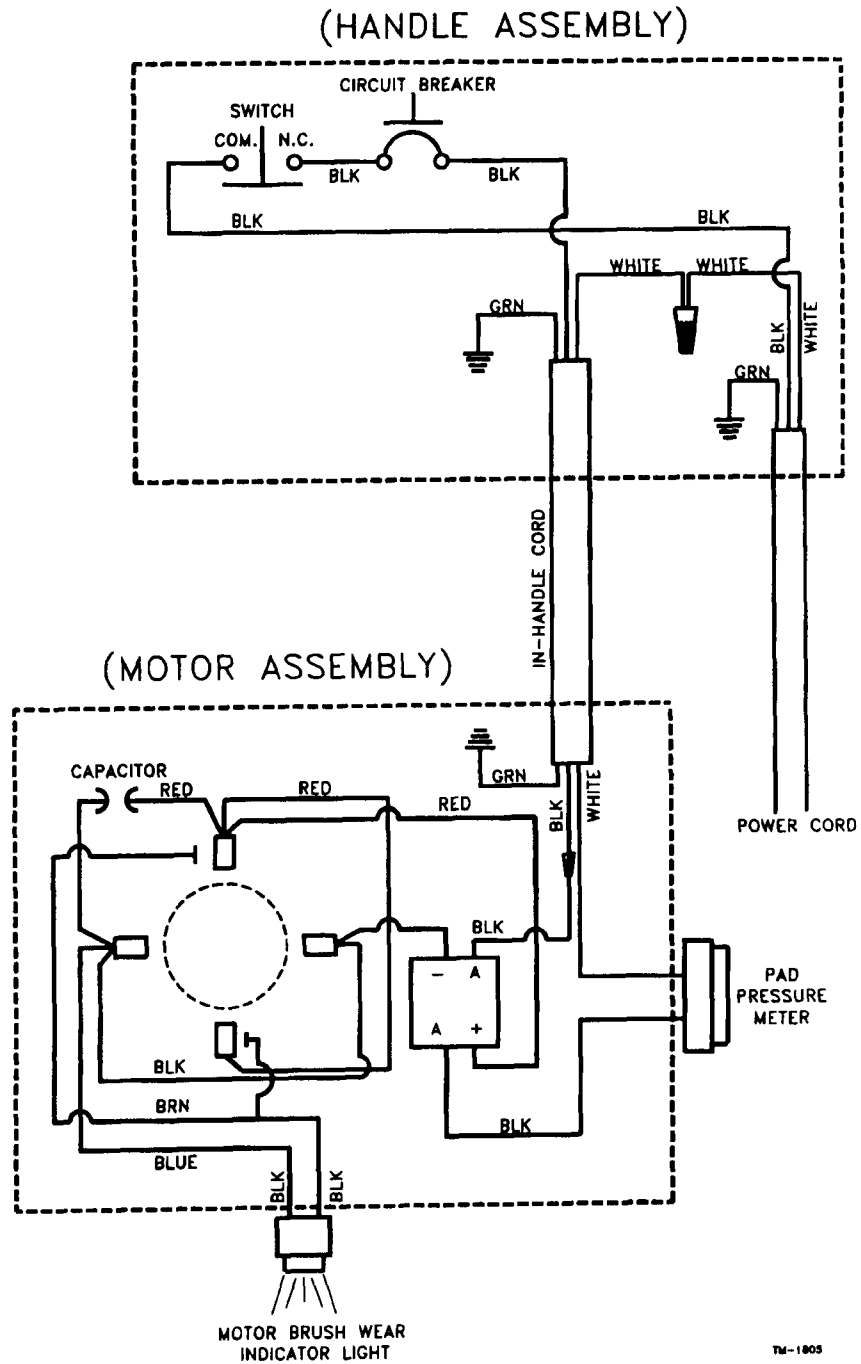


TM-1803

KF-2500F ASSEMBLY PARTS LIST

DET.	PART NO.	DESCRIPTION	QUANT.	DET.	PART NO.	DESCRIPTION	QUANT.
1	002329	SCR MACH PAN HD 10-32X2 00L	3	63	004384	WSHR FLT 406ID 875OD 064T STL	1
2	004253	WSHR LK 204ID 410OD 025T EXT	5	64	057721	LABEL,FM CNTRL—WARNING	1
3	057717-11	LABEL,FM MTR CVR—2500F	1	65	005316	SCR TPG F PAN HD 10-24X 375L	2
4	057722-23	DRIP CVR—DC MTR,RYL BLU,W/HL	1	66	048785	SPRING,EXT 250D 2 00L 026WD	1
5	026476	INDICATOR LIGHT—RED,115V	1	67	056110	PLUG,BUTTON— 50MHD, 125THK	2
6	052238	SPACER,PHEN— 250X 500,1 500L	3	68	026699	CIRCUIT BREAKER 20 AMP	1
7	057706	SCREEN,DC MTR—PERFED ALUM,BLK	1	69	046648	SPRING,COMP 344D 687L 032WD	2
8	055013	CHANNEL,GUARD—25 25 LONG	2	70	056089	BAR,STL—TRIGGER,11 00",BLACK	1
9	024417	MTR,DC RECT—115V,50-60H,1 5HP	1				
10	049469	KEY,WOODRUFF—#608,1 00D, 187W	1	71	004253	WSHR LK 204ID 410OD 025T EXT	1
				72	005316	SCR TPG F PAN HD 10-24X 375L	1
11	053115	PULLEY,GRVD—10 GRV,3 0 PD	1	73	004553	RING,RTNG—EXT, 813 SHFT,"C"	1
12	005387	SCR SET CONE PT 25-20X 50L	2	74	025080	CORD,POWER—ST.14-3.GRAY,75'	1
13	057718-1	LABEL,HS FM FRAME—KENT	1	75	048572	CORD HOOK—CAP	1
14	056400	FRAME,HS FM—ROYAL BLUE	1	76	003252	SCR CAP HEX HD 312-18X2 00L	2
15	056402	CONNECTING LEG,ROYAL BLUE	2	77	046607	WSHR SLTD 227X 656,1 00OD 073	1
16	003265	SCR CAP HEX HD 375-16X1 50L	2	78	E48004	NUT,PUSH-ON—	1
17	005279	NUT,HEX LOCK— 375-16,NYLOC	3	79	057666	HANDLE,LOCKING—11GA,FORMED	1
18	004554	WSHR SPR TNSN 505ID 74OD 016	4	80	057675	GRIP,HANDLE— 50NOM,BLK,TAPRD	1
19	052218	WHEEL—RS 50776 W/3 HOLES,6IN	2				
20	062388	AXLE, 50ODX17 25,GRVD	1	81	046597	CLAMP STUD	1
	005383	Cotter Pin		82	005634	RIVET,SOLID—RD HD, 312X0 625L	1
21	004476	WSHR FLT 531ID 875OD 036T STL	4	83	032656	ASM,LOCK—CAM	1
22	050745	RING,RTNG—EXT, 500 SHAFT, "E"	4	84	046606	SPACER,RBR— 325X 656,2 000L	1
23	050745	AXLE, 50ODX12 72,GRVD	1	85	026863	CABLE,ELEC—14-3.ST,GRAY,60IN	1
24	004473	RING,RTNG—EXT 1 37 SHAFT,5100	1	86	055868	GROM— 687ID, 812MHD, 062PA	1
25	050774	PULLEY,GRVD—10 GRV,4 50PD	1	87	056092	PLUG,BUTTON— 50 MHD, 074 THK	1
26	050778	SCR SET CUP PT 312-18X 500L	2	88	054266	CVR,BRUSH,FM—19 25DIA,2500E	1
27	050778	BELT 340J10 KF205H	1	89	052377	SPACER,EXTRUSION—VINYL,BLACK	1
28	027219	BRG,BALL—1 37ID,3 149OD, 827W	2	90	020380	HOLDER,PAD—20 00",PLSTFLEX	1
29	004474	WSHR SPR TNSN 2 67ID2 98OD 030	1				
30	004477	PIN,DOWEL— 250X1 500 LONG	2	91	027125	AMMETER,AC—30AMP,2 25"RD	1
				92	052204-1	CAP,HUB—PLSTC,GRAY,3 19BC	4
31	050762	HOUSING,BEARING—HI SP FM	1	93	035581	WDMT,FORMED AXLE BRKT	1
32	001492	SCR TPG F WSH HD 250-20X1 25L	4	94	057730	AXLE POSITIONER— 63X1 00X1 25	1
33	050775	KEY,WOODRUFF—#608,1 00D, 187W	1	95	002243	SCR CAP HEX HD 250-20X 625L	2
34	033769	WDMT,PLATE/SHAFT—DRIVE	1	96	004254	WSHR LK 267ID 510OD 028T EXT	2
35	001493	SCR MACH FLAT HD— 375-16X1 0L	3	97	002252	SCR MACH FLAT HD 250-20X 750L	2
36	039576	RING,PLASTIC—6 00D,3 0ID,RH	1	98	003363	NUT,HEX LOCK— 250-20.ZN PLT	2
37	002380	SCR TPG F PAN HD 10-10X 625L	2	99	052764	PLATE,STL—1 00X1 344X16G	2
38	039577	CLAMP,PLASTIC—4 8OD,2 9ID,RH	1	100	005487	SCR TPG F PAN HD 10-24X 500L	2
39	055868	GROM— 687ID, 812MHD, 062PA	1				
40	E45503	SPRING,EXT 257D 1 25L 035WD	2	101	050955	GROM— 437ID, 687MHD, 250PA	2
				102	004223	WSHR FLT 406ID 625OD 036T STL	6
41	052213	WHEEL—RS 48058 W/3 HOLES,5"	2	103	057726	AXLE, 375OD—FORMED	1
42	052387	SPACER,STL— 750ODX 506IDX2 00	2	104	049261	WHEEL—3 00DIA, 380BORE, 875HB	2
43	005558	SCR CAP HEX HD 250-20X5 50L	2	105	004296	PIN,COTTER— 094X 500 LONG	6
44	004254	WSHR LK 267ID 510OD 028T EXT	2	106	001327	SCR MACH PAN HD 10-24X 750L	3
45	050941	BRACKET-BELT ADJUSTMENT	2	107	057729	GUARD,STRIP—FORMED,16GA,SS	1
46	0003050870	WSHR FLT 375ID 875OD 187T STL	2	108	002416	SCR TPG F PAN HD 10-10X 375L	6
47	004214	WSHR LK 390ID 683OD 094TSPLT	4	109	005323	WSHR FLT 203ID 500OD 036T STL	6
48	003224	SCR CAP HEX HD 375-16X 750L	4	110	057727	EXTRUSION,BLK VINYL—KF-2500F	1
49	001276	SCR SET CUP PT 10-24X 250L	2				
50	057716-2	LABEL,FM CNTRL BOX—HI-SPD,DL	1	111	047484	KNOB	1
				112	052402	STUD,THRDD— 38-16UNC X2 00L	1
51	035110	COVER,CNTRL BOX,ROYAL BLUE	1	113	004215	WSHR LK 398ID 694OD 040T EXT	1
52	050588	SAFETY SWITCH	1	114	003368	NUT,HEX LOCK— 375-16.ZN PLT	2
53	005467	PIN,ROLL— 125 DIA,1 750L	2	115	057731	COVER,PAD—MACH'D,CHOC GRAY	1
54	026903	SWITCH,PUSH—SPST,25A,125/250V	1	116	005266	SCR MACH FLAT HD 250-20X1 37L	5
55	055804	INSULATION PAPER—2 0X2 5	1	117	054222	NOZZLE—1 5DIA,6 13L,ABS	1
56	002439	SCR TPG F PAN HD 10-24X1 00L	4	118	046688	CLAMP,HOSE—1 75 MAX DIA,WORM	2
57	055788-1	CLAMP,CABLE—PLASTIC	4	119	049282	CLAMP,LOOP—1 812 DIA,STL	1
58	047418	HANDLE-GRIP,BLK	2	120	054240	FILTER—4 25DIAx5 25L	1
59	034896	WDMT,HNDL—LARGE SWBOX W/HOLES1	1				
60	048571	CORD HOOK—BODY	1	121	054219	PAD,FOAM—4 0X4 5X 50	2
				122	053714	HOSE,BLK VINYL—1 5IDx30L	1
61	003349	NUT,HEX— 312-18,ZN PLT	2	123	054218	WDMT,BRKT,FLTR—4 0X4 5X6 0 SS	1
62	046595	CLAMP HANDLE LOCK	1	124	005480	NUT,HEX LOCK— 10-24,NYLOC	3

2500 RPM MODEL WIRING DIAGRAM





KENT

The Kent Company
2310 Industrial Parkway
P.O.Box 1665
Elkhart, IN 46515, U.S.A.
Telephone: (800) 334-1083
(219) 293-8661
Fax: (219) 295-8610

083473P-1 10-97 USK