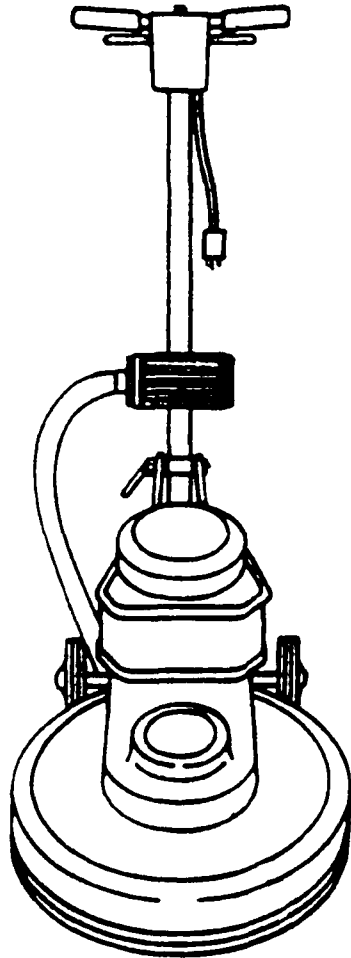


# KENT



## 20" BUFFERS

**KF-1000E** (1000 RPM)(AC MOTOR)

**KF-1500E** (1500 RPM)(AC MOTOR)

**KF-1501E** (1500 RPM)(AC MOTOR)  
WITH DUST CONTROL

**KF-1500D** (1500 RPM)(DC MOTOR)

**KF-1501D** (1500 RPM)(DC MOTOR)  
WITH DUST CONTROL

## OPERATING, MAINTENANCE INSTRUCTIONS & ILLUSTRATED

MARCH 1991

TO AVOID POSSIBLE FLOOR DAMAGE		MACHINE MUST BE KEPT MOVING
CAUTION WHEN OPERATING		

PARA QUE NO SE MALTRATE EL PISO		LA MAQUINA DEBE DE ESTAR CAMINADO
OPERAR CON PRECAUCION		

THE KENT COMPANY  
P.O. Box 1665  
2310 Industrial Parkway  
Eikhart, IN 46515  
TEL: (219)293-8661, (800)334-1083  
~~(219)293-8661~~  
FAX: (219)295-8610  
~~(219)295-8610~~

WRITE THE MODEL AND SERIAL NUMBER OF YOUR UNIT IN THE SPACE PROVIDED.  
REFER TO THE DATA PLATE ON UNIT.

MODEL#

SERIAL#

RETAIN THIS OWNER'S MANUAL FOR FUTURE REFERENCE.

## GENERAL INFORMATION

BEFORE YOU PLUG IN YOUR FLOOR MACHINE, check the voltage rating plate located on the back of the switch box cover below the handle grips to check if it agrees within 10% of the voltage available. (See "Rating Plate"). Connect only to a grounded (3-wire) electrical outlet (See "Grounding Instructions").



CAUTION

DO NOT OIL. The motor in your floor machine is permanently lubricated and sealed. Do not oil the motor at any time.

## IMPORTANT SAFEGUARDS

Accidents due to misuse can only be prevented by those using the machine. To guard against injury, basic safety precautions should be observed, including the following:

Read and follow all safety instructions.

This machine is designed to be safe when used to perform the functions specified in the Owner's Guide. Should damage occur to electrical or mechanical parts, the machine should be repaired by the manufacturer or competent service station before using in order to avoid further damage to machine or physical injury to user.

## SAFETY

### RECOMMENDATIONS:

### BE SAFE - AVOID HAZARDS

Your floor machine is equipped with a safety switch-lock and power switch triggers designed for your safety. Do not attempt to bypass or defeat the safety switch-lock. Never use any device to lock the power switch triggers in the "ON" position.

A damaged power cord could cause electrical shock and/or fire. To minimize this possibility observe the following precautions:

Use care to keep electrical supply cord from contacting the rotating brush or drive block.

Avoid closing doors on power cord, pulling it around sharp-edges, or placing sharp-edged objects upon it.

Wind cord no tighter than is necessary to retain it during storage. Refer to Owner's Guide.

When disconnecting power cord from electrical outlet, grasp the plug. Pulling it out by the cord itself can damage cord insulation and internal connections to plug. Also, avoid damage to insulation by keeping cord away from oil and heat.

To avoid hazardous conditions, do not use your machine in areas where flammable and/or explosive vapors or dust are present.

Always disconnect the floor machine from electrical outlet before servicing machine, such as changing brushes, pads, etc.

Your floor machine is not a toy. Do not allow children or unauthorized personnel to play with unit. Do not leave floor machine connected to an electrical outlet and left unattended.

Connect only to a grounded (3-wire) electrical outlet.

Warning - To avoid electrical shock use indoors only.

## SERVICE INFORMATION

To obtain consistent performance over the life of your floor machine, read through these instructions and keep them handy for future reference. If you require service, contact the dealer from whom the floor machine was purchased or the authorized Kent Service Agency. Always refer to your Kent Limited Warranty for complete service information.

THE KENT CO.		
ELKHART, INDIANA USA		
SERIAL NO	MODEL	
VOLTS	PHASE	Hz
MOTOR 1	A.M.P.	H.P.
MOTOR 2	A.M.P.	H.P.

The model, type, and serial number are indicated on the rating plate. For prompt and complete service information, always refer to these numbers when inquiring about service.

# GROUNDING INSTRUCTIONS

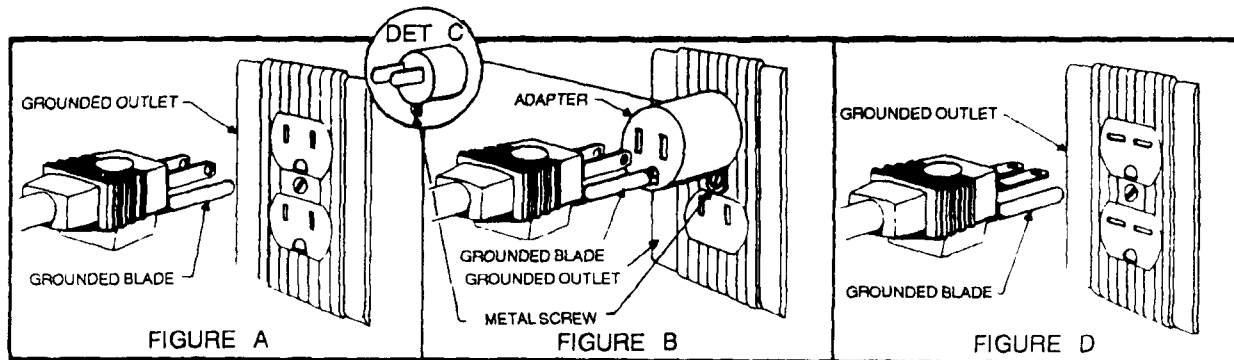
This floor machine should be grounded while in use to protect the operator from electrical shock. The machine is equipped with a 3 conductor cord and a 3 prong grounding type attachment plug cap to fit the proper grounding type receptacle. The green (or green & yellow) conductor in the cord is the grounding wire. Never connect this wire to other than the grounding blade of the attachment plug.

## FLOOR FINISHING MACHINES RATED LESS THAN 150 VOLTS-

If the floor finishing machine is provided with an attachment plug cap as shown in Figure A, it is intended for use on a 120 Volt (nominal) circuit. If a properly grounded receptacle as shown in Figure A is not available, and adaptor as shown in Det. C is available and should be installed as shown in Figure B if the outlet box that houses the receptacle is grounded. Be sure to fasten the grounding tab with a metal faceplate screw.

## FLOOR FINISHING MACHINES RATED 150-250 VOLTS-

If the machine is provided with an attachment plug cap as shown in Figure D, it is intended for use on a 240 Volt (nominal) circuit. No adaptor is available for this cap.



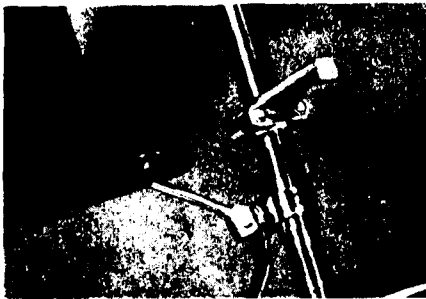
# HOW TO USE YOUR FLOOR MACHINE FOR COMMERCIAL USE

Your floor machine is packed completely assembled and ready for use after you install a pad. (Pads are not provided with the unit but are available at an additional cost.)

Make sure you use the correct pad for the type of job you want to perform. (See the "Kent Accessory Catalog" available from the dealer from whom the floor machine was purchased, or the local authorized Kent Service Agency.)

## HANDLE ADJUSTMENT

The handle of your floor machine can be adjusted to any comfortable work position. Simply pull upward on the handle locking device located on the lower handle shaft to release the lock, then adjust the handle to the desired position and push down firmly on the handle locking device to lock handle in position.



The proper handle position adjustment will greatly improve the handling ability of the machine. Adjust the handle to a position where you can control the brush or pad surface balances flat and level on the floor. You will want to experiment with the handle position to find the handle height at which the unit operates best for you.

## ON/OFF POWER SWITCH TRIGGERS

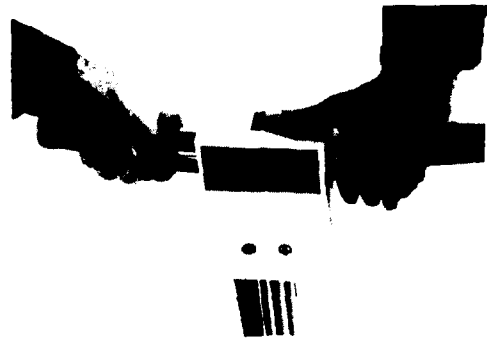
The ON/OFF switch is conveniently located in the form of dual triggers underneath the handle grips.

### TO TURN MACHINE ON

Handle should be lowered to operating position before turning machine on. Place both hands firmly on handle grips with fingers around power triggers. Do not apply pressure on triggers before safety switch-lock is disengaged.

Disengage safety switch-lock by pushing it away from you with one thumb. Then, while holding safety switch-

lock in disengaged position, squeeze the power triggers toward the handle grips and return thumb to handle grip.

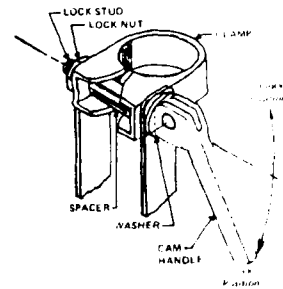


To stop machine simply release triggers. Safety switch-lock will automatically return to engaged position.

## HANDLE LOCK ASSEMBLY

### ADJUSTMENT INSTRUCTIONS

With cam handle above horizontal (unlock position) tighten lock nut until there is a slight drag when machine



handle tube is raised and lowered. Then loosen lock nut slightly (1 turn) until machine handle tube moves freely.

Handle tube should not lock securely when cam handle is pressed downward. If handle tube does not lock securely, then tighten lock nut slightly.

## CIRCUIT BREAKER

If the machine becomes overloaded, it will turn off automatically. It is recommended that the cause of overloading the machine be determined before restarting. To restart, wait one minute after machine shuts off then press reset button located on the side of the switch box.



## **DRIVE BELT ADJUSTMENT**

When drive belt adjustment is necessary:

1. Loosen the 4 nuts securing the drive motor to the frame.
2. Adjust belt tension screw by evenly turning clockwise the two screws at the rear of the frame one turn.
3. Test machine with pad and pad holder. If belt slips, adjust further. If belt does not slip, tighten motor screws. Do not overtighten belt, this could cause machine to be noisy.



## **GUIDELINE FOR OPERATION**

- Your floor machine is a very sensitive, powerful unit. When in operation, it should be guided gradually and smoothly without sudden or rough motions. You will want to practice with your machine on a smooth surface first until you have experience in operating it.
- Always adjust the handle to a comfortable height at which the brush or pad surface is balanced before starting the machine (see "Handle Adjustment").
- BEGIN OPERATING THE FLOOR MACHINE WITH THE BRUSH OR PAD SURFACE LEVEL, BALANCED AND FLAT ON THE FLOOR.
- Do not use this floor machine for purposes other than buffing. The pad assembly revolves too quickly for scrubbing or shampooing. After being used, your floor machine can be wiped clean with a soft, damp cloth and should be stored in a clean, dry place. Do not allow machine to rest on pad for an extended period of time. The pad could take a set and cause the machine to vibrate excessively.
- The weight of the machine remains on the rear wheels during operation. Do not attempt to guide the machine from left to right as is done with other floor machines. Move the machine forward at an even, continuous rate. If the machine is held in one spot too long, the high speed of the pad may damage the floor.

## **MODEL - 1501E & 1501D**

These models are equipped with a heavy duty dust control cartridge filter. For best and continued good results, this filter should be cleaned and all contaminants removed weekly. The polyester type filter can be cleaned by blowing the dirt out with an air hose or by washing with warm water and detergents. Be sure to rinse and dry thoroughly before reinstallation.

## **CORD STORAGE**

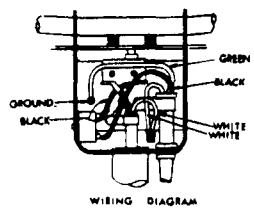
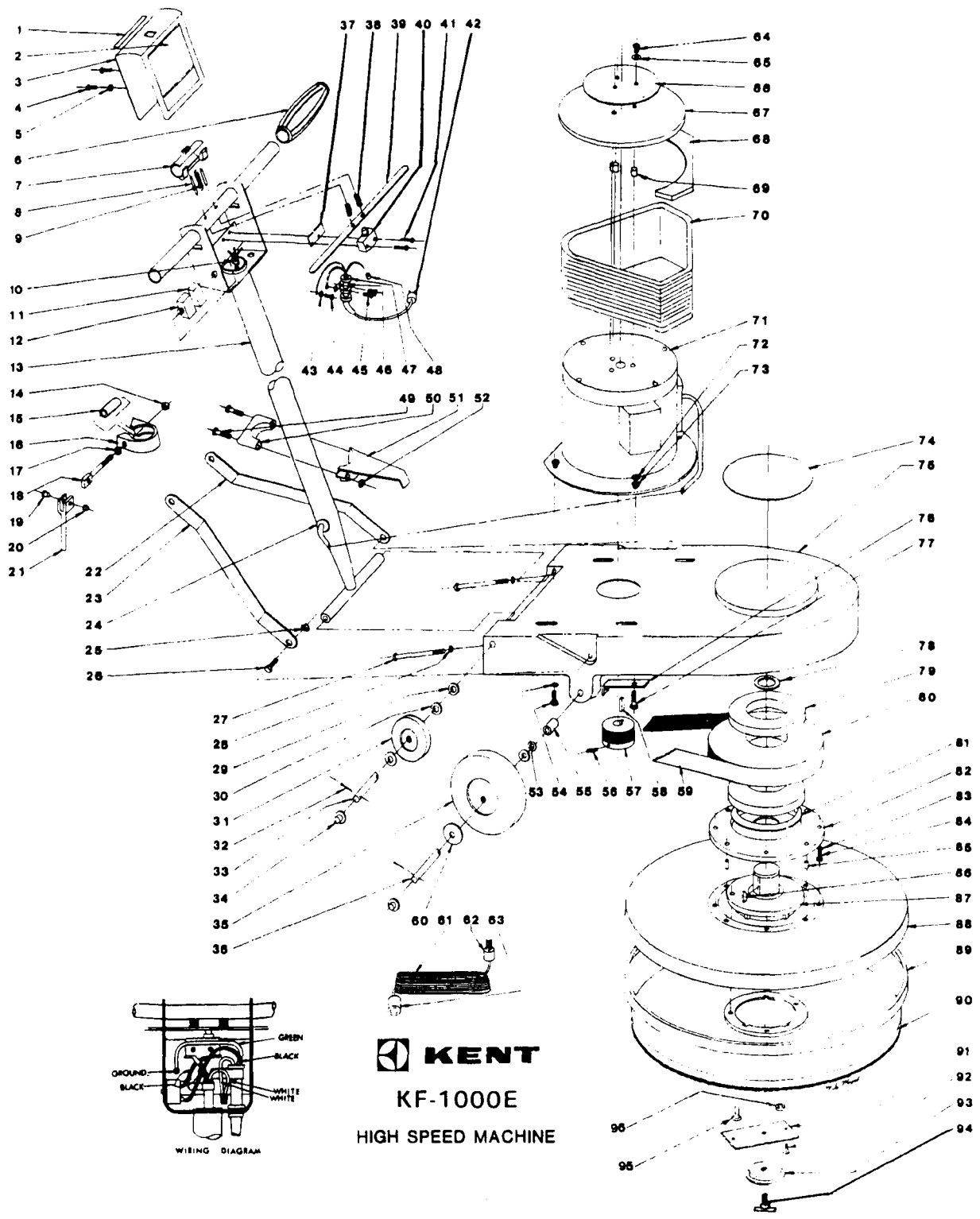
When not in use, loosely wind the power cord around the cord storage hook on the handle shaft and one of the handle grips, as shown.



## **MACHINE STORAGE**

Store machine by tilting back so that all four wheels rest on the floor. Detachable supply cord may be coiled and stored separately or with machine.



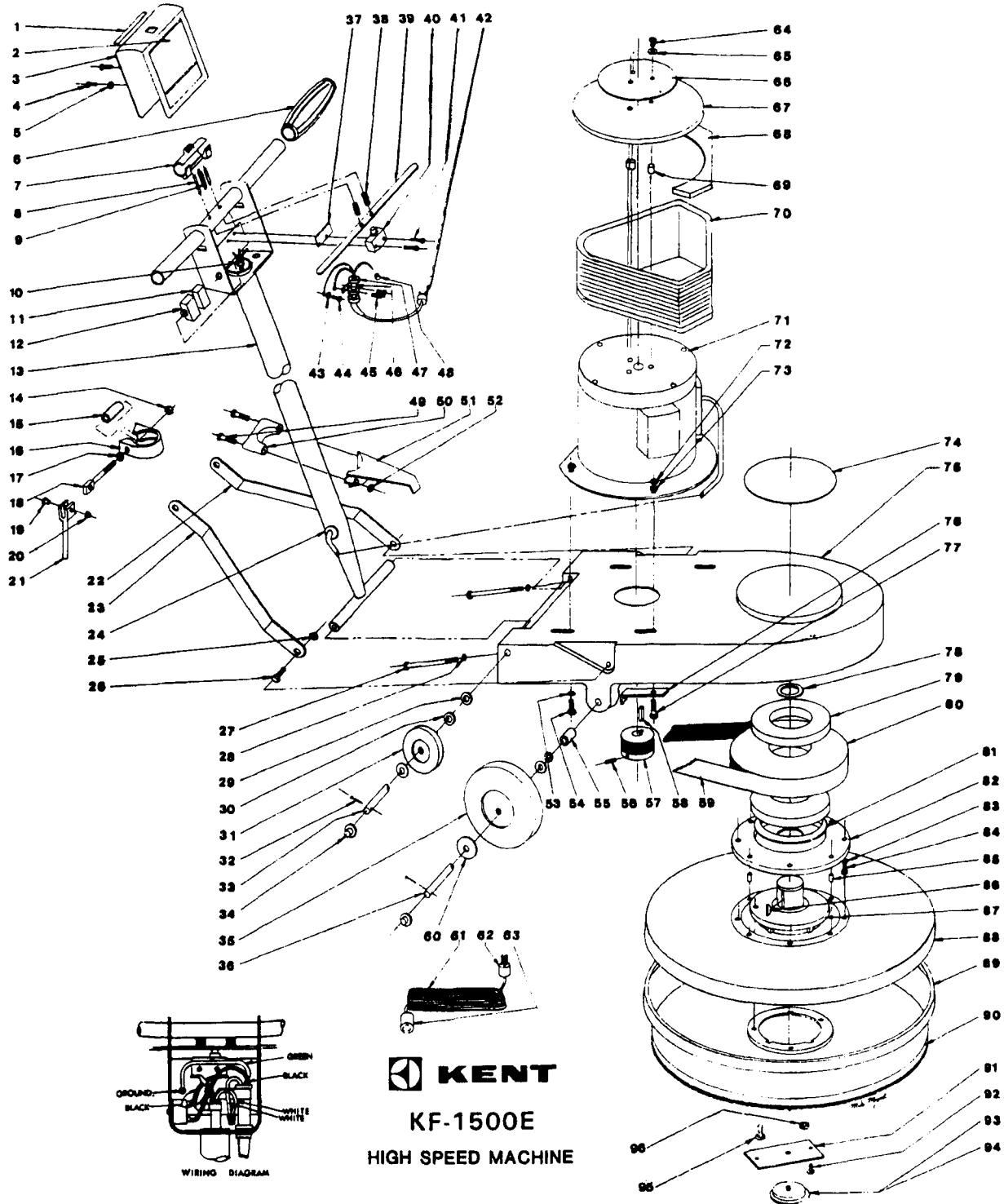


**KENT**  
KF-1000E  
HIGH SPEED MACHINE

# KF-1000E

DET	PART NO.	DESCRIPTION	QUANT
	003224	SCR CAP HEX HD .375-16X.750L	3
	024292	CAPACITOR--534 UFD,115V,4.355L	1
	024293	CAPACITOR--50 UFD,115V,3.725L	1
	026677	SWITCH,STA--FOR DOERR FM MTR'S	1
	026678	CENTRIFUGAL SWITCH--60 CYCLE	1
	026770	CENTRIFUGAL SWITCH --50 CYCLE	1
	027177	BRG,BALL--.669ID,1.575OD,.472W	1
	027212	BRG,BALL--.787ID,1.850OD,.551W	1
	038653	ARMATURE,MTR--FOR 24196	1
1	050785	LABEL,INSTR--TILT TO START	1
2	050784	LABEL,IDENT--KENT HIGH SPEED	1
3	033665	ASM,COVER--SWITCHBOX,CHROME	1
4	001331	SCR TPG C PAN HD 10-24X.750L	2
5	004253	WSHR LK .204ID.410OD.025T EXT	2
6	046652	HANDLE-GRIPS BLUE	2
7	050588	SAFETY SWITCH	1
8	005467	PIN,ROLL--.125 DIA,1.750L	2
9	048785	SPRING,EXT .250D 2.00L .026WD	1
10	046647	CLAMP,LOOP--.500 DIA.,STL	1
11	050252	TUBING,INSIL--2.38 OD,3.00 LG	1
12	026699	CIRCUIT BREAKER 20 AMP	1
12	026751	CIRCUIT BREAKER--10AMP	1
13	033047	WDMT,HANDLE--FL MACH	1
14	005279	NUT,HEX LOCK--.375-16,NYLOC	1
15	046606	SPACER,RBR--.325X.656,2.000L	1
16	046595	CLAMP HANDLE LOCK	1
17	046607	WSHR SLTD .227X.656,1.00OD.073	1
18	046597	CLAMP STUD	1
19	004314	RIVET,SOLID--RD HD,.312X1.250L	1
20	046632	NUT,PUSH--.312,WASHER CAP,ZN P	1
21	046596	CAM-HANDLE LOCK	1
22	050767	CONNECTING LEG-LEFT	1
23	050766	CONNECTING LEG-RIGHT	1
24	046651	GROM--.625 ID,.875 MHD,.062 PA	1
25	003368	NUT,HEX LOCK--.375-16,ZN PLT	2
26	003265	SCR CAP HEX HD .375-16X1.50L	2
27	005558	SCR CAP HEX HD .250-20X5.50L	2
28	004254	WSHR LK .267ID.510OD.028T EXT	2
29	005449	WSHR SPR TNSN .531ID.880OD.030	2
30	004230	WSHR FLT .515ID.750OD.031T FBR	8
31	052213	WHEEL--RS 48058 W/3 HOLES,5"	2
32	005383	PIN,COTTER--.094X1.000 LONG	4
33	050765	AXLE-H.S. FL MACH KF205H	1
34	052204	CAP,HUB--PLASTIC,3.68OD,3.25BC	4
35	052218	WHEEL--RS 50776 W/3 HOLES,6IN	2
36	050764	AXLE H.S. FLOOR MACHINE	1
37	046653	INSUL PAPER	1
38	046648	SPRING,COMP .344D .687L .032WD	2
39	046643	TRIGGER	1
40	026412	SWITCH-PUSH--SPDT,21A,120-240V	1
41	001312	SCR TPG C RD HD 6-32X1.00L	2
42	026672	CONN,PLUG--3-WR,15A,125V,TWIST	1
43	005347	WSHR FLT .188ID.438OD.065T BRS	1
44	001255	SCR MACH RD HD 8-32X.375L	1
45	005316	SCR TPG F PAN HD 10-24X.375L	3
46	046642	CLAMP,LOOP--.875DIA,VINYL COAT	1
47	025528	CABLE,ELEC--14-3,ST,GRAY,15IN	1

DET	PART NO.	DESCRIPTION	QUANT
48	026400	NUT,WIRE--IDEAL 74B	1
49	005515	SCR MACH FIL HD .312-18X1.75L	2
50	048572	CORD HOOK-CAP R/S 97346	1
51	048571	CORD HOOK R/S 97345	1
52	003349	NUT,HEX--.312-18,ZN PLT	2
53	004217	WSHR FLT .344ID.625OD.071T STL	2
54	003246	SCR CAP HEX HD .312-18X1.00L	2
55	047075	SPACER,STL--.506X.750,1.000L,Z	2
56	005387	SCR SET CUP PT .312-18X.500L	1
57	050779	PULLEY-DRIVE KF205H	1
58	040673	KEY,SQUARE--.187 SQ,1.000 LONG	1
59	050778	BELT 340J10 KF205H	1
60	004475	WSHR FLT .500ID1.87OD.105T STL	2
61	025526	CORD,POWER--14-3,ST,GRAY,EXTSN	1
61	025527	CORD,POWER--14-3,ST,GRAY,75'	1
61	025720	CORD,POWER--12-2,SJO,GRAY,75'	1
62	026675	CONN,PLUG--3-WR,15A,125V,HOSPI	1
63	026676	CONN,RCPT--3-WR,15A,125V,TWIST	1
64	001369	SCR MACH PAN HD 10-32X.750L	3
65	004253	WSHR LK .204ID.410OD.025T EXT	3
66	050060	LABEL,IDENT--INDL FL,6.50 CIR	1
67	050013	DRIP COVER-MOTOR	1
68	050781	COVER-MOTOR CAPACITORS	1
69	050872	SPACER,PHEN--.250X.500,.375L	3
70	050903	COVER-MOTOR	1
71	024196	MTR,AC--115/60,1.50HP,1740RPM	1
71	024197	MTR,AC--230/50,1.50HP,1440RPM	1
71	024243	MTR,MODIFIED--24197 WIRED 110V	1
71	024342	MTR,AC--100/50,1.50HP,1440RPM	1
72	003349	NUT,HEX--.312-18,ZN PLT	4
73	004212	WSHR LK .326ID.586OD.078TSPLT	4
74	050783	LABEL,IDENT--1000 RPM,4.75 CIR	1
75	050761	FRAME - H S	1
76	050941	BRACKET-BELT ADJUSTMENT	4
77	003249	SCR CAP HEX HD .312-18X1.25L	2
78	004473	RING,RTNG--EXT.1.37 SHAFT,5100	1
79	027219	BRG,BALL--1.37ID,3.149OD,.827W	2
80	050774	PULLEY,GRVD--10 GRV,4.50PD	1
81	004474	WSHR SPR TNSN 2.67ID2.98OD.030	1
82	050762	HOUSING-H.S.	1
83	002278	WSHR LK .262ID.489OD.062TSPLT	4
84	002260	SCR CAP SOC HD .250-20X1.00L	4
85	004477	PIN,DOWEL--.250X1.500 LONG	2
86	050775	KEY,WOODRUFF--#608,1.00D,.187W	1
87	033241	WDMT,CLUTCH & SHAFT	1
88	052318	COVER,BRUSH--20",ALUMINUM,MCH	1
89	049587	BUMPER BLUE 20 IN.	1
90	020352	ASM,PAD HOLDER--18.00",PLSTFLX	1
90	020353	HOLDER,PAD--18.00",PLASTIC	1
91	052736	BAR,STL--.179X1.25X 6.12L	1
92	002382	SCR TPG F PAN HD 10-B X.500L	2
93	052373	CLAMPING PLATE--H.S.PAD HOLDER	1
94	033816	WDMT,PAD RETAINER--KB-2000B	1
95	002253	SCR CAP HEX HD .250-20X.750L	3
96	052224	SPACER,STL--.315X.500,.125L,Z	2

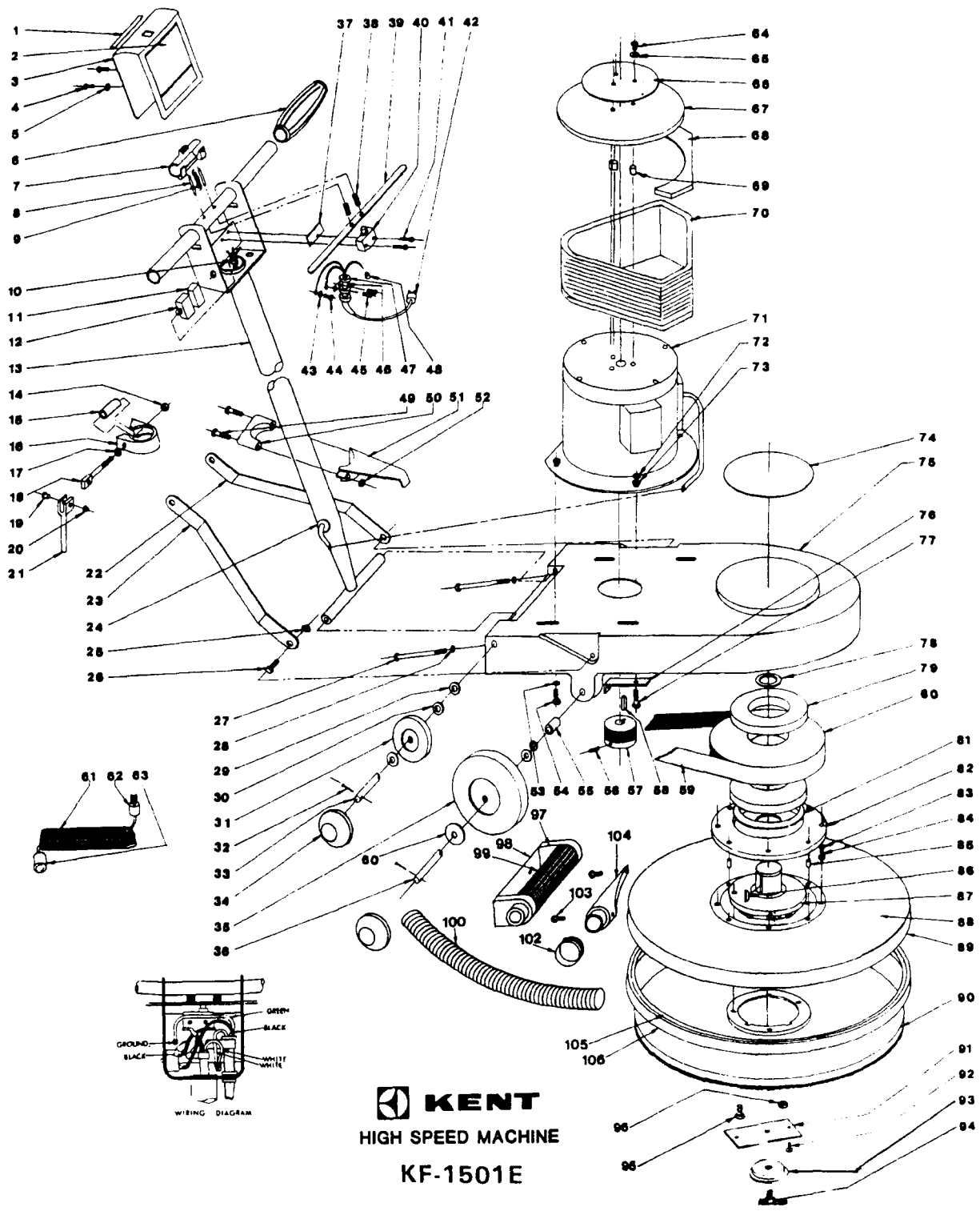




# KF-1500E

DET	PART NO.	DESCRIPTION	QUANT
	024292	CAPACITOR--534 UFD,115V,4.355L	1
	024293	CAPACITOR--50 UFD,115V,3.725L	1
	026932	SWITCH,CENT--2.25ODX.81 ID, 60Hz	1
	026933	SWITCH,STAT--2.50WX3.50L	1
	027006	SWITCH,CENT--2.25X.81,50HZ	1
	027177	BRG,BALL--.669ID,1.575OD,.472W	1
	027212	BRG,BALL--.787ID,1.850OD,.551W	1
	038653	ARMATURE,MTR--FOR 24196	1
1	050785	LABEL,INSTR--TILT TO START	1
2	050784	LABEL,IDENT--KENT HIGH SPEED	1
3	033665	ASM,COVER--SWITCHBOX,CHROME	1
4	001331	SCR TPG C PAN HD 10-24X.750L	2
5	004253	WSHR LK .204ID.410OD.025T EXT	2
6	046652	HANDLE-GRIPS BLUE	2
7	050588	SAFETY SWITCH	1
8	005467	PIN,ROLL--.125 DIA,1.750L	2
9	048785	SPRING,EXT .250D 2.00L .026WD	1
10	046647	CLAMP,LOOP--.500 DIA.,STL	1
11	050252	TUBING,INSUL--2.38 OD,3.00 LG	1
12	026699	CIRCUIT BREAKER 20 AMP	1
12	026751	CIRCUIT BREAKER--10AMP	1
13	033047	WDMT,HANDLE--FL MACH	1
14	005279	NUT,HEX LOCK--.375-16,NYLOC	1
15	046606	SPACER,RBR--.325X.656,2.000L	1
16	046595	CLAMP HANDLE LOCK	1
17	046607	WSHR SLTD .227X.656,1.00OD.073	1
18	046597	CLAMP STUD	1
19	004314	RIVET,SOLID--RD HD,.312X1.250L	1
20	046632	NUT,PUSH--.312,WASHER CAP,ZN P	1
21	046596	CAM-HANDLE LOCK	1
22	050767	CONNECTING LEG-LEFT	1
23	050766	CONNECTING LEG-RIGHT	1
24	046651	GROM--.625 ID,.875 MHD,.062 PA	1
25	003368	NUT,HEX LOCK--.375-16,ZN PLT	2
26	003265	SCR CAP HEX HD .375-16X1.50L	2
27	005558	SCR CAP HEX HD .250-20X5.50L	2
28	004254	WSHR LK .267ID.510OD.028T EXT	2
29	005449	WSHR SPR TNSN .531ID.880OD.030	2
30	004230	WSHR FLT .515ID.750OD.031T FBR	8
31	052213	WHEEL--RS 48058 W/3 HOLES,5"	2
32	005383	PIN,COTTER--.094X1.000 LONG	4
33	050765	AXLE-H.S. FL MACH KF205H	1
34	052204	CAP,HUB--PLASTIC,3.68OD,3.25BC	4
35	052218	WHEEL--RS 50776 W/3 HOLES,6IN	2
36	050764	AXLE H.S. FLOOR MACHINE	1
37	046653	INSUL PAPER	1
38	046648	SPRING,COMP .344D .687L .032WD	2
39	046643	TRIGGER	1
40	026412	SWITCH-PUSH--SPDT,21A,120-240V	1
41	001312	SCR TPG C RD HD 6-32X1.00L	2
42	026672	CONN,PLUG--3-WR,15A,125V,TWIST	1
43	005347	WSHR FLT .188ID.438OD.065T BRS	1
44	001255	SCR MACH RD HD 8-32X.375L	1
45	005316	SCR TPG F PAN HD 10-24X.375L	3
46	046642	CLAMP,LOOP--.875DIA,VINYL COAT	1

DET	PART NO.	DESCRIPTION	QUANT
47	025528	CABLE,ELEC--14-3,ST,GRAY,15IN	1
48	026400	NUT,WIRE--IDEAL 74B	1
49	005515	SCR MACH FIL HD .312-18X1.75L	2
50	048572	CORD HOOK-CAP R/S 97346	1
51	048571	CORD HOOK R/S 97345	1
52	003349	NUT,HEX--.312-18,ZN PLT	2
53	004217	WSHR FLT .344ID.625OD.071T STL	2
54	003246	SCR CAP HEX HD .312-18X1.00L	2
55	047075	SPACER,STL--.506X.750,1.000L,Z	2
56	005387	SCR SET CUP PT .312-18X.500L	1
57	052902	PULLEY,GRVD--10 GRV,2.750 PD	1
58	040673	KEY,SQUARE--.187 SQ,1.000 LONG	1
59	051894	BELT,V--10 V'S,32.0" PITCH L	1
60	004475	WSHR FLT .500ID1.87OD.105T STL	2
61	025526	CORD,POWER--14-3,ST,GRAY,EXTSN	1
61	025527	CORD,POWER--14-3,ST,GRAY,75'	1
62	026675	CONN,PLUG--3-WR,15A,125V,HOSPI	1
63	026676	CONN,RCPT--3-WR,15A,125V,TWIS1	1
64	001369	SCR MACH PAN HD 10-32X.750L	3
65	004253	WSHR LK .204ID.410OD.025T EXT	3
66	050060	LABEL,IDENT--INCL FL,6.50 CIR	1
67	050013	DRIP COVER-MOTOR	1
68	050781	COVER-MOTOR CAPACITORS	1
69	050872	SPACER,PHEN--.250X.500, .375L	3
70	050903	COVER-MOTOR	1
71	024196	MTR,AC--115/60,1.50HP,1740RPM	1
71	024197	MTR,AC--230/50,1.50HP,1440RPM	1
71	024243	MTR,MODIFIED--24197 WIRED 110V	1
72	003349	NUT,HEX--.312-18,ZN PLT	4
73	004212	WSHR LK .326ID.586OD.078TSPLT	4
74	053493	LABEL,IDENT--1500 RPM,4.75 CIR	1
75	050761	FRAME - H S	1
76	050941	BRACKET-BELT ADJUSTMENT	4
77	003249	SCR CAP HEX HD .312-18X1.25L	2
78	004473	RING,RTNG--EXT.1.37 SHAFT,5100	1
79	027219	BRG,BALL--1.37ID,3.149OD,.827W	2
80	053492	PULLEY,GRVD--10 GRV,3.178PD	1
81	004474	WSHR SPR TNSN 2.67ID2.98OD.030	1
82	050762	HOUSING-H.S.	1
83	002278	WSHR LK .262ID.489OD.062TSPLT	4
84	002260	SCR CAP SOC HD .250-20X1.00L	4
85	004477	PIN,DOWEL--.250X1.500 LONG	2
86	050775	KEY,WOODRUFF--#608,1.00D,.187W	1
87	033769	WDMT,PLATE/SHAFT--DRIVE	1
88	053494	COVER,BRUSH--20",ALUM,PLATED	1
89	049587	BUMPER BLUE 20 IN.	1
90	020352	ASM,PAD HOLDER--18.00",PLSTFLX	1
90	020353	HOLDER,PAD--18.00",PLASTIC	1
91	052736	BAR,STL--.179X1.25X 6.12L	1
92	002382	SCR TPG F PAN HD 10-B X.500L	2
93	052373	CLAMPING PLATE--H.S.PAD HOLDER	1
94	033816	WDMT,PAD RETAINER--KB-2000B	1
95	001493	SCR CAP FLAT HD--.375-16X1.00L	3
96	052224	SPACER,STL--.315X.500, .125L,Z	2

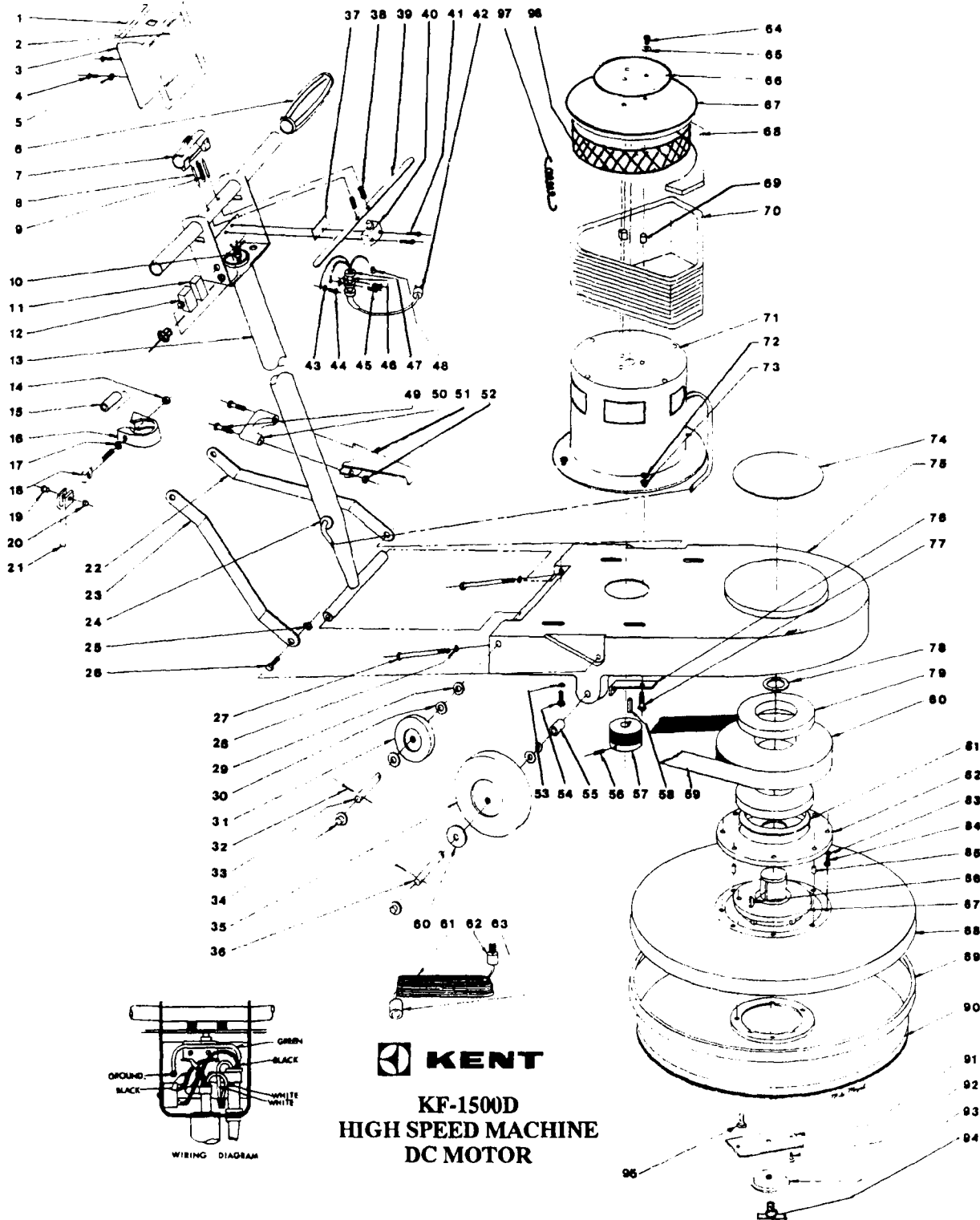


**KENT**  
HIGH SPEED MACHINE  
KF-1501E

# KF-1501E

DET	PART NO.	DESCRIPTION	QUANT
	001295	SCR MACH RD HD 10-24X.625L	1
	024292	CAPACITOR--534 UFD,115V,4.355L	1
	024293	CAPACITOR--50 UFD,115V,3.725L	1
	026932	SWITCH,CENT--2.25ODX.81 ID, 60Hz	1
	026933	SWITCH,STAT--2.50WX3.50L	1
	027006	SWITCH,CENT--2.25X.81,50HZ	1
	027177	BRG,BALL--.669ID,1.575OD,.472W	1
	027212	BRG,BALL--.787ID,1.850OD,.551W	1
	038653	ARMATURE,MTR--FOR 24196	1
	222224	NUT,HEX LOCK-- 10-24,ZN PLT	1
	224015	WSHR FLT .187ID1.00OD.063T STL	1
1	050785	LABEL,INSTR--TILT TO START	1
2	050784	LABEL,IDENT--KENT HIGH SPEED	1
3	033665	ASM,COVER--SWITCHBOX,CHROME	1
4	001331	SCR TPG C PAN HD 10-24X.750L	2
5	004253	WSHR LK .204ID.410OD.025T EXT	2
6	046652	HANDLE-GRIPS BLUE	2
7	050588	SAFETY SWITCH	1
8	005467	PIN,ROLL--.125 DIA,1.750L	2
9	048785	SPRING,EXT .250D 2.00L .026WD	1
10	046647	CLAMP,LOOP--.500 DIA.,STL	1
11	050252	TUBING,INSIL--2.38 OD,3.00 LG	1
12	026699	CIRCUIT BREAKER 20 AMP	1
12	026751	CIRCUIT BREAKER--10AMP	1
13	033047	WDMT,HANDLE--FL MACH	1
14	005279	NUT,HEX LOCK--.375-16,NYLOC	1
15	046606	SPACER,RBR--.325X.656,2.000L	1
16	046595	CLAMP HANDLE LOCK	1
17	046607	WSHR SLTD .227X.656,1.00OD.073	1
18	046597	CLAMP STUD	1
19	004314	RIVET,SOLID--RD HD,.312X1.250L	1
20	046632	NUT,PUSH--.312,WASHER CAP,ZN P	1
21	046596	CAM-HANDLE LOCK	1
22	050767	CONNECTING LEG-LEFT	1
23	050766	CONNECTING LEG-RIGHT	1
24	046651	GROM--.625 ID,.875 MHD,.062 PA	1
25	003368	NUT,HEX LOCK--.375-16,ZN PLT	2
26	003265	SCR CAP HEX HD .375-16X1.50L	2
27	005558	SCR CAP HEX HD .250-20X5.50L	2
28	004254	WSHR LK .267ID.510OD.028T EXT	2
29	005449	WSHR SPR TNSN .531ID.880OD.030	2
30	004230	WSHR FLT .515ID.750OD.031T FBR	8
31	052213	WHEEL--RS 48058 W/3 HOLES,5"	2
32	005383	PIN,COTTER--.094X1.000 LONG	4
33	050765	AXLE-H.S. FL MACH KF205H	1
34	052204	CAP,HUB--PLASTIC,3.68OD,3.25BC	4
35	052218	WHEEL--RS 50776 W/3 HOLES,6IN	2
36	052388	AXLE--H.S.F.M..50DIA X 17.50L	1
37	046653	INSUL PAPER	1
38	046648	SPRING,COMP .344D .687L .032WD	2
39	046643	TRIGGER	1
40	026412	SWITCH-PUSH--SPDT,21A,120-240V	1
41	001312	SCR TPG C RD HD 6-32X1.00L	2
42	026672	CONN,PLUG--3-WR,15A,125V,TWIST	1
43	005347	WSHR FLT .188ID.438OD.065T BRS	1
44	001255	SCR MACH RD HD 8-32X.375L	1
45	005316	SCR TPG F PAN HD 10-24X.375L	3
46	046642	CLAMP,LOOP--.875DIA,VINYL COAT	1
47	025528	CABLE,ELEC--14-3,ST,GRAY,15IN	1
48	026400	NUT,WIRE--IDEAL 74B	1

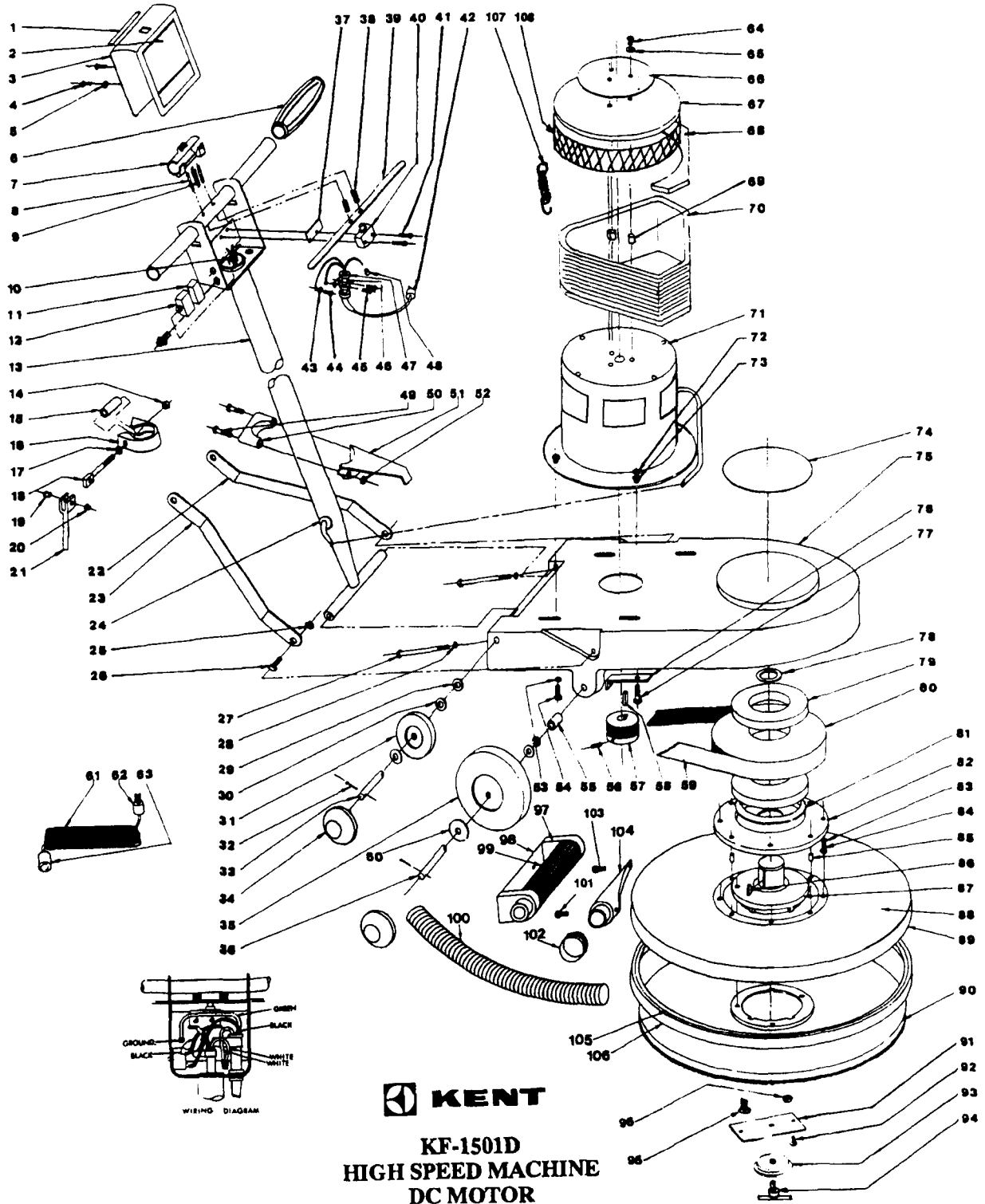
DET	PART NO.	DESCRIPTION	QUANT
49	005515	SCR MACH FIL HD .312-18X1.75L	2
50	048572	CORD HOOK-CAP R/S 97346	1
51	048571	CORD HOOK R/S 97345	1
52	003349	NUT,HEX--.312-18,ZN PLT	2
53	004217	WSHR FLT .344ID.625OD.071T STL	2
54	003246	SCR CAP HEX HD .312-18X1.00L	2
55	052387	SPACER,STL--.750ODX.506IDX2.00	2
56	005387	SCR SET CUP PT .312-18X.500L	1
57	052902	PULLEY,GRVD--10 GRV,2.750 PD	1
58	040673	KEY,SQUARE--.187 SQ,1.000 LONG	1
59	051894	BELT,V--10 V'S,32.0" PITCH L	1
60	004475	WSHR FLT .500ID1.87OD.105T STL	2
61	025526	CORD,POWER--14-3,ST,GRAY,EXTSN	1
61	025527	CORD,POWER--14-3,ST,GRAY,75'	1
62	026675	CONN,PLUG--3-WR,15A,125V,HOSPI	1
63	026676	CONN,RCPT--3-WR,15A,125V,TWIST	1
64	001369	SCR MACH PAN HD 10-32X.750L	3
65	004253	WSHR LK .204ID.410OD.025T EXT	3
66	050060	LABEL,IDENT--INDL FL,6.50 CIR	1
67	050013	DRIP COVER-MOTOR	1
68	050781	COVER-MOTOR CAPACITORS	1
69	050872	SPACER,PHEN--.250X.500,.375L	3
70	050903	COVER-MOTOR	1
71	024196	MTR,AC--115/60,1.50HP,1740RPM	1
71	024197	MTR,AC--230/50,1.50HP,1440RPM	1
71	024243	MTR,MODIFIED--24197 WIRED 110V	1
72	003349	NUT,HEX--.312-18,ZN PLT	4
73	004212	WSHR LK .326ID.586OD.078TSPLT	4
74	053493	LABEL,IDENT--1500 RPM,4.75 CIR	1
76	050941	BRACKET-BELT ADJUSTMENT	4
77	003249	SCR CAP HEX HD .312-18X1.25L	2
78	004473	RING,RTNG--EXT.1.37 SHAFT,5100	1
79	027219	BRG,BALL--1.37ID,3.149OD,.827W	2
80	053492	PULLEY,GRVD--10 GRV,3.178PD	1
81	004474	WSHR SPR TNSN 2.67ID2.98OD.030	1
82	050762	HOUSING-H.S.	1
83	002278	WSHR LK .262ID.489OD.062TSPLT	4
84	002260	SCR CAP SOC HD .250-20X1.00L	4
85	004477	PIN,DOWEL--.250X1.500 LONG	2
86	050775	KEY,WOODRUFF--#608,1.00D,.187W	1
87	033241	WDMT,CLUTCH & SHAFT	1
88	054344	COVER,BRUSH--20"ALUM, MACH	1
89	049587	BUMPER BLUE 20 IN.	1
90	020352	ASM,PAD HOLDER--18.00",PLSTFLX	1
90	020353	HOLDER,PAD--18.00",PLASTIC	1
91	052736	BAR,STL--.179X1.25X 6.12L	1
92	002382	SCR TPG F PAN HD 10-B X.500L	2
93	052373	CLAMPING PLATE--H.S.PAD HOLDER	1
94	033816	WDMT,PAD RETAINER--KB-2000B	1
95	001493	SCR CAP FLAT HD--.375-16X1.00L	3
96	052224	SPACER,STL--.315X.500,.125L,Z	2
97	054219	PAD,FOAM--4.0X4.5X.50	2
98	054218	BRACKET,FILTER--4.0X4.5X6.0 SS	1
99	054240	FILTER--4.25DIA X 5.25L	1
100	054220	HOSE--1.5DIA,26.0L,BLUE	1
102	046688	CLAMP,HOSE--1.75 MAX DIA,WORM	2
103	001462	OBS,REPLACED BY 001295	2
104	054222	NOZZLE--1.5DIA,6.0L,ABS	1
105	034390	WDMT,AIR GUARD,19.7DIA X 3.12STL	1
106	054277	EXTRUSION,VINYL--AIR GUARD	1



# KF-1500D

DET PART NO.	DESCRIPTION	QUANT
1 050785	LABEL, INSTR--TILT TO START	1
2 050784	LABEL, IDENT--KENT HIGH SPEED	1
3 033665	ASM, COVER--SWITCHBOX, CHROME	1
4 001331	SCR TPG C PAN HD 10-24X.750L	2
5 004253	WSHR LK .204ID.410OD.025T EXT	2
6 046652	HANDLE-GRIPS BLUE	2
7 050588	SAFETY SWITCH	1
8 005467	PIN, ROLL-- .125 DIA, 1.750L	2
9 048785	SPRING, EXT .250D 2.00L .026WD	1
10 046647	CLAMP, LOOP-- .500 DIA., STL	1
11 050252	TUBING, INSIL--2.38 OD, 3.00 LG	1
12 026699	CIRCUIT BREAKER 20 AMP	1
12 026751	CIRCUIT BREAKER--10AMP	1
13 034131	WDMT, HANDLE--KF2000E/C20A	1
14 005279	NUT, HEX LOCK-- .375-16, NYLOC	1
15 046606	SPACER, RBR-- .325X.656, 2.000L	1
16 046595	CLAMP HANDLE LOCK	1
17 046607	WSHR SLTD .227X.656, 1.000D.073	1
18 046597	CLAMP STUD	1
19 004314	RIVET, SOLID--RD HD, .312X1.250L	1
20 046632	NUT, PUSH-- .312, WASHER CAP, ZN P	1
21 046596	CAM-HANDLE LOCK	1
22 050767	CONNECTING LEG-LEFT	1
23 050766	CONNECTING LEG-RIGHT	1
24 046651	GROM-- .625 ID, .875 MHD, .062 PA	1
25 003368	NUT, HEX LOCK-- .375-16, ZN PLT	2
26 003265	SCR CAP HEX HD .375-16X1.50L	2
27 005558	SCR CAP HEX HD .250-20X5.50L	2
28 004254	WSHR LK .267ID.510OD.028T EXT	2
29 005449	WSHR SPR TNSN .531ID.880OD.030	2
30 004230	WSHR FLT .515ID.750OD.031T FBR	8
31 052213	WHEEL--RS 48058 W/3 HOLES, 5"	2
32 005383	PIN, COTTER-- .094X1.000 LONG	4
33 050765	AXLE-H.S. FL MACH KF205H	1
34 052204	CAP, HUB--PLASTIC, 3.68OD, 3.25BC	4
35 052218	WHEEL--RS 50776 W/3 HOLES, 6IN	2
36 050764	AXLE H.S. FLOOR MACHINE	1
37 046653	INSUL PAPER	1
38 046648	SPRING, COMP .344D .687L .032WD	2
39 046643	TRIGGER	1
40 026412	SWITCH-PUSH--SPDT, 21A, 120-240V	1
41 001312	SCR TPG C RD HD 6-32X1.00L	2
42 026672	CONN, PLUG--3-WR, 15A, 125V, TWIST	1
43 005347	WSHR FLT .188ID.438OD.065T BRS	1
44 001255	SCR MACH RD HD 8-32X.375L	1
45 005316	SCR TPG F PAN HD 10-24X.375L	3
46 046642	CLAMP, LOOP-- .875DIA, VINYL COAT	1
47 025528	CABLE, ELEC--14-3, ST, GRAY, 15IN	1
48 026400	NUT, WIRE--IDEAL 74B	1
49 005515	SCR MACH FIL HD .312-18X1.75L	2
50 048572	CORD HOOK-CAP R/S 97346	1
51 048571	CORD HOOK R/S 97345	1
52 003349	NUT, HEX-- .312-18, ZN PLT	2

DET PART NO.	DESCRIPTION	QUANT
53 004217	WSHR FLT .344ID.625OD.071T STL	2
54 003246	SCR CAP HEX HD .312-18X1.00L	2
55 047075	SPACER, STL-- .506X.750, 1.000L, Z	2
56 005387	SCR SET CUP PT .312-18X.500L	1
57 051898	PULLEY, GRVD--10 GRV, 1.400 PD	1
58 040673	KEY, SQUARE-- .187 SQ, 1.000 LONG	1
59 054899	BELT, V--10V'S, 30.0" PITCH L	1
60 004475	WSHR FLT .500ID1.87OD.105T STL	2
61 025526	CORD, POWER--14-3, ST, GRAY, EXTSN	1
61 025527	CORD, POWER--14-3, ST, GRAY, 75'	1
62 026675	CONN, PLUG--3-WR, 15A, 125V, HOSPI	1
63 026676	CONN, RCPT--3-WR, 15A, 125V, TWIST	1
64 001368	SCR MACH PAN HD 10-32X1.00L	3
65 004253	WSHR LK .204ID.410OD.025T EXT	3
66 050060	LABEL, IDENT--INDL FL, 6.50 CIR	1
67 050013	DRIP COVER-MOTOR	1
68 050781	COVER-MOTOR CAPACITORS	1
69 051022	SPACER, PHEN-- .250X.500, .781L	3
70 050903	COVER-MOTOR	1
71 024377	MTR, DC--115/60, 1.5HP, 3200RPM	1
71 024382	MTR, DC--230/50, 1.5HP, 3200RPM	1
71 039280	BRUSHBOARD& RING ASM--23407MTR	1
71 039281	BRUSH MECHANISM--FOR IMP, 1-1/2	4
71 039282	SPRING--BRUSH MECHANISM	4
71 039283	BRIDGE RECTIFIER--115 VAC	1
71 039284	CAPACITOR (VARISTOR)--115VAC	1
72 003349	NUT, HEX-- .312-18, ZN PLT	4
73 004212	WSHR LK .326ID.586OD.078TSPLT	4
74 053493	LABEL, IDENT--1500 RPM, 4.75 CIR	1
75 050761	FRAME - H S	1
76 050941	BRACKET-BELT ADJUSTMENT	4
77 003249	SCR CAP HEX HD .312-18X1.25L	2
78 004473	RING, RTNG--EXT. 1.37 SHAFT, 5100	1
79 027219	BRG, BALL--1.37ID, 3.149OD, .827W	2
80 053492	PULLEY, GRVD--10 GRV, 3.178PD	1
81 004474	WSHR SPR TNSN 2.67ID2.98OD.030	1
82 050762	HOUSING-H.S.	1
83 002278	WSHR LK .262ID.489OD.062TSPLT	4
84 002260	SCR CAP SOC HD .250-20X1.00L	4
85 004477	PIN, DOWEL-- .250X1.500 LONG	2
86 050775	KEY, WOODRUFF--#608, 1.00D, .187W	1
87 033769	WDMT, PLATE/SHAFT--DRIVE	1
88 054900	COVER, BRUSH--21 ALUM, MACHINED	1
89 054915	BUMPER, BLUE--21 IN.	1
90 020349	HOLDER, PAD--19.00", PLASTIC	1
90 020351	ASM, PAD HOLDER--19.0" PLSTCFLEX	1
91 052736	BAR, STL-- .179X1.25X 6.12L	1
92 002382	SCR TPG F PAN HD 10-B X.500L	2
93 052373	CLAMPING PLATE--H.S. PAD HOLDER	1
94 033816	WDMT, PAD RETAINER--KB-2000B	1
95 001493	SCR CAP FLAT HD-- .375-16X1.00L	3
97 E45503	SPRING, EXT .257D 1.25L .035WD	1
98 054914	SCREEN, EXP'D ALUM--CVR, MTR	1



**KENT**

**KF-1501D  
HIGH SPEED MACHINE  
DC MOTOR**

# KF-1501D

DET	PART NO.	DESCRIPTION	QUANT
1	050785	LABEL, INSTR--TILT TO START	1
2	050784	LABEL, IDENT--KENT HIGH SPEED	1
3	033665	ASM, COVER--SWITCHBOX, CHROME	1
4	001331	SCR TPG C PAN HD 10-24X.750L	2
5	004253	WSHR LK .204ID, 4.100D, .025T EXT	2
6	046652	HANDLE-GRIPS BLUE	2
7	050588	SAFETY SWITCH	1
8	005467	PIN, ROLL--.125 DIA, 1.750L	2
9	048785	SPRING, EXT .250D 2.00L .026WD	1
10	046647	CLAMP, LOOP--.500 DIA., STL	1
11	050252	TUBING, INSIL--2.38 OD, 3.00 LG	1
12	026699	CIRCUIT BREAKER 20 AMP	1
12	026751	CIRCUIT BREAKER--10AMP	1
13	034131	WDMT, HANDLE--KF2000E/C20A	1
14	005279	NUT, HEX LOCK--.375-16, NYLOC	1
15	046606	SPACER, RBR--.325X.656, 2.000L	1
16	046595	CLAMP HANDLE LOCK	1
17	046607	WSHR SLTD .227X.656, 1.00OD.073	1
18	046597	CLAMP STUD	1
19	004314	RIVET, SOLID--RD HD, .312X1.250L	1
20	046632	NUT, PUSH--.312, WASHER CAP, ZN P	1
21	046596	CAM-HANDLE LOCK	1
22	050767	CONNECTING LEG-LEFT	1
23	050766	CONNECTING LEG-RIGHT	1
24	046651	GROM--.625 ID, .875 MHD, .062 PA	1
25	003368	NUT, HEX LOCK--.375-16, ZN PLT	2
26	003265	SCR CAP HEX HD .375-16X1.50L	2
27	005558	SCR CAP HEX HD .250-20X5.50L	2
28	004254	WSHR LK .267ID, 5.100D, .028T EXT	2
29	005449	WSHR SPR TNSN .531ID, 8.80OD, .030	2
30	004230	WSHR FLT .515ID, 7.500D, .031T FBR	8
31	052213	WHEEL--RS 48058 W/3 HOLES, 5"	2
32	005383	PIN, COTTER--.094X1.000 LONG	4
33	050765	AXLE--H.S. FL MACH KF205H	1
34	052204	CAP, HUB--PLASTIC, 3.68OD, 3.25BC	4
35	052218	WHEEL--RS 50776 W/3 HOLES, 6IN	2
36	052388	AXLE--H.S.F.M., .50DIA X 17.50L	1
37	046653	INSUL PAPER	1
38	046648	SPRING, COMP .344D .687L .032WD	2
39	046643	TRIGGER	1
40	026412	SWITCH-PUSH--SPDT, 21A, 120-240V	1
41	001312	SCR TPG C RD HD 6-32X1.00L	2
42	026672	CONN, PLUG--3-WR, 15A, 125V, TWIST	1
43	005347	WSHR FLT .188ID, 4.38OD, .065T BRS	1
44	001255	SCR MACH RD HD 8-32X.375L	1
45	005316	SCR TPG F PAN HD 10-24X.375L	3
46	046642	CLAMP, LOOP--.875DIA, VINYL COAT	1
47	025528	CABLE, ELEC--14-3, ST, GRAY, 15IN	1
48	026400	NUT, WIRE--IDEAL 74B	1
49	005515	SCR MACH FIL HD .312-18X1.75L	2
50	048572	CORD HOOK-CAP R/S 97346	1
51	048571	CORD HOOK R/S 97345	1
52	003349	NUT, HEX--.312-18, ZN PLT	2
53	004217	WSHR FLT .344ID, 6.25OD, .071T STL	2
54	003246	SCR CAP HEX HD .312-18X1.00L	2
55	052387	SPACER, STL--.750ODX, 5.06IDX2.00	2
56	005387	SCR SET CUP PT .312-18X.500L	1
57	051898	PULLEY, GRVD--10 GRV, 1.400 PD	1

DET	PART NO.	DESCRIPTION	QUANT
58	040673	KEY, SQUARE--.187 SQ, 1.000 LONG	1
59	054899	BELT, V--10V'S, 30.0" PITCH L	1
60	004475	WSHR FLT .500ID, 1.87OD, 1.05T STL	2
61	025526	CORD, POWER--14-3, ST, GRAY, EXTSN	1
61	025527	CORD, POWER--14-3, ST, GRAY, 75'	1
62	026675	CONN, PLUG--3-WR, 15A, 125V, HOSPI	1
63	026676	CONN, RCPT--3-WR, 15A, 125V, TWIST	1
64	001368	SCR MACH PAN HD 10-32X1.00L	3
65	004253	WSHR LK .204ID, 4.100D, .025T EXT	3
66	050060	LABEL, IDENT--INDL FL, 6.50 CIR	1
67	050013	DRIP COVER-MOTOR	1
68	050781	COVER-MOTOR CAPACITORS	1
69	051022	SPACER, PHEN--.250X.500, .781L	3
70	050903	COVER-MOTOR	1
71	024377	MTR, DC--115/60, 1.5HP, 3200RPM	1
71	024382	MTR, DC--230/50, 1.5HP, 3200RPM	1
71	039280	BRUSHBOARD & RING ASM--23407MTR	1
71	039281	BRUSH MECHANISM--FOR IMP, 1-1/2	4
71	039282	SPRING--BRUSH MECHANISM	4
71	039283	BRIDGE RECTIFIER--115 VAC	1
71	039284	CAPACITOR (VARISTOR)--115VAC	1
72	003349	NUT, HEX--.312-18, ZN PLT	4
73	004212	WSHR LK .326ID, 5.86OD, .078TSPLT	4
74	053493	LABEL, IDENT--1500 RPM, 4.75 CIR	1
76	050941	BRACKET-BELT ADJUSTMENT	4
77	003249	SCR CAP HEX HD .312-18X1.25L	2
78	004473	RING, RTNG--EXT, 1.37 SHAFT, 5100	1
79	027219	BRG, BALL--1.37ID, 3.149OD, .827W	2
80	053492	PULLEY, GRVD--10 GRV, 3.178PD	1
81	004474	WSHR SPR TNSN 2.67ID, 2.98OD, .030	1
82	050762	HOUSING-H.S.	1
83	002278	WSHR LK .262ID, 4.89OD, .062TSPLT	4
84	002260	SCR CAP SOC HD .250-20X1.00L	4
85	004477	PIN, DOWEL--.250X1.500 LONG	2
86	050775	KEY, WOODRUFF--#608, 1.00D., 1.87W	1
87	033241	WDMT, CLUTCH & SHAFT	1
88	054897	COVER, BRUSH--21 ALUM, MACH, W/HL	1
89	054915	BUMPER, BLUE--21 IN.	1
90	020349	HOLDER, PAD--19.00", PLASTIC	1
90	020351	ASM, PAD HOLDER--19.0" PLSTCFLEX	1
91	052736	BAR, STL--.179X1.25X 6.12L	1
92	002382	SCR TPG F PAN HD 10-B X.500L	2
93	052373	CLAMPING PLATE--H.S. PAD HOLDER	1
94	033816	WDMT, PAD RETAINER--KB-2000B	1
95	001493	SCR CAP FLAT HD--.375-16X1.00L	3
96	052224	SPACER, STL--.315X.500, .125L, Z	2
97	054219	PAD, FOAM--4.0X4.5X.05	2
98	054218	BRACKET, FILTER--4.0X4.5X6.0 SS	1
99	054240	FILTER--4.25DIA X 5.25L	1
100	054220	HOSE--1.5DIA, 26.0L, BLUE	1
101	001327	SCR MACH PAN HD 10-24X.750L	1
102	046688	CLAMP, HOSE--1.75 MAX DIA, WORM	2
103	001295	SCR MACH RD HD 10-24X.625L	2
104	054222	NOZZLE--1.5DIA, 6.0L, ABS	1
105	034595	WDMT, AIR GUARD, 20.7DIA X 3.12STL	1
106	054893	EXTRUSION, VINYL--AIR GUARD	1
107	E45503	SPRING, EXT .257D 1.25L .035WD	1
108	054914	SCREEN, EXP'D ALUM--CVR, MTR	1

# THE KENT LIMITED WARRANTY

Your Kent equipment which has been manufactured, tested, and inspected in accordance with carefully specified engineering requirements, is warranted to be free from defects in material and workmanship. This warranty is, however, subject to the following qualifications, conditions, and limitations which are set forth to provide you and all users of the equipment with information concerning the duration, extent, availability, and applicability of the Kent limited warranty, the procedure to be taken to obtain it's performance, and other information concerning the Kent warranty policy.

## **The Kent Limited Warranty is extended to the original end user as follows**

All Kent cord electric machines with the exception of upright and two motor upright vacuums have a three year warranty on parts, and one year labor coverage. Upright and two motor upright vacuums have a one year parts and labor warranty. Motor and gear unit assemblies on 175 RPM Floor Machines carry a warranty of five years.

Poly components carry a ten year replacement warranty with one year service labor. This warranty will not cover damage attributable to the following:

- : Improper, unreasonable or negligent use or abuse of the equipment.
- : Use of the equipment with hot water ( over 130 deg. F , 54 deg. C ).
- : "Warpage", "Creepage", or "Distortion" of the part so long as the same does not interfere with normal operation.
- : Abrasions or punctures of the equipment.

The start date of the warranty coverage shall be the date the machine was shipped from the factory, or with proof of purchase, the purchase date of the original end user. The start date of the warranty shall not exceed one year from the ship date from the factory.

## **Parts of Kent Equipment not covered by the Kent Limited Warranty**

Certain parts of Kent Equipment require replacement in the ordinary course of use due to normal wear by reason of their characteristics. These are normal wear items such as cords, squeegee blades, belts, gaskets, bumpers, carbon brushes, filters, hoses, bags, padholders, brushes, etc.

## **Exceptions and Exclusions from Warranty**

This equipment is required to be used on electric current as indicated on the dataplate. Otherwise damage, defects, malfunctions or other failures of the equipment arising from the use on electric current not as indicated are excepted and excluded from this warranty. Defects, malfunctions, failure, or damage of the equipment caused by improper care, unreasonable or negligent use or abuse of the equipment are likewise excluded from this warranty. If repair is done to the equipment by anyone other than those designated as authorized to perform such work without having obtained factory authorization in writing, the Kent Company at it's sole option, may determine that this warranty will not apply and that reimbursement for such repair will not be made because of the failure to comply with such factory instructions.

## **Procedure to be taken to obtain performance of warranty repair**

To secure repair of the equipment or any warranted parts under this warranty, the following procedure must be taken. The inoperative equipment or warranted parts together with satisfactory evidence of the purchase date, must be delivered, with shipping and delivery charges prepaid, to one of the following:

- : The dealer from whom purchased.
- : Any Kent distributor's service department in the United States.
- : Any Kent authorized service station in the united states.

If you are unable to locate any of the foregoing, you may write or otherwise communicate with The Kent Company for instructions before repair service is performed by anyone else. In such event, The Kent Company will provide either the location of a Kent authorised service department or other factory instructions. In the event that no local service department is available, Kent at it's discretion will repair or replace the part or equipment at the factory, the products will be returned to the owner freight prepaid. No warranty will be honored without proof of purchase, the model number, and serial number if applicable.

## **Replacement**

In the event of a defect, malfunction, or failure of your Kent equipment or any warranted part to conform with this warranty, The Kent Company may, at it's sole option and own expense, replace the equipment or any warranted part with another new identical or reasonably equivalent model or part in lieu of repairing the defect.

## **No refund of purchase price**

The Kent Company will not, as a matter of it's warranty policy, refund the customer's purchase price.

## **Warranty registration**

Your Kent Company distributor from whom you purchased your equipment is responsible for the registration of your warranty with the factory. We ask that you cooperate with your distributor in supplying the necessary information on the warranty card so that we may better serve you. Any information or questions that you may have concerning your Kent equipment or this warranty may likewise be secured from the factory. This warranty gives you specific legal rights, and you may also have other rights which vary from state to state.