

OPERATOR'S MANUAL

FOR KF-21P
HOLIDA - 11 hp

PROPANE BURNISHER

THE

SelectGloss 21P



KENT

Safe Operating Practices

for
The Kent Company Propane Powered
Burnishers



Give serious consideration to items marked by this symbol, failure to do so may cause injury to yourself or others and/or cause damage to the machine.

- Only allow qualified and trained personnel to operate equipment.
- Closely follow maintenance and operating instructions.
- Keep accurate records of maintenance and service in provided log book.
- Remember, routine maintenance NOW will prevent a breakdown LATER.
- Always check oil level before starting.
- Keep nuts and bolts tightened and hose connections snug.
- Refer to engine manufacturer's service manual or contact The Kent Company for engine repairs or adjustments not listed in this manual.
- Never alter or reconstruct the fuel system. To do so may be dangerous and will void the factory warranty.
- Always use U.L., C.T.C./D.O.T. listed cylinders supplied by The Kent Company.
- Be careful not to cross thread the Rego gas line coupling at the fuel cylinder.
- Always store cylinder outside away from heat and direct sunlight.
- Never leave the machine running unattended.
- **Always operate in a well ventilated area.** Failure to do so may cause nausea or carbon monoxide poisoning.)
- **Warning:** Keep hands and feet clear of rotating pad! Inspect pad holders regularly. (A fractured pad holder may result in pad fragments causing injury.)



Have the machine serviced by a certified technician, including an emission check every three (3) months.



Failure to follow the instructions and warnings appearing in this operating manual or on machine labels may result in serious injury to the person using the machine and possibly to other persons and property.

NOTE: This machine is manufactured for commercial use only.

SAFE OPERATING PRACTICES (Continued)

Propane Powered Floor Burnishers are designed and manufactured for high speed commercial floor buffing only. These machines are designed to buff most modern types of floors including composition tile, stone, marble, terrazzo, and resilient floor covering using floor coatings designed for high speed buffing.

Even though NFPA 58 8-4.5 says... " these machines shall be permitted to be used in buildings frequented by the public, including the times when such buildings are occupied by the public." The Kent Company suggests use when occupancy of a given work area is at a minimum.

These machines should not:

- Be used in nursing homes, hospitals, day care centers etc.
- Be used by unqualified or untrained personnel.
- Be used unless properly maintained and adjusted.
- Be left running unattended.
- Be used on areas with obstructions such as thresholds, floor outlet boxes, etc.
- Be used in rooms without proper ventilation.

These Propane Powered Floor Machines are designed with the burnishing head offset to the right side to make it easier to burnish the floor close to the edge. It is recommended to start burnishing on the right side of the aisle, turn and come back down the aisle in the opposite direction overlapping the previous path slightly. Continue this pattern until the floor area to be burnished has been covered with the last pass being on the right side of the machine. The forward speed is generally at a normal walking speed.

Caution: Do not allow the burnisher to operate without moving. It may burn the floor and could cause damage to the floor covering.

SPECIFICATIONS

KF-21P

Pad Size	21" (53.3cm)
Pad Speed	2000 RPM
Width	22.75" (57.8 cm)
Length	51.5" (130.8 cm)
Engine	Honda 11 hp
Starting	110 Volt
Weight	201 lbs. (91.2 kg.)
Deck	Cast Alum. Alloy
Vibration	Less than 2.5m/s ²
Sound Level	88 db

UNAN = 39 db

TABLE OF CONTENTS

I.	Propane Machine Safety	
	A. Purpose	1
	B. Refueling and Storage of Fuel Cylinders	1
	C. Safety in Engineering	1
	D. Use and Care	1
II.	Machine Preparation	
	A. Adding Oil	1
	B. Filling the Fuel Cylinder	2
	C. Installing the Fuel Cylinder	2
III.	Operating Instructions	
	A. Starting Instructions	2
	B. Operation	3
	C. Idling and Stopping the Machine	3
	D. Installing and Changing the Buffer Pad	3
	E. Storage	3
	F. Transportation	3
IV.	Scheduled Maintenance	4
V.	General Maintenance Procedures	
	A. Fuel System	
	1. Adjusting the Regulator	5
	2. Engine Dust Filter	5
	3. Carburetor Air Filter	5
	4. Fuel Hose and Connections	5
	B. Engine Maintenance	
	1. Cooling Fins	5
	2. Head Bolts	5
	3. Changing Oil	6
	C. Belt Maintenance	6
	D. Adjusting the Handle	7
VI.	Troubleshooting	7
VII.	Drawing and Parts List	
	A. Honda Engine, Deck, and Handle Drawing and Parts List	8,9
VIII.	Kent Limited Warranty	10

I. Propane Machine Safety

A. Purpose

The accepted demand for and use of propane powered floor machines underscores the need for responsible manufacturers and users to stress the importance of safety. This manual is designed to provide the information you need to ensure proper and safe use of propane powered floor machines.



In addition, we recommend operators of propane powered floor machines to complete a program of training and certification on the safe operation of this equipment.

B. Refueling and Storage of Fuel Cylinders

Propane cylinders should only be filled by an authorized propane dealer. When not in use, they should always be stored outside in an upright position in a secure, tamper-proof, steel mesh storage cabinet. This cabinet may be located next to the building but with at least five feet of space between the cabinet and the nearest building opening (door or window).

The National Fire Protection Association (NFPA) Standard for Storage and Handling of LP Gas is the appropriate U.S.A. authority on safe propane use. A copy of this publication is available through the National Fire Protection Association in Quincy, Massachusetts (1-800-334-3555).

C. Safety in Engineering

The Kent Company engineers and manufactures machines utilizing U.L. (Underwriters Laboratories) approved components where possible. The U.L. logo will be affixed to a particular component. This means the component is listed. Component recognition for the following parts is important: fuel cylinders, couplings, regulators, and fuel lines. We strongly recommend that you use only machines meeting the above minimum requirements. Even though propane powered machines manufactured by The Kent Company meet the O.S.H.A. Time Weighted Average (TWA) standard for noise, we still recommend hearing protection be worn by the operator.

D. Use and Care

All machines manufactured by The Kent Company contain a detailed Operator's Manual. Safety dictates that before using any new equipment, read and understand the Operators Manual. We strongly recommend this practice.



II. Machine Preparation

A. Adding Oil

The Burnisher is shipped by overland freight with the correct amount of oil in the engine. Air freight shipments require the machine to be shipped without oil.

When Filling a "Dry" Burnisher or Changing The Oil:

Honda Engine: Add no more than 1 quart, then check the dipstick in the fill cap. Add oil if necessary but **DO NOT OVERFILL!** Always check oil before using the machine.

NOTE: Honda engines use 10W-40 SE or SF oil.

IMPORTANT: When checking oil, be sure that the machine is level. Fill cap should be fully screwed out and free. Do not check oil by screwing cap in and then out again. This will give a false reading.

II. Machine Preparation (continued)

B. Filling the Propane Fuel Cylinder

The Kent Company uses the 20 lb. capacity aluminum fuel cylinder which meets the D.O.T. 4E240 standards. These cylinders are also listed by U.L.I.. Filling should ONLY be done by a qualified propane dealer. A properly filled cylinder should not exceed 80% of the rated capacity.



WARNING

DO NOT attempt cylinder repair. Return the cylinder to your propane dealer if repair is necessary. Please note that D.O.T. regulations prohibit shipping of cylinders after the cylinder has been filled with propane.

C. Installing the Fuel Cylinder

Strap the cylinder in place by clamping the toggle assembly to the cylinder band. Adjust the toggle assembly by screwing in or out in order to keep the tank firmly secured. Connect the fuel hose coupling to the service valve by turning right (clockwise). **HAND TIGHTEN ONLY.** Make sure coupling is not cross threaded and check for leakage by noting any odors of propane immediately after cylinder is connected. (It is sometimes easier to install if the connection to the service valve is made before strapping the cylinder in place.

To remove cylinder, reverse above procedure. Always connect or change cylinders in a well ventilated area.

III. Operating Instruction

A. Starting Instructions



WARNING

1. Check oil and fuel levels.
2. Check and clean engine air filter.
NEVER RUN CONTINUOUSLY FOR MORE THAN 1 HOUR WITHOUT CLEANING OR CHANGING ENGINE DUST FILTER. (See Scheduled Maintenance)
3. **Check carburetor air filter. Change if necessary. (See Scheduled Maintenance).**
4. Turn propane service valve on the fuel cylinder counter-clockwise to open.
5. Allow machine to tilt backward (pad off floor) and move the throttle to the **SLOW** position.
6. Plug electric cord into 110 volt wall receptacle and onto starter switch.
7. Engage starter by pushing the button on starter switch.

Note: Do not engage starter for more than 10 seconds. Allow a 60 second cool down period for each 10 second start-up cycle. If the starter overheats an internal overload switch will prevent it from operating until cooled. Wait 15 or 20 minutes before trying again.

8. After engine starts, adjust the throttle to the proper speed.

B. Operation

1. After engine has started, allow approximately 30 seconds for the engine to "warm up" then advance the throttle to operating speed.
2. Lower the burnishing head to the floor while moving the machine forward.
CAUTION!! Do not run the machine without moving. If allowed to run in one spot damage to the floor may occur.
3. To stop burnishing, push down on handle raising the burnishing head off the floor.

III. Operating Instructions (continued)

C. Idling and Stopping the Machine

If for any reason the machine needs to idle for short periods of time, simply raise the burnishing head and move the throttle to the SLOW position.



Allowing the engine to idle excessively will increase the concentration of carbon monoxide!

To stop the engine, close the service valve on the fuel cylinder by turning it clockwise. (The engine will stop when the fuel in the lines has been depleted).

NOTE: FOR EMERGENCY STOP: Pull throttle lever all the way back, this will activate the "KILL" switch.

D. Installing/Changing Burnishing Pad

1. With engine OFF, turn the machine over on the RIGHT side (the starter side). This can easily be accomplished by pushing down on the right handle grip with some force while the machine is tilted back.
2. Carefully pull old pad off the velcro pad holding material.
3. **Carefully inspect the padholder for cracks or damage. Replace if necessary.**
NOTE: A damaged padholder rotating at high speeds may be an extreme hazard if it should come apart.
4. Pull center from new pad, center pad on padholder and tuck the center under the plastic center ring.
5. Press pad onto velcro.
6. Return machine to upright position.



E. Storage

Only authorized, trained personnel should have access to propane cylinders and machines.

1. Remove propane fuel cylinder when not in use and store it outside in a storage cage in accordance with NFPA Chapter 5-4.2.1. Do not release or bleed propane inside of building.
Please consult your local Fire Marshall to insure that you are in compliance with local fire codes.
2. Store machine away from objects that may fall and damage it.
3. Never store machine or fuel cylinders near an open flame or heat producing devices.
4. Make sure machine is cleaned properly before storing.
5. Never store machines with cylinders installed, or spare cylinders, in an enclosed van or trailer.



F. Transportation

When transporting a propane powered floor machine with the fuel cylinder installed, the cylinder should be securely fastened with the service valve closed and the machine should be secured in the vehicle. Any propane fuel cylinders not installed on a machine should be securely fastened to avoid movement and damage. The service valves should be closed. Never store machines with cylinders installed, or spare cylinders, in an enclosed van or trailer.

It is good practice to check propane cylinders for overfilling before transporting them. If overfilled, correct before loading them in the vehicle by venting the excess propane outside in a safe area using the fixed liquid level gauge.

IV. SCHEDULED MAINTENANCE

Following proper scheduled maintenance procedures will provide years of uninterrupted service.

ITEM or TYPE of SERVICE		REGULAR SERVICE PERIOD (Performed At Indicated Hour Intervals)				
		Each Use	20 hrs.	50 hrs.	100 hrs.	300 hrs.
Engine Oil	Check Level	2				
	Change		2,4,5	2,4,5		
Oil Filter	Change				2,4,5	
Engine Dust Filter	Inspect	1				
	Clean/Change	1,2				
Carburetor Air Cleaner	Inspect	2				
	Clean/Change			2,4,5		
Belt	Inspect	2				
	Adjust/Replace		As Required (5 below)			
Fuel Hose & Connections	Inspect	2				
	Replace		If Signs of Wear are Present (3,5)			
Cooling Fins	Clean			2		
Burnishing Head Assembly	Inspect			6		
Padholder	Inspect		When Changing Pads			
	Replace		If Cracks Appear (7)			
Bolts & Connections	Inspect			6		
	Tighten			6		
Spark Plug	Clean/Replace			5,6	4,5	
Valve Clearance	Check					3,4,5
Exhaust Emissions	Check					3,5



WARNING

1. Perform after each hour of operation.
2. Refer to Section V "General Maintenance Procedures".
3. **These items should be serviced by an authorized Kent Company Service Center.**
4. Refer to Engine Manufacturer's "Owners Manual" for recommended replacement.
5. Always enter maintenance performed in "Service Log Book"
6. Routine maintenance.
7. Refer to Section III "Operating Instructions" (D.3)

V. General Maintenance Procedures

A. Fuel System

The fuel system works from vacuum created by the engine running. Turning the safety fill cylinder valve on pressurizes the system for flow to the carburetor once the engine starts to crank.

1. Adjusting the Regulator:

Note: The regulator and carburetor, on this machine has been factory pre-set. Only Kent Company authorized personnel trained and certified in propane fuel systems, should modify or adjust the system or its settings.

N.F.P.A. 58 8-1.4 states, "In the interest of safety, each person engaged in installing, repairing, filling, or otherwise servicing an LP-Gas engine fuel system shall be properly trained in the necessary procedures."

2. Engine Dust Filter

The engine dust filter should be cleaned each hour and after each use by rinsing with mild detergent.

Squeeze out excess water (do not wring). Allow the filter to air dry.

Failure to maintain a clean engine air filter will cause the engine to overheat. Also, it may cause the exhaust emissions to elevate to harmful levels!

3. Carburetor Air Filter

- a. Loosen wing nut on top of air cleaner cover.
- b. Remove foam pre-cleaner and paper filter element.
- c. Clean foam pre-cleaner using the same procedure as "2" above.
- d. Clean filter seal, making sure no dust is allowed in carburetor inlet.
- e. Inspect paper element. Replace the paper element if dirty, bent or damaged.
- f. Install the clean paper element, pre-cleaner, air cleaner cover and wing nut.

Note: Failure to maintain a clean air filter may produce excessive carbon monoxide emissions. Inspect it before each operation!

4. Fuel Hose and Connections

a. Inspection

- (1) Inspect hose for abrasions and other signs of wear; replace all worn or damaged hoses.
- (2) Check for gas leaks by spreading a soapy water solution around all connections with the service valve OPEN and the fuel system pressurized.

b. Fixing Leaking Joints

- (1) Uncouple bad joint, clean joint then apply pipe sealing compound (Loc-Tite Pipe Sealant with Teflon or equivalent) to clean joint.
- (2) Recouple joint finger tight plus 1/2 turn.
- (3) Recheck for leaks using soap and water solution and watching for bubbles at the joint with fuel cylinder service valve turned OPEN and the fuel system pressurized.

B. Engine Maintenance

1. Cooling Fin Maintenance

- a. Remove the blower housing and other cooling shrouds.
- b. Clean the cooling fins as necessary.
- c. Reinstall the blower housing and other cooling shrouds.

2. Head Bolt Maintenance

Refer to Engine Manufacturer's Service Manual.



WARNING



WARNING



WARNING

B. Engine Maintenance (continued)

3. Changing the Oil

- a. Run engine for 5 minutes to warm oil.
- b. Locate oil drain plug and place a receptacle where the oil will drain into the receptacle.
- c. Open the oil drain plug.
- d. Allow oil to drain completely into receptacle.
- e. Close the oil drain plug and set the machine upright.
- f. Tighten the drain plug and wipe any remaining oil from the engine and deck.
- g. Remove the oil fill cap/dipstick. For Honda engines slowly add 1 quart of 10W-40 SE or SF oil.
- h. Check oil level with dipstick. Add additional oil if necessary.

DO NOT OVERFILL AND NEVER RUN ENGINE LOW ON OIL!

Important: Honda Engines: When checking oil, be sure that the machine is level. Fill cap should be fully screwed out and free. Do not check oil by screwing cap in and then out again. This will give a false reading.

- i. Replace filler cap/dipstick and hand tighten.

Note: Care should be taken when changing the oil. Used motor oil should be treated as a hazardous material.



C. Belt Maintenance

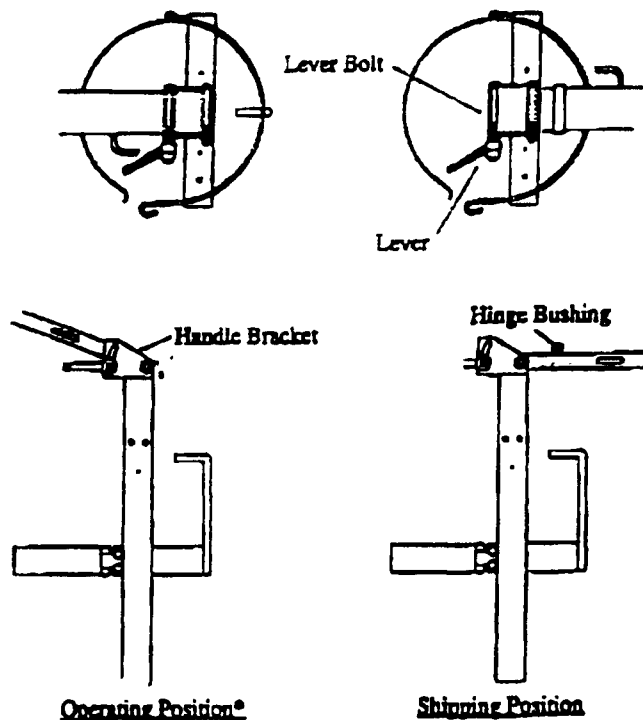
To inspect the belt it is necessary to turn the machine over on the right side (Starter side) for Honda models. This can be easily accomplished by pushing down on the right handle grip with some force while the machine is tilted back. If the belt is badly cracked or worn it should be replaced.

To check for the proper tightness squeeze the belt together. The belt should depress between 1/4" and 1/2".

To Change belt:

1. Turn the machine over on the right side.
2. Remove the padholder by holding the end of the shaft on the top of the machine with a 3/4" wrench and turn the padholder counter-clockwise.
3. Using the 3/4" wrench to turn the end of the spindle shaft on top of the machine while removing the old belt from the spindle pulley.
4. Finish removing the belt from the engine pulley, if necessary.
5. Check engine pulley for correct alignment with the spindle pulley. Check hardware attaching pulleys for correct tightness.
6. Install the new belt onto the engine pulley.
7. Reinstall the new belt onto the spindle pulley using the 3/4" wrench to turn the spindle clockwise. Make sure the belt is correctly placed on the idler pulley.
8. Reinstall the padholder onto the spindle shaft.
9. Turn the machine upright in the burnishing position.
10. Check belt for correct operation. Check all hardware for correct tightness.

D. Adjusting the Handle



* Insert lever bolt through handle bracket and hinge bushing to locate handle in operating position.

VI. TROUBLESHOOTING

SYMPTOM

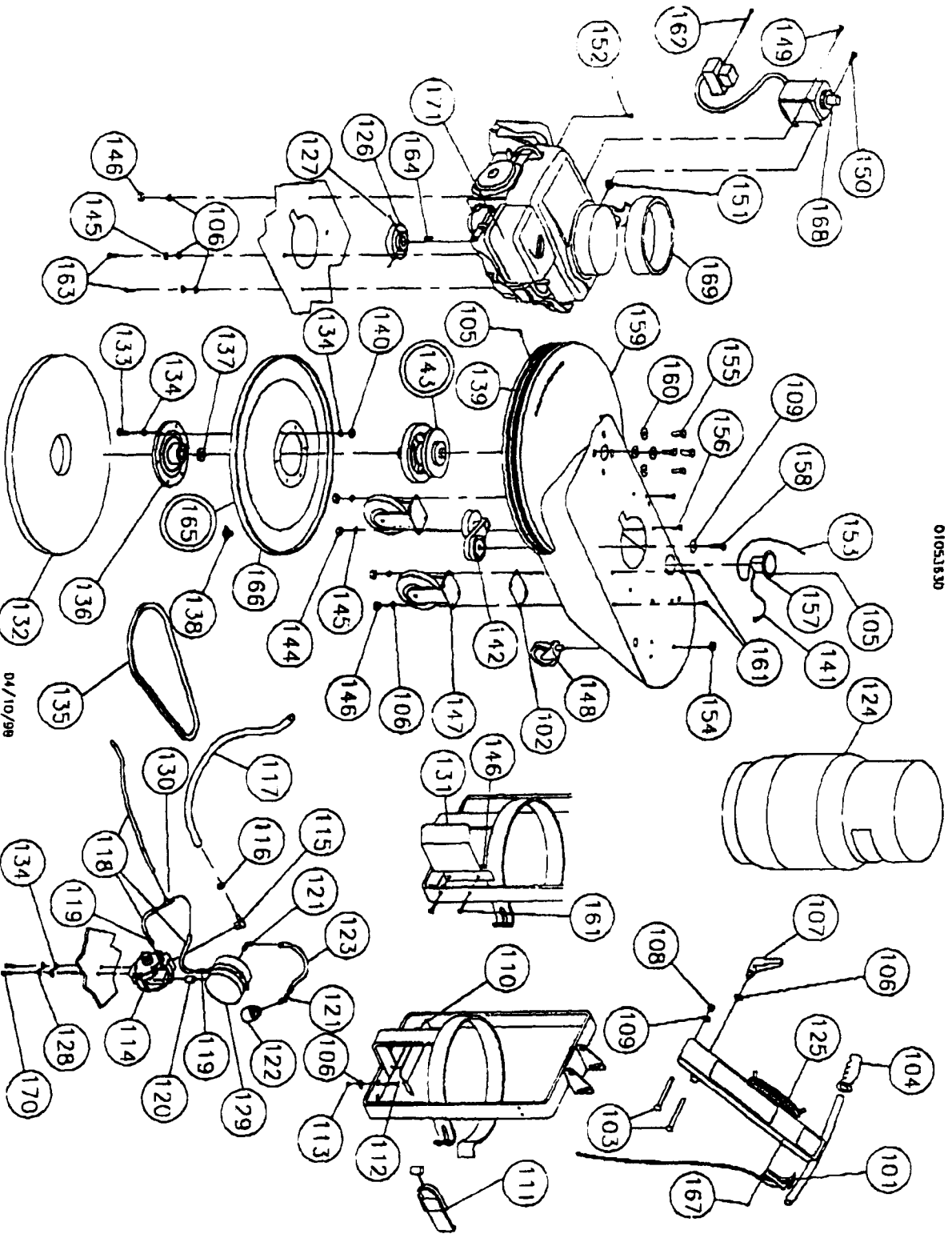
1. Hard to Start
2. Will Not Start
3. Engine lacks power
4. Smell of burned rubber
5. Machine vibrates
6. Machine "Bogs Down" When in Use
7. Machine Pulls To One Side
8. Engine stops running

POSSIBLE CAUSES

- Spark plug or head bolts loose. Blown head gasket. Insufficient vacuum. Coil, air gap needs adjusting. Low oil.
- No fuel, Blown head gasket, Insufficient vacuum. Defective Spark Plug, Defective coil, Dirty air filter, Low oil.
- Leaking head gasket. Insufficient vacuum. Governor needs adjusting. No compression - worn rings. Check air filters.
- Belt out of adjustment or not aligned properly.
- Loose bolts. Pad not centered.
- Operator is bearing down too hard. Dirty air filters.
- Check for bent wheel bracket.
- Dirty air filter, High exhaust emissions, Out of fuel, Low oil.

KF-21P SelectGloss Deck, Engine, & Handle Diagram Honda

01053830



04/10/98

KF-21P SelectGloss Handle, Deck & Engine Parts List

<u>F#</u>	<u>PART#</u>	<u>DESCRIPTION</u>	<u>QTY</u>	<u>REF#</u>	<u>PART#</u>	<u>DESCRIPTION</u>	<u>QTY</u>
101	C MP6800	Control, Throttle	1	137	CNB5700	Washer, .755 x 1.005 x .060, SS1	
102	C MP481001	Block, Wheel	1	138	CMP8310	Velcro Stud	50
103	CNB9460	Bolt, Carriage, 3/8-16 x 4	2	139	CMX1010	Molding, Black	4.8ft.
104	CMP6300	Handle Grips	2	140	CNB3275	Nut, Lock 1/4	10
105	CNB2643	Rivet, Pop, 1/8"	7	141	CMP9613	Wire, Ground, Assembly	1
106	CNB9267	Washer, Flat, 5/16	8	142	CMP4775	Tensioner, Belt	1
107	CMP5950	Handle, Adjustable Lever	1	143	CMP7231	Spindle Assembly	1
108	CNB9470	Nut, Acorn, 3/8-16UNC	1	144	CNB3260	Nut, 5/16-18NC	1
109	CNB3450	Washer, Flat, 3/8	2	145	CNB6111	Washer, Spring Lock 5/6	5
110	CMP6600	Velcro, Loop	3.9ft.	146	CNB3265	Nut, Lock 5/16-18	5
111	CMP6500	Toggle Tank Strap	1	147	CMP9420	Wheel, w/Bracket 5	2
112	CNB5520	Bolt, Carriage 3/8-16 x 1 1/4"	5	148	CMP012801	Wheel, Castor Rear	1
113	CNB3267	Nut, Lock 3/8 NC	5	149	CNB6012	Bolt, 6mm x 20mm	2
114	CMP3600	Regulator, Dry Gas	1	150	CNB3104	Screw, Flange, 8mm x 1.25	2
115	CMP3375	Elbow, Brass, Large	1	151	CNB3105	Nut, Flange, 8mm x 1.25	2
116	CNB7282	Hose Clamp	2	152	CNB3003	Bolt, BH, 5/16-18 x 1-3/4	1
117	CNB2470	Fuel Line 3/8	1.33ft.	153	CMP9612	Wire, Lead, Assembly	1
118	CNB2460	Hose, Vacuum, 3/32	1.58ft.	154	CNB003100	Nut, Jam 1/2-13	1
119	CMP021600	Ballcheck, 1/8NPT	2	155	CNB6863	Bolt, Hex HD 1/2 x 1 NC	4
120	CMP4325	Fitting, 3325 x 4	1	156	CNB5000	Bolt, Carriage 5/16-18 x 1	1
121	CMP4330	Fitting, 49 x 6	2	157	CMP9610	Meter, Hour (RND)	1
122	CMP4500	Coupler	1	158	CNB6044	Screw, Cap 3/8 x 1 1/4	1
123	CMP4340	Regulator Hose, 12	1	159	CMP010508	Deck, Resale, KF-21P	1
124	CMP020900	Cylinder, Non-Safety Fill, Unpol.	1	160	CNB9269	Washer, Flat 7/16	5
125	CMP2300	Cord, Electric Starter	1	161	CNB5282	Bolt, Hex BH 5/16-18 x 1	9
126	CMP7800	Pulley, 3.5"	1	162	CNB5370	Screw, Sheet Metal, 2-1/2"	2
127	CNB2463	Set Screw, 5/16-18	2	163	CNB9500	Screw, Cap, 5/16-24 x 1-1/4	2
128	CNB6110	Washer, Lock, 1/4	2	164	CMP7802	Key, 1/4" x 1-1/2	1
129	CMP4735	Fuelock	1	165	C SA004100	Padholder Asm., 21" w/Studs	1
130	CNB2300	Tee, Nylon	1		CMP019900	Padholder Asm., 21" Laminated	1
131	CMP474501	Guard, Regulator-Fuelock	1	166	C SA003900	Padholder, 21", w/Studs	1
132	CPD006021	Pad, 21, Blue Blend	1		CMP8275	Padholder, 21" Laminated	1
133	CNB9308	Bolt, Button HD 1/4-20UNC x 1	6	167	CNB4381	Drill Kwik	2
134	CNB3350	Washer, Flat 1/4	14	168	CMP2310	Starter (110V)	1
135	CMP8052	Belt, BX-36	1	169	CMP9600	Filter, Air Intake (Honda)	1
136	CTB1012	Flexi-Swivel	1	170	CNB6530	Screw, Cap, HH, 1/4-20 x 1	2
				171	CHC2910727	Element, Air Cleaner	1

THE KENT LIMITED WARRANTY

Your Kent equipment which has been manufactured, tested, and inspected in accordance with carefully specified engineering requirements, is warranted to be free from defects in material and workmanship. This warranty is, however, subject to the following qualifications, conditions, and limitations which are set forth to provide you and all users of the equipment with information concerning the duration, extent, availability, and applicability of the Kent limited warranty, the procedure to be taken to obtain its' performance, and other information concerning the Kent warranty policy.

The Kent Limited Warranty is extended to the original end user as follows

Automatic scrubber vacs (excluding the KA33BR) and all battery operated burnishers carry a three year parts replacement and one year labor warranty. Batteries are warranted on a prorated basis for one year. Battery chargers are warranted by the manufacturer for one year. Gasoline and Propane engines are warranted by the manufacturer for a period of one year.

Replacement parts are covered for the remainder of the machines warranty or 90 days, whichever is longer.

All sweepers, all pressure washers, all propane burnishers, and the KA33BR have a one year parts and labor warranty.

Poly components carry a ten year replacement warranty with one year service labor. This warranty will not cover damage attributable to the following:

:Improper, unreasonable or negligent use or abuse of the equipment.

:Use of the equipment with hot water (over 130° F, or 54° C).

: "Warpage", "Creepage", or "Distortion" of the part so long as the same does not interfere with normal operation.

:Abrasions or punctures of the equipment.

The start date of the warranty coverage shall be the date the machine was shipped from the factory, or with proof of purchase, the purchase date of the original end user. The start date of the warranty shall not exceed one year from the date that the unit leaves the factory.

Parts of Kent Equipment not covered by the Kent Limited Warranty

Certain parts of Kent Equipment require replacement in the ordinary course of use due to normal wear by reason of their characteristics. These are normal wear items such as cords, squeegee blades, belts, gaskets, bumpers, carbon brushes, filters, hoses, bags, etc.

Exceptions and Exclusions from Warranty

Defects, malfunctions, failure, or damage of the equipment caused by improper, unreasonable or negligent use or abuse of the equipment are excluded from this warranty. If repair is done to the equipment by anyone other than those designated as authorized to perform such work without having obtained factory authorization in writing, the Kent Company at its' sole option, may determine that this warranty will not apply and that reimbursement for such repair will not be made because of the failure to comply with such factory instructions.

Procedure to be taken to obtain performance of warranty repair

To secure repair of the equipment or any warranted parts under this warranty, the following procedure must be taken. The inoperative equipment or warranted parts together with satisfactory evidence of the purchase date, must be delivered, with shipping and delivery charges prepaid, to one of the following:

:The dealer from whom purchased

:Any Kent distributor's service department in the United States.

:Any Kent authorized service station in the United States.

If you are unable to locate any of the foregoing, you may write or otherwise communicate with the Kent Company for instructions before repair service is performed by anyone else. In such event, The Kent Company will provide either the location of a closely available Kent service department or other factory instructions. In the event that no closely available service department is available, Kent at its' discretion will repair or replace the part or equipment at the factory, the products will be returned to the owner freight prepaid. No warranty will be honored without proof of purchase, the model number, and serial number if applicable.

Replacement

In the event of a defect, malfunction, or failure of your Kent equipment or any warranted part to conform with warranty, The Kent Company may, at its' sole option and own expense, replace the equipment or any warranted part with another new identical or reasonably equivalent model or part in lieu of repairing the defect.

No Refund of Purchase Price

The Kent Company will not, as a matter of its' warranty policy, refund the customer's purchase price.

Warranty Registration

Your Kent Company distributor from whom you purchased your equipment is responsible for the registration of your warranty with the factory. We ask that you cooperate with your distributor in supplying the necessary information on the warranty card so that we may better serve you. Any information or questions that you may have concerning your Kent equipment or this warranty may likewise be secured from the factory. This warranty gives you specific legal rights, and you may also have other rights which vary from state to state.