

KENT

MODEL

KF-2500B

**SELF PROPELLED
BATTERY BURNISHER
WITH DUST CONTROL**

MODEL

KF-2002B

BATTERY BURNISHER



OPERATING, MAINTENANCE INSTRUCTIONS & ILLUSTRATED PARTS LIST

MARCH 1989

Write the model and serial number of your unit in the space provided. Refer to the rating plate on unit.

Model #

Serial #

Retain this owner's guide for future reference.

THE KENT COMPANY

P.O. Box 1665

2310 Industrial Parkway

Elkhart, IN 46514

TEL: (219)293-8661, (800)334-1083

FAX: (219)295-8610

TELEX: 25-8331 KENT CO EKR

INTRODUCTION

Your High Speed Burnisher has been especially engineered and manufactured to give the maximum in performance in a total polishing of small and large floor areas.

With careful maintenance according to the instructions outlined in the following pages, a high standard of operation throughout its use will be insured.

CAREFULLY INSPECT ALL COMPONENTS TO INSURE THAT THERE IS NO CONCEALED FREIGHT DAMAGE. IF SUCH DAMAGE IS DISCOVERED, FILE A "CONCEALED DAMAGE REPORT" IMMEDIATELY WITH THE DELIVERING CARRIER.

The contents of this manual are based on the latest production information available at the time of publication. The right is reserved to make changes at any time without notice in price, color, materials, equipment, specifications and models.

SERVICE INFORMATION

To obtain consistent performance over the life of your machine, read through these instructions and keep them handy for future reference. If you require service, contact the dealer from whom the machine was purchased, or the local authorized Kent Service Agency. Always refer to your Kent Limited Warranty for complete service information.

THE KENT CO.		
ELKHART, INDIANA USA		
SERIAL NO	MODEL	
VOLTS	PHASE	Hz
MOTOR 1	A.M.P.	H.P.
MOTOR 2	A.M.P.	H.P.

The model, type, and serial number are indicated on the data plate. For prompt and complete service information, always refer to these numbers when inquiring about service.

We have found that following these step-by-step procedures results in longer machine life and fewer major service problems. We urge that these procedures be POSTED and carefully followed.

GENERAL INFORMATION

Unpack your floor machine carefully. This machine is designed to easily tilt rearward, so caution is advised when removing from box and in moving machine over inclines and steps. Avoid bodily injury by handling carefully.

Install batteries by first placing a support at the rear of the machine to prevent tilting of it during this installation. Install batteries as illustrated in diagram bonded to machine lid, be sure to have two people do the installation of each battery because of weight and danger.

IMPORTANT SAFEGUARDS

ACCIDENTS DUE TO MISUSE CAN ONLY BE PREVENTED BY THOSE USING THE MACHINE. TO GUARD AGAINST INJURY, BASIC SAFETY PRECAUTIONS AS SHOWN IN THIS MANUAL SHOULD BE OBSERVED.

BE SAFE-AVOID HAZARDS

Your floor machine is equipped with a lighted master power switch. When the switch is "ON," no motion or sound will be present until the handle switch is pressed. Then, the burnishing wheel will run at full power. The operator must immediately push forward on the handle bar to guide the machine through the work area. **FAILURE TO MOVE THE MACHINE IMMEDIATELY CAN CAUSE OVERHEATING OF A TILED AREA, RESULTING IN A DAMAGED FLOOR.**

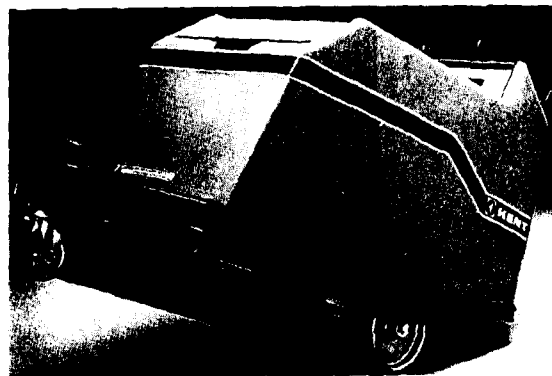


FIG. 1



CAUTION:

Be sure to turn the Master Switch "OFF" before changing pads. A mercury tilt switch is located behind the instrument panel to insure that no one can start the machine while it is tipped back for service. Do not bypass or defeat any interlock. Do not bend the mercury switch bracket. Avoid hazardous conditions, do not use your machine in areas where flammable and/or explosive vapors or dust are present.

Your floor machine must not be used as a toy. Do not allow children or unauthorized personnel to play with unit. Do not leave floor machine "ON" and unattended.

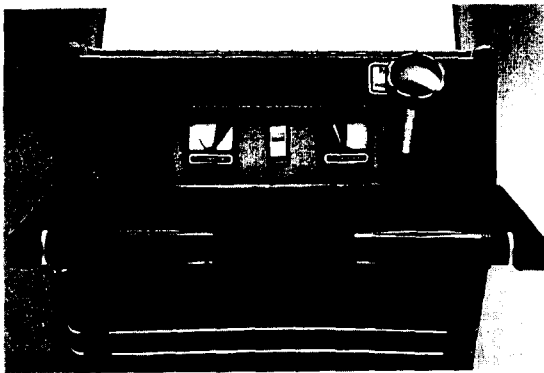


FIG.2

WARNING-This machine is designed for high speed burnishing only. It cannot be used for scrubbing or shampooing.

MACHINE CONTROLS

KF-2002B

A means of controlling pad pressure is located conveniently near the operator's position. The machine must be moving to avoid burning sensitive floors. Turn the height control knob clockwise to decrease pad pressure or counterclockwise to increase pad pressure. A meter is provided on the instrument panel so that pad pressure is constantly monitored. The meter is identified as "LOAD INDICATOR." The colored GREEN zone on the meter face is where the needle should point when the operator has set the height control properly for average conditions while pushing the burnishing machine forward. A lower reading in the YELLOW meter zone indicates light or no burnishing pressure. A

higher reading in the meter RED zone indicates excessive burnishing pressure or loading up of pad. LOW TO HIGH fluctuations of pressure are normal. Averaging the observed fluctuations should place them in the green zone. If this is not the case, an adjustment of the height control knob is required.

For easy transport, turn the height adjust knob fully clockwise. Always stop turning when effort suddenly increases. This is maximum height possible.

The machine is designed to be adjustable for all types of pad thicknesses. Pad selection is important. Be sure the pad is intended for 2,000 rpm high speed use. A pad that is not intended for 2,000 rpm high speed use can disintegrate very quickly and lodge inside the covered housing. Be sure the main switch is turned off before tilting machine.

The pad holder is exposed by pushing the machine's rear end to the floor. Notice the abrupt shift of weight will hold the machine in a stabilized position on rubber shock absorbers against the floor. A T-handle with pointed screw through a molded cup provides an easy means of centering and securing the pad under the holder.

Raise the rear of the machine to normal position. To proceed, push the switch "ON" that is located between the meters on the instrument panel. Grip the handle and switch bar and push the machine forward. The burnishing motor will start to rotate. If the machine pulls to the side and the "LOAD INDICATOR" meter points to full-scale (RED zone), push the main switch OFF immediately. Turn the height control knob on the right side of the instrument panel clockwise and notice that the front of the machine raises very slowly. Satisfactory height adjustment is easily attained by again pushing the machine. As the burnishing motor starts, turn the knob in the direction that places the meter's needle in the GREEN zone. Notice that guiding and pushing the machine becomes easier and floor finish brighter when the "LOAD" is adjusted properly.

MACHINE CONTROLS

KF-2500B

A means of controlling pad pressure is located conveniently near the operator's position. The machine must be moving to avoid burning sensitive floors. Turn the height con-

trol knob clockwise to decrease pad pressure or counterclockwise to increase pad pressure. A meter is provided on the instrument panel so that pad pressure is constantly monitored. The meter is identified as "LOAD INDICATOR." The colored GREEN zone on the meter face is where the needle should point when the operator has set the height control properly for average conditions while pushing the burnishing machine forward. A lower reading in the YELLOW meter zone indicates light or no burnishing pressure. A higher reading in the meter RED zone indicates excessive burnishing pressure or loading up of pad. LOW TO HIGH fluctuations of pressure are normal. Averaging the observed fluctuations should place them in the green zone. If this is not the case, an adjustment of the height control knob is required.

For easy transport, turn the height adjust knob fully clockwise. Always stop turning when effort suddenly increases. This is maximum height possible.

The machine is designed to be adjustable for all types of pad thicknesses. Pad selection is important. Be sure the pad is intended for 2,500 rpm high speed use. A pad that is not intended for 2,500 rpm high speed use can disintegrate very quickly and lodge inside the covered housing. Be sure the main switch is turned off before tilting machine.

The pad holder is exposed by pushing the machine's rear end to the floor. Notice the abrupt shift of weight will hold the machine in a stabilized position on rubber shock absorbers against the floor. A T-handle with pointed screw through a molded cup provides an easy means of centering and securing the pad under the holder.

Raise the rear of the machine to normal position. To proceed, push the switch "ON" that is located between the meters on the left side on the instrument panel. The switch to the right controls the forward speed of the KF-2500B, place this rocker switch in "slow" position initially. Grip the handle and switch bar and push the machine forward. The burnishing motor will start to rotate. If the machine pulls to the side and the "LOAD INDICATOR" meter points to full-scale (RED zone), push the left switch OFF immediately. Turn the height control knob on the right side of the instrument panel clockwise and notice that the front of the machine raises very slowly. Satisfactory height adjustment is easily attained by

again gripping the handle and guiding the machine. As the burnishing motor starts, turn the knob in the direction that places the meter's needle in the GREEN zone.

The right side switch controls the travel speed of the machine and is always "ON." For best results, start out with switch in "SLOW" position. When faster machine travel is desired, depress switch to "FAST," this can be done during machine movement without damaging any component. Frequent slow/fast/slow switch is not recommended.

CIRCUIT BREAKER

If the motor in the machine becomes overloaded, it will turn off automatically. Overloading may occur if the burnishing pad pressure is too great and the height control knob is adjusted too low. When the "LOAD INDICATOR" meter is allowed to operate continuously at full scale (in the RED zone), the circuit breaker will open. The circuit breaker is located near the charging plug at the front of the battery box. After a brief wait, the circuit breaker can be reset to restore operation. Readjust machine height to function within the GREEN scale of the meter.

Avoid frequent starts and toying with handle. The breaker element becomes heated to the point that normal operation is impossible. A long period of cool down is then required.

DUST CONTROL

KF-2500B

Control of dust generated by the burnishing operation is possible by means of air discharged from the covered revolving pad area. Dust laden air passes thru a hose into a cartridge type filter mounted in front of the battery box. This filter traps dirt internally and therefore should be shaken out weekly. This filter is also washable. The black vinyl dust containment guard encircling the pad housing should be adjusted as close to floor as possible for optimum dust collection and reduced motor loading.

CARE, STORAGE, AND BATTERY CHARGING

At the end of a burnishing operation period, the machine should be cleaned up and prepared for the next operational period. The batteries require constant current charging at 36 volts through a charging connector located on the front of the frame. The machine's battery cover should be left open while charging takes place.

TO OPERATE THE KENT BATTERY CHARGER

1. Connect the charger plug to the machine plug firmly.
2. Plug battery charger into a normal electrical outlet and set the timer as desired. NOTE: Set the Kent Battery Charger on a flat, firm surface to insure that cooling air can circulate through the bottom louvers.

The Kent Battery Charger is guaranteed against defective parts and workmanship. Any parts proving defective within six months will be repaired free of charge when the charger is returned prepaid to the manufacturer.

Hydrogen gas is formed when the batteries approach the full charge state. This gas is explosive; therefore, when charging batteries with lid open, avoid any open flame or electric spark near batteries. This includes connecting or disconnecting charger with timer "ON." To avoid accumulation of gas, be sure batteries receive good air circulation while being charged.

BATTERY CARE

Battery care determines the life span and efficiency of the units; therefore, for the longest possible useful life from these batteries, the following procedures should be followed:

1. Keep battery solution (electrolyte) level up in cells. Check daily. If cells need water, use only distilled or approved water. DO NOT OVERFILL!
2. Keep batteries fully charged.
3. Keep batteries and connection clean.

When necessary, clean with baking soda solution and coat terminals with grease after wires have been attached to retard corrosion.

Your floor machine should be stored in a clean dry place. Do not allow the machine to rest on its pad for an extended period of time.

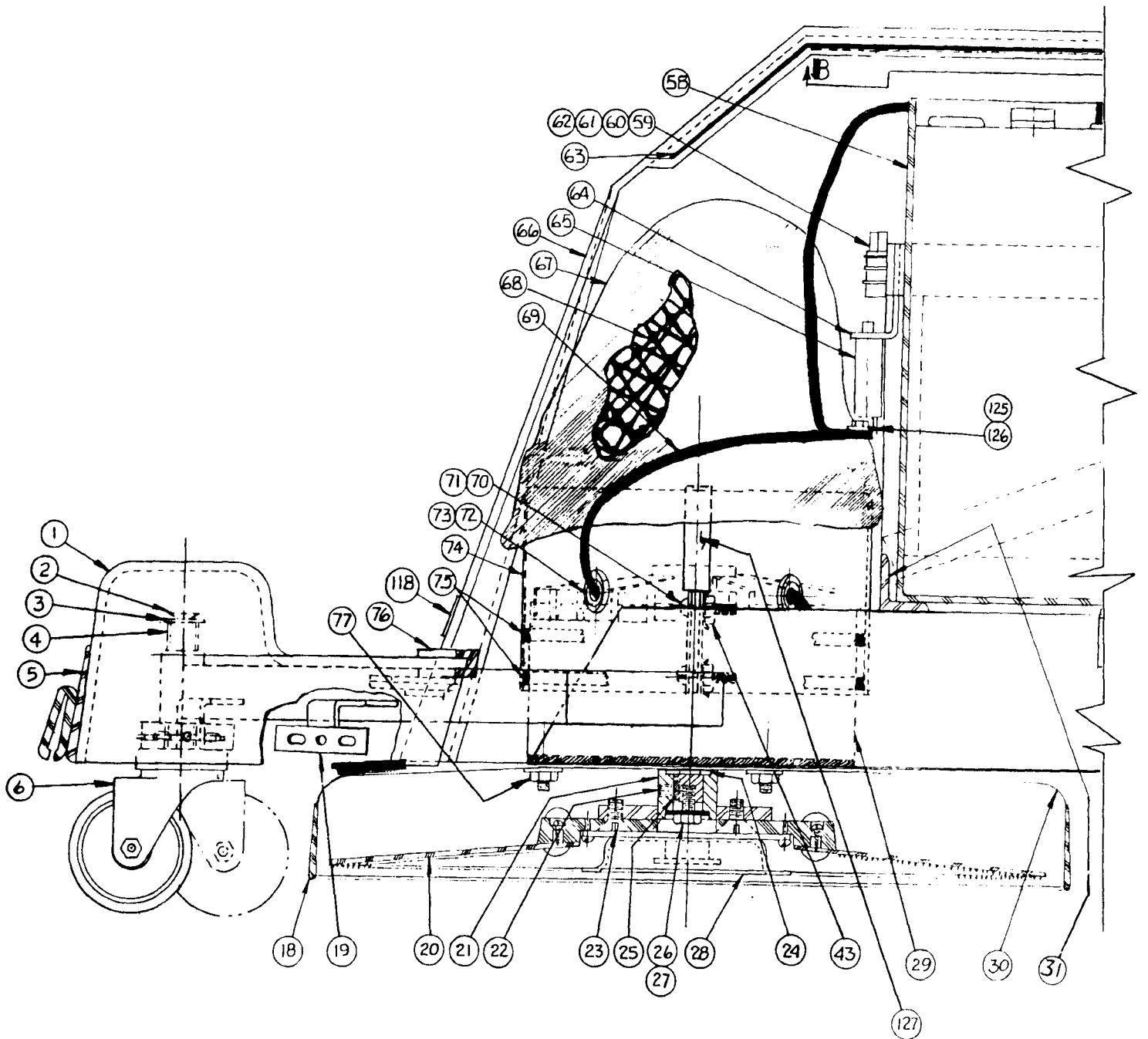
The pad could take a set and cause the machine to vibrate excessively. This will not occur if the height control is left at a high setting.

WEEKLY

CHECK BATTERY ELECTROLYTE LEVEL AND ADD DISTILLED WATER IF LOW. Wipe off tops of batteries to prevent accumulation of water, acid and dirt. Clean the dust bag clamped over the motor by vacuuming it thoroughly. If it becomes loose from its mounting or is torn, it must immediately be repaired or replaced. Service life of the motor will be greatly reduced if the filter is not inspected and cleaned at least every week. More frequent cleaning may be necessary under severe conditions. To inspect the filter remove it by pulling upward.

Remove bag and bag support mesh (KF-2002B) or foam filter (KF-2500B). There should be no collection of dust, sand, or dirt on or in the motor. If there is, the filter has been leaking. Inspect parts and take corrective action. Be careful that no tool or piece of hardware falls into the motor housing. It contains permanent magnets, and retrieval of foreign objects could be difficult. Brush and commutator life is severely shortened if dirt passes around or thru the filter.

The wheels are provided with a single zerk on each. One pump from the grease gun once a month is plenty of lubrication for the wheels. No other lubrication is required.



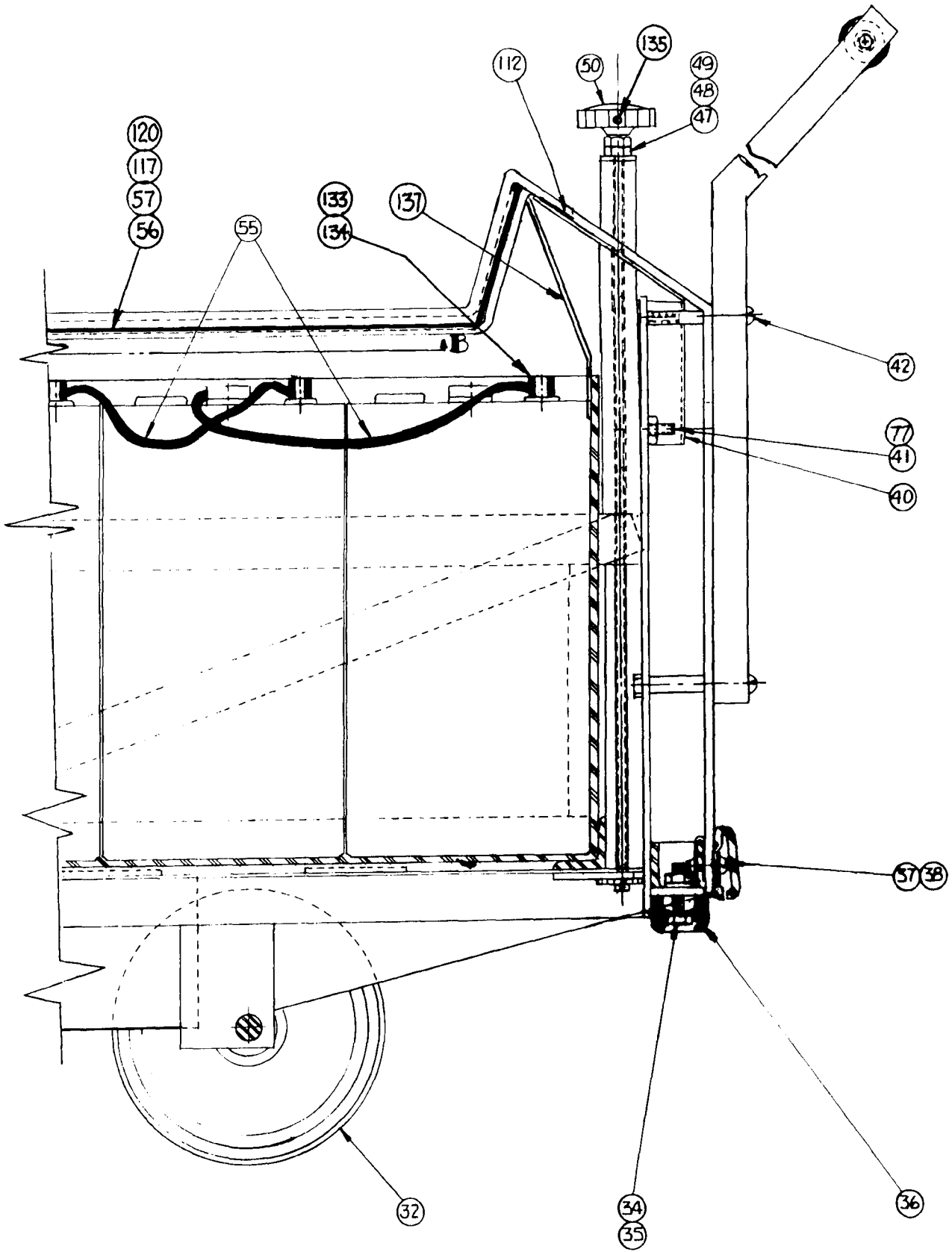


FIGURE A KF-2002B

For Details, See Figure B

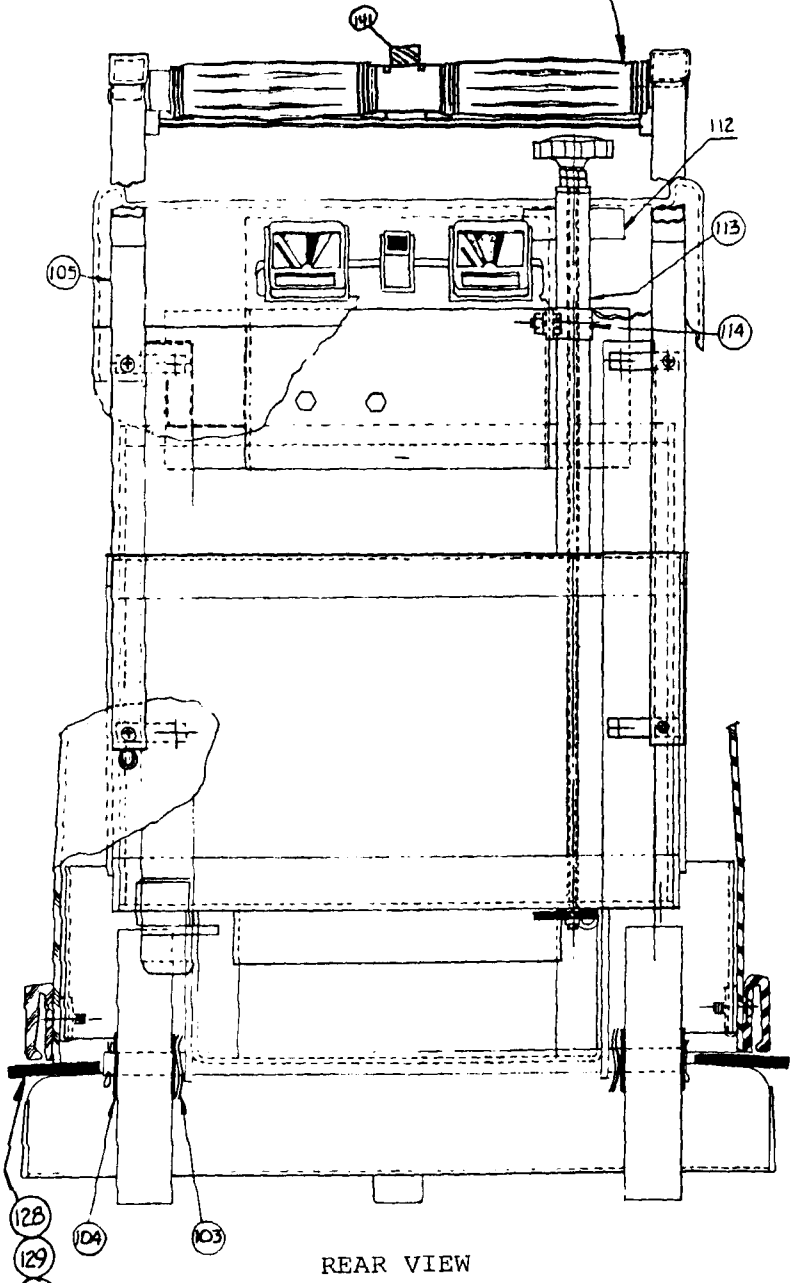
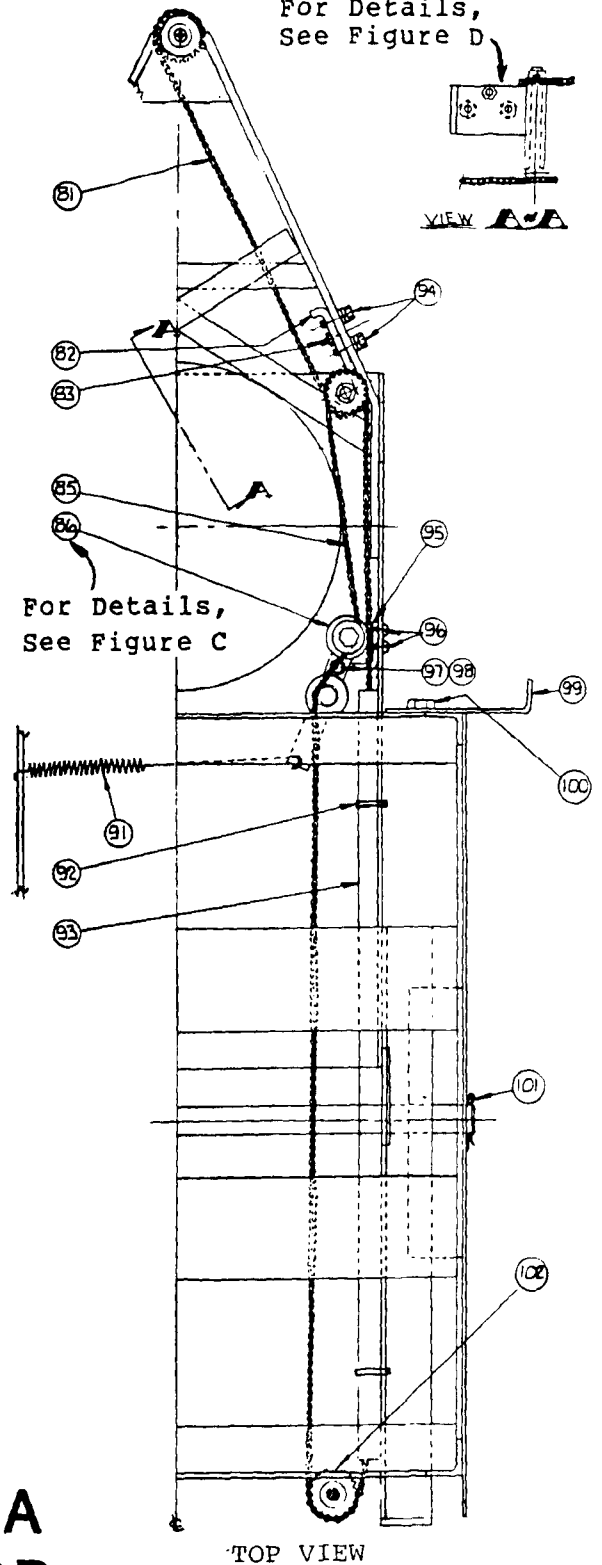


FIGURE A
KF-2002B

For Details, See Figure D



For Details, See Figure C

DET	PART NO.	DESCRIPTION	QUANT
	052775	LABEL,IDENT--RIGHTSIDE	1
	052776	LABEL,IDENT--LEFT SIDE	1
	052777	LABEL,IDENT--FRONT	1
	052778	LABEL,IDENT--BACK	1
1	053006	COVER,CASTER--KF2001B,MACHINED	1
2	002297	SCR MACH FLAT HD .312-18X.625L	1
3	005219	WSHR FLT .406ID1.00OD.071T STL	1
4	033908	WDMT,STL--SHAFT&SPROCKET	1
6	049376	CASTER WHEEL	1
9	026876	BATTERY--12V,185AH,WET	3
9	026880	BATTERY--12V,185AH,DRY	3
18	053082	EXTRUSION,VINYL--DUST GUARD	1
19	053092	SHEET,STL--RETNR-BMPPR,.06X.75W	8
20	020351	ASM,PAD HOLDER--19.0"PLSTCFLEX	1
21	033915	WDMT,PLATE/HUB--DRIVE,KF-2001B	1
22	005387	SCR SET CUP PT .312-18X.500L	2
23	001493	SCR CAP FLAT HD--.375-16X1.00L	3
24	004507	WSHR FLT .812D1.50OD.125 STL	1
25	040407	KEY,SQUARE--.187 SQ,1.125 LONG	1
26	223156	SCR CAP HEX HD .312-24X.750L	1
27	052765	SPACER,STL--.34IDX1.12ODX.25T	1
28	033864	ASM,CLAMPING PLATE--KF-2000B	1
29	024297	MTR,DC--36V,2.50HP,1800RPM	1
29	038826	BRUSH MECHANISM--SCOTT, 2.5HP	4
29	038830	SPRING,NEGATOR--BRUSH,SCOTT2.5	4
30	053001	COVER,BRUSH--20",PAINTED BLK	1
31	033907	WDMT,FRAME--KF2001B	1
32	052751	WHEEL,RUBBER--8.00 DIA,1.62W	2
34	003283	NUT,HEX--.250-20,ZN PLT	8
35	002278	WSHR LK .262ID.489OD.062TSPLT	11
36	052787	BUMPER,RUBBER--1.5 ODX.75 THK	2
37	002263	SCR MACH RD HD .250-20X1.25L	10
38	003429	NUT,SPEED,U--.250-20,.58X1.125	2
41	002253	SCR CAP HEX HD .250-20X.750L	7
42	002271	SCR,MACH-RD HD--.250-20X1.75L	4
47	003368	NUT,HEX LOCK--.375-16,ZN PLT	1
48	003294	NUT,HEX JAM--.375-16,ZN PLT	1
49	004215	WSHR LK .398ID.694OD.040T EXT	1
50	053376	KNOB,PLASTIC--MACH.,RS47484	1
55	025252	ASM,WIRE-- 6GA,RED,18.0L,RINGS	2
56	052801	COVER,BATTERIES--KF-2000B	1
57	052797	TAPE--FOAM,DOUBLESIDE,18.0LONG	3
58	052793	BOX,BATT--KF2000B,MACH'D,3BATT	1
59	003274	NUT,HEX-- 6-32,ZN PLT	2
60	004249	WSHR LK .150ID.320OD.022T EXT	2
61	001248	SCR MACH RD HD 6-32X1.00L	2
62	033053	ASM,SUB--CHARGER,PLUG	1
63	033834	WDMT,LID&HINGE--KF-2000B	1
64	052986	PLATE STL--16 GA DDS,BKR,BRKT.	1
65	026914	SWITCH,BREAKER--32VDC,1 POLE	1
66	034089	ASM,SHROUD,COMP--KF-2002B	1
67	052798	BAG,FILTER--MOTOR1	1
68	033844	ASM,SUPPORT--FILTER BAG	1
69	033859	ASM,CABLE--6GA,BLACK,24.0 LONG	2
70	004253	WSHR LK .204ID.410OD.025T EXT	2
71	002208	SCR MACH RD HD 10-24X1.25L	2
72	053091	BSHG,RUBBER--.37IDX.65OD,.31 L	2
73	046651	GROM--.625 ID,.875 MHD,.062 PA	2
74	053021	SHEET,STL--16GADD,FILTER HOUSG	1
75	052770	GASKET FOAM--.375X.50X29.50LG	3

DET	PART NO.	DESCRIPTION	QUANT
76	053112	TRIM--SEAL,VINYL GRIP,22.50L	1
77	004206	WSHR FLT .281ID.562OD.063T STL	10
78	002382	SCR TPG F PAN HD 10-B X.500L	4
79	052795	TAPE,VINYL--BLACK,15.3CUTLNHTH	1
80	053465	LABEL,IDENT--FRONT LID,KF-2002	1
81	033912	CHAIN,ROLLER--#25,109LK & CONN	1
82	033940	ASM,INTERSHAFT--KF-2001B	1
83	002244	SCR SET CUP PT .250-20X.625L	1
85	033913	CHAIN,ROLLER--#25,275LK & CONN	1
86	033939	ASM,IDLER--KF-2001B	1
91	046575	SPRING,EXT .312D 7.38L .035WD	2
92	050759	STRAP,TIE,ELEC--12.00L,NYLON	10
93	053027	PIPE,PVC--.50 ID X.62 OD X 21	1
94	002256	SCR CAP HEX HD .250-20X1.00L	2
96	005487	SCR TPG F PAN HD 10-24X.500L	2
99	052788	ANGLE,STL--1.12X3.12X5.50L	2
100	002232	SCR CAP HEX HD .250-20X.375L	2
101	005200	PIN,COTTER--.125X1.000 LONG	2
102	033942	ASM,CONTROL SHAFT--KF-2001B	1
103	004508	WSHR,SPRING STEEL--TNSN,.75 OD	4
104	004507	WSHR FLT .812D1.50OD.125 STL	4
105	033760	ASM,HANDLE--COMP,KF-2002B	1
112	053069	LABEL,INSTR--INCREASE/DECREASE	1
113	033911	ASM,CONTROL COLUMN--KF-2001B	1
114	052739	CLAMP,LOOP--COLUMN,.900 DIA.	1
117	049026	LABEL,INSTR--MAINT,AUTO BAT	1
118	052826	LABEL,INSTR--CAUTION,KF2000B	1
120	052980	LABEL,CAUTION--BATTERY CHARGNG	1
124	031360	CHARGER,BAT--36 VDC,120V,60 CY	1
124	031361	CHARGER,BAT--36 VDC,100V,50 CY	1
124	031362	CHARGER,BAT--36 VDC,230V,50 CY	1
125	223046	SCR MACH RD HD 10-32X.375L	4
126	053153	BAR,ALUM--.125X.500X1.50L	2
127	053155	TAPE,VINYL--BLACK,.75X4.00 L	1
128	004217	WSHR FLT .344ID.625OD.071T STL	4
129	051191	OBS,REPLACED BY 38898	2
130	003349	NUT,HEX--.312-18,ZN PLT	2
131	003246	SCR CAP HEX HD .312-18X1.00L	2
132	004212	WSHR LK .326ID.586OD.078TSPLT	4
133	053198	STRAP,TIE,ELEC-- 7.38L,POLYPRP	6
134	053132	GUARD,BATTERY POSTS--10X2	3
135	001276	SCR SET CUP PT 10-24X.250L	1
136	053429	O-RING--1.00 ID,.062T	2
141	053750	SAFETY SWITCH--MOD.,R/S50588	1

FIGURE A

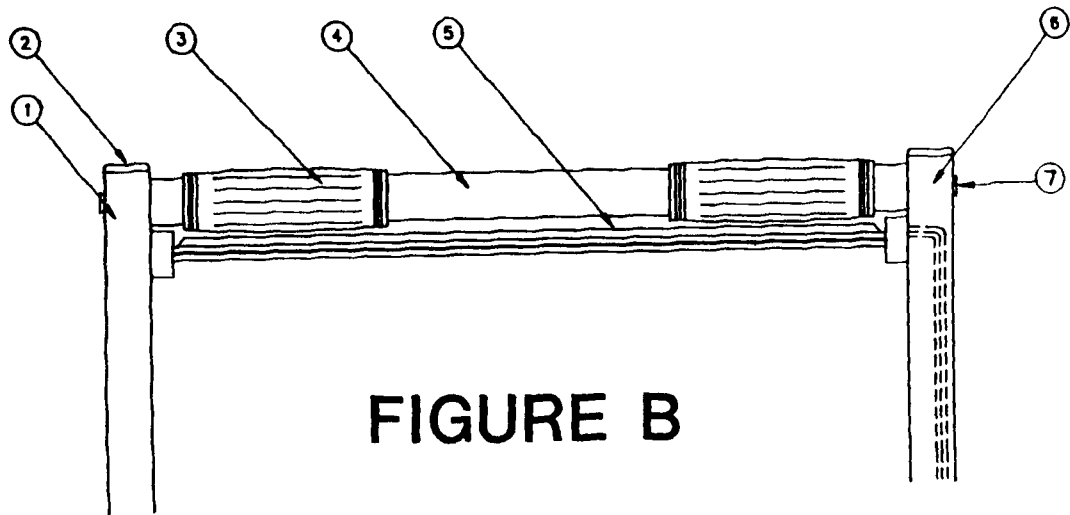


FIGURE B

DET	PART NO.	DESCRIPTION	QUANT
1	034085	WDMT,HANDLE--RIGHT,KF-2002B	1
2	047664	PLUG BUTTON	2
3	051496	GRIP,HANDLE--ALTERED,BLACK	2
4	034083	WDMT,HANDLE--TOP,KF-2002B	1
5	034087	ASM,SWITCH--W/TRIGGER WDMT,COM	1
6	034086	WDMT,HANDLE--LEFT,KF-2002B	1
7	002252	SCR MACH FLAT HD .250-20X.750L	2

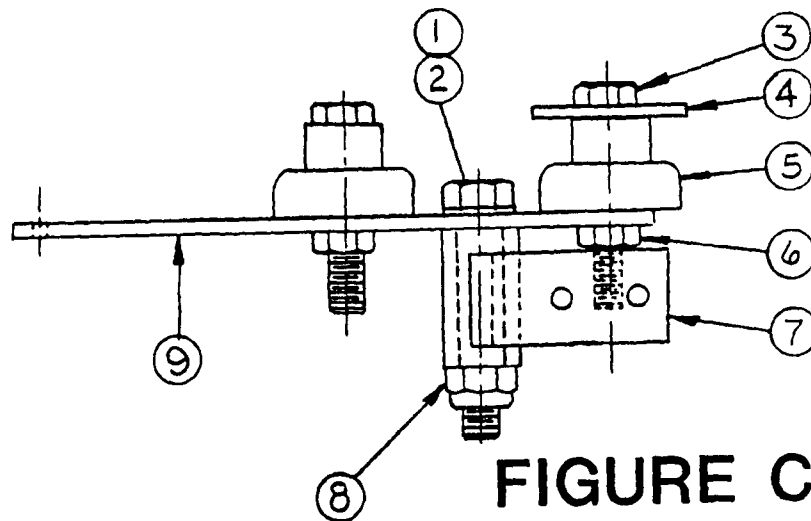


FIGURE C

DET	PART NO.	DESCRIPTION	QUANT
1	005424	SCR CAP HEX HD .375-16X2.00L	1
2	005320	WSHR FLT .406ID.750OD.060T STL	1
3	005223	SCR CAP HEX HD .312-18X1.50L	2
4	004427	WSHR FLT .344ID1.25OD.120T STL	1
5	053037	IDLER,CHAIN TENSIONING--KF2001	2
6	003356	NUT,HEX JAM--.312-18,ZN PLT	2
7	033931	WDMT,IDLER SUPPORT--KF-2001B	1
8	005279	NUT,HEX LOCK--.375-16,NYLOC	1
9	052988	BAR,STL--.125X.75X5.25L	1

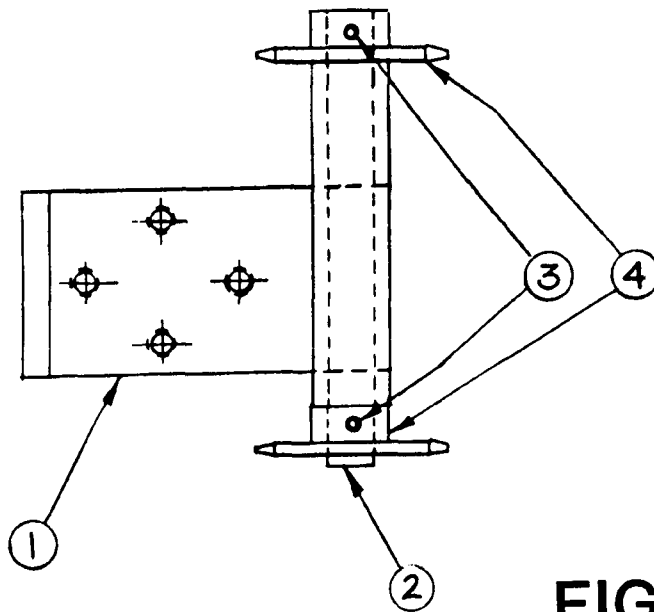
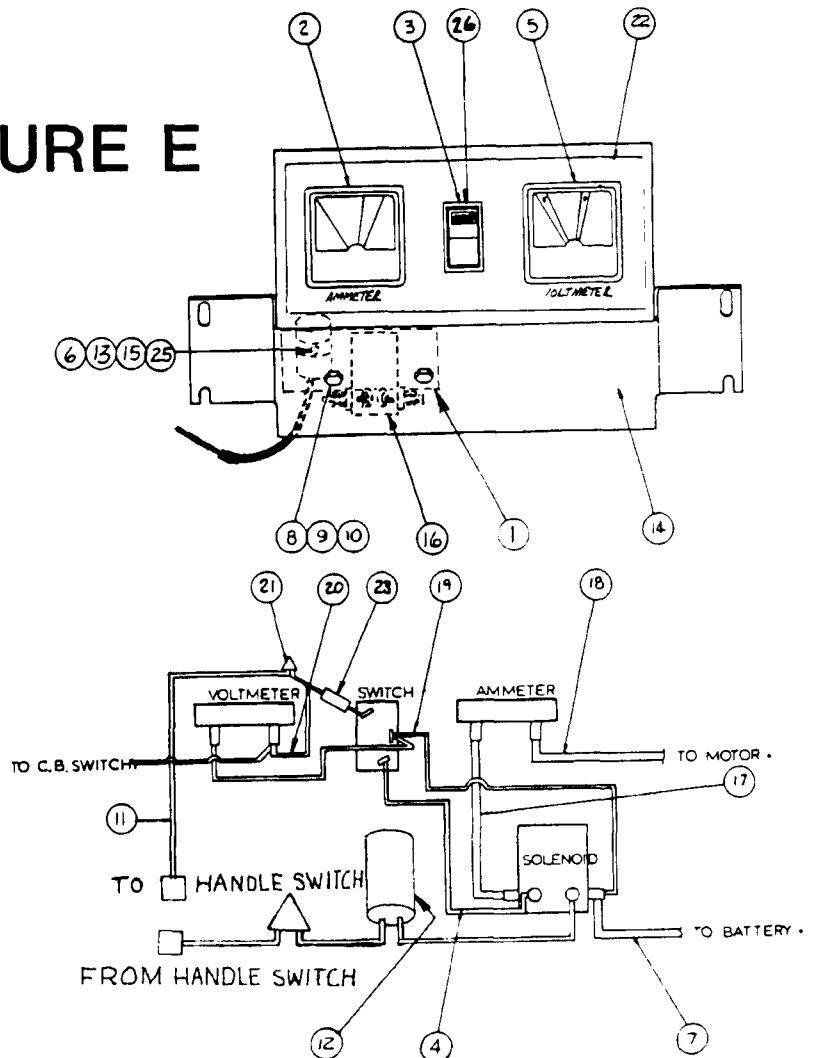


FIGURE D

DET	PART NO.	DESCRIPTION	QUANT
1	033906	WDMT, BEARING AND PLATE--ADJBLE	1
2	053015	ROD, STL--.375 DIA.X4.0L, SHAFT	1
3	002408	PIN, ROLL--.125 DIA, .750L	2
4	053077	SPROCKET, CHAIN--KF-2001B	2

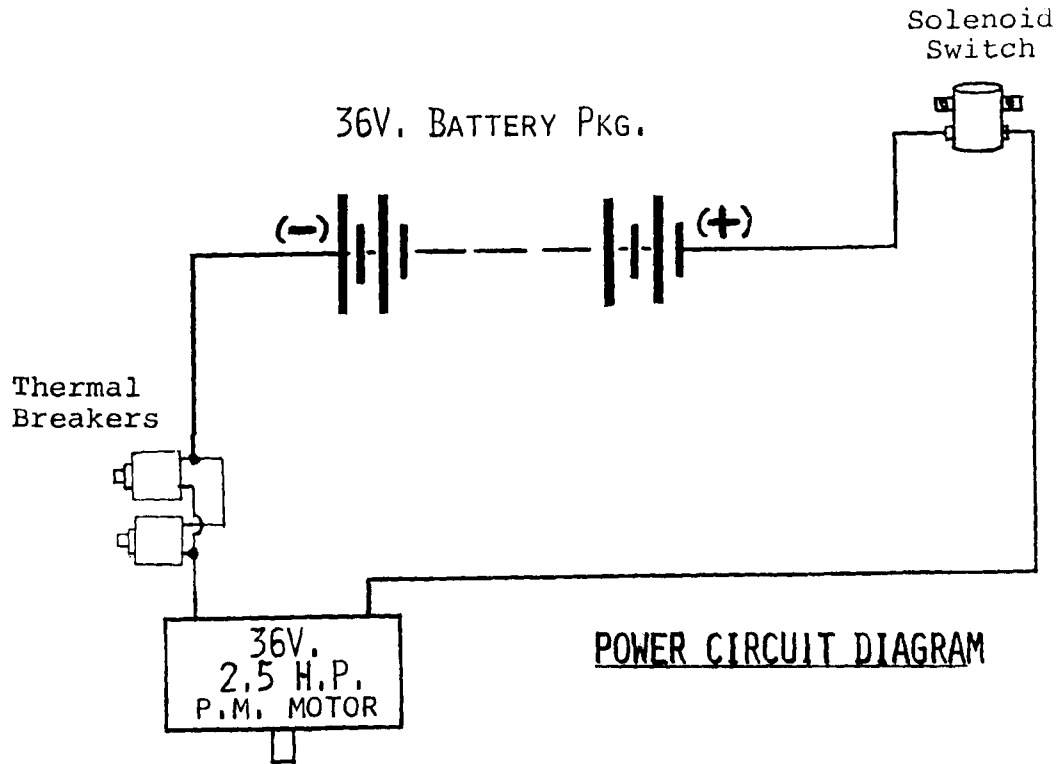
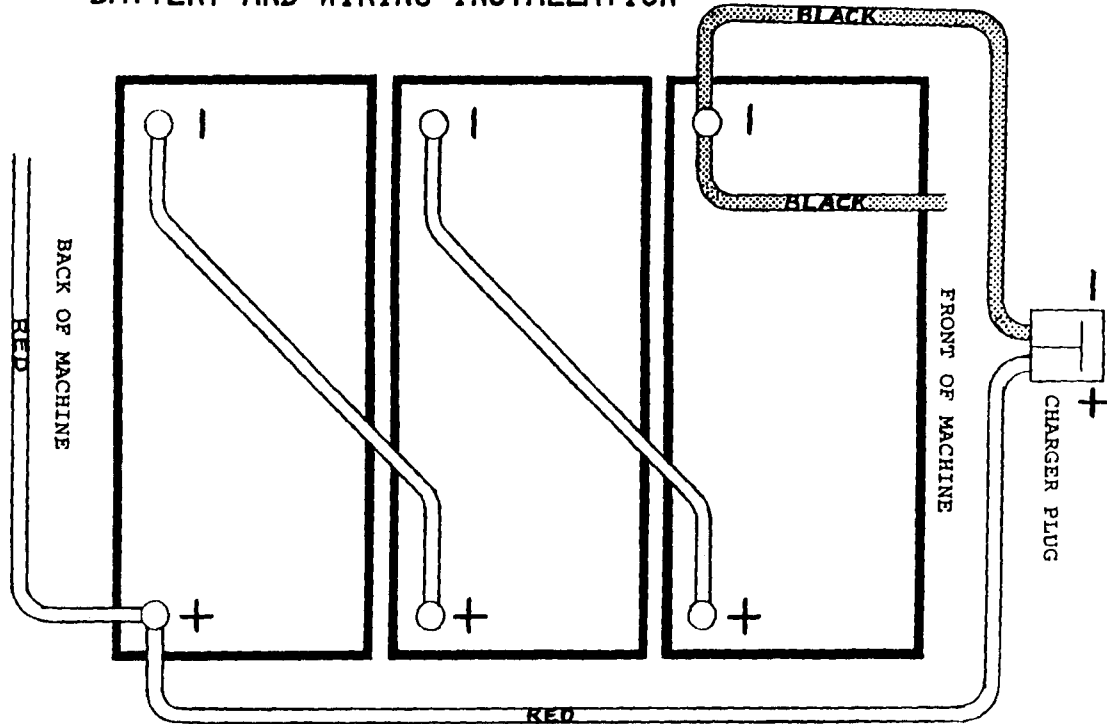
FIGURE E

DET	PART NO.	DESCRIPTION	QUANT
1	053168	BRACKET, SWITCH--STL, 16 GA	1
2	026877	AMMETER, DC-- 0-90 AMPERES	1
3	026875	SWITCH, ROCKER--SPST, W/LIGHT	1
4	025648	ASM, WIRE--16GA, RED, 9.0L, COMB	1
5	026503	VOLTMETER	1
6	053169	CLAMP, MOUNTING--.375W X.410 D	1
7	025252	ASM, WIRE-- 6GA, RED, 18.0L, RINGS	1
8	002237	SCR CAP HEX HD .250-20X.500L	2
9	002278	WSHR LK .262ID.489OD.062TSPLT	2
10	003283	NUT, HEX--.250-20, ZN PLT	2
11	025515	ASM, WIRE--16GA, BLK, 12.0L, RING	1
12	026889	SWITCH, TILT--MERCURY, .3A, 36V	1
13	223188	SCR MACH PAN HD 6-32X.500L	1
14	052762	PANEL, STL--INSTRUMENT, KF-2000B	1
15	003274	NUT, HEX-- 6-32, ZN PLT	1
16	054173	L Bracket	1
17	026420	SOLENOID--SWITCH, SPNO, 36VDC	1
18	025275	ASM, WIRE-- 6GA, RED, 8.0L, RINGS	1
19	025061	ASM, WIRE--6 GA, INSULATED TERM.	1
20	025649	ASM, WIRE--16GA, RED, 9/9.0L, COMB	1
21	025650	ASM, WIRE--16GA, BLK, 9/46L, COMB	1
22	026464	NUT, WIRE-IDEAL 73B	1
23	053124	LABEL, INSTR--OPN, CONT PNL 2001	1
24	025671	ASM, WIRE--RESISTOR LIMITING	1
25	049377	SPACER, STL--.315X.500, .280L	2
26	004249	WSHR LK .150ID.320OD.022T EXT	1
27	048653	SWITCH PROTECTOR	1



KF-2002B BURNISHER

BATTERY AND WIRING INSTALLATION



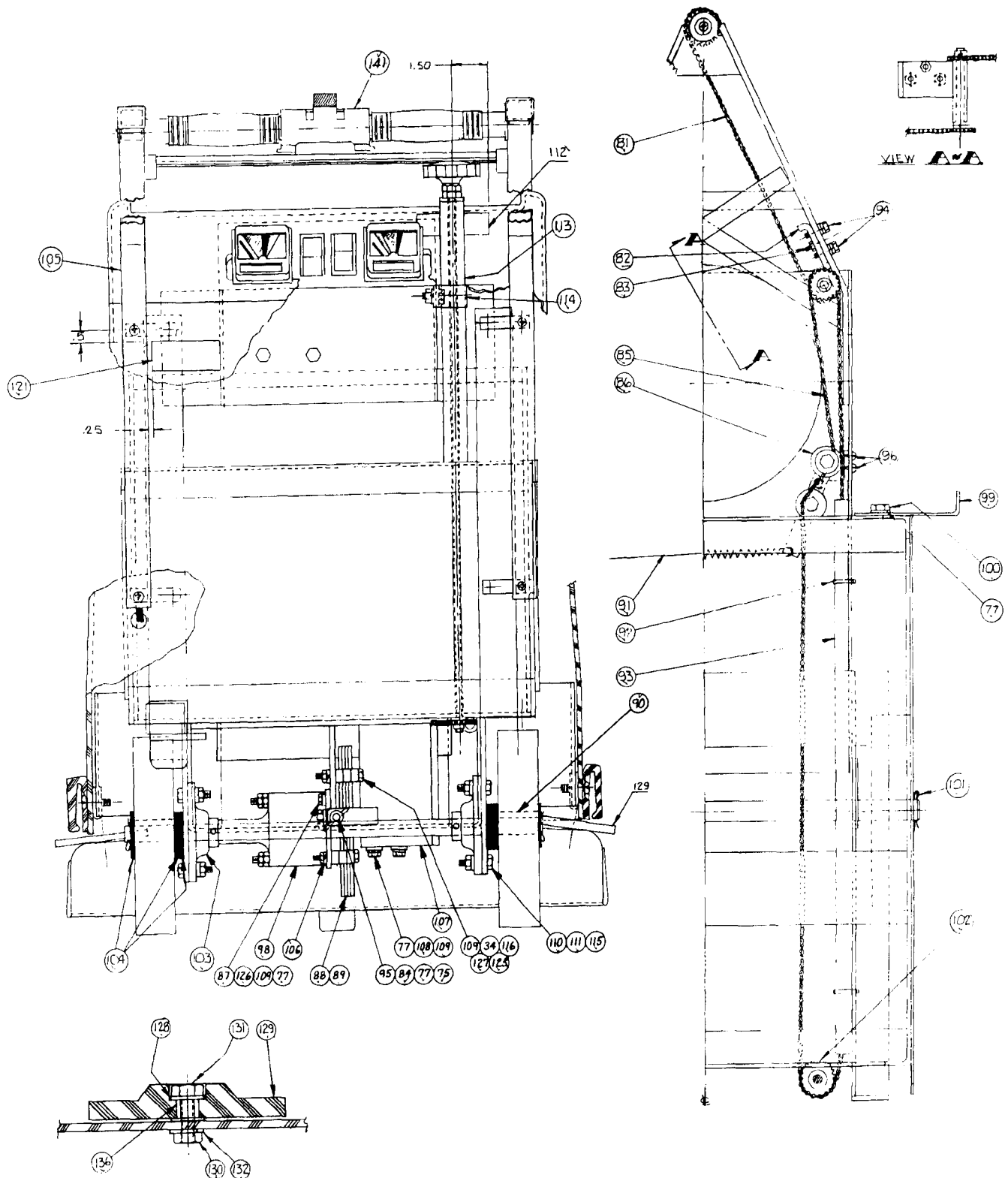


FIGURE F

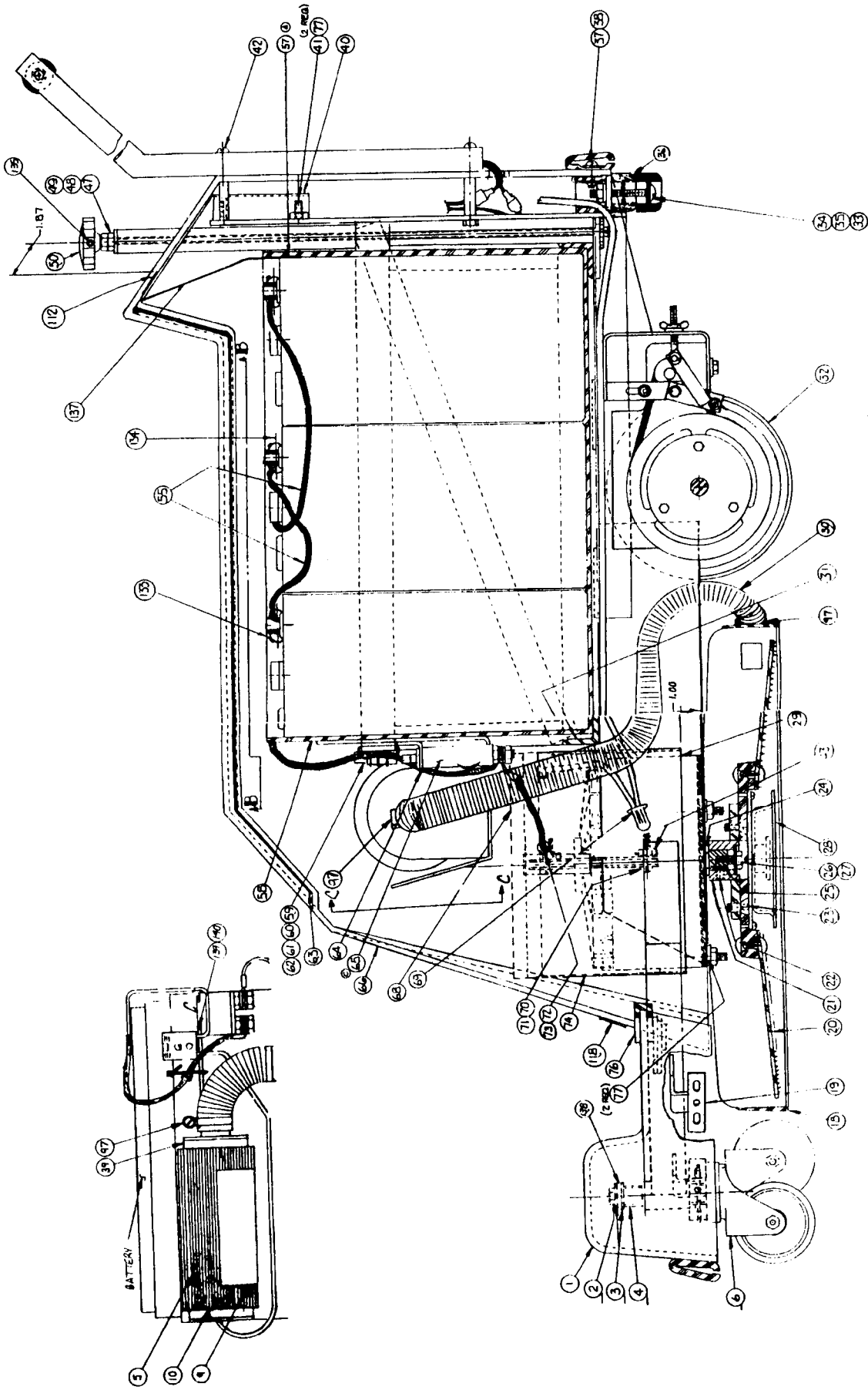


FIGURE F

DET	PART NO.	DESCRIPTION	QUANT
1	053006	COVER,CASTER--KF2001B,MACHINED	1
2	003246	SCR CAP HEX HD .312-18X1.00L	1
3	004515	WSHR FLT .344ID1.25OD,.046THK	2
4	033908	WDMT,STL--SHAFT&SPROCKET	1
5	005487	SCR TPG F PAN HD 10-24X.500L	2
6	049376	CASTER WHEEL	1
7	080198	CTN--56.75LX24.75WX44.00H,KB18	1
8	026959	BATTERY--PKG OF 3,WET,185AH	1
9	034382	WDMT--BRKT,AIR FILTER,KF-2500B	1
10	054332	FILTER--4.3DIAX9.5	1
11	080197	SKID	1
12	080397	STRAP,TIE DOWN--.062X1X60.00L	1
13	002326	SCR CAP HEX HD .500-13X2.50L	2
14	049465	BAR-HOLD DOWN	2
15	004491	WSHR FLT .500ID1.37OD.109T	2
16	004228	WSHR LK .518ID.873OD.125TSPLT	2
17	003296	NUT,HEX--.500-13,ZN PLT	2
18	034416	ASM,COVER--STL,VINYL,EXT,NOZZL	1
19	053092	SHEET,STL--RETNR-BMPR,.06X.75W	8
20	020351	ASM,PAD HOLDER--19.0"PLSTCFLEX	1
21	033915	WDMT,PLATE/HUB--DRIVE,KF-2001B	1
22	005387	SCR SET CUP PT .312-18X.500L	2
23	001493	SCR CAP FLAT HD--.375-16X1.00L	3
24	004507	WSHR FLT .812D1.50OD.125 STL	1
25	040407	KEY,SQUARE--.187 SQ,1.125 LONG	1
26	223156	SCR CAP HEX HD .312-24X.750L	1
27	052765	SPACER,STL--.34IDX1.12ODX.25T	1
28	033864	ASM,CLAMPING PLATE--KF-2000B	1
29	024363	ASM,MOTOR & TERM W/MTG SCREWS	1
30	054309	HOSE,VAC--1.5DIA,28.5IN.L,BLUE	1
31	034383	WDMT,FRAME--KF-2500B	1
32	054252	WHEEL--8.00DIA,.750BORE,1.75HB	2
33	005380	SCR MACH RD HD .250-20X2.00L	2
34	003283	NUT,HEX--.250-20,ZN PLT	8
35	002278	WSHR LK .262ID.489OD.062TSPLT	11
36	052787	BUMPER,RUBBER--1.5 ODX.75 THK	4
37	002263	SCR MACH RD HD .250-20X1.25L	8
38	003429	NUT,SPEED,U--.250-20,.58X1.125	2
39	054219	PAD,FOAM--4.0X4.5X.50	2
40	034414	PANEL,ASM--INSTRUMENT,KF2500B	1
41	002253	SCR CAP HEX HD .250-20X.750L	7
42	002271	SCR,MACH-RD HD--.250-20X1.75L	4
43	003279	NUT,HEX-- 10-24,ZN PLT	2
47	003368	NUT,HEX LOCK--.375-16,ZN PLT	1
48	003294	NUT,HEX JAM--.375-16,ZN PLT	1
49	004215	WSHR LK .398ID.694OD.040T EXT	1
50	053376	KNOB,PLASTIC--MACH,.RS47484	1
55	025252	ASM,WIRE-- 6GA,RED,18.0L,RINGS	2
56	052801	COVER,BATTERIES--KF-2000B	1
57	052797	TAPE--FOAM,DOUBLESIDE,18.0LONG	4
58	052793	BOX,BATT--KF2000B,MACH'D,3BATT	1
59	003274	NUT,HEX-- 6-32,ZN PLT	2
60	004249	WSHR LK .150ID.320OD.022T EXT	2
61	001248	SCR MACH RD HD 6-32X1.00L	2
62	034415	ASM,PLUG--CHARGER	1
63	033834	WDMT,LID&HINGE--KF-2000B	1
64	053682	BRACKET,ANGLE--.87X2.12X3.37L	1
65	026914	SWITCH,BREAKER--32VDC,1 POLE	1
66	034089	ASM,SHROUD,COMP--KF-2002B	1
68	054333	FILTER,FOAM--OPEN CELL,CHARCOL	1
69	025805	NUT,WIRE--GB 13-089	1
70	004253	WSHR LK .204ID.410OD.025T EXT	2
71	002208	SCR MACH RD HD 10-24X1.25L	2
72	049286	GROM--.437 ID,.562 MHD,.062 PA	2
74	054334	SHEET,STL--20GADD,FILTER HSNG	1

DET	PART NO.	DESCRIPTION	QUANT
75	003285	NUT,WING--.250-20,ZN PLT	1
76	053112	TRIM--SEAL,VINYL GRIP,22.50L	1
77	004206	WSHR FLT .281ID.562OD.063T STL	18
78	002382	SCR TPG F PAN HD 10-B X.500L	4
79	052795	TAPE,VINYL--BLACK,15.3CUTLNTH	1
80	054337	LABEL,IDENT--LID,KF-2500B	1
81	033912	CHAIN,ROLLER--# 25,109LK & CONN	1
82	033940	ASM,INTERSHAFT--KF-2001B	1
83	002244	SCR SET CUP PT .250-20X.625L	1
84	222607	PIN,COTTER--.062X .500 LONG	1
85	033913	CHAIN,ROLLER--# 25,275LK & CONN	1
86	033939	ASM,IDLER--KF-2001B	1
87	054335	SPACER,STL--.258X.444,.204 L,Z	1
88	054331	BELT,V--4L,24,2 PITCH LENGTH	1
89	054329	PULLEY,V--1.80 PD 2.00 DIA	1
90	054327	KEY,STL--.188 SQX1.12 LONG	2
91	046575	SPRING,EXT .312D 7.38L .035WD	2
92	050759	STRAP,TIE,ELEC--12.00L,NYLON	10
93	053027	PIPE,PVC--.50 ID X.62 OD X 21	1
94	002256	SCR CAP HEX HD .250-20X1.00L	2
95	054246	BOLT,J--.250-20X2.50,SHANK	1
96	005487	SCR TPG F PAN HD 10-24X.500L	2
97	054221	CLAMP,HOSE--1.75DIA,.50W,AL	2
98	034417	ASM,DIFFERENTIAL--KF2500B	1
99	052788	ANGLE,STL--1.12X3.12X5.50L	2
100	002232	SCR CAP HEX HD .250-20X.375L	2
101	005200	PIN,COTTER--.125X1.000 LONG	2
102	033942	ASM,CONTROL SHAFT--KF-2001B	1
103	027198	BRG,W/PB--.750ID,CAST IRON	2
104	004507	WSHR FLT .812D1.50OD.125 STL	6
105	033760	ASM,HANDLE--COMP,KF-2002B	1
106	034413	ASM,IDLER--KF-2500B	1
107	024361	ASM,MTR&GEAR UNIT--RT.ANGLE	1
108	002243	SCR CAP HEX HD .250-20X.625L	4
109	002278	WSHR LK .262ID.489OD.062TSPLT	6
111	003349	NUT,HEX--.312-18,ZN PLT	4
112	053069	LABEL,INSTR--INCREASE/DECREASE	1
113	033911	ASM,CONTROL COLUMN--KF-2001B	1
114	052739	CLAMP,LOOP--COLUMN,.900 DIA.	1
115	004212	WSHR LK .326ID.586OD.078TSPLT	4
116	004208	WSHR FLT .281ID.500OD.036T STL	2
117	049026	LABEL,INSTR--MAINT,AUTO BAT	1
118	052826	LABEL,INSTR--CAUTION,KF2000B	1
119	054341	LABEL,INSTR--WIRING DIAGRAM	1
120	052980	LABEL,CAUTION--BATTERY CHARGNG	1
121	054336	DATA PLATE--KF-2500B,10704-1	1
122	083168	MANUAL,TECH--KF-2001B,KENT	1
123	047085	STRAP,TIE,ELEC-- 5.50L,NYLON	1
124	031360	CHARGER,BAT--36 VDC,120V.60 CY	1
125	002267	SCR CAP HEX HD .250-20X1.50L	1
126	002243	SCR CAP HEX HD .250-20X.625L	1
127	E47788	BRG,BALL--.250ID, 688OD, .312W	3
128	004218	WSHR FLT .344ID.750OD.060T STL	4
129	053720	WHEEL--4.00DIA, 438BORE,.688HB	2
130	003349	NUT,HEX--.312-18,ZN PLT	2
131	003246	SCR CAP HEX HD .312-18X1.00L	6
132	004212	WSHR LK .326ID.586OD.078TSPLT	4
133	053198	STRAP,TIE,ELEC-- 7.38L POLYPRP	6
134	053132	GUARD,BATTERY POSTS--10X2	3
135	001276	SCR SET CUP PT 10-24X.250L	1
136	053699	SPACER,STL--.312X.437,.43L	2
137	053466	INSULATION BARRIER--BATTERY	1
138	053630	WSHR FLT .344ID1.18OD.12T,RUBB	1
139	001456	SCR MACH PAN HD 6-32X.250L	2
140	004249	WSHR LK .150ID.320OD.022T EXT	2
141	053750	SAFETY SWITCH--MOD..R/S50588	1

FIG F

18 054324 Vinyl
 18 054222 Nozzle
 18 054253 Brush Cover
 29 024345 Carbon Brush

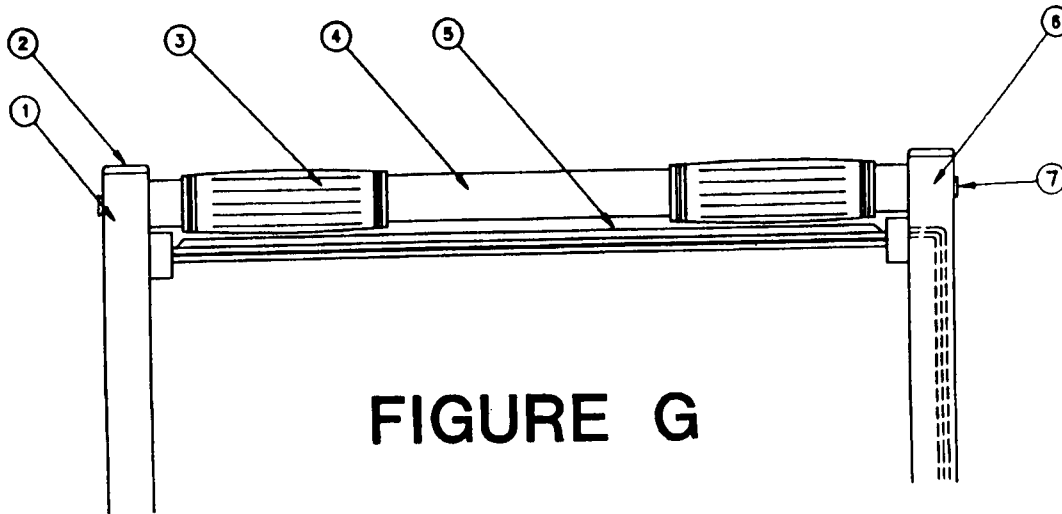


FIGURE G

DET	PART NO.	DESCRIPTION	QUANT
1	034085	WDMT,HANDLE--RIGHT,KF-2002B	1
2	047664	PLUG BUTTON	2
3	051496	GRIP,HANDLE--ALTERED,BLACK	2
4	034083	WDMT,HANDLE--TOP,KF-2002B	1
5	034087	ASM,SWITCH--W/TRIGGER WDMT,COM	1
6	034086	WDMT,HANDLE--LEFT,KF-2002B	1
7	002252	SCR MACH FLAT HD .250-20X.750L	2

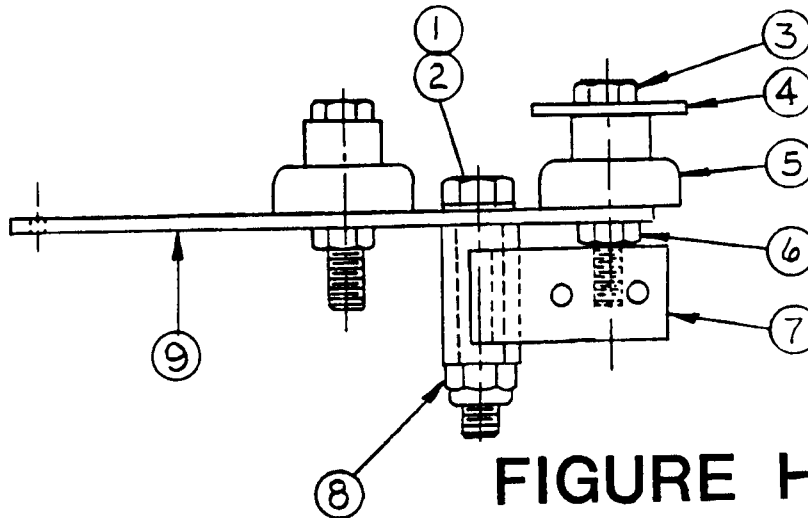
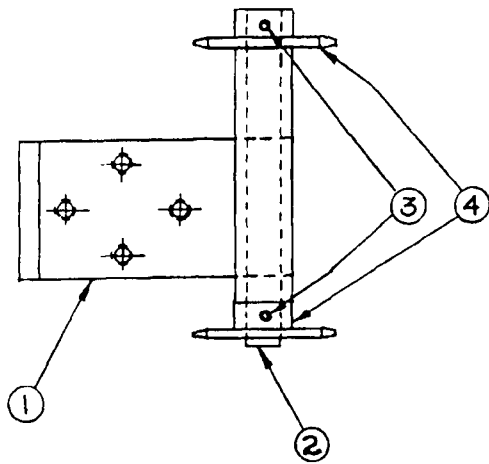


FIGURE H

DET	PART NO.	DESCRIPTION	QUANT
1	005424	SCR CAP HEX HD .375-16X2.00L	1
2	005320	WSHR FLT .406ID.750OD.060T STL	1
3	005223	SCR CAP HEX HD .312-18X1.50L	2
4	004427	WSHR FLT .344ID1.25OD.120T STL	1
5	053037	IDLER,CHAIN TENSIONING--KF2001	2
6	003356	NUT,HEX JAM--.312-18,ZN PLT	2
7	033931	WDMT,IDLER SUPPORT--KF-2001B	1
8	005279	NUT,HEX LOCK--.375-16,NYLOC	1
9	052988	BAR,STL--.125X.75X5.25L	1



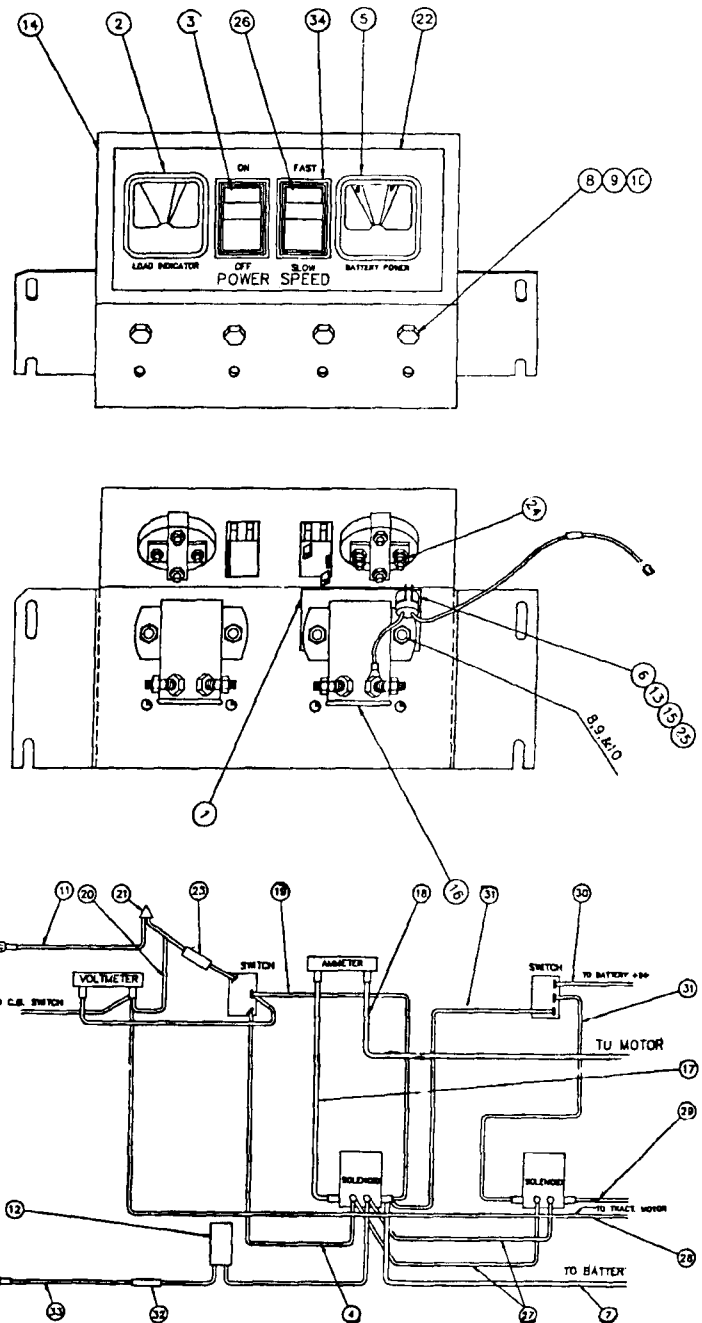
DET	PART NO.	DESCRIPTION	QUANT
1	033906	WDMT, BEARING AND PLATE--ADJBLE	1
2	053015	ROD, STL--.375 DIA.X4.0L, SHAFT	1
3	002408	PIN, ROLL--.125 DIA., .750L	2
4	053077	SPROCKET, CHAIN--KF-2001B	

FIGURE 1

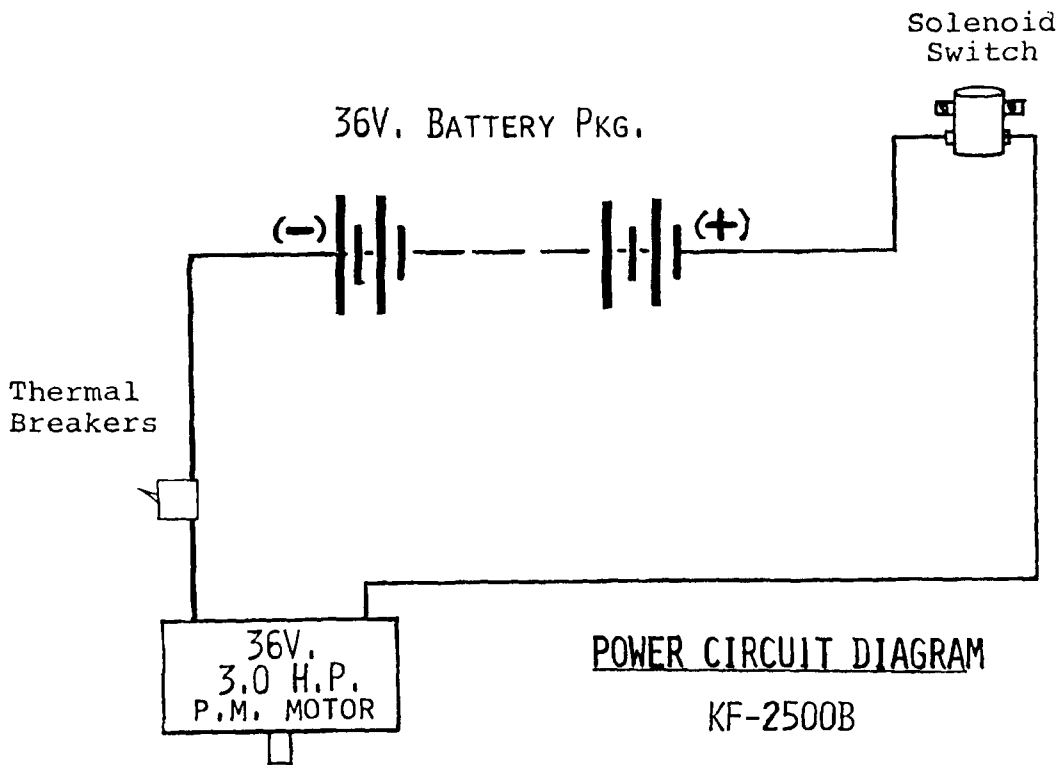
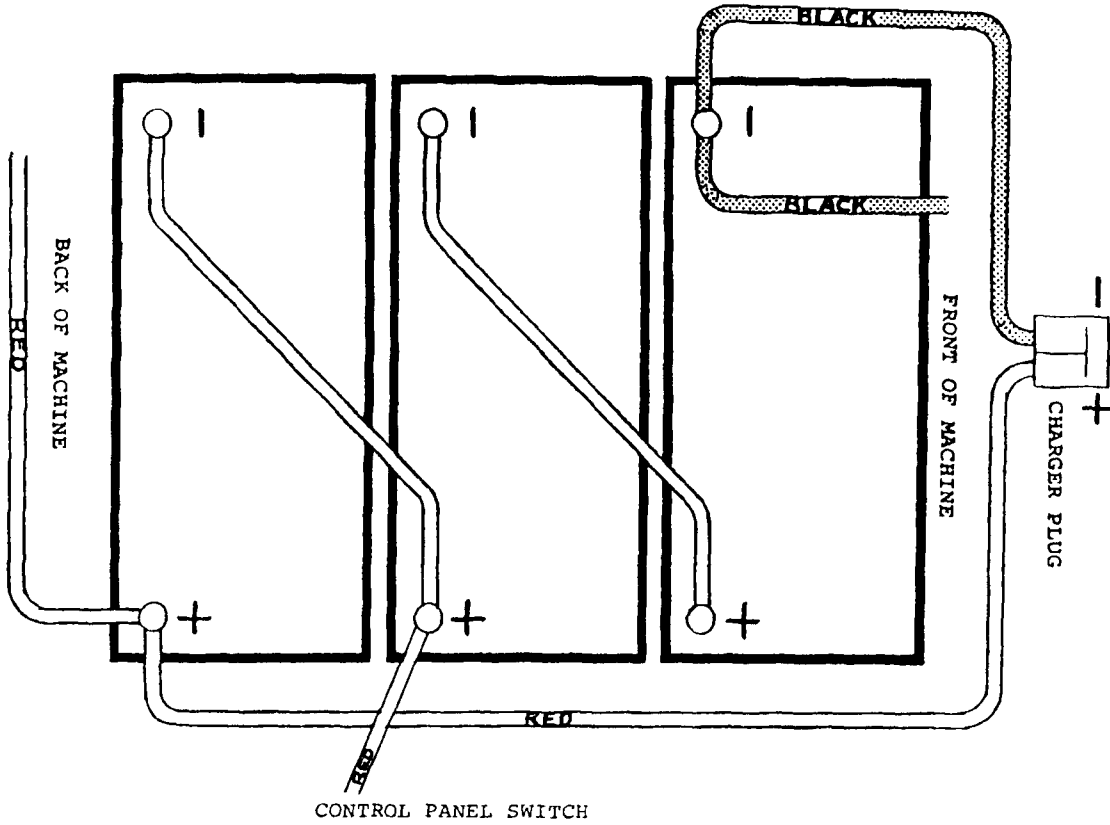
FIGURE J

DET	PART NO.	DESCRIPTION	QUANT
1	053168	BRACKET, SWITCH--STL, 16 GA	1
2	026877	AMMETER, DC-- 0-90 AMPERES	1
3	026875	SWITCH, ROCKER--SPST, W/LIGHT	1
4	025648	ASM, WIRE--16GA, RED, 9.0L, COMB	1
5	026503	VOLTMETER	1
6	053169	CLAMP, MOUNTING--.375W X.410 D	1
7	025252	ASM, WIRE-- 6GA, RED, 18.0L, RINGS	1
8	002237	SCR CAP HEX HD .250-20X.500L	4
9	002278	WSHR LK .262ID.489OD.062TSPLT	4
10	003283	NUT, HEX--.250-20, ZN PLT	4
11	025747	ASM, WIRE--16GA, BLK, 19.00L, QD	1
12	025749	SWITCH, TILT--R/S26889, MODIFIED	1
13	223188	SCR MACH PAN HD 6-32X.500L	1
14	054262	PANEL, STL--INSTR, KF-2500B	1
15	003274	NUT, HEX-- 6-32, ZN PLT	1
16	026504	SOLENOID--SWITCH, SPNO, 36VDC	2
17	025275	ASM, WIRE-- 6GA, RED, 8.0L, RINGS	1
18	025806	ASM, WIRE--6GA, RED, 53.00L, RING	1
19	025649	ASM, WIRE--16GA, RED, 9/9.0L, COMB	1
20	025650	ASM, WIRE--16GA, BLK, 9/46L, COMB	1
21	026464	NUT, WIRE-IDEAL 73B	1
22	054340	LABEL, INSTR--OPN, CONT PNL 2500	1
23	025671	ASM, WIRE--RESISTOR LIMITING	1
24	049377	SPACER, STL--.315X.500, .280L	2
25	004249	WSHR LK .150ID.320OD.022T EXT	1
26	026972	SWITCH, RKR--DPDT, 15A, 277V, 3/4H	1
27	025799	ASM, WIRE--16GA, BLK, 8.0L, RINGS	2
28	025795	ASM, WIRE--12 GA, WH, 26.0L, RING	1
29	025796	ASM, WIRE--12GA, RED, 24.0L, RING	1
30	025797	ASM, WIRE--14GA, RED, 22.0L, COMB	1
31	025798	ASM, WIRE--16GA, RED, 8.0L, COMB.	2
32	051545	SPLICE, CONDUCTOR--16-14AWG, INS	1
33	025748	ASM, WIRE--16GA, BLK, 15.00L, QD	1
34	048653	SWITCH PROTECTOR	2

16 026920 Round Solenoid
16 054773 L Bracket



KF-2500B BURNISHER BATTERY AND WIRING INSTALLATION



THE KENT LIMITED WARRANTY

Your Kent equipment which has been manufactured, tested and inspected in accordance with carefully specified engineering requirements, is warranted to be free from defects in material and workmanship. This warranty is, however, subject to the following qualifications, conditions, and limitations which are set forth to provide you and all users of the Kent equipment with information concerning the duration, extent, availability, and applicability of this Kent limited warranty, the procedure to be taken to obtain its performance, and other information concerning the Kent warranty policy.

The Kent Limited Warranty is extended to the original end user as follows:

KF Series, 175 RPM machine, 5 year parts replacement and 1 year service labor warranty.

KF175SA, KF205S2, and all 1000, 1500, 2000, 2500 RPM electric machines 3 year parts replacement and 1 year service labor warranty. Replacement parts guaranteed for 90 days from date of installation against defects in material and workmanship.

The 10 year poly component replacement warranty with 1 year service labor extends for a period of ten (10) years from the date of the original purchase of the Kent equipment by the original purchaser. This warranty will not cover damage attributable to the following:

- (1) Improper, unreasonable or negligent use or abuse of the equipment.
- (2) Use of equipment with hot water or high temperature above 130 degrees Fahrenheit (54 degrees centigrade).
- (3) "Warpage", "Creepage", or "Distortion" of part so long as the same does not interfere with normal operation.
- (4) Abrasions or punctures of the equipment.

The start date of the warranty coverage shall be the purchase date of the original end user or six months from the date the machine was shipped from the factory, whichever comes first.

PARTS OF KENT EQUIPMENT NOT COVERED BY WARRANTY

Certain parts of Kent equipment require replacement in the ordinary course of use due to normal wear by reason of their characteristics. These are normal wear items such as cords, gaskets, switches, bumpers, carbon brushes, handle grips, bags, hoses, bearings, etc.

EXCEPTIONS AND EXCLUSIONS FROM WARRANTY

This equipment is required to be used on electric current as indicated on the data plate. Otherwise damage, defects, malfunctions or other failures of the equipment arising from use on electric current not as indicated are excepted and excluded from this warranty. Defects, malfunctions, failure or damage of the equipment caused by improper, unreasonable or negligent use or abuse while in the possession of the purchaser are likewise excluded from this warranty. If repair is done on your equipment by anyone other than those designated as authorized to perform such work without first having obtained factory instructions, The Kent Company, at its sole option, may determine that this warranty will not apply and that reimbursement for such repair will not be made because of the failure to comply with such factory specified instructions.

PROCEDURE TO BE TAKEN TO OBTAIN PERFORMANCE OF WARRANTY REPAIR

To secure repair of the equipment or any warranted parts under this warranty, the following procedure should be taken. The inoperative equipment or warranted parts, together with satisfactory evidence of the purchase date, must be delivered, with shipping and delivery charges prepaid, to one of the following:

- (1) The dealer from whom purchased;
- (2) Any Kent distributor's service department in the United States;
- (3) Any Kent authorized service station in the United States.

If you are unable to locate any of the foregoing, you may write or otherwise communicate with The Kent Company for instructions before repair service is performed by anyone else. In such event, The Kent Company will provide either the location of a closely available Kent distributor service department or Kent authorized service station or other factory instructions. Upon compliance with the above procedure, all warranted defects will be repaired, at no additional charge or costs to the customer, and the repaired product returned to the customer, with all shipping and delivery charges prepaid. In following the procedures above set forth, PLEASE MAKE CERTAIN to state the Kent model, type and serial number as shown on the dataplate of the equipment.

REPLACEMENT

In the event of a defect, malfunction or failure of your Kent equipment or any warranted part to conform with this warranty, The Kent Company may, at its sole option and own expense, replace the equipment or any warranted part with another new identical or reasonably equivalent model or part in lieu of repairing the defect.

NO REFUND OF PURCHASE PRICE

The Kent Company will not, as a matter of its warranty policy, refund the customer's purchase price.

WARRANTY REGISTRATION CARD FOR YOUR KENT EQUIPMENT AND REQUEST FOR INFORMATION

Your Kent Company distributor from whom you purchased your equipment is responsible for the registration of your warranty with the factory. We ask that you cooperate with your distributor in supplying the necessary information on the warranty card so that we may better serve you. Any information or questions you may have concerning your Kent equipment or this warranty may likewise be secured from the factory. This warranty gives you specific legal rights, and you may also have other rights which vary from state to state.

THE KENT COMPANY

P.O. BOX 1665 ELKHART, INDIANA 46515