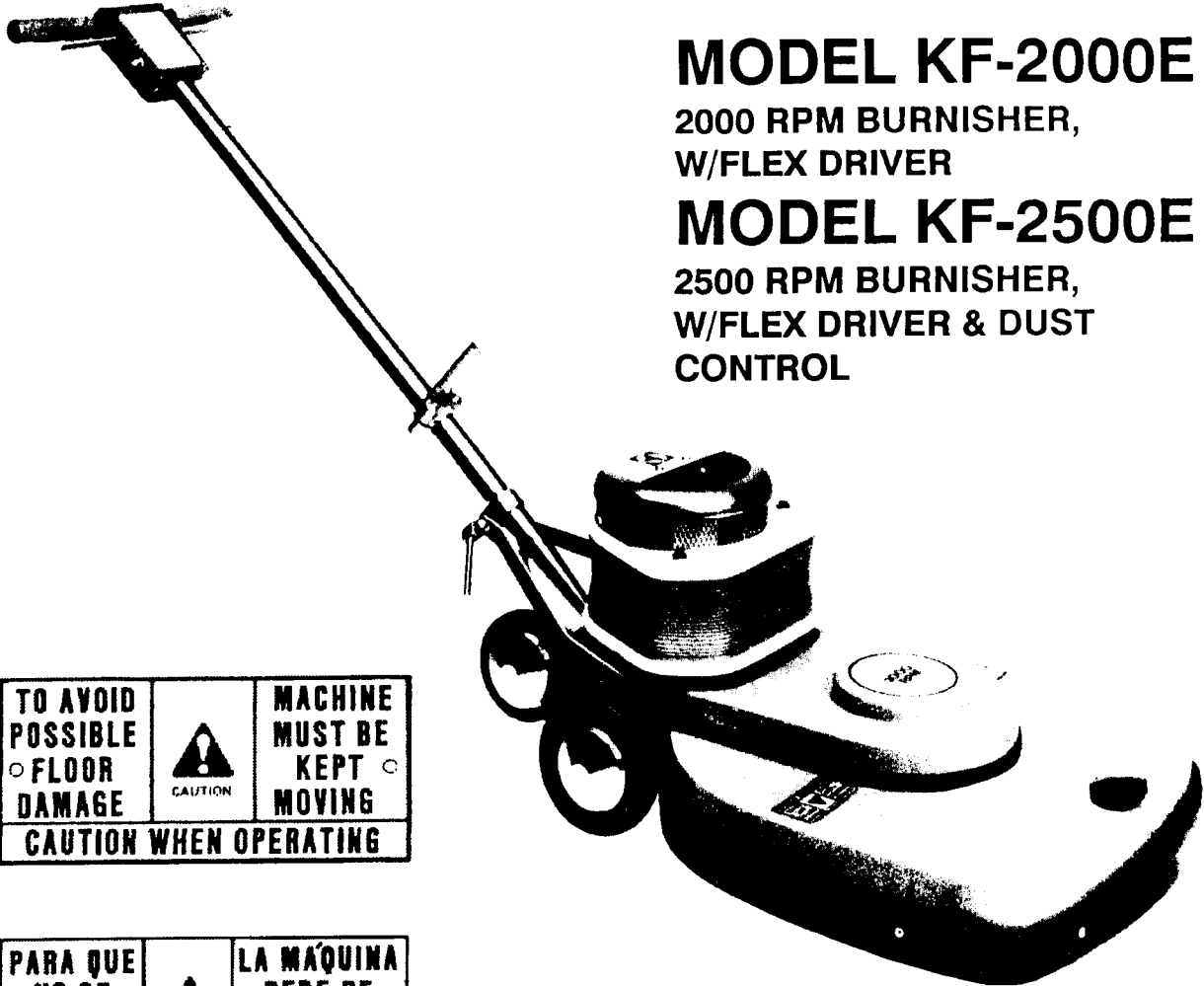




KENT



MODEL KF-2000E

2000 RPM BURNISHER,
W/FLEX DRIVER

MODEL KF-2500E

2500 RPM BURNISHER,
W/FLEX DRIVER & DUST
CONTROL

| | | |
|---|-------------|--------------------------------------|
| TO AVOID POSSIBLE FLOOR DAMAGE | CAUTION | MACHINE MUST BE KEPT MOVING |
| CAUTION WHEN OPERATING | | |

| | | |
|--|-------------|--|
| PARA QUE NO SE MALTRATE EL PISO | CAUTION | LA MÁQUINA DEBE DE ESTAR CAMINADO |
| OPERAR CON PRECAUCION | | |

OPERATING &
MAINTENANCE
INSTRUCTIONS

ILLUSTRATED
PARTS LIST
115 & 230 VOLT

THE KENT COMPANY
2310 INDUSTRIAL PARKWAY
P.O. BOX 1665
ELKHART, IN 46515
TELEX: 258331 KENT CO EKR
FAX: 219-295-8610
WATS: 800-334-1083 (OUTSIDE INDIANA)
219-293-8661

MARCH 1989

Write the model and serial number of your unit in the space provided.

Refer to the data plate on unit.

MODEL#

SERIAL#

Retain this owner's manual for future reference.

IMPORTANT

INTRODUCTION

Your Floor Machine has been especially designed and manufactured to give the maximum in performance in polishing of large floor areas.

With careful maintenance according to the instructions outlined in the following pages, a high standard of operation throughout will be insured.

CAREFULLY INSPECT ALL COMPONENTS TO INSURE THAT THERE IS NO CONCEALED FREIGHT DAMAGE. IF SUCH DAMAGE IS DISCOVERED, FILE A "CONCEALED DAMAGE REPORT" IMMEDIATELY WITH THE DELIVERING CARRIER.

The contents of this manual are based on the latest product information available at the time of publication. The right is reserved to make changes at any time without notice in price, color, materials, equipment, specifications and models.

GENERAL INFORMATION

BEFORE YOU PLUG IN YOUR FLOOR MACHINE, check the voltage data plate located on the inside of the switch box cover below the handle grips to check if it agrees within 10% of the voltage available. (See "Data Plate") Connect only to a grounded (3-wire) electrical outlet. (See "Grounding Instructions")

IMPORTANT SAFEGUARDS



CAUTION:

Accidents due to misuse can only be prevented by those using the machine. To guard against injury, basic safety precautions as shown in this manual should be observed.

READ AND FOLLOW ALL SAFETY INSTRUCTIONS.

This machine is designed to be safe when used to perform the functions specified. Should damage occur to electrical or mechanical parts, the machine should be repaired by manufacturer or competent service station before using in order to avoid further damage to machine or physical injury to user.

SAFETY RECOMMENDATIONS-AVOID HAZARDS

- Your floor machine is equipped with a safety switch-lock and power switch triggers designed for your safety. Do not attempt to bypass or defeat the safety switch-lock. Never use any device to lock the power switch triggers in the ON position.
- A damaged power cord could cause electrical shock and/or fire. To minimize this possibility observe the following precautions:
- Use care to keep electrical supply cord from contacting the rotating brush or drive block.
- Avoid closing doors on power cord, pulling it around sharp edges, or placing sharp edged objects upon it.
- Wind cord no tighter than is necessary to retain it during storage.
- When disconnecting power cord from electrical outlet, grasp the plug. Pulling it out by the cord itself can damage cord insulation and internal connections to plug. Also, avoid damage to insulation by keeping cord away from oil and heat.
- To avoid hazardous conditions, do not use your machine in areas where flammable and/or explosive vapors or dust are present.
- Always disconnect the floor machine from electrical outlet before servicing machine, such as changing brushes, pads, etc.
- Your floor machine is not a toy. Do not allow children or unauthorized personnel to play with unit. Do not leave floor machine connected to an electrical outlet and left unattended.
- Connect only to a grounded (3-wire) electrical outlet.

- WARNING**-To avoid electrical shock, use indoors only.
- WARNING**-This machine is designed for high speed buffing only. It cannot be used for scrubbing or shampooing.

SAVE THESE INSTRUCTIONS

SERVICE INFORMATION

To obtain consistent performance over the life of your machine, read through these instructions and keep them handy for future reference. If you require service, contact the dealer from whom the machine was purchased, or the local authorized Kent Service Agency. Always refer to your Kent Limited Warranty for complete service information.

| THE KENT CO. | | |
|---------------------|--------|------|
| EIKHART INDIANA USA | | |
| SERIAL NR | MODEL | |
| VOLTS | PHASE | Hz |
| MOTOR 1 | A.M.P. | H.P. |
| MOTOR 2 | A.M.P. | H.P. |

The model, type and serial number are indicated on the data plate. For prompt and complete service information, always refer to these numbers when inquiring about service.

We have found that following these step-by-step procedures results in longer machine life and fewer major service problems. We urge that these procedures be POSTED and carefully followed.

GROUNDING INSTRUCTIONS

This machine should be grounded while in use to protect the operator from electrical shock. The machine is equipped with a suitable 3-conductor cord and a 3-prong grounding type receptacle. The green (or green and yellow) conductor in the cord is the grounding wire. Never connect the green (or green and yellow) wire to a live terminal. If your unit is for use on less than 150 volts, it has a plug that looks like Figure 1. If it is for use on 150 to 250 volts, it has a plug that looks like Figure 3. An adapter, Figure 2, is available for connecting Figure 1 plugs to 2-prong receptacles. The green (or green and yellow) grounding wire extending from the adapter must be connected to a permanent

ground such as to a properly grounded outlet box. No adapter is available for Figure 3 plugs.

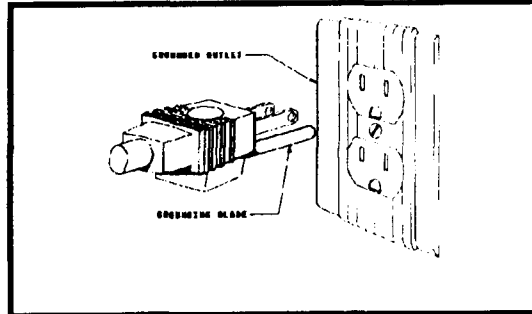


FIG.1

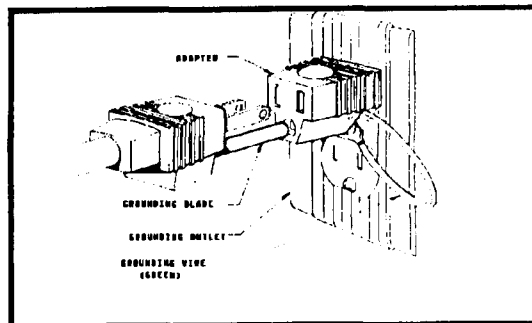


FIG.2

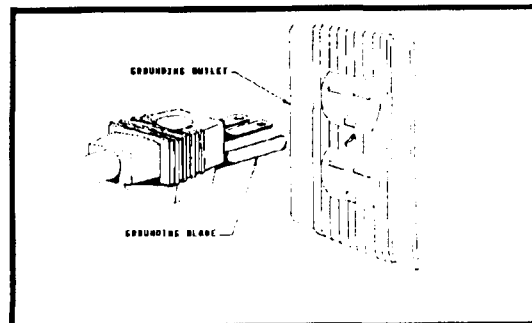


FIG.3

Use only 3-wire extension cords which have 3-prong grounding-type plugs and 3-prong receptacles that accept the appliances plug. Replace or repair damaged cords.

HOW TO USE YOUR FLOOR MACHINE

Your floor machine is packed completely assembled and ready for use. (Pads are not provided with the unit but are available at additional cost.)

When ordering pads or pad holder, specify by part number desired item as listed for each model.

HANDLE ADJUSTMENT

The handle of your floor machine can be adjusted to any comfortable work position. Simply pull upward on the handle locking device located on the lower handle shaft to release the lock. Then adjust the handle to the desired position and push down firmly on the handle locking device to lock handle in position. SEE FIG. 4

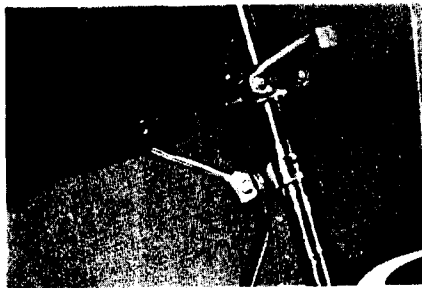
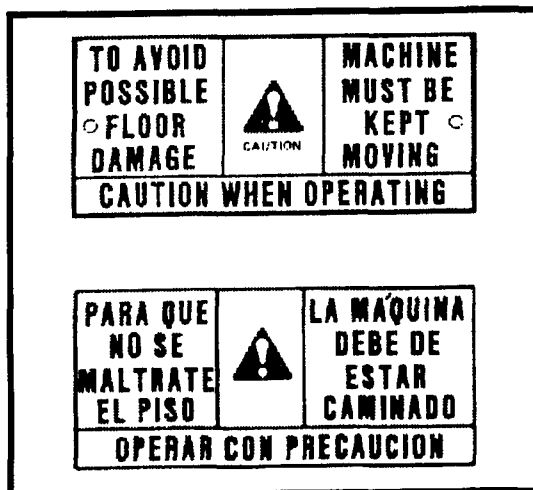


FIG.4

The proper handle position adjustment will greatly improve the handling ability of the machine. Adjust the handle to a position where you can control the machine easily and comfortably. You will want to experiment with the handle position to find the handle height at which the unit operates best for you.

NOTE-Always lower handle to operating position before turning the machine on.



ON/OFF POWER SWITCH TRIGGERS

The ON/OFF switch is conveniently located in the form of dual triggers underneath the handle grips.

TO TURN MACHINE ON

Handle should be lowered to operating position before turning machine on. Place both hands firmly on handle grips with fingers around power triggers. Do not apply pressure on triggers before safety switch-lock is disengaged.

Disengage safety switch lock by pushing it away from you with one thumb. Then, while holding safety switch lock in disengaged position, squeeze the power triggers toward the handle grips and return thumb to handle grip. Maintain a firm grip on the handle when starting. To stop machine simply release triggers. Safety switch-lock will automatically return to engaged position. SEE FIG.5

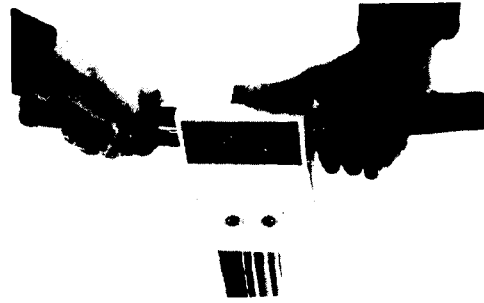


FIG.5

CIRCUIT BREAKER

If the machine becomes overloaded, it will turn off automatically. It is recommended that the cause of overloading the machine be determined before restarting. To restart, wait one minute after the machine shuts off then press reset button located on the side of the switch box. SEE FIG.6

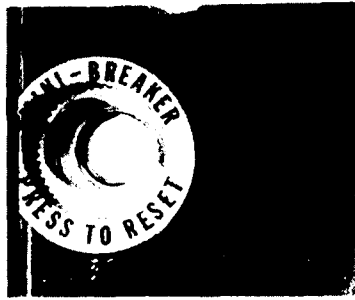


FIG. 6

DRIVE BELT ADJUSTMENT

When drive belt adjustment is necessary:
Loosen the four (4) screws securing the drive motor to the frame.

Adjust belt tension by evenly turning clockwise the two (2) screws at the rear of the frame one turn.

Test machine with pad and pad holder. If belt slips, adjust further. If belt does not slip, tighten motor screws. SEE FIG. 7



FIG. 7

STORAGE

Store machine by tilting back so that all four (4) rear wheels rest on floor. This elevates the drive block so that it need not be removed between uses. Detachable supply cord may be coiled and stored separately or with machine. SEE FIG. 8

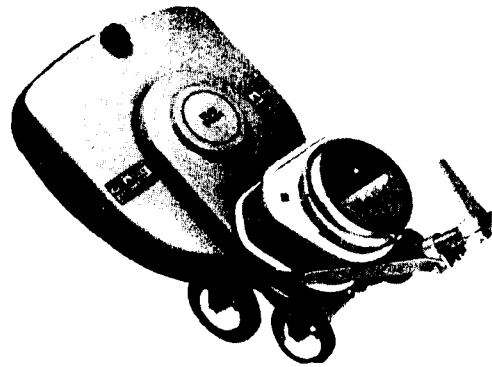


FIG. 8

GUIDELINE FOR OPERATION

Your floor machine is a very sensitive, powerful unit. When in operation, it should be guided gradually and smoothly without sudden or rough motions. You will want to practice with your machine on a smooth surface first until you have experience in operating it.

Always adjust the handle to a height that is comfortable for your operation. (See "Handle Adjustment")

Do not use this floor machine for purposes other than buffing. The pad assembly revolves too quickly for scrubbing or shampooing. After being used, your floor machine can be wiped clean with a soft, damp cloth and should be stored in a clean dry place. Do not allow machine to rest on pad for an extended period of time. The pad could take a set and cause the machine to vibrate excessively.

These models are different than most floor machines in that they have both front and rear wheels and a third set of wheels for transportation up and down steps. The transport wheels normally are not in contact with the floor except when machine is tilted back.

The machine is designed to be adjustable for all types of pad thicknesses. That adjustment is done by rotating the black knob on the front in a counterclockwise direction, this increases pad pressure or turn in a clockwise direction to decrease pad pressure. The machine is equipped with a green indicator light and a red indicator light, located on the white plastic motor cover.

PAD SELECTION IS IMPORTANT

Prior to beginning this operation, be sure the pad is intended for at least 2,000 rpm high-speed use. A pad that is not intended for a minimum of 2,000 rpm high-speed use can disintegrate very quickly and potentially damage components of the machine.

Always remember to keep the machine moving during the setting of the pad height adjustment. Failure to do this will result in damage to a floor in a very short period of time. **DO NOT** keep machine stationary while adjusting pad.

To properly install the pad, put the handle in the upright vertical position and turn machine and handle back on transport wheels so that the pad is fully visible. The pad is held on with a large plastic cup and threaded "T" bar screw. Center the pad on the holder then use the cup and screw to secure in place. Both items are intended to provide necessary centering of any suitable pad used with this product. SEE FIG. 9

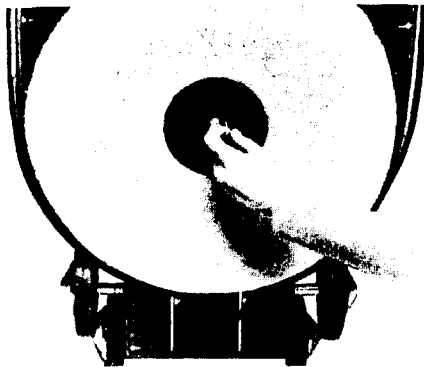


FIG.9

TO BEGIN PAD HEIGHT ADJUSTMENT PROCEDURE

With machine OFF, make sure pad is properly centered and securely fastened to pad holder as indicated earlier, turn black knob in the clockwise direction until it comes to a stop. The pad will be at its maximum height position and should not be touching the floor. Turn the machine ON and keep it moving in a short forward and reverse motion. Both green light and red light should come on momentarily and then be off. These lights are intended to notify the operator of the proper setting.

Turn the knob counterclockwise, increasing pad contact with the floor until the green light comes on and remains on constantly. The load at this time is approximately 14-15 amps (115V). **STOP!** The machine is now adjusted.

Continued adjustment of the knob in counterclockwise direction will increase the load until the red light flickers and remains ON at all times. When the red light is on constantly the motor is being overloaded and attention should be given to either readjusting pad height or changing of the pad since this indicates the motor is drawing approximately 18 amps or more (115V). Continued load at this or at higher levels will trip the circuit breaker in the handle or the circuit breaker in the building. **When the red light is ON constantly, it is recommended that readjustments be made immediately.** SEE FIG. 10

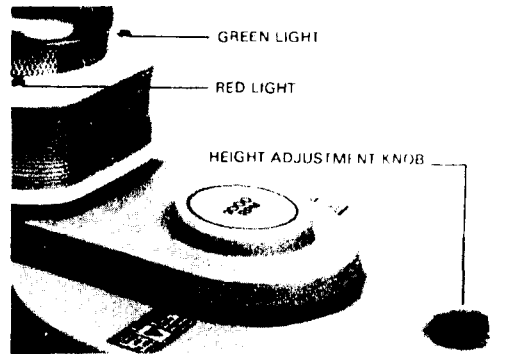


FIG.10

The red and green indicator lights are electronically triggered and should require no adjustment. This is a factory operation only. Failure of the red indicator light to function properly requires replacement of the entire electrical load indicator module, P/N 52401 or 52376, or light P/N 26693 or 26861 (115V).

Just below the circuit breaker in the handle assembly is a red indicator light. This light will come on when the brushes inside the motor are nearly worn out. Change all four (4) motor brushes immediately when this light is lit as instructed on the adjacent warning label. Continued use of the burnisher with warning light ON will result in ultimate shorting out of motor armature.

NOTE-When replacing brushes, one of the brushes will have an extra small twisted wire. Be certain to replace all brushes in the same locations and positions as the old ones.

KF-2500E ONLY

This model is equipped with a dust control heavy-duty cartridge type filter. For best and continued results this filter must be cleaned and all containments removed weekly.

Periodically, inspect the air pick-up nozzle and hose for accumulation or blockage of pad fibers, dust, etc. Keeping the entire air system clean will provide maximum performance. The filter can be cleaned using compressed air or warm water and soap. After washing, allow the filter to dry thoroughly before replacing. **DO NOT** use oil bath treatment (which is commonly used on many filters).

KF-2000E

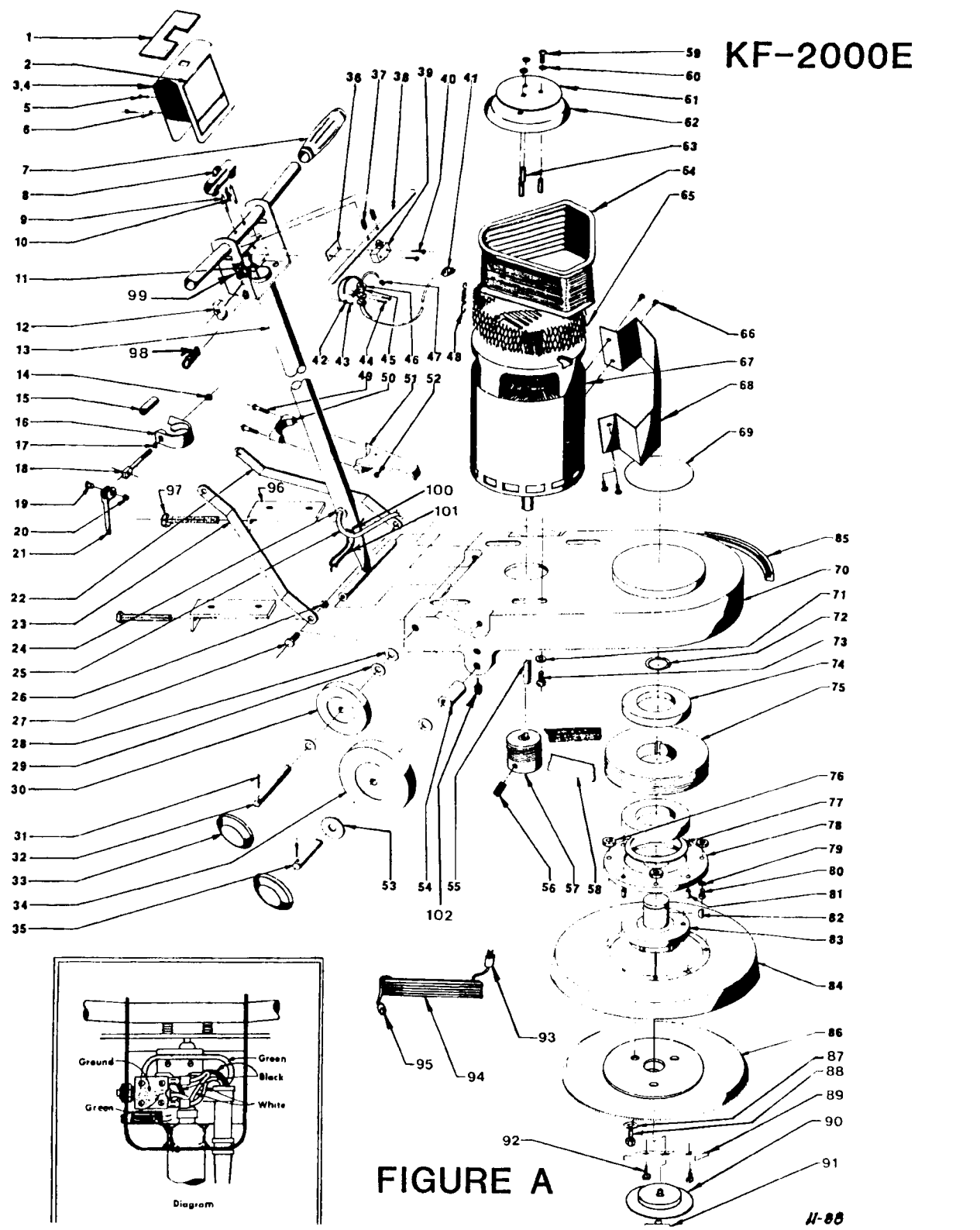


FIGURE A

11-88

| DET | PART NO. | DESCRIPTION | QUANT |
|-----|----------|-------------------------------------|-------|
| 1 | 052409 | LABEL, INSTR--CAUTION FLOOR DAM | 1 |
| 2 | 052523 | LABEL, IDENT--3.1X4.0, KF2000E | 1 |
| 3 | 033665 | ASM, COVER--SWITCHBOX, CHROME | 1 |
| 4 | 050871 | LABEL, INSTR--WRN, FLAMMABLE | 1 |
| 5 | 001331 | SCR TPG C PAN HD 10-24X.750L | 2 |
| 6 | 004253 | WSHR LK .204ID.410OD.025T EXT | 2 |
| 7 | 046652 | HANDLE-GRIPS BLUE | 2 |
| 8 | 050588 | SAFETY SWITCH | 1 |
| 9 | 005467 | PIN, ROLL-- .125 DIA, 1.750L | 2 |
| 10 | 048785 | SPRING, EXT .250D 2.00L .026WD | 1 |
| 11 | 046647 | CLAMP, LOOP-- .500 DIA., STL | 1 |
| 12 | 026699 | CIRCUIT BREAKER 20 AMP | 1 |
| 12 | 026751 | CIRCUIT BREAKER--10AMP | 1 |
| 13 | 033047 | WDMT, HANDLE--FL MACH | 1 |
| 14 | 005279 | NUT, HEX LOCK-- .375-16, NYLOC | 1 |
| 15 | 046606 | SPACER, RBR-- .325X.656, 2.000L | 1 |
| 16 | 046595 | CLAMP HANDLE LOCK R/S 96762 | 1 |
| 17 | 046607 | WSHR SLTD .227X.656, 1.00OD.073 | 1 |
| 18 | 046597 | CLAMP STUD | 1 |
| 19 | 004314 | RIVET, SLD-- .312 DIA, .750L, STL | 1 |
| 20 | 046632 | NUT, PUSH-- .312, WASHER CAP, ZN P | 1 |
| 21 | 046596 | CAM-HANDLE LOCK | 1 |
| 22 | 050767 | CONNECTING LEG-LEFT | 1 |
| 23 | 050766 | CONNECTING LEG-RIGHT | 1 |
| 24 | 046651 | GROM-- .625 ID., .875 MHD., .062 PA | 1 |
| 25 | 026863 | CABLE, ELEC--14-3, ST, GRAY, 60IN | 1 |
| 26 | 003368 | NUT, HEX LOCK-- .375-16, ZN PLT | 2 |
| 27 | 003265 | SCR CAP HEX HD .375-16X1.50L | 2 |
| 28 | 005449 | WSHR SPR TNSN .531ID.880OD.030 | 2 |
| 29 | 004230 | WSHR FLT .515ID.750OD.031T FBR | 8 |
| 30 | 052213 | WHEEL--RS 48058 W/3 HOLES, 5" | 2 |
| 31 | 005383 | PIN, COTTER-- .094X1.000 LONG | 4 |
| 32 | 050765 | AXLE-H.S. FL MACH KF205H | 1 |
| 33 | 052204 | CAP, HUB--PLASTIC, 3.68OD, 3.25BC | 4 |
| 34 | 052218 | WHEEL--RS 50776 W/3 HOLES, 6IN | 2 |
| 35 | 052388 | AXLE--H.S.F.M..50DIA X 17.50L | 1 |
| 36 | 046653 | INSUL PAPER | 1 |
| 37 | 046648 | SPRING, COMP .344D .687L .032WD | 2 |
| 38 | 050011 | TRIGGER-FL MACH SWITCHBOX | 1 |
| 39 | 026412 | SWITCH-PUSH--SPDT, 21A, 120-240V | 1 |
| 40 | 001312 | SCR TPG C RD HD 6-32X1.00L | 2 |
| 41 | 026672 | CONN, PLUG--3-WR, 15A, 125V, TWIST | 1 |
| 42 | 005347 | WSHR FLT .188ID.438OD.065T BRS | 1 |
| 43 | 001255 | SCR MACH RD HD 8-32X.375L | 1 |
| 44 | 005316 | SCR TPG F PAN HD 10-24X.375L | 3 |
| 45 | 046642 | CLAMP-MOULDED STRAIN RELIEF | 1 |
| 46 | 025528 | CABLE, ELEC--14-3, ST, GRAY, 15IN | 1 |
| 47 | 026400 | NUT, WIRE--IDEAL 74B | 1 |
| 48 | E45503 | SPRING, EXT .257D 1.25L .035WD | 1 |
| 49 | 005515 | SCR MACH FIL HD .312-18X1.75L | 2 |
| 50 | 048572 | CORD HOOK-CAP R/S 97346 | 1 |
| 51 | 048571 | CORD HOOK R/S 97345 | 1 |
| 52 | 003349 | NUT, HEX-- .312-18, ZN PLT | 2 |
| 53 | 004475 | WSHR FLT .500ID1.87OD.105T STL | 1 |
| 54 | 052387 | SPACER, STL-- .506X.750, 1.500L, Z | 2 |
| 55 | 040673 | KEY, SQUARE-- .187 SQ, 1.000 LONG | 1 |
| 56 | 005387 | SCR SET CUP PT .312-18X.500L | 2 |
| 57 | 050779 | PULLEY-DRIVE KF205H | 1 |
| 58 | 050778 | BELT 340J10 KF205H | 1 |
| 59 | 001368 | SCR MACH PAN HD 10-32X1.00L | 3 |

| DET | PART NO. | DESCRIPTION | QUANT |
|-----|----------|-------------------------------------|-------|
| 60 | 004253 | WSHR LK .204ID.410OD.025T EXT | 3 |
| 61 | 050060 | LABEL, IDENT--INDL FL, 6.50 CIR | 1 |
| 62 | 050013 | DRIP COVER-MOTOR | 1 |
| 63 | 051022 | SPACER, PHEN-- .250X.500, .781L | 3 |
| 64 | 050903 | COVER-MOTOR | 1 |
| 65 | 052392 | SCREEN, ALUM--CVR, MOTOR INLET | 1 |
| 66 | 001345 | SCR TPG F PAN HD 10-24X.250L | 4 |
| 67 | 015683 | PAD, BURNISH--19.0 OD, 3.5 ID, NA | 1 |
| 67 | 024284 | MTR, DC--115/60, 1.5HP, 3000RPM | 1 |
| 67 | 024294 | MTR, DC--230/50, 1.5HP, 3000 RPM | 1 |
| 67 | 027177 | BRG, BALL-- .669ID, 1.575OD, .472W | 1 |
| 67 | 027212 | BRG, BALL-- .787ID, 1.850OD, .551W | 1 |
| 67 | 038782 | SPRING--CARBON BRUSH, SET OF 4 | 1 |
| 67 | 038783 | ASM, CBN BRUSH&RING--FOR 24284 | 1 |
| 67 | 038784 | RECTIFIER, BRIDGE--FOR 24284 | 2 |
| 67 | 038785 | BRUSH, MTR--FOR 24284, | 1 |
| 67 | 038798 | KIT, BRSH MTR--24284, SET OF 4 | 1 |
| 68 | 052371 | STAND OFF--MOTOR COVER, H-SPEED | 1 |
| 69 | 052389 | LABEL, IDENT--2000 RPM, 4.75 CIR | 1 |
| 70 | 050761 | FRAME - H S | 1 |
| 71 | 004214 | WSHR LK .390ID.683OD.094TSPLT | 4 |
| 72 | 004473 | RING, RTNG--EXT.1.37 SHAFT, 5100 | 1 |
| 73 | 003259 | SCR CAP HEX HD .375-16X.625L | 4 |
| 74 | 027219 | BRG, BALL--1.37ID, 3.149OD, .827W | 2 |
| 75 | 050774 | PULLEY, GRVD--10 GRV, 4.50PD | 1 |
| 76 | 004504 | WSHR FLT., 265ID.750OD.150T STL | 6 |
| 77 | 004474 | WSHR SPR TNSN 2.67ID2.98OD.030 | 1 |
| 78 | 050762 | HOUSING-H.S. | 1 |
| 79 | 002278 | WSHR LK .262ID.489OD.062TSPLT | 7 |
| 80 | 002260 | SCR CAP SOC HD .250-20X1.00L | 4 |
| 81 | 004477 | PIN, DOWEL-- .250X1.500 LONG | 2 |
| 82 | 050775 | KEY, WOODRUFF--#608, 1.00D, .187W | 1 |
| 83 | 033769 | WDMT, PLATE/SHAFT--DRIVE | 1 |
| 84 | 052372 | COVER, BRUSH--19.25", KF2000E | 1 |
| 85 | 052393 | CHAN, RUBBER--CUT LENGTH 35" LG | 1 |
| 86 | 020353 | HOLDER, PAD--18.00", PLASTIC | 1 |
| 87 | 002278 | WSHR LK .262ID.489OD.062TSPLT | 3 |
| 88 | 003224 | SCR CAP HEX HD .375-16X.750L | 3 |
| 89 | 052736 | BAR, STL-- .187X1.25X 6.12 LONG | 1 |
| 90 | 033864 | ASM, CLAMPING PLATE--KF-2000B | 1 |
| 90 | 052373 | CLAMPING PLATE--H.S. PAD HOLDER | 1 |
| 91 | 033816 | WDMT, PAD RETAINER--KB-2000B | 1 |
| 92 | 002382 | SCR TPG F PAN HD 10-B X.500L | 2 |
| 93 | 026675 | CONN, PLUG--3-WR, 15A, 125V, HOSPI | 1 |
| 94 | 025526 | CORD, POWER--14-3, ST, GRAY, EXT SN | 1 |
| 94 | 025527 | CORD, POWER--14-3, ST, GRAY, 75' | 1 |
| 94 | 025720 | CORD, POWER--12-2, SJO, GRAY, 75' | 1 |
| 95 | 026676 | CONN, RCPT--3-WR, 15A, 125V, TWIST | 1 |
| 96 | 050941 | BRACKET-BELT ADJUSTMENT | 2 |
| 97 | 005558 | SCR CAP HEX HD .250-20X5.50L | 2 |
| 98 | 026476 | INDICATOR LIGHT-RED | 1 |
| 98 | 026524 | INDICATOR LIGHT | 1 |
| 99 | 053545 | LABEL, INSTR--WHEN LIT, CHANGE | 1 |
| 100 | 047365 | GROM-- .375 ID, 500 MHD, 250 PA | 1 |
| 101 | 025752 | CABLE, ELEC--20-2, SJT, GREY, 60"L | 1 |
| 102 | 223228 | SCR SET CUP PT .250-20X.500L | 2 |

FIG A

| DET | PART NO. | DESCRIPTION | QUANT |
|-----|----------|--------------------------------|-------|
| 1 | 033711 | ASM,KNOB--LOAD ADJ,KF-2000E | 1 |
| 2 | 005266 | SCR MACH FLAT HD .250-20X1.37L | 5 |
| 3 | 052165 | COVER,BRUSH--MACHINED,KF2000E | 1 |
| 4 | 052383 | EXTRUSION,VINYL--70"L,BLACK | 1 |
| 5 | 033704 | WDMT,AXLE BRKT--H-SPEED,CASTER | 1 |
| 6 | 052163 | BAR,STL--.625X1.000X1.62 LG | 1 |
| 7 | 052377 | SPACER,EXTRUSION--VINYL,BLACK | 1 |
| 8 | 002252 | SCR MACH FLAT HD .250-20X.750L | 2 |
| 9 | 002278 | WSHR LK .262ID.489OD.062TSPLT | 2 |
| 10 | 052168 | AXLE,STL--.375DIA X 18.71LG | 1 |
| 11 | 004296 | PIN,COTTER--.094X .500 LONG | 6 |
| 12 | 004223 | WSHR FLT .406ID.625OD.036T STL | 6 |
| 13 | 052764 | PLATE,STL--1.00X1.344X16G | 2 |
| 14 | 050955 | GROM--.437 ID,.687 MHD,.250 PA | 2 |
| 15 | 049261 | WHEEL--3.00DIA,.380BORE,.875HB | 2 |
| 16 | 002243 | SCR CAP HEX HD .250-20X.625L | 2 |
| 17 | 052522 | GUARD,STRIP--16 GA SS(FORMED) | 1 |
| 18 | 005266 | SCR MACH FLAT HD .250-20X1.37L | 2 |
| 19 | 004309 | WSHR FLT .156ID.375OD.065T STL | 2 |
| 20 | 001259 | SCR MACH RD HD 8-32X.500L | 2 |
| 21 | 003276 | NUT,HEX-- 8-32,ZN PLT | 2 |
| 22 | 004252 | WSHR LK .176ID.381OD.023T EXT | 2 |
| 23 | 005316 | | |

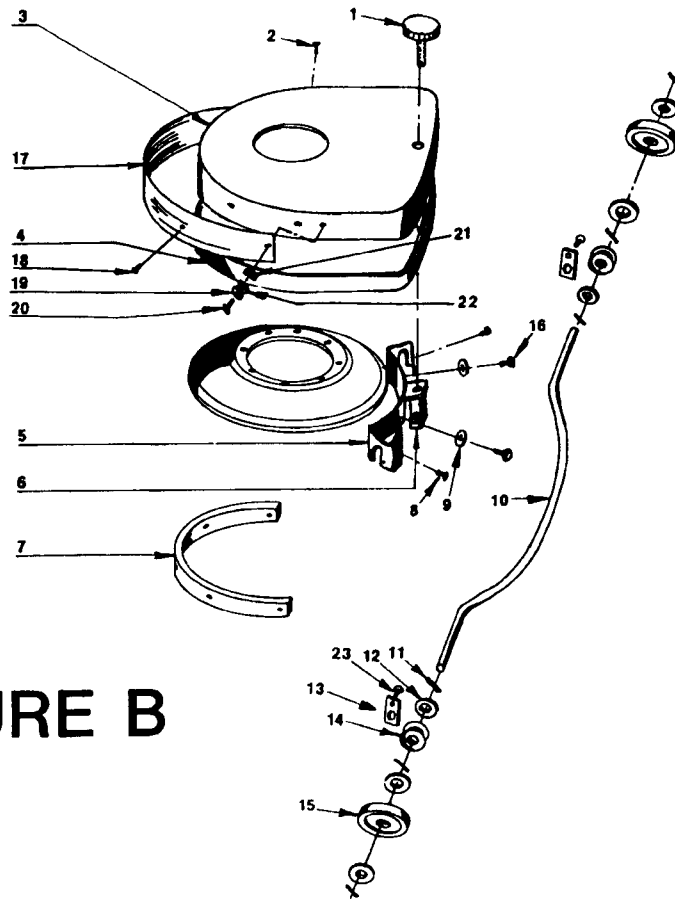
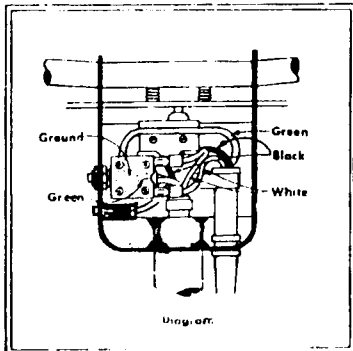
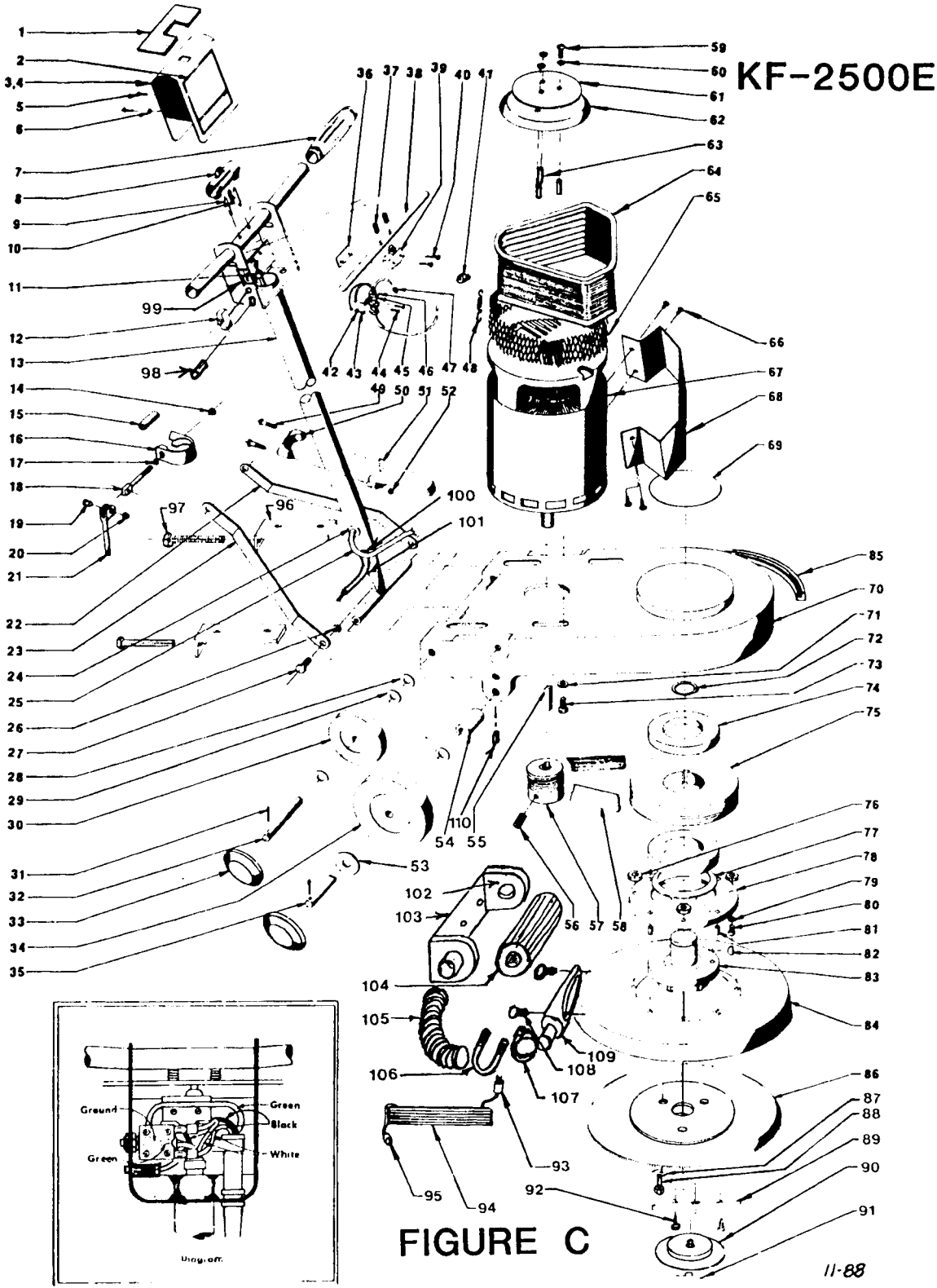


FIGURE B

KF-2500E



| DET | PART NO. | DESCRIPTION | QUANT |
|-----|----------|------------------------------------|-------|
| 1 | 052409 | LABEL, INSTR--CAUTION FLOOR DAM | 1 |
| 2 | 054217 | LABEL, IDENT--3.1X4.0, KF2500E | 1 |
| 3 | 033665 | ASM, COVER--SWITCHBOX, CHROME | 1 |
| 4 | 050871 | LABEL, INSTR--WRN, FLAMMABLE | 1 |
| 5 | 001331 | SCR TPG C PAN HD 10-24X.750L | 2 |
| 6 | 004253 | WSHR LK .204ID.410OD.025T EXT | 2 |
| 7 | 046652 | HANDLE-GRIPS BLUE | 2 |
| 8 | 050588 | SAFETY SWITCH | 1 |
| 9 | 005467 | PIN, ROLL--.125 DIA, 1.750L | 2 |
| 10 | 048785 | SPRING, EXT .250D 2.00L .026WD | 1 |
| 11 | 046647 | CLAMP, LOOP--.500 DIA., STL | 1 |
| 12 | 026699 | CIRCUIT BREAKER 20 AMP | 1 |
| 12 | 026751 | CIRCUIT BREAKER--10AMP | 1 |
| 13 | 033047 | WDMT, HANDLE--FL MACH | 1 |
| 14 | 005279 | NUT, HEX LOCK--.375-16, NYLOC | 1 |
| 15 | 046606 | SPACER, RBR--.325X.656, 2.000L | 1 |
| 16 | 046595 | CLAMP HANDLE LOCK R/S 96762 | 1 |
| 17 | 046607 | WSHR SLTD .227X.656, 1.00OD.073 | 1 |
| 18 | 046597 | CLAMP STUD | 1 |
| 19 | 004314 | RIVET, SLD--.312 DIA, .750L, STL | 1 |
| 20 | 046632 | NUT, PUSH--.312, WASHER CAP, ZN P | 1 |
| 21 | 046596 | CAM-HANDLE LOCK | 1 |
| 22 | 050767 | CONNECTING LEG-LEFT | 1 |
| 23 | 050766 | CONNECTING LEG-RIGHT | 1 |
| 24 | 046651 | GROM--.625 ID, .875 MHD, .062 PA | 1 |
| 25 | 026863 | CABLE, ELEC--14-3, ST, GRAY, 60IN | 1 |
| 26 | 003368 | NUT, HEX LOCK--.375-16, ZN PLT | 2 |
| 27 | 033265 | SCR CAP HEX HD .375-16X1.50L | 2 |
| 28 | 005449 | WSHR SPR TNSN .531ID.880OD.030 | 2 |
| 29 | 004230 | WSHR FLT .515ID.750OD.031T FBR | 8 |
| 30 | 052213 | WHEEL--RS 48058 W/3 HOLES, 5" | 2 |
| 31 | 005383 | PIN, COTTER--.094X1.000 LONG | 4 |
| 32 | 050765 | AXLE-H.S. FL MACH KF205H | 1 |
| 33 | 052204 | CAP, HUB--PLASTIC, 3.68OD, 3.25BC | 4 |
| 34 | 052218 | WHEEL--RS 50776 W/3 HOLES, 6IN | 2 |
| 35 | 052388 | AXLE--H.S.F.M..50DIA X 17.50L | 1 |
| 36 | 046653 | INSUL PAPER | 1 |
| 37 | 046648 | SPRING, COMP .344D .687L .032WD | 2 |
| 38 | 050011 | TRIGGER-FL MACH SWITCHBOX | 1 |
| 39 | 026412 | SWITCH-PUSH--SPDT, 21A, 120-240V | 1 |
| 40 | 001312 | SCR TPG C RD HD 6-32X1.00L | 2 |
| 41 | 026672 | CONN, PLUG--3-WR, 15A, 125V, TWIST | 1 |
| 42 | 005347 | WSHR FLT .188ID.438OD.065T BRS | 1 |
| 43 | 001255 | SCR MACH RD HD 8-32X.375L | 1 |
| 44 | 005316 | SCR TPG F PAN HD 10-24X.375L | 3 |
| 45 | 046642 | CLAMP-MOULDED STRAIN RELIEF | 1 |
| 46 | 025071 | CABLE, ELEC--14-3, ST, GRAY, 15IN | 1 |
| 47 | 026400 | NUT, WIRE--IDEAL 74B | 1 |
| 48 | E45503 | SPRING, EXT .257D 1.25L .035WD | 1 |
| 49 | 003252 | SCR CAP HEX HD .312-18X2.00L | 2 |
| 50 | 048572 | CORD HOOK-CAP R/S 97346 | 1 |
| 51 | 048571 | CORD HOOK R/S 97345 | 1 |
| 52 | 003349 | NUT, HEX--.312-18, ZN PLT | 2 |
| 53 | 004475 | WSHR FLT .500ID1.87OD.105T STL | 2 |
| 54 | 052387 | SPACER, STL--.506X.750, 1.500L, Z | 2 |
| 55 | 040673 | KEY, SQUARE--.187 SQ, 1.000 LONG | 1 |
| 56 | 005387 | SCR SET CUP PT .312-18X.500L | 2 |
| 57 | 053115 | PULLEY, GRVD--10GRV, 3.0 PD | 1 |
| 58 | 050778 | BELT 340J10 KF205H | 1 |
| 59 | 001368 | SCR MACH PAN HD 10-32X1.00L | 3 |
| 60 | 004253 | WSHR LK .204ID.410OD.025T EXT | 3 |
| 61 | 050060 | LABEL, IDENT--INDL FL, 6.50 CIR | 1 |
| 62 | 050013 | DRIP COVER-MOTOR | 1 |
| 63 | 051022 | SPACER, PHEN--.250X.500, .781L | 3 |

| DET | PART NO. | DESCRIPTION | QUANT |
|-----|----------|-------------------------------------|-------|
| 64 | 050903 | COVER-MOTOR | 1 |
| 65 | 052392 | SCREEN, ALUM--CVR, MOTOR INLET | 1 |
| 66 | 001345 | SCR TPG F PAN HD 10-24X.250L | 4 |
| 67 | 015683 | PAD, BURNISH--19.0 OD, 3.5 ID, NA | 1 |
| 67 | 024284 | MTR, DC--115/60, 1.5HP, 3000RPM | 1 |
| 67 | 024294 | MTR, DC--230/50, 1.5HP, 3000 RPM | 1 |
| 67 | 027177 | BRG, BALL--.669ID, 1.575OD, 472W | 1 |
| 67 | 027212 | BRG, BALL--.787ID, 1.850OD, 551W | 1 |
| 67 | 038782 | SPRING--CARBON BRUSH, SET OF 4 | 1 |
| 67 | 038783 | ASM, CBN BRUSH&RING--FOR 24284 | 1 |
| 67 | 038784 | RECTIFIER, BRIDGE--FOR 24284 | 2 |
| 67 | 038785 | BRUSH, MTR--FOR 24284, | 1 |
| 67 | 038798 | KIT, BRSH MTR--24284, SET OF 4 | 1 |
| 68 | 052371 | STAND OFF--MOTOR COVER, H-SPEED | 1 |
| 69 | 054216 | LABEL, IDENT--2500RPM, 4.75 CIR | 1 |
| 70 | 050761 | FRAME - H S | 1 |
| 71 | 004214 | WSHR LK .390ID.683OD.094TSPLT | 4 |
| 72 | 004473 | RING, RTNG--EXT. 1.37 SHAFT, 5100 | 1 |
| 73 | 003259 | SCR CAP HEX HD .375-16X.625L | 4 |
| 74 | 027219 | BRG, BALL--1.37ID, 3.149OD, 827W | 2 |
| 75 | 050774 | PULLEY, GRVD--10 GRV, 4.50PD | 1 |
| 76 | 004504 | WSHR FLT., .265ID.750OD.150T STL | 6 |
| 77 | 004474 | WSHR SPR TNSN 2.67ID2.98OD.030 | 1 |
| 78 | 050762 | HOUSING-H.S. | 1 |
| 79 | 002278 | WSHR LK .262ID.489OD.062TSPLT | 7 |
| 80 | 002260 | SCR CAP SOC HD .250-20X1.00L | 4 |
| 81 | 004477 | PIN, DOWEL--.250X1.500 LONG | 2 |
| 82 | 050775 | KEY, WOODRUFF--#608, 1.00D, .187W | 1 |
| 83 | 033769 | WDMT, PLATE/SHAFT--DRIVE | 1 |
| 84 | 052372 | COVER, BRUSH--19.25", KF2000E | 1 |
| 85 | 052393 | CHAN, RUBBER--CUT LENGTH 35" LG | 1 |
| 86 | 020353 | HOLDER, PAD--18.00", PLASTIC | 1 |
| 87 | 002278 | WSHR LK .262ID.489OD.062TSPLT | 3 |
| 88 | 003224 | SCR CAP HEX HD .375-16X.750L | 3 |
| 89 | 052736 | BAR, STL--.187X1.25X 6.12 LONG | 1 |
| 90 | 033864 | ASM, CLAMPING PLATE--KF-2000B | 1 |
| 90 | 052373 | CLAMPING PLATE--H.S. PAD HOLDER | 1 |
| 91 | 033816 | WDMT, PAD RETAINER -KB-2000B | 1 |
| 92 | 002382 | SCR TPG F PAN HD 10-B X.500L | 2 |
| 93 | 026675 | CONN, PLUG--3-WR, 15A, 125V, HOSPI | 1 |
| 94 | 025526 | CORD, POWER--14-3, ST, GRAY, EXT SN | 1 |
| 94 | 025527 | CORD, POWER--14-3, ST, GRAY, 75' | 1 |
| 94 | 025720 | CORD, POWER--12-2, SJO, GRAY, 75' | 1 |
| 95 | 026676 | CONN, RCPT--3-WR, 15A, 125V, TWIST | 1 |
| 96 | 050941 | BRACKET-BELT ADJUSTMENT | 2 |
| 97 | 005558 | SCR CAP HEX HD .250-20X5.50L | 2 |
| 98 | 026476 | INDICATOR LIGHT-RED | 1 |
| 98 | 026524 | INDICATOR LIGHT | 1 |
| 99 | 053545 | LABEL, INSTR--WHEN LIT, CHANGE | 1 |
| 100 | 047365 | GROM--.375 ID, .500 MHD, .250 PA | 1 |
| 101 | 025752 | CABLE, ELEC--20-2, SJT, GREY, 60"L | 1 |
| 102 | 054219 | PAD, FOAM--4.0X4 5X.50 | 2 |
| 103 | 054218 | BRACKET, FILTER--4.0X4 5X6.0 SS | 1 |
| 104 | 054240 | FILTER--4.25DIA X5.25L | 1 |
| 105 | 054220 | HOSE--1.5DIA, 26.0L, BLUE | 1 |
| 106 | 003363 | NUT, HEX LOCK--.250-20, ZN PLT | 2 |
| 106 | 054221 | CLAMP, HOSE--1.75DIA, 50W, AL | 1 |
| 107 | 046688 | CLAMP, HOSE--1.75 MAX DIA, WORM | 2 |
| 108 | 001462 | SCR MACH RD HD 10-24X.625L | 2 |
| 108 | 005480 | NUT, HEX LOCK-- 10-24, NYLOC | 2 |
| 109 | 054222 | NOZZLE--1.5DIA, 6.0L, ABS | 1 |
| 110 | 223228 | SCR SET CUP PT .250-20X.500L | 2 |

FIG C

67 038904
67 038910

| DET | PART NO. | DESCRIPTION | QUANT |
|-----|----------|--------------------------------|-------|
| 1 | 033711 | ASM,KNOB--LOAD ADJ,KF-2000E | 1 |
| 2 | 005266 | SCR MACH FLAT HD .250-20X1.37L | 5 |
| 3 | 052165 | COVER,BRUSH--MACHINED,KF2000E | 1 |
| 4 | 054225 | EXTRUSION,VINYL--BLK,KF2500E | 1 |
| 5 | 033704 | WDMT,AXLE BRKT--H-SPEED,CASTER | 1 |
| 6 | 052163 | BAR,STL--.625X1.000X1.62 LG | 1 |
| 7 | 052377 | SPACER,EXTRUSION--VINYL,BLACK | 1 |
| 8 | 002252 | SCR MACH FLAT HD .250-20X.750L | 2 |
| 9 | 002278 | WSHR LK .262ID.489OD.062TSPLT | 2 |
| 10 | 052168 | AXLE,STL--.375DIA X 18.71LG | 1 |
| 11 | 004296 | PIN,COTTER--.094X .500 LONG | 6 |
| 12 | 004223 | WSHR FLT .406ID.625OD.036T STL | 6 |
| 13 | 052764 | PLATE,STL--1.00X1.344X16G | 2 |
| 14 | 050955 | GROM--.437 ID,.687 MHD,.250 PA | 2 |
| 15 | 049261 | WHEEL--3.00DIA,.380BORE,.875HB | 2 |
| 16 | 002243 | SCR CAP HEX HD .250-20X.625L | 2 |
| 17 | 054224 | GUARD,STRIP--FORMED,16GA,SS | 1 |
| 18 | 005266 | SCR MACH FLAT HD .250-20X1.37L | 2 |
| 19 | 004309 | WSHR FLT .156ID.375OD.065T STL | 2 |
| 20 | 001259 | SCR MACH RD HD 8-32X.500L | 2 |
| 21 | 003276 | NUT,HEX-- 8-32,ZN PLT | 2 |
| 22 | 004252 | WSHR LK .176ID.381OD.023T EXT | 2 |
| 23 | 005314 | | |

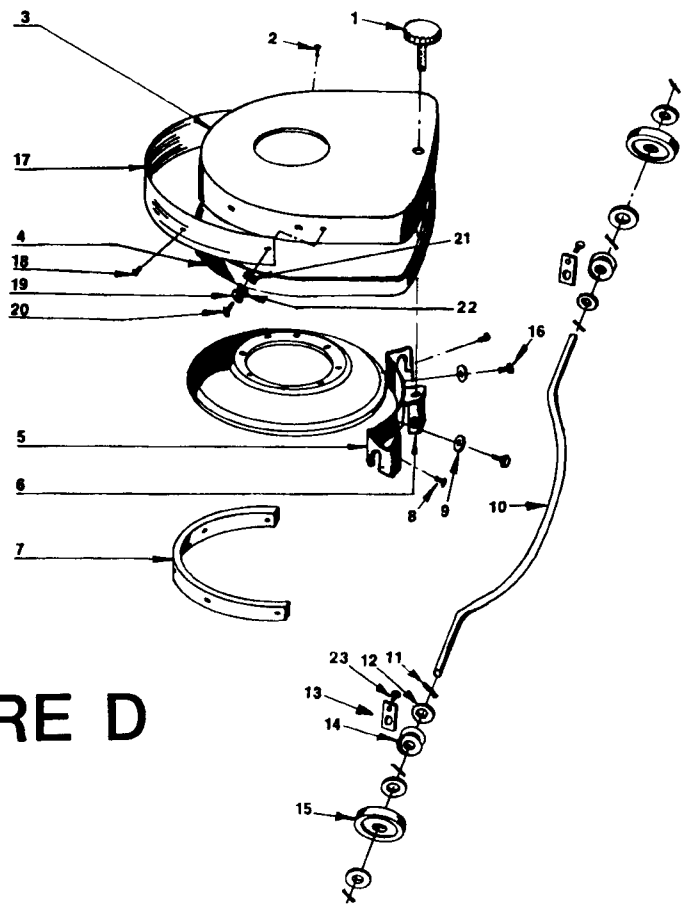


FIGURE D

| DET | PART NO. | DESCRIPTION | QUANT |
|-----|----------|--------------------------------|-------|
| 1 | 026693 | LIGHT,INDICATOR--RED,125V | 1 |
| 2 | 026861 | LIGHT,INDICATOR--GREEN,115V | 1 |
| 3 | 026683 | NUT,WIRE--IDEAL 72B | 3 |
| 4 | 026464 | NUT,WIRE--IDEAL 73B | 5 |
| 5 | 052180 | COVER,CAPACITORS--PLSTC,WHITE | 1 |
| 5 | 055341 | w/o holes | 1 |
| 6 | 026860 | WIRE--RS 98028, 9.00L, .50&.50 | 1 |
| 7 | 052401 | ASM,BOARD,P.C.--LOAD IND,14AMP | 1 |
| 7 | 053315 | ASM,BOARD,PC--LOAD IND,230V,9A | 1 |
| 8 | 026859 | WIRE--RS 98369, 9.00L, .50&.38 | 1 |
| 9 | 052376 | ASM,BOARD,P.C.--LOAD INDICATOR | 1 |
| 9 | 053314 | ASM,BOARD,PC--LOAD IND,230V,6A | 1 |
| 10 | 026863 | CABLE,ELEC--14-3,ST,GRAY,60IN | 1 |
| 11 | 003278 | NUT,HEX-- 10-32,ZN PLT | 1 |
| 12 | 004253 | WSHR LK .204ID.410OD.025T EXT | 3 |
| 13 | 001273 | SCR MACH RD HD 10-32X.500L | 1 |

7 039543 New Gage Kit
7 027125 Ampmeter

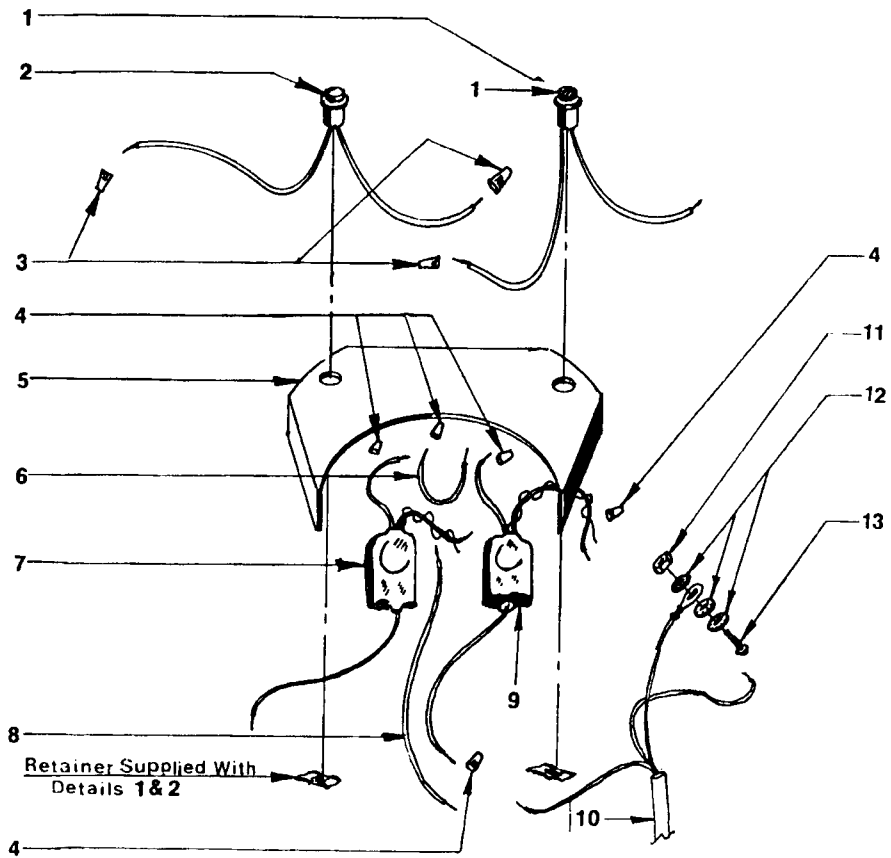
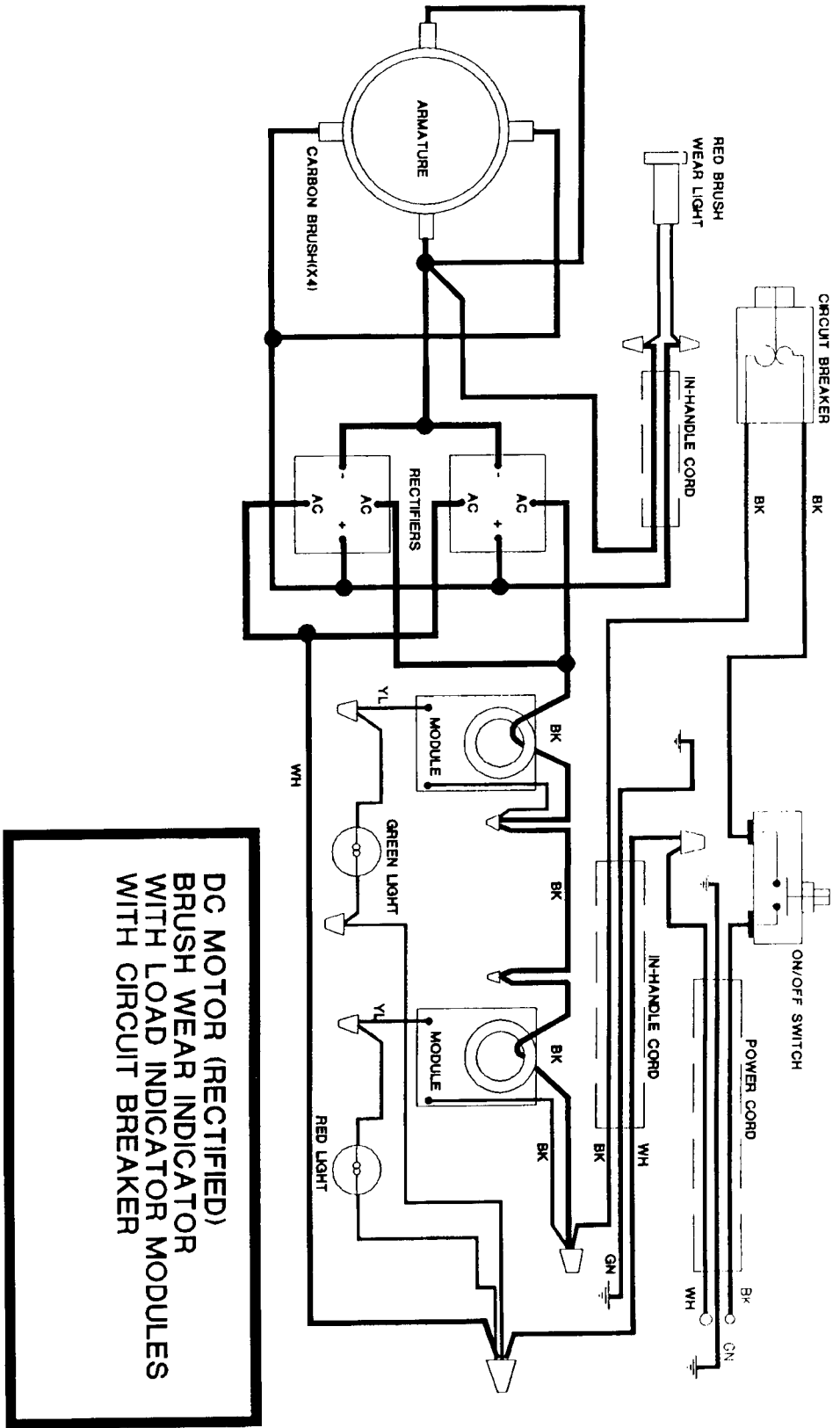


FIGURE E
KF-2000E & KF-2500E

FLOOR MACHINE WIRING DIAGRAM



**DC MOTOR (RECTIFIED)
BRUSH WEAR INDICATOR
WITH LOAD INDICATOR MODULES
WITH CIRCUIT BREAKER**

THE KENT LIMITED WARRANTY

Your Kent equipment which has been manufactured, tested, and inspected in accordance with carefully specified engineering requirements, is warranted to be free from defects in material and workmanship. This warranty is, however, subject to the following qualifications, conditions, and limitations which are set forth to provide you and all users of the equipment with information concerning the duration, extent, availability, and applicability of the Kent limited warranty, the procedure to be taken to obtain it's performance, and other information concerning the Kent warranty policy.

The Kent Limited Warranty is extended to the original end user as follows

All Kent cord electric machines with the exception of upright and two motor vacuums have a three year warranty on parts, and one year labor coverage. Upright and two motor vacuums have a one year parts and labor warranty. Motor and gear unit assemblies on 175 RPM Floor Machines carry a warranty of five years.

Poly components carry a ten year replacement warranty with one year service labor. This warranty will not cover damage attributable to the following:

- : Improper, unreasonable or negligent use or abuse of the equipment.
- : Use of the equipment with hot water (over 130 deg. F , 54 deg. C).
- : "Warpage", "Creepage", or "Distortion" of the part so long as the same does not interfere with normal operation.
- : Abrasions or punctures of the equipment.

The start date of the warranty coverage shall be the date the machine was shipped from the factory, or with proof of purchase, the purchase date of the original end user. The start date of the warranty shall not exceed two years from the date that the unit leaves the factory.

Parts of Kent Equipment not covered by the Kent Limited Warranty

Certain parts of Kent Equipment require replacement in the ordinary course of use due to normal wear by reason of their characteristics. These are normal wear items such as cords, squeegee blades, belts, gaskets, bumpers, carbon brushes, filters, hoses, bags, etc.

Exceptions and Exclusions from Warranty

This equipment is required to be used on electric current as indicated on the dataplate. Otherwise damage, defects, malfunctions or other failures of the equipment arising from the use on electric current not as indicated are excepted and excluded from this warranty. Defects, malfunctions, failure, or damage of the equipment caused by improper, unreasonable or negligent use or abuse of the equipment are likewise excluded from this warranty. If repair is done to the equipment by anyone other than those designated as authorized to perform such work without having obtained factory authorization in writing, the Kent Company at it's sole option, may determine that this warranty will not apply and that reimbursement for such repair will not be made because of the failure to comply with such factory instructions.

Procedure to be taken to obtain performance of warranty repair

To secure repair of the equipment or any warranted parts under this warranty, the following procedure must be taken. The inoperative equipment or warranted parts together with satisfactory evidence of the purchase date, must be delivered, with shipping and delivery charges prepaid, to one of the following:

- : The dealer from whom purchased.
- : Any Kent distributor's service department in the United States.
- : Any Kent authorized service station in the united states.

If you are unable to locate any of the foregoing, you may write or otherwise communicate with The Kent Company for instructions before repair service is performed by anyone else. In such event, The Kent Company will provide either the location of a closely available Kent service department or other factory instructions. In the event that no closely available service department is available, Kent at it's discretion will repair or replace the part or equipment at the factory, the products will be returned to the owner freight prepaid. No warranty will be honored without proof of purchase, the model number, and serial number if applicable.

Replacement

In the event of a defect, malfunction, or failure of your Kent equipment or any warranted part to conform with this warranty, The Kent Company may, at it's sole option and own expense, replace the equipment or any warranted part with another new identical or reasonably equivalent model or part in lieu of repairing the defect.

No refund of purchase price

The Kent Company will not, as a matter of it's warranty policy, refund the customer's purchase price.

Warranty registration

Your Kent Company distributor from whom you purchased your equipment is responsible for the registration of your warranty with the factory. We ask that you cooperate with your distributor in supplying the necessary information on the warranty card so that we may better serve you. Any information or questions that you may have concerning your Kent equipment or this warranty may likewise be secured from the factory. This warranty gives you specific legal rights, and you may also have other rights which vary from state to state.

THE KENT COMPANY

P.O. BOX 1665 - ELKHART, INDIANA 46515