

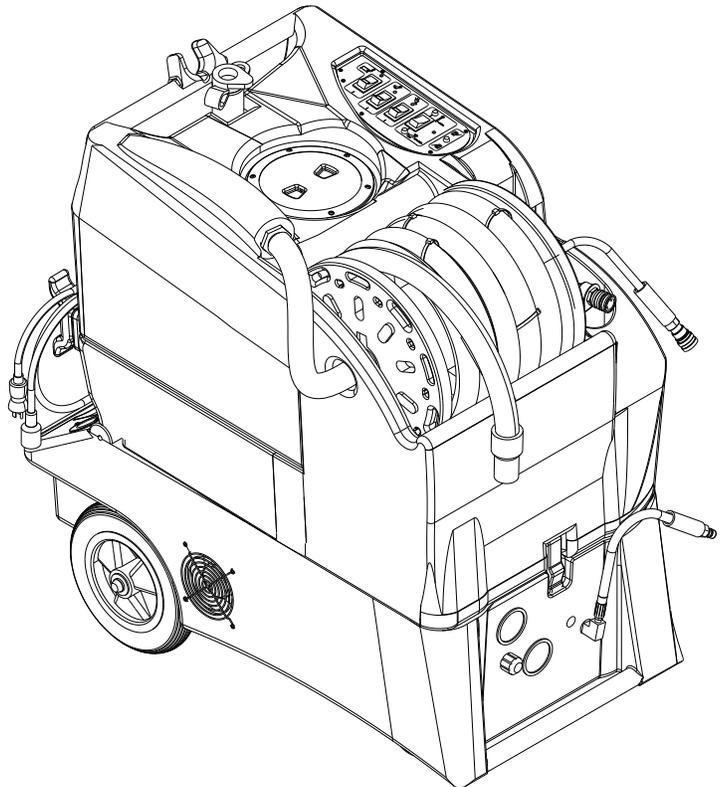


# King Cobra® 1200 Pro

**INFORMATION AND  
OPERATING  
INSTRUCTIONS**

**INFORMACIÓN E  
INSTRUCCIONES DE  
USO**

**INFORMATION ET  
DIRECTIVES  
D'UTILISATION**



**MODELS: 56384896, 56384897**

A- English  
B- Español  
C- Français



**CAUTION: DO NOT OPERATE MACHINE UNTIL YOU HAVE READ  
ALL SECTIONS OF THIS INSTRUCTION MANUAL  
PRECAUCIÓN: NO UTILICE LA MÁQUINA HASTA HABER LEÍDO  
TODAS LAS SECCIONES DE ESTE MANUAL DE INSTRUCCIONES  
ATTENTION : N'UTILISEZ PAS LA MACHINE AVANT D'AVOIR LU  
TOUTES LES SECTIONS DU PRÉSENT MANUEL**



**IMPROPER USE OF THE MACHINE WILL VOID THE WARRANTY  
EL USO INCORRECTO DE LA MÁQUINA ANULARÁ LA GARANTÍA  
UNE UTILISATION INCORRECTE DE LA MACHINE ANNULERA LA GARANTIE**

**TABLE OF CONTENTS**

|                                      | <b>Page</b> |
|--------------------------------------|-------------|
| <b>Introduction</b> .....            | A-3         |
| Parts and Service .....              | A-3         |
| Nameplate .....                      | A-3         |
| Uncrating the Machine.....           | A-3         |
| Important Safety Instructions.....   | A-4         |
| Grounding Instructions .....         | A-5         |
| <b>Know Your Machine</b> .....       | A-6 – A-7   |
| Control Panel.....                   | A-7         |
| <b>Set-Up and Operation</b> .....    | A-10 – A-11 |
| 1200PSI High Pressure Washer.....    | A-8 - A-9   |
| 500PSI and Heat .....                | A-10 - A-11 |
| Auto-Fill .....                      | A-12        |
| Auto-Dump .....                      | A-12        |
| <b>After Use</b>                     |             |
| After Using the Machine .....        | A-13        |
| <b>Maintenance</b>                   |             |
| Maintenance Schedule .....           | A-13        |
| Power Cord Maintenance .....         | A-13        |
| Troubleshooting .....                | A-14        |
| Technical Specifications .....       | A-14        |
| <b>SECTION II – Parts List</b> ..... | D-1 - D-11  |
| Base Assy.....                       | D-2 - D-3   |
| Holding Tank Assy .....              | D-4 - D-5   |
| Vacuum Tank Assy .....               | D-6 - D-7   |
| Plumbing System.....                 | D-8 - D-9   |
| Water Flow Diagram.....              | D-10 - D-11 |

## INTRODUCTION

This manual will help you get the most from your extractor. Read it thoroughly before operating the machine.

**Note: Bold numbers in parentheses indicate an item illustrated on page A-6 unless otherwise noted.**

This product is intended for commercial use only.

## PARTS AND SERVICE

Repairs, when required, should be performed by your Authorized Service Center, who employs factory trained service personnel, and maintains an inventory of original replacement parts and accessories.

Call for repair parts or service. Please specify the Model and Serial Number when discussing your machine.

## MODIFICATIONS

Modifications and additions to the cleaning machine which affect capacity and safe operation shall not be performed by the customer or user without prior written approval from the manufacturer. Unapproved modifications will void the machine warranty and make the customer liable for any resulting accidents.

## NAMEPLATE

The Model and Serial Number of your machine are shown on the Nameplate. This information is needed when ordering repair parts for the machine. Use the space below to note the Model and Serial Number of your machine for future reference.

Model \_\_\_\_\_

Serial Number \_\_\_\_\_

## UNPACKING THE MACHINE

When the machine is delivered, carefully inspect the shipping carton and the machine for damage. If damage is evident, save the shipping carton so that it can be inspected.

## WARNING!

The Products sold with this Manual contain or may contain chemicals that are known to certain governments (such as the State of California, as identified in its Proposition 65 Regulatory Warning Law) to cause cancer, birth defects or other reproductive harm. In certain locations (including the State of California) purchasers of these Products that place them in service at an employment job site or a publicly accessible space are required by regulation to make certain notices, warnings or disclosures regarding the chemicals that are or may be contained in the Products at or about such work sites. It is the purchaser's responsibility to know the content of, and to comply with, any laws and regulations relating to the use of these Products in such environments. The Manufacturer disclaims any responsibility to advise purchasers of any specific requirements that may be applicable to the use of the Products in such environments.

## IMPORTANT SAFETY INSTRUCTIONS:

This machine is only suitable for commercial use, for example in hotels, schools, hospitals, factories, shops and offices other than normal residential housekeeping purposes.

When using any electrical appliance, basic precautions should always be followed, including the following:

**NOTE:** Read all instructions before using this machine.

### **WARNING!**

To reduce the risk of fire, electric shock, or injury:

- Before each use, remove the spray tool from the hose, and check to make sure the spray nozzles are securely tightened to the spray tool. A loose nozzle could fly off during use.
- Never use solvents.
- Do not leave the machine unattended when it is plugged in. Unplug the unit from the outlet when not in use, and before servicing.
- To avoid electric shock, do not expose to rain or snow. Store, and use, indoors.
- Do not allow the machine to be used as a toy. Close attention is necessary when used near children.
- Use only as described in this manual. Use only the manufacturer's recommended attachments.
- Never add water over 130 °F/54 °C to the Holding Tank.
- If the machine is not working as it should, has been dropped, damaged, left outdoors, or dropped into water, return it to a service center.
- Do not pull by the cord, use the cord as a handle, close a door on the cord, or pull the cord around sharp edges or corners. Do not run the machine over the cord. Keep the cord away from heated surfaces. To unplug, grasp the plug, not the cord.
- Do not handle the plug, the cord, or the machine with wet hands.
- Extension cords must be 12/3 and no longer than 50 feet.
- Do not use with a damaged cord or cord end. If the cord or plug becomes damaged have it repaired immediately by an authorized service center.
- Do not put any object into openings. Do not use with any opening blocked; keep free of dust, lint, hair, and anything that may reduce air flow.
- Keep loose clothing, hair, fingers, and all parts of body away from openings and moving parts.
- Do not pick up anything that is burning or smoking, such as cigarettes, matches, or hot ashes, or any health endangering dusts. Do not use the machine to pick up flammable or combustible liquids such as gasoline or use it in areas where they may be present.
- Turn off all controls before unplugging.
- Use extra care when cleaning on stairs.
- Connect to a properly grounded outlet only.
- Liquid ejected at the spray nozzle could be dangerous as a result of its temperature, pressure, or chemical content. Use caution.
- Always read chemical MSDS sheets before use.

**SAVE THESE INSTRUCTIONS**

## 120VAC GROUNDING INSTRUCTIONS

This appliance must be grounded. If it should electrically malfunction, grounding provides a path of least resistance for electric current to reduce the risk of electric shock. This appliance is equipped with a cord having an equipment-grounding conductor and grounding plug. The plug must be plugged into an appropriate outlet that is properly installed and grounded in accordance with all local codes and ordinances.

### **⚠ DANGER!**

Improper connection of the equipment-grounding conductor can result in a risk of electric shock. Check with a qualified electrician or service person if you are in doubt as to whether the outlet is properly grounded. Do not modify the plug provided with the appliance. If it will not fit the outlet, have a proper outlet installed by a qualified electrician.

This appliance is for use on a nominal 120-volt circuit, and has a grounding plug that looks like the plug illustrated in Figure 1 below. A temporary adapter illustrated in Figures 2 and 3 may be used to connect this plug to a 2-pole receptacle as shown in Figure 2 if a properly grounded outlet is not available. The temporary adapter should be used only until a properly grounded outlet (Figure 1) can be installed by a qualified electrician. The green-colored rigid ear, tab, or the like extending from the adapter must be connected to a permanent ground such as a properly grounded outlet box cover. Whenever the adapter is used, it must be held in place by a metal screw. Grounding adapters are not approved for use in Canada.

Replace the plug if the grounding pin is damaged or broken.

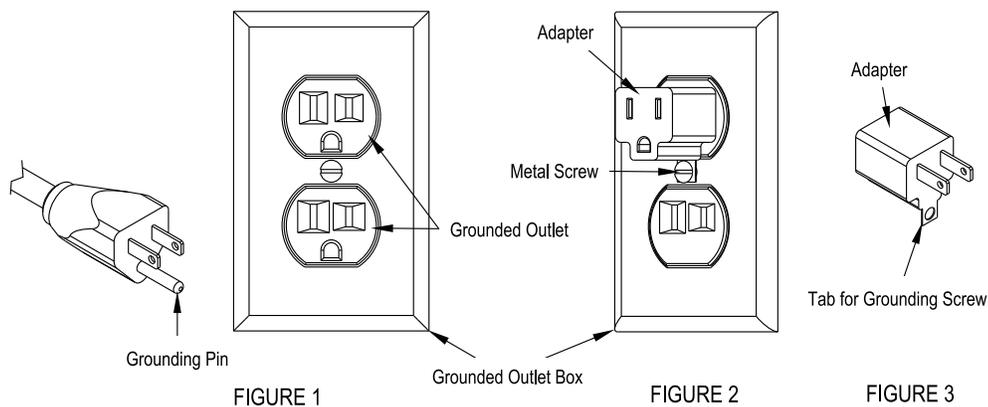
The Green (or Green/Yellow) wire in the cord is the grounding wire. When replacing a plug, this wire must be attached to the grounding pin only.

Extension cords connected to this machine should be 12 gauge, three-wire cords with three-prong plugs and outlets. DO NOT use extension cords more than 50 feet (15 m) long.

### **⚠ WARNING!**

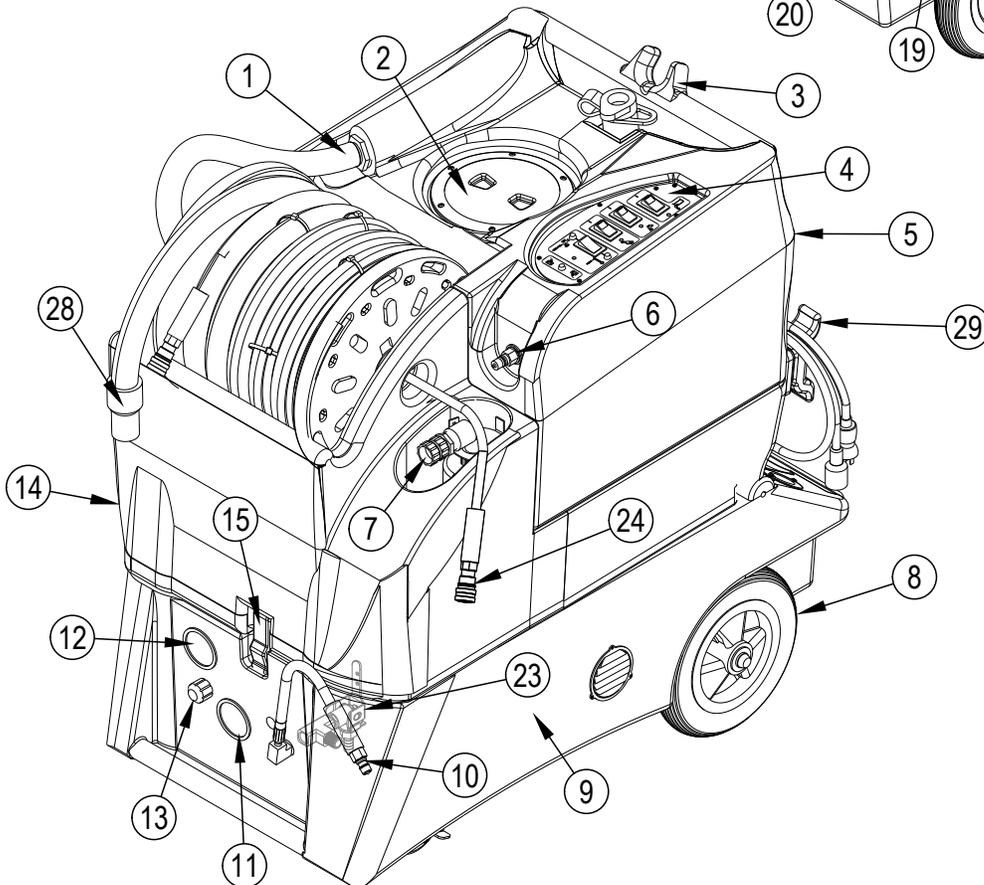
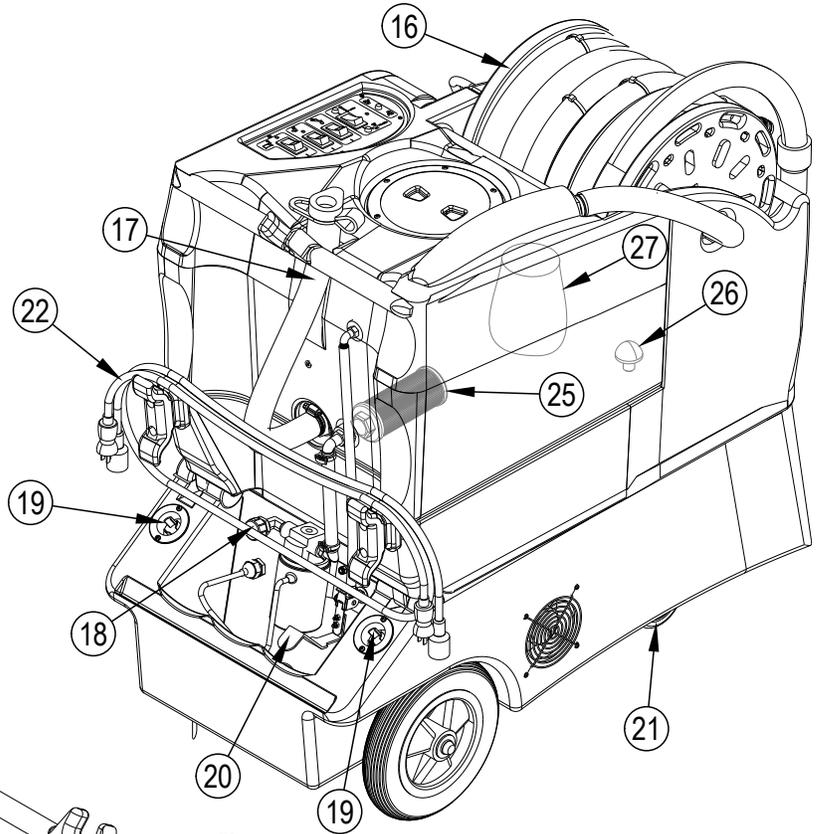
- If an extension cord is used, the plug and socket must be of watertight construction.
- Inadequate extension cords can be dangerous.

PLEASE NOTE: FOR NORTH AMERICA ONLY



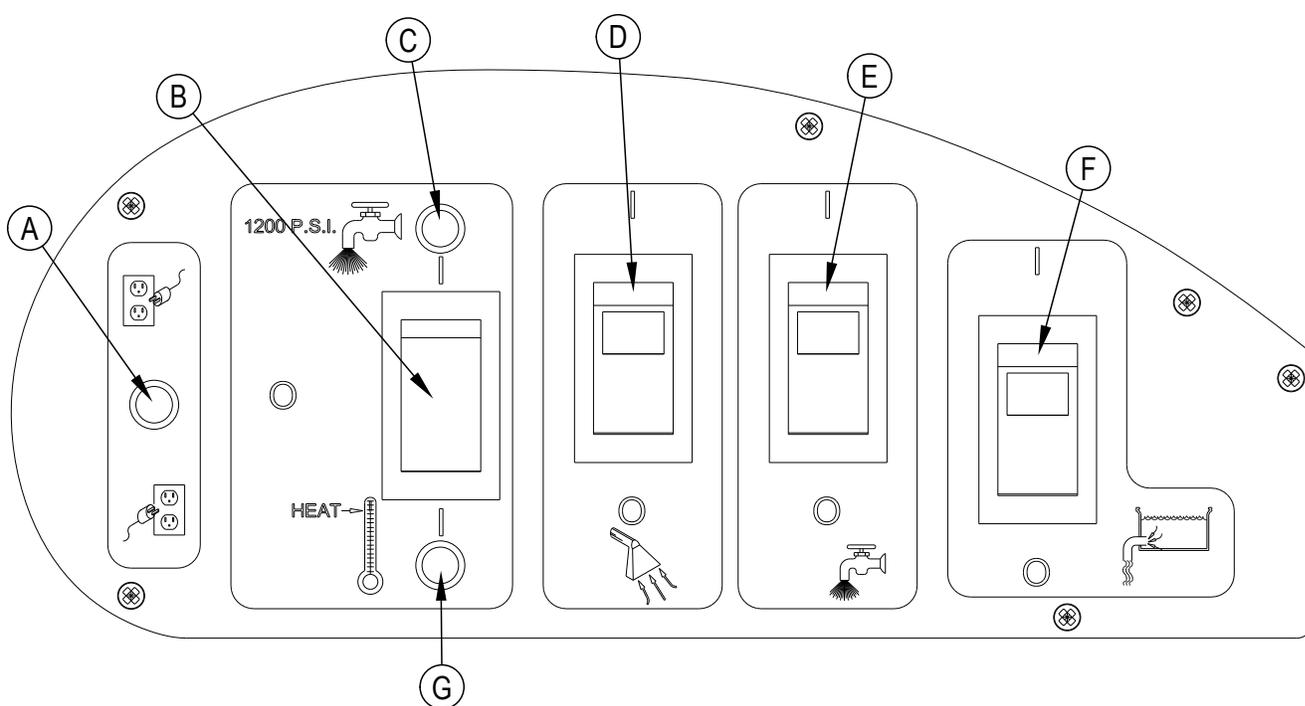
**KNOW YOUR MACHINE**

- 1 Vacuum Hose Connection
- 2 Recovery Tank Lid
- 3 Wand Holder
- 4 Control Panel
- 5 Recovery Tank
- 6 1200PSI Quick Connect
- 7 Auto-Fill Hose Connector
- 8 Rear Wheel
- 9 Base Compartment
- 10 500PSI Quick Connect
- 11 1200PSI Gauge
- 12 500PSI Gauge
- 13 500PSI Pressure Adjust Knob
- 14 Holding Tank
- 15 Tank Latch
- 16 Vacuum Hose Reel
- 17 Recovery Tank Drain Hose
- 18 Dump Hose Connection
- 19 Power Cord Receptacle
- 20 Power Prime Pedal
- 21 Front Castor with Brake
- 22 Power Cords
- 23 Pressure Relief Valve
- 24 Solution Hose
- 25 Dump Pump Inlet Filter
- 26 Pump Inlet Filter
- 27 Pre-Filter Bag
- 28 Vacuum Hose
- 29 Cord Hooks



## CONTROL PANEL

- A Separate Circuit Locator Light:** This green light will turn on when the two power cords are plugged into separate circuits. Try different outlets with one cord until you can get a green light, otherwise a circuit breaker in the wall may trip.
- B High Pressure/Heat Switch:** This selector switch determines whether you will use the 1200 psi pump or the heater. You can select either, but not both at the same time. The heater will only work with the 500 psi pump. The center position is OFF, and neither the 1200 psi pump nor the heater is turned on. CAUTION: do not operate the 1200 psi pump and the 500 psi pump at the same time.
- C 1200PSI Indicator Light:** This light will turn on when the switch is set to the 1200 PSI pump.
- D Vacuum Switch:** This switch turns on the vacuum.
- E 500PSI Pump Switch:** This switch turns on the 500PSI solution pump. CAUTION: do not run both solution pumps at the same time.
- F Dump Pump Switch:** This last switch turns on the automatic pump-out pump. Use this when you want the machine to automatically pump out the recovered solution. CAUTION: do not turn on this pump until you have connected the pump-out hose.
- G Heat Indicator Light:** This light will turn on when you have selected heat instead of the 1200 psi pump.



## SET-UP AND OPERATION

### 1200PSI HIGH PRESSURE WASHER

#### CAUTION!

Use care when handling hazardous chemicals.

Never leave the machine running when you are not actively using it.

Always use a defoamer when foaming occurs to prevent vacuum motor damage.

#### DANGER!

Do NOT use solvents, or any chemicals that may be flammable, explosive or combustible.

#### CLEANING SOLUTIONS:

Select a proper pre-spray for the surface to be cleaned, and apply the pre-spray. Use a neutral pH rinse or detergent (6 to 10 pH) in the King Cobra to prevent premature wear of the pumps, seals, and other components. Damage caused by the use of improper or strong chemicals is not covered by warranty. Powdered chemicals are not recommended.

- 1 Before each use, inspect the machine, hoses, and cleaning tools for cleanliness and completeness. Make sure the hoses are in good condition and the spray nozzle(s) is tight. Be sure the Pre-Filter Bag (27) and the Dump Pump Inlet Filter (25) are installed and are clean.
- 2 When not using the auto-dump feature, make sure the brass cap is screwed tightly on the Dump Hose Connection (18) on the dump pump on the rear of the machine. If you choose to use the auto-dump, connect the dump hose to the Dump Hose Connection (18) on the back of the dump pump, and place the open end of the hose in a drain. Make sure the Recovery Tank Drain Hose (17) is closed, and the Recovery Tank Lid (2) is closed tight.

#### REFER TO THE AUTO-FILL AND AUTO-DUMP INSTRUCTIONS ON THE FOLLOWING PAGES.

- 3 If you choose to use the auto-fill feature, connect the fill hose to the Auto-Fill Hose Connector (7). Turn on the water source, and allow the tank to fill with water. When using the auto-fill system, the auto-fill float will automatically turn on and turn off as the tank empties and then fills. **NOTE:** If you are not going to use the auto-fill system, just fill the tank with water and cleaning chemical. Follow chemical directions regarding dilution and mixing. Do not use harsh chemicals; they may damage seals in pumps and valves, and cause the pump to wear prematurely.

**NOTE:** using warm water in the tank may improve the efficiency of the heat exchanger when cleaning with heat, but never use water with a temperature exceeding 130 °F / 54 °C.

#### REFER TO THE AUTO-FILL AND AUTO-DUMP INSTRUCTIONS ON THE FOLLOWING PAGES.

- 4 Pre-spray the area to be cleaned, with a pump-up sprayer, while the tank is filling. Follow chemical directions.
- 5 Plug in the two power cords (22). Do not connect both cords to the same outlet. The green, 'separate circuit' locator light (A) on the switch plate should light up. If the locator light does not come on, check the circuit breaker box in the wall, and/or try different outlets until it does turn on. Although all systems in the machine may work correctly if you are not on two circuits, a circuit breaker in a wall panel may trip. If you make sure the green light is turned on, you will prevent tripped circuit breakers. Turn on the 1200 PSI pump by placing the HIGH PRESSURE/HEAT Switch (B) in the UP position, to select the 1200 PSI Pump.
 

**NOTE:** This switch is off when it is set to the middle position and neither the 1200PSI pump nor the heater are selected. The heater and the 1200PSI pump cannot operate at the same time.
- 6 Prime the 1200 psi pump using the 'power prime' system. Turn on both the pump (B) and the vacuum (D), cover the Vacuum Hose Connection (1) on the top of the machine with your hand, then depress the Power Prime Pedal (20). This will pull trapped air through the pump and into the recovery tank, priming the pump. You should notice a change in the 'tone' of the pump (smoother, with less rattle), and the water being pulled into the recovery tank will change from a white, sputtering flow to a clear, solid stream. **NOTE:** Priming requires a full Holding Tank (14), and it may take between 20 to 90 seconds. Once the pump has primed, release the Power Prime Pedal (20), and turn both the pump (B) and the vacuum (D) off. Momentarily depress the Power Prime Pedal (20) again after the pump has stopped running to release any built-up back pressure.
- 7 Your machine has two solution outputs. The solution output for the 1200 psi pump is a quick disconnect (6) located just above the fill hole on the Holding Tank, on the front face of the machine (the 500 psi outlet is a quick disconnect (10) on the end of a short length of hose, on the front of the base section of the machine). Attach the Solution Hose (24) from the reel to the 1200PSI Quick Connect (6). Attach the Vacuum Hose (28) on the reel to the Vacuum Hose Connection (1). Pull the hoses out from the reel. Attach the other ends of the hoses to the cleaning tool.
- 8 Turn on the vacuum (D) and turn on the dump pump (F). Begin cleaning.
 

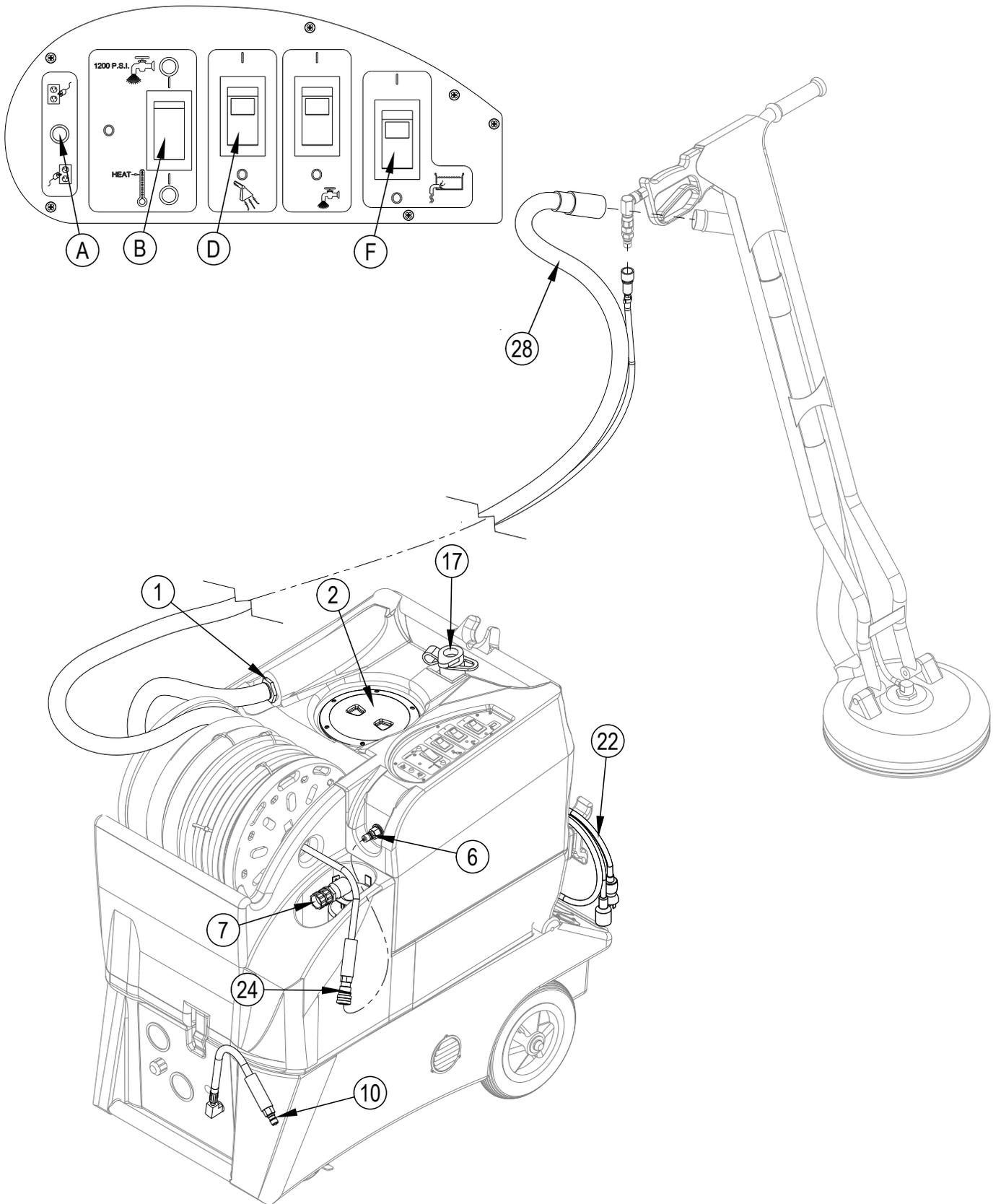
**NOTE:** The dump pump will automatically turn on and turn off as the tank fills and then empties (refer to drawings on following pages).
- 9 When finished with the job, turn off the water source (if using Autofill).

**ELECTRIC CIRCUIT LOCATOR:** This system will inform the operator when the two cords are plugged into separate circuits by turning on the green, circuit locator light (A). This helps to prevent tripping circuit breakers.

**NOTE:** If the green circuit locator light (A) does not illuminate when the cords are plugged in, then both cords are on the same circuit. Try other outlets with one of the cords until you get the locator light to come on.

# SET-UP AND OPERATION

## 1200PSI HIGH PRESSURE WASHER



## SET-UP AND OPERATION

### 500PSI AND HEAT

#### CAUTION!

Use care when handling hazardous chemicals.

Never leave the machine running when you are not actively using it.

Always use a defoamer when foaming occurs to prevent vacuum motor damage.

#### DANGER!

Do NOT use solvents, or any chemicals that may be flammable, explosive or combustible.

### CLEANING SOLUTIONS:

Select a proper pre-spray for the surface to be cleaned, and apply the pre-spray. Use a neutral pH rinse or detergent (6 to 10 pH) in the King Cobra to prevent premature wear of the pumps, seals, and other components. Damage caused by the use of improper or strong chemicals is not covered by warranty. Powdered chemicals are not recommended.

- 1 Before each use, inspect the machine, hoses, and cleaning tools for cleanliness and completeness. Make sure the hoses are in good condition and the spray nozzle(s) is tight. Be sure the Pre-Filter Bag (27) and the Dump Pump Inlet Filter (25) are installed and are clean.
- 2 When not using the auto-dump feature, just make sure the brass cap is screwed tightly on the Dump Hose Connection (18) on the dump pump on the rear of the machine. If you choose to use the auto-dump, connect the dump hose to the Dump Hose Connection (18) on the back of the dump pump, and place the open end of the hose in a drain. Make sure the Recovery Tank Drain Hose (17) is closed, and the Recovery Tank Lid (2) is closed tight.

#### REFER TO THE AUTO-FILL AND AUTO-DUMP INSTRUCTIONS ON THE FOLLOWING PAGES.

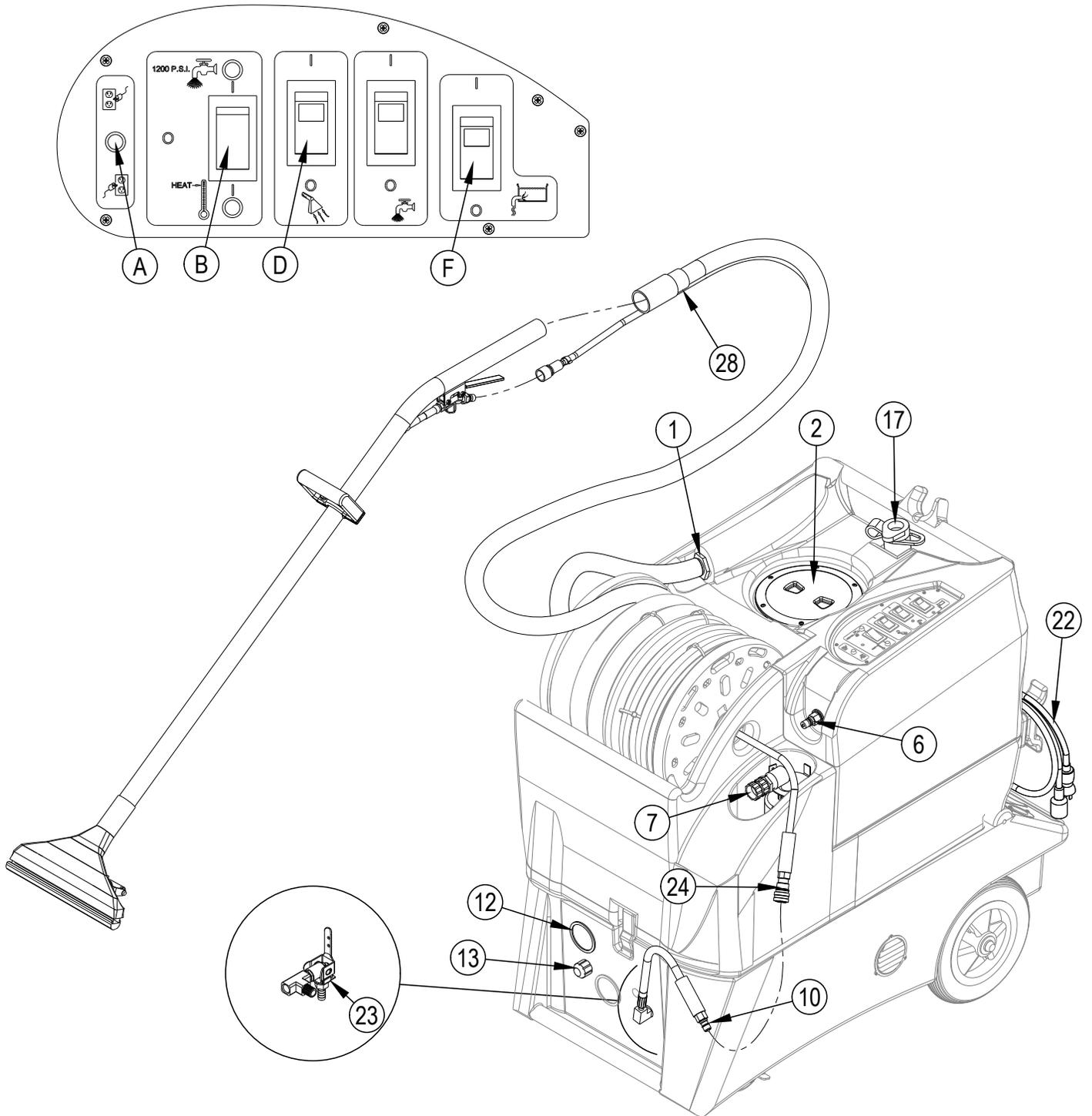
- 3 If you choose to use the auto-fill feature, connect the fill hose to the Auto-Fill Hose Connector (7). Turn on the water source, and allow the tank to fill with water. When using the auto-fill system, the auto-fill float will automatically turn on and turn off as the tank empties and then fills. **NOTE:** If you are not going to use the auto-fill system, just fill the tank with water and cleaning chemical. Follow chemical directions regarding dilution and mixing. Do not use harsh chemicals; they may damage seals in pumps and valves, and cause the pump to wear prematurely.  
**NOTE:** Using warm water in the tank may improve the efficiency of the heat exchanger when cleaning with heat, but never use water with a temperature exceeding 130 °F / 54 °C.
- 4 Pre-spray the area to be cleaned, with a pump-up sprayer, while the tank is filling. Follow chemical directions.
- 5 Plug in the two power cords (22). Do not connect both cords to the same outlet. The green, 'separate circuit' locator light (A) on the switch plate should light up. If the locator light does not come on, check the circuit breaker box in the wall, and/or try different outlets until it does turn on. Although all systems in the machine may work correctly if you are not on two circuits, a circuit breaker in a wall panel may trip. If you make sure the green light is turned on, you will prevent tripped circuit breakers. Select 'HEAT' by placing the HIGH PRESSURE/HEAT Switch (B) in the DOWN position.  
**NOTE:** This switch is off when it is set to the middle position and neither the 1200 PSI pump nor the heater are selected. When set to the bottom position, the heat is selected; the red light will come on and stay on. The heater and the 1200PSI pump cannot operate at the same time.
- 6 Press the lever on the Pressure Relief Valve (23) to make sure there is no back pressure in the system.
- 7 Connect the priming/siphon hose to the 500PSI Quick Connect (10) and turn on the pump (E) and place the open end over the Holding Tank (14). The air should prime out of the pump within 20 - 60 seconds. Watch the water flow into the tank. When the water is clear (no air in it) and is flowing strongly, turn the pump off and remove the priming hose. NEVER remove the priming hose while the pump is still running.
- 8 Connect the Solution Hose (24) from the reel to the 500PSI Quick Connect (10) and connect the Vacuum Hose (28) from the reel to the Vacuum Hose Connection (1). Connect both hoses to the cleaning tool.
- 9 Turn ON the 500PSI pump (E). Set the pump to the desired pressure by adjusting the 500PSI Pressure Adjust Knob (13) while you are spraying and watching the 500PSI Gauge (12). **NOTE:** The gauge will only read pressure while you are spraying.
- 10 Spray for a few seconds to fill the lines with solution. Wait two minutes to allow the heater to reach temperature.
- 11 Turn on the vacuum (D) and turn on the dump pump (F). Begin cleaning. **NOTE:** The dump pump will automatically turn on and turn off as the tank fills and then empties (refer to drawings on following pages). It may take several cycles to heat the lines and the cleaning tool.
- 12 If you are not using the auto-fill and auto-dump features, turn off both the pump (E) and vacuum (D) when the Holding Tank gets low, fill the Holding Tank, and empty and clean the recovery tank.
- 13 When finished with the job, turn off the water source (if using Autofill).

**ELECTRIC CIRCUIT LOCATOR:** This system will inform the operator when the two cords are plugged into separate circuits by turning on the green, circuit locator light (A). This helps to prevent tripping circuit breakers.

**NOTE:** If the green circuit locator light (A) does not illuminate when the cords are plugged in, then both cords are on the same circuit. Try other outlets with one of the cords until you get the locator light to come on.

# SET-UP AND OPERATION

## 500PSI AND HEAT



## AUTO-FILL

### OPERATION:

- Attach a 3/4" garden hose to the Auto-Fill Hose Connector (7), and connect the other end of the hose to your water source.
- Make sure the float that hangs from the auto fill valve into the tank is free of obstruction and can move freely.
- Turn on the water supply. **NOTE:** Do not turn the water pressure on high; just turn the water on.
- The auto-fill float will automatically shut-off the flow of incoming water when the tank is nearly full, and it will allow the valve to open again once the water level has dropped to a predetermined level.

## AUTO-DUMP

### OPERATION:

**Before each use:** Always use a clean pre-filter bag when operating the machine. If necessary, unscrew the stainless steel filter at the bottom of the recovery tank and clean it. Also make sure the ball float in the recovery tank is clean.

- Attach a 3/4" garden hose to the Dump Hose Connection (18) on the dump pump on the back of the base of the machine.
- Run the other end of the hose into a drain.
- Turn ON the dump pump switch (F).
- **NOTE:** The dump pump is 'self-priming.' You should see water start to flow within 30 seconds of the pump turning on. If water does not begin to flow, check the filter to see if it is plugged with debris.

**After each job:** Run clear water through the dump pump to wash out any chemical residue. Remove and clean both the Pre-Filter Bag (27) and the Pump Inlet Filter (26). Reinstall the filter once it is clean. Clean and empty the recovery tank.



## DANGER!

Do NOT use solvents, or any chemicals that may be flammable, explosive or combustible.



## CAUTION!

Always use a defoamer in the recovery tank to prevent water or foam from entering the vacuum motor.



## DANGER!

Always unplug the King Cobra from the electrical outlet(s) before cleaning or maintaining. Certain internal components are electrically live, even with switches in their OFF position.

## AFTER USING THE MACHINE

- 1 To empty the Holding Tank, vacuum out all unused solution into the recovery tank using the vacuum hose. Rinse the tank with clean water.
- 2 Turn all the Power Switches (B, D, E & F) to OFF (O). Unplug the Power Cords (22). Coil the cords around the Cord Hooks (29) on the rear of the machine.
- 3 To empty the recovery tank, loosen the Velcro strap retaining the Recovery Tank Drain Hose (17). Direct the hose to a designated waste water "DISPOSAL SITE" and remove the plug (hold the end of the hose above the water level in the tank to avoid sudden, uncontrolled flow of waste water). Rinse the tank with clean water. Inspect the drain hose; replace if kinked or damaged.
- 4 Disconnect the solution and vacuum hoses from the machine, at the Solution Hose Quick Connect (6 or 10) and Vacuum Hose Connection (1) respectively. Flush the vacuum hose with warm water to wash any debris out of the vacuum hose and cleaning tool. Inspect them for damage. Set the wand on the Wand Retainer Bracket (3).
- 5 Wipe the machine with a damp cloth. Do not use abrasive chemicals or solvents.
- 6 Perform any required maintenance before storage.

## MAINTENANCE SCHEDULE

| MAINTENANCE ITEM                           | Daily | Weekly | Yearly |
|--------------------------------------------|-------|--------|--------|
| Check / Clean Tanks & Hoses                | •     |        |        |
| Check / Clean Recovery Tank Shut-Off Float | •     |        |        |
| Clean Extraction Wand/Tool                 | •     |        |        |
| Inspect & Clean Solution Filters           |       | •      |        |
| Check Carbon Brushes                       |       |        | •      |

## IMPORTANT!

Motor damage resulting from failure to service the carbon brushes is not covered under warranty. See the Limited Warranty Statement.

- 7 Store the machine indoors in a clean, dry place with the recovery tank lid open. Keep from freezing.

## POWER CORD MAINTENANCE

Once a week (or more often if necessary), check the power cords for cracked or damaged insulation, exposed wires in the cord or plug, and damaged or missing ground pin. Repair or replace damaged cord or plug **immediately**.

## MAINTENANCE:

For optimum performance, flush the machine with clear water at the end of each working day. Once a month, minimum, run a flushing compound through the machine to break up any mineral or chemical build-up that may have formed. The vacuum motor, pump motors, and the pumps do not require any scheduled maintenance; however, the motors may require replacement brushes after 1000 - 1500 hours, and the high pressure pumps and unloader valves may require rebuild kits after 500 -1000 hours (refer to machine part list for numbers). Clean the body with an all purpose detergent, and protect it with an automobile interior polish. Lubricate the wheels, castors, and quick disconnects with an all purpose silicone spray.

**TROUBLESHOOTING:**

| <b><u>IF THIS OCCURS</u></b> | <b><u>CHECK THIS</u></b>                                                                                                                                                                                                              |
|------------------------------|---------------------------------------------------------------------------------------------------------------------------------------------------------------------------------------------------------------------------------------|
| NO SPRAY                     | Holding Tank is empty, or filter is plugged.<br>Clogged spray tip(s).<br>Pump not running or not primed.<br>Valve on wand not operating.<br>Solution hose not completely connected to hose or to machine.                             |
| LOW PUMP PRESSURE            | Check to see that the pressure relief valve is fully closed.                                                                                                                                                                          |
| PUMP DOES NOT RUN            | This pump motor runs on AC voltage, so it should start running as soon as you turn on the switch. If the pump motor does not start running, check the wiring to the switch and to the motor. Check the switch to see if it is "open". |
| LOW SUCTION                  | Debris is plugging cleaning tool or vacuum hose.<br>Drain hose cap is not completely closed.<br>Recovery tank lid is not seated or gasket is damaged.                                                                                 |
| NO SUCTION                   | Ball in the float is blocking air flow. Turn off the vacuum so the ball will drop down, or the recovery tank is full and needs to be emptied.<br>No power to motor(s).<br>Test the switches.<br>Test the vacuum motors.               |
| LOW HEAT                     | Spraying too long. Try spraying for 12-15 seconds, or about three strokes.<br>Heat exchanger needs to be flushed.<br>Wrong tool being used. Too much water passing through. Longer hose or larger diameter hose, than standard.       |
| NO HEAT                      | Heat is not turned on. The green circuit indicator light must be on.<br>No power in the wall outlet - check to see if the breaker has tripped.<br>Call your distributor for additional help.                                          |

**TECHNICAL SPECIFICATIONS**

|                  |                                                                                              |
|------------------|----------------------------------------------------------------------------------------------|
| Rotomolded Body: | Lifetime Warranty                                                                            |
| Vacuum:          | 7.2" 3-stage, 140" of water lift                                                             |
| VAC Shutoff:     | Ball Float                                                                                   |
| Pump:            | Positive displacement, fully adjustable 0-500 psi & Positive displacement, 1200 psi, 2.2 gpm |
| Heat:            | 2000 Watts, up to 212 °F                                                                     |
| Capacity:        | 16 gallon Holding Tank; 14 gallon recovery tank                                              |
| Cords:           | Two, detachable 12/3, hospital grade plugs                                                   |
| Size:            | 39" H X 21" W X 36" L                                                                        |
| Auto dump:       | 5 gpm                                                                                        |
| Wheels:          | 10", locking, non-marking                                                                    |
| Hoses:           | 25 ft hoses on a reel (patent pending)                                                       |
| Plus:            | Auto-fill and a Power Prime system for the 1200 psi pump                                     |



## ÍNDICE

|                                               | Página      |
|-----------------------------------------------|-------------|
| <b>Introducción</b> .....                     | B-3         |
| Componentes y servicio .....                  | B-3         |
| Placa de identificación.....                  | B-3         |
| Desembalaje de la máquina.....                | B-3         |
| Instrucciones importantes de seguridad.....   | B-4         |
| Instrucciones de conexión a tierra.....       | B-5         |
| <b>Conozca su máquina</b> .....               | B-6 – B-7   |
| Panel de control.....                         | B-7         |
| <b>Configuración y operación</b> .....        | B-10 – B-11 |
| Limpiadora a alta presión de 1200PSI .....    | B-8 - B-9   |
| 500PSI y calor .....                          | B-10 - B-11 |
| Llenado automático .....                      | B-12        |
| Vaciado automático .....                      | B-12        |
| <b>Después de la utilización</b>              |             |
| Después de la utilización de la máquina ..... | B-13        |
| <b>Mantenimiento</b>                          |             |
| Programa de mantenimiento .....               | B-13        |
| Mantenimiento del cable de alimentación ..... | B-13        |
| Resolución de problemas.....                  | B-14        |
| Especificaciones técnicas.....                | B-14        |
| <b>SECCIÓN II – Lista de piezas</b> .....     | D-1 - D-11  |
| Conjunto de base .....                        | D-2 - D-3   |
| Conjunto del depósito de retención.....       | D-4 - D-5   |
| Conjunto del depósito de aspiración .....     | D-6 - D-7   |
| Sistema de conducciones.....                  | D-8 - D-9   |
| Diagrama del flujo de agua.....               | D-10 - D-11 |

## INTRODUCCIÓN

Este manual lo ayudará a obtener el máximo rendimiento de su extractor. Léalo con atención antes de utilizar la máquina.

**Nota: Los números que aparecen en negrita entre paréntesis indican elementos ilustrados en la página B-6, a menos que se indique lo contrario.**

Este producto está destinado exclusivamente al uso comercial.

## COMPONENTES Y SERVICIO

Las reparaciones, cuando sean necesarias, deben ser realizadas por su Centro Autorizado de Servicio, que utiliza personal de servicio formado en fábrica y lleva un inventario de las piezas de repuesto y accesorios originales.

Llame para lo referente a piezas de repuesto y servicio. Por favor, especifique el modelo y el número de serie cuando hable de su máquina.

## MODIFICACIONES

El cliente o usuario no deberá realizar modificaciones o agregados a la máquina limpiadora que afecten la capacidad y la operación segura sin la autorización previa por escrito del fabricante. Las modificaciones sin autorización anularán la garantía de la máquina, y el cliente será responsable de cualquier accidente que resulte.

## PLACA DE IDENTIFICACIÓN

El modelo y número de serie de la máquina se indican en la placa de identificación. Esta información es necesaria a la hora de solicitar repuestos para la máquina. Utilice el siguiente espacio para anotar el modelo y el número de serie de su máquina para futuras consultas.

Modelo \_\_\_\_\_

Número de serie \_\_\_\_\_

## DESEMBALAJE DE LA MÁQUINA

Cuando reciba la máquina, examine con atención el cartón de embalaje y la máquina, con el fin de comprobar si existe algún daño. Si observa algún daño, guarde la caja de embalaje para que se pueda inspeccionar.

## ¡ADVERTENCIA!

Los Productos a la venta con este Manual contienen, o pueden contener, productos químicos reconocidos por algunos gobiernos (como el Estado de California, según lo indica en su Proposición 65, Ley de Advertencia Regulatoria) como causantes de cáncer, defectos de nacimiento u otros daños reproductivos. En algunas jurisdicciones (incluido el Estado de California), los compradores de estos Productos que los coloquen en servicio en un emplazamiento laboral o en un espacio de acceso público tienen la obligación regulatoria de realizar determinados avisos, advertencias o divulgaciones respecto de los productos químicos contenidos o posiblemente contenidos en los Productos utilizados en tal lugar. Es la responsabilidad del comprador conocer y cumplir con todas las leyes y reglamentaciones relacionadas con el uso de estos Productos en tales entornos. El Fabricante niega toda responsabilidad de informar a los compradores sobre requisitos específicos que pueden regir el uso de los Productos en tales entornos.

## INSTRUCCIONES IMPORTANTES DE SEGURIDAD:

Esta máquina es apta únicamente para su uso comercial, por ejemplo, en hoteles, colegios, hospitales, fábricas, tiendas y oficinas, y no para la limpieza diaria del hogar.

Cuando utilice un aparato eléctrico, se deben respetar las precauciones básicas, incluidas las siguientes:

**NOTA:** lea todas y cada una de las instrucciones antes de utilizar la máquina.

### ¡ADVERTENCIA!

Para reducir el riesgo de incendios, descargas eléctricas o lesiones:

- Antes de cada uso, quite la herramienta de pulverización de la manguera y asegúrese de que las boquillas de pulverización estén bien sujetadas a la herramienta de pulverización. Las boquillas flojas pueden soltarse durante el uso.
- Nunca use disolventes.
- No abandone la máquina mientras esté enchufada. Cuando no la esté utilizando o antes de realizar el servicio, desenchúfela.
- Para evitar descargas eléctricas, no la deje expuesta a la lluvia ni a la nieve. Guárdela y úsela en lugares cubiertos.
- No permita que se utilice como juguete. Es necesario prestar mucha atención si se la usa cerca de niños.
- Utilice sólo de la manera descrita en este manual. Utilice únicamente los accesorios recomendados por el fabricante.
- Nunca agregue al depósito de retención agua a más de 54 °C.
- Si la máquina no funciona correctamente, se ha caído, ha sufrido daños, se ha dejado a la intemperie o ha caído al agua, acuda a un centro de servicio.
- No tire del cable ni lo utilice a modo de asa, evite que el cable quede atrapado al cerrar una puerta y no tire de él contra bordes afilados ni esquinas. No haga pasar la máquina por encima del cable. Mantenga el cable alejado de superficies calientes. Para desenchufar, agarre el enchufe y no el cable.
- No manipule el enchufe, el cable ni la máquina con las manos húmedas.
- Los alargadores deben ser de 12/3 y su longitud no debe superar los 15,24 m.
- No la utilice si observa daños en el cable o el extremo del cable. Si el cable o el enchufe sufren daños, haga que los repare de inmediato un centro de servicio autorizado.
- No coloque ningún objeto en las aberturas. No utilice la máquina si las aberturas están obstruidas; manténgalas libres de polvo, hilos, pelo o cualquier otra sustancia que pueda reducir el caudal de aire.
- Mantenga el cabello, las ropas sueltas, los dedos y todas las partes del cuerpo lejos de las aberturas y de las partes en movimiento.
- No recoja ningún material en combustión o que eche humo, como cigarrillos o cerillas, o cualquier tipo de polvo que representara una amenaza para la salud. No utilice la máquina para recoger líquidos inflamables o combustibles, como gasolina, ni en lugares en los que pueda haber dichos líquidos.
- Apague todos los controles antes de desenchufar.
- Tenga un cuidado especial cuando limpie en escaleras.
- Enchufe sólo a una toma de corriente debidamente conectada a tierra.
- El líquido eyectado por la boquilla de pulverización podría ser peligroso debido a su temperatura, presión o contenido químico. Sea cauto.
- Siempre lea las hojas de información de seguridad de los materiales (MSDS) de las sustancias químicas antes de usarlas.

## GUARDE ESTAS INSTRUCCIONES

## INSTRUCCIONES DE CONEXIÓN A TIERRA 120VCA

Este artefacto debe conectarse a tierra. En caso de que se produzca algún fallo eléctrico, la conexión a tierra ofrece una vía de resistencia menor para la corriente eléctrica, reduciendo el riesgo de descarga eléctrica. Este aparato está equipado con un cable con conductor de conexión a tierra del equipo y enchufe de conexión a tierra. El enchufe debe conectarse a una toma de corriente debidamente instalada y conectada a tierra de acuerdo con todas las normas y ordenanzas locales.

### ⚠ ¡PELIGRO!

La conexión incorrecta del conductor de conexión a tierra del equipo puede suponer un riesgo de descarga eléctrica. Consulte a un electricista cualificado o al personal de servicio en caso de duda acerca de la correcta conexión a tierra de la toma de corriente. No modifique el enchufe suministrado junto con el aparato. En caso de que este enchufe no sirva para la toma de corriente, pida a un electricista cualificado que instale una toma de corriente adecuada.

Este aparato se usa con un circuito de 120 voltios nominales, y tiene un enchufe con toma a tierra tal como se muestra en la Figura 1, a continuación. Se puede usar un adaptador provisorio tal como se ve en las Figuras 2 y 3 en caso de disponerse de un receptáculo sin toma a tierra como en la Figura 2. Dicho adaptador provisorio se usará solamente hasta que un electricista cualificado instale un receptáculo con la toma a tierra correspondiente (Figura 1). La lengüeta de conexión de color verde que sale del adaptador deberá ser conectada a una toma a tierra permanente como, por ejemplo, la caja del receptáculo con toma a tierra. Siempre que se use el adaptador, hay que sostenerlo en su lugar con un tornillo de metal. El uso de adaptadores de conexión a tierra no está aprobado en Canadá.

Sustituya el enchufe si la patilla de tierra está dañada o rota.

El hilo Verde (o Verde/Amarillo) del cordón es el hilo de tierra. Cuando sustituya el enchufe, este hilo sólo debe ir conectado a la patilla de tierra.

Los cables alargadores conectados a esta máquina deben ser del calibre 12, trifilares, con tres patillas y tomas de pared adecuadas. NO utilice cables alargadores de más de 15 m.

### ⚠ ¡ADVERTENCIA!

- Si se utiliza un alargador, el enchufe y la toma de corriente deben ser herméticos.
- Los alargadores inadecuados pueden ser peligrosos.

**ATENCIÓN: PARA AMÉRICA DEL NORTE SOLAMENTE**

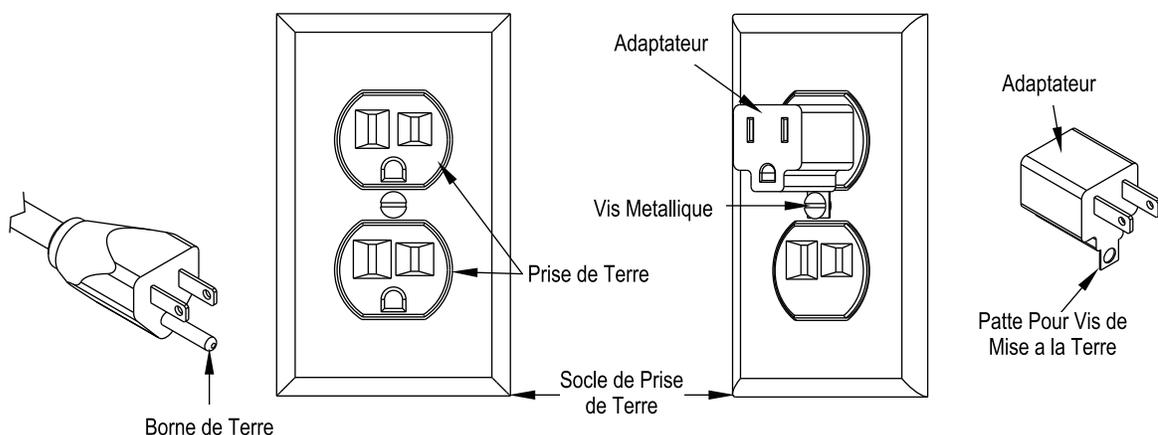


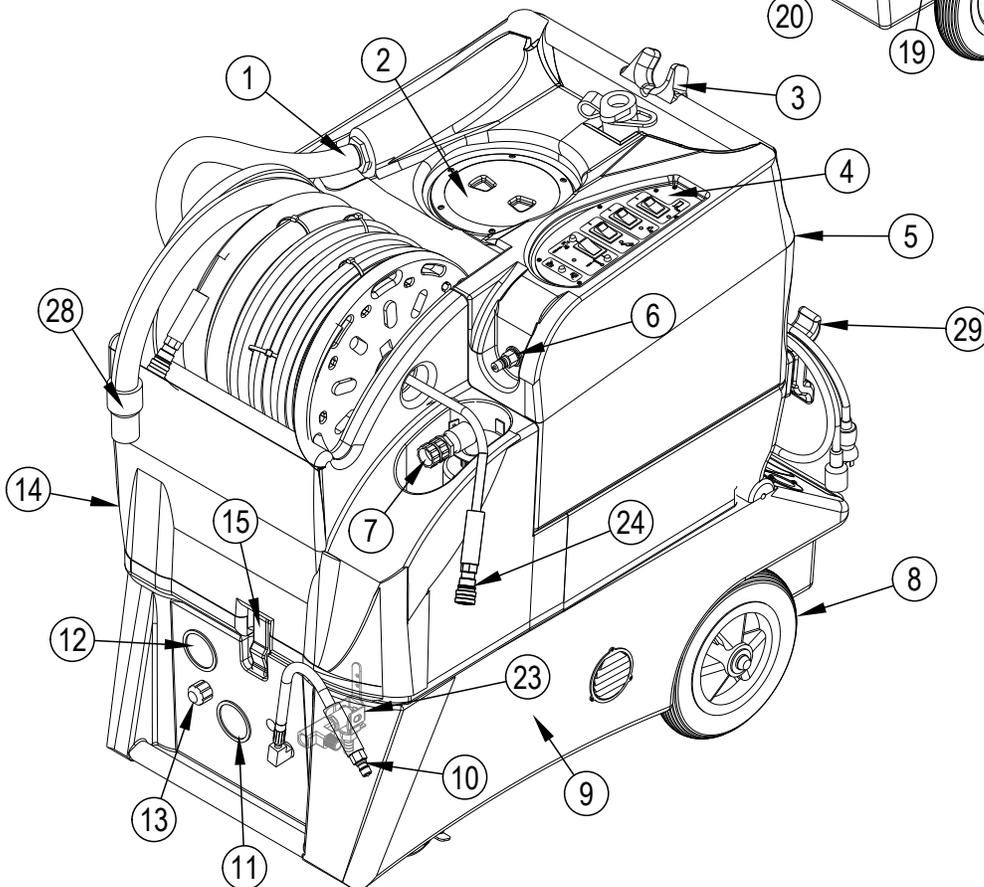
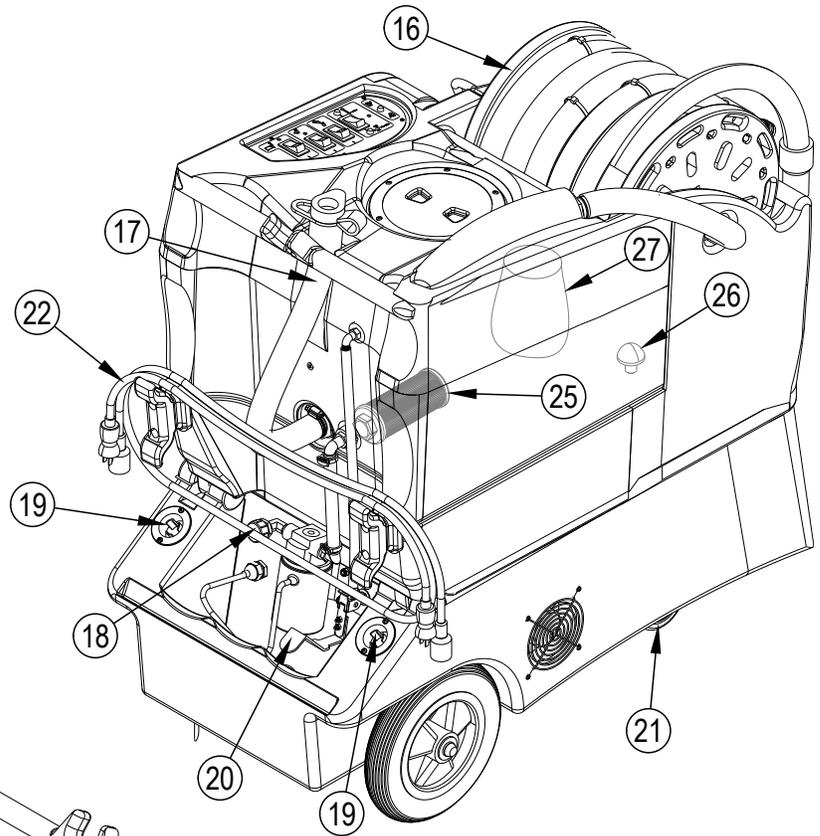
FIGURE 1

FIGURE 2

FIGURE 3

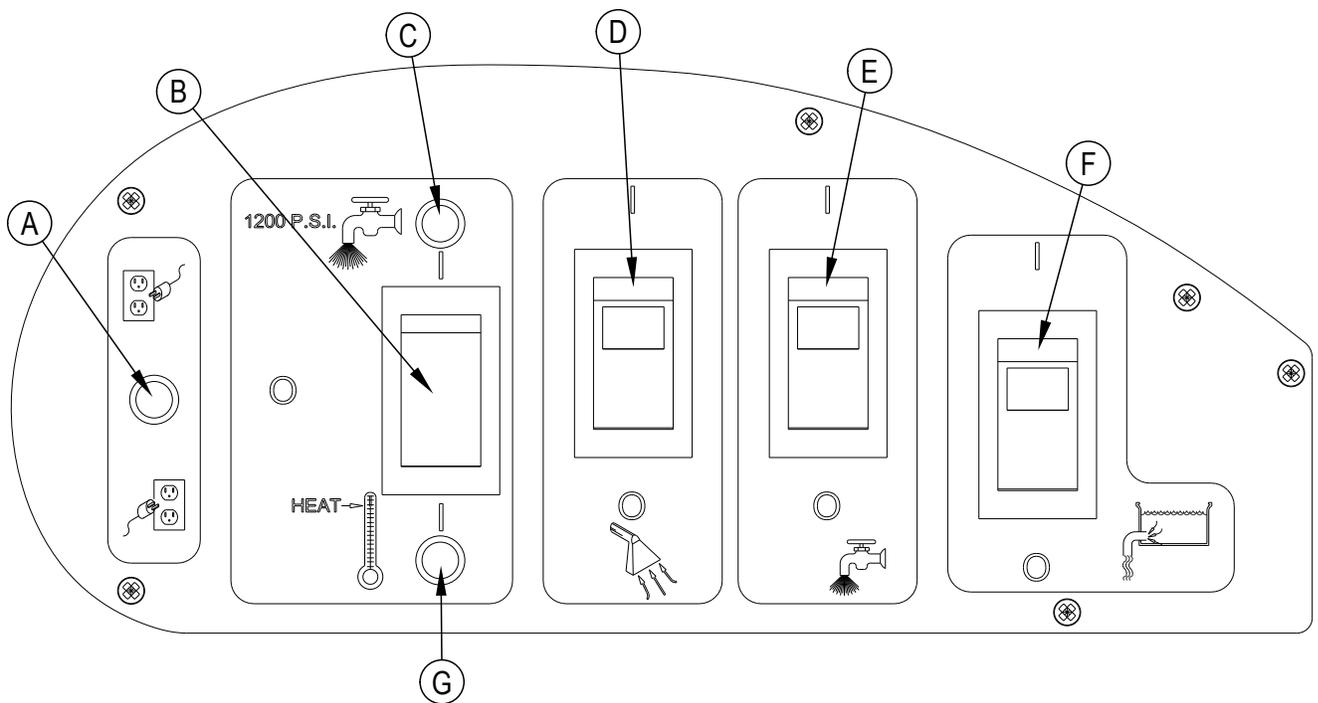
**CONOZCA SU MÁQUINA**

- 1 Conexión del tubo de aspiración
- 2 Tapa del depósito de recuperación
- 3 Soporte de varilla
- 4 Panel de control
- 5 Depósito de recuperación
- 6 Conexión rápida 1200PSI
- 7 Conector del tubo de llenado automático
- 8 Rueda trasera
- 9 Compartimento de base
- 10 Conexión rápida 500PSI
- 11 Indicador 1200PSI
- 12 Indicador 500PSI
- 13 Mando de ajuste de presión 500PSI
- 14 Depósito de retención
- 15 Pestillo del depósito
- 16 Bobina del tubo de aspiración
- 17 Tubo de vaciado del depósito de recuperación
- 18 Conexión del tubo de vaciado
- 19 Receptáculo del cable de alimentación
- 20 Pedal de cebado eléctrico
- 21 Rueda pivotante delantera con freno
- 22 Cables de alimentación
- 23 Válvula de disminución de presión
- 24 Tubo de la solución
- 25 Filtro de entrada de la bomba de vaciado
- 26 Filtro de entrada de la bomba
- 27 Bolsa de prefiltro
- 28 Tubo de aspiración
- 29 Ganchos de sujeción del cable



## PANEL DE CONTROL

- A Luz localizadora de circuito separado:** Esta luz verde se enciende cuando los dos cables de alimentación se enchufan en circuitos separados. Pruebe con distintas tomas hasta obtener la luz verde. De lo contrario, puede saltar un disyuntor en la pared.
- B Interruptor de alta presión/calor:** Este interruptor selector determina si usará la bomba de 1200 psi o el calefactor. Puede seleccionar cualquiera de los dos, pero no ambos al mismo tiempo. El calefactor funciona únicamente con la bomba de 500 psi. La posición central significa apagado, y no está encendida la bomba de 1200 psi ni el calefactor. PRECAUCIÓN: no opere la bomba de 1200 psi y la bomba de 500 psi a la vez.
- C Luz indicadora de 1200 PSI:** Esta luz se enciende cuando el interruptor se configura para la bomba de 1200 PSI.
- D Interruptor de aspiración:** Este interruptor enciende la aspiración.
- E Interruptor de la bomba de 500 PSI:** Este interruptor enciende la bomba de la solución de 500 PSI. PRECAUCIÓN: no opere ambas bombas de la solución a la vez.
- F Interruptor de la bomba de vaciado:** Este último interruptor enciende la bomba de vaciado automático. Utilícelo cuando desee que la máquina vacíe automáticamente la solución recuperada. PRECAUCIÓN: no encienda esta bomba hasta haber conectado el tubo de vaciado.
- G Luz indicadora de calor:** Esta luz se enciende cuando se ha seleccionado calor en lugar de la bomba de 1200 psi.



## CONFIGURACIÓN Y OPERACIÓN

### LIMPIADORA A ALTA PRESIÓN DE 1200PSI

#### ⚠ ¡PRECAUCIÓN!

Tenga cuidado al manipular sustancias químicas peligrosas.

Nunca deje la máquina en funcionamiento si no la está usando de forma activa.

Utilice siempre un desespumante cuando se produzca espuma para evitar daños en el motor de aspiración.

#### ⚠ ¡PELIGRO!

NO use disolventes ni productos químicos que puedan ser inflamables, explosivos o combustibles.

#### SOLUCIONES DE LIMPIEZA:

Seleccione una pulverización previa adecuada para la superficie a limpiar, y aplique la misma. Use un producto de aclarado o detergente neutro (pH de entre 6 y 10) en el King Cobra para evitar un desgaste prematuro de las bombas, las juntas y demás componentes. La garantía no cubre ningún problema provocado por el uso de productos químicos inadecuados o potentes. No se recomiendan productos químicos en polvo.

- 1 Antes de cada uso, inspeccione si la máquina, los tubos y las herramientas de limpieza están limpios y completos. Asegúrese de que los tubos están en buen estado y las boquillas de pulverización están bien ajustadas. Asegúrese de que la bolsa de prefiltro (27) y el filtro de entrada de la bomba de vaciado (25) están instalados y limpios.
- 2 Si no utiliza la función de vaciado automático, asegúrese de que el tapón de latón está bien enroscado en la conexión del tubo de vaciado (18) en la bomba de vaciado en la parte posterior de la máquina. Si decide utilizar la función de vaciado automático, conecte el tubo de vaciado a la conexión del tubo de vaciado (18) en la parte posterior de la bomba de vaciado, y coloque el extremo abierto del tubo en un desagüe. Asegúrese de que el tubo de drenaje del depósito de recuperación (17) está cerrado y la tapa del depósito de recuperación (2) está bien cerrada.

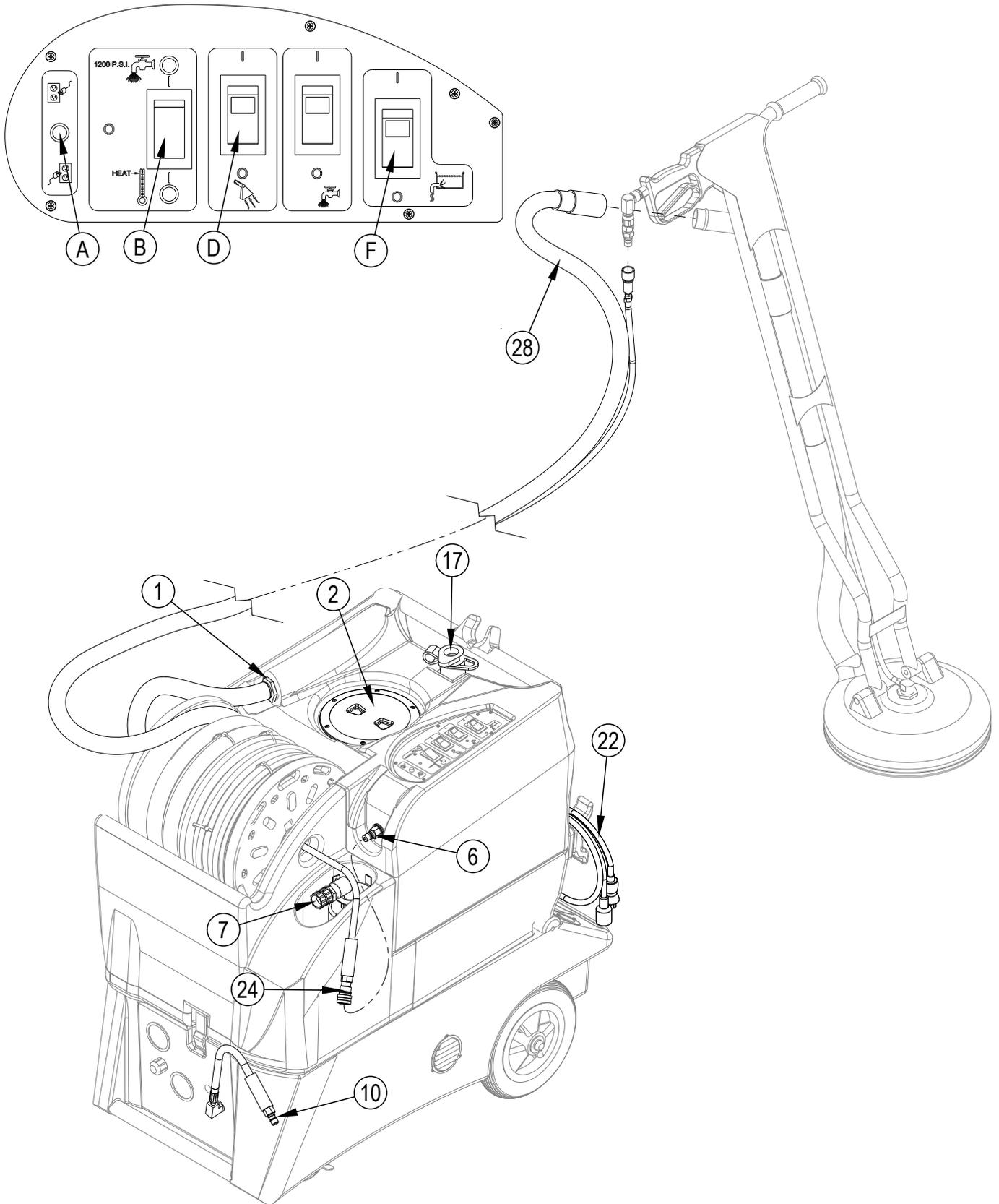
#### CONSULTE LAS INSTRUCCIONES DE LLENADO AUTOMÁTICO Y VACIADO AUTOMÁTICO EN LAS SIGUIENTES PÁGINAS.

- 3 Si opta por usar la función de llenado automático, conecte el tubo de llenado al conector del tubo de llenado automático (7). Encienda la fuente de agua y deje que el depósito se llene con agua. Cuando use el sistema de llenado automático, el flotador de llenado automático se enciende y se apaga automáticamente a medida que el depósito se vacía y luego se llena. **NOTA:** si no va a usar el sistema del llenado automático, simplemente llene el depósito con agua y producto químico de limpieza. Siga las instrucciones de los productos químicos relativas a la mezcla y la disolución. No utilice productos químicos agresivos; pueden dañar las juntas en bombas y válvulas y provocar desgaste prematuro en las bombas. **NOTA:** el uso de agua tibia en el depósito puede resultar beneficioso para la efectividad del intercambiador de calor durante la limpieza, pero nunca utilice agua con una temperatura que supere los 54°C.
- 4 **CONSULTE LAS INSTRUCCIONES DE LLENADO AUTOMÁTICO Y VACIADO AUTOMÁTICO EN LAS SIGUIENTES PÁGINAS.**
- 4 Pulverice previamente el área a limpiar con un pulverizador de bombeo, mientras se llena el depósito. Siga las instrucciones de los productos químicos.
- 5 Enchufe los dos cables de alimentación (22). No conecte ambos cables a la misma toma de corriente. La luz localizadora de circuito separado verde (A) de la placa de interruptores se debería encender. Si la luz localizadora no se enciende, verifique la caja de disyuntores en la pared y/o pruebe con distintas tomas de corriente. Aunque todos los sistemas de la máquina pueden funcionar correctamente si no está usando dos circuitos, puede saltar un disyuntor en un panel de pared. Al asegurarse de que se enciende la luz verde, evitará que salte algún disyuntor. Encienda la bomba de 1200 PSI colocando el interruptor de ALTA PRESIÓN/CALOR (B) en la posición de arriba para seleccionar la bomba de 1200 PSI. **NOTA:** este interruptor está apagado cuando se coloca en la posición media y no se ha seleccionado la bomba de 1200 PSI ni el calefactor. El calefactor y la bomba de 1200 PSI no pueden funcionar a la vez.
- 6 Ceba la bomba de 1200 PSI mediante el sistema de "cebado eléctrico". Encienda la bomba (B) y la aspiración (D), cubra la conexión del tubo de aspiración (1) en la parte superior de la máquina con la mano, luego pise el pedal de cebado eléctrico (20). Con esto se sacará el aire atrapado de la bomba al depósito de recuperación, con lo que se ceba la bomba. Se aprecia un cambio de "tono" en la bomba (más suave, con menos traqueteo), y el agua que se introduce en el depósito de recuperación cambia de un chorro de agua blanco y lleno de aire a un chorro uniforme y transparente. **NOTA:** El cebado requiere que esté lleno el depósito de retención (14) y puede durar de 20 a 90 segundos. Cuando la bomba esté cebada, suelte el pedal de cebado eléctrico (20) y apague la bomba (B) y la aspiración (D). Pise momentáneamente el pedal de cebado eléctrico (20) de nuevo una vez que se haya detenido la bomba, para liberar la contrapresión acumulada.
- 7 Su máquina tiene dos salidas de solución. La salida de solución de la bomba de 1200 psi es una desconexión rápida (6) ubicada justo arriba del orificio de llenado en el depósito de retención, en el lado frontal de la máquina (la salida de 500 psi es una desconexión rápida (10) en el extremo de un tubo corto, al frente de la base de la máquina). Acople el tubo de la solución (24) desde la bobina a la conexión rápida de 1200 PSI (6). Acople el tubo de aspiración (28) de la bobina a la conexión del tubo de aspiración (1). Saque los tubos de la bobina. Acople los otros extremos de los tubos a la herramienta de limpieza.
- 8 Encienda la aspiración (D) y la bomba de vaciado (F). Comience la limpieza. **NOTA:** la bomba de vaciado se enciende y se apaga automáticamente a medida que el depósito se llena y luego se vacía (consulte los dibujos en las siguientes páginas).
- 9 Cuando termine el trabajo, apague la fuente de agua (si utiliza llenado automático).

**LOCALIZADOR DE CIRCUITO ELÉCTRICO:** Este sistema le informa al operador cuando los dos cables están enchufados en circuitos separados, encendiendo la luz localizadora de circuito verde (A). Así se ayuda a evitar que salten los disyuntores.

**NOTA:** si la luz localizadora de circuito verde (A) no se ilumina cuando se enchufan los cables, entonces ambos cables están en el mismo circuito. Intente enchufar uno de los cables en otras tomas hasta lograr que se encienda la luz localizadora.

# CONFIGURACIÓN Y OPERACIÓN LIMPIADORA A ALTA PRESIÓN DE 1200PSI



## CONFIGURACIÓN Y OPERACIÓN 500PSI Y CALOR

### ⚠ ¡PRECAUCIÓN!

Tenga cuidado al manipular sustancias químicas peligrosas.

Nunca deje la máquina en funcionamiento si no la está usando de forma activa.

Utilice siempre un desespumante cuando se produzca espuma para evitar daños en el motor de aspiración.

### ⚠ ¡PELIGRO!

NO use disolventes ni productos químicos que puedan ser inflamables, explosivos o combustibles.

### SOLUCIONES DE LIMPIEZA:

Seleccione una pulverización previa adecuada para la superficie a limpiar, y aplique la misma. Use un producto de aclarado o detergente neutro (pH de entre 6 y 10) en el King Cobra para evitar un desgaste prematuro de las bombas, las juntas y demás componentes. La garantía no cubre ningún problema provocado por el uso de productos químicos inadecuados o potentes. No se recomiendan productos químicos en polvo.

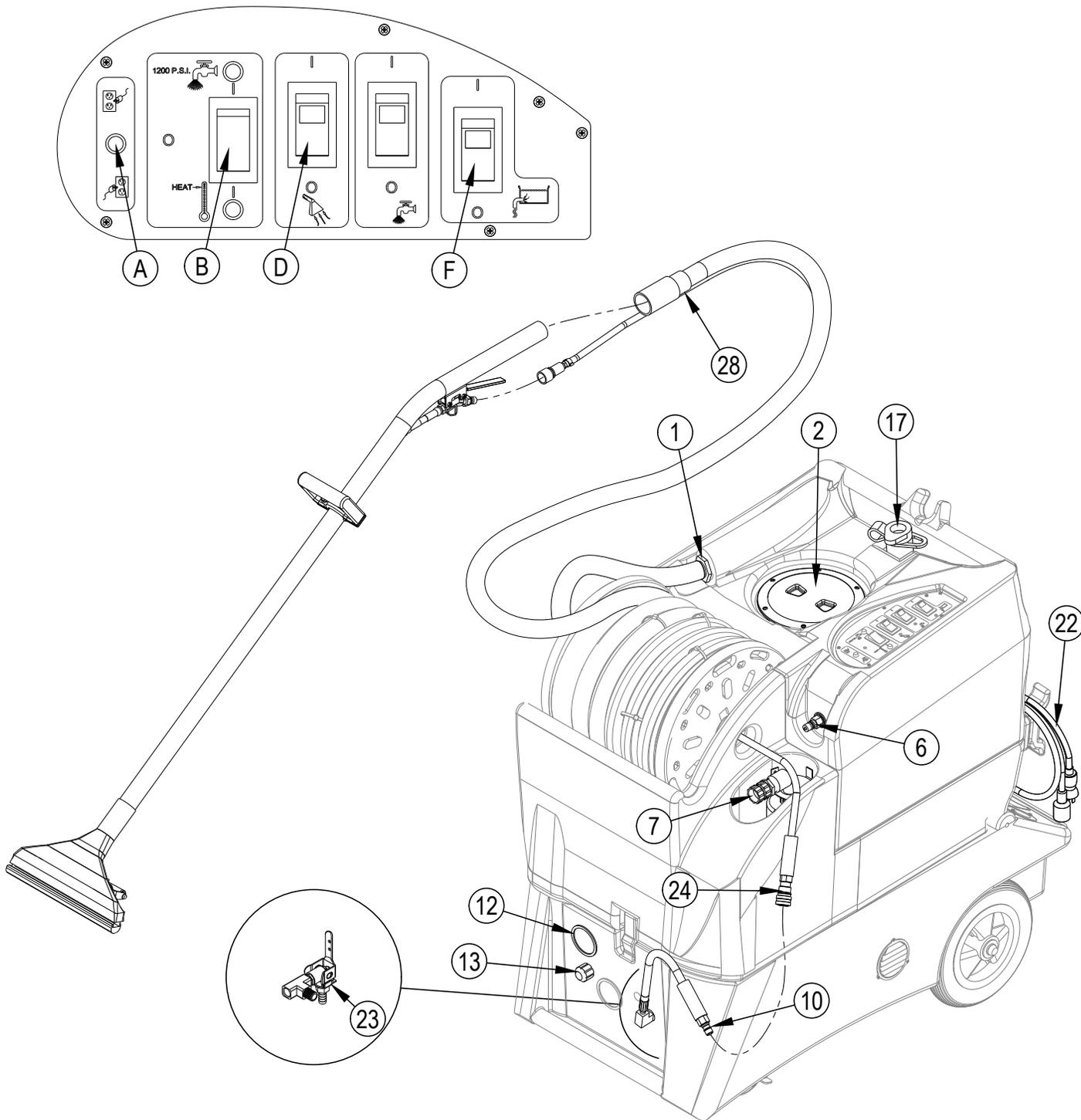
- 1 Antes de cada uso, inspeccione si la máquina, los tubos y las herramientas de limpieza están limpios y completos. Asegúrese de que los tubos están en buen estado y las boquillas de pulverización están bien ajustadas. Asegúrese de que la bolsa de prefiltro (27) y el filtro de entrada de la bomba de vaciado (25) están instalados y limpios.
- 2 Si no utiliza la función de vaciado automático, sólo asegúrese de que el tapón de latón está bien enroscado en la conexión del tubo de vaciado (18) en la bomba de vaciado en la parte posterior de la máquina. Si decide utilizar la función de vaciado automático, conecte el tubo de vaciado a la conexión del tubo de vaciado (18) en la parte posterior de la bomba de vaciado, y coloque el extremo abierto del tubo en un desagüe. Asegúrese de que el tubo de drenaje del depósito de recuperación (17) está cerrado y la tapa del depósito de recuperación (2) está bien cerrada.  
**CONSULTE LAS INSTRUCCIONES DE LLENADO AUTOMÁTICO Y VACIADO AUTOMÁTICO EN LAS SIGUIENTES PÁGINAS.**
- 3 Si opta por usar la función de llenado automático, conecte el tubo de llenado al conector del tubo de llenado automático (7). Encienda la fuente de agua y deje que el depósito se llene con agua. Cuando use el sistema de llenado automático, el flotador de llenado automático se enciende y se apaga automáticamente a medida que el depósito se vacía y luego se llena. **NOTA:** si no va a usar el sistema del llenado automático, simplemente llene el depósito con agua y producto químico de limpieza. Siga las instrucciones de los productos químicos relativas a la mezcla y la disolución. No utilice productos químicos agresivos; pueden dañar las juntas en bombas y válvulas y provocar desgaste prematuro en las bombas.  
**NOTA:** el uso de agua tibia en el depósito puede resultar beneficioso para la efectividad del intercambiador de calor durante la limpieza, pero nunca utilice agua con una temperatura que supere los 54°C.
- 4 Pulverice previamente el área a limpiar con un pulverizador de bombeo, mientras se llena el depósito. Siga las instrucciones de los productos químicos.
- 5 Enchufe los dos cables de alimentación (22). No conecte ambos cables a la misma toma de corriente. La luz localizadora de circuito separado verde (A) de la placa de interruptores se debería encender. Si la luz localizadora no se enciende, verifique la caja de disyuntores en la pared y/o pruebe con distintas tomas de corriente. Aunque todos los sistemas de la máquina pueden funcionar correctamente si no está usando dos circuitos, puede saltar un disyuntor en un panel de pared. Al asegurarse de que se enciende la luz verde, evitará que salte algún disyuntor. Seleccione CALOR colocando el interruptor de CALOR/ALTA PRESIÓN (B) en la posición de abajo.  
**NOTA:** este interruptor está apagado cuando se coloca en la posición media y no se ha seleccionado la bomba de 1200 PSI ni el calefactor. Cuando se coloca en la posición inferior, se selecciona el calor; la luz roja se enciende y permanece encendida. El calefactor y la bomba de 1200 PSI no pueden funcionar a la vez.
- 6 Presione la palanca en la válvula de disminución de presión (23) para verificar que no haya contrapresión en el sistema.
- 7 Conecte el tubo de cebado/sifón a la conexión rápida 500PSI (10), encienda la bomba (E) y coloque el extremo abierto sobre el depósito de retención (14). El aire debería salir de la bomba en 20 - 60 segundos. Observe cómo fluye el agua dentro del depósito. Cuando el agua esté transparente (sin aire en ella) y fluya regularmente, apague la bomba y retire el tubo de cebado. NUNCA retire el tubo de cebado si la bomba sigue en funcionamiento.
- 8 Conecte el tubo de la solución (24) desde la bobina a la conexión rápida de 500 PSI (10) y conecte el tubo de aspiración (28) desde la bobina a la conexión del tubo de aspiración (1). Conecte ambos tubos a la herramienta de limpieza.
- 9 Encienda la bomba de 500 PSI (E). Configure la bomba en la presión deseada ajustando el mando de ajuste de presión 500PSI (13) mientras pulveriza y observa el indicador 500PSI (12). **NOTA:** El indicador lee la presión solamente mientras pulveriza.
- 10 Pulverice durante unos pocos segundos para llenar las conducciones con solución. Espere dos minutos para que el calefactor alcance la temperatura adecuada.
- 11 Encienda la aspiración (D) y la bomba de vaciado (F). Comience la limpieza. **NOTA:** la bomba de vaciado se enciende y se apaga automáticamente a medida que el depósito se llena y luego se vacía (consulte los dibujos en las siguientes páginas). Calentar las conducciones y la herramienta de limpieza puede requerir algunos ciclos.
- 12 Si no usa las funciones de llenado automático y vaciado automático, apague la bomba (E) y la aspiración (D) cuando el depósito de retención esté bajo, llene dicho depósito, y vacíe y limpie el depósito de recuperación.
- 13 Cuando termine el trabajo, apague la fuente de agua (si utiliza llenado automático).

**LOCALIZADOR DE CIRCUITO ELÉCTRICO:** Este sistema le informa al operador cuando los dos cables están enchufados en circuitos separados, encendiendo la luz localizadora de circuito verde (A). Así se ayuda a evitar que salten los disyuntores.

**NOTA:** si la luz localizadora de circuito verde (A) no se ilumina cuando se enchufan los cables, entonces ambos cables están en el mismo circuito.

Intente enchufar uno de los cables en otras tomas hasta lograr que se encienda la luz localizadora.

# CONFIGURACIÓN Y OPERACIÓN 500PSI Y CALOR



## LLENADO AUTOMÁTICO

### FUNCIONAMIENTO:

- Acople una manguera de jardín de 20 mm al conector del tubo de llenado automático (7) y conecte el otro extremo a su fuente de agua.
- Asegúrese de que el flotador que cuelga desde la válvula de llenado automático hacia el depósito no sufre obstrucciones y puede moverse sin problemas.
- Encienda el suministro de agua. **NOTA:** No encienda el agua a alta presión.
- El flotador de llenado automático apaga el flujo de agua entrante cuando el depósito está casi lleno, y permite que la válvula se abra de nuevo cuando el nivel de agua ha descendido a un nivel predeterminado.

## VACIADO AUTOMÁTICO

### FUNCIONAMIENTO:

**Antes de cada uso:** Siempre use una bolsa de prefiltro limpia cuando opere la máquina. Si es necesario, desatornille el filtro de acero inoxidable de la parte inferior del depósito de recuperación y límpielo. Asimismo, asegúrese de que el flotador de bola en el depósito de recuperación está limpio.

- Acople una manguera de jardín de 20 mm a la conexión del tubo de vaciado (18) en la bomba de vaciado en la parte posterior de la base de la máquina.
- Coloque el otro extremo del tubo en un desagüe.
- Encienda el interruptor de la bomba de vaciado (F).
- **NOTA:** la bomba de vaciado tiene autocebado. Debería ver que el agua empieza a fluir a los 30 segundos de encender la bomba. Si el agua no empieza a fluir, verifique el filtro para ver si está obstruido con residuos.

**Después de cada trabajo:** haga correr agua limpia a través de la bomba de vaciado para limpiar cualquier residuo de producto químico. Retire y limpie la bolsa de prefiltro (27) y el filtro de entrada de la bomba (26). Vuelva a instalar el filtro cuando esté limpio. Vacíe y limpie el depósito de recuperación.



### ¡PELIGRO!

NO use disolventes ni productos químicos que puedan ser inflamables, explosivos o combustibles.



### ¡PRECAUCIÓN!

Use siempre un desespumante en el depósito de recuperación para evitar que se introduzca agua o espuma en el motor de aspiración.



### ¡PELIGRO!

Desenchufe siempre el King Cobra de las tomas de corriente eléctrica antes de su limpieza o mantenimiento. Algunos componentes internos están eléctricamente activos, incluso con los interruptores en la posición de apagado.

## DESPUÉS DE LA UTILIZACIÓN DE LA MÁQUINA

- 1 Para vaciar el depósito de retención, aspire toda la solución sin usar hacia el depósito de recuperación con el tubo de aspiración. Enjuague el depósito con agua limpia.
- 2 Apague todos los interruptores de corriente (**B, D, E y F**) (O). Desenchufe los cables de alimentación (**22**). Enrolle los cables alrededor de los ganchos de sujeción del cable (**29**) en la parte trasera de la máquina.
- 3 Para vaciar el depósito de recuperación, afloje la correa con velcro que sostiene el tubo de drenaje del depósito de recuperación (**17**). Dirija el tubo al lugar establecido para la eliminación de aguas residuales y retire el tapón (sostenga el extremo del tubo por encima del nivel de agua para evitar el flujo súbito e incontrolado de agua residual). Enjuague el depósito con agua limpia. Inspeccione el tubo de drenaje y sustitúyalo si está torcido o dañado.
- 4 Desconecte los tubos de solución y aspiración de la máquina, en la conexión rápida del tubo de la solución (**6 o 10**) y la conexión del tubo de aspiración (**1**), respectivamente. Lave el tubo de aspiración con agua tibia para eliminar residuos del tubo de aspiración y de la herramienta de limpieza. Exáminelos para comprobar si existen daños. Coloque la varilla en el soporte de retén de la varilla (**19**).
- 5 Limpie la máquina con un paño húmedo. No utilice disolventes ni productos químicos abrasivos.
- 6 Realice cualquier operación de mantenimiento que sea necesaria antes de guardar la máquina.

## PROGRAMA DE MANTENIMIENTO

| OPERACIÓN DE MANTENIMIENTO                                                | Diario | Semanal | Anual |
|---------------------------------------------------------------------------|--------|---------|-------|
| Limpiar e inspeccionar depósitos y tubos                                  | •      |         |       |
| Limpiar e inspeccionar el flotador de cierre del depósito de recuperación | •      |         |       |
| Limpiar la varilla/herramienta de extracción                              | •      |         |       |
| Limpiar e inspeccionar los filtros de la solución                         |        | •       |       |
| Verificar los cepillos de carbono                                         |        |         | •     |

### ¡IMPORTANTE!

Los daños al motor causados por no haber revisado y mantenido los cepillos de carbono no están cubiertos por la garantía. Consulte la Declaración de Garantía Limitada.

- 7 Guarde la máquina en el interior, en un lugar limpio y seco, con la tapa del depósito de recuperación abierta. Protéjala frente a la congelación.

## MANTENIMIENTO DEL CABLE DE ALIMENTACIÓN

Una vez por semana (o más si fuera necesario), compruebe los cables de alimentación para ver si existen grietas o si el aislamiento está dañado, si hay hilos expuestos en el cable o en el enchufe y si la patilla de tierra está dañada o no está presente. Repare o sustituya el cable o enchufe dañado **inmediatamente**.

## MANTENIMIENTO:

Para lograr un rendimiento óptimo, limpie la máquina con agua limpia al final de cada jornada laboral. Una vez al mes, como mínimo, haga pasar un compuesto de limpieza por la máquina para deshacer cualquier acumulación de minerales o productos químicos que pueda haberse formado. El motor de aspiración, los motores de las bombas y las propias bombas no necesitan ningún mantenimiento programado; sin embargo, puede ser necesario cambiar las escobillas de los motores tras 1000-1500 horas de funcionamiento, y las bombas de alta presión y las válvulas del descargador pueden requerir kits de reparación tras 500-1000 horas (consulte la lista de piezas de la máquina para conocer los números). Limpie el cuerpo de la máquina con un detergente multiusos y protéjalo con cera de automóviles para interiores. Lubrique las ruedas, ruedas pivotantes y desconexiones rápidas con un spray de silicona multiusos.

**LOCALIZACIÓN DE AVERÍAS:****SI SE PRODUCE ESTE PROBLEMA      COMPRUEBE LO SIGUIENTE**

|                       |                                                                                                                                                                                                                                                                                    |
|-----------------------|------------------------------------------------------------------------------------------------------------------------------------------------------------------------------------------------------------------------------------------------------------------------------------|
| NO HAY PULVERIZACIÓN  | El depósito de retención está vacío o el filtro está atascado.<br>Puntas de pulverización atascadas.<br>La bomba no funciona o no ha sido cebada.<br>La válvula en la varilla no funciona.<br>El tubo de la solución no está completamente conectado al tubo o a la máquina.       |
| BAJA PRESIÓN DE BOMBA | Compruebe que la válvula de disminución de presión esté completamente cerrada.                                                                                                                                                                                                     |
| LA BOMBA NO FUNCIONA  | El motor de la bomba funciona con tensión CA, por lo que debería empezar a funcionar al encender el interruptor. Si el motor de la bomba no arranca, compruebe el cableado al interruptor y al motor. Compruebe el interruptor para ver si está "abierto".                         |
| POCA SUCCIÓN          | Hay residuos que atascan la herramienta de limpieza o el tubo de aspiración.<br>La tapa del tubo de drenaje no está completamente cerrada.<br>La tapa del depósito de recuperación no está asentada, o la empaquetadura está dañada.                                               |
| NINGUNA SUCCIÓN       | La bola en el flotador está bloqueando el flujo de aire. Apague la aspiración de modo que la bola baje, o el depósito de recuperación está lleno y se debe vaciar.<br>No llega alimentación a los motores.<br>Compruebe los interruptores.<br>Compruebe los motores de aspiración. |
| POCO CALOR            | Pulverización demasiado prolongada. Intente pulverizar durante 12-15 segundos, o unos tres golpes.<br>Es necesario limpiar el intercambiador de calor.<br>Se está utilizando una herramienta equivocada. Pasa demasiada agua. Tubo más largo o de mayor diámetro que el estándar.  |
| NO HAY CALOR          | No se ha encendido el sistema calefactor. La luz indicadora de circuito verde debe estar encendida.<br>No hay alimentación en la toma de la pared: compruebe si el disyuntor ha saltado.<br>Llame a su distribuidor para obtener ayuda adicional.                                  |

**ESPECIFICACIONES TÉCNICAS**

|                            |                                                                                                                    |
|----------------------------|--------------------------------------------------------------------------------------------------------------------|
| Cuerpo rotomoldeado:       | Garantía de por vida                                                                                               |
| Aspiración:                | 18,3 cm, 3 etapas, depresión de 355 cm                                                                             |
| Desconexión de aspiración: | Flotador de bola                                                                                                   |
| Bomba:                     | Desplazamiento positivo, totalmente ajustable 0-500 psi y desplazamiento positivo, 1200 psi, 8,3 litros por minuto |
| Calor:                     | 2000 vatios, hasta 100 °C                                                                                          |
| Capacidad:                 | Depósito de retención de 60 litros; depósito de recuperación de 53 litros                                          |
| Cables:                    | Dos, desmontables 12/3, enchufes de grado para hospitales                                                          |
| Tamaño:                    | 99,06 cm altura x 53,34 cm anchura x 91,44 cm longitud                                                             |
| Vaciado automático:        | 19 litros por minuto                                                                                               |
| Ruedas:                    | 25,4 cm, con bloqueo, no dejan marcas                                                                              |
| Tubos:                     | Tubos de 7,6 m en una bobina (patente en trámite)                                                                  |
| Más:                       | Llenado automático y sistema de cebado eléctrico para la bomba de 1200 psi                                         |



## TABLE DES MATIÈRES

|                                                    | Page        |
|----------------------------------------------------|-------------|
| <b>Introduction</b> .....                          | C-3         |
| Pièces et service après-vente .....                | C-3         |
| Plaque d'identification.....                       | C-3         |
| Déballage de la machine .....                      | C-3         |
| Consignes de sécurité importantes .....            | C-4         |
| Instructions de mise à la terre .....              | C-5         |
| <b>Apprenez à connaître votre machine</b> .....    | C-6 – C-7   |
| Panneau de commande .....                          | C-7         |
| <b>Installation et fonctionnement</b> .....        | C-10 – C-11 |
| Nettoyeur haute pression à 1200PSI (83 bars) ..... | C-8 - C-9   |
| 500PSI (34,50 bars) et chaleur.....                | C-10 - C-11 |
| Remplissage automatique .....                      | C-12        |
| Vidange automatique.....                           | C-12        |
| <b>Après l'utilisation</b>                         |             |
| Après l'utilisation de la machine .....            | C-13        |
| <b>Entretien</b>                                   |             |
| Programme d'entretien .....                        | C-13        |
| Maintenance du cordon d'alimentation.....          | C-13        |
| Dépannage .....                                    | C-14        |
| Spécifications techniques .....                    | C-14        |
| <b>SECTION II – Liste des pièces</b> .....         | D-1 - D-11  |
| Base .....                                         | D-2 - D-3   |
| Réservoir de rétention .....                       | D-4 - D-5   |
| Réservoir d'aspiration .....                       | D-6 - D-7   |
| Système de tuyauterie.....                         | D-8 - D-9   |
| Schéma du circuit d'eau .....                      | D-10 - D-11 |

## INTRODUCTION

Ce mode d'emploi vous permettra d'exploiter au maximum les fonctionnalités de votre extracteur. Lisez-le attentivement avant d'utiliser la machine.

**Note : les chiffres en gras et entre parenthèses indiquent un élément illustré à la page C-6, sauf indication contraire.**

Ce produit est conçu pour un usage commercial uniquement.

## PIÈCES ET SERVICE APRÈS-VENTE

Si nécessaire, les réparations doivent être effectuées par votre centre de service agréé. Ce centre emploie du personnel formé en usine et maintient un inventaire de pièces de rechange et d'accessoires originaux.

Veuillez appeler pour tout entretien ou pièce de rechange. Veuillez préciser le modèle et le numéro de série de votre machine dans toute communication.

## MODIFICATIONS

Les ajouts et modifications de la machine de nettoyage, qui affectent la capacité et le fonctionnement sécurisé, ne doivent pas être réalisés par le client ou l'utilisateur sans l'approbation écrite et préalable du fabricant. Les modifications non approuvées annuleront la garantie de la machine et rendront le client responsable de tout accident consécutif.

## PLAQUE D'IDENTIFICATION

La référence du modèle et le numéro de série de votre machine figurent sur la plaque d'identification. Ces informations sont nécessaires lors de la commande de pièces détachées. Utilisez l'espace disponible ci-dessous pour consigner ces renseignements en vue d'une utilisation ultérieure.

Modèle \_\_\_\_\_

Numéro de série \_\_\_\_\_

## DÉBALLAGE DE LA MACHINE

Lors de la livraison de la machine, veuillez inspecter soigneusement le carton de conditionnement et la machine elle-même afin de déceler tout dommage éventuel. En cas de dommages manifestes, conservez le carton de conditionnement afin d'en permettre l'inspection.

## AVERTISSEMENT !

Les Produits vendus avec le présent manuel contiennent ou peuvent contenir des produits chimiques reconnus par certains gouvernements (comme l'État de Californie, par le biais de la proposition de loi d'avertissement réglementaire 65) comme provoquant des cancers, des anomalies congénitales et autres dangers pour la reproduction. Dans certains endroits (comme l'État de Californie), les acheteurs de ces Produits, qui les utilisent sur un lieu de travail ou dans un espace public, ont l'obligation d'apposer certains avis, avertissements ou informations concernant les produits chimiques qui sont ou peuvent être contenus dans les Produits dans ces lieux ou aux alentours de ces lieux de travail. Il incombe à l'acheteur de connaître les dispositions de, et de respecter, toutes les lois et réglementations ayant trait à l'utilisation de ces Produits au sein de tels environnements. Le Fabricant rejette toute responsabilité d'informer les acheteurs concernant les exigences spécifiques qui peuvent s'appliquer à l'utilisation des Produits dans de tels environnements.

## CONSIGNES DE SÉCURITÉ IMPORTANTES :

Cette machine est conçue uniquement pour une utilisation commerciale, comme dans des hôtels, des écoles, des hôpitaux, des usines, des magasins et des bureaux, tout ce qui ne concerne pas les travaux ménagers.

Lorsque vous utilisez un appareil électrique, certaines règles de base doivent toujours être observées, notamment celles énoncées ci-après :

**NOTE** : lisez toutes les instructions avant d'utiliser la machine.

### **AVERTISSEMENT !**

Afin de réduire les risques d'incendie, de décharge électrique ou de blessure :

- Avant chaque utilisation, retirez l'accessoire de pulvérisation du tuyau et assurez-vous que les buses sont correctement fixées à l'accessoire. Une buse desserrée pourrait être éjectée pendant l'utilisation.
- N'utilisez jamais des solvants.
- Ne laissez pas la machine sans surveillance quand elle est branchée. Débranchez-la de la prise lorsqu'elle n'est pas utilisée et avant de procéder à un entretien.
- Afin d'éviter tout choc électrique, n'exposez pas la machine à la pluie ou à la neige. Rangez et utilisez cet appareil uniquement à l'intérieur.
- Cet appareil ne doit pas être utilisé comme un jouet. Faites très attention lorsque l'appareil est utilisé à proximité d'enfants.
- Utilisez cet appareil uniquement comme décrit dans le présent manuel. Utilisez uniquement les accessoires recommandés par le fabricant.
- N'ajoutez jamais une eau à plus de 54°C dans le réservoir de rétention.
- Si la machine ne fonctionne pas correctement, si elle est tombée, endommagée, restée à l'extérieur, voire même lâchée dans l'eau, renvoyez-la à un centre de service.
- Ne tirez pas l'appareil par le cordon électrique. N'utilisez pas non plus le cordon comme une poignée et ne l'enroulez pas autour d'objets pointus ou tranchants. Évitez également de refermer une porte sur le cordon. Évitez de faire rouler la machine sur le cordon. Le cordon doit rester loin de toute surface chauffée. Pour débrancher la machine, saisissez la prise et non le cordon.
- Ne manipulez pas la prise, le cordon ou la machine avec les mains humides.
- La longueur des rallonges doit être de 1 à 15 m maximum.
- N'utilisez pas l'appareil si le cordon ou la prise sont endommagés. Si le cordon ou la prise sont endommagés, faites-les réparer immédiatement par un centre de service agréé.
- N'introduisez aucun objet dans les orifices de l'appareil. N'utilisez pas l'appareil si l'un de ses orifices est bloqué. Conservez à l'abri des poussières, cheveux, peluches, etc., qui risquent de réduire le débit d'air.
- Évitez que des cheveux, doigts ou vêtements amples ne soient entraînés dans les parties mobiles de la machine ou pris dans un de ses orifices.
- N'aspirez aucun objet brûlant ou fumant, tel que des cigarettes, des allumettes, des cendres chaudes, ni aucune poussière nuisible à la santé. N'utilisez pas la machine pour ramasser des liquides inflammables ou combustibles, tels que de l'essence, ou à proximité de telles substances.
- Placez toutes les commandes en position d'arrêt avant de débrancher l'appareil.
- Faire très attention en nettoyant des escaliers.
- Branchez uniquement l'appareil à une prise correctement mise à la terre.
- Tout liquide éjecté de la buse peut être dangereux en raison de sa température, de sa pression ou de sa nature chimique. Utilisez avec prudence.
- Lisez toujours les FDS des produits chimiques avant leur utilisation.

**CONSERVEZ CES CONSIGNES**

## INSTRUCTIONS DE MISE À LA TERRE POUR 120 V C.A.

Cet appareil doit être mis à la terre. En cas de mauvais fonctionnement, la mise à la terre établit un trajet de moindre résistance pour le courant électrique afin de réduire le risque de décharge électrique. Cet appareil est équipé d'un cordon doté d'un conducteur de protection et d'une prise de mise à la terre. La prise doit être branchée à une prise murale appropriée, correctement installée et mise à la terre, en accord avec tous les codes et consignes locaux.

### ⚠ DANGER !

Un conducteur de protection mal branché peut entraîner un risque de décharge électrique. Vérifiez avec un électricien ou un technicien qualifié en cas de doute sur la mise à la terre correcte de la prise. Ne modifiez pas la prise fournie avec l'appareil. Si elle ne peut être branchée, faites installer une prise murale appropriée par un électricien qualifié.

Cet appareil est destiné à être utilisé sur un circuit de 120 volts et possède une prise de mise à la terre comme celle illustrée à la Figure 1. Un adaptateur temporaire illustré sur les Figures 2 et 3 peut être utilisé pour brancher cette dernière à une prise fixe bipolaire, illustrée à la Figure 2, si une prise correctement mise à la terre n'est pas disponible. L'adaptateur temporaire doit être utilisé jusqu'à ce qu'une prise correctement mise à la terre (Figure 1) soit installée par un électricien qualifié. La languette rigide de couleur verte, ou autre dispositif du même genre, de l'adaptateur doit être connectée à une mise à la terre permanente, telle qu'une prise correctement reliée à la terre. Lorsque l'adaptateur est utilisé, il doit être maintenu en position avec une vis métallique. Les adaptateurs de mise à la terre ne sont pas conçus pour une utilisation au Canada.

Remplacez la prise si la broche de mise à la terre est endommagée ou cassée.

Le fil vert (ou vert/jaune) est le fil de terre. Lorsque vous remplacez la prise, ce fil doit être connecté à la broche de mise à la terre uniquement.

Les cordons prolongateurs branchés à cette machine doivent être des rallonges à trois conducteurs de calibre 12, avec des fiches et des prises à trois broches. N'utilisez PAS des cordons prolongateurs de plus de 15 m.

### ⚠ AVERTISSEMENT !

- Si une rallonge est utilisée, la prise de la rallonge et la prise murale doivent être étanches.
- Les rallonges électriques inappropriées peuvent présenter des risques.

REMARQUE : UNIQUEMENT POUR L'AMÉRIQUE DU NORD

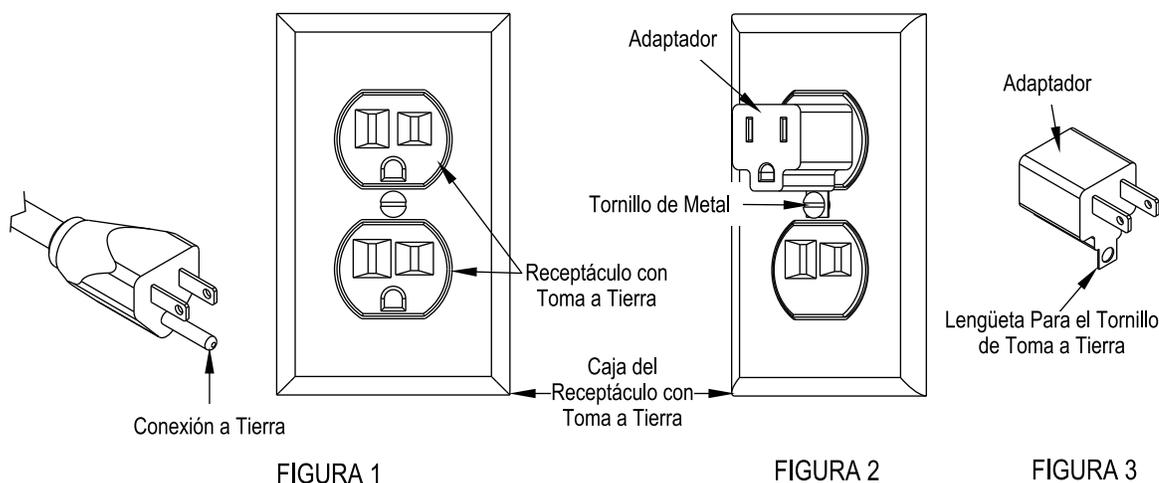


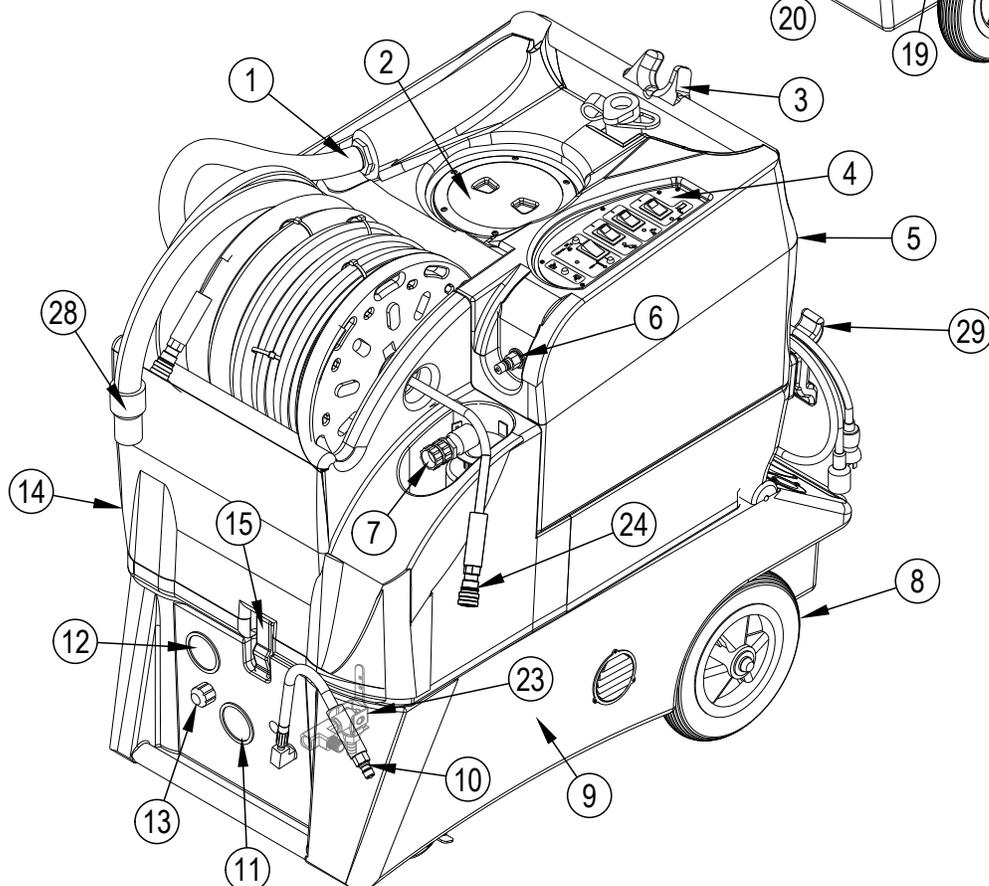
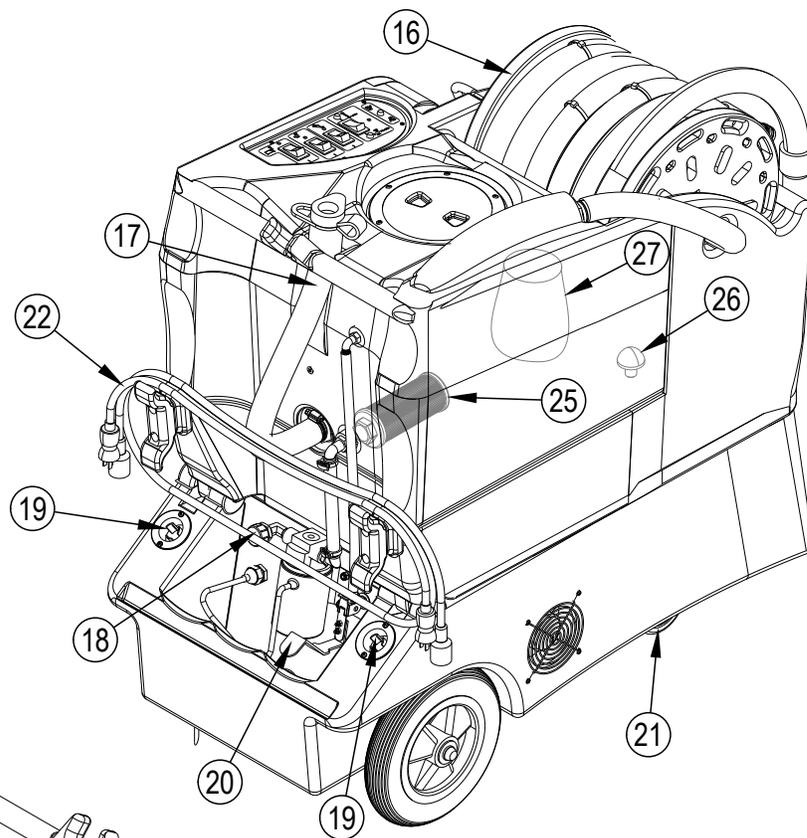
FIGURA 1

FIGURA 2

FIGURA 3

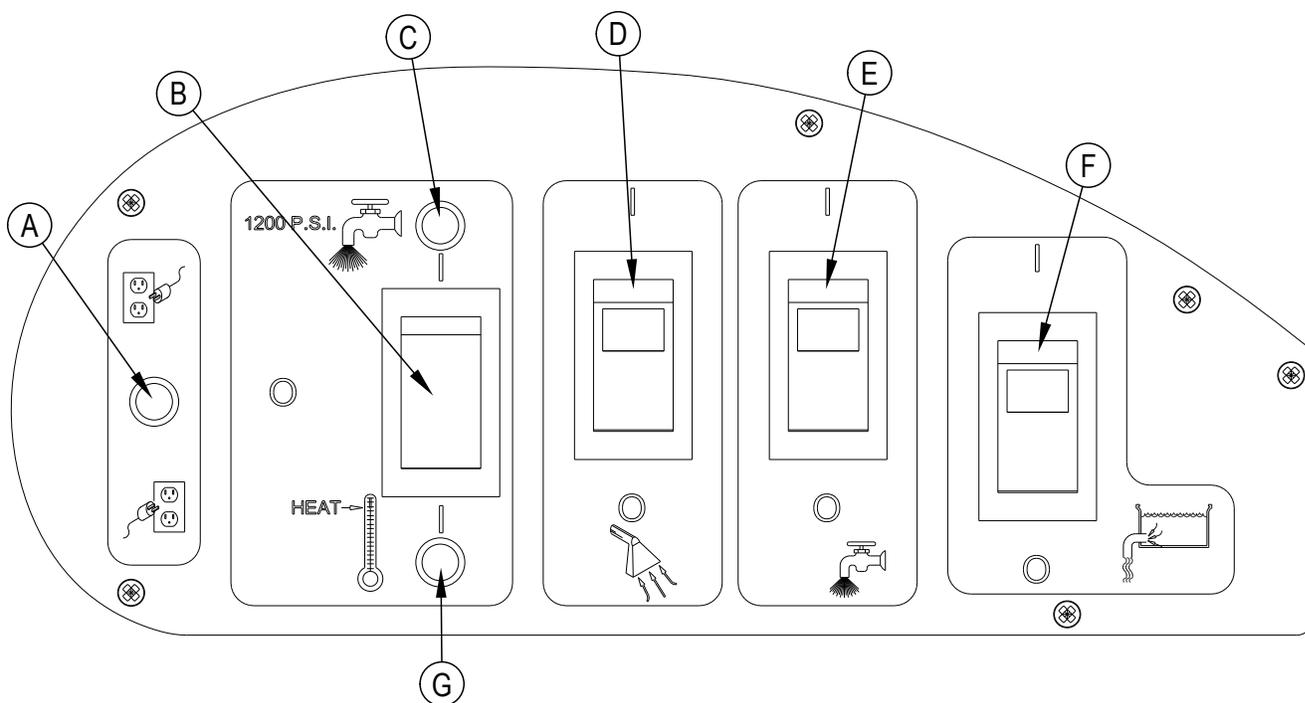
**APPRENEZ À CONNAÎTRE VOTRE MACHINE**

- 1 Raccord du tuyau d'aspiration
- 2 Couvercle du réservoir de récupération
- 3 Support de la lance
- 4 Panneau de commande
- 5 Réservoir de récupération
- 6 Raccord rapide 1200PSI
- 7 Raccord du tuyau de remplissage automatique
- 8 Roue arrière
- 9 Compartiment de base
- 10 Raccord rapide 500PSI
- 11 Jauge 1200PSI
- 12 Jauge 500PSI
- 13 Bouton de réglage de la pression 500PSI
- 14 Réservoir de rétention
- 15 Loquet du réservoir
- 16 Dévidoir du tuyau d'aspiration
- 17 Tuyau de vidange du réservoir de récupération
- 18 Raccord du tuyau de vidange
- 19 Prise du cordon d'alimentation
- 20 Pédale d'amorçage électrique
- 21 Roulette avant avec frein
- 22 Cordons d'alimentation
- 23 Soupape de décharge
- 24 Tuyau de solution
- 25 Filtre d'entrée de la pompe de vidange
- 26 Filtre d'entrée de la pompe
- 27 Sac pré-filtrant
- 28 Tuyau d'aspiration
- 29 Crochets pour cordons



## PANNEAU DE COMMANDE

- A** **Témoin de localisation de circuits séparés** : ce voyant vert s'allume quand les deux cordons d'alimentation sont branchés à des circuits séparés. Branchez un des cordons à une autre prise jusqu'à ce que le voyant vert s'allume. Dans le cas contraire, un disjoncteur peut se déclencher dans le mur.
- B** **Interrupteur haute pression/chaueur** : ce sélecteur détermine si vous utilisez la pompe à 1200 psi ou l'échangeur de chaleur. Vous pouvez sélectionner l'un ou l'autre, mais pas les deux en même temps. L'échangeur de chaleur fonctionne uniquement avec la pompe 500 psi. La position centrale correspond à l'arrêt ; et la pompe 1200 psi et l'échangeur de chaleur ne s'allument pas. ATTENTION : ne faites pas fonctionner en même temps la pompe 1200 psi et la pompe 500 psi.
- C** **Témoin 1200 PSI** : ce voyant s'allume quand l'interrupteur est réglé sur la pompe 1200 PSI.
- D** **Interrupteur d'aspiration** : cet interrupteur active l'aspiration.
- E** **Interrupteur de la pompe 500 PSI** : cet interrupteur active la pompe de solution 500 PSI. ATTENTION : ne faites pas fonctionner les deux pompes de solution en même temps.
- F** **Interrupteur de la pompe de vidange** : ce dernier interrupteur allume la pompe de vidange automatique. Utilisez-le quand vous voulez que la machine vidange automatiquement la solution récupérée. ATTENTION : n'activez pas cette pompe avant d'avoir branché le tuyau de vidange.
- G** **Témoin de chaleur** : ce voyant s'allume quand vous avez sélectionné l'échangeur de chaleur au lieu de la pompe 1200 psi.



## INSTALLATION ET FONCTIONNEMENT

### NETTOYEUR HAUTE PRESSION 1200 PSI

#### ATTENTION !

Prenez des précautions quand vous manipulez des produits chimiques dangereux.  
Ne laissez jamais la machine fonctionner si vous ne l'utilisez pas de manière active.  
Utilisez toujours un agent anti-mousse en cas de moussage pour éviter d'endommager le moteur.

#### DANGER !

N'utilisez PAS un solvant ou tout autre produit chimique inflammable, détonant ou combustible.

#### SOLUTIONS DE NETTOYAGE :

Sélectionnez le produit de pré-vaporisation adéquat pour la surface à nettoyer et appliquez-le. Utilisez un détergent ou un produit de rinçage à pH neutre (entre 6 et 10) dans la machine King Cobra pour éviter l'usure prématurée des pompes, des joints et autres composants. Les dommages découlant de l'emploi de produits chimiques forts ou incorrects ne sont pas couverts par la garantie. Les produits chimiques en poudre sont déconseillés.

1 Inspectez la propreté et l'état complet de la machine, des tuyaux et des accessoires de nettoyage avant chaque utilisation. Assurez-vous que les tuyaux sont en bon état et que la ou les buses sont étanches. Assurez-vous que le sac pré-filtrant (27) et le filtre d'entrée de la pompe de vidange (25) sont installés et propres.

2 Quand vous n'utilisez pas la fonction de vidange automatique, assurez-vous que le bouchon en laiton est correctement vissé sur le raccord du tuyau de vidange (18) de la pompe de vidange, située à l'arrière de la machine. Si vous décidez d'utiliser la fonction de vidange automatique, branchez le tuyau de vidange au raccord du tuyau de vidange (18), situé à l'arrière de la pompe de vidange, et placez l'extrémité libre du tuyau dans une évacuation. Assurez-vous que le tuyau de vidange du réservoir de récupération (17) est fermé, et que le couvercle du réservoir de récupération (2) est bien fermé.

#### CONSULTEZ LES INSTRUCTIONS POUR LE REMPLISSAGE ET LA VIDANGE AUTOMATIQUES DANS LES PAGES SUIVANTES.

3 si vous choisissez d'utiliser la fonction de remplissage automatique, branchez le tuyau de remplissage au raccord du tuyau de remplissage automatique (7). Ouvrez l'arrivée d'eau et laissez le réservoir se remplir d'eau. Lorsque vous utilisez le système de remplissage automatique, le flotteur de remplissage automatique s'active et se désactive au fur et à mesure où le réservoir se vide, et ensuite se remplit. **NOTE** : si vous n'avez pas l'intention d'utiliser le système de remplissage automatique, remplissez simplement le réservoir avec de l'eau et un produit chimique de nettoyage. Respectez les instructions pour la dilution et le mélange du produit chimique. N'utilisez pas des produits chimiques corrosifs ; ils pourraient endommager les joints des pompes et des vannes, et entraîner une usure prématurée de la pompe.

**NOTE** : l'emploi d'eau chaude dans le réservoir peut améliorer l'efficacité de l'échangeur de chaleur en cas de nettoyage avec chaleur, mais la température de l'eau ne doit jamais dépasser 54°C.

#### CONSULTEZ LES INSTRUCTIONS POUR LE REMPLISSAGE ET LA VIDANGE AUTOMATIQUES DANS LES PAGES SUIVANTES.

4 Pré-vaporisez la zone à nettoyer à l'aide d'un pulvérisateur pendant que le réservoir se remplit. Suivez les instructions des produits chimiques.

5 Branchez les deux cordons d'alimentation (22). Ne branchez pas les deux cordons à la même prise murale. Le voyant vert de localisation de circuits séparés (A) situé sur la plaque d'interrupteur doit s'allumer. Si ce voyant ne s'allume pas, vérifiez le boîtier disjoncteurs dans le mur et/ou essayez des prises différentes jusqu'à ce qu'il s'allume. Bien que tous les systèmes de la machine puissent fonctionner correctement si vous n'êtes pas branché sur deux circuits, un disjoncteur dans une cloison peut se déclencher. En vous assurant que le témoin vert s'allume, vous empêcherez le déclenchement des disjoncteurs. Allumez la pompe 1200 PSI en plaçant l'interrupteur HAUTE PRESSION/CHALEUR (B) en position HAUTE afin de sélectionner la pompe 1200 PSI.

**NOTE** : cet interrupteur est à l'arrêt lorsqu'il est en position centrale et que ni la pompe 1200 PSI, ni l'échangeur de chaleur n'ont été sélectionnés.

L'échangeur de chaleur et la pompe 1200 PSI ne peuvent pas fonctionner en même temps.

6 Amorçez la pompe 1200 PSI en utilisant le système « d'amorçage électrique ». Allumez à la fois la pompe (B) et l'aspiration (D). Couvrez le raccord du tuyau d'aspiration (1) situé au sommet de la machine avec votre main, puis appuyez sur la pédale d'amorçage électrique (20). Ainsi, l'air bloqué dans la pompe sera aspiré dans le réservoir de récupération, ce qui amorcera la pompe. Vous devez remarquer un changement de « bruit » dans la pompe (plus homogène, moins de secousse), et l'eau aspirée dans le réservoir de récupération passera d'une eau blanche et crépitante à un flux clair et continu.

**NOTE** : l'amorçage nécessite que le réservoir de rétention (14) soit plein, et peut prendre 20 à 90 secondes. Une fois la pompe amorcée, relâchez la pédale d'amorçage électrique (20), puis éteignez la pompe (B) et l'aspiration (D). Appuyez à nouveau sur la pédale d'amorçage électrique (20) pendant un court instant après l'arrêt de la pompe pour relâcher toute contre-pression accumulée.

7 Votre machine dispose de deux sorties de solution. La sortie de solution de la pompe 1200 psi est un raccord rapide (6) situé juste au-dessus de l'orifice de remplissage du réservoir de rétention, à l'avant de la machine (la sortie de 500 psi est un raccord rapide (10) situé à l'extrémité d'un tuyau court, à l'avant, sur la base de la machine). Fixez le tuyau de solution (24) du dévidoir au raccord rapide de 1200 PSI (6). Fixez le tuyau d'aspiration (28) du dévidoir au raccord du tuyau d'aspiration (1). Tirez sur les tuyaux pour les sortir du dévidoir. Fixez les autres extrémités des tuyaux à l'accessoire de nettoyage.

8 Activez l'aspiration (D) et allumez la pompe de vidange (F). Commencez à nettoyer.

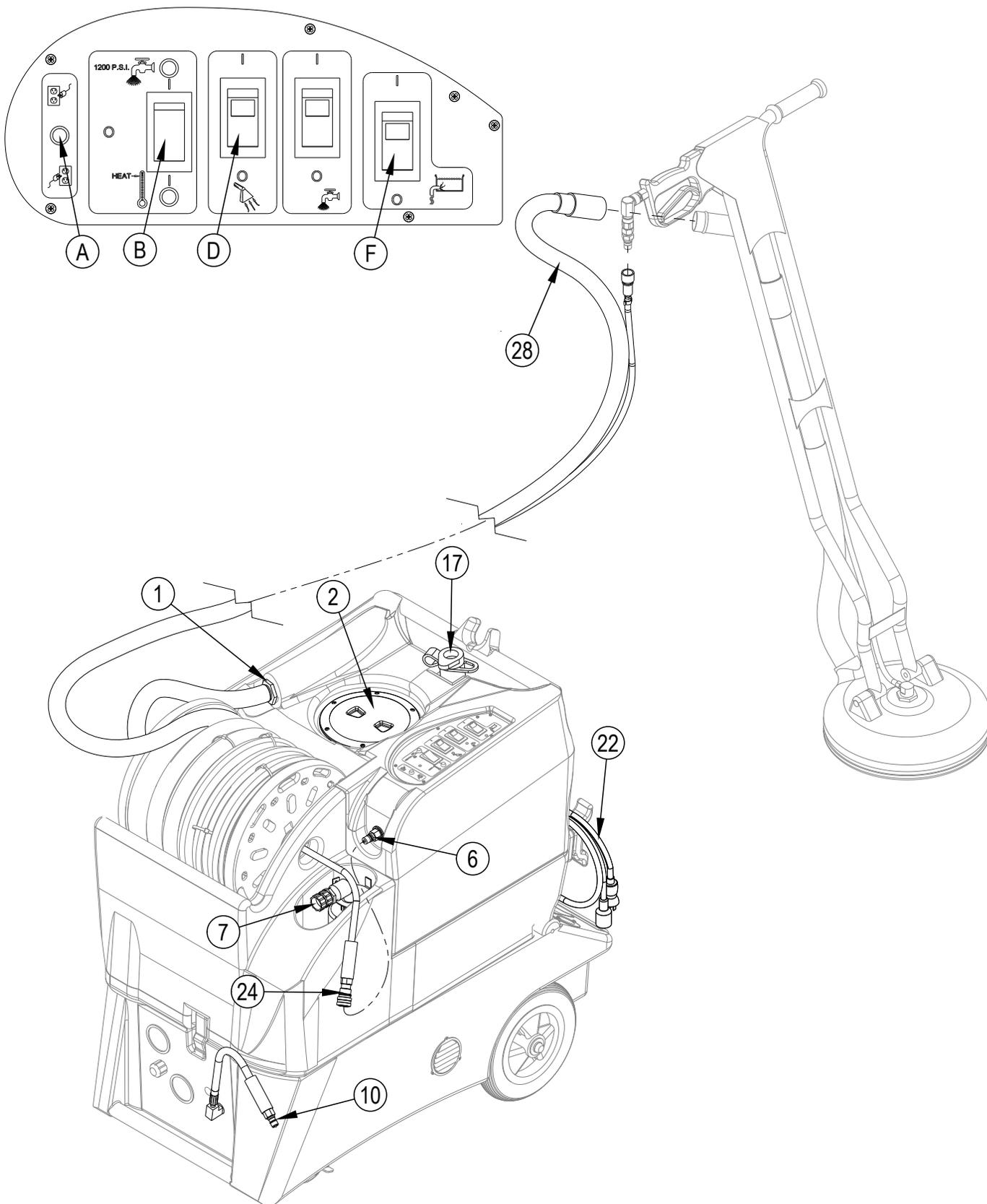
**NOTE** : la pompe de vidange s'allume et s'arrête automatiquement quand le réservoir se remplit, puis se vide (consultez les schémas des pages suivantes).

9 Une fois le travail terminé, coupez l'arrivée d'eau (si vous utilisez le remplissage automatique).

**LOCALISATEUR DE CIRCUIT ÉLECTRIQUE** : ce système indique à l'opérateur quand les deux cordons sont branchés à deux circuits séparés en allumant le voyant vert de localisation de circuits (A). Cela empêche le déclenchement des disjoncteurs.

**NOTE** : si le voyant vert de localisation de circuits (A) ne s'allume pas quand les cordons sont branchés, alors ces derniers sont connectés au même circuit. Essayez de brancher l'un des cordons à une autre prise jusqu'à ce que le voyant s'allume.

# INSTALLATION ET FONCTIONNEMENT NETTOYEUR HAUTE PRESSION 1200 PSI



## INSTALLATION ET FONCTIONNEMENT 500PSI (34,50 BARS) ET CHALEUR

### ⚠ ATTENTION !

Prenez des précautions quand vous manipulez des produits chimiques dangereux.  
Ne laissez jamais la machine fonctionner si vous ne l'utilisez pas de manière active.  
Utilisez toujours un agent anti-mousse en cas de moussage pour éviter d'endommager le moteur.

### ⚠ DANGER !

N'utilisez PAS un solvant ou tout autre produit chimique inflammable, détonant ou combustible.

### SOLUTIONS DE NETTOYAGE :

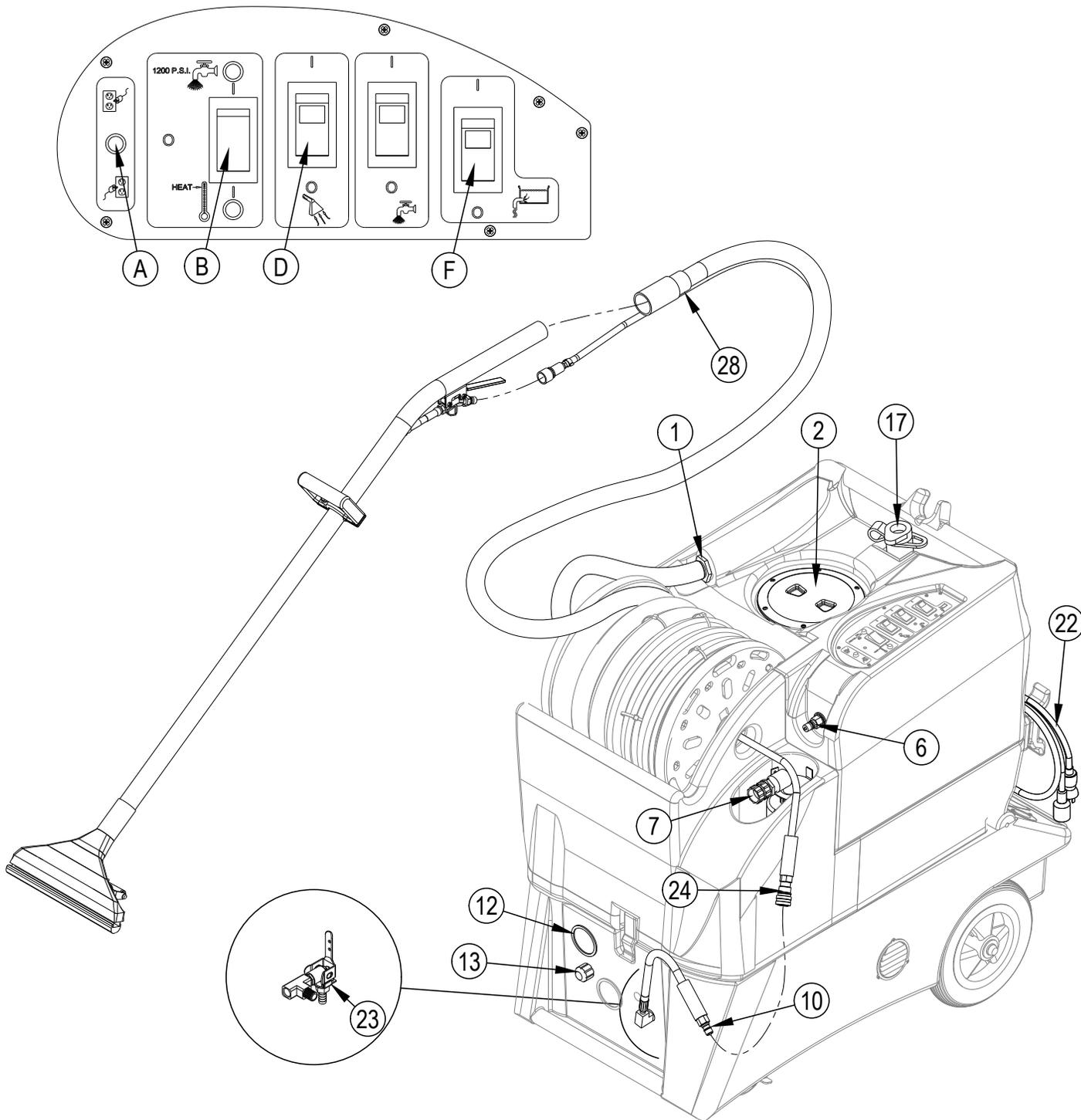
Sélectionnez le produit de pré-vaporisation adéquat pour la surface à nettoyer et appliquez-le. Utilisez un détergent ou un produit de rinçage à pH neutre (entre 6 et 10) dans la machine King Cobra pour éviter l'usure prématurée des pompes, des joints et autres composants. Les dommages découlant de l'emploi de produits chimiques forts ou incorrects ne sont pas couverts par la garantie. Les produits chimiques en poudre sont déconseillés.

- 1 Inspectez la propreté et l'état complet de la machine, des tuyaux et des accessoires de nettoyage avant chaque utilisation. Assurez-vous que les tuyaux sont en bon état et que la ou les buses sont étanches. Assurez-vous que le sac pré-filtrant (27) et le filtre d'entrée de la pompe de vidange (25) sont installés et propres.
- 2 Quand vous n'utilisez pas la fonction de vidange automatique, vérifiez simplement que le bouchon en laiton est correctement vissé sur le raccord du tuyau de vidange (18) de la pompe de vidange, située à l'arrière de la machine. Si vous décidez d'utiliser la fonction de vidange automatique, branchez le tuyau de vidange au raccord du tuyau de vidange (18), situé à l'arrière de la pompe de vidange, et placez l'extrémité libre du tuyau dans une évacuation. Assurez-vous que le tuyau de vidange du réservoir de récupération (17) est fermé, et que le couvercle du réservoir de récupération (2) est bien fermé.  
**CONSULTEZ LES INSTRUCTIONS POUR LE REMPLISSAGE ET LA VIDANGE AUTOMATIQUES DANS LES PAGES SUIVANTES.**
- 3 Si vous choisissez d'utiliser la fonction de remplissage automatique, branchez le tuyau de remplissage au raccord du tuyau de remplissage automatique (7). Ouvrez l'arrivée d'eau et laissez le réservoir se remplir d'eau. Lorsque vous utilisez le système de remplissage automatique, le flotteur de remplissage automatique s'active et se désactive au fur et à mesure où le réservoir se vide, et ensuite se remplit. **NOTE** : si vous n'avez pas l'intention d'utiliser le système de remplissage automatique, remplissez simplement le réservoir avec de l'eau et un produit chimique de nettoyage. Respectez les instructions pour la dilution et le mélange du produit chimique. N'utilisez pas des produits chimiques corrosifs ; ils pourraient endommager les joints des pompes et des vannes, et entraîner une usure prématurée de la pompe.  
**NOTE** : l'emploi d'eau chaude dans le réservoir peut améliorer l'efficacité de l'échangeur de chaleur en cas de nettoyage avec chaleur, mais la température de l'eau ne doit jamais dépasser 54°C.
- 4 Pré-vaporisez la zone à nettoyer à l'aide d'un pulvérisateur pendant que le réservoir se remplit. Suivez les instructions des produits chimiques.
- 5 Branchez les deux cordons d'alimentation (22). Ne branchez pas les deux cordons à la même prise murale. Le voyant vert de localisation de circuits séparés (A) situé sur la plaque d'interrupteur doit s'allumer. Si ce voyant ne s'allume pas, vérifiez le boîtier disjoncteurs dans le mur et/ou essayez des prises différentes jusqu'à ce qu'il s'allume. Bien que tous les systèmes de la machine puissent fonctionner correctement si vous n'êtes pas branché sur deux circuits, un disjoncteur dans une cloison peut se déclencher. En vous assurant que le témoin vert s'allume, vous empêcherez le déclenchement des disjoncteurs. Sélectionnez « HEAT » (chaleur) en plaçant l'interrupteur HAUTE PRESSION/CHALEUR (B) en position basse.  
**NOTE** : cet interrupteur est à l'arrêt lorsqu'il est en position centrale et que ni la pompe 1200 PSI, ni l'échangeur de chaleur n'ont été sélectionnés. Lorsqu'il est en position basse, la chaleur est sélectionnée et le témoin rouge s'allume en continu. L'échangeur de chaleur et la pompe 1200 PSI ne peuvent pas fonctionner en même temps.
- 6 Appuyez sur le levier de la soupape de décharge (23) pour vous assurer qu'aucune contre-pression n'est présente dans le système.
- 7 Branchez le tuyau d'amorçage/siphon au raccord rapide 500PSI (10) et allumez la pompe (E) en plaçant l'extrémité libre du tuyau sur le réservoir de rétention (14). L'air doit amorcer la pompe en 20 à 60 secondes. Observez le débit d'eau dans le réservoir. Quand l'eau est claire (ne contient plus d'air) et s'écoule en un jet fort, arrêtez la pompe et débranchez le tuyau d'amorçage. N'enlevez JAMAIS le tuyau d'amorçage tant que la pompe est en marche.
- 8 Branchez le tuyau de solution (24) du dévidoir au raccord rapide 500PSI (10) et branchez le tuyau d'aspiration (28) du dévidoir au raccord du tuyau d'aspiration (1). Branchez les deux tuyaux à l'accessoire de nettoyage.
- 9 Allumez la pompe 500 PSI (E). Réglez la pompe à la pression souhaitée à l'aide du bouton de réglage de la pression 500 PSI (13) pendant que vous pulvérisez, et observez la jauge 500PSI (12). **NOTE** : la jauge indique la pression uniquement quand vous pulvérisez.
- 10 Vaporisez pendant quelques secondes pour remplir les conduites avec la solution. Attendez deux minutes pour laisser le temps à l'échangeur de chaleur d'atteindre la bonne température.
- 11 Activez l'aspiration (D) et allumez la pompe de vidange (F). Commencez à nettoyer. **NOTE** : la pompe de vidange s'allume et s'arrête automatiquement quand le réservoir se remplit, puis se vide (consultez les schémas des pages suivantes). Plusieurs cycles seront peut-être nécessaires pour chauffer les conduites et l'accessoire de nettoyage.
- 12 Si vous n'utilisez pas les fonctions de remplissage ou de vidange automatiques, arrêtez la pompe (E) et l'aspiration (D) lorsque le niveau du réservoir de rétention est bas ; remplissez-le, et videz et nettoyez le réservoir de récupération.
- 13 Une fois le travail terminé, coupez l'arrivée d'eau (si vous utilisez le remplissage automatique).

**LOCALISATEUR DE CIRCUIT ÉLECTRIQUE** : ce système indique à l'opérateur quand les deux cordons sont branchés à deux circuits séparés en allumant le voyant vert de localisation de circuits (A). Cela empêche le déclenchement des disjoncteurs.

**NOTE** : si le voyant vert de localisation de circuits (A) ne s'allume pas quand les cordons sont branchés, alors ces derniers sont connectés au même circuit. Essayez de brancher l'un des cordons à une autre prise jusqu'à ce que le voyant s'allume.

# INSTALLATION ET FONCTIONNEMENT 500PSI (34,50 BARS) ET CHALEUR



## REPLISSAGE AUTOMATIQUE

### FONCTIONNEMENT :

- Fixez un tuyau d'arrosage de 19 mm au raccord du tuyau de remplissage automatique (7) et branchez l'autre extrémité du tuyau à votre source d'eau.
- Assurez-vous que le flotteur suspendu à la vanne de remplissage automatique dans le réservoir peut se déplacer librement.
- Ouvrez l'arrivée d'eau. **NOTE** : n'ouvrez pas à une pression élevée ; ouvrez simplement l'eau.
- Le flotteur du remplissage automatique arrête automatiquement le débit d'eau entrant lorsque le réservoir est presque rempli et il permet à la vanne de se rouvrir lorsque le niveau d'eau est redescendu à un niveau prédéterminé.

## VIDANGE AUTOMATIQUE

### FONCTIONNEMENT :

**Avant chaque utilisation** : utilisez toujours un sac pré-filtrant propre quand vous utilisez la machine. Si nécessaire, dévissez le filtre en acier inoxydable situé à la base du réservoir de récupération et nettoyez-le. Assurez-vous également que le flotteur à bille dans le réservoir de récupération est propre.

- Fixez un tuyau d'arrosage de 19 mm au raccord du tuyau de vidange (18) sur la pompe de vidange, situé à l'arrière, à la base de la machine.
- Placez l'autre extrémité du tuyau dans une évacuation.
- Mettez la pompe de vidange en marche à l'aide de l'interrupteur (F).
- **NOTE** : la pompe de vidange est à amorçage automatique. L'eau doit commencer à s'écouler dans les 30 secondes qui suivent l'activation de la pompe. Si l'eau ne commence pas à s'écouler, vérifiez si le filtre n'est pas colmaté par des débris.

**Après chaque utilisation** : faites circuler de l'eau propre à travers la pompe de vidange pour rincer tous les résidus chimiques. Retirez et nettoyez à la fois le sac pré-filtrant (27) et le filtre d'entrée de la pompe (26). Remplacez le filtre une fois qu'il a été nettoyé. Videz et nettoyez le réservoir de récupération.



## DANGER !

N'utilisez PAS un solvant ou tout autre produit chimique inflammable, détonant ou combustible.



## ATTENTION !

Ajoutez toujours un agent anti-mousse dans le réservoir de récupération pour éviter que de l'eau ou de la mousse ne pénètre dans le moteur d'aspiration.



## DANGER !

Débranchez toujours la machine King Cobra de la (des) prise(s) électrique(s) avant de réaliser un nettoyage ou une maintenance. Certains composants internes sont sous tension même si les interrupteurs sont en position d'arrêt.

## APRÈS L'UTILISATION DE LA MACHINE

- 1 Pour vider le réservoir de rétention, aspirez la totalité de la solution non utilisée dans le réservoir de récupération à l'aide du tuyau d'aspiration. Rincez le réservoir à l'eau claire.
- 2 Placez tous les interrupteurs électriques (**B, D, E et F**) en position d'arrêt (O). Débranchez les cordons électriques (**22**). Enroulez les cordons sur les crochets (**29**) situés à l'arrière de la machine.
- 3 Pour vider le réservoir de récupération, desserrez l'attache Velcro retenant le tuyau de vidange du réservoir de récupération (**17**). Dirigez le tuyau de vidange vers un « SITE D'ÉVACUATION » des eaux usées désigné et enlevez le bouchon (maintenez l'extrémité au-dessus du niveau d'eau du réservoir afin d'éviter tout déversement accidentel et incontrôlable des eaux usées). Rincez le réservoir à l'eau claire. Inspectez le tuyau de vidange ; remplacez-le s'il est endommagé ou tordu.
- 4 Débranchez les tuyaux de solution et d'aspiration de la machine au niveau respectivement du raccord rapide du tuyau de solution (**6 ou 10**) et du raccord du tuyau d'aspiration (**1**). Rincez le tuyau d'aspiration à l'eau chaude pour éliminer les débris présents dans le tuyau et l'accessoire de nettoyage. Vérifiez la présence de dommages. Placez la lance sur le support de retenue de la lance (**3**).
- 5 Essuyez la machine avec un chiffon humide. N'utilisez pas de produits chimiques abrasifs ou de solvants.
- 6 Avant de ranger la machine, effectuez toutes les tâches de maintenance nécessaires.

## PROGRAMME DE MAINTENANCE

| ÉLÉMENT                                                                                  | Tous les jours | Chaque semaine | Tous les ans |
|------------------------------------------------------------------------------------------|----------------|----------------|--------------|
| Vérification / nettoyage des réservoirs et tuyaux                                        | •              |                |              |
| Vérification / nettoyage du système de fermeture à flotteur du réservoir de récupération | •              |                |              |
| Nettoyage de l'accessoire / lance d'extraction                                           | •              |                |              |
| Inspection et nettoyage des filtres de solution                                          |                | •              |              |
| Vérification des balais de carbone                                                       |                |                | •            |

## IMPORTANT !

Les dommages occasionnés au moteur suite à un manque d'entretien des balais de carbone ne sont pas couverts par la garantie. Consultez la Déclaration de responsabilité limitée.

- 7 Rangez la machine à l'intérieur, dans un endroit sec et propre, le couvercle du réservoir de récupération étant ouvert. Maintenez-la à l'abri du gel.

## MAINTENANCE DU CORDON ÉLECTRIQUE

Une fois par semaine (ou plus souvent si nécessaire), vérifiez les cordons électriques : la gaine ne présente aucune craquelure ou autre dommage, aucun fil n'est dénudé dans le cordon ou la prise, et la broche de terre n'est pas endommagée ou absente. Réparez ou remplacez **immédiatement** le cordon ou la prise s'ils sont endommagés.

## ENTRETIEN :

Pour une performance optimale, rincez la machine à l'eau claire à la fin de chaque journée de travail. Faites circuler un composé de rinçage dans la machine au moins une fois par mois pour éliminer toute accumulation de minéraux ou de produits chimiques. Le moteur d'aspiration, les moteurs des pompes et les pompes ne nécessitent aucun entretien planifié ; cependant, les balais des moteurs peuvent nécessiter un remplacement toutes les 1000 à 1500 heures. Les pompes à haute pression et les clapets de déchargement peuvent nécessiter une remise en état après 500 à 1000 heures (consultez la liste des pièces de la machine pour connaître les numéros de référence). Nettoyez le corps avec un détergent universel et protégez-le avec un produit de lustrage pour intérieur d'automobile. Graissez les roues, les roulettes et les raccords rapides avec un spray au silicone universel.

**DÉPANNAGE :****SI CE PROBLÈME SUR-  
VIENT****VÉRIFIEZ CE POINT**

|                             |                                                                                                                                                                                                                                                                                              |
|-----------------------------|----------------------------------------------------------------------------------------------------------------------------------------------------------------------------------------------------------------------------------------------------------------------------------------------|
| AUCUNE PULVÉRISATION        | Le réservoir de rétention est vide ou le filtre est colmaté.<br>Colmatage de la (des) buse(s) de pulvérisation.<br>Pompe ne fonctionne pas ou non amorcée.<br>Vanne sur la lance ne fonctionne pas.<br>Le tuyau de solution n'est pas correctement branché au raccord ou à la machine.       |
| FAIBLE PRESSION DE LA POMPE | Vérifier si la soupape de décharge est totalement fermée.                                                                                                                                                                                                                                    |
| POMPE NE FONCTIONNE PAS     | Le moteur de cette pompe fonctionne avec une tension c.a. Il doit donc démarrer dès que vous appuyez sur l'interrupteur. Si le moteur de la pompe ne démarre pas, vérifier le câblage vers l'interrupteur et vers le moteur. Vérifier l'interrupteur pour vous assurer qu'il est « ouvert ». |
| ASPIRATION FAIBLE           | Débris colmatant l'accessoire de nettoyage ou le tuyau d'aspiration.<br>Le bouchon du tuyau de vidange n'est pas complètement fermé.<br>Couvercle du réservoir de récupération mal positionné, ou joint endommagé.                                                                           |
| AUCUNE ASPIRATION           | Bille dans le flotteur bloquant le débit d'air. Arrêter l'aspiration afin que la bille redescende, ou le réservoir de récupération est plein et doit être vidé.<br>Aucun courant vers le(s) moteur(s).<br>Tester les interrupteurs.<br>Tester les moteurs d'aspiration.                      |
| CHAUFFAGE FAIBLE            | Pulvérisation trop longue. Tenter de vaporiser pendant 12-15 secondes ou environ trois appuis.<br>L'échangeur de chaleur doit être nettoyé.<br>Mauvais accessoire utilisé. Circulation d'une quantité d'eau excessive. Tuyau plus long ou plus large que la normale.                         |
| AUCUNE CHALEUR              | La chaleur n'est pas activée. Le voyant de circuits vert doit être allumé.<br>Aucune électricité au niveau de la prise murale. Vérifier si le disjoncteur s'est déclenché.<br>Contacter votre revendeur pour obtenir de l'aide.                                                              |

**SPÉCIFICATIONS TECHNIQUES**

|                       |                                                                                                  |
|-----------------------|--------------------------------------------------------------------------------------------------|
| Corps rotomoulé :     | Garanti à vie                                                                                    |
| Aspiration :          | Aspiration triphasée de 7,2 pouces (18 cm), aspiration d'eau de 140 pouces (355 cm)              |
| Arrêt aspiration :    | Flotteur à bille                                                                                 |
| Pompe :               | Pompe volumétrique, totalement réglable de 0 à 500 psi, pompe volumétrique 1200 psi, 8,30 l/min. |
| Chaleur :             | 2000 watts, jusqu'à 100°C                                                                        |
| Capacité :            | Réservoir de rétention 60,50 litres ; réservoir de récupération 53 litres                        |
| Cordons :             | Deux, amovibles 1 m, prises de qualité hôpital                                                   |
| Taille :              | 99 cm H X 53 cm l X 91,50 cm L                                                                   |
| Vidange automatique : | 19 litres/min.                                                                                   |
| Roues :               | 25,4 cm, bloqueuses, non-marquantes                                                              |
| Tuyaux :              | Tuyaux de 7,50 m sur un dévidoir (brevet en cours)                                               |
| Plus :                | Vidange automatique et système d'amorçage électrique pour la pompe 1200 psi                      |

## TABLE OF CONTENTS

| DESCRIPTION              | PAGE        |
|--------------------------|-------------|
| Base Assy .....          | D-2 - D-3   |
| Holding Tank Assy.....   | D-4 - D-5   |
| Vacuum Tank Assy.....    | D-6 - D-7   |
| Plumbing System.....     | D-8 - D-9   |
| Water Flow Diagram ..... | D-10 - D-11 |

### WHEN ORDERING PARTS

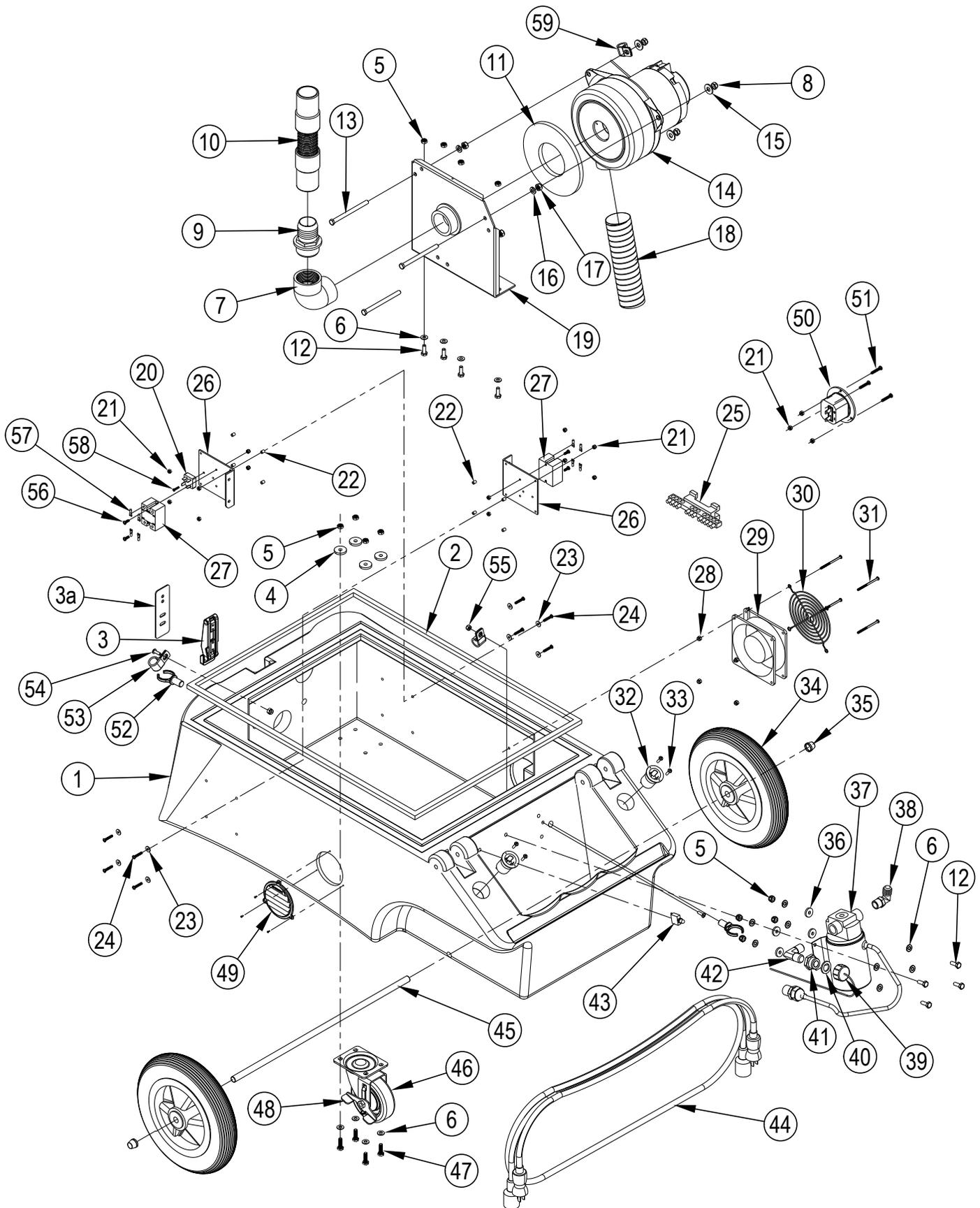
- \* Use the part numbers from the "Ref. No." columns in this parts list. If the "Ref. No." column is blank; look under the "Kit" column to identify which kit contains the part in question, then use the kit callout, for example "K1", to find the "Ref. No." for that kit.

| Kit | Item | Ref. No. | Qty | Description                     |
|-----|------|----------|-----|---------------------------------|
| K1  | 1    |          | 16  | Washer Flat 3/16 Zinc Plat      |
| K1  | 2    |          | 2   | Screw-BHS-Brass-10-32x3/8-MS    |
| K1  | 3    |          | 3   | Washer EPDM 7/32 X 1/8          |
|     | 4    | 805      | 1   | Chain-Cover                     |
|     | 5    | 905      | 2   | Caster Swivel 4 Gray Non MA     |
| K1  | 6    |          | 2   | Nut, Hex Nyl Loc 10-24          |
| K1  | 7    |          | 3   | Scr- Hex SS 1/4-20 X .75        |
| K1  | 8    |          | 16  | Scr, Hex Hd Loc 1/4-20 x .50    |
| K1  | 9    |          | 3   | Wsh, Flt SS .260 X 1.000 X .074 |
|     | 10   | 56113012 | 1   | Solution Tank                   |
|     | 11   | 56113034 | 2   | Hinge Plate                     |
| K1  |      | 56113103 | 1   | Kit-Hardware Solution Tank      |

- \* Specify the model and serial number of the machine.
- \* Use the space below to record the model and serial number for future reference.

Model \_\_\_\_\_ Serial No. \_\_\_\_\_

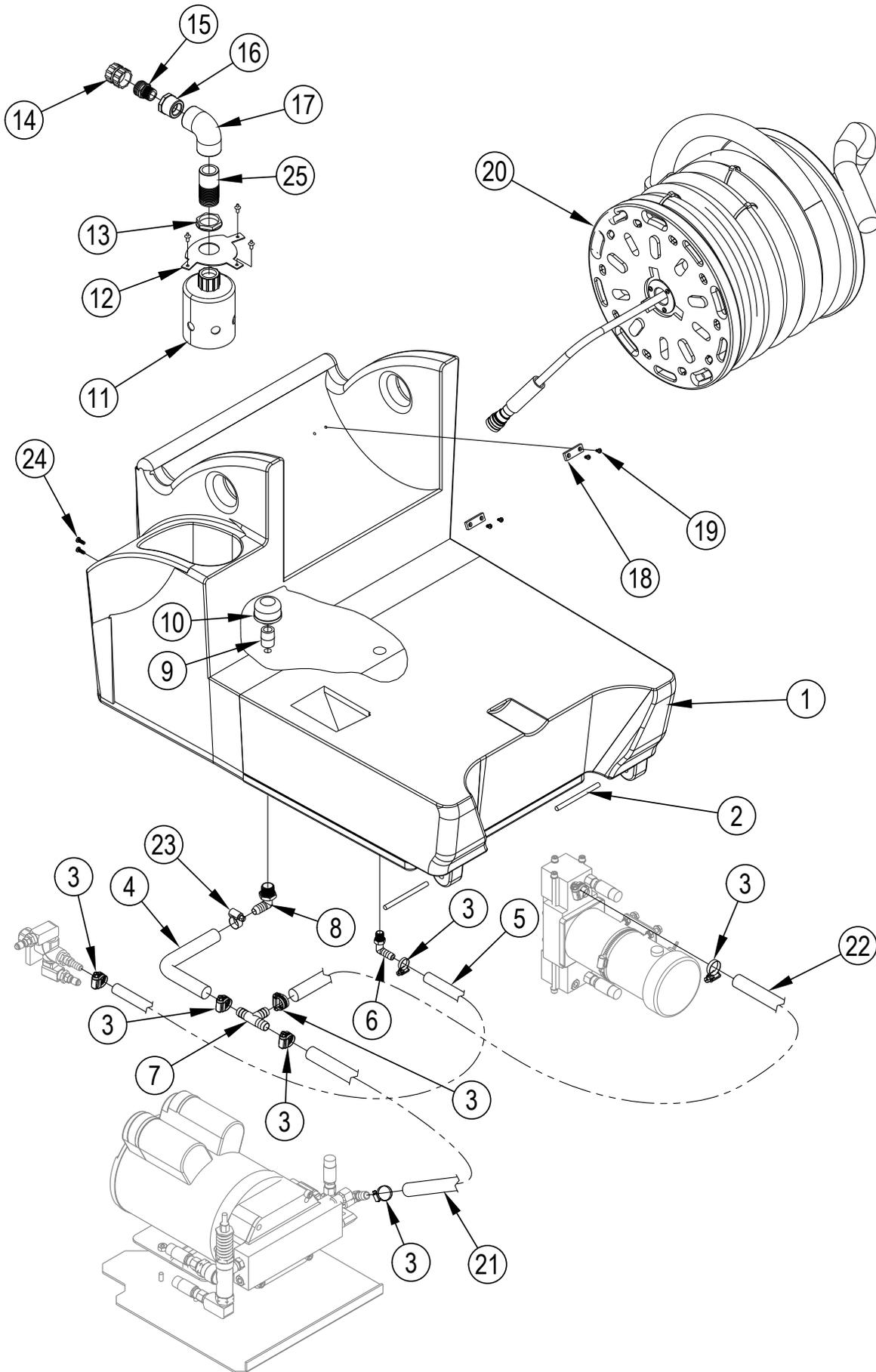
BASE ASSY



## BASE ASSY

| Kit | Item | Ref. No.    | Qty | Description                                      | Kit | Item | Ref. No. | Qty | Description                  |
|-----|------|-------------|-----|--------------------------------------------------|-----|------|----------|-----|------------------------------|
|     | 1    | FP503A      | 1   | Base KC-1200/500 Drill And Hol                   |     | 52   | 1413     | 2   | Clip Single .5 -13 Thread SI |
|     | 2    | 1043A       | 92" | Gasket Poron 3/8 Thick X 7/16                    |     | 53   | 196      | 2   | Clamp For Wire Harness For   |
|     | 3    | 908A        | 1   | Latch & Strike Draw Rubber Ma                    |     | 54   | 21       | 2   | Screw 10-32 X 5/8 Socket     |
|     | 3a   | 2121V       | 1   | Latch Base To Tank Vertical (model 56384897)     |     | 55   | 17       | 2   | Nut Nylon Lock 10/32 Stainl  |
|     | [ ]  | 21C         | 2   | Screw 8-32 X 5/8 Panhead (for 908A or 2121V)     |     | 56   | 325C     | 4   | Bolt 8-32 X 1/2 Pan Head     |
|     | [ ]  | 24          | 2   | Washer Flat Thin 10 Stain (for 908A or 2121V)    |     | 57   | 1285     | 8   | Electrical Connector Fork NY |
|     | [ ]  | 325         | 2   | Nut Nylon Lock 8-32 Stainles (for 908A or 2121V) |     | 58   | 328      | 1   | Screw 4-40 X 5/8 M.S. S/S PA |
|     | [ ]  | 325C        | 2   | Bolt 8-32 X 1/2 Pan Head (for 908A or 2121V)     |     | 59   | 392      | 1   | Hose Clamp 1                 |
|     | 4    | 1033        | 8   | Washer Flat 1/4 Id X 1 Od Zi                     |     | K1   | FP323    | 1   | Vacuum Motor Kit 7.2 3-Stage |
|     | 5    | 8           | 16  | Nut Nylock 1/4 -20 Zinc Pla                      |     | K2   | FP301    | 1   | Fan Kit 56108096             |
|     | 6    | 14          | 20  | Washer Flat 3/16 Zinc Plat                       |     | K3   | FP304    | 2   | Wheel Kit Apc 56108099       |
|     | 7    | 1131        | 1   | Elbow 1 1/2 Mipt X Fiptpvc                       |     | K4   | FP553    | 1   | Hour Meter Assy Machine Upgr |
|     | 8    | 7           | 3   | Nut Nylon Lock 5/16 Jam                          |     |      |          |     |                              |
|     | 9    | 907         | 1   | Hose Barb Fitting Black Abs                      |     |      |          |     | [ ] = Not Shown              |
|     | 10   | 1136        | 1   | Hose Vacuum Clear 1-1/2 X                        |     |      |          |     |                              |
| K1  | 11   | 959USP      | 1   | Gasket Vac-Hhp 6 1/2 X 3 X 1                     |     |      |          |     |                              |
|     | 12   | 5           | 8   | Bolt Hex 1/4-20 X 3/4 Full                       |     |      |          |     |                              |
|     | 13   | 179         | 3   | Bolt 5/16 X 4 Fully Threaded                     |     |      |          |     |                              |
| K1  | 14   |             | 1   | Vacuum Motor 7.2 3- Stage 120                    |     |      |          |     |                              |
|     | 15   | 15          | 3   | Washer Flat 5/16 Zp                              |     |      |          |     |                              |
|     | 16   | 34          | 3   | Washer Split Lock 5/16                           |     |      |          |     |                              |
|     | 17   | 320AB       | 3   | Nut Finished Hex 5/16 Zp                         |     |      |          |     |                              |
|     | 18   | 56113135    | 1   | Vac Hose Rubber 7.75 X 2.0 ID                    |     |      |          |     |                              |
|     | 19   | 926         | 1   | Manifold Vacuum                                  |     |      |          |     |                              |
|     | 20   | 1579        | 1   | Rectifier Bridge 15 Amp 1000                     |     |      |          |     |                              |
|     | 21   | 325         | 12  | Nut Nylon Lock 8-32 Stainless                    |     |      |          |     |                              |
|     | 22   | 1585        | 8   | Spacer 8 Screw .171 Id X .25                     |     |      |          |     |                              |
|     | 23   | 24          | 8   | Washer Flat Thin 10 Stain                        |     |      |          |     |                              |
|     | 24   | 1148        | 8   | Screw 8-32 X 1 Panhead P                         |     |      |          |     |                              |
|     | 25   | 2111        | 1   | Terminal Block Ground Bar 12 (model 56384897)    |     |      |          |     |                              |
|     | 26   | 2025        | 2   | Heat Sink Plate Auto Vac Shu                     |     |      |          |     |                              |
|     | 27   | 4405A       | 2   | Relay 25 Amp 120/240v Dble                       |     |      |          |     |                              |
|     | 28   | 16          | 4   | Nut Nylon Lock 6/32 Z.P.                         |     |      |          |     |                              |
| K2  | 29   |             | 1   | Fan 4 100cfm 120 Volt Equip                      |     |      |          |     |                              |
| K2  | 30   |             | 1   | Fan Guard For The 4 Fan                          |     |      |          |     |                              |
|     | 31   | 2B1         | 4   | Screw 6-32 X 2-1/4 Phillips                      |     |      |          |     |                              |
|     | 32   | 1062        | 2   | Electrical Inlet Twist Lock Ne                   |     |      |          |     |                              |
|     | 33   | 376         | 4   | Screw Tapping 8 X 5/8 Ab Pan                     |     |      |          |     |                              |
| K3  | 34   |             | 2   | Wheel 10 Grey Precision Bea                      |     |      |          |     |                              |
| K3  | 35   | 27AUSP      | 2   | Axel Cap Black Pal Nut                           |     |      |          |     |                              |
|     | 36   | 218         | 4   | Washer Rubber 1/4 Id X 3/4                       |     |      |          |     |                              |
|     | 37   | 957         | 1   | Pump/Dump Pump 115v Self Pri                     |     |      |          |     |                              |
|     | [ ]  | 230A        | 1   | Lock Nut Nylon For Cord Retai (for 957)          |     |      |          |     |                              |
|     | [ ]  | 1330        | 1   | Washer 1/8 Silicone 1.07 X . (for 957)           |     |      |          |     |                              |
|     | [ ]  | 230USP      | 1   | Retainer Power Cord Water T (for 957)            |     |      |          |     |                              |
|     | [ ]  | 957A        | 1   | Repair Kit For Auto Dump Pump (for 957)          |     |      |          |     |                              |
|     | 38   | 56380688    | 1   | Hose Barb/Elbow 90 Deg Nyl 1/2                   |     |      |          |     |                              |
|     | 39   | 237         | 1   | Cap For Hose Fitting With Ch                     |     |      |          |     |                              |
|     | 40   | 237A        | 1   | Washer Rubber 1 X 5/8 Id X                       |     |      |          |     |                              |
|     | 41   | 1324        | 1   | Adaptor Brass 3/8 Fpt X 3/4 M                    |     |      |          |     |                              |
|     | 42   | 1325        | 1   | Elbow 3/8 Male X 3/8 Male                        |     |      |          |     |                              |
|     | 43   | 2110        | 1   | Circuit Breaker 15 Amp Ther (model 56384897)     |     |      |          |     |                              |
|     | 44   | 1057B       | 2   | Power Cord 12/3 Sjt 25 Y                         |     |      |          |     |                              |
|     | 45   | 910-2075    | 1   | Axel Rod Zinc Plated 1/2 Ro                      |     |      |          |     |                              |
|     | 46   | 905USP      | 2   | Caster Swivel 4 Gray Non Ma                      |     |      |          |     |                              |
|     | 47   | 1472        | 8   | Bolt 1/4-20 X 7/8 Full Threa                     |     |      |          |     |                              |
|     | 48   | 905A        | 2   | Brake Kit For 4 Caster 905                       |     |      |          |     |                              |
|     | 49   | SUB928      | 3   | Louver 3 Grey Plastic Include                    |     |      |          |     |                              |
| K4  | 50   | 423-120-240 | 1   | Hour Meter 115/230 Volts (optional)              |     |      |          |     |                              |
| K4  | 51   | 1438        | 3   | Screw 8-32 X 3/4 Pan Hd Phi (optional)           |     |      |          |     |                              |

HOLDING TANK ASSY

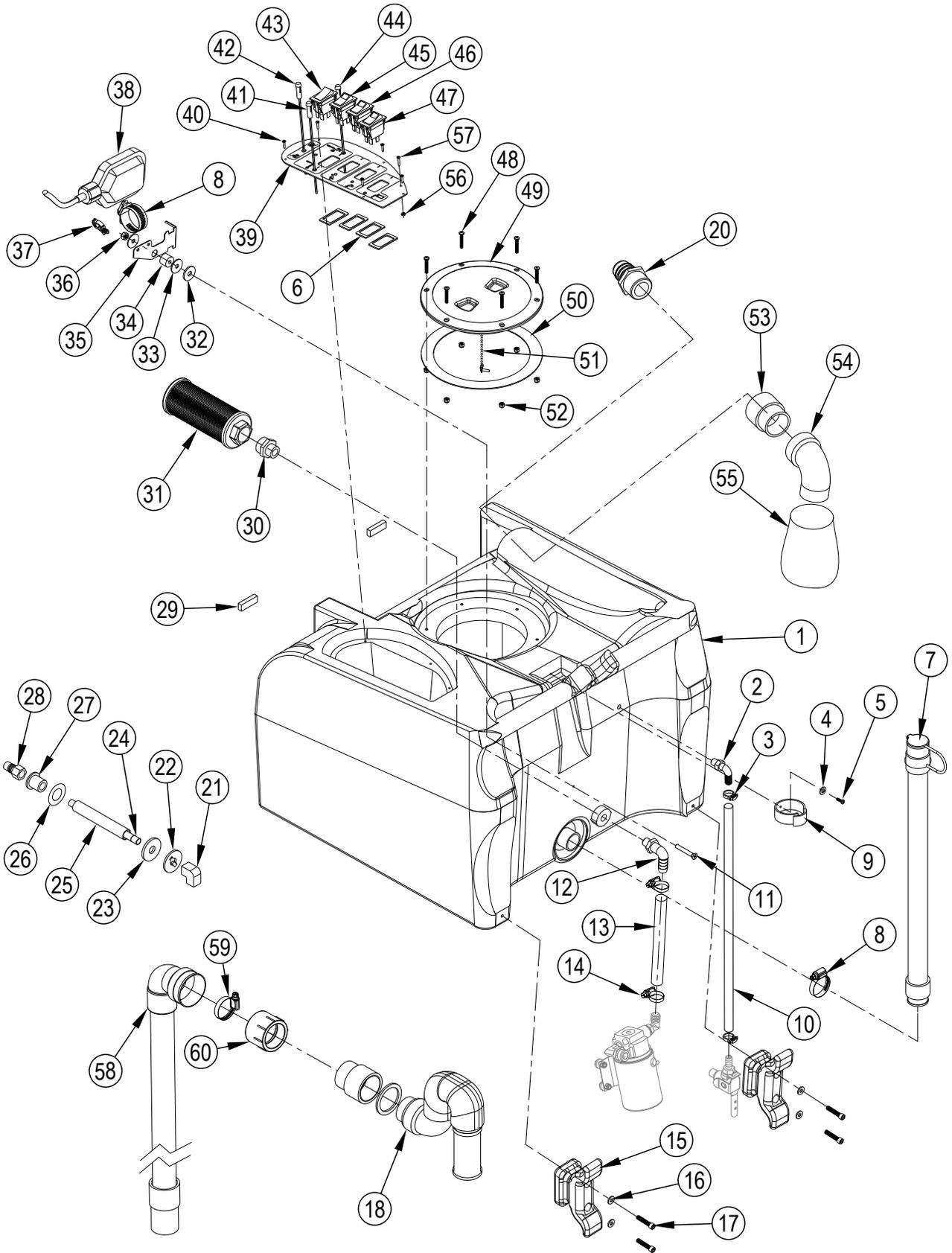


## HOLDING TANK ASSY

| Kit | Item | Ref. No. | Qty  | Description                                      |
|-----|------|----------|------|--------------------------------------------------|
|     | 1    | 56384989 | 1    | Holding Tank                                     |
|     | 2    | 801B     | 2    | Hinge Pin Rod S/S 9/32 X                         |
|     | 3    | 166USP   | 6    | Hose Clamp 3/8-7/8                               |
|     | 4    | 1550     | 7.5" | Hose 1/2 Id Wire Reinforced                      |
|     | 5    | 925      | 25"  | Hose 3/8 Id 0.688 Od Red                         |
|     |      | 1115     | 1    | Hose Barb Nylon White 90 Deg                     |
|     | 7    | 1553     | 1    | Tee Hose Barb 1/2 Hb X 1/2 Hb                    |
|     | 8    | 1113     | 1    | Hose Barb 90 Degree 1/2 Hos                      |
|     | 9    | 92BUSP   | 1    | Nipple Pvc 1/2 N.P.T.                            |
|     | 10   | 207a     | 1    | Filter 40 Mesh S/S 1/2npt Fem                    |
|     | 11   | 1310A    | 1    | Valve Shut-Off For Autofill                      |
|     | 12   | 1320A    | 1    | Bracket Auto Fill Valve Kcs                      |
|     | 13   | 2170     | 1    | Locknut 1 Npt Black Nylon                        |
|     | 14   | 1184     | 1    | Adaptor Garden Hose Brass S                      |
|     | 15   | 1533     | 1    | Adaptor Male To Male For Gar                     |
|     | 16   | 56383673 | 1    | Bushing-1SOC-1/2FPT-SCH40-PVC                    |
|     | 17   | 56383672 | 1    | Elbow-1SOC-1SOC-SCH40-PVC                        |
| K1  | 18   |          | 2    | Strips 1/2 W X 1-1/2 L X 3                       |
| K1  | 19   |          | 4    | Screw Hi-Lo 6 X 1/4 Panhead <b>(for item 18)</b> |
|     | 20   | FP414    | 1    | Hose Reel Assembly Kc-1200 Co                    |
|     | [ ]  | FP350A   | 1    | Hose Vac W/ Swivel 25 Rep                        |
|     | [ ]  | FP469    | 1    | Hose Assy Solution W/Swivel                      |
|     | [ ]  | FP499    | 1    | Pressure Line 25 Ft Complete                     |
|     | 21   | 56396513 | 1    | Hose Spiral E00604                               |
|     | 22   | 56263561 | 1    | Hose E00604                                      |
|     | 23   | 56219932 | 1    | Clamp- Hose SAE #6                               |
|     | 24   | 325C     | 2    | Bolt 8-32 x 1/2 Pan Head                         |
|     | 25   | 56383671 | 1    | Pipe Nipple-Half                                 |
|     | K1   | FP342    | 1    | Teflon Glides Kit 8ea.& Screws                   |

[ ] = Not Shown

VACUUM TANK ASSY

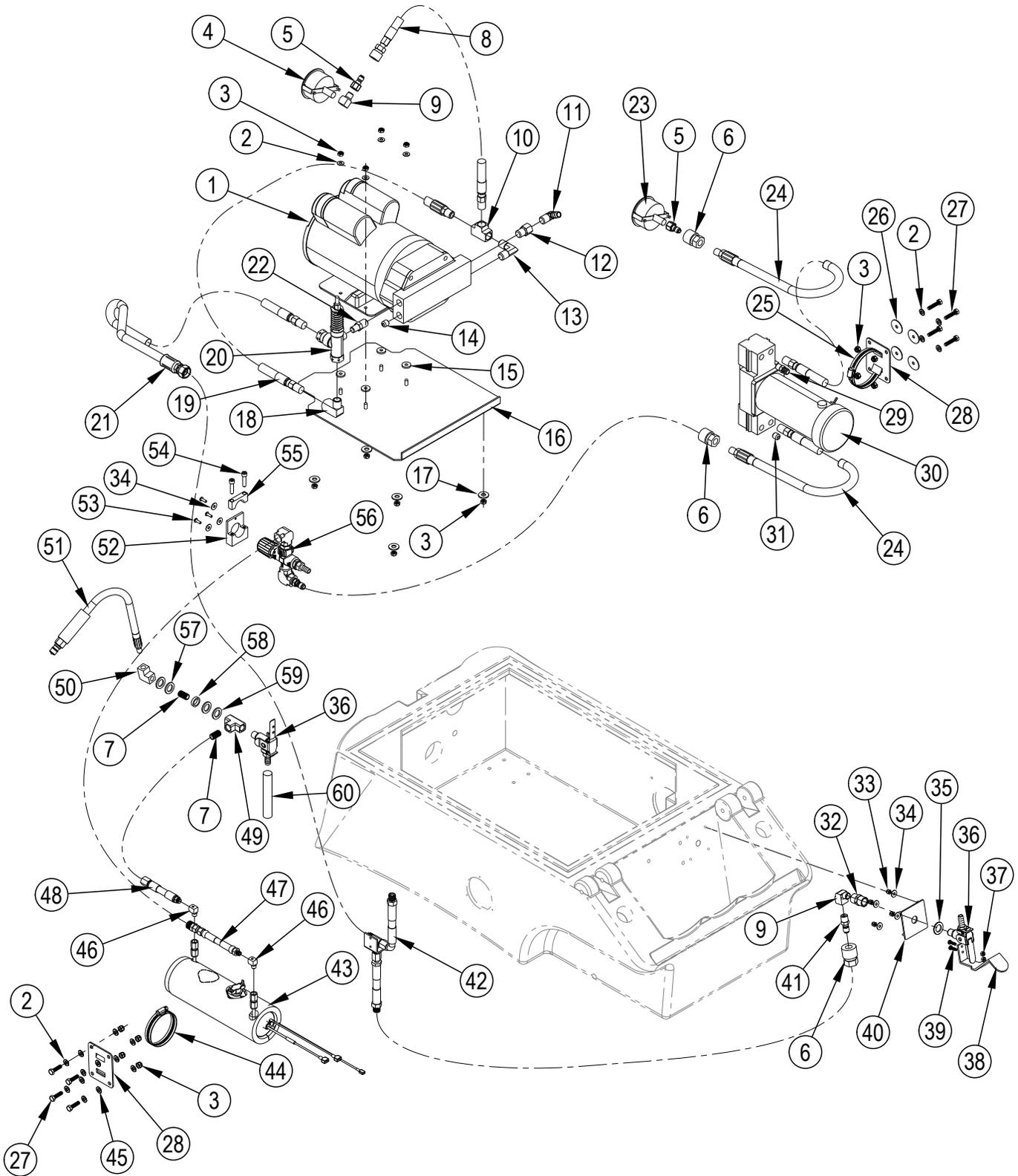


## VACUUM TANK ASSY

| Kit | Item | Ref. No. | Qty   | Description                                     | Kit | Item     | Ref. No. | Qty                              | Description |
|-----|------|----------|-------|-------------------------------------------------|-----|----------|----------|----------------------------------|-------------|
|     | 1    | 56384991 | 1     | Vac Tank KC 1200 White                          | 58  | 56383476 | 1        | Hose-Vacuum-1.5 x 18             |             |
|     | 2    | 1115     | 1     | Hose Barb Nylon White 90 Deg                    | 59  | 156USP   | 1        | Hose Clamp-size 28-1-9/16- 2 1/2 |             |
|     | 3    | 1401     | 2     | Clamp Black Nylon 7                             | 60  | 1528     | 1        | Adapter Female 1 1/2             |             |
|     | 4    | 26       | 1     | Washer Backup For 3/16 Rive                     | K1  | FP388    | 1        | Cord Wraps Black Kc 2 Each W/    |             |
|     | 5    | 267      | 1     | Screw 6 X 1/2 S.M.S. S/S                        | K2  | FP342    | 1        | Teflon Glides Kit 8ea.& Screws   |             |
|     | 6    | 56382685 | 4     | Locking Spacer Switch Aluminum                  | K3  | 56113100 | 1        | Lid Kit-Recovery Tank            |             |
|     | 7    | 56381647 | 1     | Drain Hose                                      | K4  | FP512    | 1        | Heat Exch. Comp 120v KC1200 Pr   |             |
|     | 8    | 1518     | 1     | Hose Clamp 3/4 X 1 3/4 SS                       |     |          |          |                                  |             |
|     | 9    | 1130     | 1     | Strap Velcro 1.0 X 11 Bla                       |     |          |          |                                  |             |
|     | 10   | 1309     | 21.5" | Tubing .50 O.D. X .375 I.D                      |     |          |          |                                  |             |
|     | 11   | 1344     | 1     | Screw 1/4-20 X 1-3/4 S/S                        |     |          |          |                                  |             |
|     | 12   | 1113     | 1     | Hose Barb 90 Degree 1/2 Hos                     |     |          |          |                                  |             |
|     | 13   | 946A     | 10"   | Hose 1/2 500 Psi Yellow                         |     |          |          |                                  |             |
|     | 14   | 166USP   | 2     | Hose Clamp 3/8-7/8                              |     |          |          |                                  |             |
| K1  | 15   |          | 2     | Cord Wrap King Cobra Black                      |     |          |          |                                  |             |
| K1  | 16   |          | 4     | Washer 1/4 An S/S Flat .515                     |     |          |          |                                  |             |
| K1  | 17   |          | 4     | Screw 1/4-20 X 1 Allen Head S                   |     |          |          |                                  |             |
|     | 18   | FP364    | 1     | Ball Float & Manifold Assy Kc                   |     |          |          |                                  |             |
|     | 20   | 907      | 1     | Hose Barb Fitting Black Abs                     |     |          |          |                                  |             |
|     | 21   | 1280     | 1     | Elbow 90 Deg 1/4 Fpt X 1/4 F                    |     |          |          |                                  |             |
| K4  | 22   | 1141     | 1     | Washer Custom Stainless Steel                   |     |          |          |                                  |             |
| K4  | 23   | 1142     | 1     | Washer Epdm Rubber 1/8 X                        |     |          |          |                                  |             |
| K4  | 24   | 1146     | 1     | Nipple S/S 1/4 Pipe X 6.8-                      |     |          |          |                                  |             |
| K4  | 25   | 1144A    | 5"    | Tubing Santoprene 5/8 Id X                      |     |          |          |                                  |             |
| K4  | 26   | 1281     | 1     | Label 1200 Psi Doughnut .030                    |     |          |          |                                  |             |
| K4  | 27   | 1143     | 1     | Insulator Flanged Acetal Bla                    |     |          |          |                                  |             |
| K4  | 28   | 45USP    | 1     | Quick Disconnect Plug Male                      |     |          |          |                                  |             |
| K2  | 29   |          | 2     | Strips 1/2 W X 1-1/2 L X 3                      |     |          |          |                                  |             |
| K2  | [ ]  |          | 4     | Screw 6-32 X 1/4 Panhead M.S (for 1088)         |     |          |          |                                  |             |
|     | 30   | 1247     | 1     | Nipple Reducer Nylon 3/4 Mpt                    |     |          |          |                                  |             |
|     | 31   | 2069A    | 1     | Filter Inlet 10 Mesh 3/4                        |     |          |          |                                  |             |
|     | 32   | 290      | 1     | Washer Epdm 7/32 X 1/8                          |     |          |          |                                  |             |
|     | 33   | 1345     | 2     | Washer 1/4 I.D. 1 O.D. F                        |     |          |          |                                  |             |
|     | 34   | 1349     | 1     | Bushing Spacer For Float Arm                    |     |          |          |                                  |             |
|     | 35   | 1350     | 1     | Bracket Float Pivot Bracket                     |     |          |          |                                  |             |
|     | 36   | 1346     | 1     | Nut 1/4-20 Nylock Stainless                     |     |          |          |                                  |             |
|     | 37   | 1347     | 1     | Clamp Snap In Nylon Fin Cli                     |     |          |          |                                  |             |
|     | 38   | 2068     | 1     | Float Switch 90 Deg. Flood Pu                   |     |          |          |                                  |             |
|     | 39   | 1303     | 1     | Switch Plate For Kc-1200 & Kc                   |     |          |          |                                  |             |
|     | 40   | 28       | 5     | Screw 4 X 3/8 Panhead Phill                     |     |          |          |                                  |             |
|     | 41   | 78BUSP   | 1     | Light Red Small 110v Steam (heat)               |     |          |          |                                  |             |
|     | 42   | 78       | 1     | Light Green Small 110v Stea (pump)              |     |          |          |                                  |             |
|     | 43   | 56381823 | 1     | Switch Rocker Dpdt On-Off-On (pump or heat)     |     |          |          |                                  |             |
|     | 44   | 227      | 1     | Light Green 250v Small Neon (circuit indicator) |     |          |          |                                  |             |
|     | 45   | 56381822 | 1     | Switch Rocker Dpst W/L (vacuum)                 |     |          |          |                                  |             |
|     | 46   | 56381822 | 1     | Switch Rocker Dpst W/L (500psi pump)            |     |          |          |                                  |             |
|     | 47   | 56381822 | 1     | Switch Rocker Dpst W/L (dump pump)              |     |          |          |                                  |             |
| K3  | 48   |          | 6     | Screw 8-32 X 1-1/8 Long P                       |     |          |          |                                  |             |
| K3  | 49   |          | 1     | Lid-Clear With Ring                             |     |          |          |                                  |             |
| K3  | 50   |          | 1     | Gasket For Round Lid 2086                       |     |          |          |                                  |             |
| K3  | 51   |          | 1     | Chain 8 W/ D Couplings Both E                   |     |          |          |                                  |             |
| K3  | 52   |          | 6     | Nut Nylon Lock 8-32 Stainless                   |     |          |          |                                  |             |
|     | 53   | 1137     | 1     | Adaptor Abs 1-1/2 Cleanout                      |     |          |          |                                  |             |
|     | 54   | 1140     | 1     | Elbow 90 Degree Abs 1-1/2 S                     |     |          |          |                                  |             |
|     | 55   | 2088     | 1     | Strainer Bag Vac Inlet Flood                    |     |          |          |                                  |             |
|     | 56   | 316      | 1     | Nut Nylon Locking 4-40 Zinc                     |     |          |          |                                  |             |
|     | 57   | 328      | 1     | Screw 4-40 x 5/8 M.S. S/S PA                    |     |          |          |                                  |             |

[ ] = Not Shown

PLUMBING SYSTEM

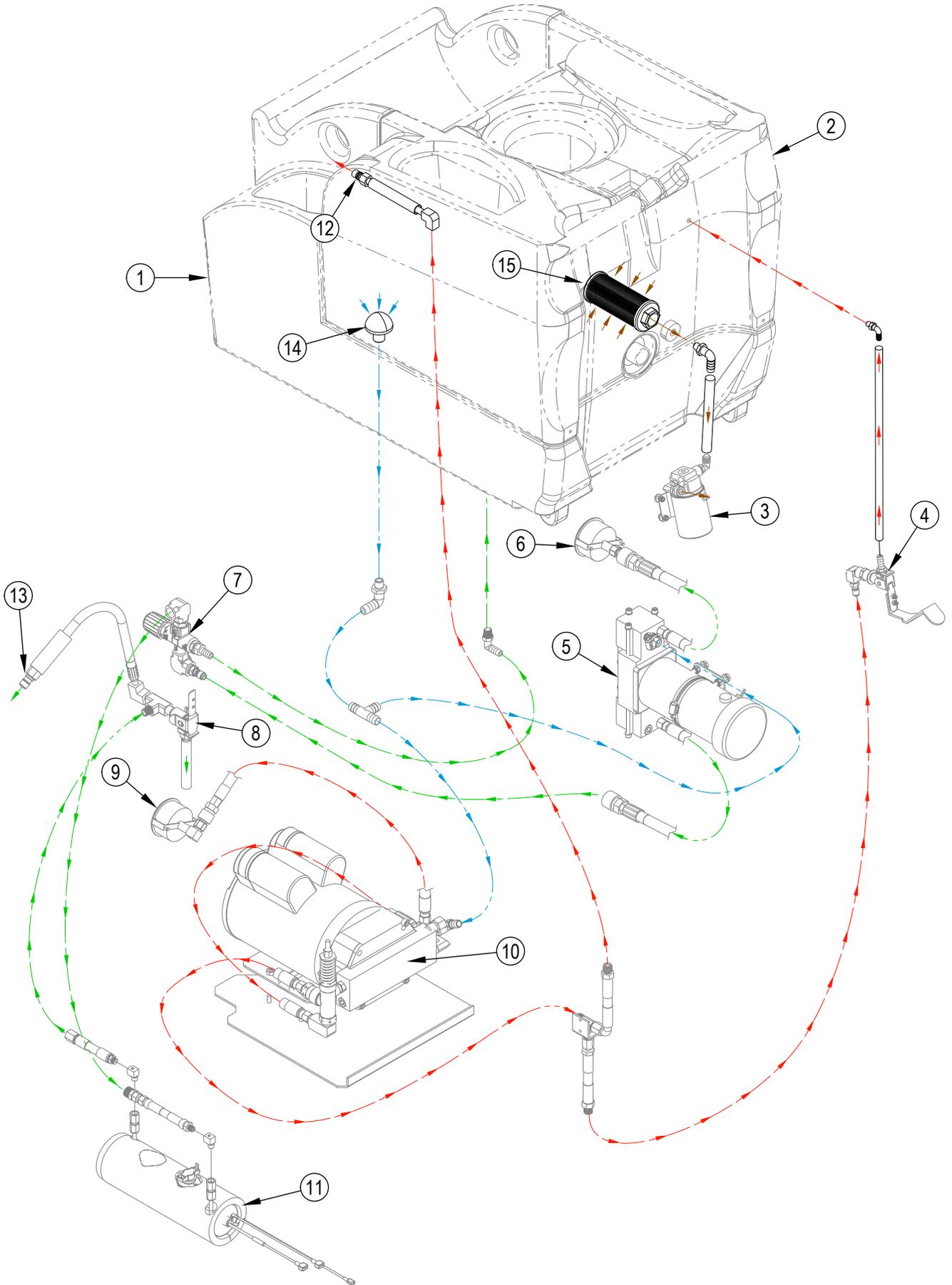


## PLUMBING SYSTEM

| Kit      | Item | Ref. No. | Qty | Description                                   | Kit | Item     | Ref. No. | Qty                                   | Description |
|----------|------|----------|-----|-----------------------------------------------|-----|----------|----------|---------------------------------------|-------------|
| K5       | 1    | 56382800 | 1   | Pump & Motor 1200 120v/230v                   | 36  | 1164     | 2        | Valve Power Prime Kc-1200             |             |
|          | [ ]  | FP636    | 1   | Motor For 1200 PSI Pump AC (for 56382800)     | 37  | 324      | 2        | Nut Keps 8-32 S/S                     |             |
|          | [ ]  | 56382801 | 1   | Pump 1200 W/Cam & Brgs & Hoses (for 56382800) | 38  | 1299     | 1        | Pedal Power Prime Valve               |             |
| K2       | [ ]  | 1161     | 1   | Bearing & Cam .190 For 1200 Ps (for 56382800) | 39  | 21C      | 2        | Screw 8-32 X 5/8 Panhead              |             |
|          | [ ]  | 1160A    | 1   | Rebuild Kit Plunger/Seals 120 (for 56382800)  | 40  | 938      | 1        | Bracket Power Prime Valve             |             |
|          | [ ]  | 1160K    | 1   | Rebuild Kit Valves & O-Rings (for 56382800)   | 41  | 221USP   | 1        | Quick Connect Plug Brass 1/           |             |
|          | 2    | 14       | 12  | Washer Flat 3/16 Zinc Plated                  | 42  | 1530     | 1        | Hose Assembly T For 1200s             |             |
|          | 3    | 8        | 17  | Nut Nylock 1/4 -20 Zinc Plated                | 43  | FP512    | 1        | Heat Exch. Comp 120v Kc1200 Pr        |             |
| K1       | 4    | 2166     | 1   | Gauge Pressure 2000 PSI 2-1                   | [ ] | FP256    | 1        | Repair Kit Heat Bi-Metallic           |             |
| K1       | [ ]  | 56003873 | 2   | Nut-Hex Flange SS M4-0.7 (for 2166)           | 44  | 76A      | 1        | Hose Clamp SS 1-13/16 X 2-3/4         |             |
| K1       | 5    | 219USP   | 2   | Quick Connect Brass 1/4 FPT                   | 45  | 233      | 16       | Washer Nylon Black 1/4 Id             |             |
| K3,K4,K5 | 6    | 220      | 3   | Quick Connect Brass 1/4 FPT                   | 46  | 103USP   | 2        | Elbow 90 Deg 1/8 X 1/8 P Brass        |             |
| K5       | 7    | 92AUSP   | 2   | Nipple Stainless Steel 1/4 Pip                | 47  | 1581A    | 1        | Hose Assy Swivel 48f To 4-6 M         |             |
|          | 8    | FP420    | 1   | Hose Assembly Pump To Gauge                   | 48  | 1278A    | 1        | Hose Hydraulic 20 Total Le            |             |
| K1       | 9    | 216      | 2   | Elbow 1/4 Street 90 Deg. Br                   | 49  | 168      | 1        | Tee Brass 1/4 Pipe                    |             |
| K2       | 10   | 1405     | 1   | Tee 3/8 Brass Female                          | 50  | 1280     | 1        | Elbow 90 Deg 1/4 Fpt X 1/4 F          |             |
| K2       | 11   | 1160C    | 1   | Hose Barb 90 Elbow 3/8 Male                   | 51  | FP416    | 1        | Hose Assy Low Pressure Solution       |             |
| K2       | 12   | 236      | 1   | Adapter 3/8 Pipe Female X 3/8                 | [ ] | 1413     | 1        | Clip Single .5 -13 Thread Si          |             |
| K2       | 13   | 1325     | 1   | Elbow 3/8 Male X 3/8 Male                     | 52  | 1554     | 1        | Mount Plate For Unloader Valve        |             |
| K2       | 14   | 211A     | 1   | Brass Plug 3/8 Pipe Hex Drive                 | 53  | 325C     | 3        | Bolt 8-32 X 1/2 Pan Head              |             |
|          | 15   | 218      | 4   | Washer Rubber 1/4 Id X 3/4                    | 54  | 803      | 2        | Screw 1/4-20 X 1 Allen Head S         |             |
|          | 16   | 1158     | 1   | Plate Mounting Aluminum W/                    | 55  | 1555     | 1        | Clamp Unloader Valve To Mount         |             |
|          | 17   | 15       | 5   | Washer Flat 5/16 Zp                           | 56  | FP509    | 1        | Unloader Complete 500 Psi For         |             |
| K2       | 18   | 1515     | 1   | Elbow 3/8 NPTF X 3/8 NPTM                     | 57  | 115USP   | 2        | Washer Fibre 1x9/16x1/16              |             |
|          | 19   | 56382804 | 1   | Hose Assy-Pulse 1600 PSI 32                   | 58  | 116A     | 1        | Bushing 3/4 X 9/16                    |             |
| K2       | 20   | 56383135 | 1   | Unloader Valve 1200PSI KC                     | 59  | 31USP    | 2        | Washer Brass Half Hard 1 X            |             |
|          | 21   | 56382802 | 1   | Hose Assy-Pulse 1600 PSI 32                   | 60  | 56382564 | 1        | Hose-PVC                              |             |
| K2       | 22   | 1160B    | 1   | Nipple Reducing 3/8 Male X 1                  | [ ] | SUBSYP1  | 1        | Syphon Hose for HHP-12 (priming hose) |             |
|          | 23   | 2165     | 1   | Gauge Pressure 1000 Psi 2-                    | K1  | FP374    | 1        | Gauge Assembly Complete 2000          |             |
| K3,K4    | 24   | 1506     | 2   | Hose Assembly 21 X 1/4 MPT                    | K2  | FP372A   | 1        | Pump Complete no Motor KC-120         |             |
|          | 25   | 198USP   | 1   | Hose Clamp 48 3-1/2dia 9                      | K3  | FP508    | 1        | Pump & Motor Complete 500 Psi         |             |
|          | 26   | 218      | 4   | Washer Rubber 1/4 Id X 3/4                    | K4  | FP507    | 1        | Pump Complete 500 Psi For KC-1200-500 |             |
|          | 27   | 4        | 8   | Bolt Hex 1/4-20 X 1 Full                      | K5  | FP373    | 1        | Pump & Motor Complete 1200 PSI        |             |
|          | 28   | 455USP   | 2   | Mount Heat Exchanger                          |     |          |          |                                       |             |
| K3,K4    | 29   | 165      | 1   | Hose Barb 1/4 Pipe X 1/2 Hose.                |     |          |          |                                       |             |
| K3       | 30   | 1582     | 1   | Motor Dc 120v500 Psi Tefc                     |     |          |          |                                       |             |
| K3,K4    | [ ]  | 950F     | 1   | Pump Piston Style 300-500 Ps                  |     |          |          |                                       |             |
| K3,K4    | [ ]  | 950D     | 1   | Bearing & Cam Assembly Size.0                 |     |          |          |                                       |             |
| K3,K4    | 31   | 211      | 1   | Plug Brass Pipe 1/4 Pipe H                    |     |          |          |                                       |             |
|          | 32   | 56380689 | 1   | Coupling 1/4 Hex NPT Brass                    |     |          |          |                                       |             |
|          | 33   | 16       | 4   | Nut Nylon Lock 6/32 Z.P.                      |     |          |          |                                       |             |
|          | 34   | 24       | 7   | Washer Flat Thin 10 SS                        |     |          |          |                                       |             |
|          | 35   | 31USP    | 1   | Washer Brass Half Hard 1 X                    |     |          |          |                                       |             |

[ ] = Not Shown

WATER FLOW DIAGRAM



**WATER FLOW DIAGRAM****BLUE = FRESH WATER****GREEN = 500PSI WATER FLOW****RED = 1200PSI WATER FLOW****BROWN = DIRTY WATER DUMP FLOW**

| Item | Ref. No. | Qty | Description                  |
|------|----------|-----|------------------------------|
| 1    |          |     | Holding Tank                 |
| 2    |          |     | Vacuum Tank                  |
| 3    |          |     | Dump Pump                    |
| 4    |          |     | Power Prime Valve            |
| 5    |          |     | 500PSI Pump                  |
| 6    |          |     | 500PSI Gauge                 |
| 7    |          |     | Unloader Valve               |
| 8    |          |     | 500PSI Pressure Relief Valve |
| 9    |          |     | 1200PSI Gauge                |
| 10   |          |     | 1200PSI Pump                 |
| 11   |          |     | Heat Exchanger               |
| 12   |          |     | 1200PSI Quick Connect        |
| 13   |          |     | 500PSI Quick Connect         |
| 14   |          |     | Fresh Water Inlet Filter     |
| 15   |          |     | Dump Pump Inlet Filter       |







800.426.1301 / 425.775.7272  
11015 - 47th Avenue West / Mukilteo, WA 98275

[www.hydramaster.com](http://www.hydramaster.com)