

Minuteman[®]



Parts Manual

Kleen Sweep 25W Sweeper

Introduction

FOR SAFETY WHEN SERVICING or MAINTAINING MACHINE:

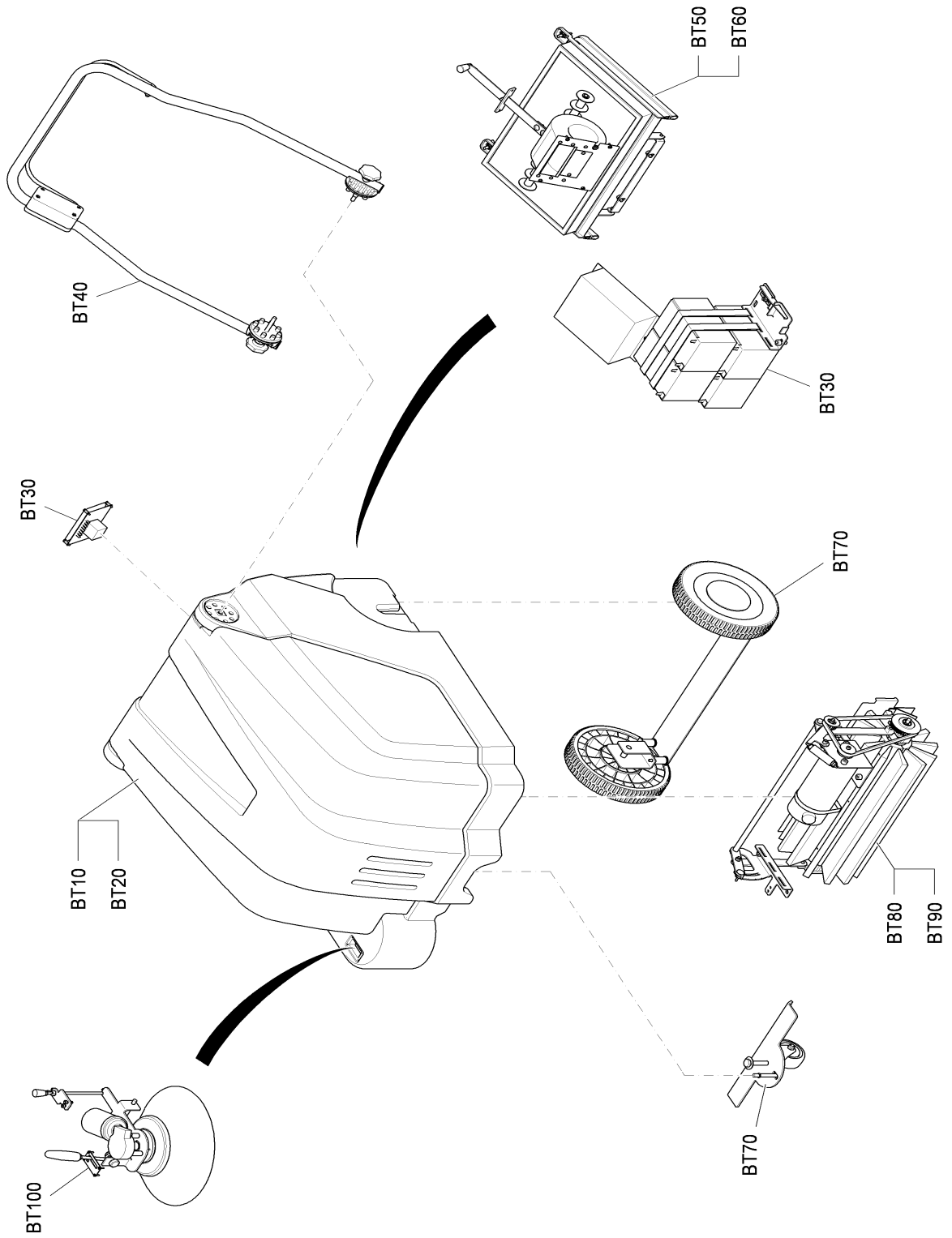
- Stop on level surface.
- Disconnect the power to the machine when charging batteries or during installation or removal of brushes.
- Avoid moving parts. Do not wear loose jackets, shirts, or sleeves when working on machine.
- Avoid contact with battery acid. Battery acid can cause burns. When working on or around batteries, wear protective clothing and safety glasses. Remove metal jewelry. Do not lay tools or metal objects on top of batteries.
- Charging batteries generates explosive gasses. **Do not charge batteries when open flames or sparks are present. Do not smoke.** Make sure the charger is turned off before disconnecting it from the machine. Charge the batteries in a well-ventilated area with the battery cover removed completely.
- Do not clean machine with a pressure washer.
- Authorized personnel must perform repairs and maintenance. Use Minuteman supplied replacement parts.

Proper Use

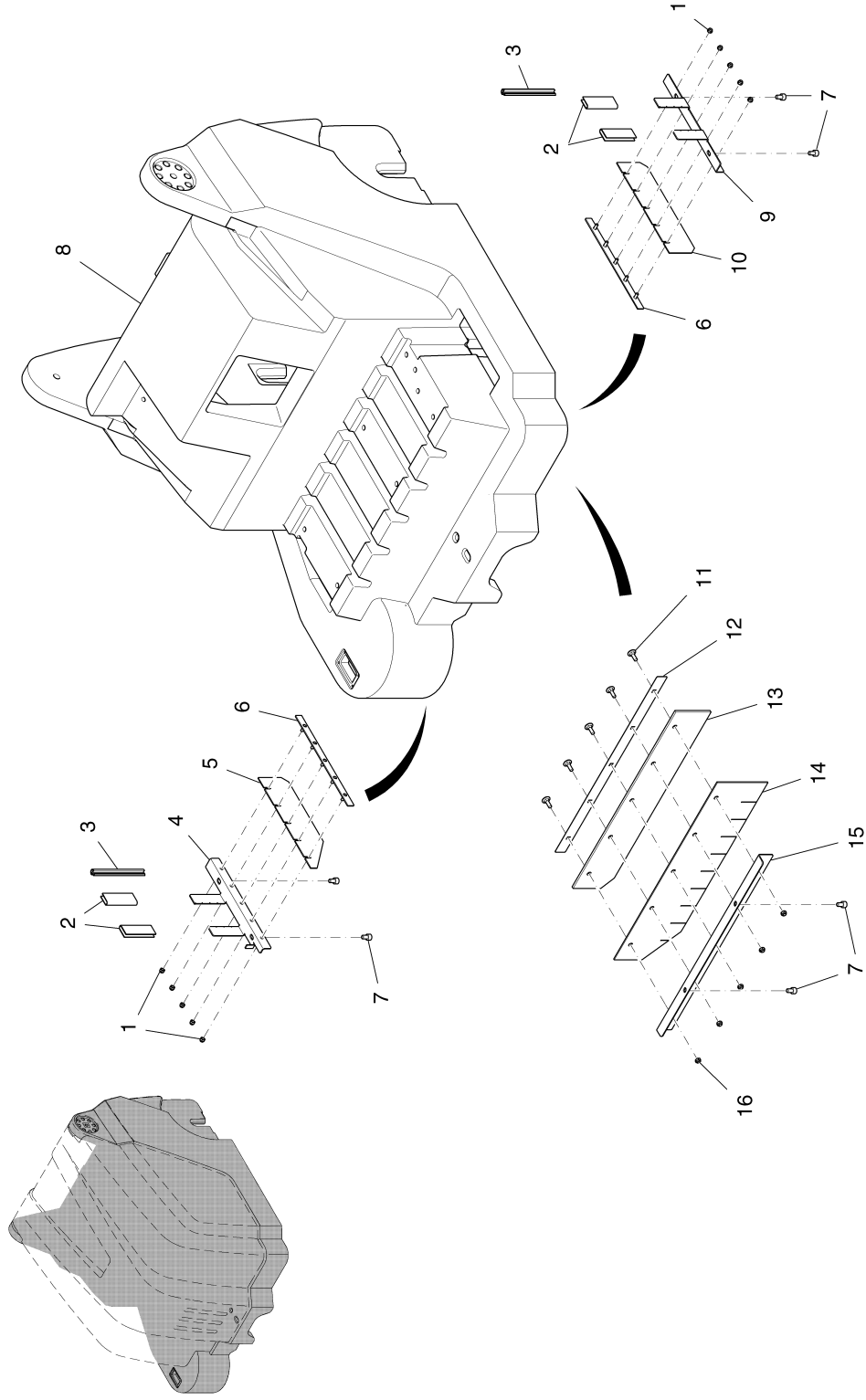
The Kleen Sweep 25W vacuum sweeper has been designed exclusively for sweeping floor surfaces, including production facilities, warehouses, parking areas, and pedestrian areas, to collect dry and moist matter. Whatever sort of use beyond the specified range will be deemed improper use; the manufacturer cannot be held liable for consequential damage. The term of proper use also includes compliance with the manufacturer's instructions about operation, maintenance and repair. The Kleen Sweep 25W may be used, serviced and repaired by persons only that are familiar with the machine and are aware of possible hazards.

Table of Contents

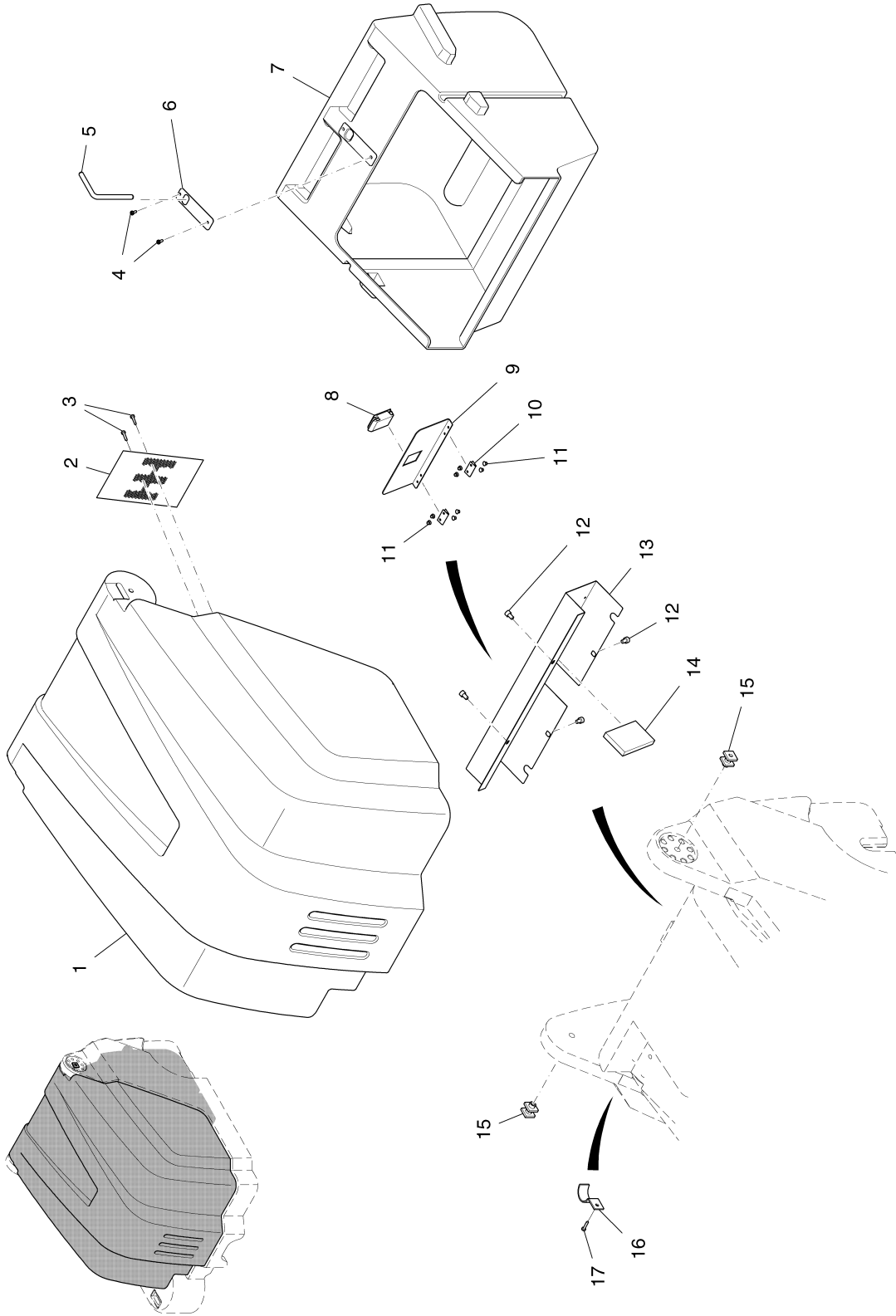
General View	1
General View BOM	2
Mainframe Part 1	3
Mainframe Part 1 BOM	4
Mainframe Part 2	5
Mainframe Part 2 BOM	6
Electrical System	7
Electrical System BOM	8
Handle Assembly	9
Handle Assembly BOM	10
Filter System Part 1	11
Filter System Part 1 BOM	12
Filter System Part 2	13
Filter System Part 2 BOM	14
Chasis Assembly	15
Chasis Assembly BOM	16
Brush Assembly	17
Brush Assembly BOM	18
Sweep Roller System Part 1	19
Sweep Roller System Part 2	20
Side Brush Assembly	21
Side Brush Assembly BOM	22
Side Brush Arm Assembly	23
Side Brush Arm Assembly BOM	24
Warrenty Page	25



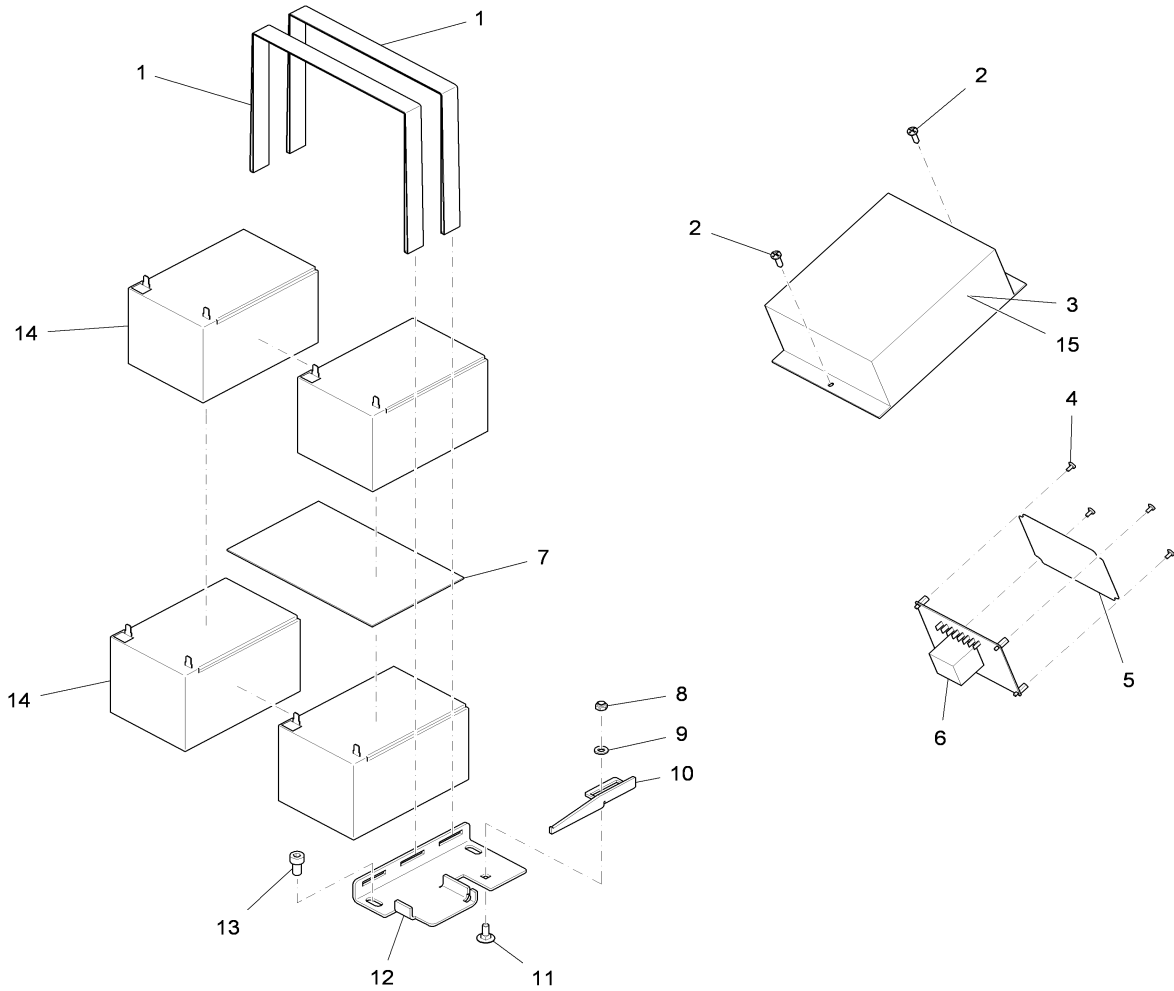
Kleen Sweep 25W (99625821) Rev.00 02/24/09				
99625821BT01				
Item	Part Number	Description	Qty.	Notes
BT10	99625820BT10	Frame - Covering part 1		
BT20	99625821BT20	Frame - Covering part 2		
BT30	99625821BT30	Electric system		
BT40	99625820BT40	Steering handle		
BT50	99625820BT50	Filter system part 1		
BT60	99625820BT60	Filter system part 2		
BT70	99625820BT70	Chassis		
BT80	99625820BT80	Sweep roller with travel drive part 1		
BT90	99625820BT90	Sweep roller with travel drive part 2		
BT100	99625820BT100	Side brush with drive		



Kleen Sweep 25W (99625821) Rev.00 02/24/09				
99625821BT10				
Item	Part Number	Description	Qty.	Notes
1	00133830	Hex. Nut	10	
2	01176630	Rest rubber	4	
3	01175910	Sealing profile	2	
4	01175980	Angle plate R.H.	1	
5	01176000	Rubber plate R.H.	1	
6	XXXXXXXX	no part-No. til yet	2	
7	XXXXXXXX	no part-No. til yet	6	
8	01175900	Frame grey	1	
9	01175970	Angle plate L.H.	1	
10	01175990	Rubber plate L.H.	1	
11	XXXXXXXX	no part-No. til yet	5	
12	01176040	Retainer	1	
13	01176050	Rubber plate front	1	
14	01176030	Rubber lip	1	
15	01176020	Mounting	1	
16	00051340	Hexagon nut	5	

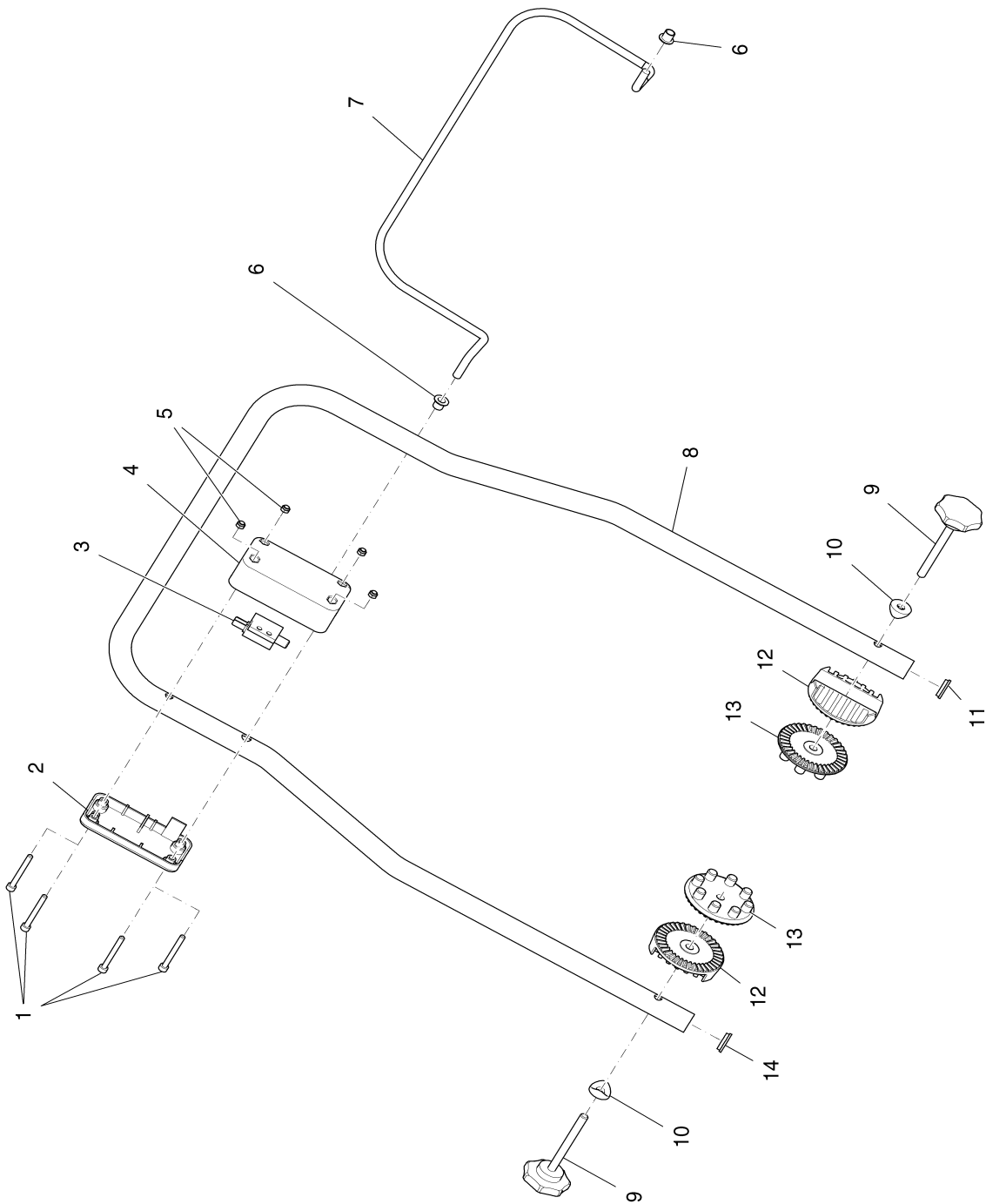


Kleen Sweep 25W (99625821) Rev.00 02/24/09				
99625821BT20				
Item	Part Number	Description	Qty.	Notes
1	250201	Hood	1	
2	01176140	Air diffusor	1	
3	01176150	Mounting screw	2	
4	XXXXXXXX	no part-No. til yet	2	Blind rivet
5	01175960	Lock lever	1	
6	01175950	Locking plate	1	
7	250202	Dust tray	1	
8	01176450	Catch	1	
9	01176390	Flap	1	
10	01176400	Hinge	2	
11	00504370	Blind rivet	8	
12	00133830	Hex. Nut	4	
13	01176370	Sheet metal	1	
14	01176380	Foam rubber gasket	1	
15	XXXXXXXX	no part-No. til yet	2	Insert for drive bracket
16	XXXXXXXX	no part-No. til yet	1	Clamp
17	01082690	Tapping screw	1	

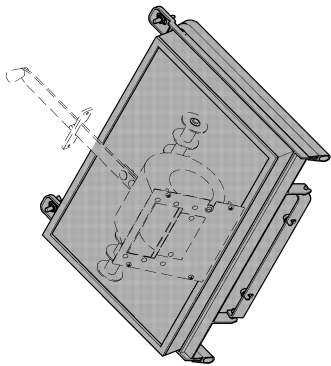
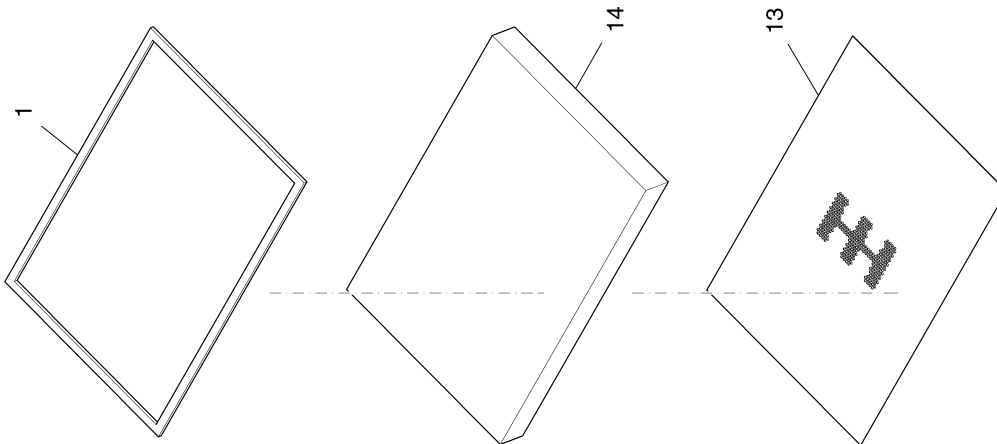
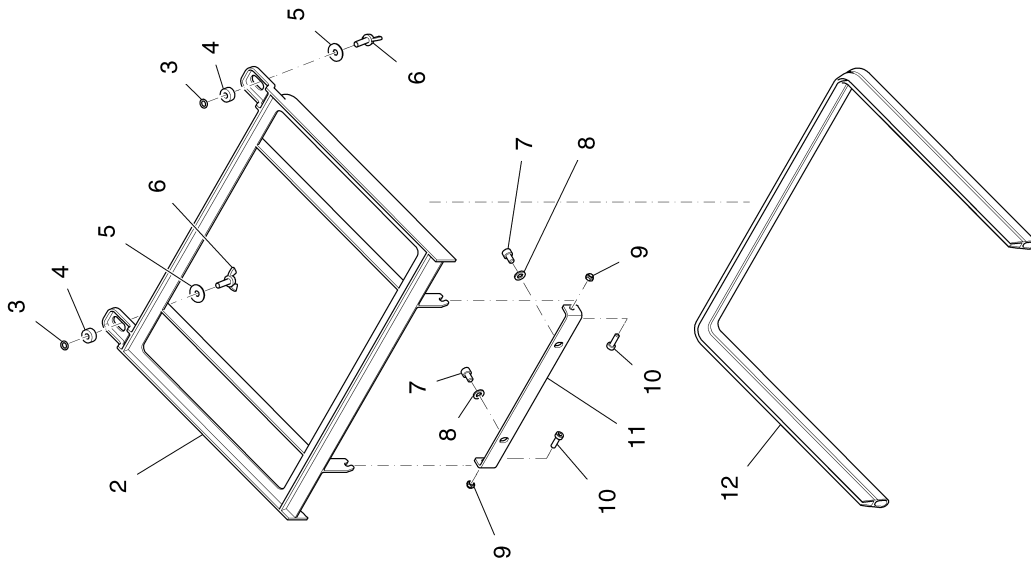


Kleen Sweep 25W (99625821) Rev.00 02/24/09				
99625821BT30				
Item	Part Number	Description	Qty.	Notes
1	01176540	Webbing	2	
2	00538900	Tapping screw	2	
3	01176610	Charger	1	
4	XXXXXXXX	no part-No. til yet	4	
5	01176590	Control panel foil	1	
6	01176580	Control panel	1	
7	01176550	Mat	1	
8	00051520	Hexagon nut	1	
9	00053730	Washer	1	
10	01176560	Sheet metal	1	
11	00076540	Screw	1	
12	01176600	Mounting angle	1	
13	XXXXXXXX	no part-No. til yet	1	Socket head screw
14	XXXXXXXX	no part-No. til yet	4	Battery 12V 12Ah
15	250200	Charging cable	1	

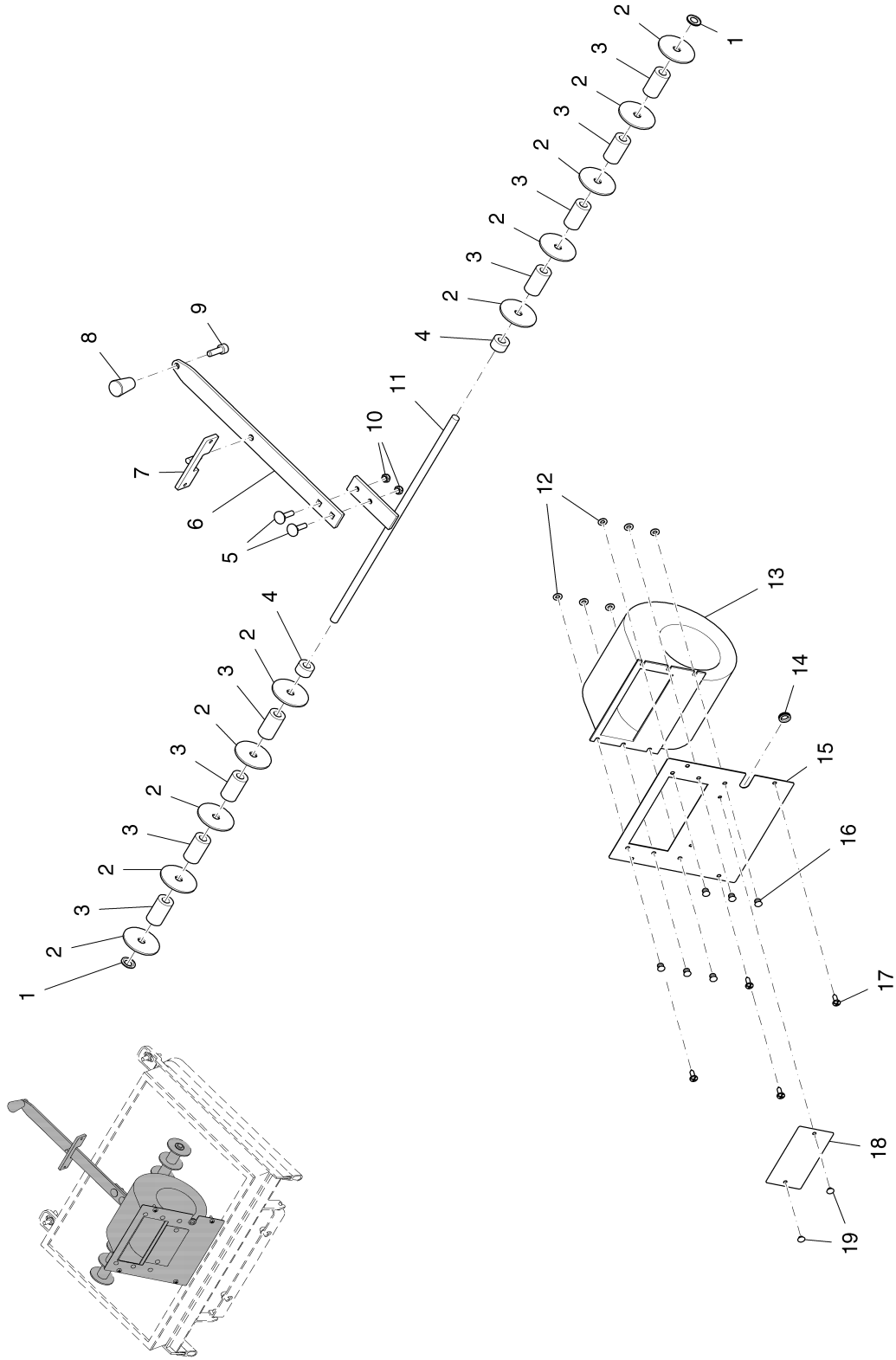
Kleen Sweep 25W (99625821) Rev.00 02/24/09				
99625821BT30				
Item	Part Number	Description	Qty.	Notes
1	01176540	Webbing	2	
2	00538900	Tapping screw	2	
3	01176610	Charger	1	
4	XXXXXXXX	no part-No. til yet	4	
5	01176590	Control panel foil	1	
6	01176580	Control panel	1	
7	01176550	Mat	1	
8	00051520	Hexagon nut	1	
9	00053730	Washer	1	
10	01176560	Sheet metal	1	
11	00076540	Screw	1	
12	01176600	Mounting angle	1	
13	XXXXXXXX	no part-No. til yet	1	Socket head screw
14	XXXXXXXX	no part-No. til yet	4	Battery 12V 12Ah
15	250200	Charging cable	1	



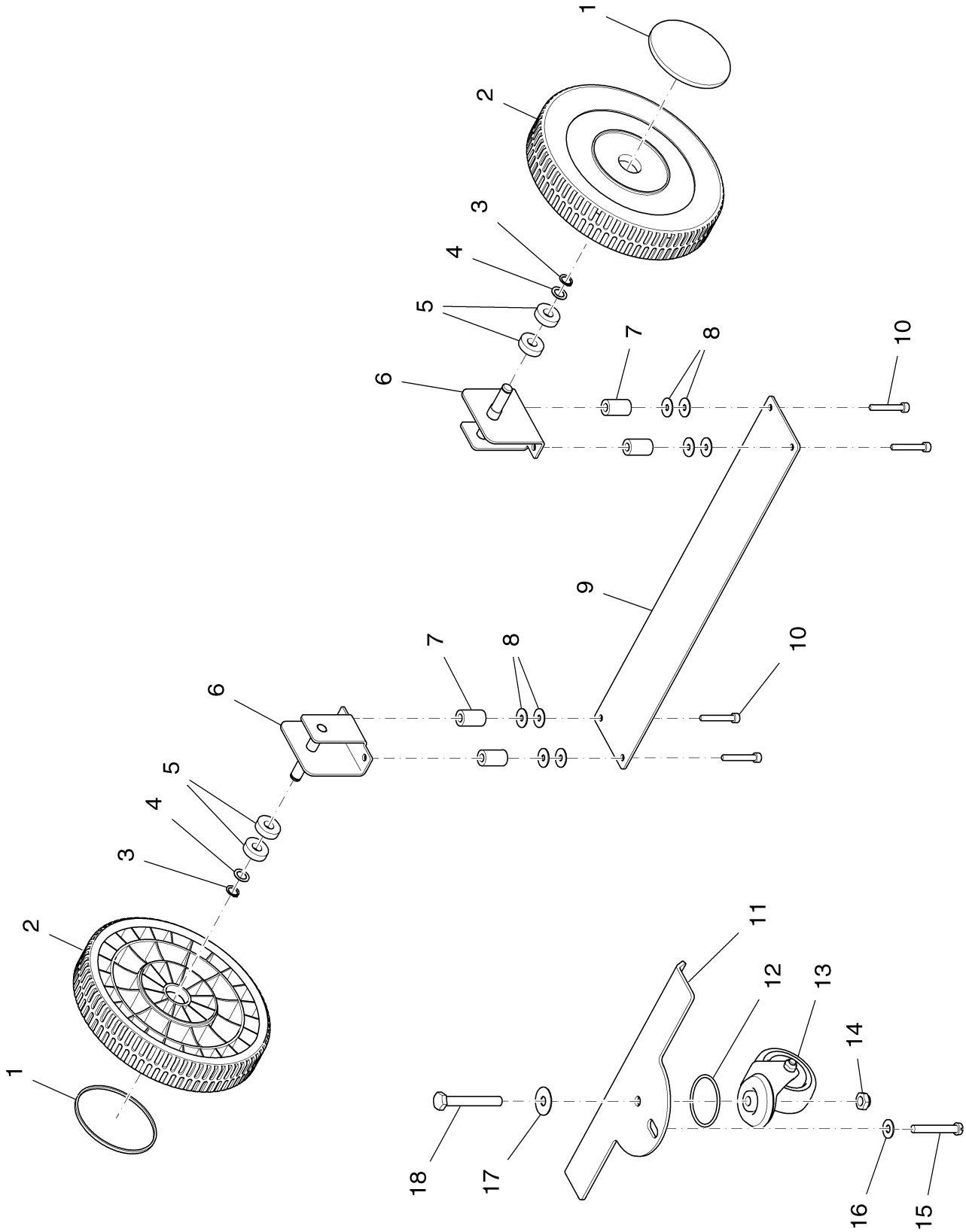
Kleen Sweep 25W (99625821) Rev.00 02/24/09				
99625821BT40				
Item	Part Number	Description	Qty.	Notes
1	XXXXXXXX	no part-No. til yet	4	Socket head screw
2	01176500	Mounting outer	1	
3	01176480	Limit switch	1	
4	01176490	Mounting inner	1	
5	00051340	Hexagon nut	4	
6	01176330	Slide bearing	2	
7	01176470	Yoke speed	1	
8	01176460	Bracket	1	
9	01176530	Star handle	2	
10	01176340	Washer	2	
11	01176350	Cap	1	
12	01176520	Hinge outer	2	
13	01176510	Hinge inner	2	
14	01176360	Cap	1	



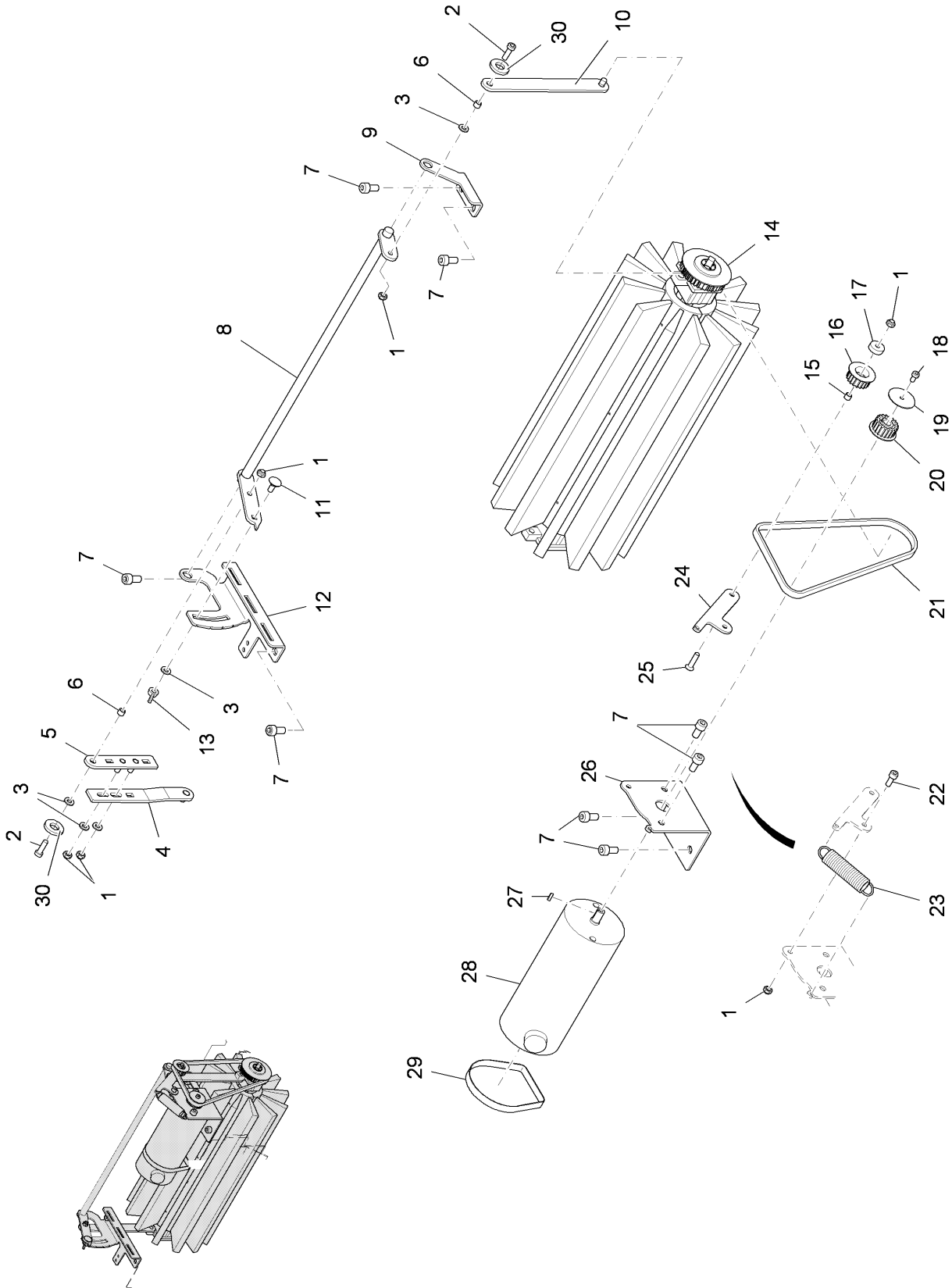
Kleen Sweep 25W (99625821) Rev.00 02/24/09				
99625821BT50				
Item	Part Number	Description	Qty.	Notes
1	XXXXXXXX	no part-No. til yet	1	Sealing strap for filter
2	01176080	Carrier frame	1	
3	01176090	O-ring	2	
4	XXXXXXXX	no part-No. til yet	2	Distance piece
5	XXXXXXXX	no part-No. til yet	2	Washer
6	XXXXXXXX	no part-No. til yet	2	Butterfly screw
7	XXXXXXXX	no part-No. til yet	2	Socket head screw
8	00053730	Washer	2	
9	00051340	Hexagon nut	2	
10	XXXXXXXX	no part-No. til yet	2	Socket head screw
11	01176110	Mounting	1	
12	01176100	Gasket	1	
13	01176070	Perforated plate	1	
14	01176060	Filter	1	



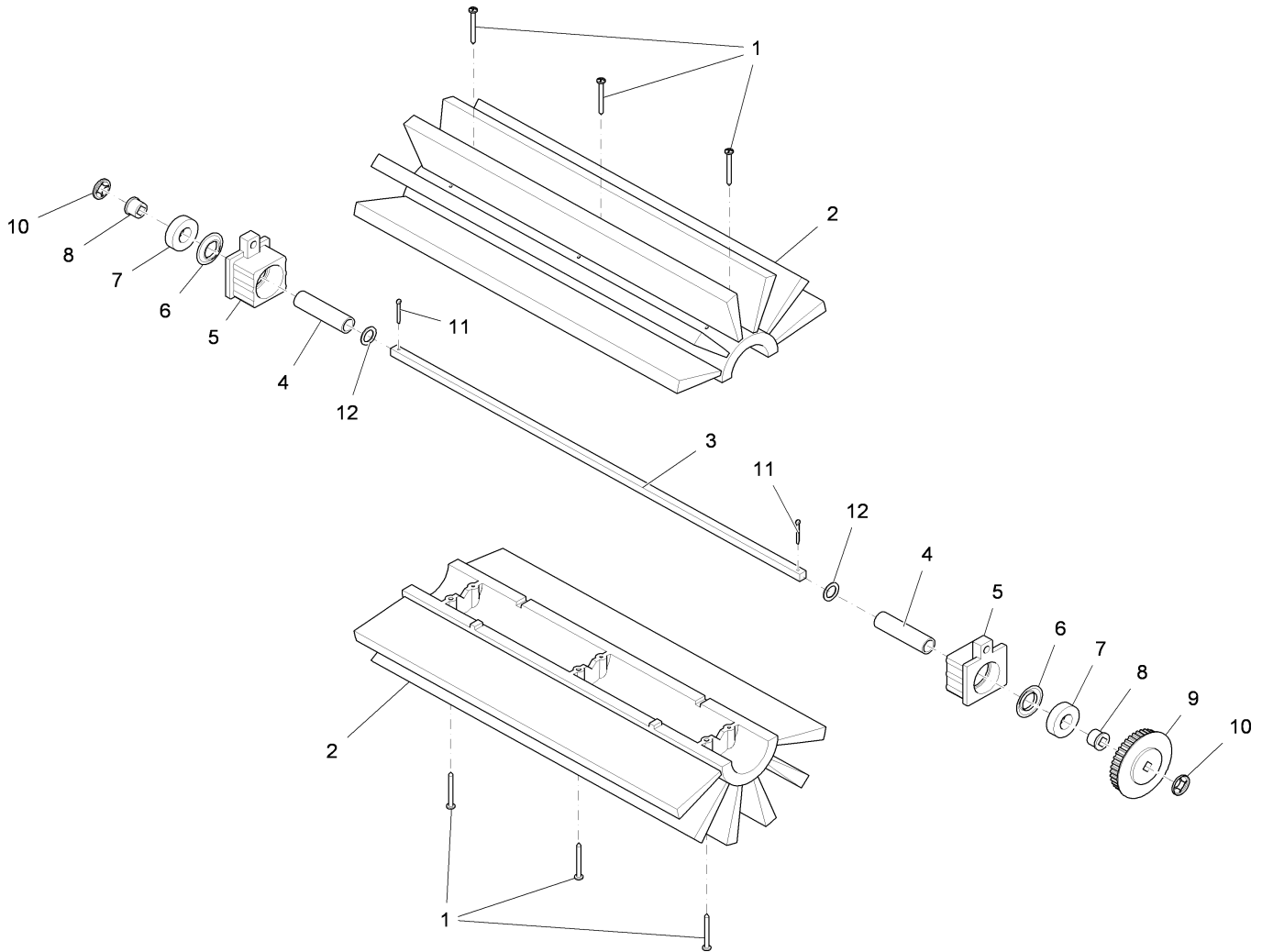
Kleen Sweep 25W (99625821) Rev.00 02/24/09				
99625821BT60				
Item	Part Number	Description	Qty.	Notes
1	01176220	Lock	2	
2	XXXXXXXX	no part-No. til yet	10	Washer
3	01176200	Spacer sleeve	8	
4	01176210	Spacer sleeve	2	
5	XXXXXXXX	no part-No. til yet	2	Round head screw
6	01176160	Operating rod	1	
7	01176170	Shaker guide	1	
8	01176120	Knob	1	
9	XXXXXXXX	no part-No. til yet	1	Socket head screw
10	00051340	Hexagon nut	2	
11	01176190	Shaker axle	1	
12	XXXXXXXX	no part-No. til yet	6	Washer
13	01176230	Motor	1	
14	01176130	Rubber bushing	1	
15	01176240	Mounting plate	1	
16	XXXXXXXX	no part-No. til yet	6	Blind rivet
17	01082690	Tapping screw	4	
18	XXXXXXXX	no part-No. til yet	1	Type plate
19	XXXXXXXX	no part-No. til yet	2	Blind rivet



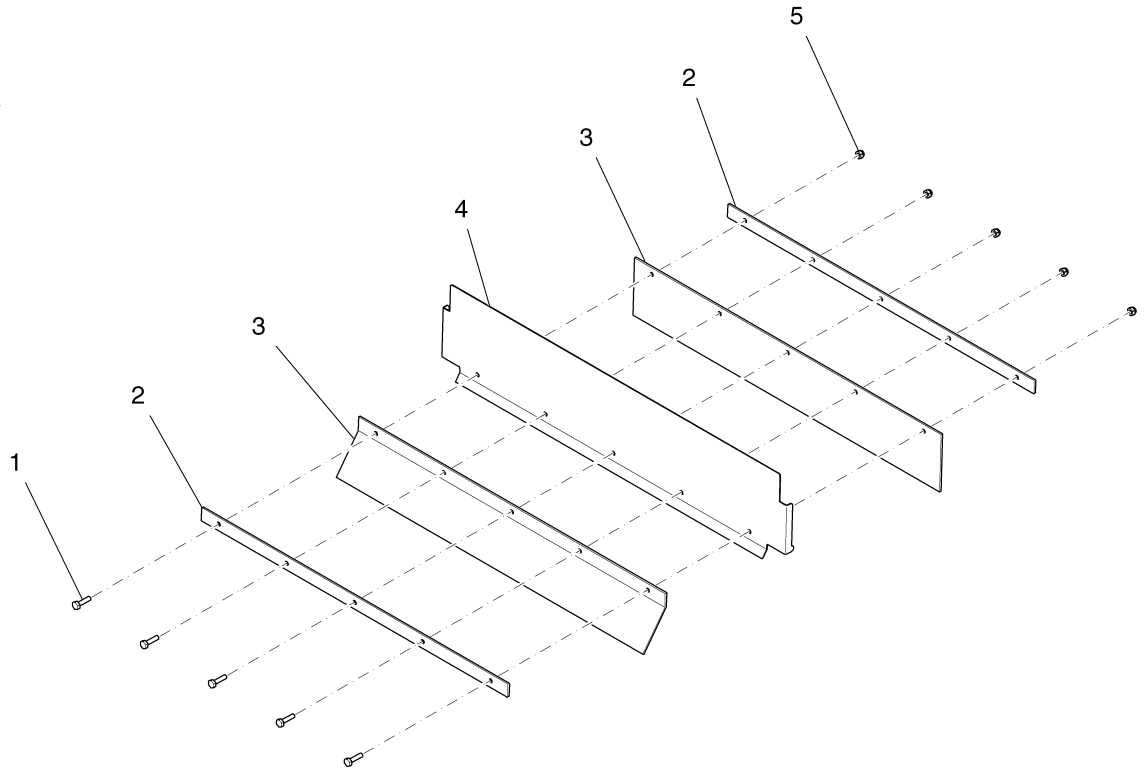
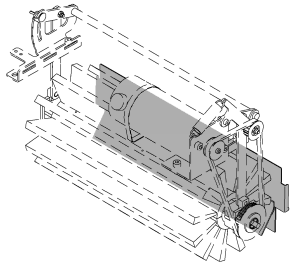
Kleen Sweep 25W (99625821) Rev.00 02/24/09				
99625821BT70				
Item	Part Number	Description	Qty.	Notes
1	01176300	Cap	2	
2	01176280	Wheel	2	
3	XXXXXXXX	no part-No. til yet	2	Circlip
4	XXXXXXXX	no part-No. til yet	2	Adjusting washer
5	XXXXXXXX	no part-No. til yet	4	Deep-groove ball bearing
6	01176310	Axle	2	
7	01176200	Spacer sleeve	4	
8	XXXXXXXX	no part-No. til yet	8	Washer
9	01176270	Sheet metal rear	1	
10	XXXXXXXX	no part-No. til yet	4	Socket head screw
11	01176260	Sheet metal front	1	
12	XXXXXXXX	no part-No. til yet	1	Sealing ring for steering roller
13	01176320	Steering roller	1	
14	00051500	Hexagon nut	1	
15	XXXXXXXX	no part-No. til yet	1	Socket head screw
16	XXXXXXXX	no part-No. til yet	1	Washer
17	XXXXXXXX	no part-No. til yet	1	Washer
18	00107600	Hex.bolt	1	



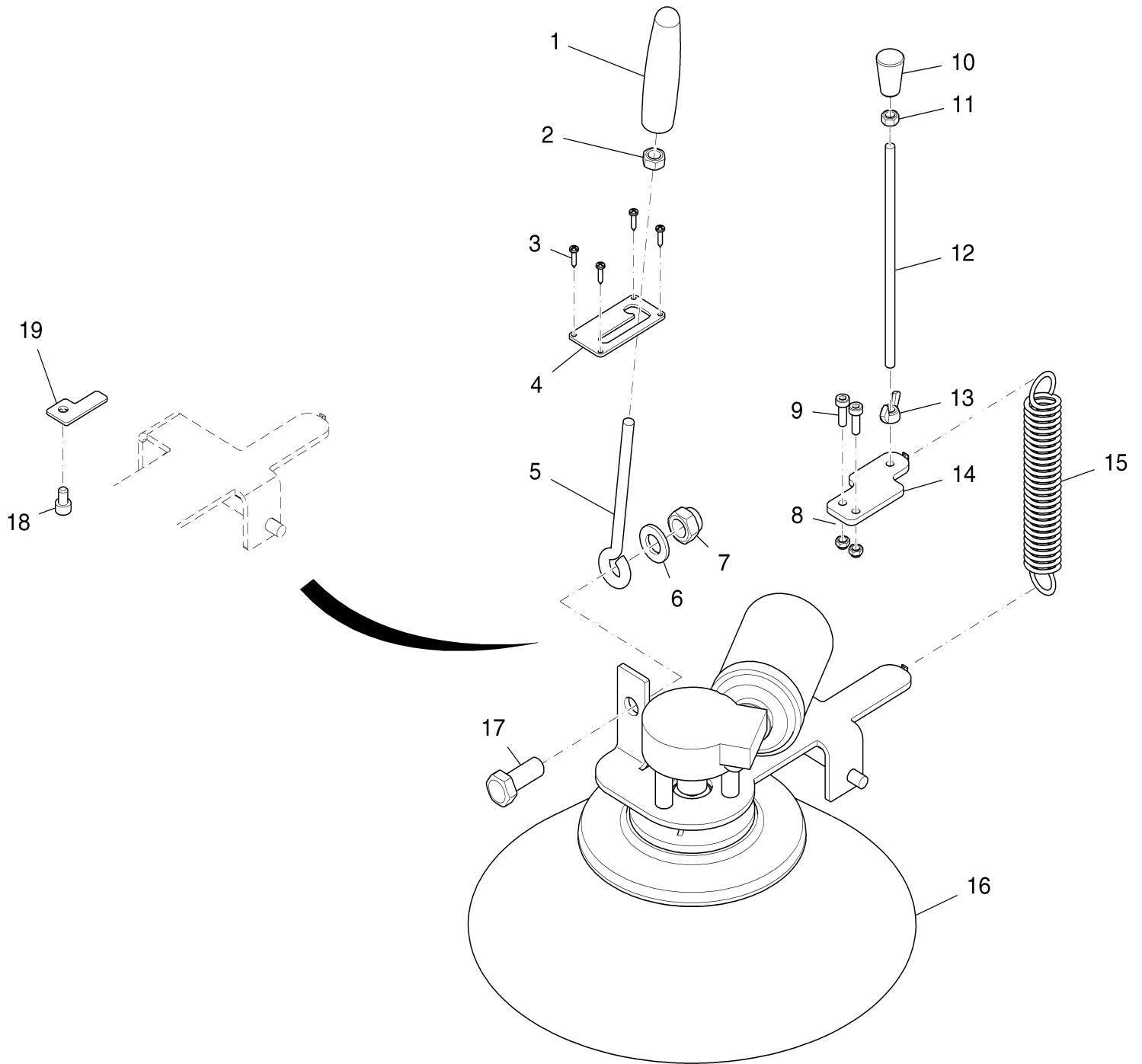
Kleen Sweep 25W (99625821) Rev.00 02/24/09				
99625821BT80				
Item	Part Number	Description	Qty.	Notes
1	00051520	Hexagon nut	6	
2	00107170	Cylinder head screw	2	
3	00053730	Washer	5	
4	XXXXXXXX	no part-No. til yet	1	Tension lever lower part
5	XXXXXXXX	no part-No. til yet	1	Tension lever upper part
6	01176880	Bearing bush	2	
7	XXXXXXXX	no part-No. til yet	8	Socket head screw
8	01176730	Adjusting axle	1	
9	01176860	Angle support L.H.	1	
10	XXXXXXXX	no part-No. til yet	1	Tension lever
11	00076540	Screw	1	
12	01176850	Angle support R.H.	1	
13	00054020	Wing nut	1	
14	99625820BT80-1	Sweep roller system		
15	01176710	Spacer sleeve	1	
16	01176700	Idler	1	
17	XXXXXXXX	no part-No. til yet	1	Deep-groove ball bearing
18	XXXXXXXX	no part-No. til yet	1	
19	01176640	Washer	1	
20	01176670	Toothed belt pulley	1	
21	01176680	Toothed belt	1	
22	XXXXXXXX	no part-No. til yet	1	Socket head screw
23	01176720	Tension spring	1	
24	XXXXXXXX	no part-No. til yet	1	Clamping sheet metal
25	00551160	Screw	1	
26	01176660	Console	1	
27	XXXXXXXX	no part-No. til yet	1	Woodruff key
28	01176650	Drive motor	1	
29	XXXXXXXX	no part-No. til yet	1	Cable binder
30	01177240	Rubber washer	2	



Kleen Sweep 25W (99625821) Rev.00 02/24/09				
99625821BT80-1				
Item	Part Number	Description	Qty.	Notes
1	XXXXXXXX	no part-No. til yet	6	
2	01176990	Sweeper roller	2	
3	01176760		1	
4	01176820		2	
5	01176780		2	
6	01176810		2	
7	XXXXXXXX	no part-No. til yet	2	
8	01176770		2	
9	01176790		1	
10	01176800		2	
11	XXXXXXXX	no part-No. til yet	2	
12	XXXXXXXX	no part-No. til yet	2	

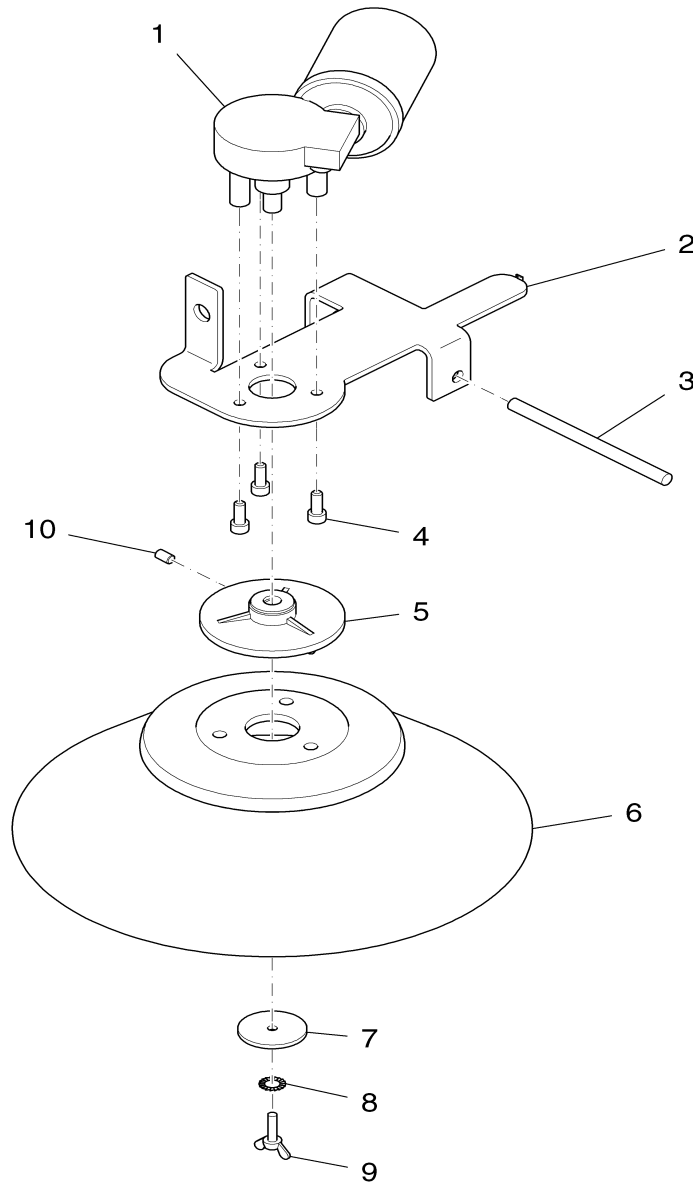


Kleen Sweep 25W (99625821) Rev.00 02/24/09				
99625821BT90				
Item	Part Number	Description	Qty.	Notes
1	00523520	Hex.bolt	5	
2	01176900	Retaining strip	2	
3	01176890	Rubber lip	2	
4	01176870	Flap sheet metal	1	
5	00133830	Hex. Nut	5	



Side Brush Assembly BOM

Kleen Sweep 25W (99625821) Rev.00 02/24/09				
99625821BT100				
Item	Part Number	Description	Qty.	Notes
1	01176420	Handle	1	
2	00053350	Hexagon nut	1	
3	XXXXXXXX	no part-No. til yet	4	Tapping screw
4	01176980	Sheet metal	1	
5	01176410	Screw	1	
6	XXXXXXXX	no part-No. til yet	1	Washer
7	00051490	Hexagon nut	1	
8	00051340	Hexagon nut	2	
9	XXXXXXXX	no part-No. til yet	2	Socket head screw
10	01176120	Knob	1	
11	00053330	Hexagon nut	1	
12	01176440	Threaded bolt	1	
13	00054020	Wing nut	1	
14	01176430	Sheet metal	1	
15	01176910	Tension spring	1	
16	99625820BT100-1	Side brush cpl. with retaining arm	1	Not available! Pos. has sub-assemblies! Please double click on pos.no.!
17	00053200	Hex.bolt	1	
18	XXXXXXXX	no part-No. til yet	1	Socket head screw
19	01176950	Holding plate	1	



Kleen Sweep 25W (99625821) Rev.00 02/24/09				
99625821BT100-1				
Item	Part Number	Description	Qty.	Notes
1	01176920	Gear motor	1	
2	01176930	Side broom arm	1	
3	01176940	Swivel axle	1	
4	XXXXXXXX	no part-No. til yet	3	Socket head screw
5	01176960	Driver	1	
6	01176970	Side broom	1	
7	XXXXXXXX	no part-No. til yet	1	Washer
8	XXXXXXXX	no part-No. til yet	1	Serrated washer
9	XXXXXXXX	no part-No. til yet	1	Butterfly screw
10	XXXXXXXX	no part-No. til yet	1	Threaded pin

Minuteman International Made Simple Commercial Limited Warranty REVISION E EFFECTIVE 1/1/2009

Minuteman International, Inc. warrants to the original purchaser/user that the product is free from defects in workmanship and materials under normal use. Minuteman will, at its option, repair or replace without charge, parts that fail under normal use and service when operated and maintained in accordance with the applicable operation and instruction manuals. All warranty claims must be submitted through and approved by factory authorized repair stations.

This warranty does not apply to normal wear, or to items whose life is dependent on their use and care, such as belts, cords, switches, hoses, rubber parts, electrical motor components or adjustments. Parts manufactured by Minuteman are covered by and subject to the warranties and/or guarantees of their manufacturers. Please contact Minuteman for procedures in warranty claims against these manufacturers.

Special warning to purchaser -- Use of replacement filters and/or prefilters not manufactured by Minuteman or its designated licensees, will void all warranties expressed or implied. A potential health hazard exists without original equipment replacement.

All warranted items become the sole property of Minuteman or its original manufacturer, whichever the case may be.

Minuteman disclaims any implied warranty, including the warranty of merchantability and the warranty of fitness for a particular purpose. Minuteman assumes no responsibility for any special, incidental or consequential damages.

This limited warranty is applicable only in the U.S.A. and Canada, and is extended only to the original user/purchaser of this product. Customers outside the U.S.A. and Canada should contact their local distributor for export warranty policies. Minuteman is not responsible for costs or repairs performed by persons other than those specifically authorized by Minuteman. This warranty does not apply to damage from transportation, alterations by unauthorized persons, misuse or abuse of the equipment, use of non-compatible chemicals, or damage to property, or loss of income due to malfunctions of the product.

If a difficulty develops with this machine, you should contact the dealer from whom it was purchased.

This warranty gives you specific legal rights, and you may have other rights which vary from state to state. Some states do not allow the exclusion or limitation of special, incidental or consequential damages, or limitations on how long an implied warranty lasts, so the above exclusions and limitations may not apply to you.

Cord Electric Group..... Three years parts, two years labor, ninety days travel (Not to exceed two hours)

Exceptions..... Port-A-Scrub, one year parts, six months labor
MPV 13, one year parts
V Series Upright Vacuums, One year parts, one year labor
MPV 14 and 18, two years parts, one year labor
RapidAir blower, one year parts, one year labor
Explosion-Proof Vacuum, one year parts, one year labor
X12 and X12H, one year parts, one year labor
TRS 14, one year parts, one year labor
E17/E20 electric scrubbers, one year parts, six months labor

Battery Operated Group..... Three years parts, two years labor, ninety days travel
(Not to exceed two hours)

Exceptions..... Sweepers, one year parts, one year labor, ninety days travel
(Not to exceed two hours)

Internal Combustion Group....One year parts, one year labor, ninety day travel
(Not to exceed two hours)

Exceptions.....Mirage propane burnisher, one year parts, one year labor

Battery Chargers.....One year replacement

Replacement Parts.....Ninety days

Batteries.....0-3 months replacement, 4-12 months pro-rate

Polypropylene Plastic Tanks...Ten years, no additional labor