

# LOWBOY VAC

MODELS: LB100  
LB100-5

FORM NO.: 042 037

SERIAL NO. 771639

APL. 1980

# PARTS LIST



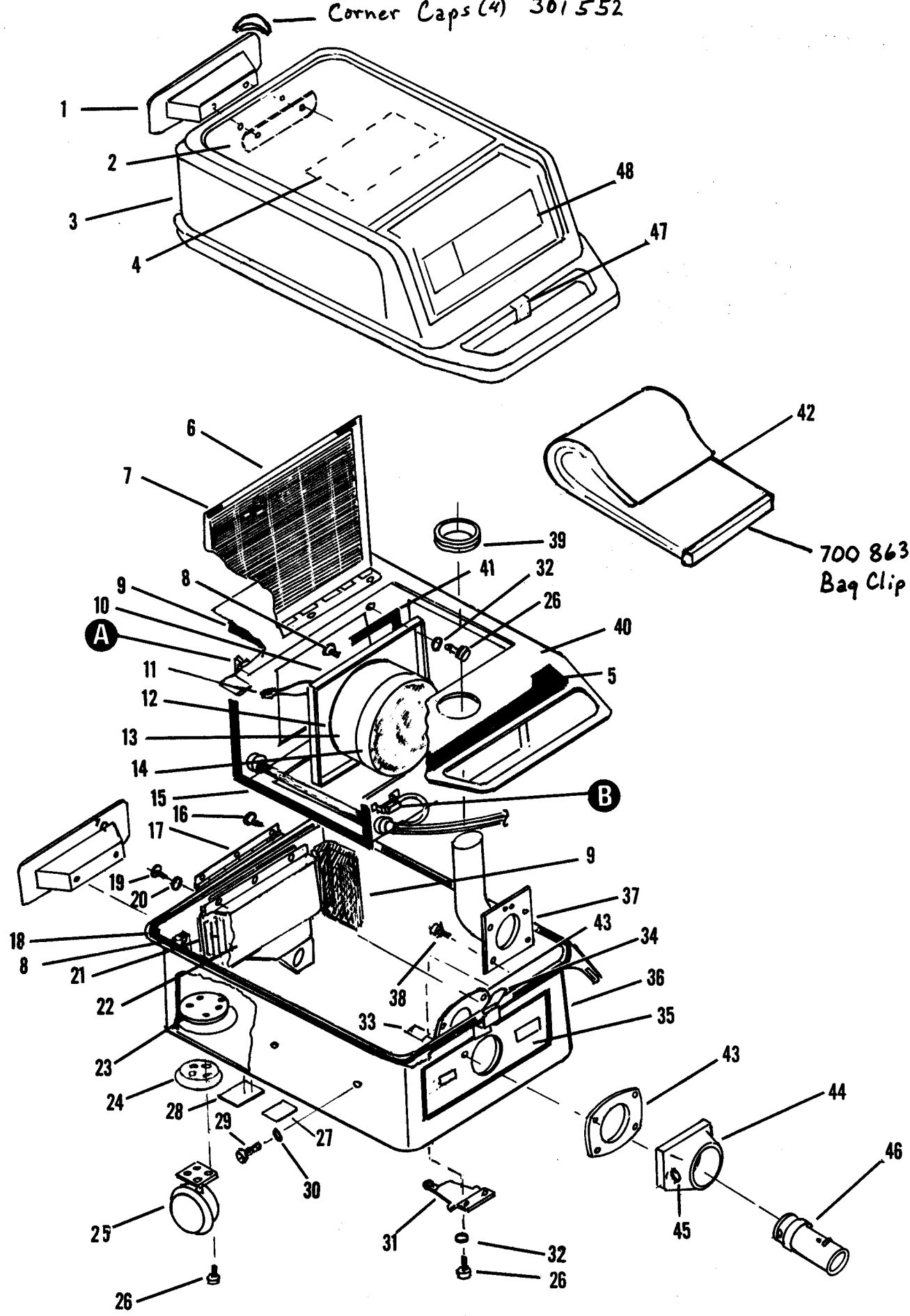
**ADVANCE**  
**MACHINE COMPANY**  
INTERNATIONAL HEADQUARTERS, Spring Park, Minnesota 55384 USA  
EUROPE, 4 Rue Jean Engling, Dommeldange, Luxembourg  
CANADA, 45 Iron Street, Rexdale, Ontario



## Index for Form Number 042037

<b>Description</b>	<b>Location</b>	<b>page</b>
Switch & Cord	F9	3
Vacuum Assemblby	F7	1
Wiring Diagram	F11	5

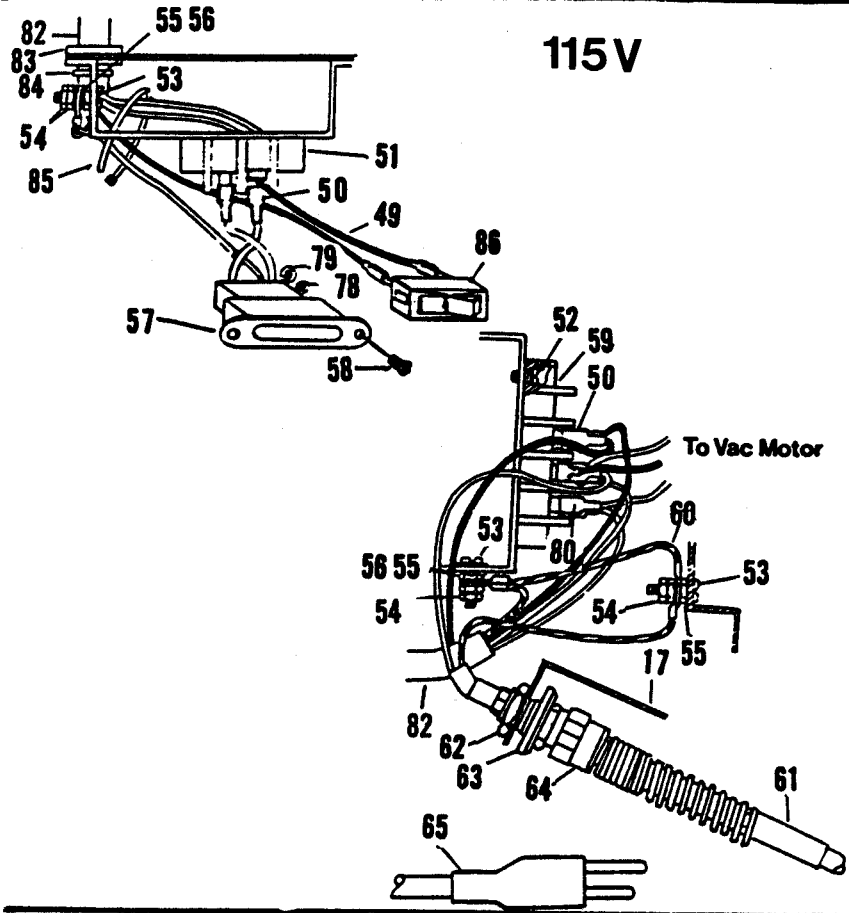
Corner Caps (4) 301552



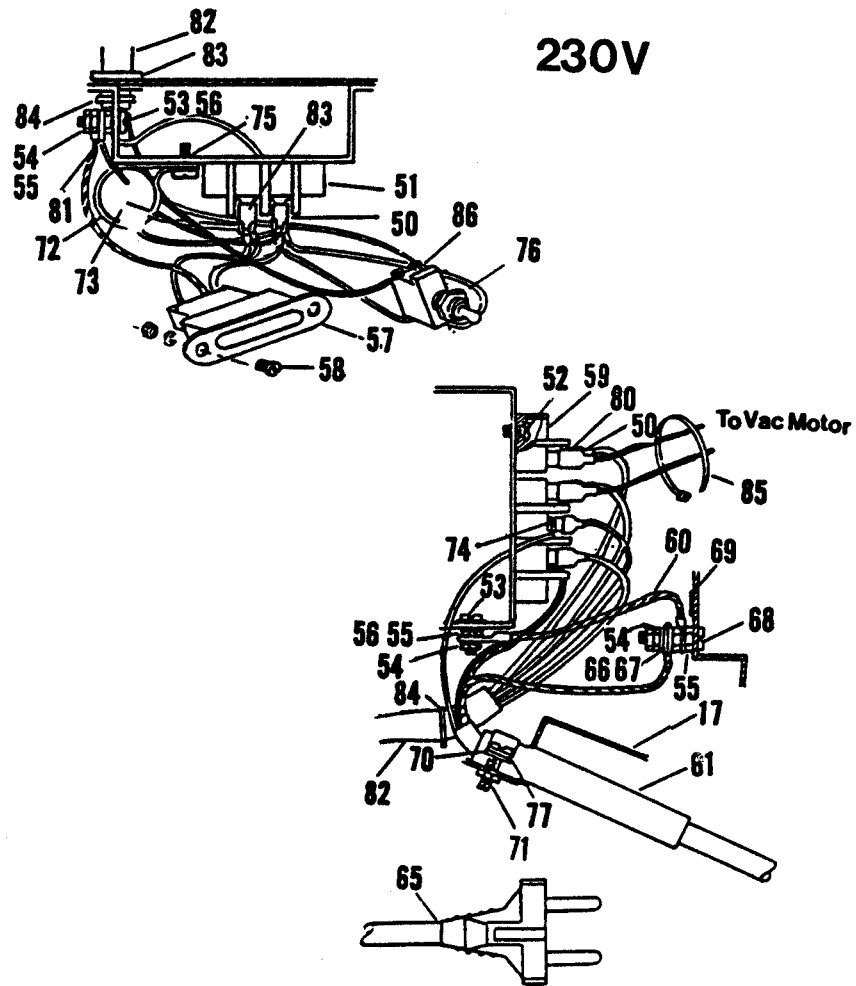
700 863  
Bag Clip

ITEM	PART NO.	QTY.	DESCRIPTION
1	301 514	2	HOOK,Cord
2	301 556	1	SUPPORT PLATE
3	301 580	1	HOUSING,Upper w/Decals /Gaskets
4	015 340	1	DECAL,Wiring 115V
	015 342	1	DECAL,Wiring 230V
5	301 738	1	GASKET,Cover
6	301 548	1	SCREEN,Weldment
7	301 585	2	GASKET
8		4	SCREW,Pan Hd #10-24 X.50 S.T
9	301 546	1	FOAM,Sound Reduction
10	301 588	1	PLATE,Motor
11	321 737	1	CONNECTOR,Wire 115V only
12	209 325	1	GASKET,Motor
13	301 724	1	MOTOR,Vac 115V
	301 726	1	MOTOR,Vac 230V
14	384 898	1	FILTER,Vac Motor
15	200 778	2	GASKET,1/16 x 1/2 X 36
16		3	SCREW,Pan Hd #10-24 X.3125 S.T
17	301 516	1	HINGE
18	468 721	1	GASKET
19		3	SCREW,Pan Hd #10-24 X.625 S.T
20		3	WASHER,Flat #10
21	301 550	1	GRILL,Exhaust
22	301 528	1	DEFLECTOR, 115V
23	301 652	1	DEFLECTOR, 230V
	301 656	1	PLATE,Nut
24	301 654	4	SUPPORT CUP
25	301 527	2	CASTER w/Pin Hole,2 1/4"
	301 526	2	CASTER,Swivel 2 1/4"
26		30	SCREW,Pan Hd #10-24 X.50
27	015 194	1	DECAL,Warning
28	015 314	1	DECAL,Warning
29		8	SCREW,Oval Hd #10-24 X.50
30	449 340	8	WASHER,Finishing #10
31	301 586	1	HANGER
32		36	WASHER,Shakeproof #10
33	301 582	1	PLATE,Nut Hanger
34	301 540	1	HOUSING,Latch
35	015 317	1	DECAL,Panel 115V
	015 322	1	DECAL,Panel 230V
36	301 578	1	HOUSING,Lower w/Decals/Gasket 115V
	301 624	1	HOUSING,Lower w/Decals/Gasket 230V
37	301 620	1	NECK INLET
38	209 519	4	SCREW, #10-16 X.75 S.S.S.T
39	344 621	1	GROMMET
40	301 720	1	MOUNT WELDMENT
41	301 596	1	GASKET
42	301 566	1	BAG,Cloth w/Clip
43	201 390	2	GASKET
44	201 386	1	CONNECTOR ASS'Y.,Incls:Item 45
45	365 548	1	LOCK PIN ASS'Y.
46	201 820	1	ADAPTOR 1 1/2"
47	301 598	1	PLATE,Latch
48	015 305	1	DECAL,Lowboy

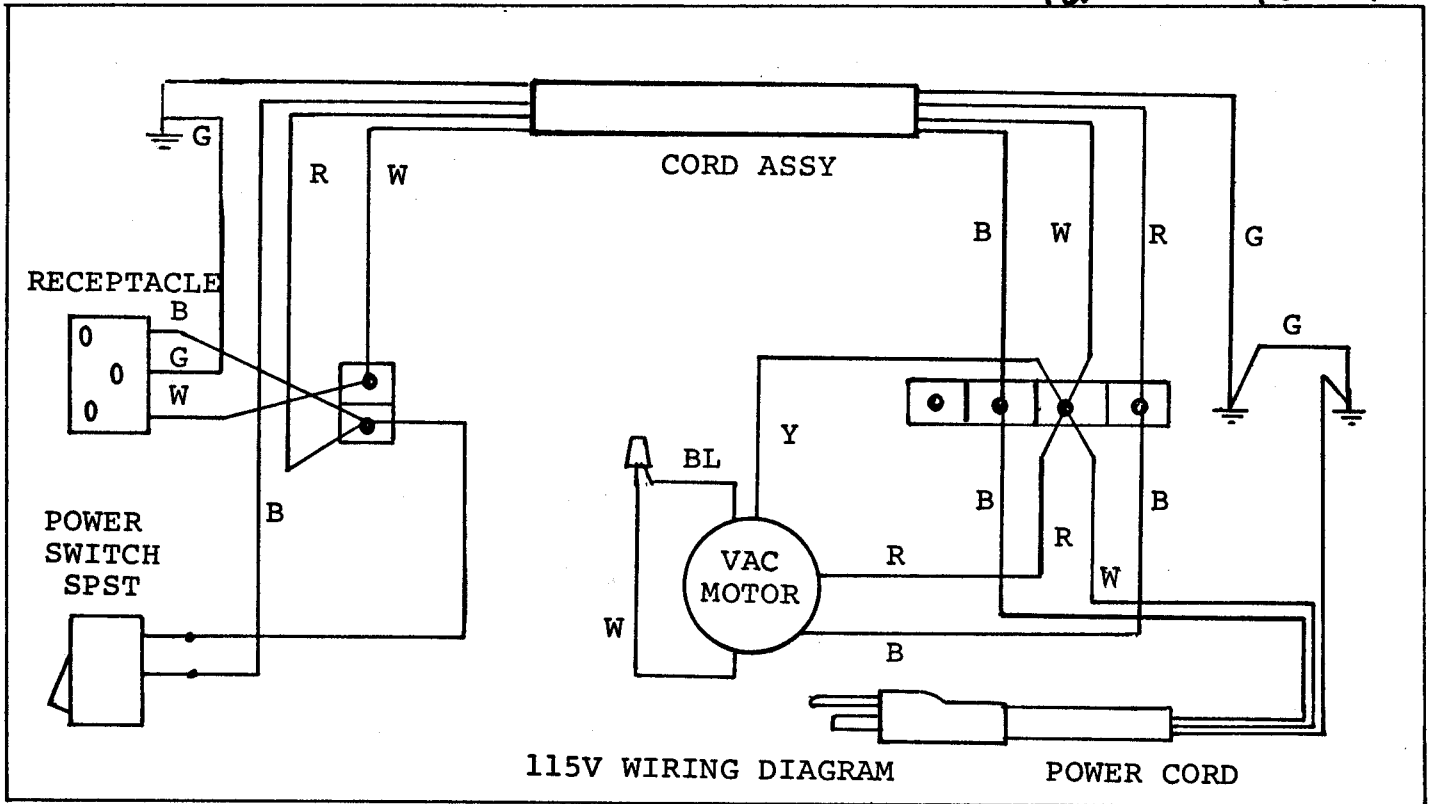
### 115V



### 230V



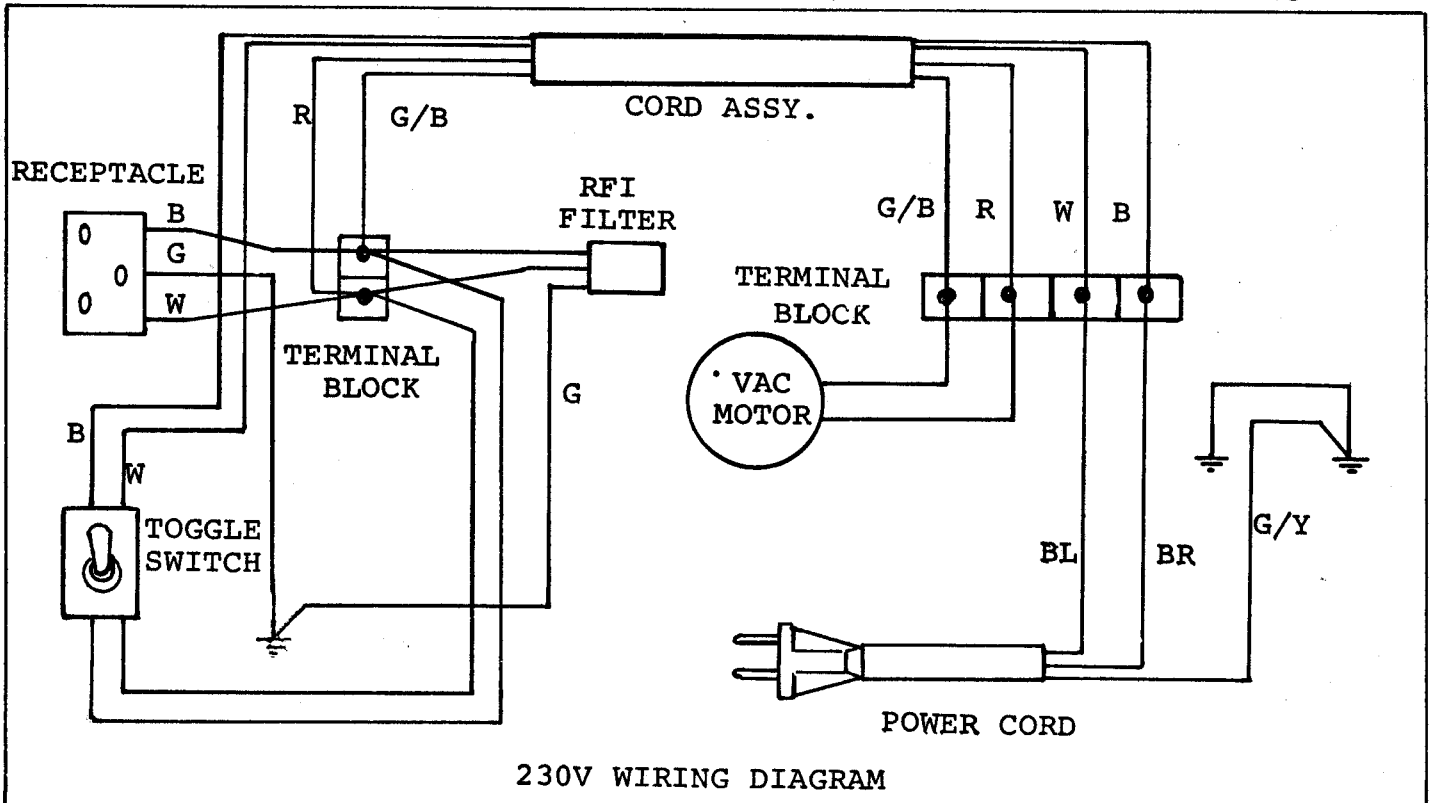
49	154 905	1	WIRE ASS'Y., #14 X 12
50	301 710	3	TERMINAL TAB .250 45 (6 used on 230V)
	301 712	5	TERMINAL TAB .250 'U' (4 used on 230V)
		5	SCREW, Pan Hd #6-32 X.312 (4 used on 230V)
51	290 572	1	TERMINAL BLOCK
52		4	SCREW, Pan Hd #8-32 X.375
53		3	SCREW, Pan Hd #8-32 X.625 (2 used on 230V)
54		6	NUT, Hex #8-32 (7 used on 230V)
55		3	NUT, Whiz #8-32
56		5	WASHER, Shakeproof #8
57	301 736	1	RECEPTACLE
58		2	SCREW, Pan Hd #6-12 X.50
59	328 062	1	TERMINAL BLOCK
60	245 053	1	WIRE ASS'Y., #14 X 8
61	322 028	1	TUBE, Pvc .375 X 5.00 115V
	300 602	1	TUBE, Rubber 230V
62	200 441	1	NUT, Lock 3/8 NPSL
63	200 433	1	WASHER, Machined .68
64	162 736	1	STRAIN RELIEF
65	301 730	1	CORD SET 115V
	301 732	1	CORD SET 230V
66	325 274	1	WASHER, Cupped
67	325 276	1	WASHER, .17 X.38 X.03
68		1	SCREW, Pan Hd #8-32 X.875
69	014 119	1	DECAL, Ground Symbol
70	249 623	1	CLAMP, Strain Relief
71		2	SCREW, Pan Hd #8-32 X.50
72	328 064	1	CLAMP, Cable .75
73	382 830	1	FILTER, RFI
74	290 574	2	SCREW, w/Washer
75		1	SCREW, Pan Hd #10-24 X.375
76	249 678	2	WIRE ASS'Y., #14 X 14
77		2	WASHER, Flat #8
78		2	WASHER, Shakeproof #8
79		2	NUT, Hex #6-32
80	469 384	4	RECEPTACLE TAB, .250 (4 used on 230V)
81	311 227	1	TERMINAL RING #8
82	301 728	1	CORD ASS'Y., 115V
	301 734	1	CORD ASS'Y., 230V
83	301 544	2	GROMMET
84	320 358	2	STRAIN RELIEF
85	478 246	1	CABLE TIE
86	325 140	1	SWITCH, Rocker 115V
	301 636	1	SWITCH, Toggle 230V



115V WIRING DIAGRAM

POWER CORD

- WIRE CODE
- |           |                   |                             |
|-----------|-------------------|-----------------------------|
| B - BLACK | BL - BLUE         | BR - BROWN                  |
| W - WHITE | R - RED           | G/B- GREEN w/BLACK SLEEVING |
| G - GREEN | G/Y- GREEN/YELLOW |                             |



230V WIRING DIAGRAM

# WIRING DIAGRAM

