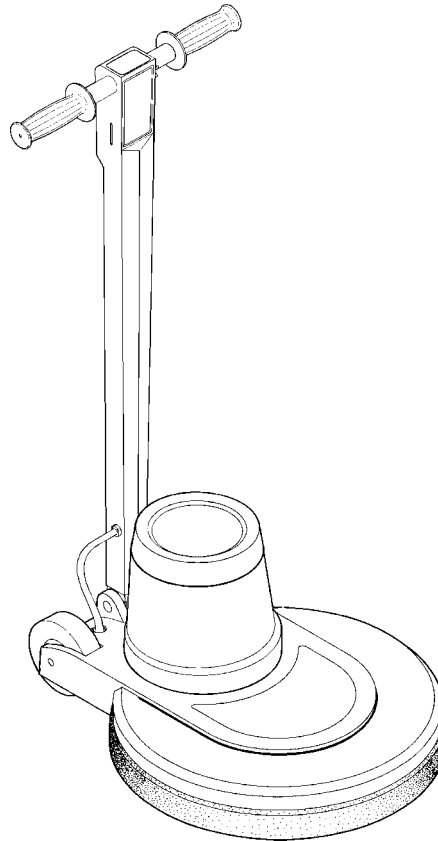


Matador™ 17HD / 20HD



PARTS LIST
Advance MODELS 56172210(17HD)
56172214(20HD)



**Nilfisk
Advance**

setting standards

4/01 FORM NO. 56042418

OPTIONAL BRUSHES AND ACCESSORIES

Ref. No. Qty Description

17" Brushes For Silver NP-47 Drive Cap

| | | |
|----------|---|--|
| 56505055 | 1 | Magna Grit™ 46 Brush, 17" |
| 56505054 | 1 | Dyna Grit™ 80 Brush, 17" |
| 56505078 | 1 | MidLite Grit™ 180 Brush, 17" |
| 56505082 | 1 | MidGrit™ 240 Brush, 17" |
| 56505059 | 1 | AgLite™ 500 Brush, 17" |
| 56505331 | 1 | Prolene Brush, 17" |
| 56505076 | 1 | ProLite™ Brush, 17" |
| 56505334 | 1 | Union Mix Brush, 17" |
| 56505330 | 1 | Short-Trim Pad Holder, 17" |
| 56505180 | 1 | Level-Set Pad Holder, 17" |
| 56505530 | 1 | Soft-Touch™ Shampoo Brush, 17" |
| 56505537 | 1 | Soft-Touch™ Shampoo Brush Assy, 17" |
| 56506001 | 1 | Clutch Plate for Above Brushes (Silver/NP-47) |

20" Brushes For Silver NP-47 Drive Cap

| | | |
|----------|---|--|
| 56505058 | 1 | Magna Grit™ 46 Brush, 20" |
| 56505048 | 1 | Dyna Grit™ 80 Brush, 20" |
| 56505079 | 1 | MidLite Grit™ 180 Brush, 20" |
| 56505083 | 1 | MidGrit™ 240 Brush, 20" |
| 56505063 | 1 | AgLite™ 500 Brush, 20" |
| 56505450 | 1 | Prolene Brush, 20" |
| 56505077 | 1 | ProLite™ Brush, 20" |
| 56505454 | 1 | Union Mix Brush, 20" |
| 56505455 | 1 | Short-Trim Pad Holder, 20" |
| 56505183 | 1 | Level-Set Pad Holder, 20" |
| 56505531 | 1 | Soft-Touch™ Shampoo Brush, 20" |
| 56505538 | 1 | Soft-Touch™ Shampoo Brush Assy, 20" |
| 56506001 | 1 | Clutch Plate for Above Brushes (Silver/NP-47) |

| DESCRIPTION | PAGE |
|----------------------------------|-------------|
| HANDLE ASSEMBLY-FRONT VIEW | 4-5 |
| HANDLE ASSEMBLY-REAR VIEW | 6-7 |
| BASE ASSEMBLY | 8-9 |
| WIRING DIAGRAM | 10 |

WHEN ORDERING PARTS

- * Use the 8 digit numbers from the "Ref. No." columns in this parts list.
- * Specify the model and serial number of the machine.
- * Use the space below to record the model and serial number for future reference.

Model _____ Serial No. _____

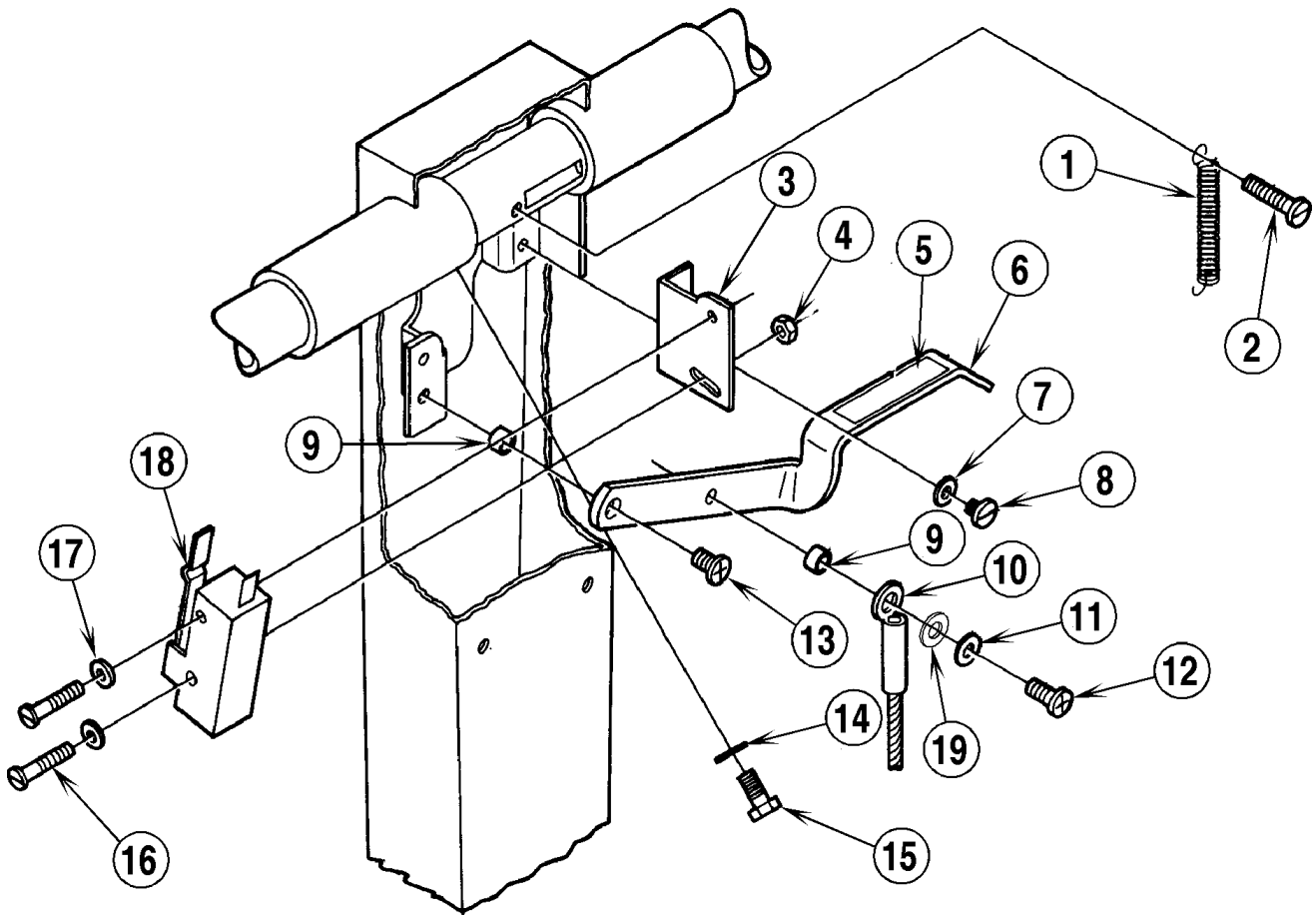
| Item | Ref. No. | Qty | Description |
|------|----------|-----|-------------------------------------|
| | 56172298 | 1 | Handle Assembly |
| 1 | 56172274 | 1 | Handle |
| 2 | 56014924 | 1 | Decal, Warning |
| 3 | 56001854 | 1 | Scr, Hex Hd 1/4-20 x .50 |
| * | 56002840 | 1 | Nut, Hex Nyl Loc-Thin 1/4-20 |
| * | 56002098 | 1 | Wsh, Flt SAE 1/4 |
| 4 | 56171343 | 1 | Handle Tube |
| 5 | 56388545 | 2 | Hand Grip |
| 6 | 56172275 | 1 | Collar |
| | 56172321 | 1 | Collar Assy (#6-9) |
| 7 | 56003129 | 1 | Pin |
| 8 | 56201405 | 1 | Knob |
| 9 | 56172217 | 1 | Pin |
| 10 | 56171279 | 1 | Plunger |
| 11 | 56201448 | 1 | Spring |
| 12 | 56171281 | 1 | Bushing |
| 13 | 56016439 | 1 | Decal, Handle |
| 16 | 56524069 | 1 | Cord Set |
| 17 | 56109630 | 1 | Strain Relief |
| | 56109632 | 1 | Brass Insert for 56109630 |
| 18 | 56171093 | 1 | Washer |
| 19 | 56009095 | 1 | Nut, Conduit Loc 1/2-14 |
| 20 | 56153699 | 4 | Button Plug |
| 22 | 56171336 | 2 | Shoulder Bolt |
| 23 | 56171269 | 1 | Bushing |
| 24 | 56171361 | 1 | Spring |
| 25 | 56171132 | 1 | Plunger |
| 26 | 56171373 | 1 | Cable |
| 27 | 56001851 | 1 | Scr, Rd Drive #4-40 x .25 |
| 28 | 56382818 | 1 | Strain Relief |
| 30 | 56171128 | 1 | Cord Set |
| | 56171112 | 1 | Cord Hook Assembly (#31-35) |
| 31 | 56009005 | 1 | Scr, Pan Phil SS Type B 10-16 x .75 |
| 32 | 56009096 | 1 | Wsh, Flt .193 x .875 x .060 |
| 33 | 56171110 | 1 | Arm |
| 34 | 56171111 | 1 | Base |
| 35 | 56380732 | 1 | Spring |
| 36 | 56009030 | 4 | Scr, Pan Phil Thd Form 10-24 x .38 |
| 37 | 56172273 | 1 | Cover |
| 38 | 56014828 | 1 | Decal, Warning |
| 39 | 56002003 | 1 | Scr, Pan Phil 8-32 x .50 |
| 40 | 56009148 | 1 | Nut, Hex 8-32 |
| 41 | 56009051 | 3 | Scr, Pan Phil Thd Form#8-32 x .38 |
| 43 | 56014326 | 1 | Decal, Important |
| 44 | 56009010 | 1 | Wsh, Int Shprf #8 |
| 45 | 56002877 | 1 | Nut, Hex Nyl Loc SS 8-32 |

HANDLE ASSEMBLY-REAR VIEW

01-4

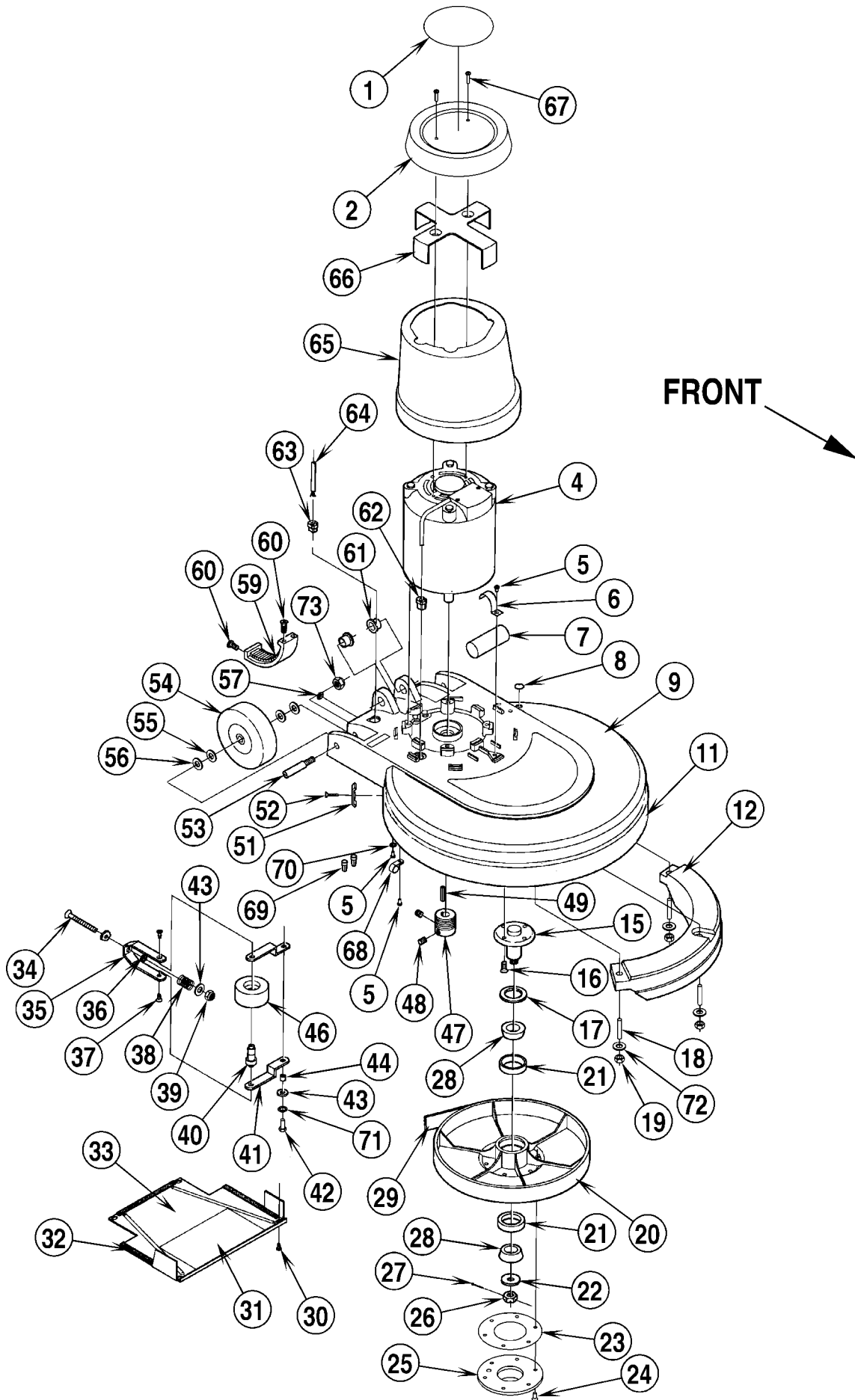
6

Matador™ 17HD / 20HD



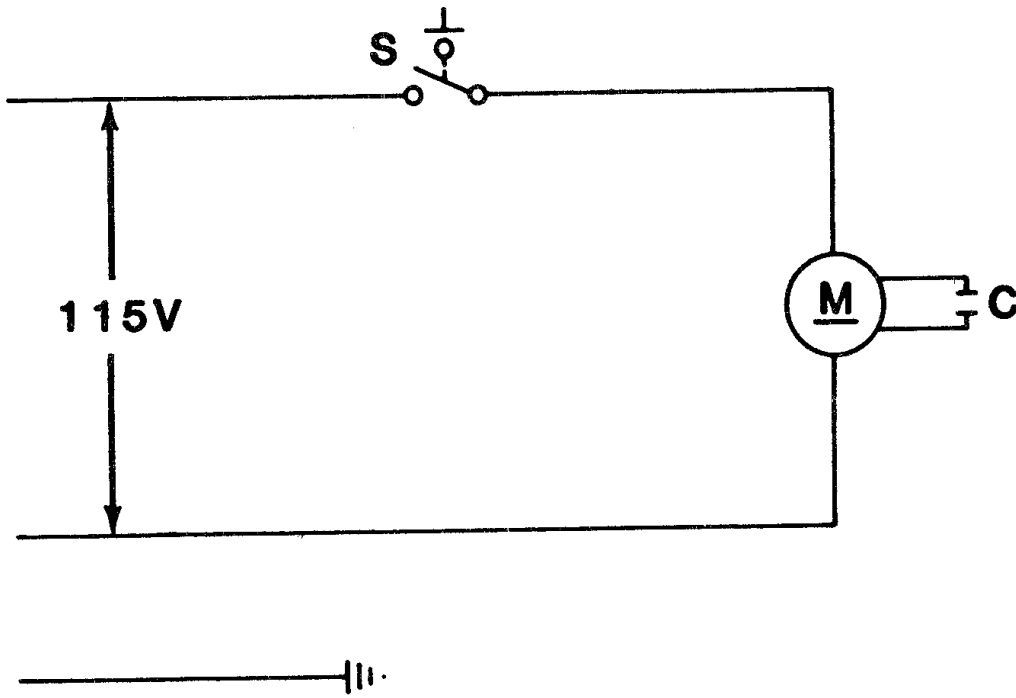
| Item | Ref. No. | Qty | Description |
|------|----------|-----|-------------------------------------|
| 1 | 56445177 | 1 | Spring |
| 2 | 56009034 | 1 | Scr, Pan Phil Thd Form #8-32 X .88 |
| 3 | 56171209 | 1 | Bracket |
| 4 | 56002746 | 1 | Nut, Hex Nyl Loc SS #4-40 |
| 5 | 56014856 | 1 | Decal, Handle |
| 6 | 56171126 | 1 | Lever |
| 7 | 56009010 | 2 | Wsh, Int Shprf #8 |
| 8 | 56009051 | 2 | Scr, Pan Phil Thd Form #8-32 X .38 |
| 9 | 56151092 | 2 | Spacer |
| 10 | 56171373 | 1 | Cable |
| 11 | 56001954 | 1 | Washer, #10 |
| 12 | 56009082 | 1 | Scr, Pan Phil Thd Form #10-24 X .50 |
| 13 | 56009030 | 1 | Scr, Pan Phil Thd Form #10-24 X .38 |
| 14 | 56009052 | 2 | 5/16 Shakeproof Washer |
| 15 | 56234079 | 1 | Scr, Machined Shank 1/4-20 X .50 |
| 16 | 56003104 | 2 | Scr, Hex Hd #4-40 X 1.00 |
| 17 | 56009171 | 2 | #4 Shakeproof Washer |
| 18 | 56385615 | 1 | Switch |
| * | 56321737 | 1 | Wire Nut |
| * | 56478246 | 1 | Cable Tie |
| 19 | 56009125 | 1 | Wsh, Bowed |

* = Not Shown



| Item | Ref. No. | Qty | Description | Item | Ref. No. | Qty | Description |
|------|----------|-----|-------------------------------------|------|----------|-----|---------------------------------|
| 1 | 56014111 | 1 | Decal, Matador 17 | 34 | 56002177 | 1 | Scr, Flt Phil 1/4-20 x 3.00 |
| | 56014114 | 1 | Decal, Matador 20 | 35 | 56171174 | 1 | Bracket |
| 2 | 56172277 | 1 | Cover | 36 | 56206849 | 1 | Bearing |
| 4 | 56172216 | 1 | Motor 1.5HP | 37 | 56002153 | 2 | Scr, Flt Phil #10-24 x .38 |
| * | 56171377 | 1 | Replacement Rotating Switch | 38 | 56171177 | 1 | Spring |
| 5 | 56009030 | 3 | Scr, Pan Phil Thd Form 10-24 x .38 | 39 | 56002708 | 1 | Nut, Hex Nyl Loc 1/4-20 |
| 6 | 56171146 | 1 | Clamp | 40 | 56171733 | 1 | Stud |
| 7 | 56171160 | 1 | Capacitor | 41 | 56171176 | 2 | Idler Bracket |
| 8 | 56153126 | 1 | Button Plug | 42 | 56009018 | 1 | Scr, Hex Thd Form 1/4-20 x .75 |
| 9 | 56172309 | 1 | Skirt Housing 17" | 43 | 56002098 | 1 | Wsh, Flt SAE 1/4 |
| | 56172281 | 1 | Skirt Housing 20" | 44 | 56368989 | 1 | Bushing |
| 11 | 56514070 | 1 | Bumper 17" | 46 | 56171735 | 1 | Pulley |
| | 56514065 | 1 | Bumper 20" | | 56171734 | 1 | Idler Assembly (#40, 46) |
| 12 | 56171060 | 1 | Weight 17" | 47 | 56171088 | 1 | Sheave |
| | 56171050 | 1 | Weight 20" | 48 | 56002021 | 2 | Scr, Soc Set Loc 5/16-18 x .38 |
| 15 | 56171056 | 1 | Stud Shaft | 49 | 56003241 | 1 | Key, Sq .19 x 1.31 |
| 16 | 56009137 | 4 | Scr, Flt Phil 1/4-20 x .50 | 51 | 56171108 | 2 | Clamp |
| 17 | 56171078 | 1 | Seal | 52 | 56009166 | 2 | Scr, Flt Thd Form #10-32 x .75 |
| 18 | 56171221 | 3 | Stud (2 on 17") | 53 | 56520845 | 2 | Axle |
| | 56171263 | 1 | Stud 17" | 54 | 56161691 | 2 | Wheel |
| 19 | 56002701 | 3 | Nut, Hex Nyl Loc 5/16-18 | 55 | 56009003 | 4 | Washer |
| 20 | 56171090 | 1 | Pulley | 56 | 56009001 | 4 | Washer, Bowed |
| | 56171376 | 1 | Pulley Assembly (#20,21) | 57 | 56171369 | 1 | Button Plug |
| 21 | 56378259 | 2 | Bearing Cup | 59 | 56171104 | 1 | Ratchet |
| 22 | 56009115 | 1 | Washer | 60 | 56009126 | 4 | Scr, Pan Phil Form 1/4-20 x .75 |
| 23 | 56158275 | 1 | Gasket | 61 | 56171095 | 2 | Bearing |
| 24 | 56009065 | 6 | Scr, Pan Phil Thd Form #10-24 x .50 | 62 | 56172014 | 1 | Strain Relief |
| 25 | 56163430 | 1 | Drive Cap (Silver/NP-47) | 63 | 56382818 | 1 | Strain Relief |
| 26 | 56009118 | 1 | Castle Nut | 64 | 56171129 | 1 | Cord Set |
| 27 | 56002038 | 1 | Cotter Pin, .09 x 1.00 | 65 | 56172278 | 1 | Shroud 17" |
| 28 | 56378267 | 2 | Bearing | 66 | 56171214 | 1 | Clamp |
| 29 | 56171200 | 1 | Belt | 67 | 56003106 | 2 | Scr, Hex Loc #10-32 x 1.00 |
| 30 | 56009051 | 4 | Scr, Pan Phil Thd Form #8-32 x .38 | 68 | 56300152 | 1 | Cord Clamp |
| 31 | 56014864 | 1 | Decal, Instruction | 69 | 56321737 | 2 | Wire Nut |
| 32 | 56320099 | 2' | Gasket (50.8 mm) | 70 | 56009011 | 1 | Wsh, Int Shprf #10 |
| 33 | 56171092 | 1 | Cover 17" | 71 | 56009064 | 1 | Wsh, Int Shprf 1/4 |
| | 56171121 | 1 | Cover 20" | 72 | 56001939 | 3 | Wsh, Flt SAE 5/16 |
| | | | | 73 | 56002841 | 2 | Nut, Hex Nyl Loc-Thin 3/8-16 |

* = Not Shown



| Item | Ref. No. | Qty | Description |
|------|----------|-----|-----------------------------|
| S | 56385615 | 1 | Switch |
| M | 56172216 | 1 | Motor 1.5HP |
| * | 56171377 | 1 | Replacement Rotating Switch |
| | 56171228 | 1 | Stationary Switch |
| C | 56171160 | 1 | Capacitor |

* = Not Shown



Nilfisk-Advance, Inc.
14600 21st Avenue North
Plymouth, MN, 55447-3408
www.nilfisk-advance.com
Phone: 800-989-2235
Fax: 800-989-6566
©2001 Nilfisk-Advance, Inc.,
Plymouth, MN 55447-3408
Printed in the U.S.A.