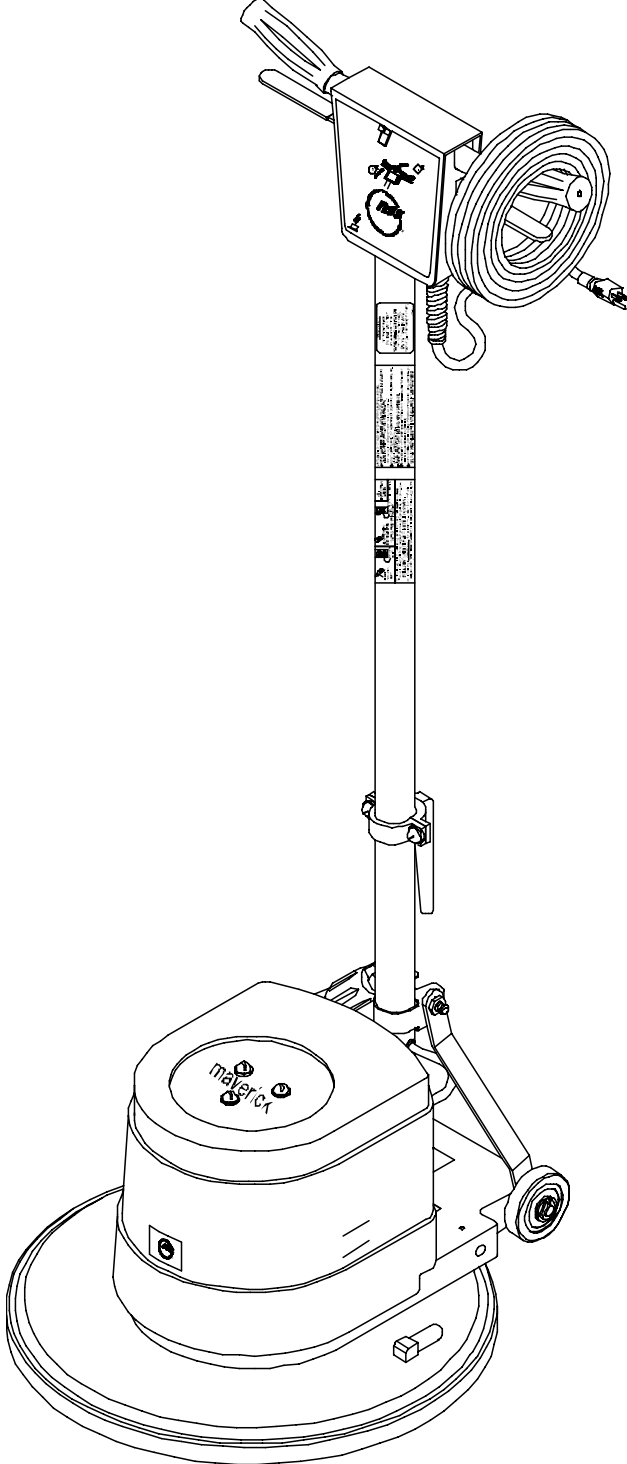


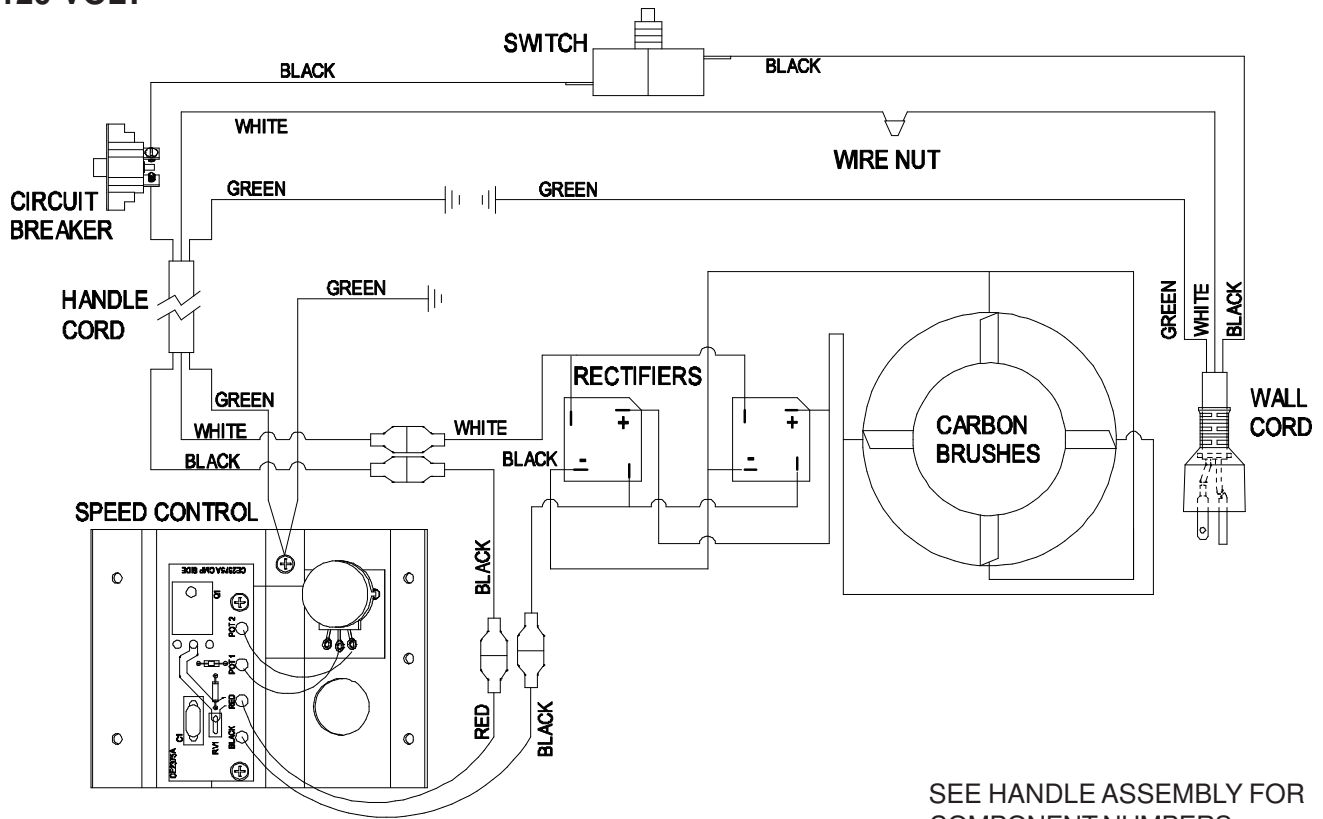
PARTS LIST

# MAVERICK 300 STANDARD SPEED FLOOR MACHINE



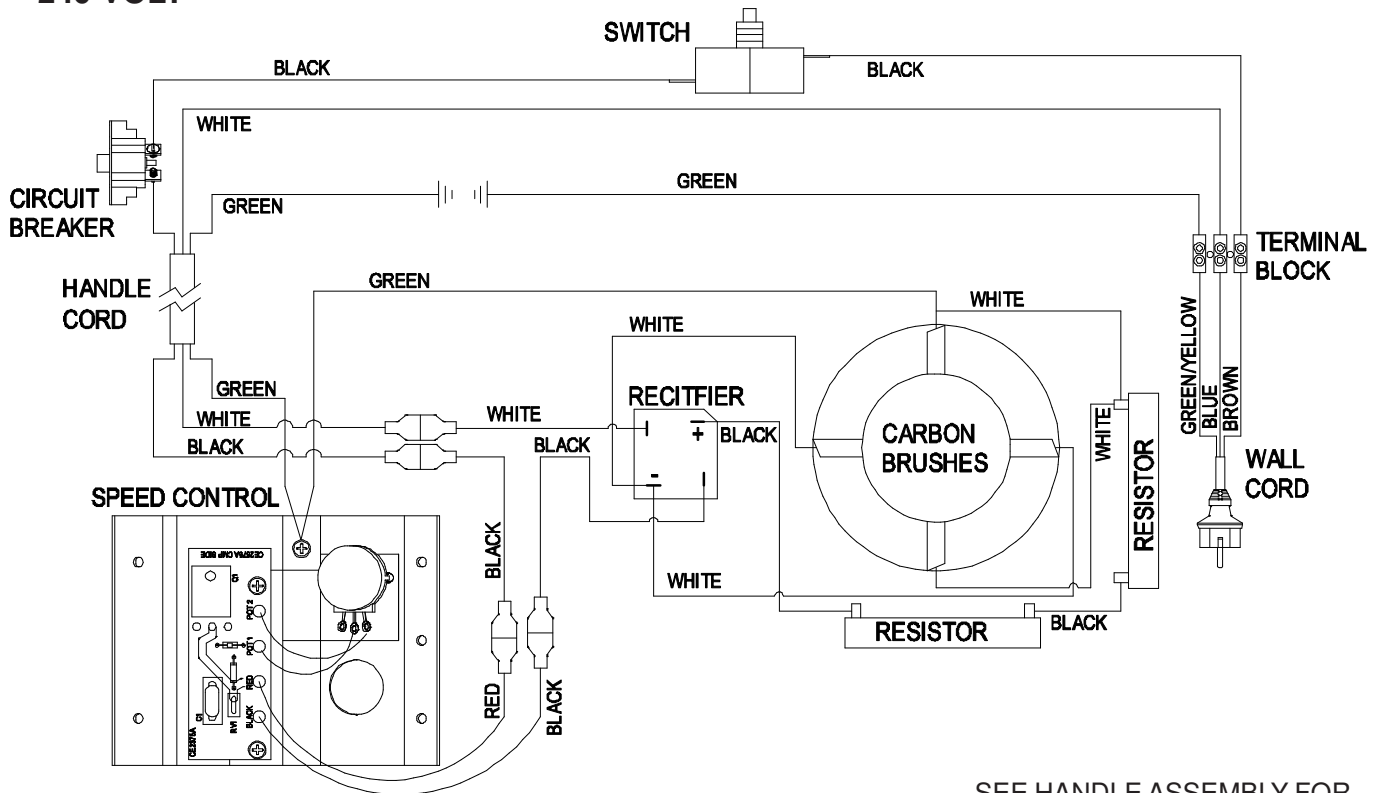
# WIRE DIAGRAM - VARIABLE SPEED

**120 VOLT**



SEE HANDLE ASSEMBLY FOR COMPONENT NUMBERS

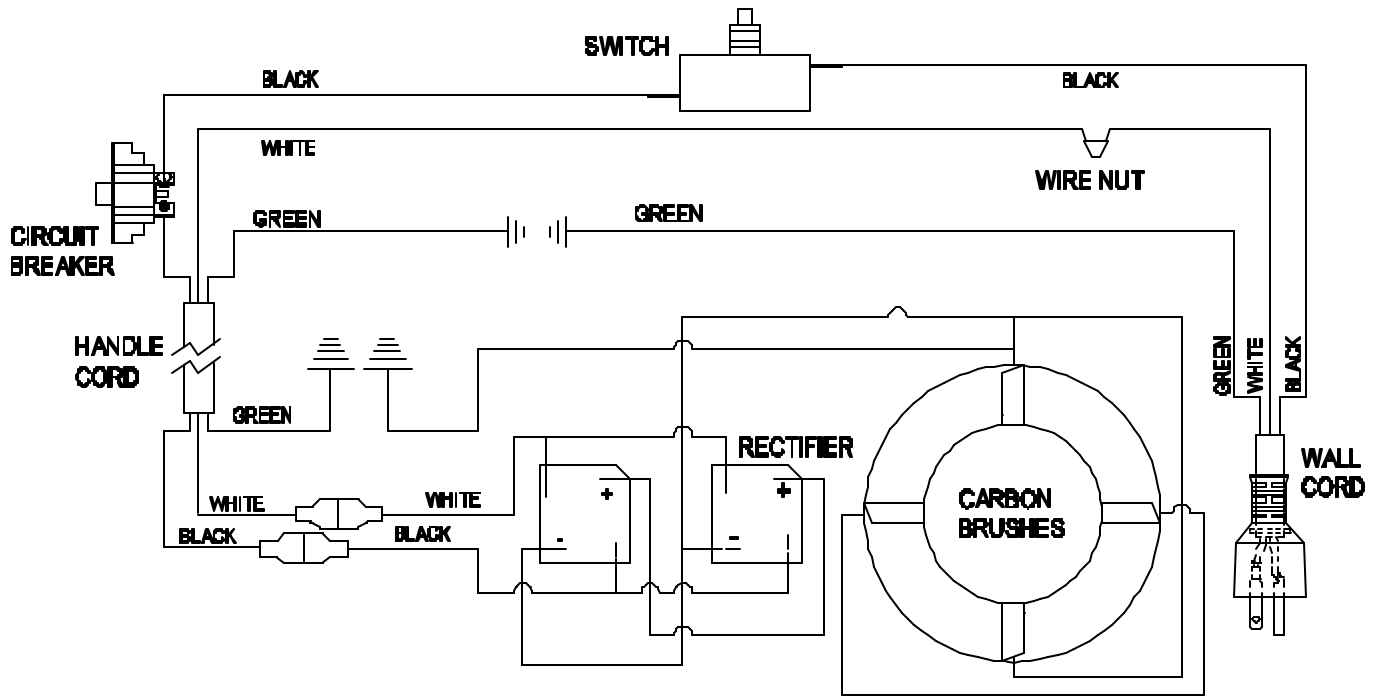
**240 VOLT**



SEE HANDLE ASSEMBLY FOR COMPONENT NUMBERS

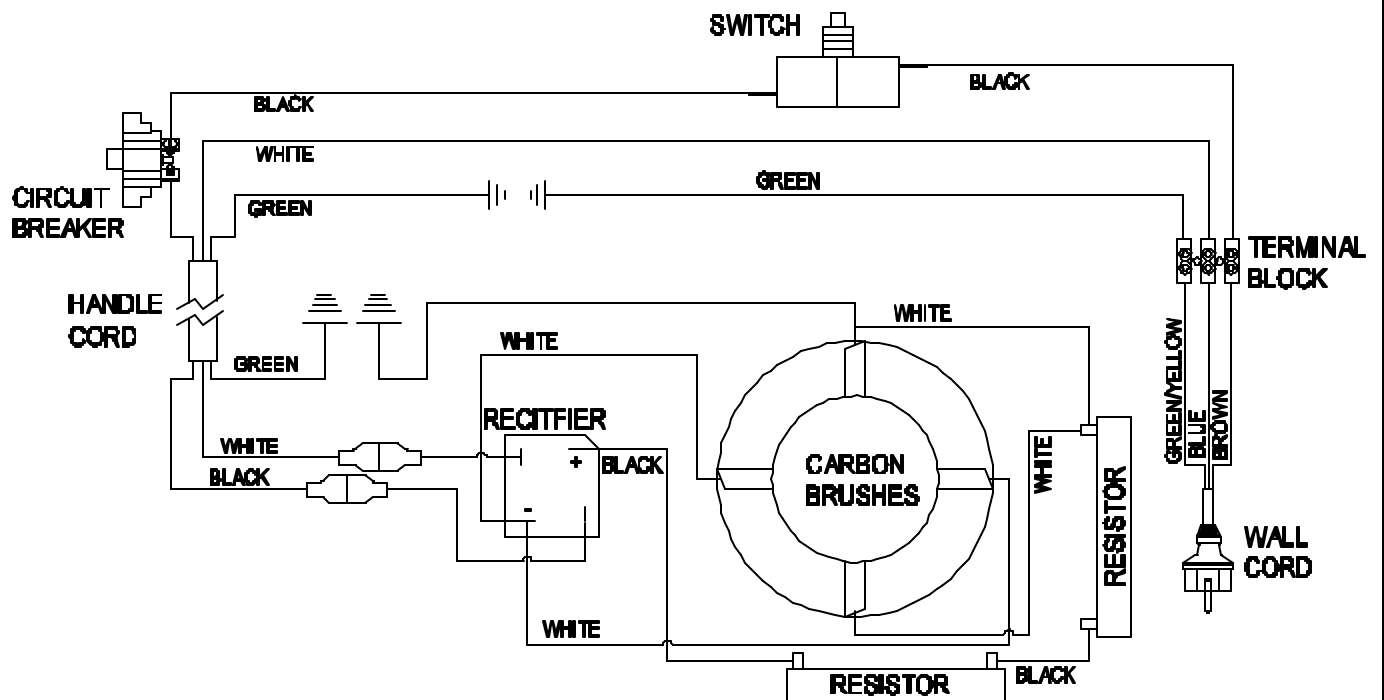
# WIRE DIAGRAM - SINGLE SPEED

120 VOLT



SEE HANDLE ASSEMBLY FOR COMPONENT NUMBERS

240 VOLT

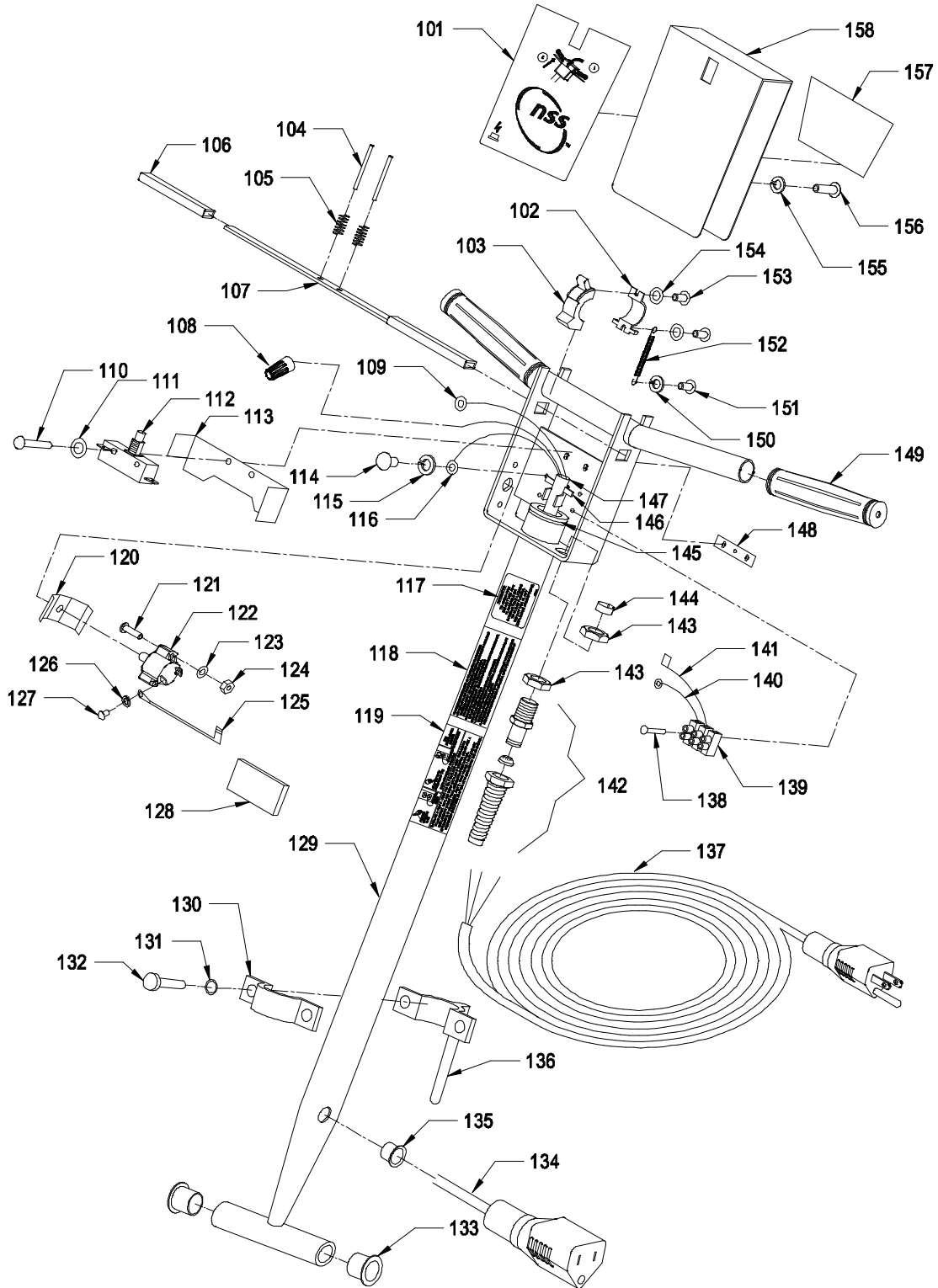


SEE HANDLE ASSEMBLY FOR COMPONENT NUMBERS

## **HANDLE ASSEMBLY**

| <b>ITEM</b> | <b>PART NO.</b> | <b>PART DESCRIPTION</b>                                      | <b>QTY.</b> |
|-------------|-----------------|--|-------------|
|             | 5490189         | HANDLE ASSEMBLY - 120 VOLT                                   | 1           |
|             | 5490679         | HANDLE ASSEMBLY - 240 VOLT                                   | 1           |
| 101         | 5392421         | DECAL - "SWITCH BOX - CIRCUIT BREAKER ICON"                  | 1           |
| 102         | 0393511         | LOCKOUT BRACKET  | 1           |
| 103         | 0393521         | LOCK OUT   | 1           |
| 104         | 9120828         | 1/8 X 1 3/4 ROLL PIN   | 2           |
| 105         | 5390171         | SWITCH LEVER SPRING  | 2           |
| 106         | 0393411         | GRIP - SWITCH LEVER  | 2           |
| 107         | 0393401         | SWITCH LEVER   | 1           |
| 108         | 5391321         | WIRE NUT - ORANGE  | 1           |
| 109         | 0294031         | # 8 RING TERMINAL - 120 VOLT ONLY                            | 1           |
|             | 5092331         | FLAG TERMINAL - CRIMP ON - 240 VOLT ONLY                     | 1           |
| 110         | 9120100         | 6-32 X 1 ROUND HEAD PHILLIPS MACHINE SCREW                   | 2           |
| 111         | 9120130         | 6 EXTERNAL STAR LOCK WASHER                                  | 2           |
| 112         | 5390211         | SWITCH   | 1           |
| 113         | 5390361         | SWITCH INSULATOR   | 1           |
| 114         | 9120380         | 10-24 X 3/8 ROUND HEAD PHILLIPS MACHINE SCREW                | 1           |
| 115         | 9120320         | 10 SPLIT LOCK WASHER   | 1           |
| 116         | 0298981         | # 10 RING TERMINAL 14-16 GAGE                                | 1           |
| 117         | 5392401         | DECAL - "WARNING - FIRE"                                     | 1           |
| 118         | 0190901         | DECAL - "WARNING" - 120 VOLT ONLY                            | 1           |
|             | 0190921         | DECAL - "ICON ADAPTOR" LABEL - 240 VOLT ONLY                 | 1           |
| 119         | 0190911         | DECAL - "GROUNDING" LABEL - 120 VOLT ONLY                    | 1           |
| 120         | 5490441         | INSULATION - BREAKER LEAD                                    | 1           |
| 121         | 9120430         | 10-24 X 3/4 ROUND HEAD PHILLIPS MACHINE SCREW                | 2           |
| 122         | 5490401         | 20 AMP CIRCUIT BREAKER - 120 VOLT ONLY                       | 1           |
|             | 5294581         | 8 AMP CIRCUIT BREAKER - 240 VOLT ONLY                        | 1           |
| 123         | 9120320         | 10 SPLIT LOCK WASHER   | 1           |
| 124         | 9120360         | 10-24 HEX NUT WITH STAR LOCK WASHER                          | 2           |
| 125         | 5490451         | CIRCUIT BREAKER LEAD - 4"                                    | 1           |
| 126         | 9120200         | 8 SPLIT LOCK WASHER  | 1           |
| 127         | 9120223         | 8-32 X 1/4 PAN HEAD PHILLIPS MACHINE SCREW                   | 1           |
| 128         | 5390511         | FOAM PAD   | 1           |
| 129         | 5391891         | HANDLE   | 1           |
| 130         | 5091636         | CORD HOOK CLAMP  | 1           |
| 131         | 9120880         | 1/4 SPLIT LOCK WASHER  | 2           |
| 132         | 9121010         | 1/4-20 X 3/4 TRUSS HEAD PHILLIPS MACHINE SCREW               | 2           |
| 133         | 5090441         | NYLON BUSHING  | 2           |
| 134         | 5490151         | HANDLE CORD  | 1           |
| 135         | 5293131         | GROMMET  | 1           |
| 136         | 5091682         | CORD HOOK  | 1           |
| 137         | 5293791         | CORD - 75 FEET - 14-3 - 120 VOLT ONLY                        | 1           |
|             | 0299671         | SHUKO CORD - 75 FEET - 16-3 - 240 VOLT ONLY                  | 1           |
| 138         | 9120080         | 6-32 X 3/4 ROUND HEAD PHILLIPS MACHINE SCREW - 240 VOLT ONLY | 1           |
| 139         | 5391931         | TERMINAL BLOCK - 240 VOLT ONLY                               | 1           |
| 140         | 5391921         | WIRE - GROUND - 240 VOLT ONLY                                | 1           |
| 141         | 5391911         | WIRE - DEAD MAN - 240 VOLT ONLY                              | 1           |
| 142         | 5091671         | STRAIN RELIEF - 120 VOLT                                     | 1           |
|             | 0299531         | STRAIN RELIEF - 240 VOLT                                     | 1           |
| 143         | 5390261         | STRAIN RELIEF NUT - 120 VOLT                                 | 2           |
|             | 0891131         | STRAIN RELIEF NUT - 240 VOLT                                 | 1           |
| 144         | 5092371         | STRAIN RELIEF CORD CLAMP - 120 VOLT                          | 1           |
|             | 0299661         | STRAIN RELIEF CORD CLAMP - 240 VOLT                          | 1           |
| 145         | 5091656         | 7/8 I.D. X 1 3/8 O.D. X .112 THICK FLAT WASHER               | 1           |
| 146         | 5091661         | CORD CLAMP   | 1           |
| 147         | 8791070         | VINYL HOSE   | 1           |
| 148         | 9120025         | 6-32 DOUBLE HOLE SWITCH SPEED NUT                            | 1           |
| 149         | 5491211         | HANDLE GRIP  | 2           |
| 150         | 9120320         | 10 SPLIT LOCK WASHER   | 1           |

# HANDLE ASSEMBLY

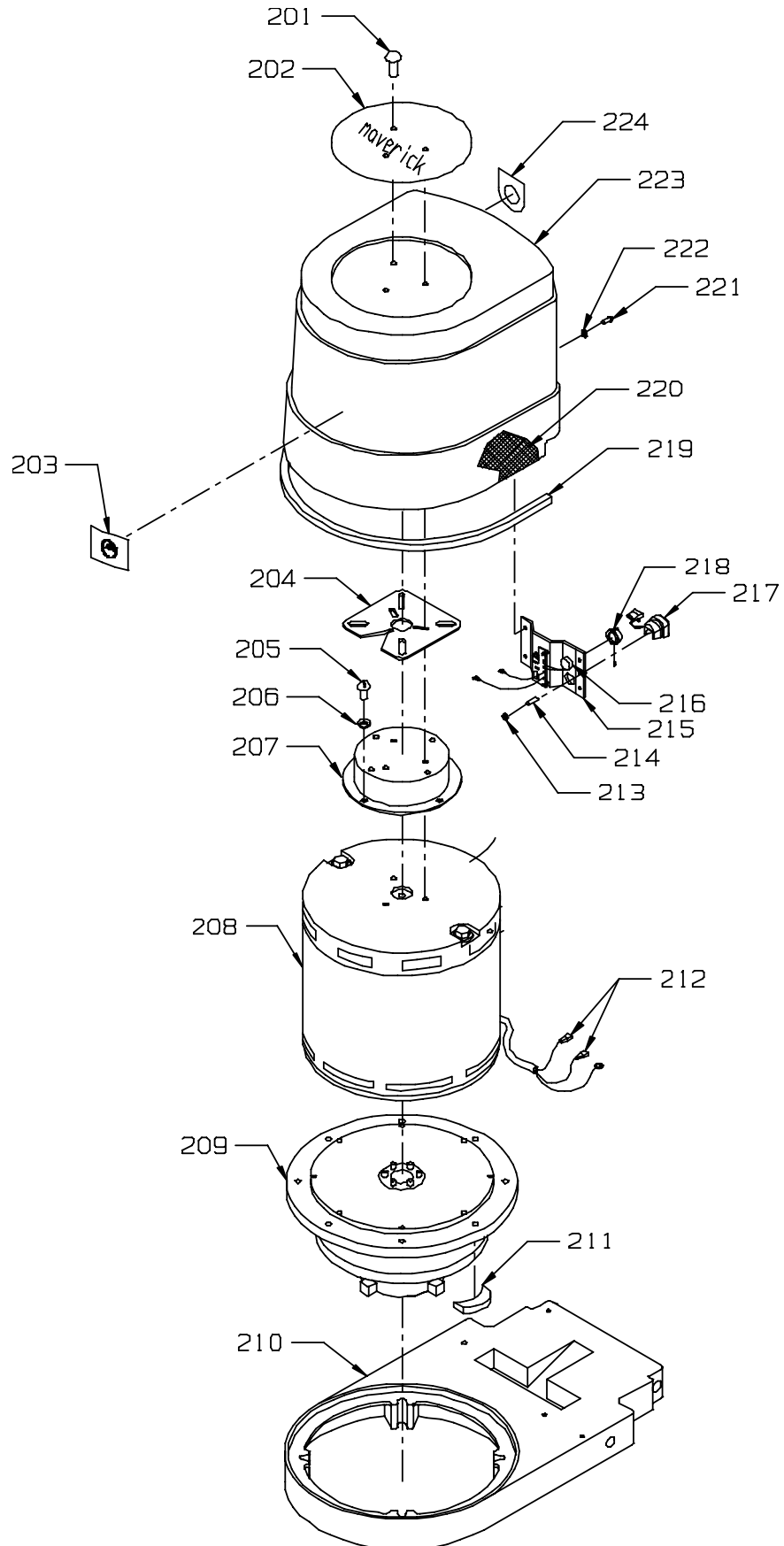


|     |         |   |   |
|-----|---------|---|---|
| 151 | 9120380 | 10-24 X 3/8 ROUND HEAD PHILLIPS MACHINE SCREW         | 1 |
| 152 | 0393381 | SPRING  | 1 |
| 153 | 0393881 | M3 X .05 X 8mm PAN HEAD PHILLIPS THREAD CUTTING SCREW | 2 |
| 154 | 0393841 | M3 EXTERNAL STAR LOCK WASHER                          | 2 |
| 155 | 9120320 | 10 SPLIT LOCK WASHER                                  | 1 |
| 156 | 9120430 | 10-24 X 3/4 ROUND HEAD PHILLIPS MACHINE SCREW         | 1 |
| 157 | 5392471 | DECAL - "OPERATION"                                   | 1 |
| 158 | 5391873 | SWITCH BOX COVER                                      | 1 |

## **UPPER BASE ASSEMBLY**

| <b>ITEM</b> | <b>PART NO.</b> | <b>PART DESCRIPTION</b>                       | <b>QTY.</b> |
|-------------|-----------------|---|-------------|
| 201         | 9120510         | 10-24 X 1/2 TRUSS HEAD PHILLIPS MACHINE SCREW | 3           |
| 202         | -----           | DECAL KIT - "TOP COVER"                       | 1           |
| 203         | 0393531         | NSS LOGO DECAL                                | 1           |
| 204         | 5293951         | CORK PAD                                      | 1           |
| 205         | 9120220         | 8-32 X 3/8 ROUND HEAD PHILLIPS MACHINE SCREW  | 4           |
| 206         | 9120180         | 8 INTERNAL STAR LOCK WASHER                   | 4           |
| 207         | 5490113         | STANDOFF                                      | 1           |
|             | 5491801         | MOTOR AND GEAR - 120 VOLT - 1 1/2 H.P.        | 1           |
| 208         | 5490021         | MOTOR ONLY - 120 VOLT - 1 1/2 H.P.            | 1           |
| 209         | 5490031         | GEAR ONLY - 3 IDLER                           | 1           |
|             | 5490719         | MOTOR AND GEAR - 240 VOLT - 1 1/2 H.P.        | 1           |
| 208         | 5490701         | MOTOR ONLY - 240 VOLT - 1 1/2 H.P.            | 1           |
| 209         | 5490031         | GEAR ONLY - 3 IDLER                           | 1           |
| 210         | 5390013         | BASE  | 1           |
| 211         | 5091691         | RUBBER PAD                                    | 4           |
| 212         | 5490161         | FULLY INSULATED FEMALE TERMINAL 14-16 GAGE    | 2           |
| 213         | 9120690         | 10-32 HEX NUT WITH STAR LOCK WASHER           | 1           |
| 214         | 9120650         | 10-32 X 3/4 SET SCREW - CUP POINT             | 1           |
| 215         | 5490079         | SPEED CONTROL - 120 VOLT - INCLUDES:          | 1           |
|             | 5490061         | SPEED CONTROL BRACKET                         | 1           |
| 216         | 5490241         | POTENTIOMETER                                 | 1           |
| 215         | 5490641         | SPEED CONTROL - 240 VOLT - INCLUDES:          | 1           |
|             | 5490061         | SPEED CONTROL BRACKET                         | 1           |
| 216         | 5490241         | POTENTIOMETER                                 | 1           |
| 217         | 5293941         | HEYCO STRAIN RELIEF                           | 1           |
| 218         | 5490131         | KNOB WITH SET SCREW                           | 1           |
| 219         | 8891080         | 3/16" X 5/16" NEOPRENE GASKET                 | 2           |
| 220         | 5490191         | FELT - INSIDE COVER                           | 1           |
| 221         | 9120740         | 10-32 X 3/8 TRUSS HEAD PHILLIPS MACHINE SCREW | 4           |
| 222         | 9120495         | 10 INTERNAL STAR LOCK WASHER                  | 4           |
| 223         | 5490041         | MOTOR COVER WITH BAFFLE                       | 1           |
| 224         | 5392361         | DECAL KIT - "SPEED CONTROL"                   | 1           |

# UPPER BASE ASSEMBLY

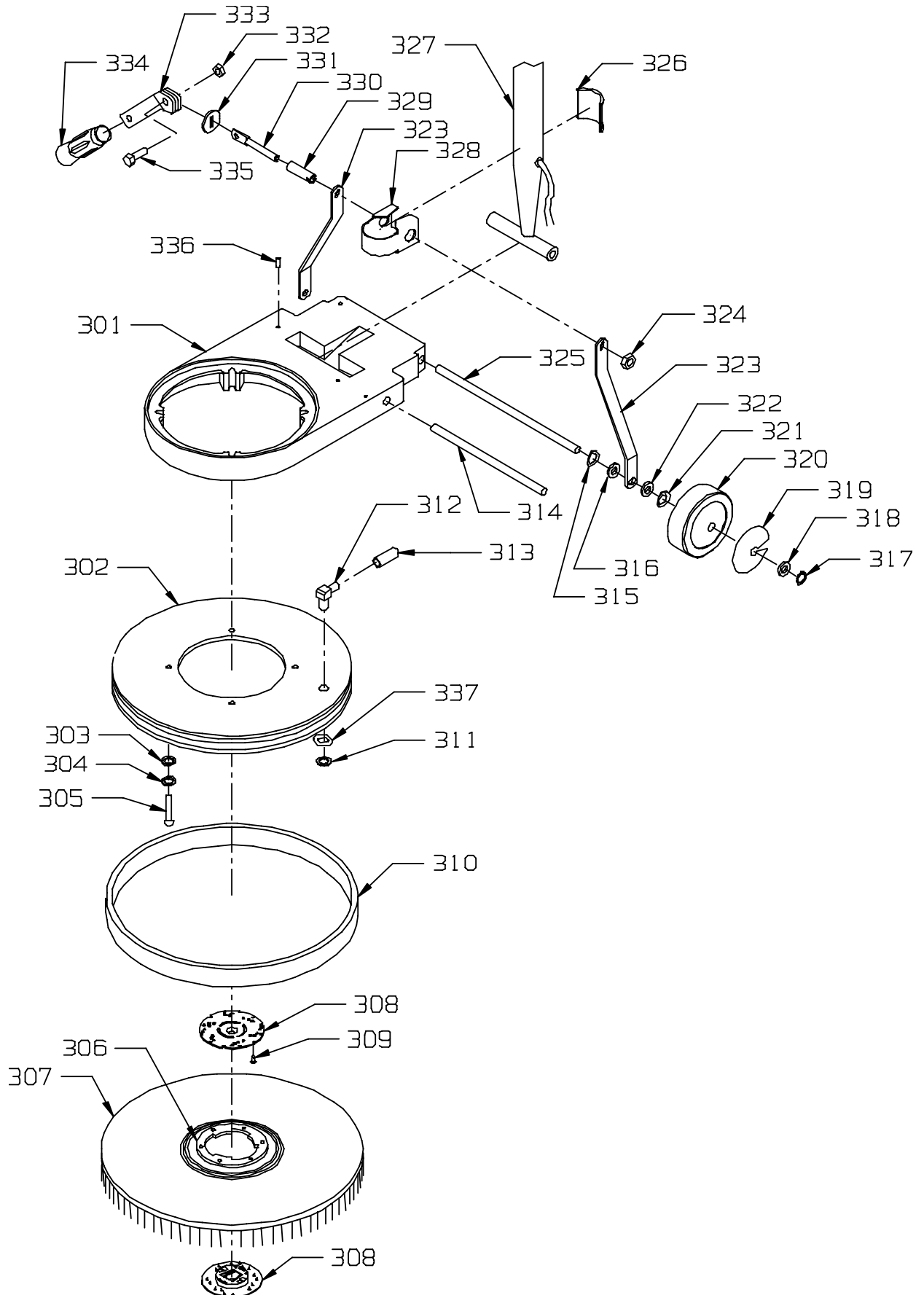


## LOWER BASE ASSEMBLY

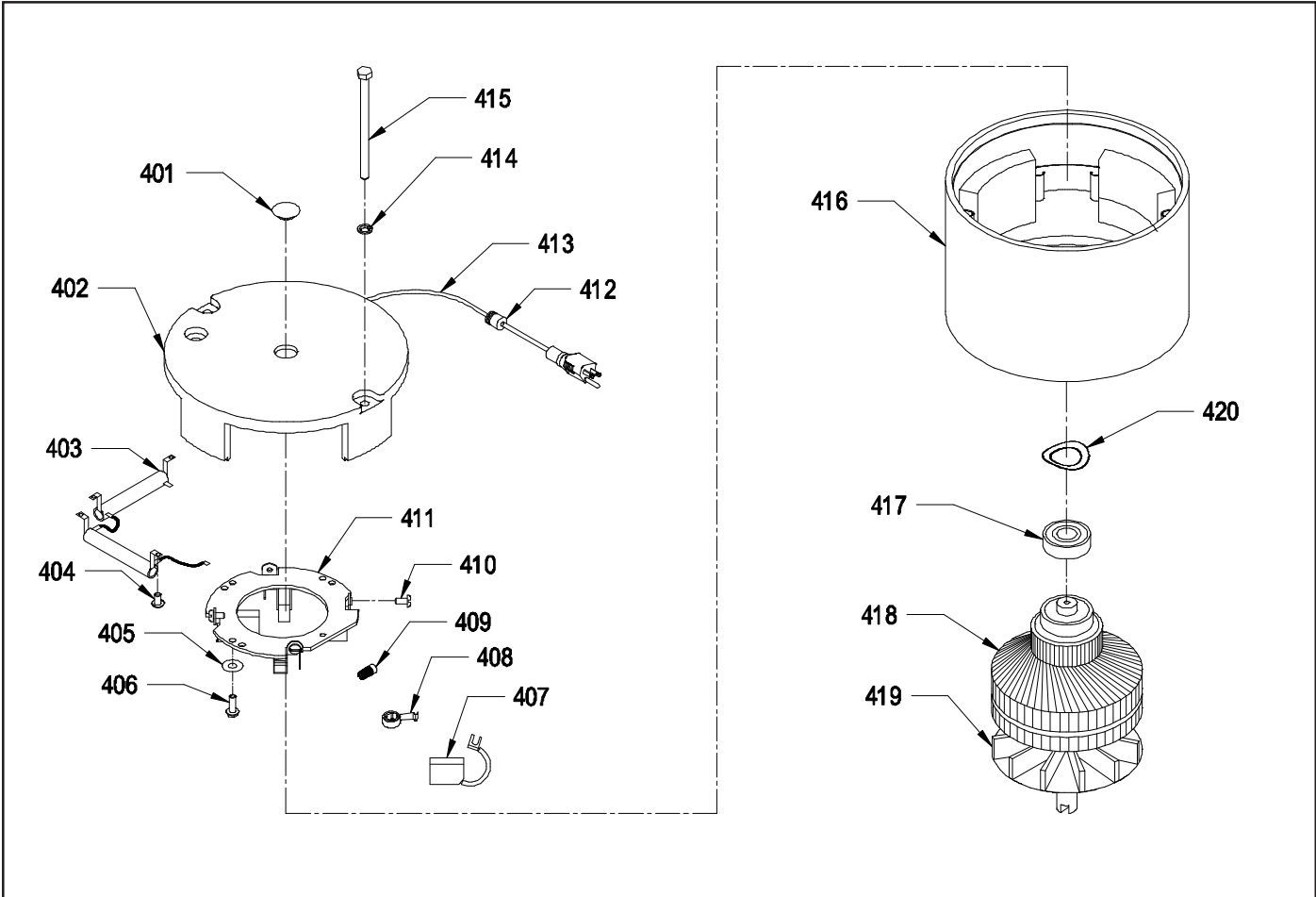
| <b>ITEM</b> | <b>PART NO.</b> | <b>PART DESCRIPTION</b>                                      | <b>QTY.</b> |
|-------------|-----------------|--|-------------|
| 301         | 5390013         | BASE   | 1           |
| 302         | 5090045         | SKIRT - 17"  | 1           |
|             | 5090065         | SKIRT - 20"  | 1           |
| 303         | 9121390         | 11/32 I.D. X 11/16 O.D. X .051/.080 THICK FLAT WASHER (5/16) | 4           |
| 304         | 9121520         | 5/16 SPLIT LOCK WASHER                                       | 4           |
| 305         | 9121545         | 5/16-18 X 2 1/2 SOCKET HEAD CAP SCREW                        | 4           |
| 306         | 2890971         | PLASTIC CLUTCH PLATE - 5" DIAMETER - 6 HOLES - BLACK         | 1           |
| 307         | 2897551         | 17" HIGH SPEED PAD DRIVER                                    | 1           |
|             | 2892551         | 20" HIGH SPEED PAD DRIVER                                    | 1           |
| 308         | 5990731         | SPRING CLIP PAD HOLDER SET - INCLUDES:                       | 1           |
| 309         | 9120140         | #6 X 5/8 PAN HEAD PHILLIPS SHEET METAL SCREW                 | 3           |
| 310         | 5090371         | BUMPER - 17"   | 1           |
|             | 5090401         | BUMPER - 20"   | 1           |
| 311         | 5092641         | RETAINING RING   | 1           |
| 312         | 5092630         | 90 DEGREE SOLUTION FEED TUBE                                 | 1           |
| 313         | 5092531         | SOLUTION FEED TUBE CAP                                       | 1           |
| 314         | 5390496         | HANDLE PIVOT BAR   | 1           |
| 315         | 9122705         | 1/2 I.D. X 3/4 O.D. X .01 THICK - 1 WAVE SPRING WASHER (1/2) | 2           |
| 316         | 5390811         | 1/2 I.D. X 1 O.D. X .07 THICK FLAT WASHER - NYLATRON         | 2           |
| 317         | 9122496         | RETAINING RING   | 2           |
| 318         | 9122465         | .516 I.D. X .813 O.D. X .027/.030 THICK FLAT WASHER          | 2           |
| 319         | 5090491         | DECAL KIT - "WHEEL COVER"                                    | 1           |
| 320         | 5092591         | WHEEL - 5" - WITH PLASTIC BEARING                            | 2           |
| 321         | 9122705         | 1/2 I.D. X 3/4 O.D. X .01 THICK - 1 WAVE SPRING WASHER (1/2) | 2           |
| 322         | 5390811         | 1/2 I.D. X 1 O.D. X .07 THICK FLAT WASHER - NYLATRON         | 2           |
| 323         | 5390026         | HANDLE BRACE   | 2           |
| 324         | 9122140         | 3/8-16 HEX NUT WITH NY-LOK INSERT                            | 1           |
| 325         | 5390136         | AXLE   | 1           |
| 326         | 5390826         | TUBE CLAMP SHOE  | 1           |
| 327         | 5391891         | HANDLE   | 1           |
| 328         | 5390043         | TUBE CLAMP   | 1           |
| 329         | 5390201         | RUBBER TUBING  | 1           |
| 330         | 0393141         | FLATTENED CLAMP BOLT   | 1           |
| 331         | 0393131         | SLOTTED WASHER   | 1           |
| 332         | 9121420         | 5/16-18 HEX NUT  | 1           |
| 333         | 0393121         | CLAMP LEVER  | 1           |
| 334         | 0393321         | HANDLE GRIP  | 1           |
| 335         | 9121680         | 5/16-18 X 1 HEX BOLT   | 1           |
| 336         | 9120850         | 1/4-20 X 5/16 SET SCREW - KNURL POINT                        | 1           |
| 337         | 5990331         | O-RING   | 1           |



# LOWER BASE ASSEMBLY

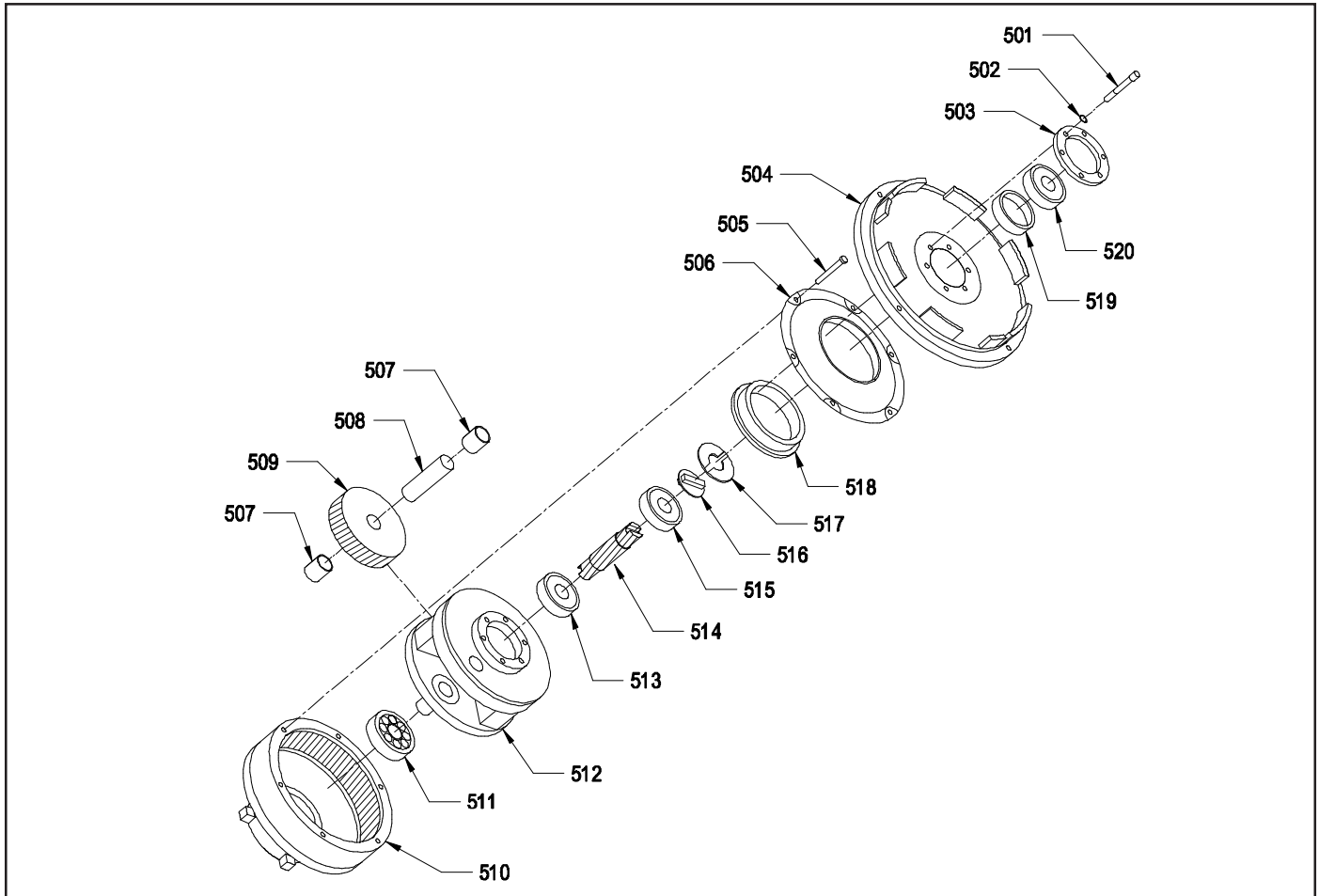


# MOTOR ASSEMBLY



| <u>ITEM</u> | <u>PART NO.</u> | <u>PART DESCRIPTION</u>   | <u>QTY.</u> |
|-------------|-----------------|---|-------------|
| 401         | ---             | PLUG - NOT AVAILABLE  | 1           |
| 402         | 5294401         | TOP END BELL ASSEMBLY WITH PIGTAIL                                    | 1           |
|             | 5294111         | TOP END BELL ONLY   | 1           |
| 403         | 5492741         | RECTIFIER - 60 AMP  | 2           |
| 404         | 9120260         | 8-32 X 3/4 ROUND HEAD PHILLIPS MACHINE SCREW                          | 1           |
| 405         | 9120330         | 10 EXTERNAL STAR LOCK WASHER  | 2           |
| 406         | 9120771         | 10-32 X 5/8 PAN HEAD PHILLIPS MACHINE SCREW                           | 2           |
| 407         | 5294051         | CARBON BRUSHES  | 4           |
| 408         | 5293881         | BRUSH SPRING  | 4           |
| 409         | 5391321         | WIRE NUT - ORANGE   | 1           |
| 410         | 9120560         | 10-24 X 1/4 BINDING HEAD SLOT MACHINE SCREW - BRASS                   | 4           |
| 411         | 5490421         | BRUSH RING ASSEMBLY WITH DUAL RECTIFIERS                              | 1           |
| 412         | 5293941         | HEYCO STRAIN RELIEF   | 1           |
| 413         | 5990511         | CORD  | 1           |
| 414         | 9120880         | 1/4 SPLIT LOCK WASHER   | 2           |
| 415         | 5492801         | 1/4-20 X 7 HEX WASHER HEAD THRU BOLT                                  | 2           |
| 416         | 5294121         | FRAME WITH MAGNETS  | 1           |
| 417         | 5092041         | BEARING - TOP   | 1           |
| 418         | 5490211         | ARMATURE AND VENT FAN ASSEMBLY - 120 VOLT                             | 1           |
|             | 5294741         | ARMATURE AND VENT FAN ASSEMBLY - 240 VOLT                             | 1           |
| 419         | 4491731         | VENT FAN  | 1           |
| 420         | 9123105         | 1 3/16 I.D. X 1 1/2 O.D. X .018 THICK - 2 WAVE SPRING WASHER (1 3/16) | 2           |

## GEAR BOX ASSEMBLY



| <b>ITEM</b> | <b>PART NO.</b> | <b>PART DESCRIPTION</b>              | <b>QTY.</b> |
|-------------|-----------------|--------------------------------------|-------------|
| 501         | 9120774         | 10-32 X 1 3/16 SOCKET HEAD CAP SCREW | 6           |
| 502         | 9120495         | 10 INTERNAL STAR LOCK WASHER         | 6           |
| 503         | 5391021         | BEARING RETAINER PLATE               | 1           |
| 504         | 5391101         | MOTOR END BELL                       | 1           |
| 505         | 9120430         | 10-24 X 3/4 ROUND HEAD MACHINE SCREW | 6           |
| 506         | 5391131         | GEAR HOUSING COVER                   | 1           |
| 507         | 5391171         | IDLER SHAFT BEARING                  | 6           |
| 508         | 5391181         | IDLER SHAFT                          | 3           |
| 509         | 5391191         | IDLER GEAR                           | 3           |
| 510         | 5391231         | GEAR HOUSING                         | 1           |
| 511         | 5391201         | LOWER BEARING                        | 1           |
| 512         | 5391161         | 3 IDLER CAGE                         | 1           |
| 513         | 5391031         | BEARING                              | 3           |
| 514         | 5391071         | PINION - 13 TEETH                    | 1           |
| 515         | 5391031         | BEARING                              | 3           |
| 516         | 5391051         | ODUM COUPLING                        | 1           |
| 517         | 5391251         | SHAFT WASHER                         | 1           |
| 518         | 5391141         | BEARING - GEAR HOUSING               | 1           |
| 519         | 5391041         | BEARING SPACER                       | 1           |
| 520         | 5391031         | BEARING                              | 3           |

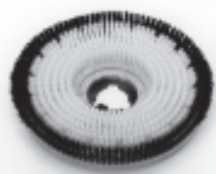
## ACCESSORIES



- 2890101 PLASTIC CLUTCH PLATE - 5" DIAMETER - 6 HOLES
- 2890981 PLASTIC CLUTCH PLATE - 4" DIAMETER - 3 HOLES
- 2890991 ALUMINUM CLUTCH PLATE - 5" DIAMETER - 6 HOLES
- 2893001 ALUMINUM CLUTCH PLATE - 4" DIAMETER - 3 HOLES



- 2897211 17" POLY BACK TUFTED PAD DRIVER
- 2897601 17" STRUCTURAL FOAM PAD DRIVER
- 2897201 17" POLY BACK NYLON FILL SCRUB BRUSH - LIGHT TO MEDIUM SCRUB
- 2897711 17" POLY BACK NYLON GRIT FILL SCRUB BRUSH - HEAVY CONCRETE SCRUB
- 2897821 17" POLY BACK NYLON - SOFT SCRUB BRUSH - CARPET ONLY
- 2897901 17" POLY BACK SCRUB GRIT BRUSH - MILD TO MEDIUM SCRUB



- 2892211 20" POLY BACK TUFTED PAD DRIVER
- 2892601 20" STRUCTURAL FOAM PAD DRIVER
- 2892201 20" POLY BACK NYLON FILL SCRUB BRUSH - LIGHT TO MEDIUM SCRUB
- 2892651 20" POLY BACK NYLON FILL SCRUB BRUSH - WITH GUIDE FOR CARPET SHAMPOOING
- 2892711 20" POLY BACK NYLON GRIT FILL SCRUB BRUSH - HEAVY CONCRETE SCRUB
- 2892031 20" PLASTIC BACK BASSINE SCRUB BRUSH - GENERAL SCRUB
- 2892701 20" POLY BRUSH - SHOWER FEED - STANDARD CARPET SCRUB
- 2892901 20" POLY BACK SCRUB GRIT BRUSH - MILD TO MEDIUM SCRUB



- NOTE: ALL PADS COME 5 PADS PER CASE
- 7991751 17" LITE BLUE POLISH/BURNISH PAD - SOFT FINISH
  - 7991741 17" UHS CLEAN BUFF PAD - REMOVE SCUFF MARKS NOT FINISH
  - 7991731 17" BLUE SCRUB PAD - TOP SCRUB AND LIGHT FINISH REMOVAL
  - 7991721 17" GREEN SCRUB PAD - HEAVY FINISH REMOVAL
  - 7991701 17" BLACK STRIP PAD - REMOVES FINISH COMPLETELY

- 7992051 20" LITE BLUE POLISH/BURNISH PAD - SOFT FINISH
- 7992041 20" UHS CLEAN BUFF PAD - REMOVE SCUFF MARKS NOT FINISH
- 7992031 20" BLUE SCRUB PAD - TOP SCRUB AND LIGHT FINISH REMOVAL
- 7992021 20" GREEN SCRUB PAD - HEAVY FINISH REMOVAL
- 7992001 20" BLACK STRIP PAD - REMOVES FINISH COMPLETELY
- 7992011 20" BROWN STRIP PAD - REMOVES FINISH COMPLETELY

### TWISTER PADS

- |         |                         |         |                         |
|---------|-------------------------|---------|-------------------------|
| 7991691 | 17" TWISTER STARTER KIT | 7992201 | 20" TWISTER STARTER KIT |
| 7991801 | 17" TWISTER RED PAD     | 7992141 | 20" TWISTER RED PAD     |
| 7991791 | 17" TWISTER WHITE PAD   | 7992131 | 20" TWISTER WHITE PAD   |
| 7991771 | 17" TWISTER YELLOW PAD  | 7992121 | 20" TWISTER YELLOW PAD  |
| 7991761 | 17" TWISTER GREEN PAD   | 7992101 | 20" TWISTER GREEN PAD   |



- 2890201 SPRAY BUFF APPLICATOR - PUMP UP TYPE



- 5094771 DELUXE SOLUTION TANK - 3.5 GALLON WITH BRASS VALVES



### **NSS ® Enterprises, Inc.**

3115 Frenchmens Road, Toledo, Ohio 43607  
 PHONE (419) 531-2121 FAX (419) 531-3761

**NSS ® Enterprises, Inc. European Distribution Centre**  
 Unit II, Pinfold Trading Estate \* 55 Nottingham Road  
 STAPLEFORD, NOTTINGHAM NG9 8AD ENGLAND U.K.  
 PHONE: (44) 0115 939 1568 \* FAX: (44) 0115 949 0615