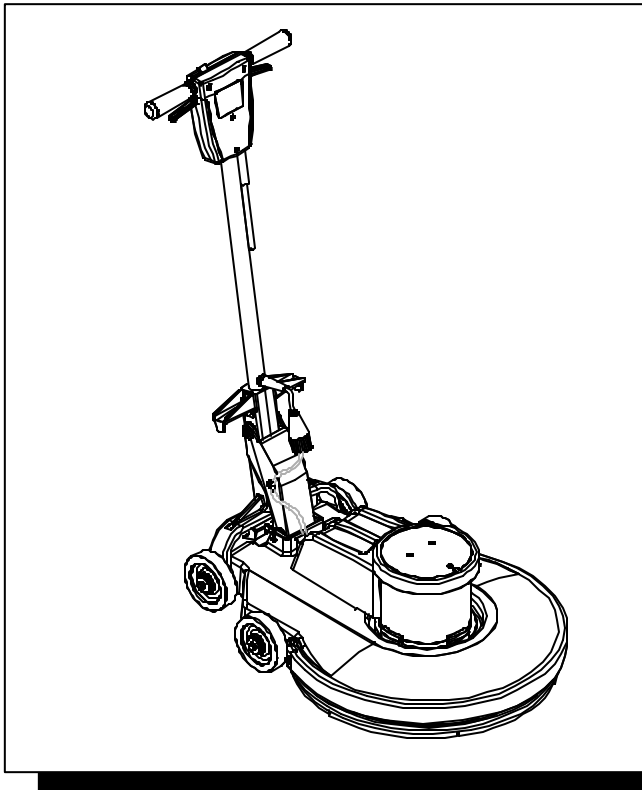




## HIGH SPEED BURNISHER



Operating Instructions (ENG)  
Instrucciones de Funcionamiento (SPA)  
Bedienungsanleitung (GER)  
Istruzioni operative (ITA)

**MODELS: MB2000I**

**QUEST**® ... for Continuous Improvement.  
Windsor's Quality Management System is Certified ISO 9001.



*Read these instructions before using the machine  
Lea las instrucciones antes de utilizar la máquina  
Bitte lesen Sie diese Anleitungen, bevor Sie die Maschine in Gebrauch nehmen  
Leggere attentamente le presenti istruzioni prima di azionare la macchina*



## **MACHINE DATA LOG/OVERVIEW**

**MODEL** \_\_\_\_\_

**DATE OF PURCHASE** \_\_\_\_\_

**SERIAL NUMBER** \_\_\_\_\_

### **YOUR DEALER**

**Name:** \_\_\_\_\_

**Address:** \_\_\_\_\_

**Phone Number:** \_\_\_\_\_

### **OVERVIEW**

The MB2000I is a mains powered, portable floor burnisher intended for commercial use. The appliance can be fitted with a variety of pads to perform various floor care functions. The appliance employs active dust control, and automatically adjusted pad pressure.

# TABLE OF CONTENTS

*Machine Data Log/Overview* .....2  
*Table of Contents* .....3

## HOW TO USE THIS MANUAL

*How to use this Manual*..... 1-1

## SAFETY

*Important Safety Instructions*.....2-1  
*Hazard Intensity Level* .....2-2  
*Grounding Instructions*.....2-3

## OPERATION

*Technical Specifications* .....3-1  
*Handle Installation*.....3-2  
*Operation*.....3-3  
*Pad Driver Installation*.....3-3

## MAINTENANCE

*Machine Troubleshooting*.....4-1  
*Wiring Diagram/Notes* .....4-2

## GROUP PARTS LIST

*Deck Group*.....5-1  
*Handle Group*.....5-3  
*Lower Handle Group*.....5-5  
*Motor Group*.....5-7  
*Pad Driver Group*.....5-9  
*Wiring Group*.....5-11  
*Suggested Spare Parts*.....5-13

# HOW TO USE THIS MANUAL

This manual contains the following sections:

- HOW TO USE THIS MANUAL
- SAFETY
- OPERATIONS
- MAINTENANCE
- PARTS LIST

The HOW TO USE THIS MANUAL section will tell you how to find important information for ordering correct repair parts.

Parts may be ordered from authorized Windsor dealers. When placing an order for parts, the machine model and machine serial number are important. Refer to the MACHINE DATA box which is filled out during the installation of your machine. The MACHINE DATA box is located on the inside of the front cover of this manual.

MODEL _____
DATE OF PURCHASE _____
SERIAL NUMBER _____
SALES REPRESENTATIVE # _____
DEALER NAME _____
OPERATIONS GUIDE NUMBER _____
PUBLISHED _____

The SAFETY section contains important information regarding hazard or unsafe practices of the machine. Levels of hazards is identified that could result in product or personal injury, or severe injury resulting in death.

The OPERATIONS section is to familiarize the operator with the operation and function of the machine.

The MAINTENANCE section contains preventive maintenance to keep the machine and its components in good working condition.

The PARTS LIST section contains assembled parts illustrations and corresponding parts list. The parts lists include a number of columns of information:

- **REF** – column refers to the reference number on the parts illustration.
- **PART NO.** – column lists the part number for the part.
- **QTY** – column lists the quantity of the part used in that area of the machine.
- **DESCRIPTION** – column is a brief description of the part.
- **SERIAL NO. FROM** – column indicates the first machine the part number is applicable to. When the machine design has changed, this column will indicate serial number of applicable machine. The main illustration shows the most current design of the machine. The boxed illustrations show older designs.
- **NOTES** – column for information not noted by the other columns.

*NOTE: If a service or option kit is installed on your machine, be sure to keep the KIT INSTRUCTIONS which came with the kit. It contains replacement parts numbers needed for ordering future parts.*

# IMPORTANT SAFETY INSTRUCTIONS

When using an electrical appliance, basic precaution must always be followed, including the following:

READ ALL INSTRUCTIONS BEFORE USING THIS MACHINE.



## **WARNING:**

To reduce the risk of fire, electric shock, or injury:

**Use only** indoors. Do not use outdoors or expose to rain.

**Use only** as described in this manual. Use only manufacturer's recommended components and attachments.

If the machine is **not working properly**, has been dropped, damaged, left outdoors, or dropped into water, return it to an authorized service center.

**Do not** operate the machine with any openings blocked. Keep openings free of debris that may reduce airflow.

**Machine can cause a fire** when operating near flammable vapors or materials. Do not operate this machine near flammable fluids, dust or vapors.

**This machine is suitable for commercial use, for example in hotels, schools, hospitals, factories, shops and offices for more than normal housekeeping purposes.**

Maintenance and repairs **must be done** by qualified personnel.

**During operation**, attention shall be paid to other persons, especially children.

**The machine shall only** be operated by instructed and authorized persons.

**When leaving unattended**, unplug the machine.

**Do not** handle the plug or machine with wet hands.

**Do not** unplug machine by pulling on cord. To unplug, grasp the plug, not the cord.

**Do not** use with damaged cord or plug. Follow all instructions in this manual concerning grounding the machine.

**Do not** pull or carry by cord, use cord as a handle, close a door on cord, or pull cord around sharp edges or corners.

**Do not** pull/run machine over cord. **Keep** cord away from heated surfaces.

Connect to a **properly** grounded outlet. See Grounding Instructions.

If the supply cord is damaged it must be replaced by a special cord from an authorized service agent.

Unplug before cleaning or servicing.

Operational hazard may occur when running the machine over the supply cord.

This appliance has been designed for use with pads specified by the manufacturer. The fitting of other pads may affect its safety.

This machine is for dry use only and shall not be used or stored outdoors in wet conditions.

## SAVE THESE INSTRUCTIONS

## **HAZARD INTENSITY LEVEL**

The following symbols are used throughout this guide as indicated in their descriptions:

### **HAZARD INTENSITY LEVEL**

There are three levels of hazard intensity identified by signal words -**WARNING** and **CAUTION** and **FOR SAFETY**. The level of hazard intensity is determined by the following definitions:

#### **! WARNING**

**WARNING** - Hazards or unsafe practices which COULD result in severe personal injury or death.

#### **! CAUTION**

**CAUTION** - Hazards or unsafe practices which could result in minor personal injury or product or property damage.

#### ***FOR SAFETY: To identify actions which must be followed for safe operation of equipment.***

Report machine damage or faulty operation immediately. Do not use the machine if it is not in proper operating condition. Following is information that signals some potentially dangerous conditions to the operator or the equipment. Read this information carefully. Know when these conditions can exist. Locate all safety devices on the machine. Please take the necessary steps to train the machine operating personnel.

#### ***FOR SAFETY:***

**DO NOT OPERATE MACHINE:**

Unless Trained and Authorized.

Unless Operation Guide is Read and understood.

In Flammable or Explosive areas.

In areas with possible falling objects.

#### ***WHEN SERVICING MACHINE:***

**Avoid moving parts. Do not wear loose clothing; jackets, shirts, or sleeves when working on the machine. Use Windsor approved replacement parts.**

**THIS PRODUCT IS FOR COMMERCIAL USE ONLY.**

### **ELECTRICAL:**

The amp, hertz, and voltage are listed on the data label found on each machine. Using voltages above or below those indicated on the data label will cause serious damage to the motors.

### **EXTENSION CORDS:**

If an extension cord is used, the wire size must be at least one size larger than the power cord on the machine, and must be limited to 50 feet (15.5m) in length.

### **GROUNDING INSTRUCTIONS:**

This appliance must be grounded. If it should malfunction or break down, grounding provides a path of least resistance for electric current to reduce the risk of electric shock. This appliance is equipped with a cord having an equipment-grounding conductor and grounding plug. The plug must be inserted into an appropriate outlet that is properly installed and grounded in accordance with all local codes and ordinances.

***Improper connection of the equipment-grounding conductor can result in a risk of electric shock. Check with a qualified electrician or service person if you are in doubt as to whether the outlet is properly grounded. Do not modify the plug provided with the appliance - if it will not fit the outlet, have a proper outlet installed by a qualified electrician.***

## TECHNICAL SPECIFICATIONS

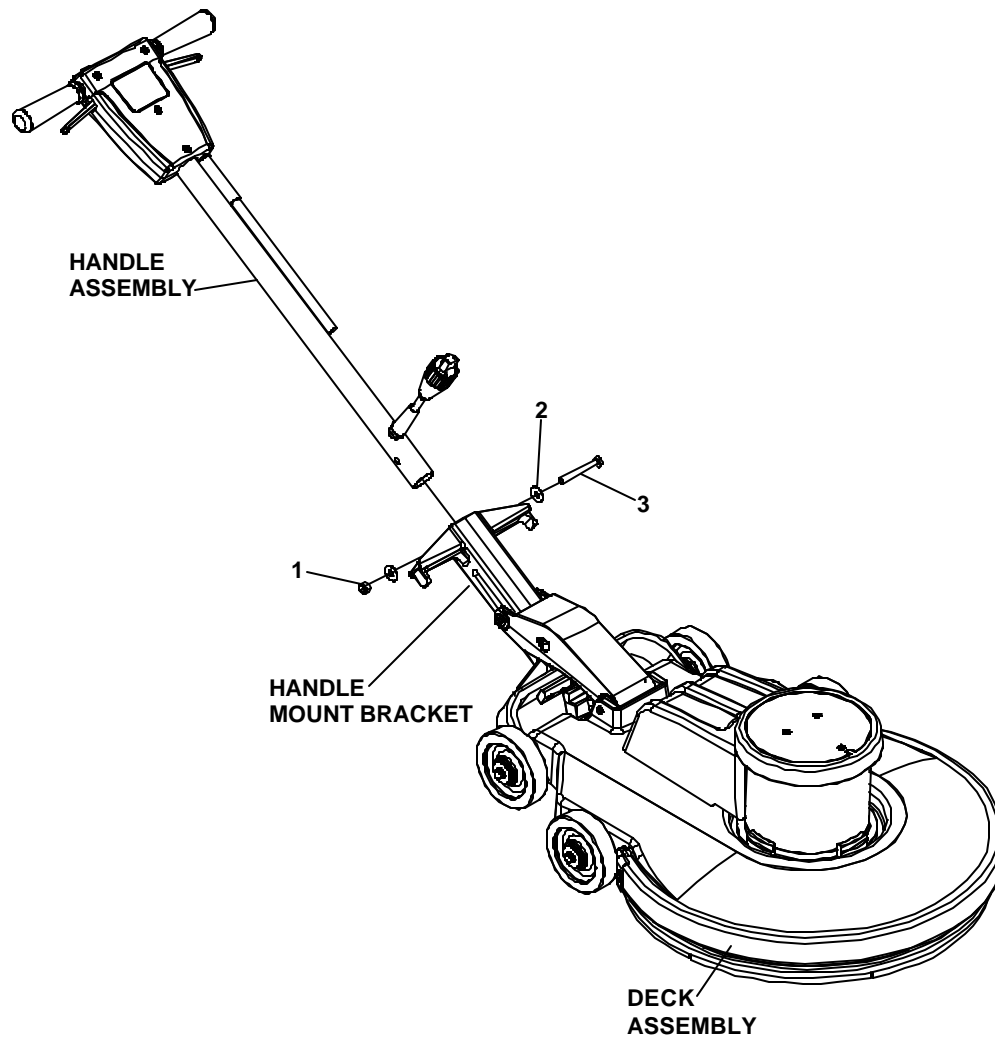
ITEM	DIMENSION/CAPACITY
Construction	Heavy-duty die cast aluminum deck with heavy-duty rubber bumper, tubular steel self adjusting handle with die cast aluminum handle housing.
Motor	1.75 hp
Transmission	Direct drive from motor shaft.
Pad speed	2000 rpm
Electrical system	230 volts, 50Hz
Cable	75' [22.9 m], 1.5mm/3 built in cord wrap.
Switches	Dual levers with safety lock.
Pad Holder	Ø20" [50.8 cm] flexible disc
Wheels	Four Ø5" [Ø12.7 cm], 1.25" [3.2 cm] wide, non-marking tread.
Handle	Ø1.5" [Ø3.8 cm] tubular steel, self adjusting handle consistently maintains full contact with the floor, and easy to use thumb activated safety lock.
Dimensions (L x W x H)	32" [81.3 cm] X 23.9" [60.2 cm] X 48.4" [122.9 cm]
Pad size (See note)	20" diameter x 1" thick

NOTE: Always use a pad which has been designed for electric ultra high speed burnishing of at least 2000 rpm.

The sound pressure level at the operator's ear was measured to be 70 dBA. This was a nearfield, broad-band measurement taken in a typical industrial environment on a tile floor. This appliance contains no possible source of impact noise. The instantaneous sound pressure level is below 63 Pa.



## HANDLE INSTALLATION



The machine is shipped with handle unassembled.

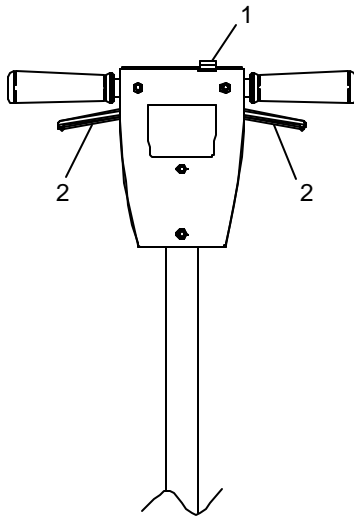
Follow these steps for installation:

1. Remove handle **(38314)** and deck assembly **(29261)** from carton.
2. Remove bolt (item 3), washers (item 2), and nut (item 1) from deck assembly **(29261)**.
3. Install Handle Assembly as shown.
4. Slide Bolt (item 3) thru, washers (item 2), Handle Mount Brackets and Handle Assembly **(38314)** as shown. Tighten bolt (item 3) and nut (item 1) until the handle can not twist in the mount bracket (45-50 foot pounds).
5. Check handle for movement up and down.
6. Plug cord into handle cord receptacle.

# OPERATION

## CONTROLS

1. **Safety Lock** – Prevents unintended operation of the machine.
2. **Switch Levers** – Turns machine on/off.



6. To stop the machine, release the switch levers.
7. Do not let machine rest on pad. When finished with the machine, return handle to the storage position.

*NOTE: The machine is equipped with a circuit breaker to protect the motor in the event an overload condition occurs. The circuit breaker is located on the side of the motor. Push the reset button to restart the machine. If the breaker trips again, correct the cause of overloading before proceeding.*

## DAILY MAINTENANCE

1. Inspect power cord for wear. To prevent electrical shock replace cords with frayed or cracked insulation immediately.
2. Place machine in the storage position.
3. Check pad condition. Change if soiled or torn.

## PAD INSTALLATION

1. Lay machine back, exposing the under side.

## OPERATION

**! CAUTION** For indoor use only.

**! WARNING**

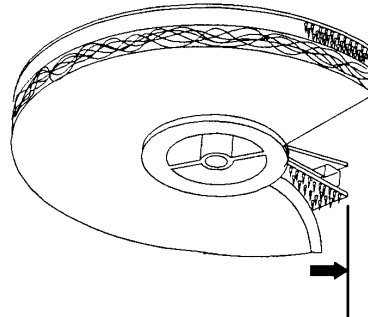
When using the pad, always keep the machine moving when in contact with the floor.

**! WARNING**

High starting torque. Hold machine firmly with both hands.

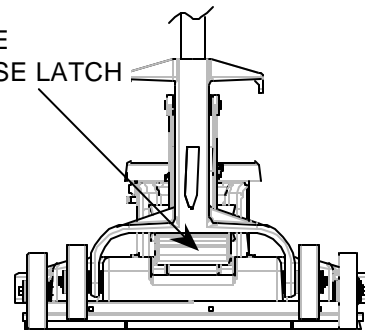
1. Ensure that the pad driver is in good shape. Install or change pad if necessary.
2. Plug the machine into a wall outlet as described in the grounding instructions.
3. Release latch, lower the handle and move into position.
4. Push the safety lock forward, unlocking the switch levers.
5. With the safety lock forward, squeeze one or both of the switch levers, turning the machine on. (These levers can be operated independently of each other). The safety lock will not re-engage until both levers are released.

Ensure pad is center on pad driver. Pull pad to edge of pad driver in several directions to check for proper engagement.



*NOTE: Use care when replacing center lock to prevent cross threading.*

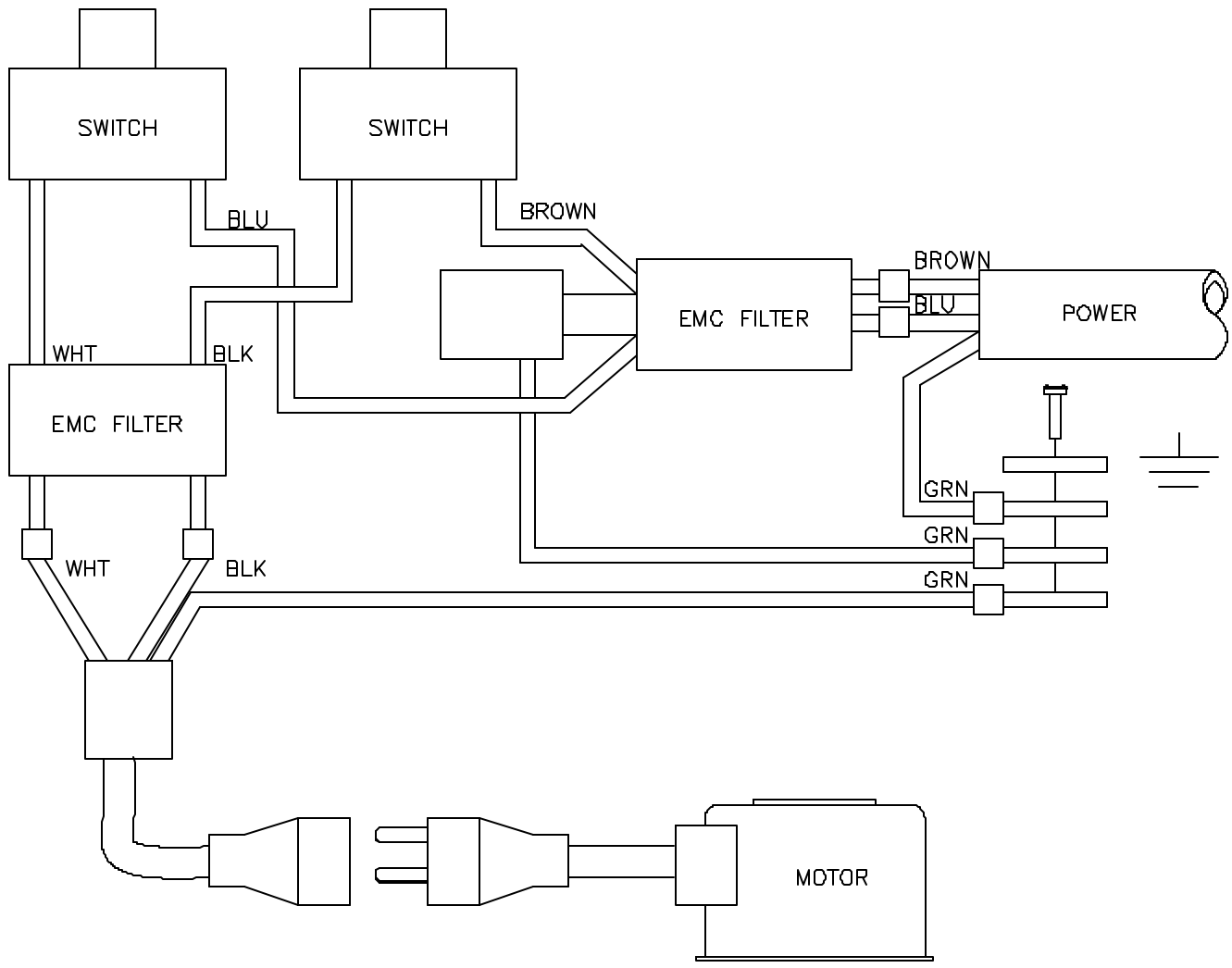
HANDLE  
RELEASE LATCH



## MACHINE TROUBLESHOOTING

PROBLEM	CAUSE	SOLUTION
Machine will not run	Circuit breaker tripped in building.	Check and reset
	Power switch failure	Test switch for continuity and replace if necessary.
	Tripped circuit breaker	Reset
	Faulty power cord	Replace
	Fuse in motor is blown	Replace CAUTION: To reduce the risk of electrical shock, unplug the machine before opening fuse holder. Fuse will only open under extreme conditions. Investigate cause before replacing.
Electrical shock	Equipment not grounded	Follow grounding instructions exactly.
	Receptacle not grounded	Have an electrician inspect building's wiring.
	Internal wiring problem	Ensure that the machine wiring matches the appropriate wiring diagram. Replace any wires or components which are short circuiting.
Repeated circuit breaker tripping	Mechanical problem	Higher amp draws indicate a mechanical problem, find the problem before using the machine.
	Faulty circuit breaker	Test circuit for continuity. Replace circuit breaker if necessary.
Excessive vibration	Pad not centered	Re-center pad.
	Damaged or unevenly worn pad.	Replace pad. Do not rest machine on pad when not in use.
	Damaged pad driver.	Replace.

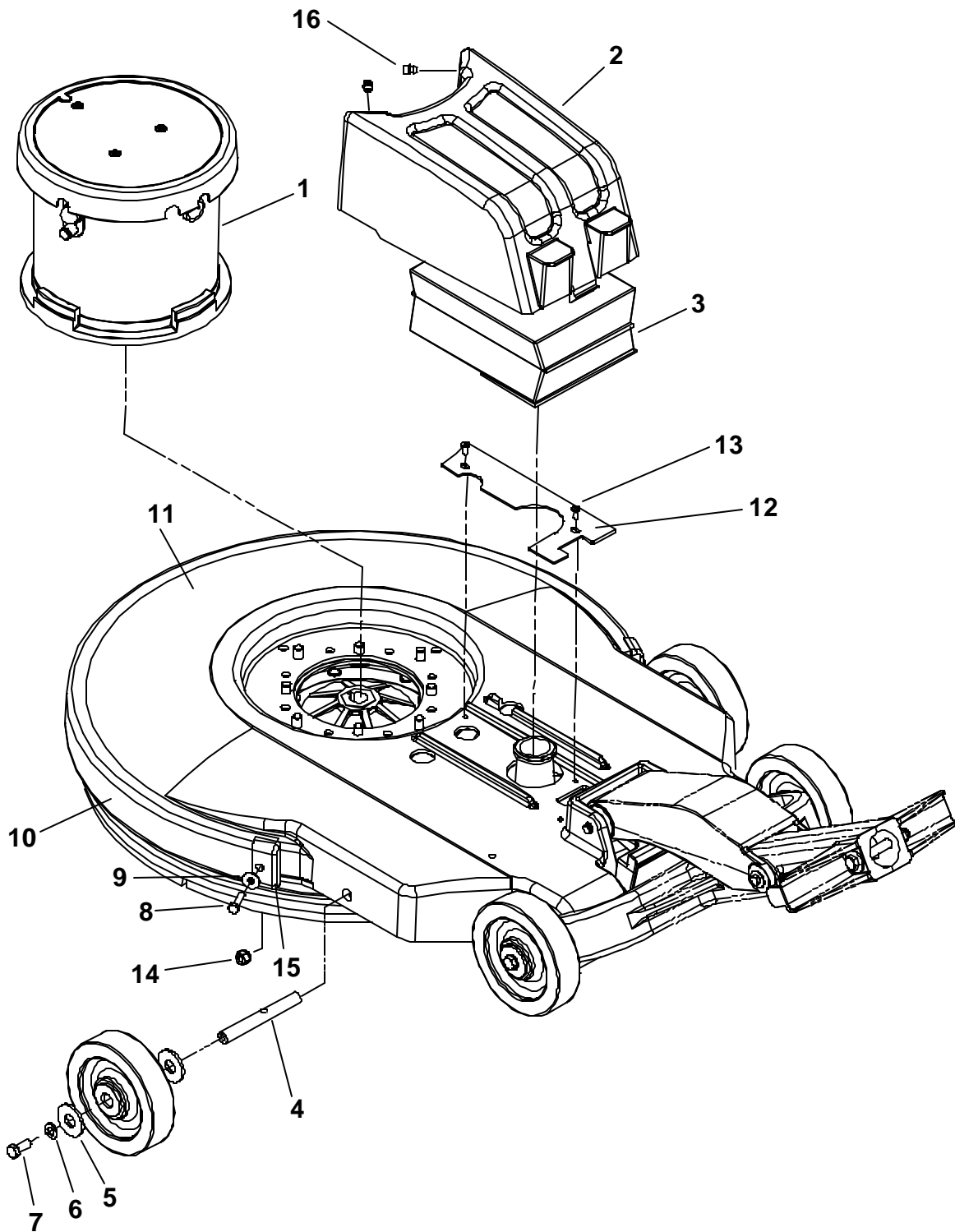
# WIRING DIAGRAM/NOTES



## NOTES:

***THIS PAGE LEFT BLANK INTENTIONALLY***

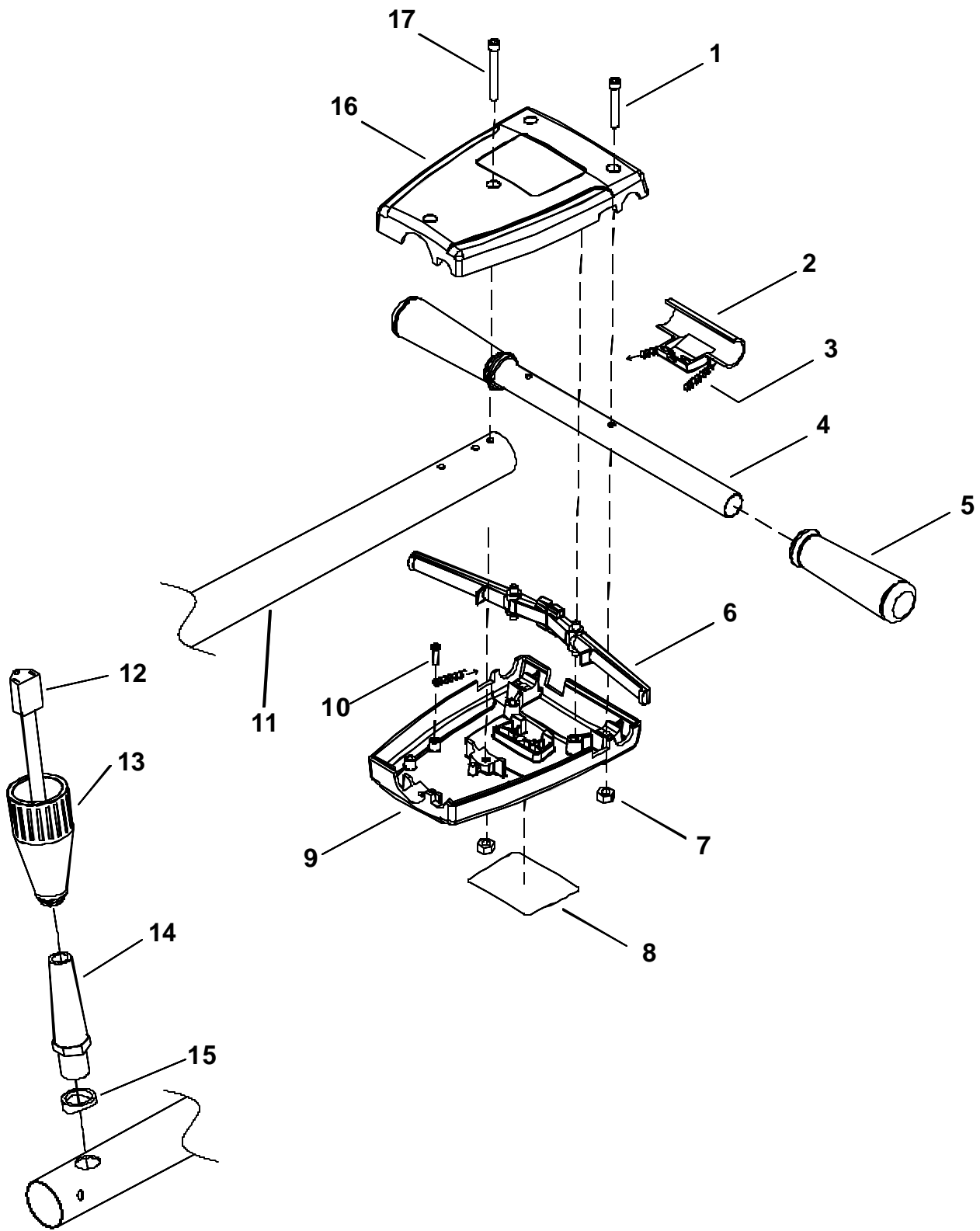
# DECK GROUP



**DECK GROUP**

REF	PART NO.	QTY	DESCRIPTION	SERIAL NO. FROM	NOTES:
1	53805	1	MOTOR, 230 VOLT 1.5HP 2000RPM		
2	27918	1	COVER, FILTER BAG		
3	140441	1	BAG, DUST (PACKAGE OF 10 BAGS)		
4	05156	2	AXLE, FRONT		
5	87203	4	WASHER, 14MM ID X 36 MM OD		
6	87054	2	WASHER, M8 FLAT DIN125A PLT		
7	70262	2	SCR, M8 X 20 HHMS PLTD		
8	70691	2	SCR, M6 X 25 HHMS BLK		
9	87211	2	WASHER, M6 FLAT BLK		
10	140423	1	BUMPER, EXTRUSION		
11	29244BLU	1	DECK, 20 IN BURNISHER, BLUE		
12	70738	2	SCR, M5 X .8MM X 10 MM PPHMS BLK		
13	67463	1	RETAINER, CORD		
14	57220	2	NUT, M6 X 1 HEX NYLOCK PLTD		
15	27871	2	CAP EXTRUSION		
16	140449	4	BUMPER, RUBBER		

# HANDLE GROUP

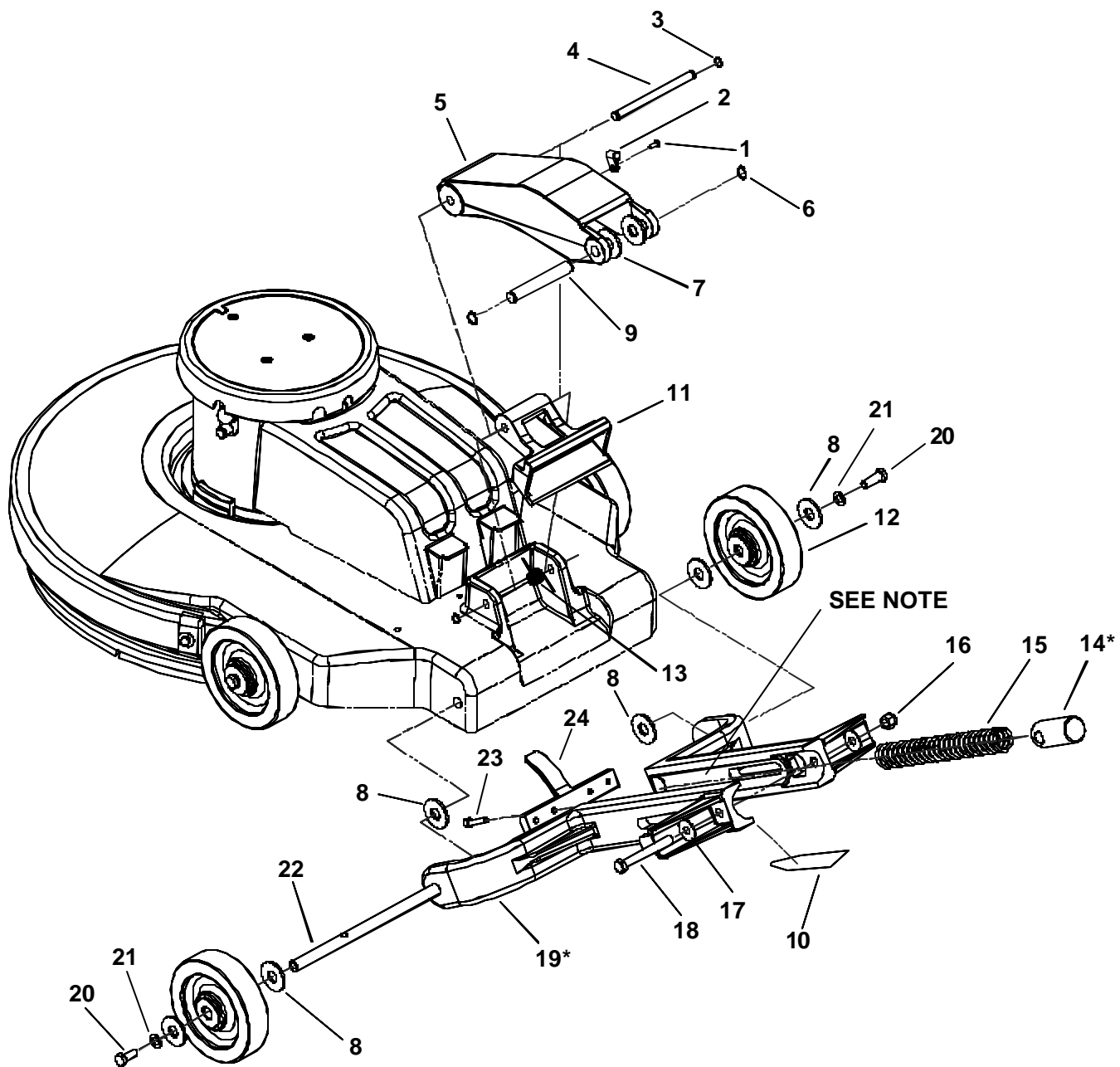




## HANDLE GROUP

REF	PART NO.	QTY	DESCRIPTION	SERIAL NO. FROM	NOTES:
1	70686	2	SCR, M6 X 45 SHCS BLK		
2	51326	1	LOCK, SAFETY HANDLE		
3	73990	2	SPRING, EXT. .50D X 3.5L		
4	140428	1	BAR, HANDLE		
5	36196	2	GRIP, POLISHER HANDLE		
6	51327	2	LEVER, SWITCH		
7	57274	4	NUT, M6 X 1		
8	500194	1	LABEL, WARNING		
9	41363	1	HOUSING, POLISHER HANDLE FRONT		
10	70689	2	SCR, M4.8 X 10 HHTF TYPE B		
11	78473	1	TUBE HANDLE		
12	23209	1	CORDSET, 14/3 X 38 IN, SJT, BLK		
13	14407	1	BOOT, TWIST LOCK		
14	730012	1	STRAIN RELIEF, 14/3 STRAIGHT		
15	730021	1	SPACER, POLISHER HANDLE		
16	41366	1	HOUSING, POLISHER HANDLE FRONT		
17	70687	2	SCR, M6 X 50 SHCS BLK		

## LOWER HANDLE GROUP



NOTE: GREASE ITEMS 14 AND SLIDE AREA OF 19 AS NECESSARY WHEN SERVICING.

NOTA: ENGRASE LOS ELEMENTOS MARCADOS CON EL NÚMERO 14 Y EL ÁREA DE DESLIZAMIENTO NÚMERO 19 SI ES NECESARIO CUANDO LE REALICE EL SERVICIO A LA MÁQUINA.

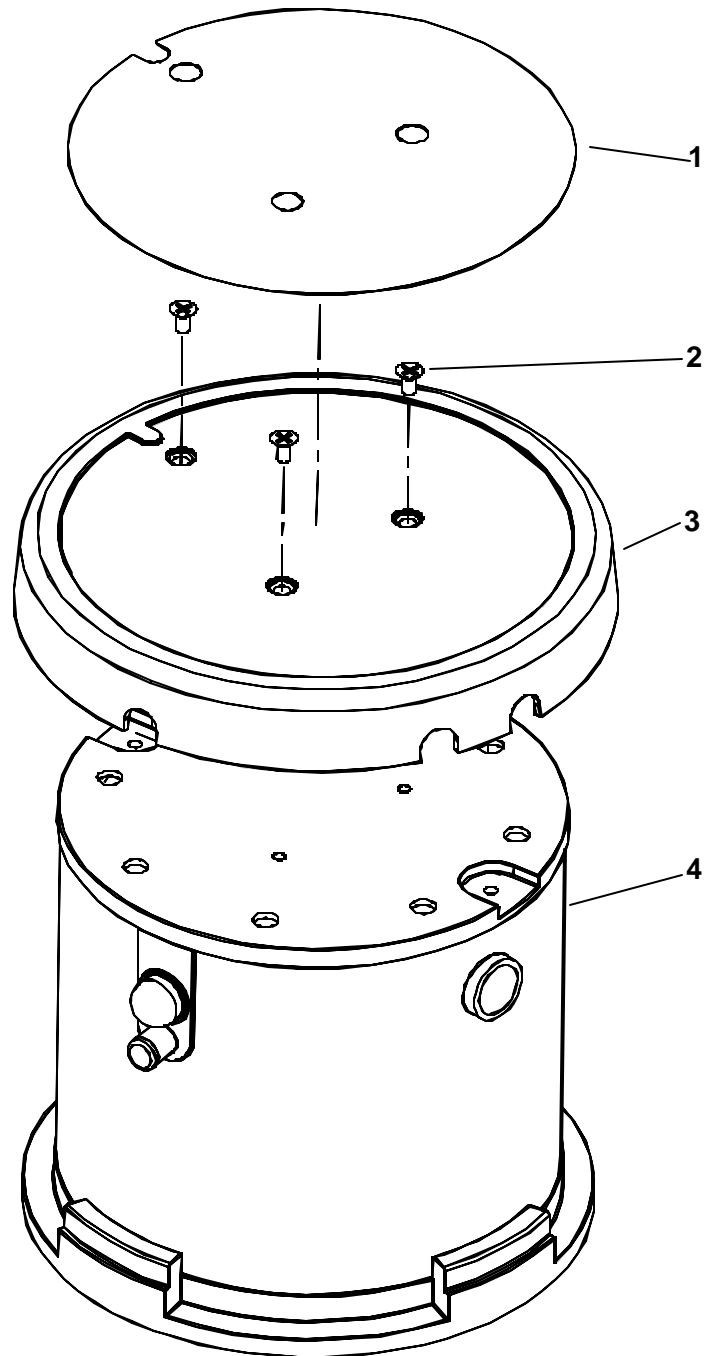
HINWEIS: IM RAHMEN DER WARTUNGSARBEITEN MÜSSEN DIE KOMPONENTEN 14 UND DER SCHIEBEBEREICH 19 BEI BEDARF GESCHMIERT WERDEN.

NOTA: INGRASSARE GLI ARTICOLI 14 E L'AREA DI SCIVOLO 19 COME RICHIESTO DURANTE LA MANUTENZIONE.

## LOWER HANDLE GROUP

REF	PART NO.	QTY	DESCRIPTION	SERIAL NO.	NOTES:
1	70738	1	SCR, M5 X .8MM X 10 MM PPHMS BLK		
2	20005	1	CLAMP, 5/16 NYLON		
3	67468	2	RING, 10MM EXTERNAL SNAP		
4	66340	1	PIN, DOWEL 10MM DIA X 124 MM LG		
5	140421	1	BRACKET, HANDLE LINK		
6	67469	2	RING, 13MM EXTERNAL SNAP		
7	87234	2	WASHER, 14MM ID X 36MM OD X 2MM		
8	87203	8	WASHER, 14MM ID X 35 MM OD		
9	730052	1	SPACER, LINKAGE		
10	500542	1	LABEL, HANDLE RELEASE		
11	51358	1	LATCH, HANDLE		
12	89206	2	WHEEL. 5D X 1.25 X 13MM ID GRY		
13	730055	1	SPRING, 180 DEGREE TORSION		
14	140420	1	BLOCK, SPRING COMPRESSION		
15	730054	1	SPRING, COMP 1.140 OD X 8.40 L X .150 W		
16	57119	1	NUT, 3/8-16 HEX NYLOCK		
17	87171	2	WASHER, 3/8 FLAT		
18	70069	1	SCR, 3/8-16 X 3 HHCS GR5		
19	140419	2	BRACKET, HANDLE MOUNT		
20	70262	1	SCR, M8 X 20 HHMS PLTD		
21	87054	2	WASHER, M8 FLAT DIN125A PLT		
22	05157	1	AXLE, REAR		
23	70733	4	SCR, M6 X 30 SHCS PLTD		
24	730053	1	STRIKER, LATCH		

# MOTOR GROUP



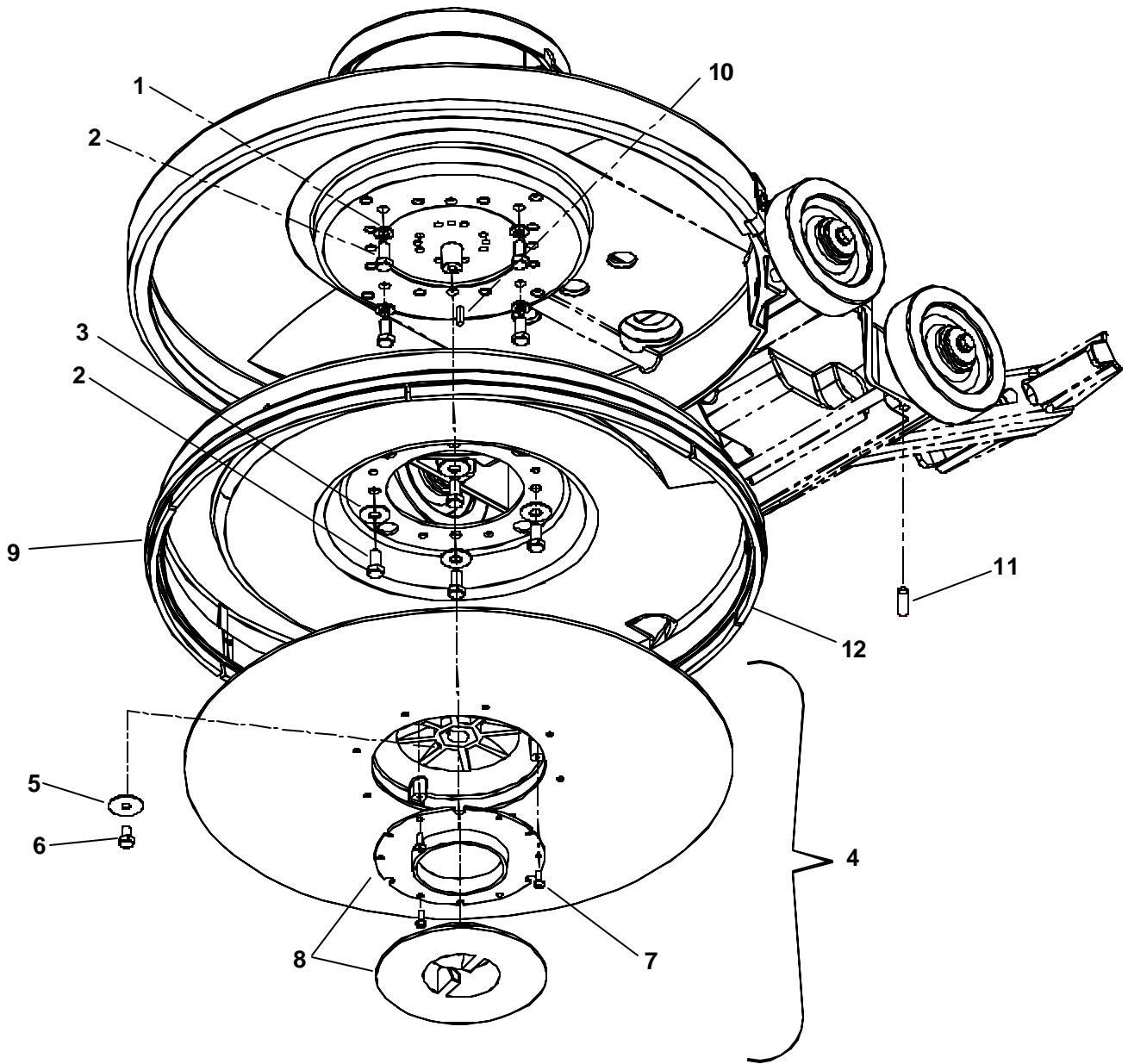
## MOTOR GROUP

REF	PART NO.	QTY	DESCRIPTION	SERIAL NO. FROM	NOTES:
1	500421	1	LABEL, MB2000 MAIN		
2	70702	3	SCR, M5 X .8 X15MM BLK		
3	27884	1	COVER, MOTOR 1.25HP		
4	53805	1	MOTOR, 230VOLT 1.5 HP 2000RPM		

### MOTOR COMPONENTS (NOT SHOWN)

PART NO.	QTY	DESCRIPTION	SERIAL NO. FROM	NOTES:
140617	1	CIRCUIT BREAKER, 13 AMP		
67029	1	RECTIFIER, BRIDGE		
14404	1	BRUSH SET MP MOTOR (PKG OF 4)		
34378	1	FUSE		
34379	1	FUSE HOLDER		
09134	2	BEARING, MOTOR		

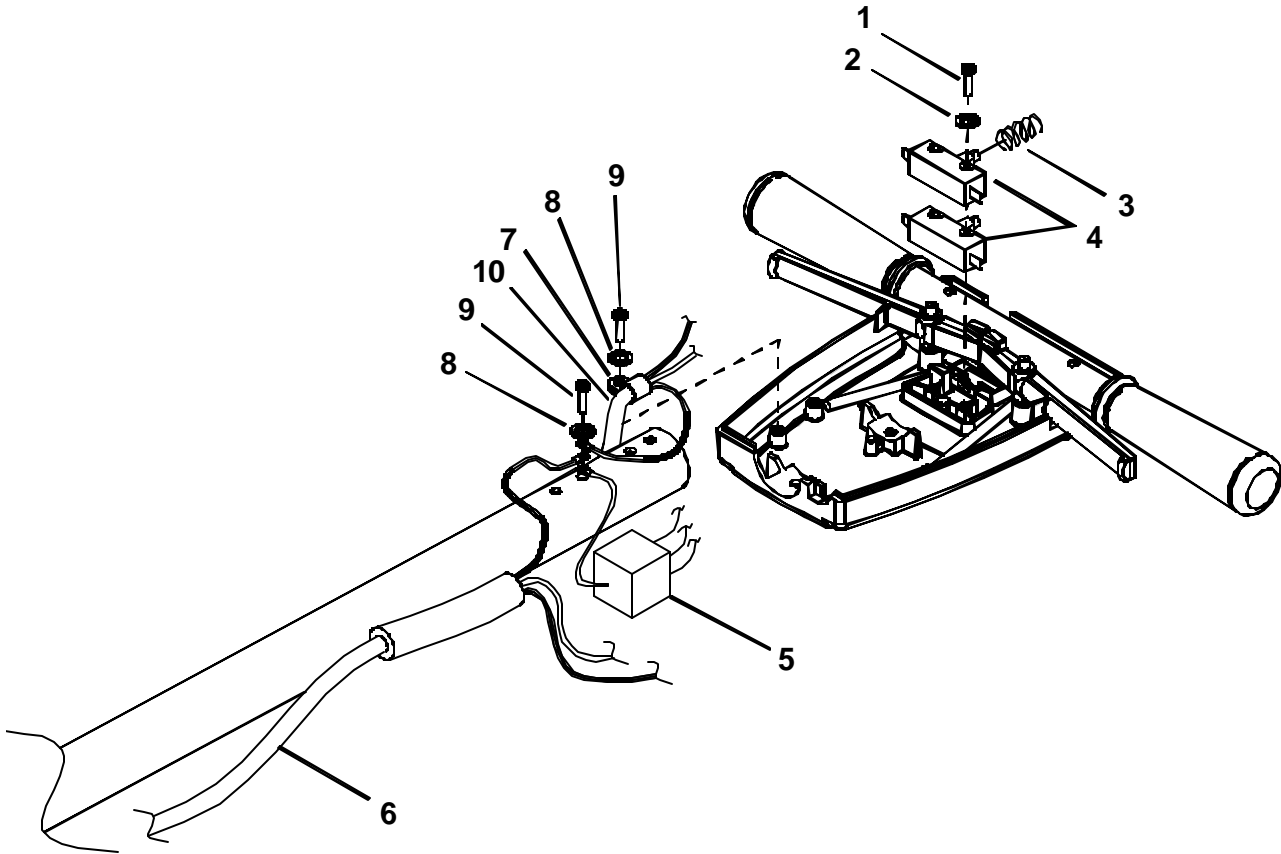
# PAD/DRIVER GROUP



**PAD/DRIVER GROUP**

REF	PART NO.	QTY	DESCRIPTION	SERIAL NO.	NOTES:
1	87163	4	WASHER, 3/8 SPLIT LOCK PLTD		
2	70507	8	SCR, 3/8-16 X 3/4 HHCS PLT		
3	87086	4	WASHER, M10 X 30 PLTD		
4	64108	1	PAD DRIVER, 20 INCH BURNISHER		INCLUDES ITEMS 7 & 8
5	87102	1	WASHER, 5/46 ID X 1 1/4 OD		
6	70244	1	SCR, 5/16-24 X 1/2 HHMS SS		
7	70720	3	SCR, #10 X 3/8 PPHST TYPE B		
8	51353	1	LOCK, PAD DRIVER BLUE		
9	730065	1	SHROUD, ASM. 20 IN BURNISHER		INCLUDES ITEM 12
10	48082	1	KEY, 3/16 SQ X 11/16 LG CRS		
11	70736	3	SET SCR, M8 X 20MM CUP PT		
12	730074	1	BRUSH, STRIP (PACKAGE OF 6)		

# WIRING GROUP



REFER TO WIRING DIAGRAM ON PAGE 4-2



## WIRING GROUP

REF	PART NO.	QTY	DESCRIPTION	SERIAL NO. FROM	NOTES:
1	70801	2	SCR, M3.5 X 40 PHTF TYPE B		
2	87057	2	WASHER, M4 SHAKEPROOF		
3	73993	1	SPRING, COMP, .48OD X .91L		
4	72123	2	SWITCH, 25A SPST 125-250V SNAP		
5	23213	1	CAPACITOR ASSEMBLY, MB2000I		
6	23212	1	CORD SET, EURO 1.5MM X 75' BLK		
7	20005	1	CLAMP, 5/16 NYLON		
8	87208	2	WASHER, M5 SHAKEPROOF PLTD		
9	70689	2	SCR, M4.8 X 10 HHTF TYPE B		
10	23207	1	CORDSET, 14/3 X 48", SJT, BLK		

## **SUGGESTED SPARE PARTS**

PART NO.	DESCRIPTION	SERIAL NO. FROM	NOTES:
73990	SPRING,EXT .5OD X 3.5L		
73993	SPRING, COMP .48OD X .91L		
72123	SWITCH,25A SPST 125-250V SNAP		
140617	CIRCUIT BREAKER, 13 AMP		
67488	RECTIFIER, 50A 600V BRIDGE		
14404	BRUSH SET MP MOTOR (PKG OF 4)		
34378	FUSE,MP/MB		
34379	FUSE HOLDER		
09135	BEARING, MOTOR		
51353	LOCK, PAD DRIVER BLUE		
140441	BAG, DUST (PACKAGE OF 10 BAGS)		
140420	BLOCK, SPRING COMPRESSION		
730074	BRUSH, STRIP (PACKAGE OF 6)		