

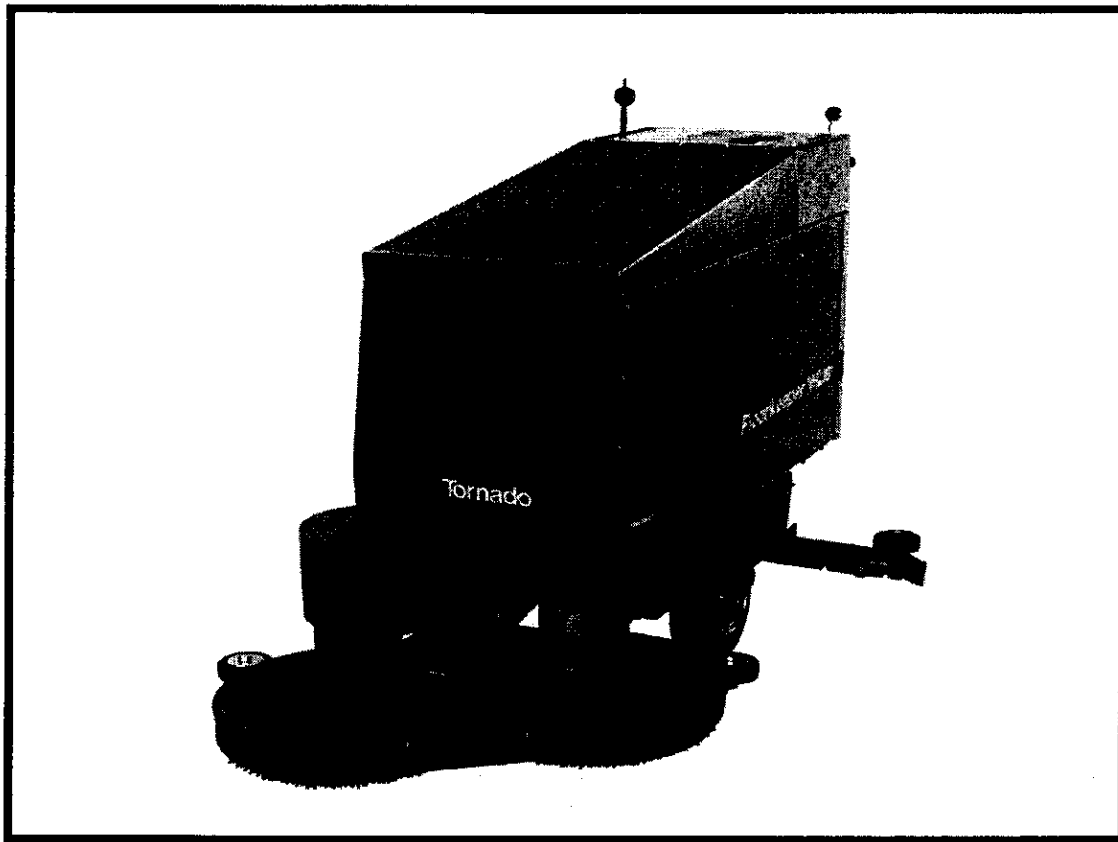
BREUER/TORNADO® CORP.
7401 W. LAWRENCE AVENUE
CHICAGO, IL 60656-3489
TEL:(708) 867-5100 FAX: (708) 867-6968
www.breuertornado.com



MIDRANGE FLOORKEEPER

MODELS

99307 - 99407



Illustrated Parts List For Commercial Use Only

L2471S (SERIES N)
BT 6/98

Table 1:

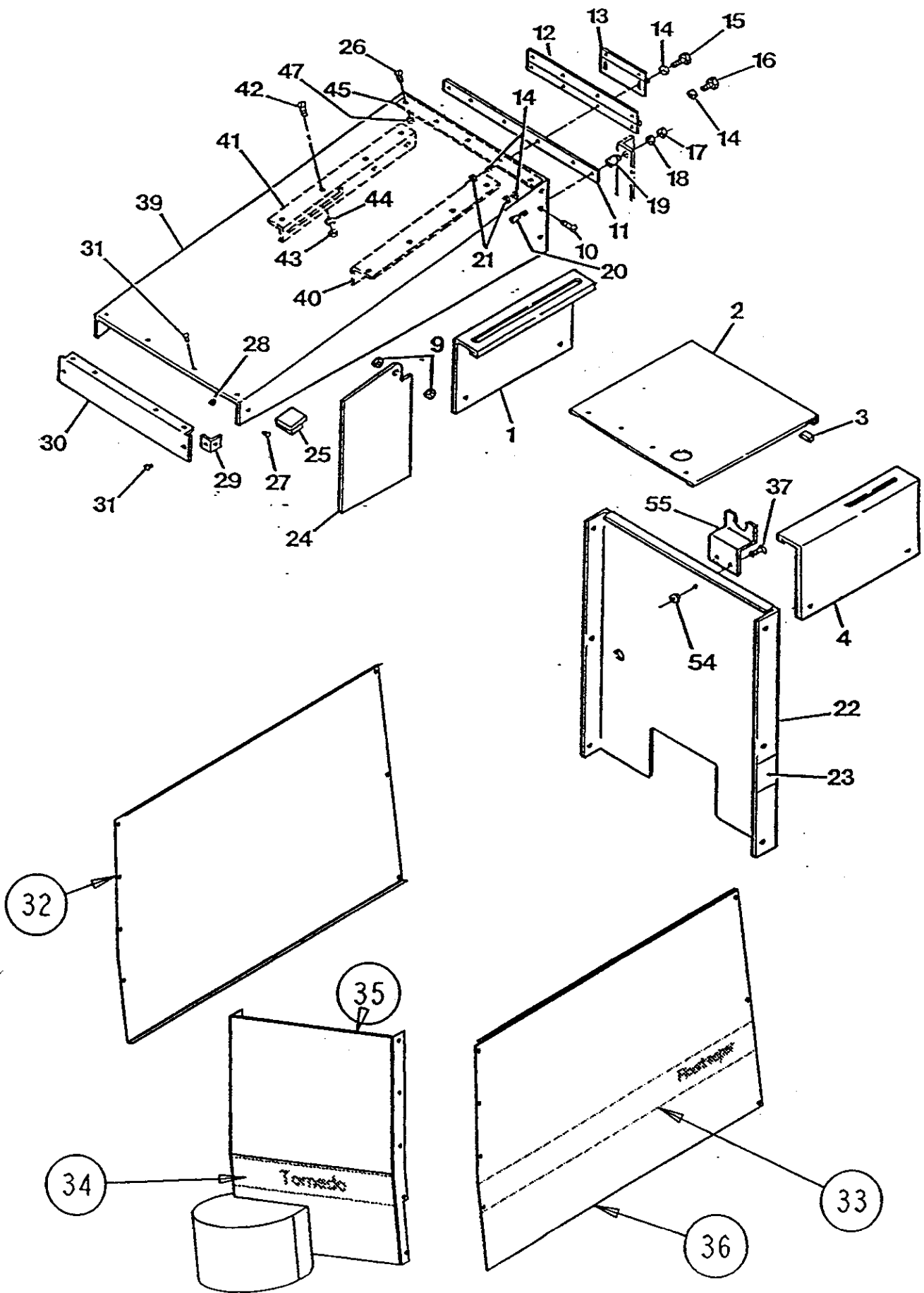
CATALOG NO.	99307	99407
SERIES	N	N
VOLTS (Charger)	115	115
SIZE	26"	33"
FREQUENCY (Hz)	60	60

ALL SPECIFICATIONS SUBJECT TO CHANGE WITHOUT NOTICE.

TABLE OF CONTENTS

<u>CONTENT</u>	<u>PAGE(S)</u>
PANELS AND COVERS	3, 4
BATTERY COMPONENTS	5, 6
FRAME ASSEMBLY	7, 8
TRANSAXLE FRAME ASSEMBLY	9, 10
BRUSH COVER ASSEMBLY (26" Model)	11, 12
BRUSH COVER ASSEMBLY (33" Model)	13, 14
BRUSH LIFT ASSEMBLY	15, 16
SQUEEGEE ASSEMBLY AND LIFT MECHANISM	17, 18
SOLUTION TANK AND CONTROL SYSTEM	19, 20
VACUUM TANK ASSEMBLY	21, 22
WIRING DIAGRAM	23, 24
SPEED CONTROL AND UPPER REAR FRAME	25, 26
BRUSH COMPONENTS	27, 28
BATTERY CHARGER #99515	29, 30
ELECTRIC CLUTCH ASSEMBLY	31, 32

PANELS AND COVERS - REV. A



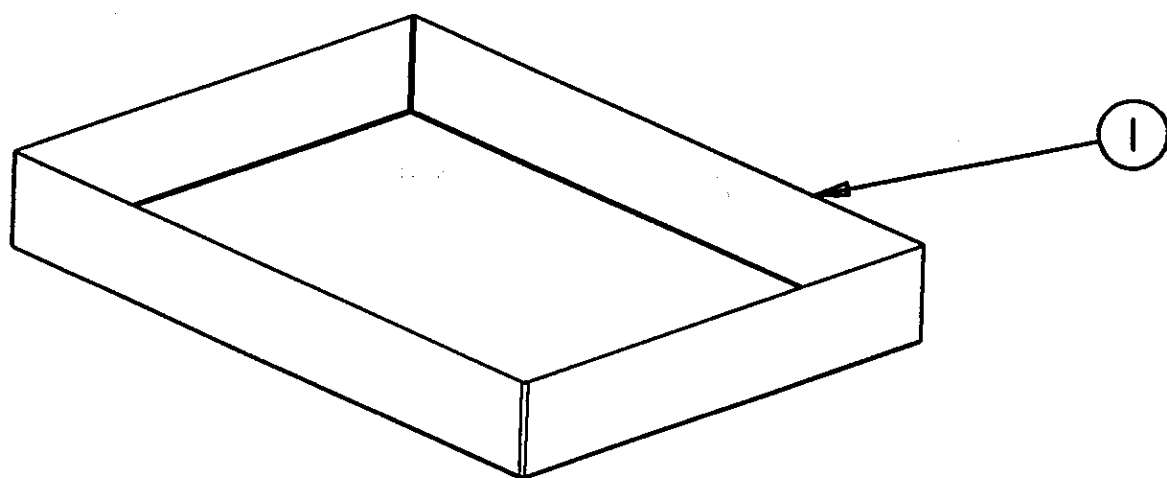
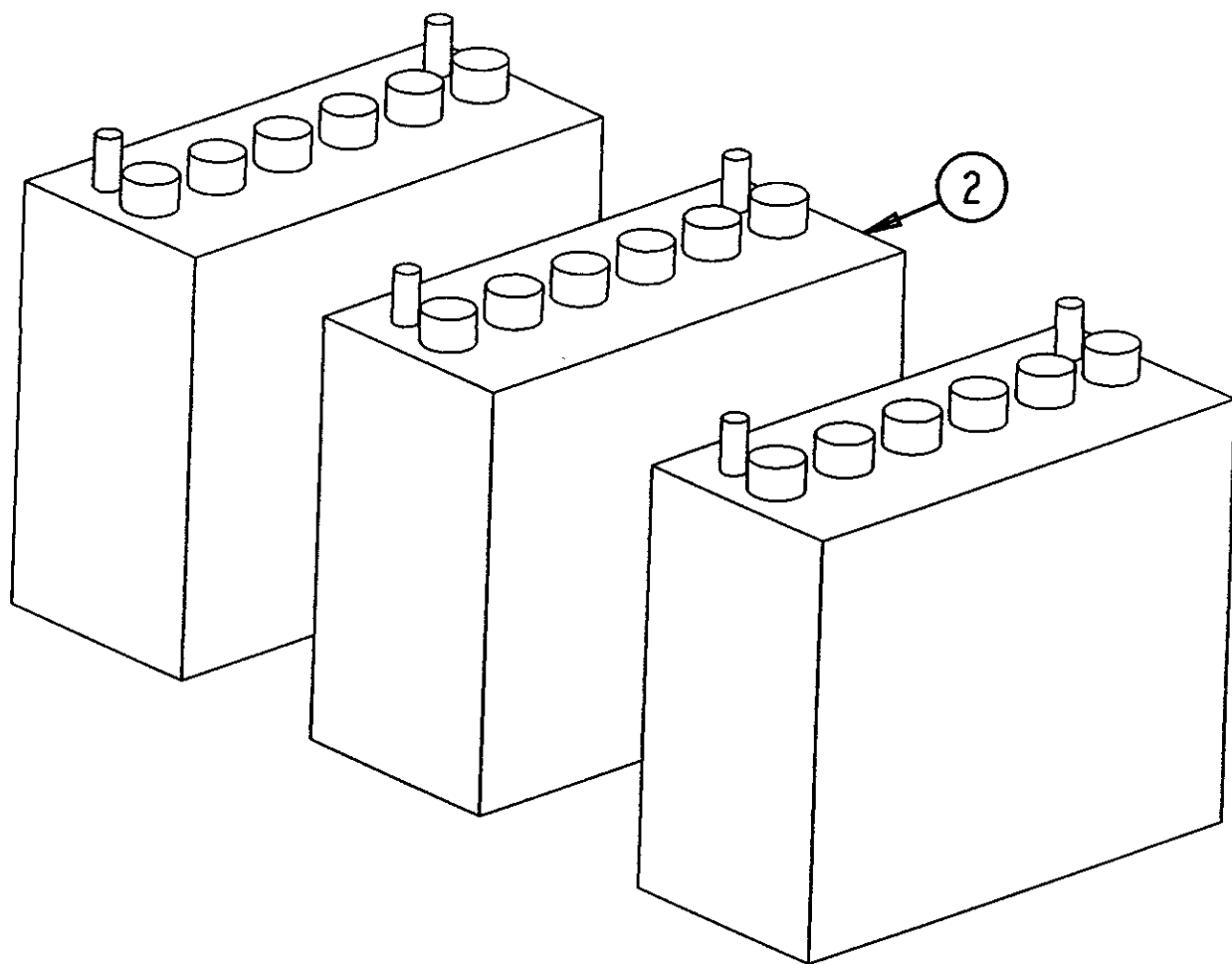
PANELS AND COVERS

Item No.	Qty.	Part No.	Description
1	1	15450	UPPER SIDE PANEL RH
2	1	16276	COVER, TOP (INCLUDES ITEMS 2, 12, 13)
3	2	13022	PAD
4	1	15451	UPPER SIDE PANEL LH
9	4	05270	LOCKNUT
10	2	12896	SCREW
11	1	15416	CROSSBAR
12	1	15415	HINGE
13	1	15419	HINGE
14	8	11219	WASHER, FLAT
15	2	15622	SCREW
16	2	15621	SCREW
17	2	02217	LOCKNUT
18	2	14142	WASHER, FLAT
19	2	15418	STANDOFF
20	2	01978	SCREW
21	4	10894	LOCKNUT
22	1	17272	LOWER REAR PANEL
23	1	15469	DECAL, REAR
24	2	15459	GUARD, PLASTIC
25	2	16470	PAD, BUMPER
26	5	03106	SCREW
27	2	10487	RIVET
28	2	01575	WASHER
29	2	10299	BRACKET
30	1	15433	SHIELD
31	8	05443	RIVET
32	1	19903	SIDE PANEL, RH
33	1	18778	LABEL, LH 26"
*	1	18777	LABEL, RH 26"
*	1	18776	LABEL, LH 33"
*	1	18775	LABEL, RH 33"
34	1	15468	DECAL, FRONT
35	1	19902	PANEL, FRONT
36	1	19904	SIDE PANEL, LH
37	22	10353	SCREW
38	20	13611	CLIP, NUT
39	1	15463	COVER, BATTERY (INCLUDES ITEMS 39, 40, 41, 45, 29, 31, 27)
40	1	15916	BRACKET
41	1	15915	BRACKET
42	8	10353	SCREW
43	8	01497	NUT
44	8	01574	WASHER, LOCK
45	1	15417	HINGE
47	5	10892	LOCKNUT
*	1	13901	DECAL, PREVENTATIVE MAINTENANCE
*	1	14496	DECAL, VACUUM MOTOR AND FILTER
*	1	15976	DECAL, WIRING DIAGRAM
*	1	13974	DECAL, CAUTION
*	2	16605	DECAL, FOAM FILLED TIRES
54	2	16129	NUT
55	1	17273	BRACKET, HOSE
*	4	03660	SCREW-PAN HEAD
*	4	10892	NUT-HEX.LOCK(KEPS)
*	8	14142	WASHER-PLAIN 1/4"
*	4	10353	SCREW-TRUSS HEAD
*	4	16129	NUT-HEX.LOCK(KEPS)

*NOT SHOWN

NOTE: Unless indicated, Part No. applies to all models.

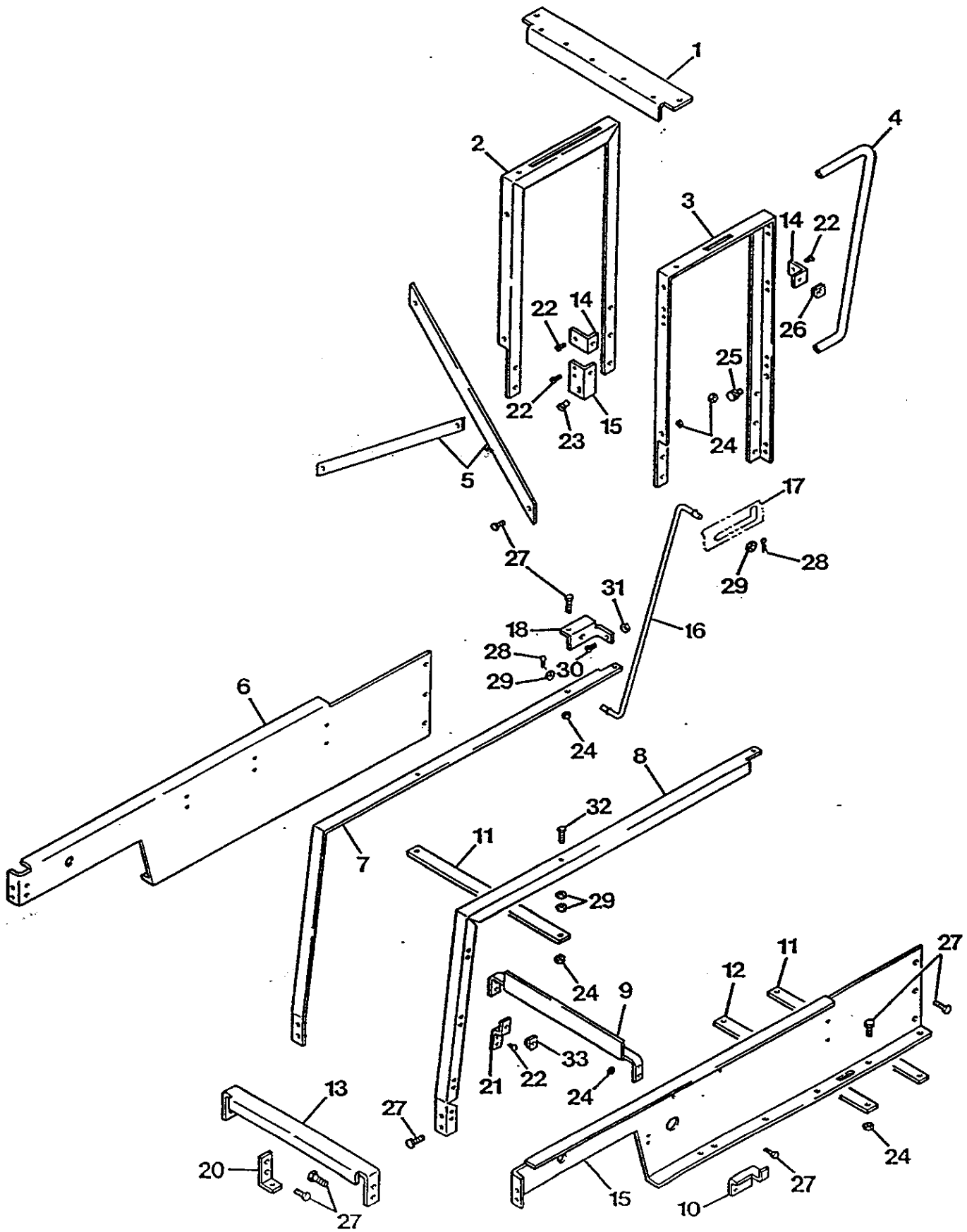
BATTERY COMPONENTS REV. A



BATTERY COMPONENTS

Item No.	Qty.	Part No.	Description
1	1	16317	BATTERY TRAY
2	3	99519	BATTERY-12V/185AH(WET)
2	3	99512	BATTERY-12V/215AH(WET)

FRAME ASSEMBLY - REV. A

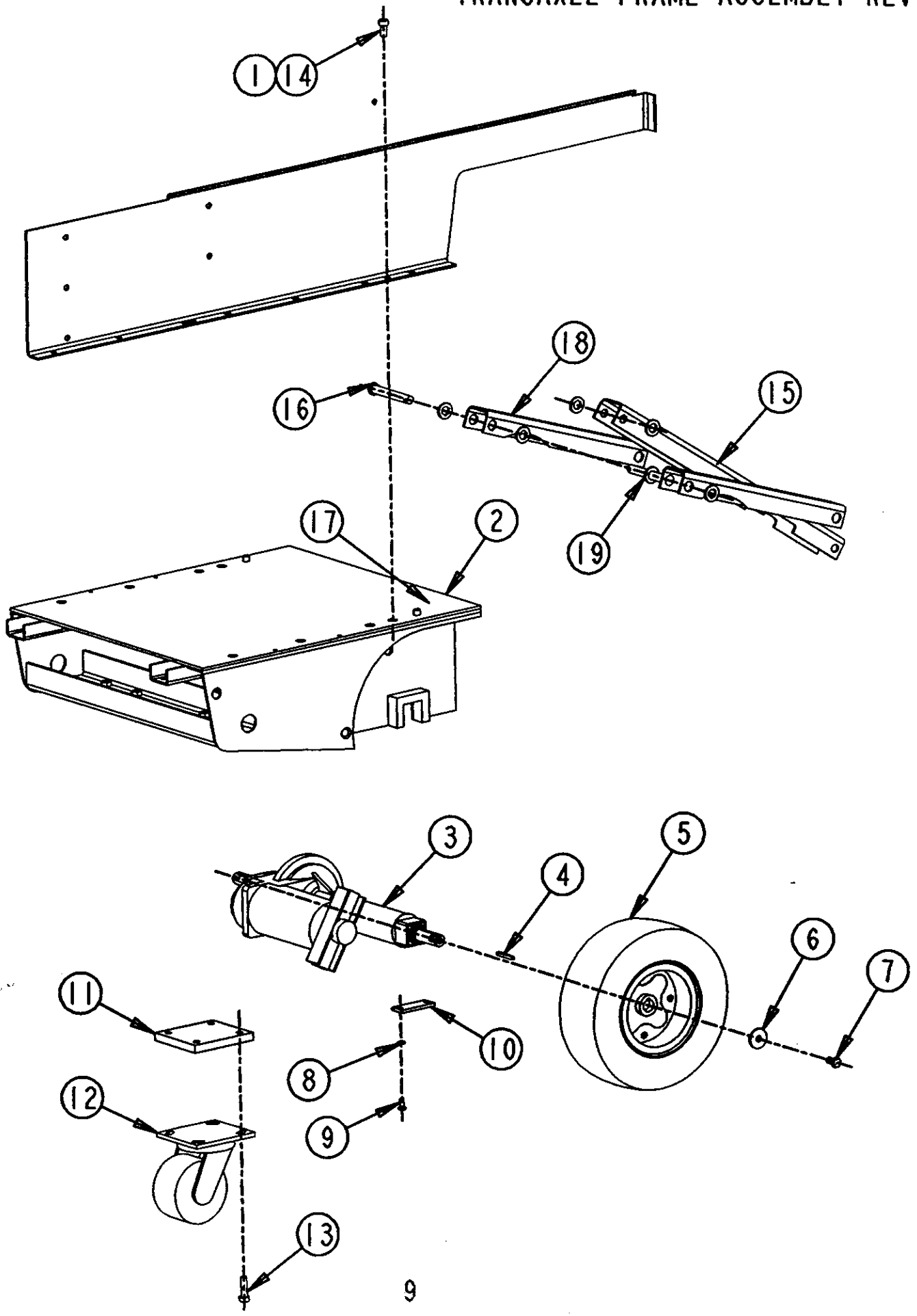


FRAME ASSEMBLY

Item No.	Qty.	Part No.	Description
1	1	15543	BRACE, COVER
2	1	10291	FRAME, RH
3	1	10279	FRAME, LH
4	2	03341	HANDLE
5	2	10288	BRACE
6	1	10447	CHANNEL ASSEMBLY, RH
7	1	10285	FRONT SIDE FRAME, RH
8	1	10286	FRONT SIDE FRAME, LH
9	1	10282	CROSS BAR
10	1	14179	BRACKET, GUIDE
11	2	10284	BRACE
12	1	16032	BRACE
13	1	14089	CROSS BAR
14	11	10268	PANEL BRACKET, REAR
15	1	10295	BRACKET, SOLUTION ROD GUIDE
16	1	15914	SUPPORT ROD, BATTERY COVER
17	1	15915	SUPPORT BRACKET, RH
18	1	15917	BRACKET, SUPPORT ROD
20	1	10531	SPRING BRACKET
21	8	10267	BRACKET, FRONT PANEL
22	44	03261	SCREW
23	1	14229	BUSHING, NYLINER
24	29	01589	NUT
25	4	05441	SCREW
26	20	13611	NUT-CLIP ON, REAR PANELS
27	26	02109	SCREW
28	6	03395	COTTER PIN
29	24	03301	WASHER
30	4	05427	SCREW
31	3	07533	LOCK NUT
32	12	03361	SCREW

NOTE: Unless indicated, Part No. applies to all models.

TRANSAXLE FRAME ASSEMBLY REV.A



TRANSAXLE FRAME ASSEMBLY

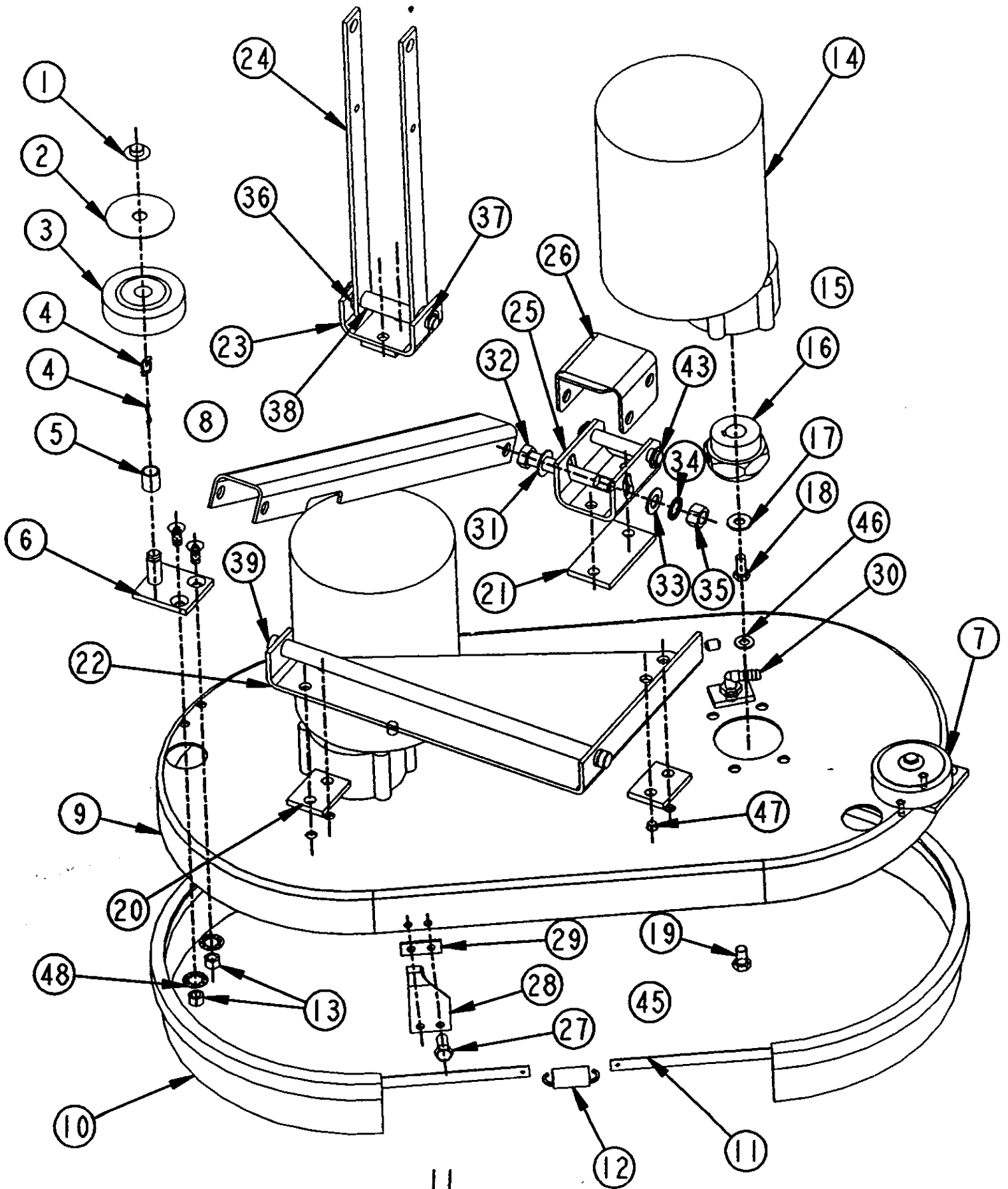
Item No.	Qty.	Part No.	Description
1	5	03959	SCREW-HEX.HEAD CAP
2	1	19892	CHASSIS M-R
3	1	19921	TRANSAXLE-36VDC
4	2	18499	KEY-SQUARE
5	2	17313	WHEEL, FOAM-FILLED
6	2	03321	WASHER-PLAIN 3/8
7	2	16671	SCREW-HEX.HEAD CAP
8	4	01574	WASHER-LOCK(H/S)1/4"
9	4	05427	SCREW-ROUND HEAD
10	2	19294	RETAINER-EZ TRANSAXLE
11	2	19582	PLATE-CASTER SPACER
12	2	18773	CASTER, SWIVEL
13	8	17576	SCREW-HEX.HEAD CAP
14	3	17180	CONTROL LINKAGE BOLT
15	1	16745	CONTROL LINKAGE BOLT
16	3	30211	PIN-CLEVIS 1/2"DIA X 4"
17	6	19666	BRIDGE PIN
18	2	17180	CONTROL LINKAGE BOLT
19	3	12554	SOME SORT OF WASHER

3/8-16 X 1-1/4"

***NOT SHOWN**

NOTE: Unless indicated, Part No. applies to all models.

BRUSH COVER ASSEMBLY-26" REV. A

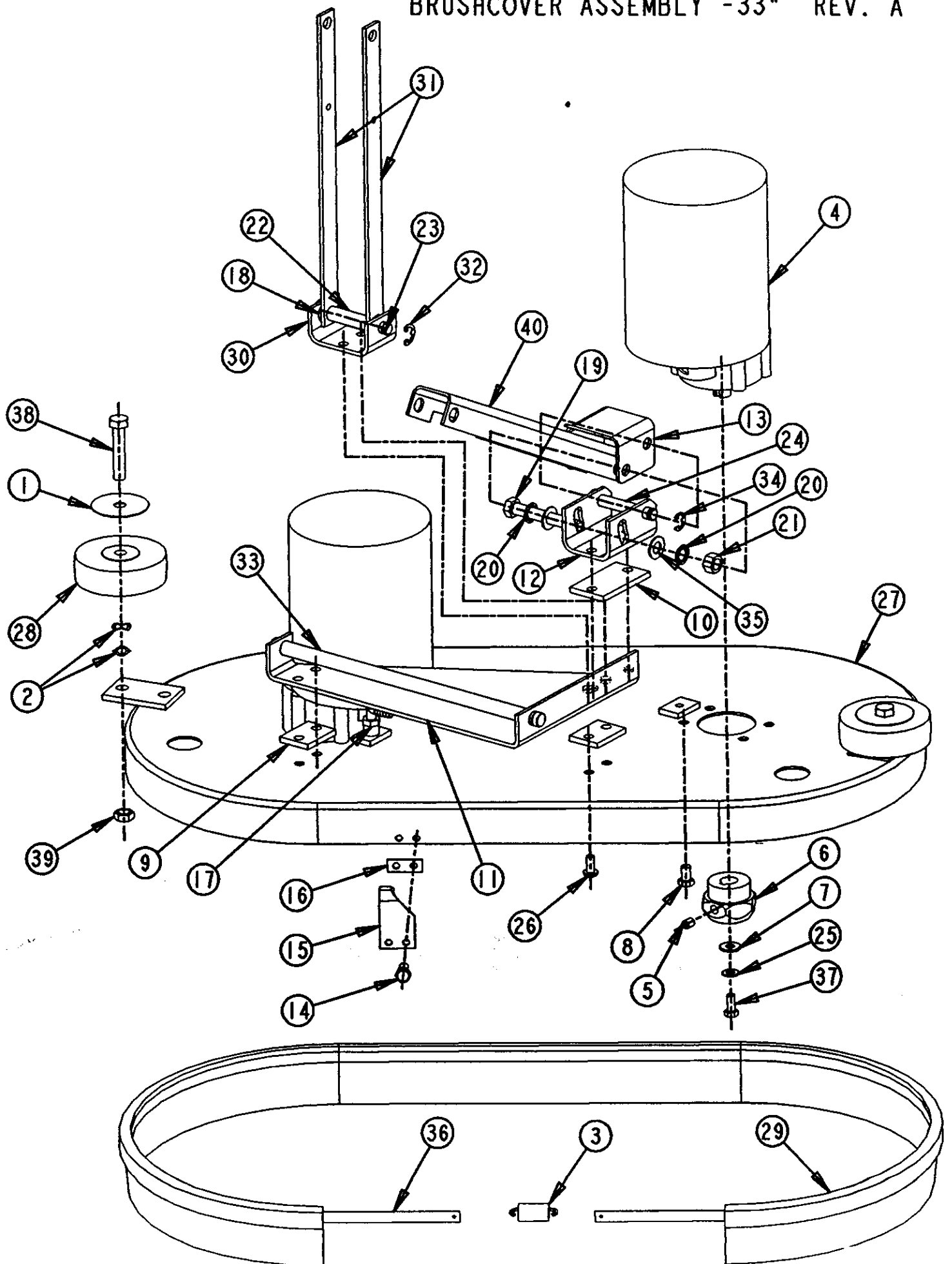


BRUSH COVER ASSEMBLY-26"

Item No.	Qty.	Part No.	Description
1	2	07539	NUT-PUSH
2	2	10436	COVER - RUB WHEEL
3	2	10587	RUB WHEEL
4	4	07723	WASHER-SPRING 1/2"
5	2	10639	SLEEVE, BEARING BRONZE
6	1	17270	RUB WHEEL BKT LH ASSY
7	1	17265	RUB WHEEL BKT RH ASSY
8	4	03922	SCREW-FLAT HD.SOCKET CAP
9	1	19883	BRUSHCOVER,26"WELDMENT
10	1	17740	BUMPER
11	1	17735	BUMPER STRAP
12	1	16472	SPRING-EXTENSION
13	12	00067	NUT-HEX.LOCK(KEPS)
14	2	18564	MOTOR-BRUSH(3/4HP)
15	2	17802	SCREW-SET SOCK.(NYLOCK) 3/8-16 X 1/2"
16	2	16737	COUPLER-BRUSH/PAD HOLDER
17	2	02568	WASHER-PLAIN (TYPE A)
18	2	16672	SCREW-HEX.HEAD(NYLOCK)
19	8	16671	SCREW-HEX.HEAD CAP(NYLK)
20	3	16736	ABSORBER BLOCK
21	1	16731	ABSORBER BLOCK
22	1	19909	BRACKET M-R 26"&33"
23	1	16728	BRACKET
24	2	19885	LIFT BAR M-R 26"
25	1	16729	BRACKET
26	1	16730	BRACKET,ADJUSTMENT
27	2	17160	SCREW-HEX.HEAD 1/4-20 X 3/4"
28	1	17752	RESTRAINER
29	1	17751	FLAT W/HOLES
30	2	18486	FITTING - PLASTIC ELBOW 3/8 NPT X 3/8
31	2	12554	WASHER-PLAIN 1/2" (PLASTIC)
32	1	16706	SCREW-HEX.HEAD CAP
33	2	12554	WASHER-PLAIN 1/2" (PLASTIC)
34	1	06387	WASHER-LOCK(I/T)1/2"
35	1	16673	NUT-HEX (NICKEL)
36	2	12554	WASHER-PLAIN 1/2" (PLASTIC)
37	2	03472	RING-RETAINING EXT 5/8
38	2	12554	WASHER-PLAIN 1/2" (PLASTIC)
38	1	16732	SPACER
44	1	16733	SHAFT,GROOVED
43	1	07551	PIN-HANDLE YOKE PIVOT
45	2	17733	KEEPER
46	2	03301	WASHER-PLAIN 5/16"
47	8	15067	SCREW-PAN HEAD 5/16-18 X 3/4"
48	2	06387	WASHER-LOCK(I/T)1/2"

NOTE: Unless indicated, Part No. applies to all models.

BRUSHCOVER ASSEMBLY -33" REV. A

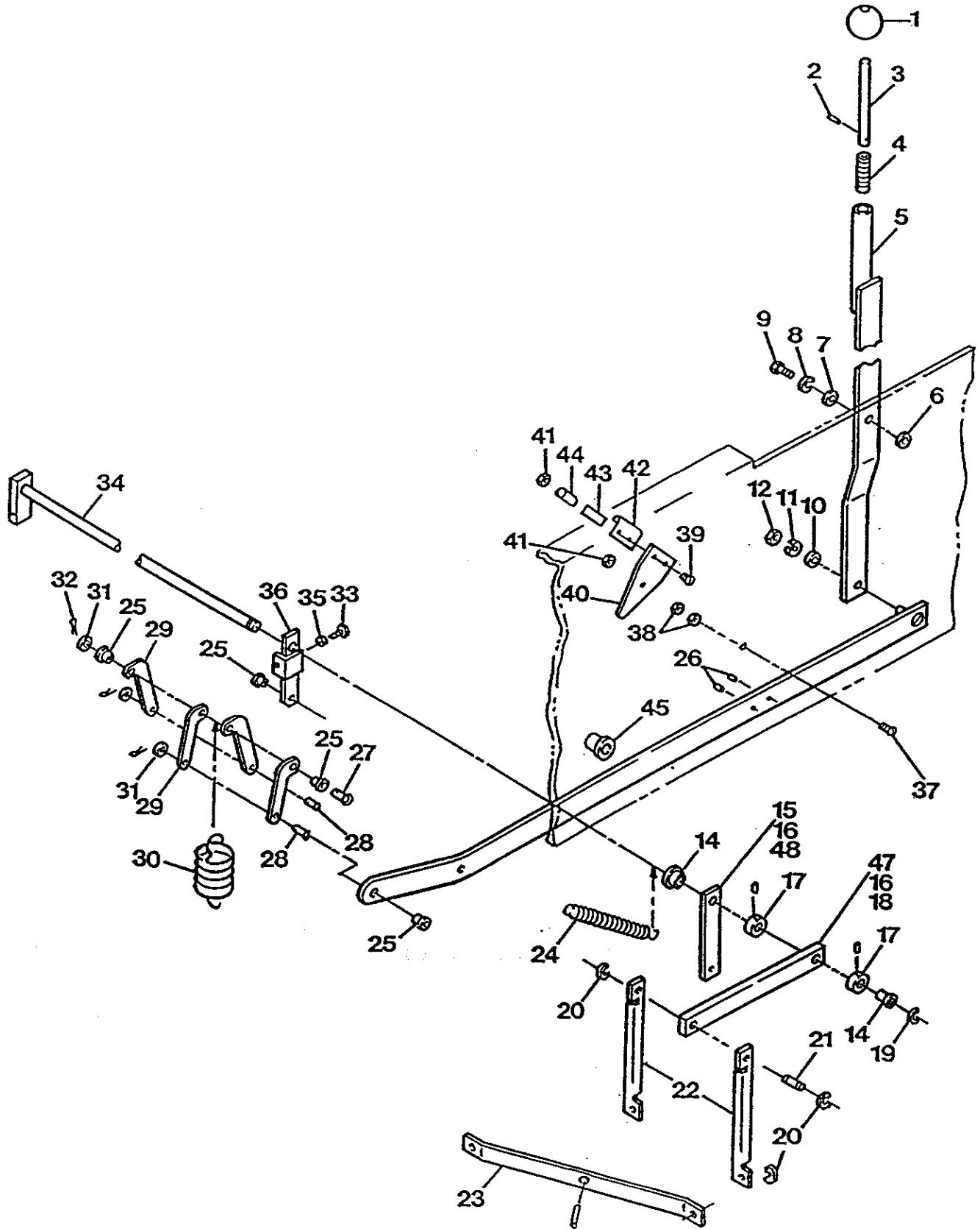


BRUSH COVER ASSEMBLY-33"

Item No.	Qty.	Part No.	Description
1	2	10436	COVER - RUB WHEEL
2	4	07723	WASHER-SPRING 1/2"
3	1	16472	SPRING-EXTENSION
4	2	18564	MOTOR-BRUSH(3/4HP)
5	2	17802	SCREW-SET SOCK.(NYLOCK) 3/8-16 X 1/2"
6	2	16737	COUPLER-BRUSH/PAD HOLDER
7	2	02568	WASHER-PLAIN (TYPE A)
8	4	16671	SCREW-HEX.HEAD CAP(NYLK)
9	3	16736	ABSORBER BLOCK
10	1	16731	ABSORBER BLOCK
11	1	19909	BRACKET M-R 26"&33"
12	1	16729	BRACKET
13	1	16730	BRACKET,ADJUSTMENT
14	2	17160	SCREW-HEX.HEAD 1/4-20 X 3/4"
15	1	17752	RESTRAINER
16	1	17751	FLAT W/HOLES
17	2	18486	FITTING - PLASTIC ELBOW 3/8 NPT X 3/8
18	2	12554	WASHER-PLAIN 1/2" (PLASTIC)
19	1	16706	SCREW-HEX.HEAD CAP
20	2	06387	WASHER-LOCK(I/T)1/2"
21	1	16673	NUT-HEX (NICKEL)
22	1	16732	SPACER
23	1	16733	SHAFT,GROOVED
24	1	07551	PIN-HANDLE YOKE PIVOT
25	2	03301	WASHER-PLAIN 5/16"
26	6	15067	SCREW-PAN HEAD 5/16-18 X 3/4"
27	1	19884	BRUSHCOVER 33" WELDMENT
28	2	14817	WHEEL
29	1	18500	BUMPER
30	1	19891	LIFT BAR BRACKET
31	2	19886	LIFT BAR M-R 33"
32	2	03472	RING - RETAINING EXT
33	1	19917	SHAFT, GROOVED
34	2	02663	RING - RETAINING 1/2"
35	2	16581	WASHER - PLAIN 1/2"
36	1	17737	BUMPER STRAP
37	2	16672	SCREW - HEX. HEAD 5/16-18 x 3/4"
38	2	14500	SCREW - HEX. HEAD CAP 1/2-13 x 2-1/2"
39	2	10513	NUT - HEX JAM 1/2-13
40	1	16746	ARM

NOTE: Unless indicated, Part No. applies to all models.

BRUSH LIFT ASSEMBLY - REV. A

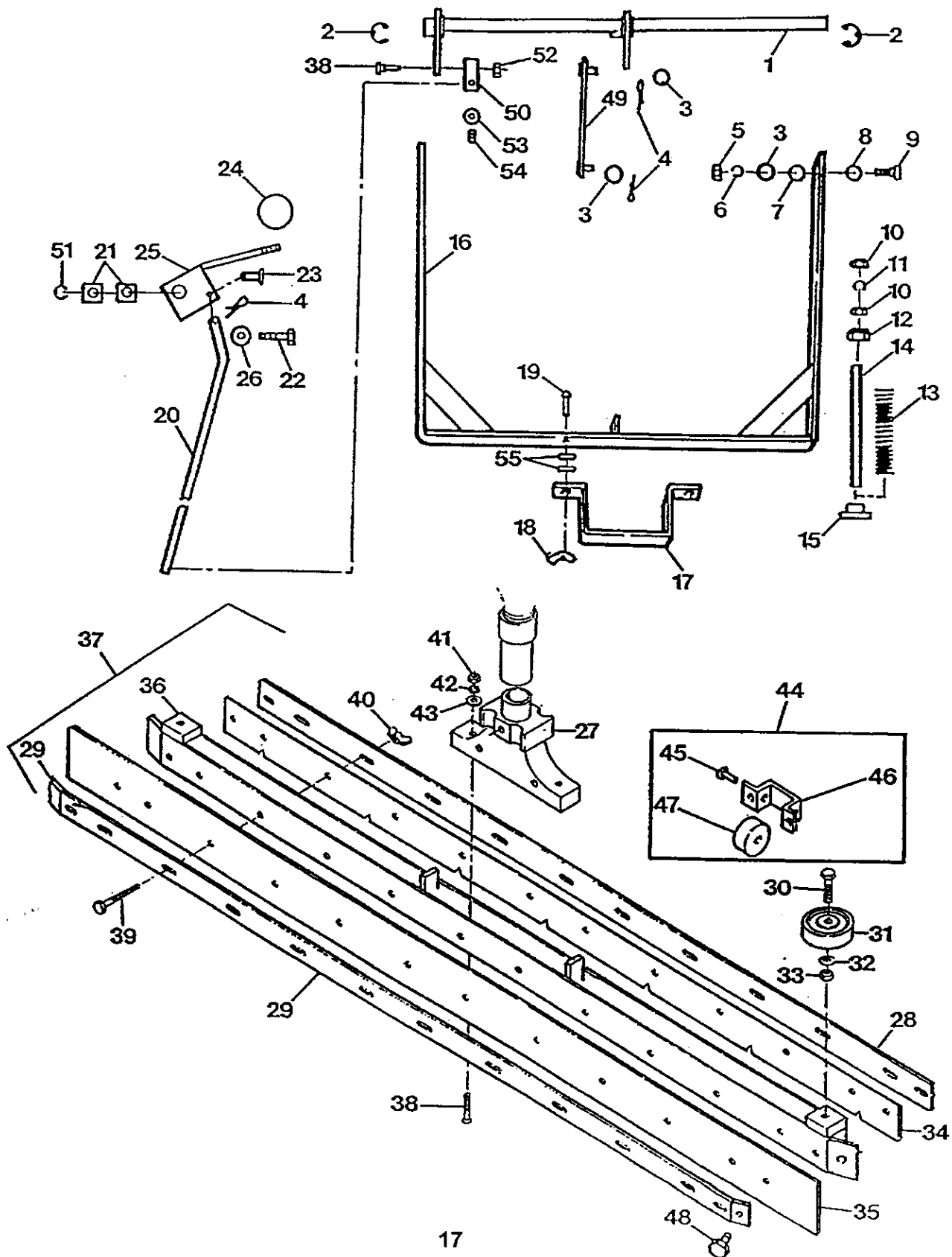


BRUSH LIFT ASSEMBLY

Item No.	Qty.	Part No.	Description
1	1	03338	KNOB, BRUSH LIFT
2	1	03339	ROLL PIN, PLUNGER
3	1	03336	PLUNGER, BRUSH LIFT
4	1	03340	SPRING
5	1	10519	BRUSH HANDLE S/A
6	1	03658	WASHER
7	1	03736	LOCKWASHER
8	1	03536	WASHER
9	1	03959	SCREW
10	1	03301	WASHER
11	1	01577	WASHER, LOCK
12	1	01589	HUT, HEX
13	1	14829	LINK, BRUSH LIFT
14	2	03955	BUSHING, FLANGED
15	1	10631	LINK ASSEMBLY
16	3	02011	SCREW, SET
17	3	03964	COLLAR
18	1	11209	LINK
19	1	03946	E-RING
20	4	03470	E-RING
21	2	07551	PIN-HANDLE YOKE PIVOT
22	2	15313	MOTOR ADJUSTMENT SPACER
24	1	10530	SPRING, LIFT
25	4	03956	BUSHING, FLANGED
26	2	05537	PIN, GROOVE
27	1	14503	RIVET, SOLID
28	2	14502	RIVET, SOLID
29	4	03952	LINK
30	1	03939	SPRING
31	3	03736	WASHER
32	3	03395	PIN, COTTER
33	2	03361	SCREW, ADJUSTMENT
34	1	14830	BRUSH LIFT S/A
35	2	05282	NUT, JAM
36	1	14828	LINK ASSEMBLY
37	1	04725	SCREW
38	2	01477	NUT
39	2	11302	SCREW
40	1	17133	SWITCH, ACTUATOR
41	3	10894	LOCKNUT
42	1	17207	CLAMP, SWITCH
43	1	17208	PAD, RUBBER
44	1	17134	SWITCH TILT
45	1	10542	BEARING
47	2	11028	KEY
48	2	10568	KEY

NOTE: Unless indicated, Part No. applies to all models.

SQUEEGEE ASSY. AND LIFT MECHANISM - REV. A

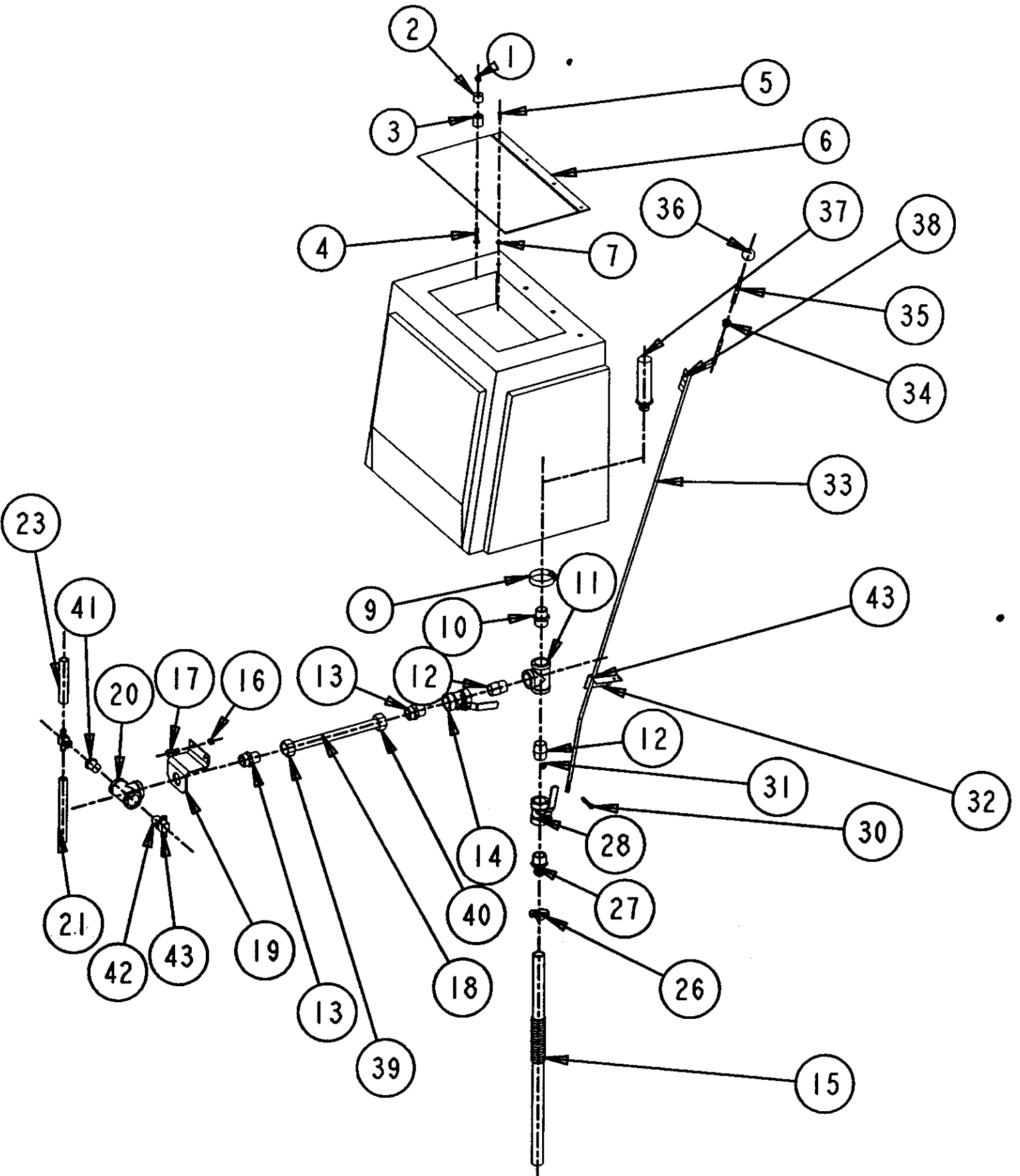


SQUEEGEE ASSEMBLY AND LIFT MECHANISM

Item No.	Qty.	Part No.	Description
1	1	03845	SHAFT ASSEMBLY, SQUEEGEE LIFT
2	2	03472	RING, RETAINING
3	6	03301	WASHER
4	3	03395	PIN, COTTER
5	1	01589	NUT
6	4	01577	LOCKWASHER
7	2	03888	WASHER
8	2	15638	WASHER
9	2	14010	SCREW, SHOULDER
10	8	02581	NUT, JAM
11	2	03586	LOCKWASHER
12	2	03376	NUT, SPRING ADJUSTING
13	2	03373	SPRING, SQUEEGEE
14	2	13734	ROD, SQUEEGEE GUIDE
15	2	03375	SPRING GUIDE
16	1	10967	SQUEEGEE PIVOT ARM GUIDE SERVICE ASSEMBLY
17	1	10966	BRACKET, SQUEEGEE
18	2	03494	NUT, WING
19	2	03320	SCREW
20	1	03846	ROD, SQUEEGEE LIFT
21	2	03417	SPACER
22	1	16481	PIN
23	1	03393	PIN, LIFT
24	1	03418	KNOB, LIFT ROD
25	1	03416	BRACKET, SQUEEGEE LIFT
26	2	16581	SPACER, THICK
27	1	10971	NOZZLE THROAT
28	1	17250	RETAINER STRIP FRONT, 26"
	1	10468	RETAINER STRIP FRONT, 33"
29	1	17251	RETAINER STRIP REAR, 26"
		11698	RETAINER STRIP REAR, 33"
30	2	14500	SCREW
31	2	14817	WHEEL, RUB
32	4	07723	WASHER, WAVE
33	2	10513	NUT
34	1	10470	SQUEEGEE BLADE, FRONT, 33"
		17248	SQUEEGEE BLADE, FRONT, 26"
35	1	10471	SQUEEGEE BLADE, REAR, FIRM, 33"
		17249	SQUEEGEE BLADE, REAR, FIRM, 26"
		14627	SQUEEGEE BLADE, REAR, SOFT, 33"
		17261	SQUEEGEE BLADE, REAR, SOFT, 26"
36	1	11694	SQUEEGEE BODY, 33"
		17253	SQUEEGEE BODY, 26"
37	1	11696	SQUEEGEE ASSEMBLY, FIRM, 33"
		17302	SQUEEGEE ASSEMBLY, FIRM, 26"
		17698	SQUEEGEE ASSEMBLY, SOFT, 33"
		17303	SQUEEGEE ASSEMBLY, SOFT, 26"
38	3	03944	SCREW
39	8	07868	SCREW (QTY. 10 REQ'D FOR 33" MACHINE - 99407)
40	8	01019	NUT, WING (QTY. 10 REQ'D FOR 33" MACHINE - 99407)
41	2	01589	NUT
42	2	01577	WASHER, LOCK
43	2	03301	WASHER, FLAT
44	2	06394	WHEEL BRACKET ASSEMBLY
48	2	02046	SCREW
49	1	10524	LINK
50	1	11448	CLEVIS
51	1	16482	E-RING
52	2	01589	NUT
53	1	10694	NUT
54	1	03965	SET SCREW
55	2	03736	WASHER

NOTE: Unless indicated, Part No. applies to all models.

SOLUTION TANK AND CONTROL SYSTEM REV. A

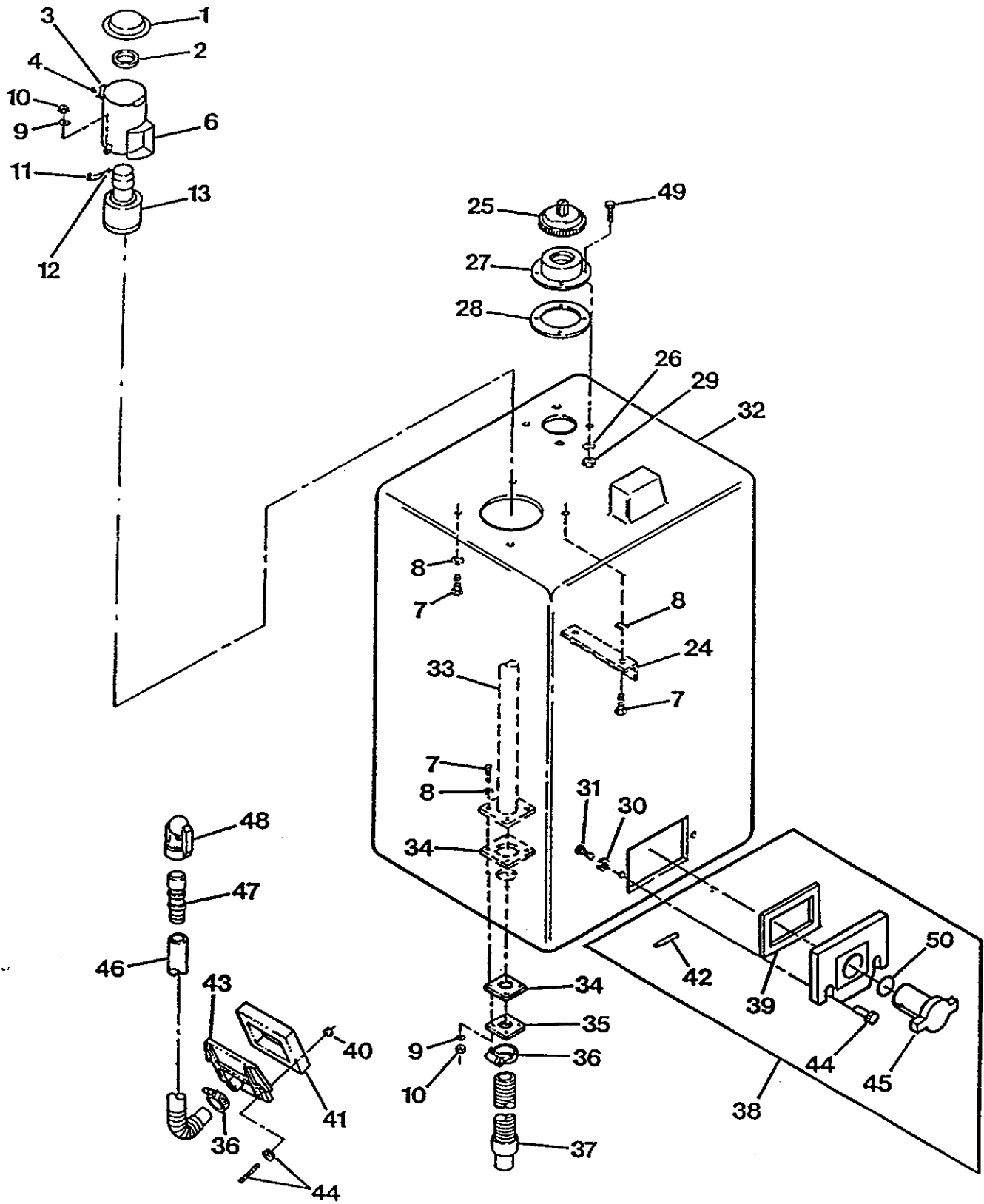


SOLUTION TANK AND CONTROL SYSTEM

Item No.	Qty.	Part No.	Description
1,16	2	07533	NUT-HEX.LOCK(P/T)
2	1	15413	SPACER
3	1	14085	BUMPER
4	1	15461	SCREW, NYLON
5	4	01451	SCREW
6	1	13659	COVER
7	4	00617	NUT-HEX.MACH.SCR.
8	1	15381	TANK-SOLUTION(F/K-M/R)
9	1	16091	CLAMP-HOSE(SCREW)
10	1	19328	NIPPLE-3/4"
11,20	2	11323	TEE
12	2	11325	FITTING-GALV.ADAPTOR
13	2	06393	FITTING-BRASS CPL
14,28	1	16681	VALVE-DRAIN
18	1	03382	HOSE-SOLUTION DRAIN
17	2	17160	SCREW-HEX.HEAD
19	1	14210	BRACKET,SOL.DISP.
21	2	16457	HOSE
23	2	14209	TUBE, PLASTIC VENT
15	1	16682	HOSE - W/BELLOWS SECTION
24,43	2	16446	BARB-TEE
26	1	17308	CLAMP - HOSE NYLON
27	1	15740	FITTING - BARB
30	1	03409	PIN-COTTER
31	1	00851	WASHER
32	1	14178	SPACER PIVOT
33	1	14177	ROD - SOLUTION CONTROL
34	1	14182	BUSHING-SNAP
35	1	14228	TUBE, PLASTIC
36	1	14225	KNOB-1" BALL
37	1	19096	FILTER-SOLUTION
38	1	14180	GAGE, COLOR
39,40	2	03383	FITTING-HOSE
41,42	1	13491	FITTING-GALV.BUSHING
43	1	14229	BUSHING-NYLINER(5/16"D)

NOTE: Unless indicated, Part No. applies to all models.

VACUUM TANK ASSEMBLY - REV. A



VACUUM TANK ASSEMBLY

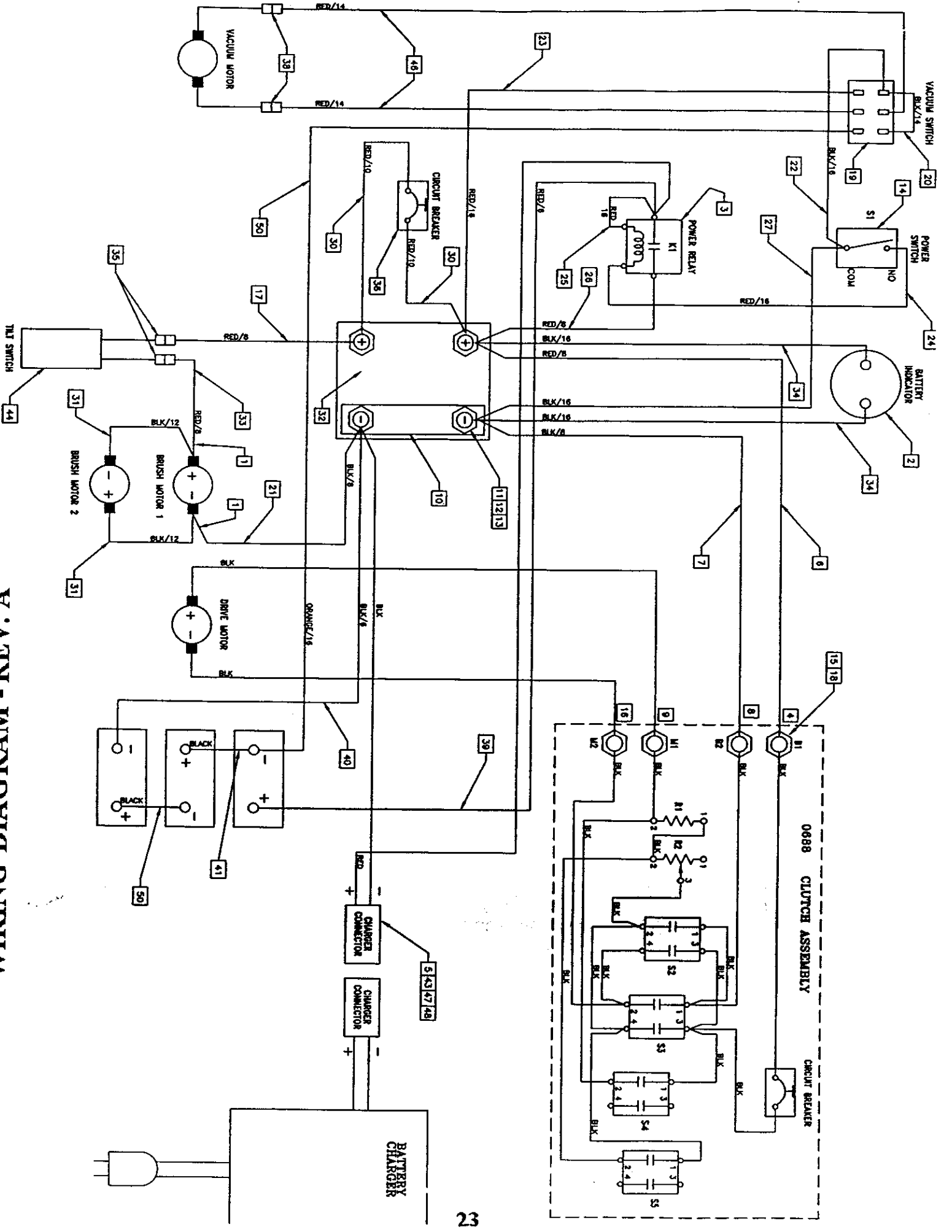
Item No.	Qty.	Part No.	Description
1	1	17232	VAC SHROUD COVER/GASKET
2	1	16609	GASKET
3	1	15429	DRAW LATCH
4	1	03488	RIVET
6	1	17274	VAC SHROUD S/A
7	8	07744	SCREW
8	4	07741	WASHER, SEALING
9	8	01574	LOCKWASHER
10	8	01497	NUT
11	2	16589	TERMINAL, SLIP-ON
12	1	04381	GROMMET
*	1	18925	FLOAT CAGE (M/R)
*	1	18771	FLOAT(L/R & M/R)
13	1	16272	VAC MOTOR
*	1	16277	VAC MOTOR SERVICE ASSEMBLY
*	1	16278	VAC MOTOR UPGRADE KIT REQUIRED TO UPGRADE FROM 2-STAGE TO 3-STAGE VAC MOTOR. INCLUDES ALL NECESSARY PARTS.
*	2	15956	CONNECTOR, QD
25	1	14628	CAP ASSEMBLY
26	4	11385	WASHER, SEALING
27	1	10258	FILLER NECK
28	1	10256	GASKET
29	4	10894	NUT
30	4	10260	WASHER, SEALING
31	2	16031	SCREW
32	1	17276	TANK-RECOVERY
33	1	16059	STANDPIPE ASSEMBLY
34	2	03419	GASKET
35	1	03397	FLANGE, STANDPIPE
36	2	16091	CLAMP, HOSE
37	1	03883	HOSE
*	1	18833	HOSE-CLAMP SCREW
38	1	13793	DRAIN VALVE (SERVICE ONLY)
39	1	03492	GASKET (SERVICE ONLY)
40	2	05282	NUT, JAM
41	1	17646	GASKET, DRAIN PLATE
42	1	03333	ROLL PIN (SERVICE ONLY)
43	1	15535	PLATE, TANK DRAIN
44	2	03493	NUT, THUMB
45	1	03369	DRAIN VALVE SPOOL (SERVICE ONLY)
46	1	16620	HOSE ASSEMBLY
47	1	18563	NOZZLE-DRAIN HOSE
48	1	16089	PLUG-DRAIN HOSE
49	1	15622	SCREW
50	1	03387	O-RING (SERVICE ONLY)

*NOT SHOWN

NOTE: Unless indicated, Part No. applies to all models.

NOTE: ITEMS 14 THROUGH 23 INCLUSIVE REPLACED BY 18961

WIRING DIAGRAM - REV. A



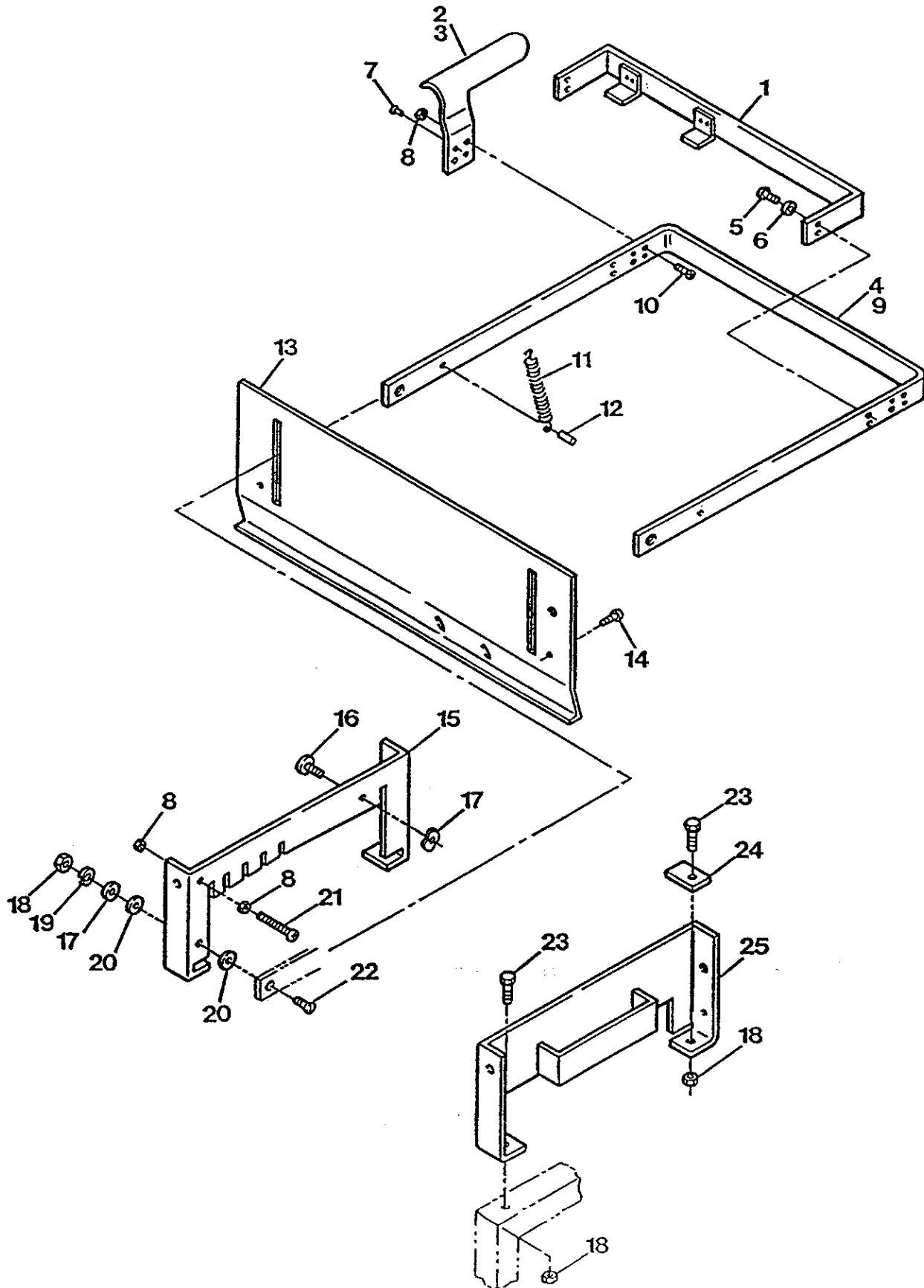
WIRING DIAGRAM

Item No.	Qty.	Part No.	Description
1	2	30086	WIRE NUT-BLUE
2	1	12329	GAGE-BATTERY CONDITION
3	1	10333	RELAY
4	1	05433	WIRE MARKER B1
5	2	16924	SCREW-PAN HEAD(PHILLIPS)
6	1	03878	WIRE
7	1	03879	WIRE
8	1	05434	WIRE MARKER B2
9	1	05435	WIRE MARKER M1
10	1	03911	BUS BAR
11	4	03914	WASHER-PLAIN (BRASS)
12	4	03913	SCREW-FLAT HEAD 3/8-16 X 1"(BRASS)
13	4	03915	NUT-HEX.JAM
14	1	05215	SWITCH
15	4	05582	SCREW-SOCKET HEAD CAP 1/4-20 X 1"(COPPER FLSH)
16	1	05436	WIRE MARKER M2
17	1	05539	WIRE
18	4	16129	NUT-HEX.LOCK(KEPS) 1/4-20
19	1	06503	SWITCH
20	1	06508	JUMPER, SWITCH
21	1	03909	LEAD 8GA BLACK
22	1	10335	WIRE
23	1	10336	WIRE
24	1	10337	POSITIVE SWITCH LEAD
25	1	10338	JUMPER, RELAY
26	1	10339	WIRE
30	2	10517	WIRE
31	2	10518	WIRE
32	1	10549	TERMINAL BOARD
33	1	10629	POSITIVE LEAD
34	2	12318	INDICATOR LEAD
35	2	14227	CONNECTOR
36	1	14454	CIRCUIT BREAKER
38	2	15956	DOUBLE MALE CONNECTOR
39	1	18979	CABLE-BATTERY
40	1	18978	CABLE-BATTERY
41	2	19420	CABLE-BATTERY,JUMPER
43	2	15243	TERMINAL-CHARGER CONTACT
44	1	17134	SWITCH, TILT
46	2	17181	WIRE ASSY., VAC MOTOR
47	1	15242	CONNECTOR-CHARGER(36V)
48	2	02958	NUT-HEX.LOCK(KEPS)
50	1	18977	CABLE-BATTERY/LIGHT 6 GA. X 13"BLK/37"ORANGE

***NOT SHOWN**

NOTE: Unless indicated, Part No. applies to all models.

SPEED CONTROL ASSY. AND UPPER REAR FRAME - REV. A



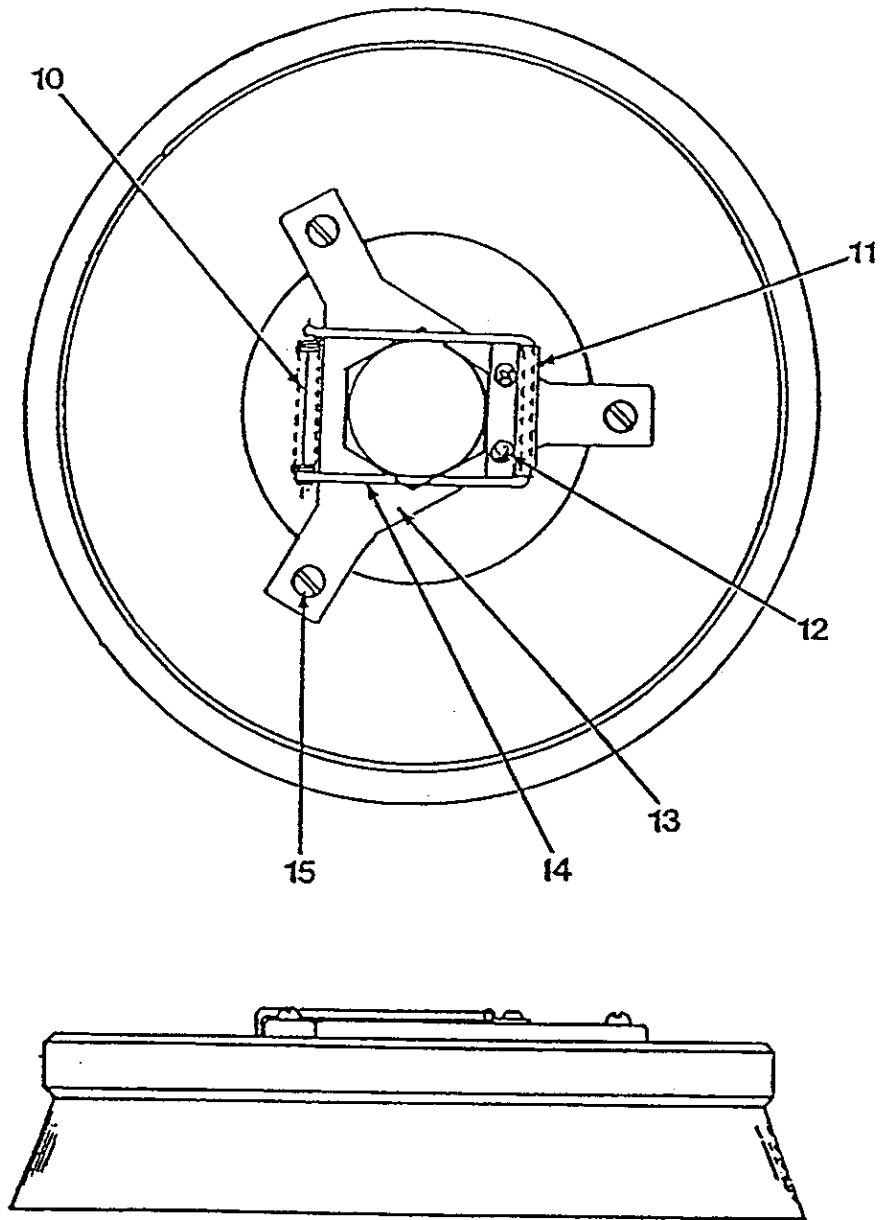
SPEED CONTROL ASSEMBLY & UPPER REAR FRAME

Item No.	Qty.	Part No.	Description
1	1	6887	Switch Arm Assembly
2	1	3854	Handle, Right Side
3	1	3855	Handle, Left Side
4	1	15445	Clutch Arm
5	4	16583	Screw
6	4	11007	Lock Washer
7	4	3865	Roll Pin
8	8	2217	Lock Nut
9	1	15414	Handle Grip, Foam Rubber
10	4	5427	Screw
11	2	3872	Spring
12	2	3870	Pin, Grooved
13	1	11807	Nameplate, Only Available when Old Serial is Supplied
14	2	3261	Screw
15	1	10271	Upper Frame, Right Side
16	3	3922	Screw, Clutch
17	5	3301	Washer
18	6	1589	Nut
19	4	1577	Lock Washer
20	4	3886	Washer
21	2	2038	Screw
22	2	14010	Shoulder Screw
23	4	3361	Screw
24	2	15540	Block, Lever Stop
25	1	10275	Upper Frame, Left Side

*NOT SHOWN

NOTE: Unless indicated, Part No. applies to all Models

BRUSH COMPONENTS - REV. A



BRUSH COMPONENTS

Item No.	Qty.	Part No.	Description
10	2	14795	SPRING
11	2	03963	CLAMP, BRUSH RETAINER
12	4	03660	SCREW-PAN HEAD
13	4	10431	SCREW
14	2	17309	BRUSH RETAINER
15	6	18022	SCREW, WOOD
17		97917	YOKE AND RETAINER ASSEMBLED

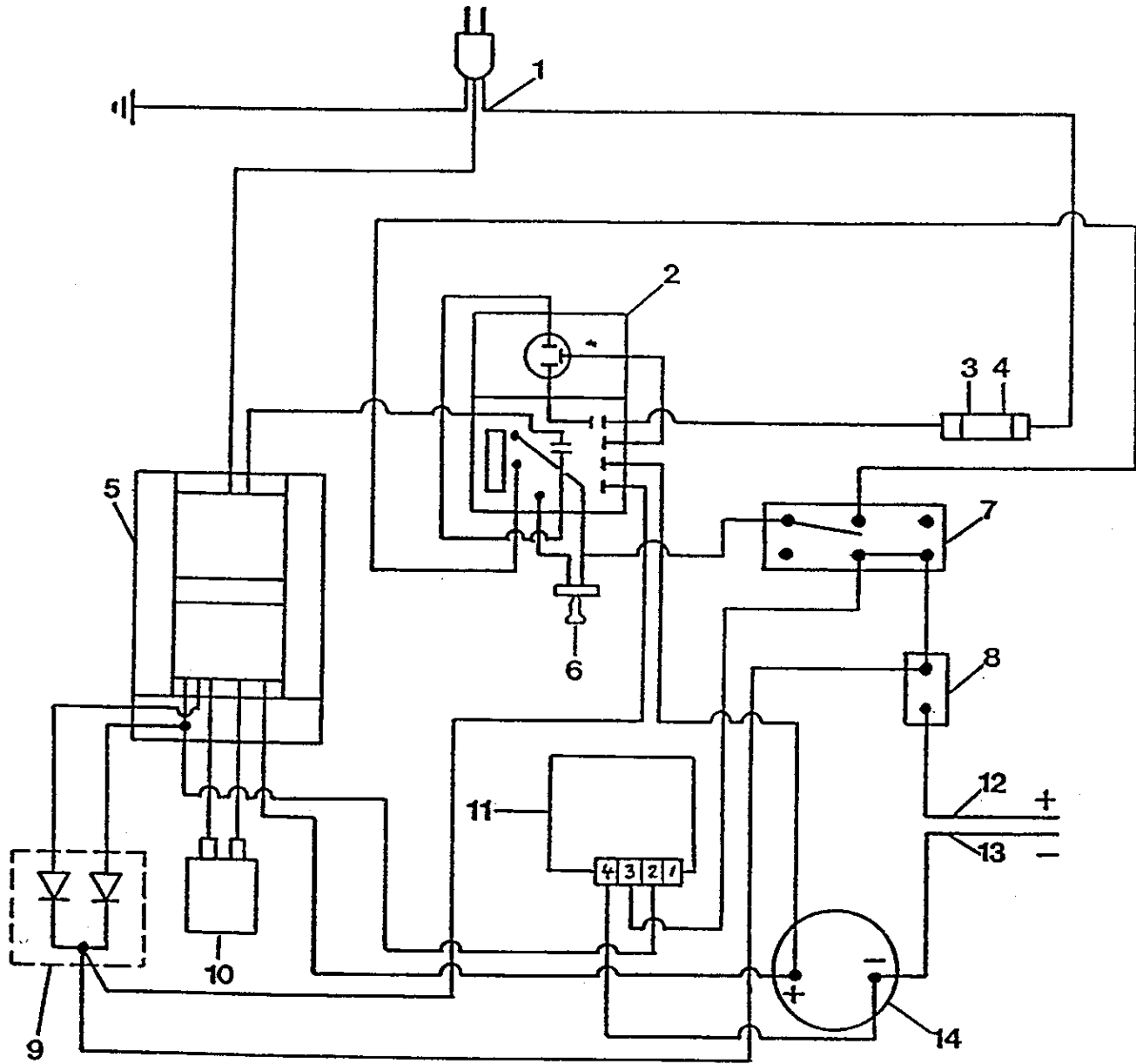
26 INCH BRUSHES

Qty.	Part No.	Description
2	97917	YOKE & RETAINER SET
2	99159	PAD HOLDER-14"
2	99156	BRUSH-POLY. 14"
2	99157	BRUSH-GRIT 14"

30 INCH BRUSHES

Qty.	Part No.	Description
2	97917	YOKE & RETAINER SET
2	98566	PAD HOLDER-17"
2	98283	BRUSH-POLY. 17"
2	98373	BRUSH-GRIT 17"

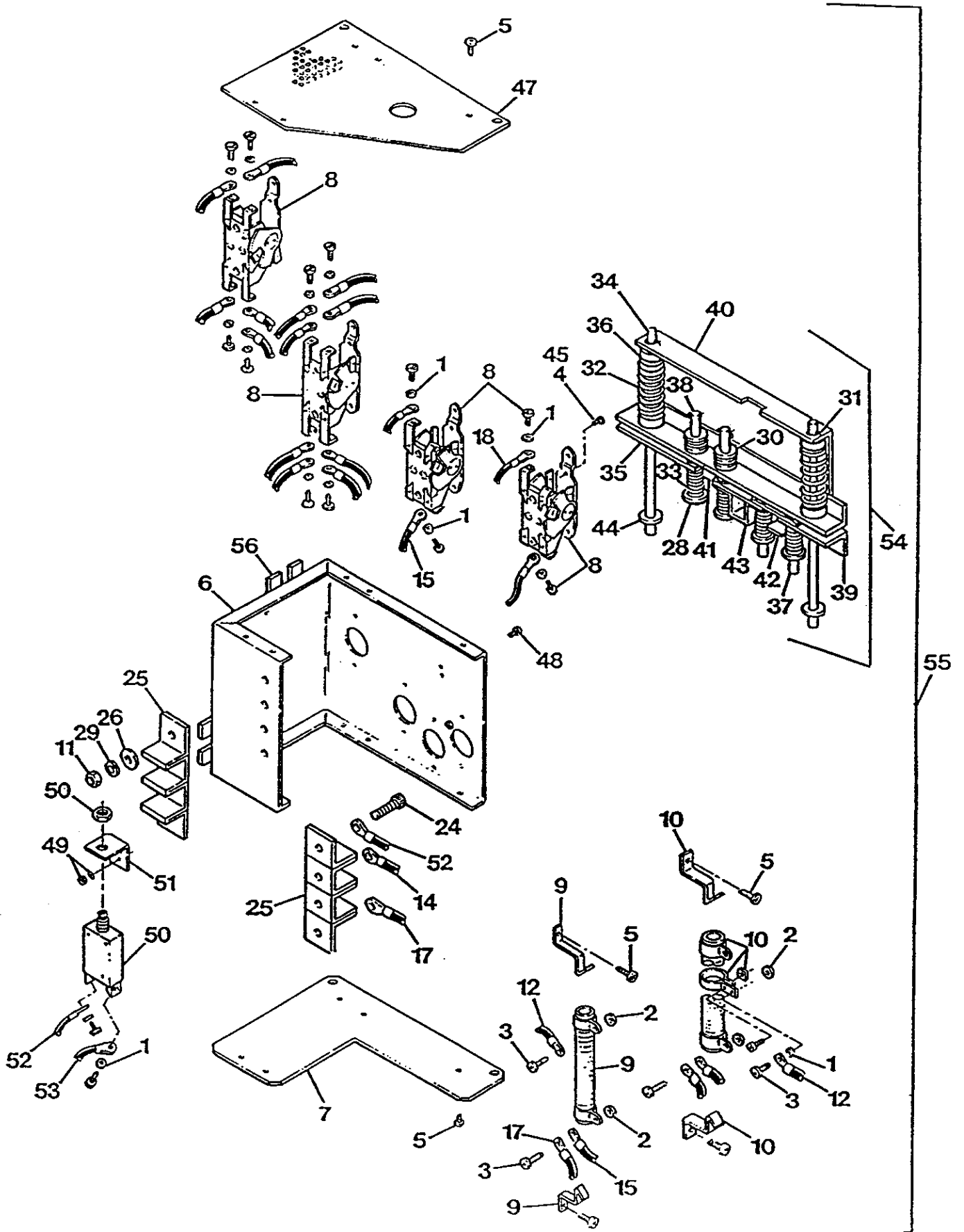
BATTERY CHARGER 99515 - REV. A



BATTERY CHARGER 99515

Item No.	Qty.	Part No.	Description
1	1	22498	CORD, AC WITH PLUG
3	1	24013	FUSE HOLDER, AC
4	1	10218	FUSE, AC
6	1	22544	SWITCH, STOP
7	1	23349	SWITCH, START
8	1	22495	FUSE, DC
9	1	10207	RECTIFIERS WITH MOUNTING PLATE
10	1	10210	CAPACITOR
12	1	10404	DC OUTPUT CABLE, POSITIVE
13	1	10415	DC OUTPUT CABLE, NEGATIVE
14	1	22497	AMMETER
*	1	02961	STRAIN RELIEF BUSHING

ELECTRIC CLUTCH ASSEMBLY - REV. A



ELECTRIC CLUTCH ASSEMBLY

Item No.	Qty.	Part No.	Description
1	20	615	Lockwasher
2	4	617	Nut
3	4	2995	Screw
4	8	5768	Screw, Switch Mounting
5	14	3261	Screw
6	1	3842	Switch Housing Sub — Assy.
7	1	6885	Cover
8	4	6889	Switch, with Screws
9	1	3873	Resistor, with Mounting Clips
10	1	3874	Resistor, with Band, Mounting Clips
11	4	1497	Nut
12	6	3882	Switch Lead
14	2	5677	Lead Wire
15	2	3932	Switch Lead
17	1	3934	Resistor Lead
18	2	3935	Switch Lead
* 19	1	5437	Terminal Marker (B1)
* 20	1	5438	Terminal Marker (B2)
* 21	1	5439	Terminal Marker (M1)
* 22	1	5440	Terminal Marker (M2)
24	4	5582	Screw
25	2	13973	Fibre Strip
26	8	14142	Washer
28	16	3218	Washer
29	4	1574	Lockwasher
30	6	2373	Spring Washer
31	18	9087	Cotter Pin
32	2	6833	Spring — Main
33	4	6838	Spring — Switch
34	2	6842	Guide Rod — Channel
35	6	6843	Snap — In Bushing
36	4	6844	Spring Guide Bushing
37	2	6845	Switch Spring Guide
38	2	6846	Guide Rod
39	1	6866	Forward Actuator Sub — Assy.
40	1	15537	Reverse Actuator
41	1	6869	No. 1 Switch Actuator Sub — Assy.
42	1	6873	No. 2 Switch Actuator Sub — Assy.
43	1	6878	No. 3 Switch Actuator Sub — Assy.
44	4	851	Washer
45	8	616	Nut, Switch Mounting
* 46	1	13971	Clutch Insulator
47	1	14072	Vent Cover Plate
48	2	2007	Screw, Circuit Breaker Bracket
49	2	2625	Locknut
50	1	16419	Circuit Breaker with Nut
51	1	16418	Bracket, Circuit Breaker
52	1	16421	Lead, Circuit Breaker
53	1	16422	Lead, Circuit Breaker
54	1	6867	Actuator Assembly, Complete
55	1	6888	Clutch Assembly, Complete
56	3	13797	Nut, for Clutch Mounting

*NOT SHOWN

TE: Unless indicated, Part No. applies to all Models