

ADVANCE MIGHTY MAID

MODELS AMM12, AMM12-5, AMM12-J

PARTS LIST



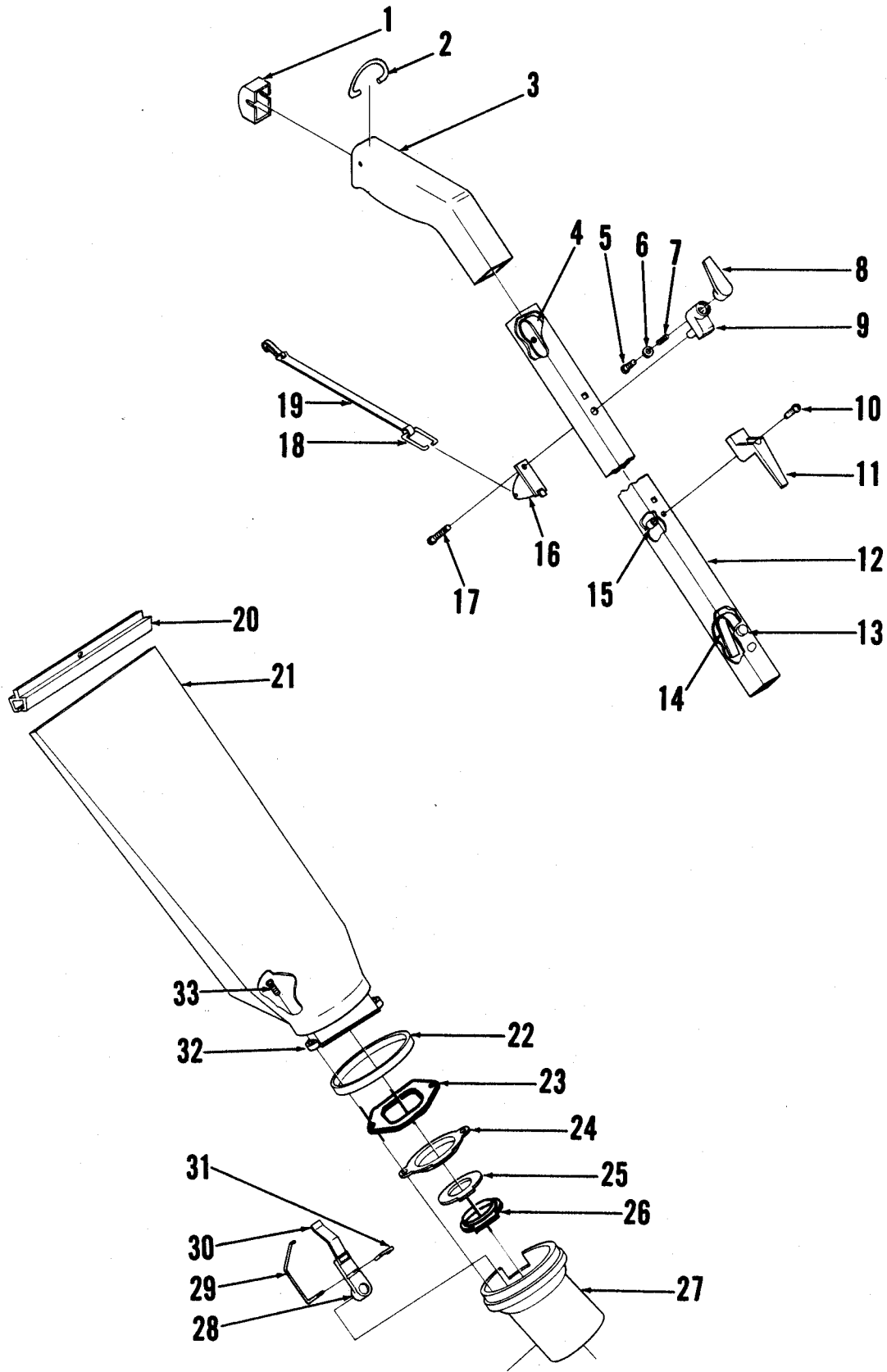
ADVANCE
MACHINE COMPANY

INTERNATIONAL HEADQUARTERS, Plymouth, Minnesota 55441-3485
EUROPE, L'antrisant, Pontyclun, Mid-Glamorgan CF7 8YZ, Wales, United Kingdom
CANADA, 1295 Crestlawn Drive, Mississauga, Ontario L4W 1A9



Index for Form Number 042169

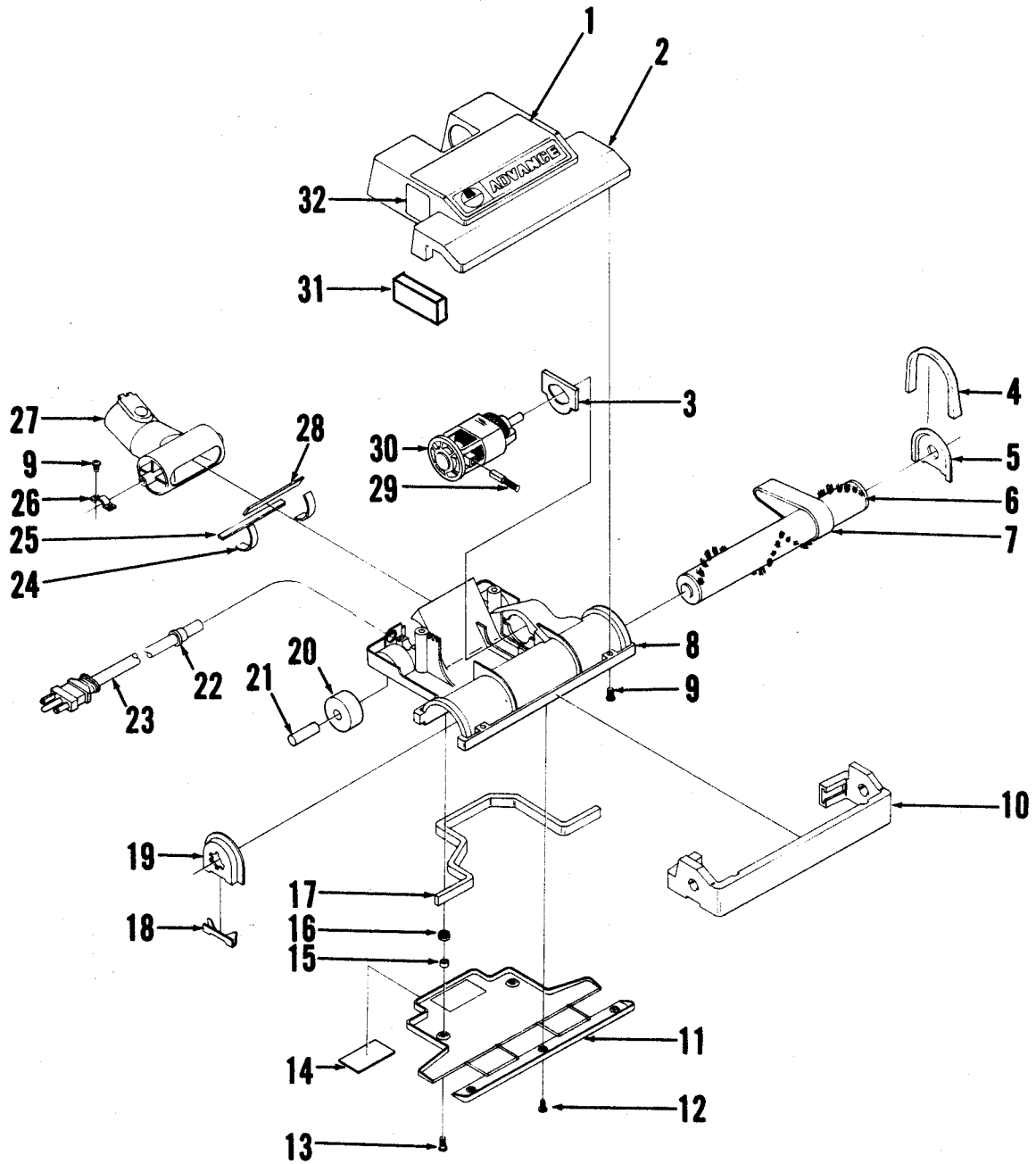
Description	Location	page
Bag and Handle	B11	1
Base	B13	3
Motor, Vacuum	C1	5



BAG AND HANDLE ASSEMBLY

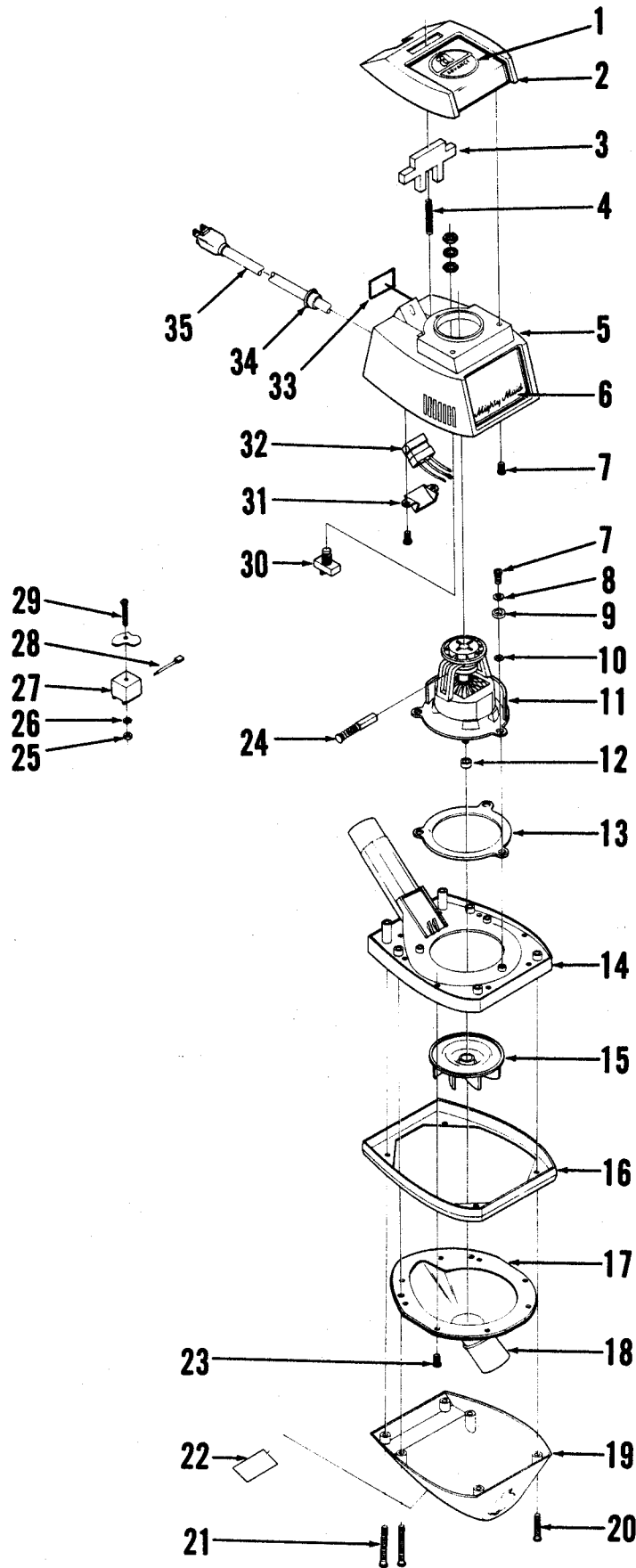
Item	Part No.	Qty	Description
1	706224	1	Plug Handle
2	706222	1	Hook Handle
3	706220	1	Handle Grip
4	706226	1	Button Snap
5	706157	1	Screw
6		1	#6 Flat Washer
7	706214	1	Spring
8	706210	1	Hook Base
9	706212	1	Hook Arm
10		1	#6-32 X .50 Screw
11	706206	1	Cord Hook
12	706202	1	Handle Tube
13	706228	1	Button Cap
14	706204	1	Button Snap
15	706234	1	Nutsert
16	706216	1	Clip
17	706218	1	Screw
18	706232	1	Formed Wire
19	706230	1	Bag Strap Assembly
20	706194	1	Bag Clip
21	706192	1	Collector Bag
**	706196	1	Disposable Bags (pkg of 10)
22	706172	1	Bag Band
23	706175	1	Gasket
24	706190	1	Collar
25	706188	1	Gasket
26	706186	1	Plate
27	706174	1	Neck
28	706178	1	Button
29	706180	1	Flat Spring
30	706184	1	Torsion Spring
31	706182	1	Wire
32	706176	1	Tube
33	706157	2	Screw

** = Optional Accessory, not included



POWER BRUSH ASSEMBLY

Item	Part No.	Qty	Description
1	018404	1	Decal, Advance
2	706122	1	Shroud Cover
3	706166	1	Mount Gasket
4	706111	2	Panel Mount
5	706127	1	Left Side Panel
6	702192	1	Brush Assembly
7	702184	1	Belt
8	706120	1	Housing
9	706157	8	Screw
10	706124	1	Bumper
11	706132	1	Shoe assembly
12	706159	3	Screw
13	706236	2	Screw
14	015400	1	Name Plate
15	706125	2	Washer
16	706051	2	On-Sert
17	706165	1	Gasket
18	706123	2	Clip
19	706128	1	Right Side Panel
20	706116	2	Wheel
21	706168	2	Axle
22	706018	1	Strain Relief 100V, 230V
	706074	1	Strain Relief 115V
23	706014	1	Cord Set 100V, 230V
	706158	1	Cord Set 115V
24	706167	2	Gasket
25	706163	1	Gasket
26	706130	2	Clamp
27	706102	1	Adapter Swivel Assembly
28	706161	1	Gasket
29	706028	2	Brush
30	706016	1	Motor 100V
	706126	1	Motor 115V
	706238	1	Motor 230V
31	706109	2	Foam Filter
32	015314	1	Decal Warning



VACUUM UNIT ASSEMBLY

Item	Part No.	Qty	Description
1	018400	1	Decal, Advance
2	706064	1	Cover
3	706084	1	Bar
4	706094	1	Spring
5	706062	1	Upper Shroud 100V, 115V
	706034	1	Upper Shroud 230V
6	018402	1	Decal, Mighty Maid
7	706097	8	Screw
8	706083	3	Washer
9	706095	3	Washer
10	745699	3	O-Ring
11	706013	1	Motor 100V
	706069	1	Motor 115V
	706032	1	Motor 230V
12	320595	1	Bushing
13	706072	1	Gasket
14	706056	1	Base
15	706052	1	Fan
16	706066	1	Bumper
17	706090	1	Gasket
18	706058	1	Lower Base
19	706060	1	Lower Shroud
20	706098	2	Screw
21	706099	4	Screw
22	015365	1	Name Plate
23	706157	8	Screw
24	706026	2	Motor Brush
25	001986	1	Nut 230V
26	001952	1	Shakeproof Washer 230V
27	706036	1	Terminal Block 230V
28	706040	2	Wire Assembly 230V
29	002251	1	Screw 230V
30	706096	1	Switch 100V, 115V
	706038	1	Switch 230V
31	706082	1	Clamp
32	706073	1	Receptacle 100V, 230V
	706075	1	Receptacle 115V
33	015314	1	Decal, Warning
34	706018	1	Strain Relief 100V
	706074	1	Strain Relief 115V
	706037	1	Strain Relief 230V
35	706014	1	Cord Set 100V
	706077	1	Cord Set 115V
	706033	1	Cord Set 230V
36	706091	1	Grounding Clip 100V, 115V (not shown)
**	702511	1	D Shaped Adapter for Accessory Tools TSB 504 - G10

** = Optional Accessory, not included