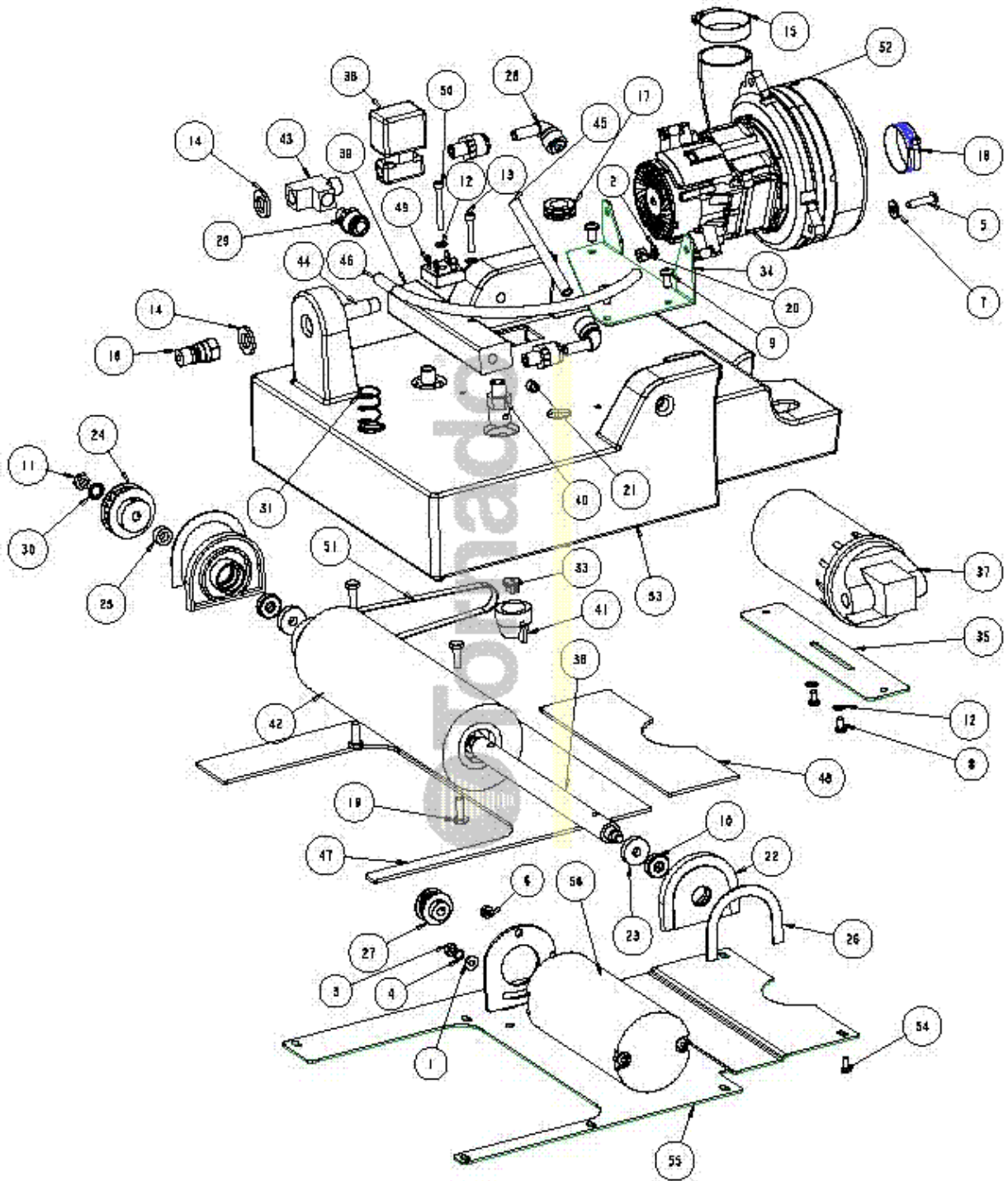
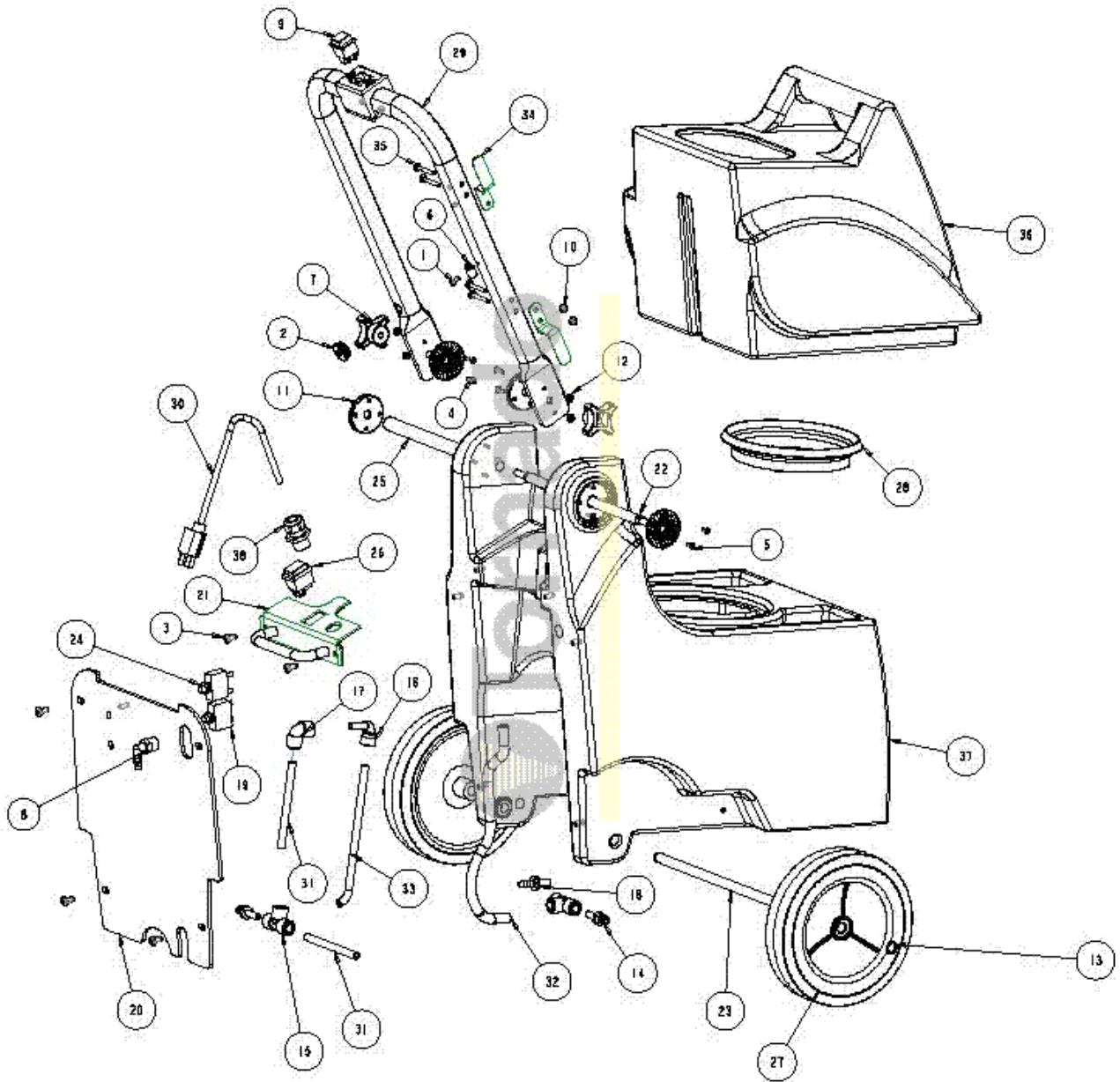


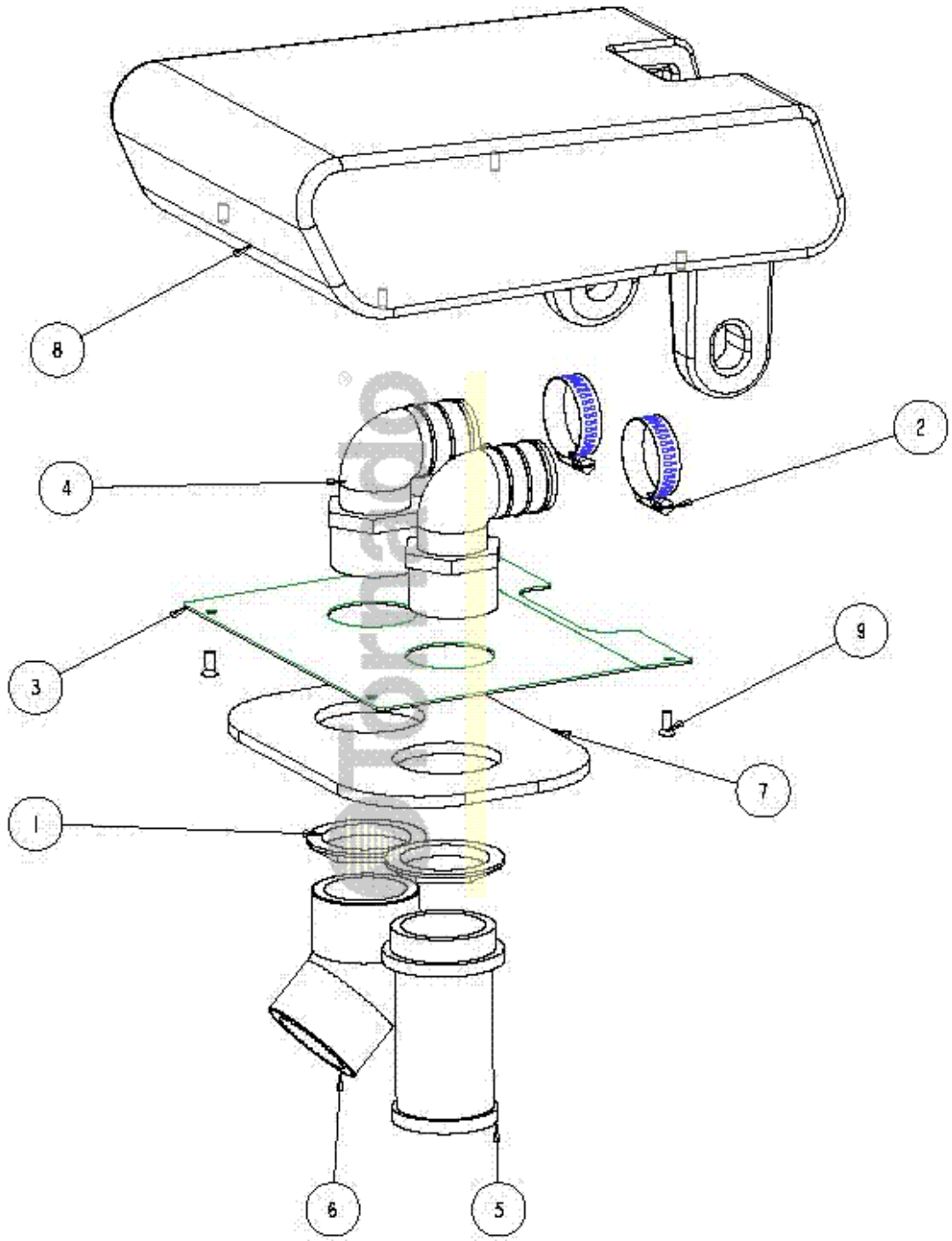
No.	Number	Qty	Description
1	07870	4	WASHER-LOCK(I/T)1/4
2	15139	5	TERMINAL-Q.D.FEMALE 1/4 X 16/14GA.(FUL.INS)
3	15391	3	TERMINAL-Q.D.FEMALE 1/4 X 16/14GA.(PIGGYBK)
4	17177	4	SCREW-HEX HD CAP 1/4-20 X 1-1/4 (SS)
5	32971	1	1.5 HOSE DISCHARGE
6	32972	1	1.5 HOSE INTAKE
7	32994	1	DECAL PICTORAL INSTRUCTION
8	32995	1	DECAL WARNING
9	32996	1	DECAL PICTORAL HAZARD
10	32997	1	DECAL READ INSTRUCTIONS PICTORAL
11	32998	1	DECAL SOLUTION TANK WARNING
12	32999	1	DECAL RECOVERY TANK WARNING
13	33042-B	2	LABEL WINDSHEAR 3000 FRONT BLACK HOUSING
14	33066	2	WASHER-5/16" ID 11/32" OD STEEL
15	30812	1	DECAL-LOGO SWIRL 3.625 DIA. BLACK
16	33408	2	BOLT, SHOULDER 1/4-20 x 1.25L SS



No.	Number	Qty	Description
1	00696	1	WASHER-PLAIN #10 ID (ZP)
2	01574	2	WASHER-LOCK(H/S)1/4
3	01604	1	NUT-FINISHED HEX #10-32 (ZP)
4	01713	1	WASHER-LOCK(H/S)#10
5	02038	2	SCREW-PHIL. RND HD MACH 1/4-20 X 1.00 (ZP)
6	02625	1	NUT-HEX.LOCK(KEPS) #10-32 (ZP)
7	03218	2	WASHER-PLAIN 1/4 ID (ZP)
8	03261	2	SCREW-TCT(F)PAN HEAD #10-32 X 3/8
9	04442	3	SCREW-PHIL. PAN HD MACH 1/4-20 X 1/2 (ZP)
10	05209	2	BEARING
11	05282	1	NUT-HEX HEAVY JAM 5/16-18 (ZP)
12	11007	4	WASHER-LOCK(I/T)#10
13	11733	1	SCREW-SOCKET HEAD CAP #10-32 X 1-1/4 (SS)
14	12554	2	WASHER-PLAIN 1/2 ID (NATURAL NYL.)
15	14858	1	CLAMP-HOSE(SCREW) 1-5/16-2-1/4(LINED)
16	14881	1	FITTING-BRASS NIPPLE 1/4FPT X 1/4Q.C.
17	15330	1	GROMMET 5/8 ID
18	16091	1	CLAMP-HOSE(SCREW) 1-1/4-2(LINED)
19	17160	4	SCREW-HEX HD CAP 1/4-20 X 3/4 (SS)
20	17508	2	NUT-FINISHED HEX 1/4-20 (SS)
21	19149	1	FITTING-BRASS PLUG 1/8MPT(HEX.SOCKET)
22	19157	2	BEARING BLOCK-BRUSH (MARATHON)
23	19158	2	BEARING SEAL(05209)
24	19161	1	PULLEY-TIMING (SHAFT) (ALU) #10-32 SET SCREW
25	19190	1	SPACER-1/4(DELRIIN)
26	19228	2	GASKET-BEARING BLOCK (98166-169)
27	32175	1	PULLEY-TIMING BRUSH MOTOR (MARATHON)
28	32183	2	ELBOW-PLUG IN 3/8 O.D. STEM & TUBE (NYLON)
29	32186	3	CONNECTOR-MALE Q.D.(NYL) 3/8 TUBE X 1/4 THREAD
30	32245	1	WASHER-LOCK (I/T) 5/16 Z/P
31	32905	1	CLEVIS PIN SPRING K53325040
32	32936	1	2 HOSE-VAC EXHAUST
33	32937	2	SPRAY NOZZLE
34	32946	1	BRACKET-VAC MOTOR
35	32948	1	PUMP BRACKET
36	32959	1	BRUSH AXLE SMALL
37	32962	1	PUMP-115VAC .60 AMPS 1.6 GPM 60 PSI
38	32963	1	SOLENOID VALVE WITH CONTROLLER
39	32973	1	SPRAY MANIFOLD
40	32974	2	NOZZLE CONNECTOR
41	32975	2	NOZZLE CAP
42	32982	1	BRUSH CYLINDRICAL 10.25
43	33000	1	1/4 NPT BRASS TEE
44	33002	1	1/4 NPT BRASS PIPE 2 LONG
45	33006	1	JG TUBING 3/8 4.5" LONG
46	33007	1	HOSE-3/8OD X 14 LG. JG TUBING
47	33450	1	GASKET, BOTTOM/MOTOR PLATE ORDER WITH 33015
48	33015	1	GASKET-LOWER HOUSING(B) ORDER WITH 33450
49	33061	1	25A RECTIFIER
50	33063	1	#10-32 HEX BOLT 1-5/8" LONG
51	33073	1	17" BELT-98150LM
52	33086	1	VAC MOTOR 120V 2 STAGE 98150
53	33090	1	HOUSING, MOTOR/PUMP-BLACK 98150
54	33094	10	#10-32 X 3/8" FLAT HEAD SCREW (SS)
55	33427	1	PLATE, MOTOR MOUNT/BOTTOM COVER REPLACES 32945, 32949
56	X9002	1	MOTOR-BRUSH



No.	Number	Qty	Description
1	03261	1	SCREW-TCT(F)PAN HEAD #10-32 X 3/8
2	04145	1	GROMMET 3/8 ID X 9/64 WALL
3	04442	6	SCREW-PHIL. PAN HD MACH 1/4-20 X 1/2 (ZP)
4	05769	4	SCREW-PHIL. FLAT HD MACH #8-32 X 5/8 (ZP)
5	15475	8	SCREW-PHIL. FLAT HD MACH #8-32 X 3/8 BLACK ZINC
6	17392	1	CLAMP-CABLE(CCH 5/16)
7	18119	2	KNOB - PLASTIC INSERT 5/16-18
8	18486	1	FITTING - PLASTIC ELBOW 3/8 NPT X 3/8
9	19121	1	SWITCH-PUSH BUTTON MOM.10A,125/250VAC,1/4HP
10	19145	4	NUT-HEX LOCK (NYL.INS.) #10-24 (SS)
11	19798	4	BRACKET SPIR.GRVD-HANDLE (93030)INFILTRATED STEEL
12	30074	4	NUT-HEX.LOCK STEEL # 8-32 (ZINC PLATE)
13	30507	2	SNAP RING 1/2 EXTERNAL (93030) .05 THK.
14	32181	2	STEM ADAPTER 3/8 X 1/4 (NYLON) MARATHON
15	32182	2	UNION TEE 3/8 TUBE SIZE (NYLON) MARATHON
16	32183	1	ELBOW-PLUG IN 3/8 O.D. STEM & TUBE (NYLON)
17	32189	1	ELBOW-SWIVEL 3/8 TUBE (NYLON)
18	32257	1	FITTING-STEM 3/8 X 3/8 TUBE/HOSE (NYLON)
19	32935	1	CIRCUIT BREAKER 3 AMP
20	32944	1	BACK COVER - ABS
21	32952	1	CONTROL PANEL ASSEMBLY
22	32954	1	HINGE BAR
23	32955	1	WHEEL AXLE- SMALL
24	32964	1	CIRCUIT BREAKER 10A
25	32965	1	HINGE BAR SLEEVE
26	32966	1	ON/OFF SWITCH- DOUBLE POLE SINGLE THROW
27	32969	2	8 WHEEL-GRAY PLASTIC 1/2 HUB, 1-5/8 OFFSET
28	32970	1	NYLON MESH FILTER-4BAG
29	32989	1	TUBULAR HANDLE ASSEMBLY
30	33003	1	POWER CORD-16/3 20' YELLOW SJTW
31	33006	2	JG TUBING 3/8 4.5" LONG
32	33008	1	CLEAR VINYL TUBING 3/8" ID
33	33010	1	HOSE-3/8OD X 8.5 LG. JG TUBING
34	33012	2	CORD WRAP BRACKET
35	33078	4	CARRIAGE BOLT #10-24 X 1-1/2"
36	33088	1	RECOVERY TANK-YELLOW 98150
37	33089	1	SOLUTION TANK-BLACK 98150
38	PD8+	1	STRAIN RELIEF 1/2" NPT SCE



No.	Number	Qty	Description
1	15092	2	NUT-HEX.FLNGD.LOCK 1-1/2NPT
2	16091	2	CLAMP-HOSE(SCREW) 1-1/4-2(LINED)
3	32950	1	TOP PLATE COVER
4	32976	2	PVC SPIGOT ELBOW 1-1/2 BARBED
5	32977	1	BALL FLOAT
6	32979	1	ELBOW, 45 DEG RUBBER 75-85 DURO
7	33013	1	GASKET-TOP COVER PORON
8	33087	1	COVER-BLACK 98150
9	33094	4	#10-32 X 3/8" FLAT HEAD SCREW (SS)