

MOBILMATIC 17" & 20"

MODELS 387 600 115V-17

387 605 230V-17-5

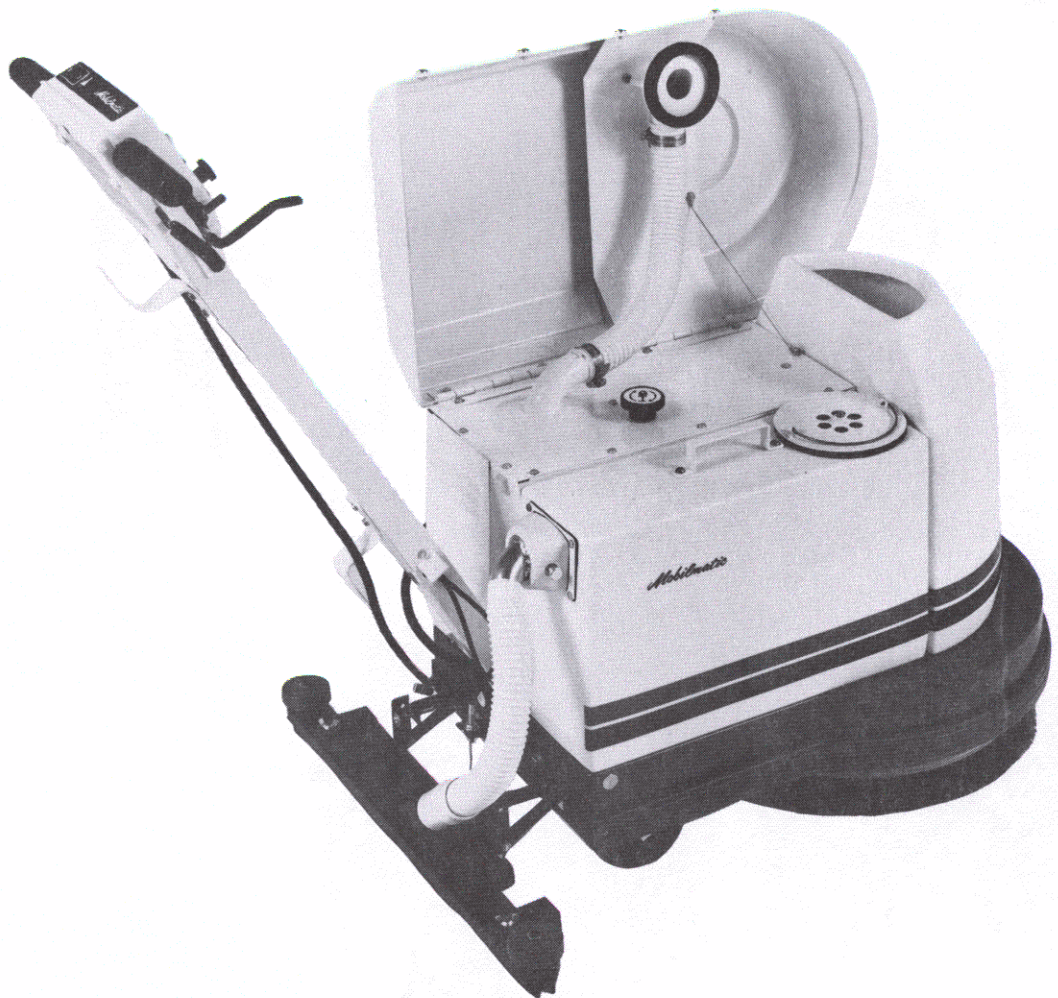
387 700 115V-20

387 705 230V-20-5

FORM NO. 042 094

SEPTEMBER 1983

PARTS LIST



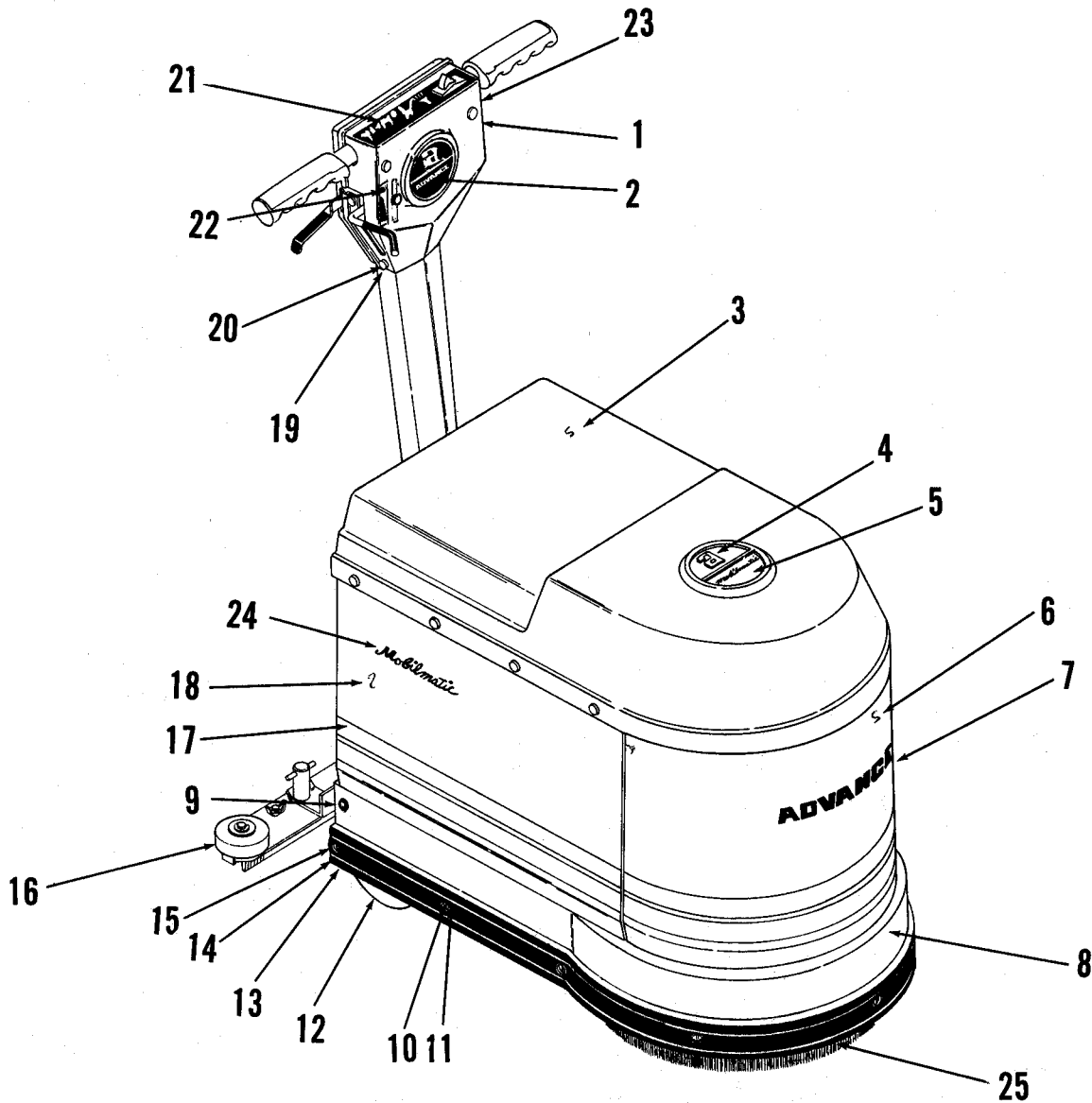
ADVANCE
MACHINE COMPANY

INTERNATIONAL HEADQUARTERS, Spring Park, Minnesota 55384 USA
EUROPE, 4 Rue Jean Engling, L-1466 Luxembourg
CANADA, 1295 Crestlawn Drive, Mississauga, Ontario L4W 1A9



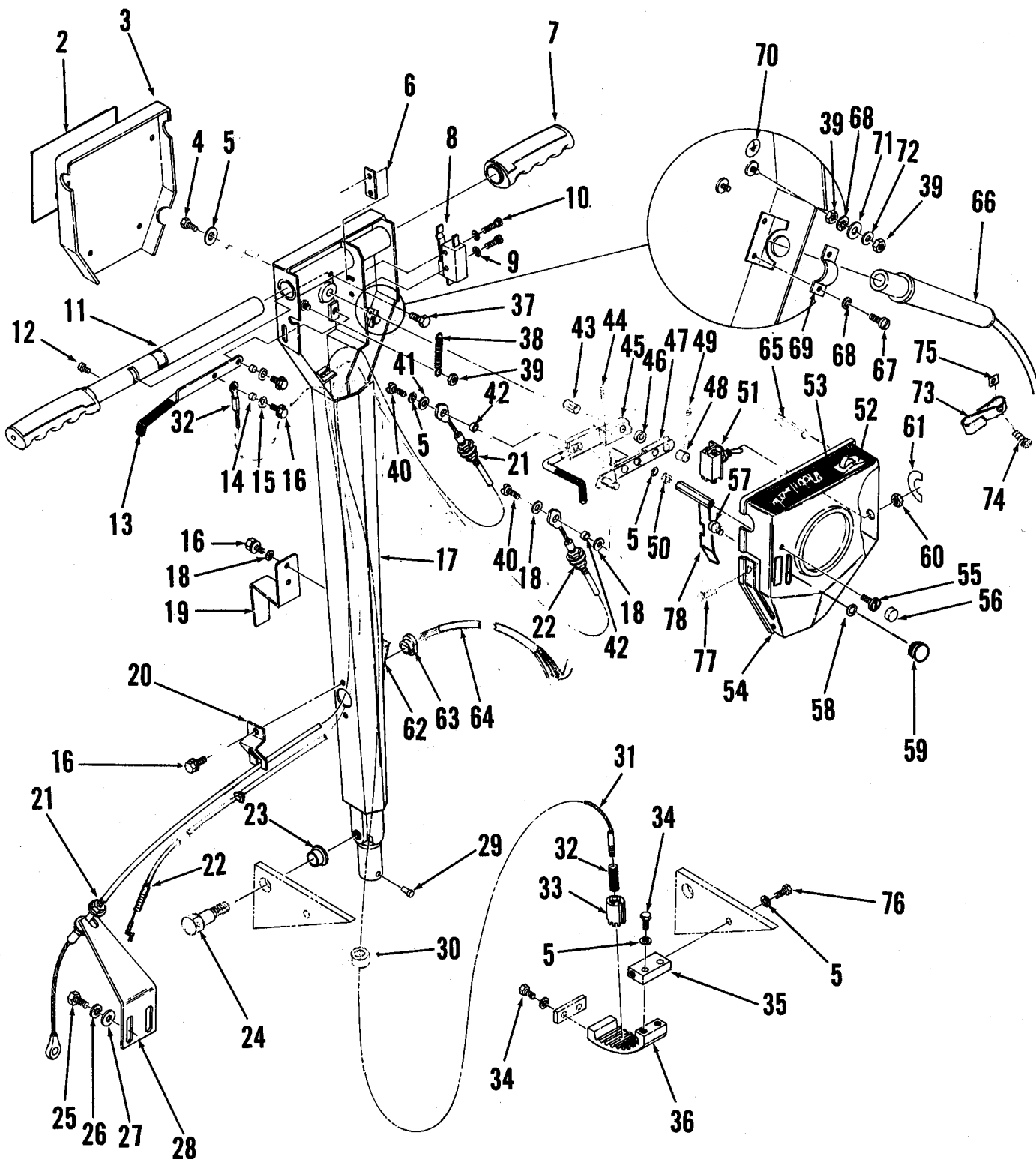
INDEX FOR FORM NUMBER 042094

<u>Description</u>	<u>Location</u>	<u>Page</u>
Brush Drive	C12	8
Cover	C8	4
Handle	C6	2
Outer Body	C5	1
Solution Valve	D2	12
Squeegee	C9	5
Vacuum Motor & Tanks	C10	6
Vacuum Motor (internal parts)	D1	11
Wheels & Adjustment Linkage	C14	10
Wiring Diagram	D3	13



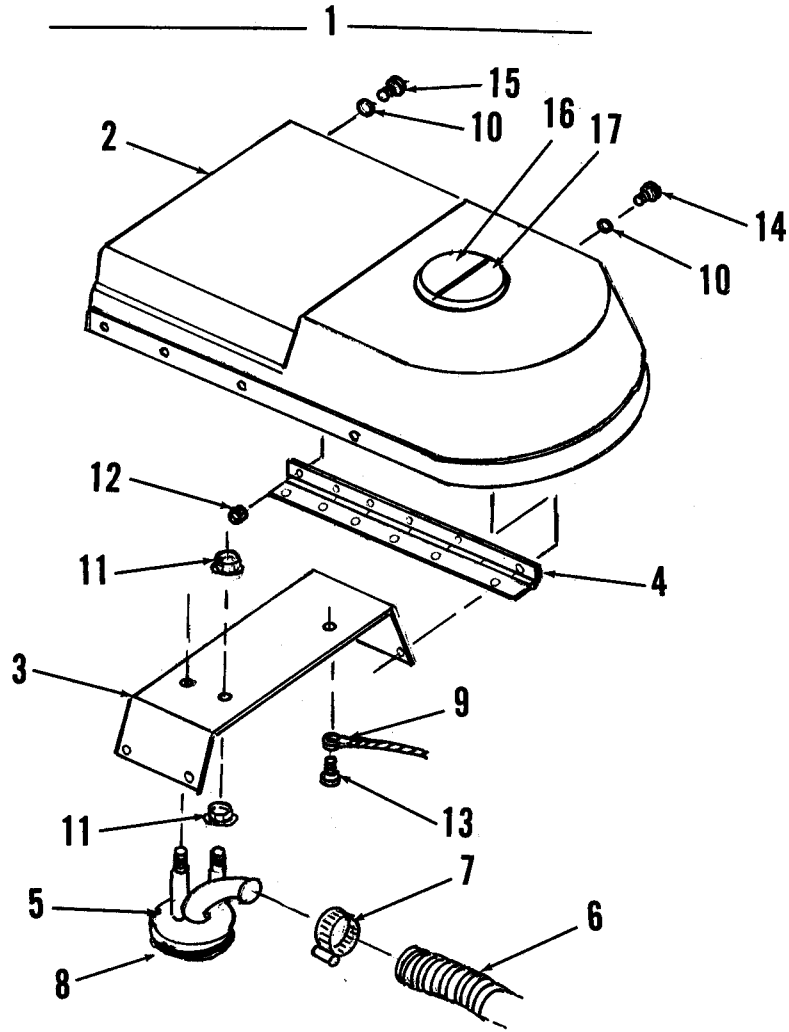
ITEM	PART NO.	QTY	DESCRIPTION	ITEM	PART NO.	QTY	DESCRIPTION
1	387 610	1	HANDLE ASSEMBLY, 115V 17" & 20"	25	387 260	1	PAD HOLDER, 17" (Metal)
	387 611	1	HANDLE ASSEMBLY, 230V 17" & 20"		387 540	1	PAD HOLDER, 20" (Metal)
2	017 019	1	DECAL, Advance		387 364	1	PAD HOLDER, 17" (Wood)
3	387 772	1	COVER ASSEMBLY		387 312	1	BRUSH, Bassine 17"
4	016 398	1	EMBLEM, Advance		387 534	1	BRUSH, Bassine 20"
5	018 312	1	DECAL, Insert 'Mobilmatic'		387 314	1	BRUSH, Nylon 17"
6	387 788	1	TANK ASSEMBLY, Solution		387 536	1	BRUSH, Nylon 20"
7	016 519	1	DECAL, Advance		387 262	1	BRUSH, Union Mix 17"
8	387 022	1	BASE WELDMENT, 17" 115V, 230V		387 538	1	BRUSH, Union Mix 20"
	387 508	1	BASE WELDMENT, 20" 115V				
	387 509	1	BASE WELDMENT, 20" 230V				
9	157 244	2	PLUG BUTTON, .656				
10		4	SCREW, Ph. Pan Hd. #10-24 x 5/8 HP-5				
11		10	WHIZ NUT, #10-24				
12	397 228	2	WHEEL, 5.00				
13	387 080	1	BUMPER, 17"				
	387 514	1	BUMPER, 20"				
14	387 082	1	STRAP, Bumper 17"				
	387 516	1	STRAP, Bumper 20"				
15		7	SCREW, Ph. Pan Hd. #10-24 x 3/8 HP-5				
16	387 798	1	SQUEEGEE ASSEMBLY, 17"				
	387 804	1	SQUEEGEE ASSEMBLY, 20"				
17	023 216	3	DECAL, Stripe				
18	387 710	1	TANK ASSEMBLY, Recovery				
19		9	SCREW, Ph. Pan Hd. #8-32 x 1/2 HP-5				
20	387 190	9	SNAP-CAP				
21	018 326	1	DECAL				
22	016 334	1	DECAL, Solution Valve				
23	018 310	1	DECAL, On-Off				
24	018 300	2	DECAL, Mobilmatic				

1

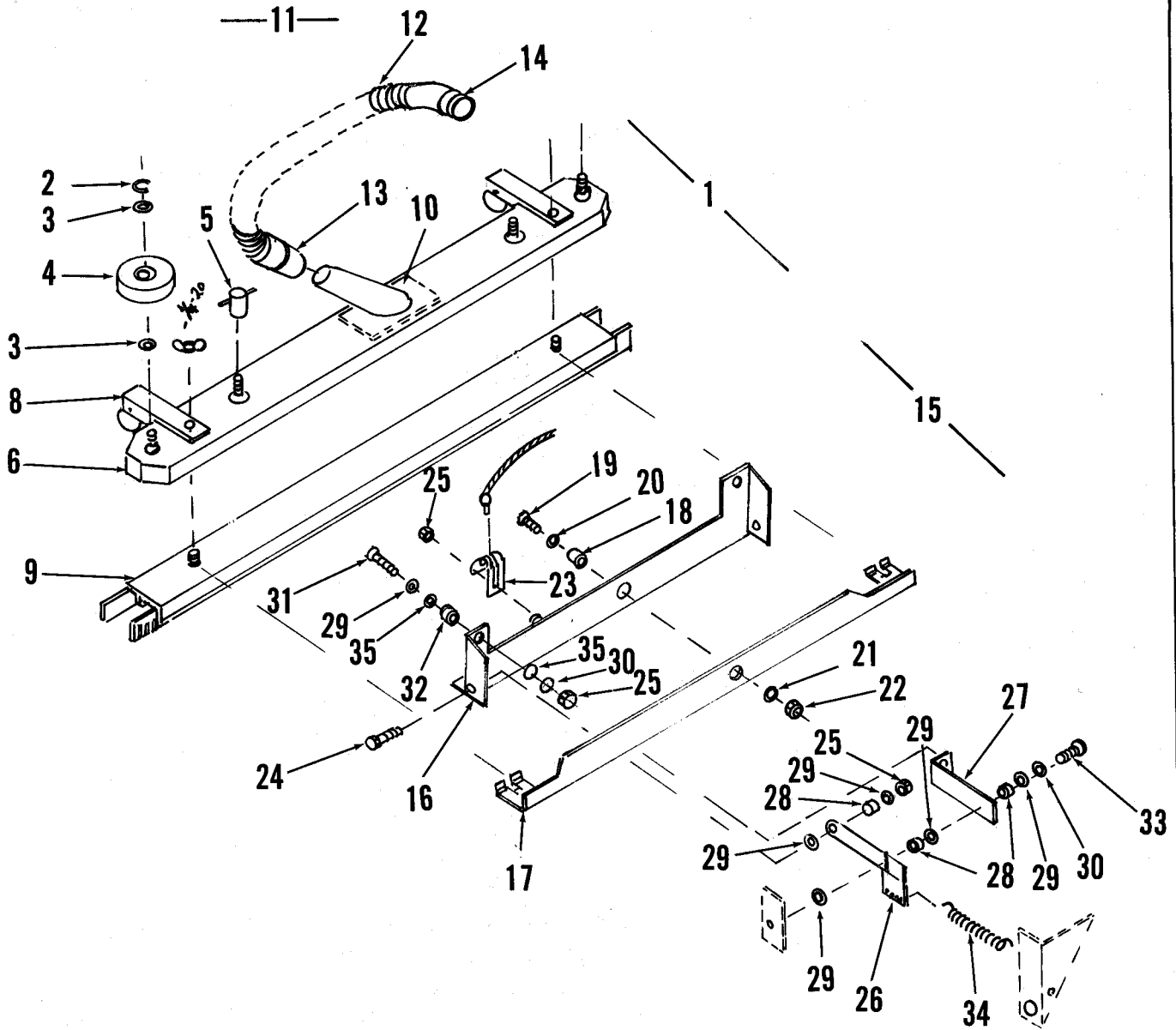


HANDLE ASSEMBLY

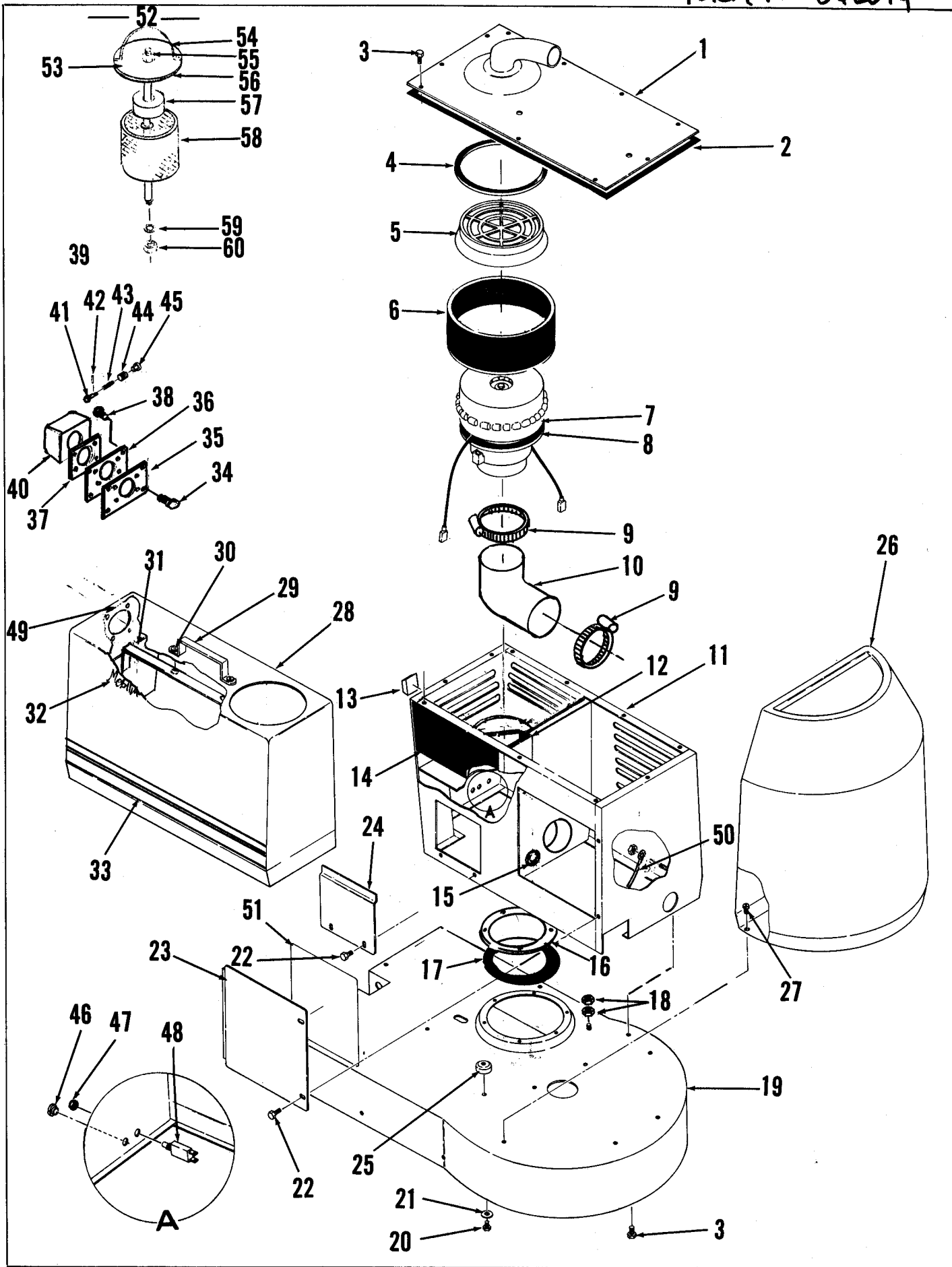
ITEM	PART NO.	QTY	DESCRIPTION
1	387 610	1	HANDLE ASSEMBLY, 115V
	387 611	1	HANDLE ASSEMBLY, 230V
2	018 314	1	DECAL, Warning
3	387 196	1	SHROUD, Bottom
4		1	SCREW, Hex Hd. 1/4-20 x 1/2
5		13	WASHER, Shakeproof 1/4
6	385 747	1	NUTPLATE
7	514 085	2	GRIPS, Handle
8	388 019	1	SWITCH, Snap SPST N.C.
9		2	WASHER, Shakeproof #6
10		2	SCREW, Pan Hd. #6-32 x 3/4
11	387 236	1	TUBE, Handle
12		1	SCREW, Pan Hd. #8-32 x 7/8 HP-5
13	387 052	1	LEVER, Handle Positioner
14	151 092	2	BUSHING, .18 x .25 x .150
15	150 150	2	WASHER, Spring
16		8	SCREW, Hex Washer Hd. #10-24 x 3/8 HP-5
17	387 612	1	HANDLE WELDMENT
18		4	WASHER, Shakeproof #10
19	172 213	2	HOOK, Cord
20	387 658	1	BOX
21	387 378	1	CABLE ASSEMBLY, Squeegee
22	387 656	1	CABLE ASSEMBLY, Sol. Valve
23	171 095	2	BEARING, Flange
24	171 097	2	SHOULDER BOLT, 5/8 x .718
25		2	SCREW, Hex Hd. 5/16-28 x 5/8
26		2	WASHER, Shakeproof 5/16
27		4	WASHER, Flat 5/16
28	387 382	1	BRACKET
29		1	DRIVE SCREW
30	171 269	1	BUSHING
31	384 909	1	WIRE ROPE ASSEMBLY, 35"
32	171 123	1	SPRING, Comm 3/4 x 11/16
33	171 132	1	PLUNGER
34		6	SCREW, Hex Hd. 1/4-20 x 7/8
35	387 358	1	BAR
36	171 104	1	RATCHET
37	234 079	1	SCREW
38	445 177	1	SPRING, Ext. 1/4 x 1-3/4
39		4	NUT, Hex #8-32
40		2	SCREW, Ph. Pan Hd. 1/4-20 x 5/8
41		4	WASHER, Flat 1/4
42	306 784	2	BUSHING, .25 x .37 x .25
43	387 650	1	PIVOT
44		1	PIN, Spring 1/8 x 3/4
45	387 626	1	LEVER ASSEMBLY, Squeegee
46		1	WASHER, Flat 3/8
47	387 638	1	LEVER ASSEMBLY, So. Control
48	331 076	1	COLLAR
49		1	SCREW, Socket Set #10-24 x 3/16
50		1	NUT, Hex 1/4-20
51	207 075	1	SWITCH, Toggle DPST 115V
	301 636	1	SWITCH, Toggle DPST 230V
52	325 140	1	SWITCH, Rocker SPST
53	018 324	1	DECAL, On-Off
54	382 662	1	SHROUD ASSEMBLY, Top
55		9	SCREW, Ph. Pan Hd. #8-32 x 1/2 HP-5
56	387 190	9	SNAP CAPS
57	387 668	1	STUD
58	200 190	1	WASHER, Fibre
59	387 670	1	KNOB
60		2	FACENUT, Hex 15/32-32
61	018 310	1	DECAL, On-Off
62	387 660	1	BOX
63	382 818	1	STRAIN RELIEF
64	387 654	1	CORD ASSEMBLY, 14/4 x 44-3/4
65	387 146	1	SPACER, Hex 3/8
66	330 871	1	CORD SET, 14 x 75' 115V
	311 229	2	TERMINAL RING, 115V
	382 331	1	CORD SET, 14 x 75' 230V
67		2	SCREW, Ph. Pan Hd. #8-32 x 3/8 HP-5
68		4	WASHER, Shakeproof #8
69	300 542	1	CLAMP, Cord
70	014 119	1	DECAL, Gnd. Symbol
71	325 276	1	WASHER, /17 x .28 x .03
72	325 274	1	WASHER, Cupped
73	300 187	1	CLIP, Belt
74		1	SCREW, Pan Hd. #6-32 x 3/8
75	322 504	1	NUT, Spring #6-32
76		6	SCREW, Hex Hd. 1/4-20 x 7/8
77	387 672	1	SCREW, Nylon #8-32 x 3/8
78	387 620	1	SPACER WELDMENT



ITEM	PART NO.	QTY	DESCRIPTION
1	387 772	1	COVER ASSEMBLY ,c/o
2	387 774	1	COVER
3	387 776	1	SUPPORT, Cover
4	387 786	1	HINGE
5	387 778	1	TUBE WELDMENT
6	387 342	1	HOSE, Vac
7	329 145	1	CLAMP, Hose
8	387 784	1	GASKET
9	325 240	1	WIRE ROPE ASSEMBLY
10	449 340	6	WASHER,Finishing #10
11		4	NUT,Flanged Whiz 1/4-20
12		2	NUT,Flanged Whiz #10-24
13		1	SCREW,Hex Wash.Hd.#10-24 x 3/8
14		2	SCREW,Ph.Oval Hd. #10-24 x 1/2
15		4	SCREW,Ph.Oval Hd. #10-24 x 3/8
16	016 398	1	EMBLEM, Advance
17	018 312	1	DECAL, Insert 'Mobilmatic'

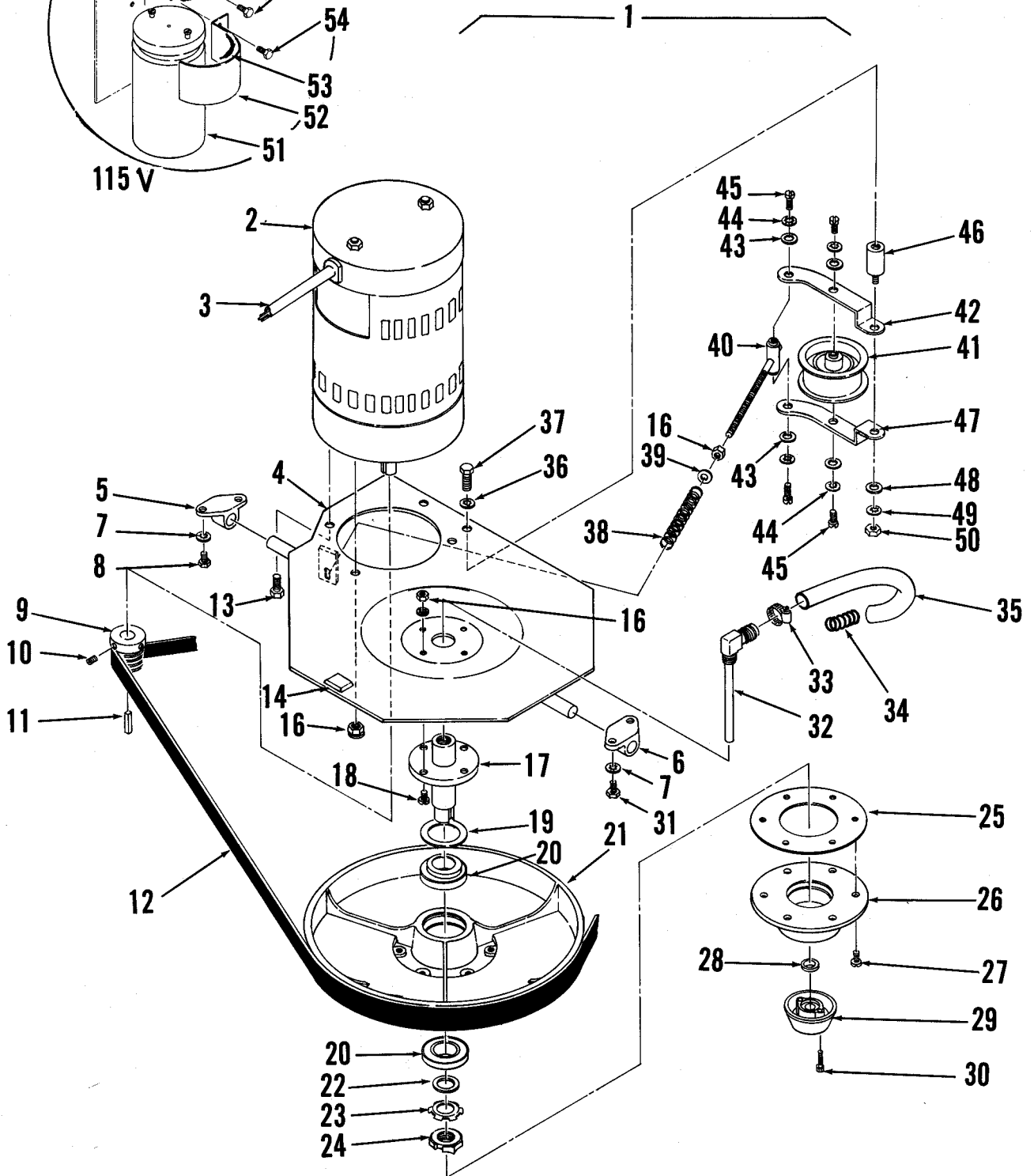
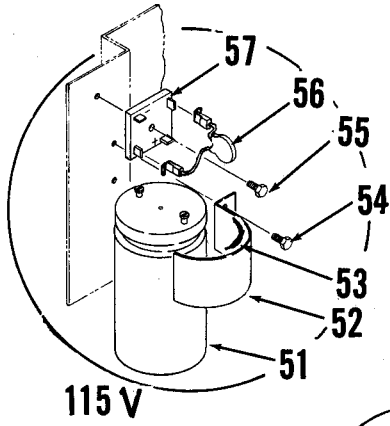


ITEM	PART NO.	QTY	DESCRIPTION	ITEM	PART NO.	QTY	DESCRIPTION
1	387 798	1	SQUEEGEE ASSEMBLY , 17" C/O	23	387 380	1	HALF-CLEVIS
2	157 066	2	SQUEEGEE ASSEMBLY , 20" C/O	24		5	SCREW,Hex Hd. 1/4-20 x 5/8
3	371 009	4	RING, Retaining	25		5	WHIZ NUT, 1/4-20
4	363 855	2	WASHER	26	381 840	2	ARM ASSEMBLY, Pivot
5	370 711	2	WHEEL, 2.50 x.812	27	381 845	2	ARM, Adjusting
6	387 800	1	WING NUT ,5/16-18	28	368 997	6	BUSHING
7	387 806	1	CHANNEL WELDMENT, 17"	29	150 142	14	WASHER
8	400 614	2	CHANNEL WELDMENT, 20"	30		3	WASHER,Shakeproof 1/4
9	387 376	2	GASKET	31		2	SCREW,Rd.Hd. 1/4-20 x 2-1/4
10	382 356	1	ROLLER ASSEMBLY	32	206 784	2	BUSHING
11	387 526	1	SQUEEGEE CARTRIDGE, 17" <i>T-3 590 G-8</i>	33		2	SCREW,Hex Hd. 1/4-20 x 1.00
12	400 613	1	SQUEEGEE CARTRIDGE, 20"	34	371 874	2	SPRING, Ext. .41 x 2.75
13	387 810	1	GASKET	35	163 880	4	WASHER, Spring 3/8
14	386 927	1	HOSE ASSEMBLY, 1.50 C/O				
15	207 306	1	HOSE, 1.50 x 13				
16	370 592	1	CUFF, Hose				
17	381 820	1	ADAPTER, Hose				
18	381 814	1	MOUNT, Sub-Assembly C/O				
19	381 816	1	MOUNT, Squeegee				
20	381 818	1	BRACKET				
21		1	BUSHING				
22		1	BOLT, Hex 5/16-18 x 3/4				
		1	WASHER,Flat 5/16				
		1	LOCKWASHER, 5/16				
		1	NUT,Hex 5/16-18				



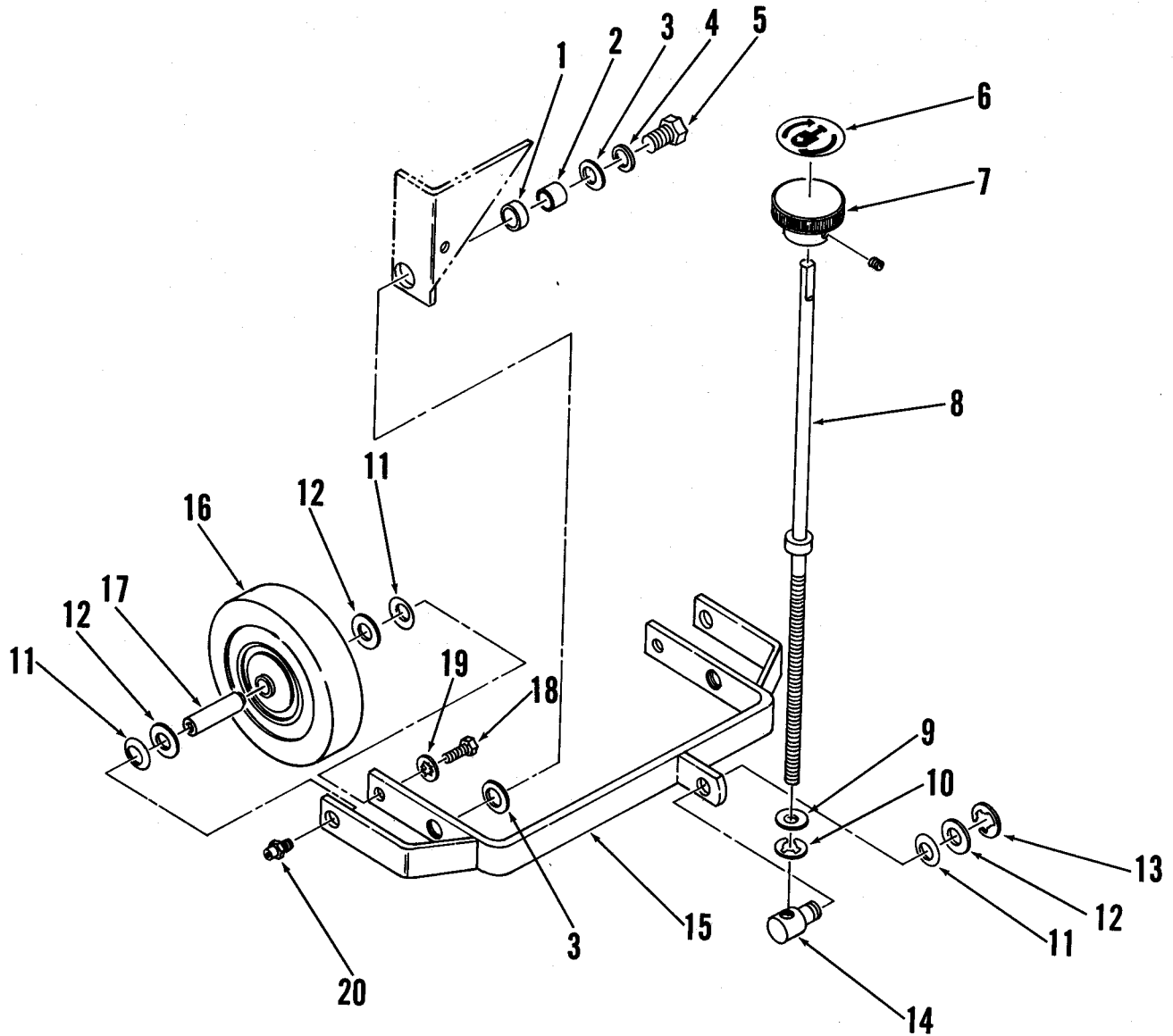
HOUSING ASSEMBLY

ITEM	PART NO.	QTY	DESCRIPTION
1	387 160	1	COVER
2	200 754	1	GASKET,62"
3		18	SCREW,Hex Washer Hd. #10-24 x 3/8 HP-5
4	385 437	1	GASKET
5	384 898	1	FILTER,Vac Motor
6	387 422	1	FILTER,Foam
7	207 195	1	MOTOR,Vac 115V
	202 290	1	MOTOR,Vac 230V
8	387 420	1	GASKET
9	352 829	2	CLAMP, Hose
10	387 392	1	HOSE, Flex
11	387 792	1	FRAME WELDMENT
12	397 212	1	FOAM ACCOUSTICAL
13	402 940	1	BUMPER
14	387 212	1	FOAM ACCOUSTICAL
15	157 376	1	GROMMET
16	387 548	1	RING, 20" 115V Only
17	387 550	1	GASKET, 20" 115V Only
18		5	NUT,Hex #10
19	387 022	1	BASE WELDMENT 17"
	387 508	1	BASE WELDMENT 20" 115V
	387 509	1	BASE WELDMENT 20" 230V
20		2	SCREW,Ph.Pan Hd.#10-24 x 5/8, HP-5
21	203 874	2	WASHER
22		4	SCREW,Ph.Truss Hd. #10-24 x 3/8
23	387 114	1	COVER, Access
24	387 394	1	COVER, Access
25	387 250	2	STUD
26	387 790	1	TANK, Solution
27		4	SCREW,Rd.Hd.Brass 1/4-20 x 1/2
28	387 710	1	TANK ASSEMBLY, Recovery
29	360 791	1	HANDLE, Tank
30		2	SCREW,Rd.Hd.Brass 1/4-20 x 1/2
31	387 714	1	DEFLECTOR
32	018 300	1	DECAL,Mobilmatic
33	023 216	1	DECAL, Stripe
34		4	SCREW,Ph.Flat Hd.#10-24 x 1/2 Type F
35	387 722	1	GASKET
36	387 720	1	PLATE
37	201 390	1	GASKET
38		4	SCREW,Ph.Pan Hd #10-24 x 3/8
39	201 386	1	CONNECTOR ASSEMBLY,C/O
40	201 377	1	CONNECTOR
41	201 391	1	PIN
42	201 472	1	PIN
43	201 448	1	SPRING
44	201 383	1	SOCKET
45	201 405	1	KNOB
46	382 818	1	STRAIN RELIEF
47	171 541	1	NUT,Hex 3/8 x 17
48	387 316	1	CIRCUIT BREAKER,17" 115V
	171 550	1	CIRCUIT BREAKER,20" 115V
	387 328	1	CIRCUIT BREAKER, 230V
49	018 332	1	DECAL, Pour
50	387 392	1	WIRE ASSEMBLY (Except 20" 115V)
51	018 328	1	DECAL, Wiring 17" 115V
	018 330	1	DECAL, Wiring 20" 115V
	018 334	1	DECAL, Wiring 17" & 20" 230V
52	387 730	1	FLOAT ASSEMBLY, 115V C/O
	387 750	1	FLOAT ASSEMBLY, 230V C/O
53	387 740	1	PLATE, 115V
	387 752	1	PLATE, 230V
54	387 738	1	HANDLE
55	387 744	1	ROD
56	387 268	1	GASKET
57	387 398	1	FLOAT,Foam
58	387 732	1	SHIELD
59		2	WASHER,Flat Brass 5/16
60		1	NUT,Hex Brass 5/16-18

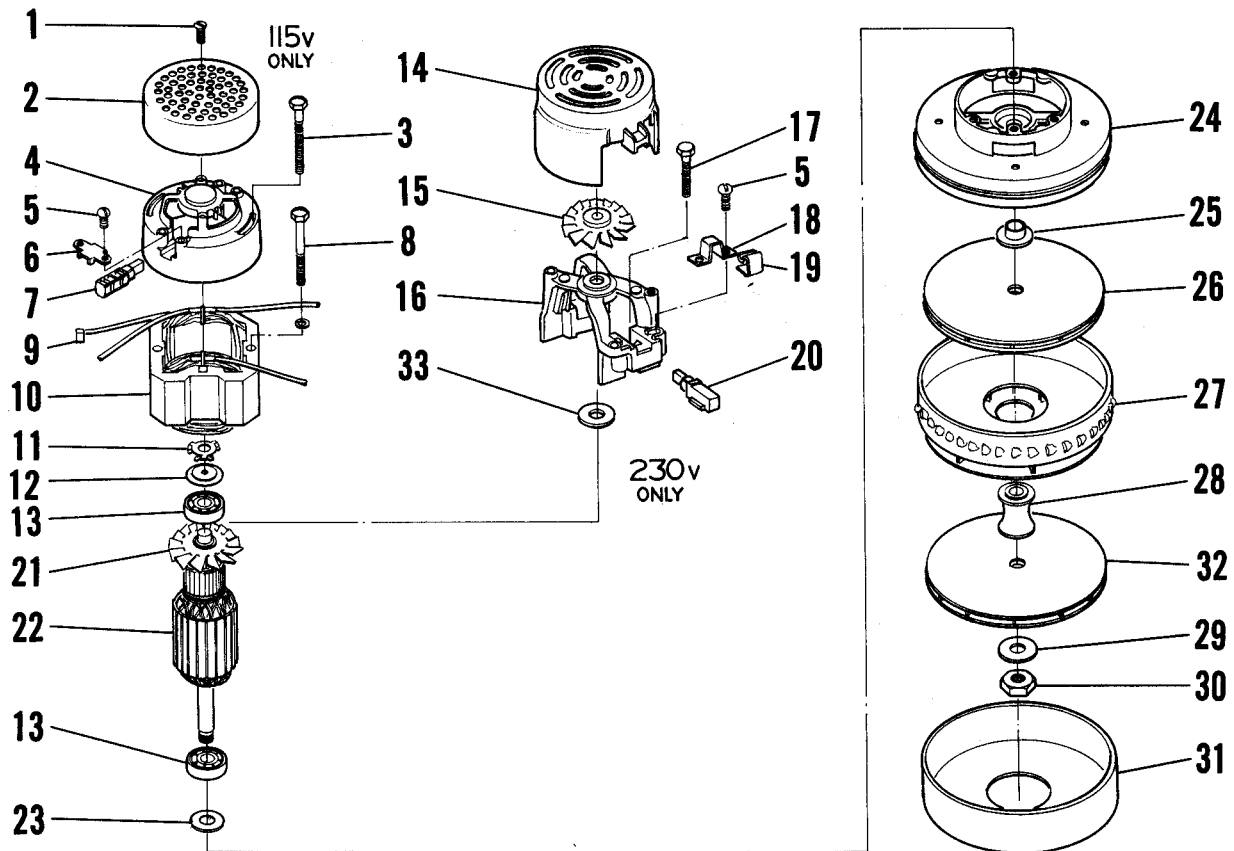


DRIVE ASSEMBLY

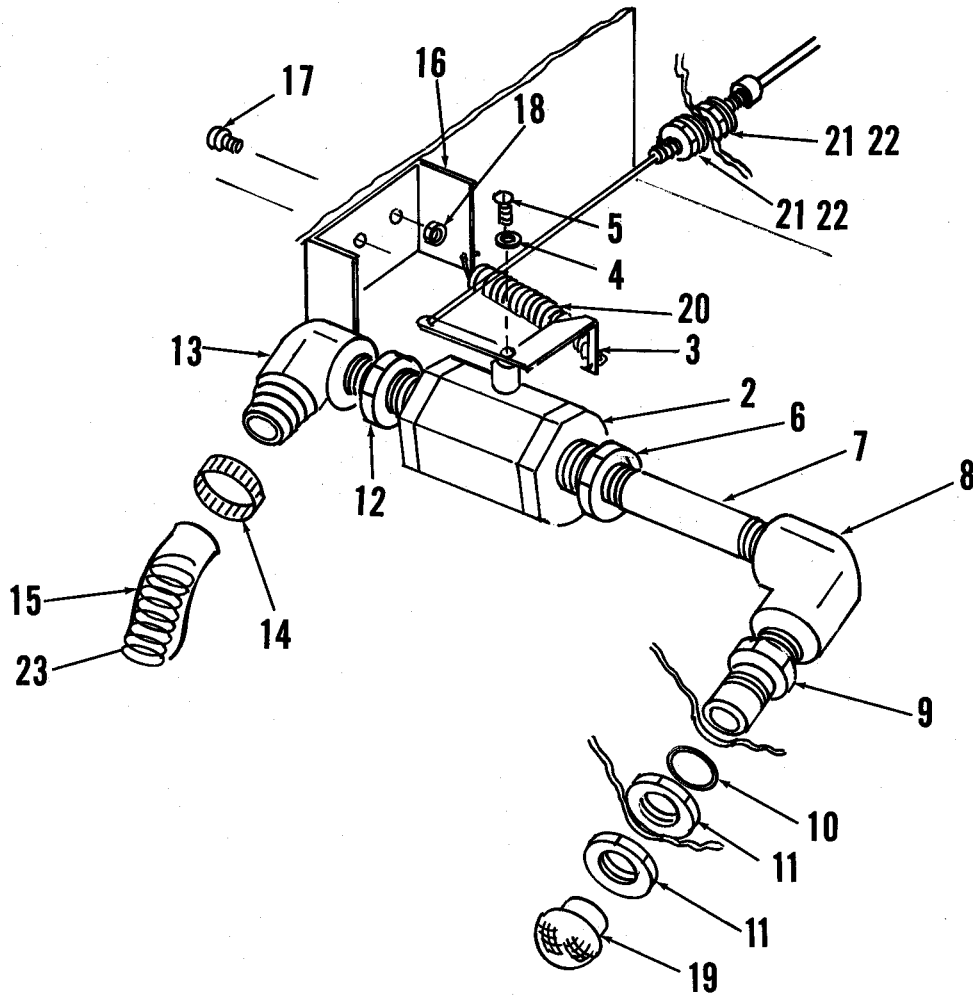
ITEM	PART NO.	QTY	DESCRIPTION
1	387 272	1	DRIVE ASSEMBLY, 17" 115V
	387 273	1	DRIVE ASSEMBLY, 17" & 20" 230V
	387 518	1	DRIVE ASSEMBLY, 20" 115V
2	387 014	1	MOTOR, 3/4 H.P. 17" 115V CAPACITOR #/N 755056
	387 016	1	MOTOR, 3/4 H.P. 17" & 20" 230V CAPACITOR #/N 387042
	382 129	1	MOTOR, 3/4 H.P. 20" 115V
3	387 812	1	CORD ASSEMBLY, (Except 20" 115V)
	387 814	1	CORD ASSEMBLY, 20" 115V
4	387 090	1	PLATE WELDMENT, (Except 20" 115V)
	387 520	1	PLATE WELDMENT, 20" 115V
5	387 304	1	BLOCK, Axle Right
6	387 306	1	BLOCK, Axle Left
7		4	WASHER, Shakeproof 1/4"
8		2	SCREW, Hex Hd. 1/4-20 x 5/8
9	387 542	1	SHEAVE, Poly-V 20" 115V
	171 088	1	SHEAVE, Poly-V 17" 115V
	171 414	1	SHEAVE, Poly-V 17" & 20" 230V
10		2	SCREW, Socket Set 1/4-20 x 1/4
11	443 719	1	KEY, Square
12	171 200	1	BELT, Poly-V
13	387 120	4	CAPSCREW, But. Hd. 3/8 x 3/4
14		4	WASHER, Shakeproof 5/16
15	402 940	1	BUMPER
16		5	NUT, Hex 5/16
17	387 170	1	STUD WELDMENT
18		4	SCREW, Flat Hd. 5/16x 3/4
19	171 078	1	SEAL, Shaft
20	378 267	2	BEARING, TRCN 1.00" BEARING RACE #/N 378254
21	171 376	1	PULLEY ASSEMBLY, Flat
22		1	WASHER, Flat 3/4"
23	387 176	1	LOCKWASHER
24	387 174	1	LOCKNUT
25	158 275	1	GASKET
26	387 112	1	DRIVE CAP
27		6	SCREW, Flat Hd. #12-24 x .62
28	387 018	1	SEAL, Radial Lip
29	387 116	1	PILOT
30		2	SCREW, Socket Set #10 x 1.00"
31		2	SCREW, Hex Hd. 1/4-20 x 1/2
32	387 066	1	TUBE WELDMENT
33	219 932	1	CLAMP, Hose
34	387 296	1	SPRING, Com. .48 x 7"
35	387 302	1	HOSE
36		1	WASHER, Shakeproof 3/8
37		1	SCREW, Hex Hd. 3/8 x 3/4
38	171 271	1	SPRING
39		1	WASHER, Flat 5/16
40	386 273	1	LINKAGE
41	171 178	1	IDLER ASSEMBLY, 230V
	387 566	1	IDLER ASSEMBLY, 115V
42	386 282	1	BRACKET, 115V
	387 574	1	BRACKET, 230V
43		4	WASHER, Flat 1/4
44		4	WASHER, Shakeproof #10
45		4	SCREW, Pan Hd. #10 x 5/16
46	387 178	1	SPACER, Stud
47	386 284	1	BRACKET, 115V
	387 572	1	BRACKET, 230V
48		1	WASHER, Flat 1/4"
49		1	WASHER, Shakeproof 1/4"
50		1	NUT, Hex 1/4-20
51	171 552	1	CAPACITOR, 20" 115V Only
52	385 960	1	CLAMP, 20" 115V Only.
53	530 703	1	TAPE, 5" 115V Only.
54		2	SCREW, Hex Hd. #10-24 x 3/8 20" 115V Only.
55		1	SCREW, Pan Hd. #10-24 x 5/8 20" 115V Only
56	387 554	1	VARISTOR ASSEMBLY, 20" 115V Only
57	180 162	1	RECTIFIER, 20" 115V Only



ITEM	PART NO.	QTY	DESCRIPTION
1	478 781	2	SLEEVE, Bearing
2	360 627	2	BUSHING
3	367 214	4	WASHER, .515 x .93 x .07
4		4	WASHER, Lock 1/2
5		2	SCREW, Hex Hd. 1/2-13 x 1.00
6	018 306	1	DECAL
7	475 480	1	KNOB, Adjustment
8	387 218	1	ROD, Adjustment
9		1	WASHER, Flat 3/8
10	321 427	1	RING, Retaining 3/8 Ext.
11	155 373	5	WASHER, Spring .515
12		3	WASHER, Flat 1/2
13	468 834	1	RING, Retaining 1/2
14	387 138	1	PIN
15	387 050	1	BRACKET, Wheel Adjustment
16	387 228	2	WHEEL, 5.00 x 1.25
17	387 046	2	AXLE
18		2	SCREW, Hex Hd. 1/4-20 x 3/4
19		2	WASHER, Shakeproof 5/16
20	101 737	2	FITTING, Lube 1/4-28

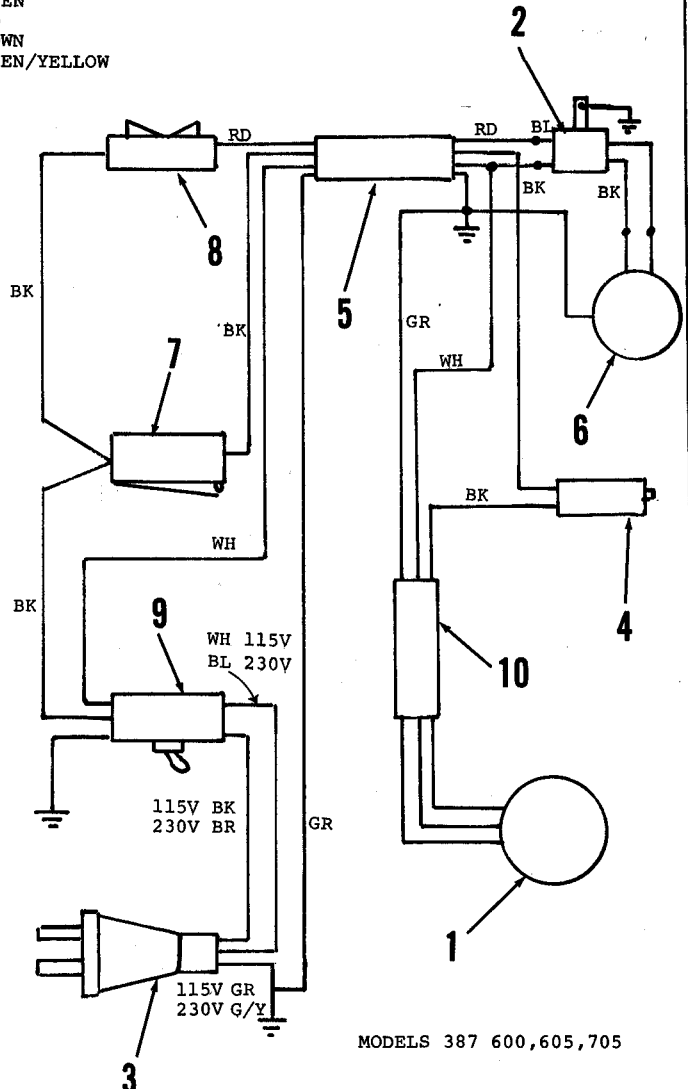
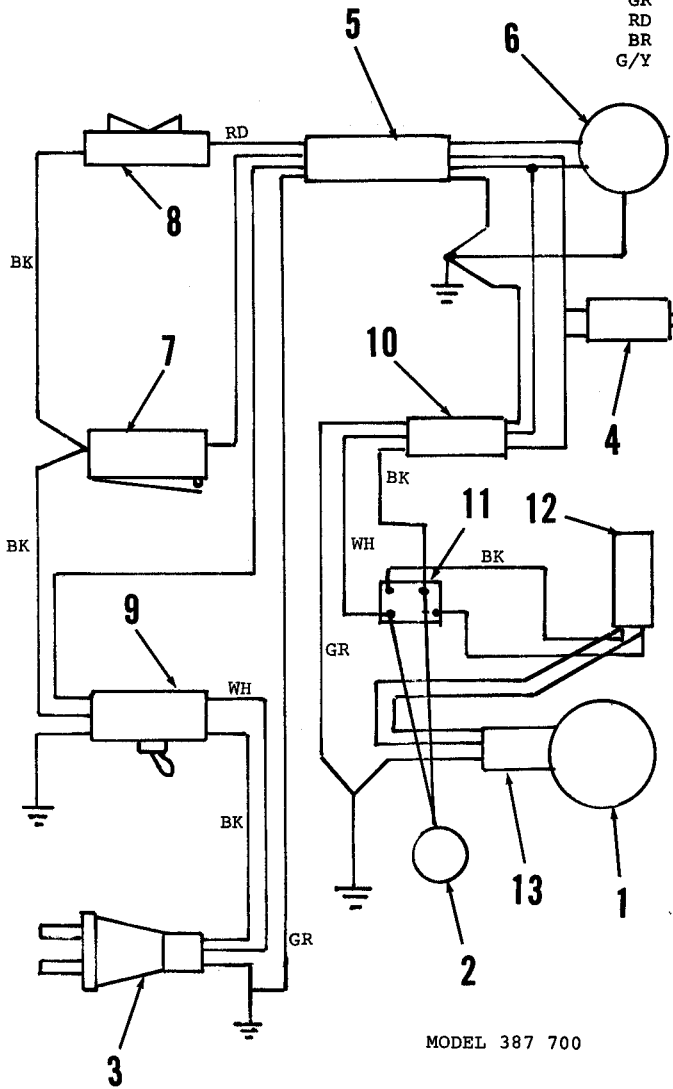


ITEM	PART NO	QTY	DESCRIPTION	ITEM	PART NO	QTY	DESCRIPTION
1	203 598	2	SCREW (115V ONLY)	27	203 394	1	FAN, STATIONARY
2	208 108	1	SHELL (115V ONLY)	28	203 516	1	SPACER
3	203 601	2	SCREW (115V ONLY)	29	203 432	1	WASHER (230V)
4	208 140	1	BRACKET, COMMUTATOR END (115V ONLY)		203 416	1	WASHER (115V)
5	203 263	4	SCREW (115V ONLY)	30	203 440	1	NUT
6	208 132	2	CLAMP (115V ONLY)	31	202 326	1	FAN, SHELL (230V)
7	203 518	2	BRUSH MECHANISM (230V ONLY)		203 408	1	FAN, SHELL (115V)
	207 225	2	BRUSH MECHANISM (115V ONLY)	32	202 328	1	FAN, ROTATING (230V ONLY)
8	203 558	2	SCREW (115V ONLY)	33	228 388	1	WASHER, FIBRE (230V ONLY)
9	203 584	1	CLIP, FIELD (115V ONLY)				
10		1	FIELD, (230V ONLY)				
		1	FIELD, (115V ONLY)				
11	202 843	1	SPRING, LOAD (115V ONLY)				
12	203 513	1	DISC (115V ONLY)				
13	228 051	2	BEARING (1 ONLY ON 230V MODEL)				
14	202 300	1	SHELL (230V ONLY)				
15	203 591	1	FAN, COOLING (230V ONLY)				
16		1	BRACKET, COMMUTATOR END (230V ONLY)				
17	203 494	2	SCREW (230V ONLY)				
18	207 285	2	CLAMP (230V ONLY)				
19	202 302	2	CLIP (230V ONLY)				
20	203 518	2	BRUSH MECHANISM (230V ONLY)				
21	203 589	1	FAN, COOLING (115V ONLY)				
22		1	ARMATURE (230V ONLY)				
		1	ARMATURE (115V ONLY)				
23	202 330	1	WASHER, FELT (230V ONLY)				
	203 459	1	WASHER, FELT (115V ONLY)				
24	202 332	1	FAN END BRACKET (230V ONLY)				
	208 183	1	BRACKET & BEARING CLAMP (115V ONLY)				
25	203 424	1	SPACER				
26	208 191	2	FAN, ROTATING (1 ONLY ON 230V)				



ITEM	PART NO.	QTY	DESCRIPTION
1	387 760	1	VALVE ASSEMBLY
2	387 762	1	VALVE
3	387 764	1	LEVER WELDMENT
4		1	WASHER, Shakeproof #10
5		1	SCREW, Pan Hd. #10-24 x 5/8
6	746 898	1	BUSHING, 3/4 x 1/4
7	369 624	1	NIPPLE, 1/4 x 2
8	340 782	1	ELBOW, 1/4 x 90
9	172 075	1	NIPPLE, 1/4 NPT x 5/8 -18
10	742 552	1	O-RING
11	745 860	1	JAM NUT, Brass 5/8-18
12	751 686	1	BUSHING, 3/4 x 3/8
13	387 062	1	ADAPTER, Hose
14	219 932	1	CLAMP, Hose SAE #6
15	387 302	1	TUBE, PVC 1/2 x 11.00
16	387 808	1	BRACKET
17		2	SCREW, Ph. Truss Hd. #10-24 x 5/8
18		2	WHIZ NUT, #10-24
19	172 096	1	STRAINER
20	245 008	1	SPRING, Ext
21		4	WASHER, Flat 5/16
22		2	WHIZ NUT, 5/16-18
23	387 296	1	SPRING, Com. .48 x 7.00

COLOR CODE
 WH WHITE
 BK BLACK
 GR GREEN
 RD RED
 BR BROWN
 G/Y GREEN/YELLOW



ITEM	PART NO.	QTY	DESCRIPTION	ITEM	PART NO.	QTY	DESCRIPTION
1	207 195	1	DRIVE MOTOR, 115VDC 20"	1	387 014	1	DRIVE MOTOR, 115VAC 17"
2	387 554	1	VARISTOR ASSEMBLY	2	387 016	1	DRIVE MOTOR, 230VAC
3	330 871	1	CORD SET, 115V	3	387 426	1	FILTER ASSEMBLY, 230V
4	171 550	1	CIRCUIT BREAKER, 9A 115VDC	3	330 871	1	CORD SET, 115VAC
5	387 654	1	CORD ASSEMBLY	4	382 331	1	CORD SET, 230VAC
6	207 195	1	VAC MOTOR	4	387 316	1	CIRCUIT BREAKER, 115VAC
7	388 019	1	SWITCH, Snap SPST Brush	5	387 328	1	CIRCUIT BREAKER, 230VAC
8	325 140	1	SWITCH, Rocker Vac Motor	5	387 654	1	CORD ASSEMBLY
9	207 075	1	SWITCH, Toggle DPST, On/Off	6	207 195	1	VAC MOTOR 115VAC
10	387 812	1	CORD ASSEMBLY	6	202 290	1	VAC MOTOR 230V.
11	180 162	1	RECTIFIER	7	388 019	1	SWITCH, Snap SPST, Brush
12	171 552	1	CAPACITOR, 1200MFD.	8	325 140	1	SWITCH, Rocker Vac Motor
13	387 814	1	CORD ASSEMBLY	9	207 075	1	SWITCH, Toggle 115V On/Off
				10	301 636	1	SWITCH, Toggle 230V On/Off
					387 812	1	CORD ASSEMBLY