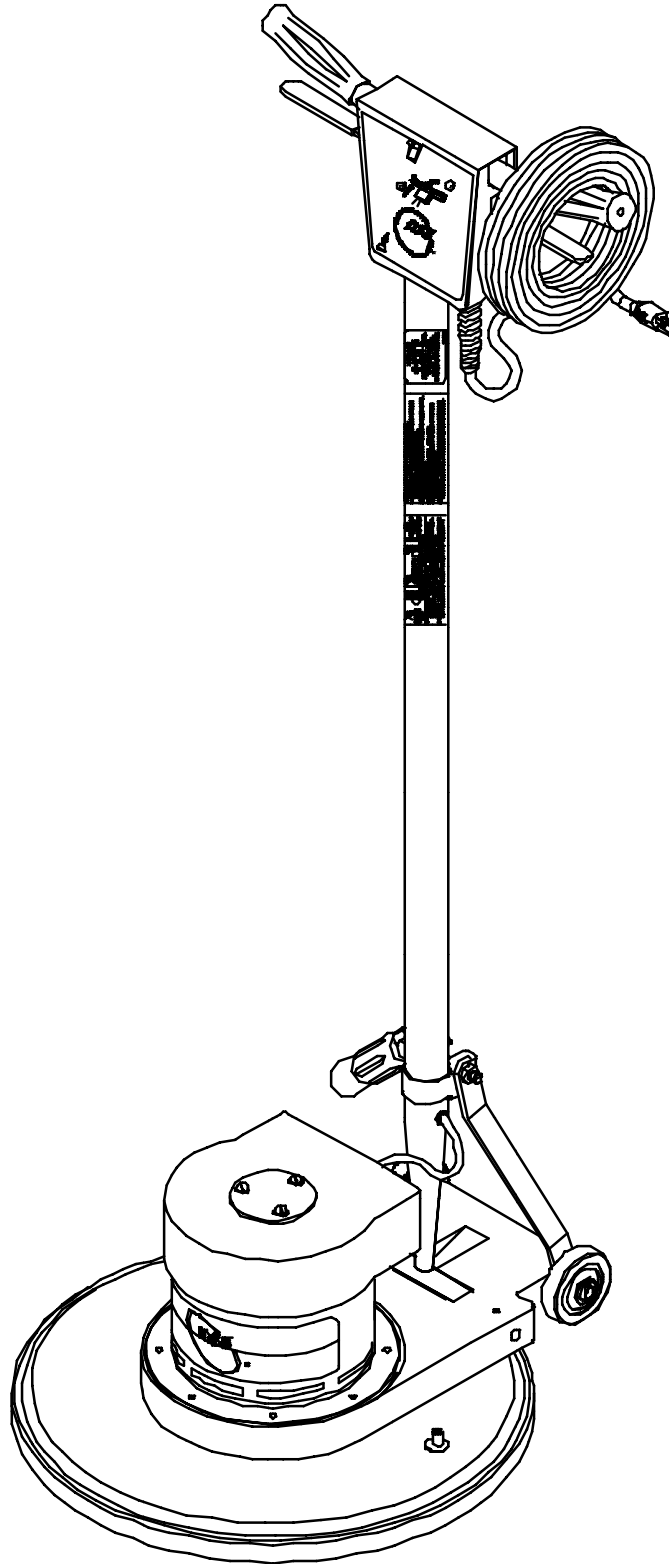
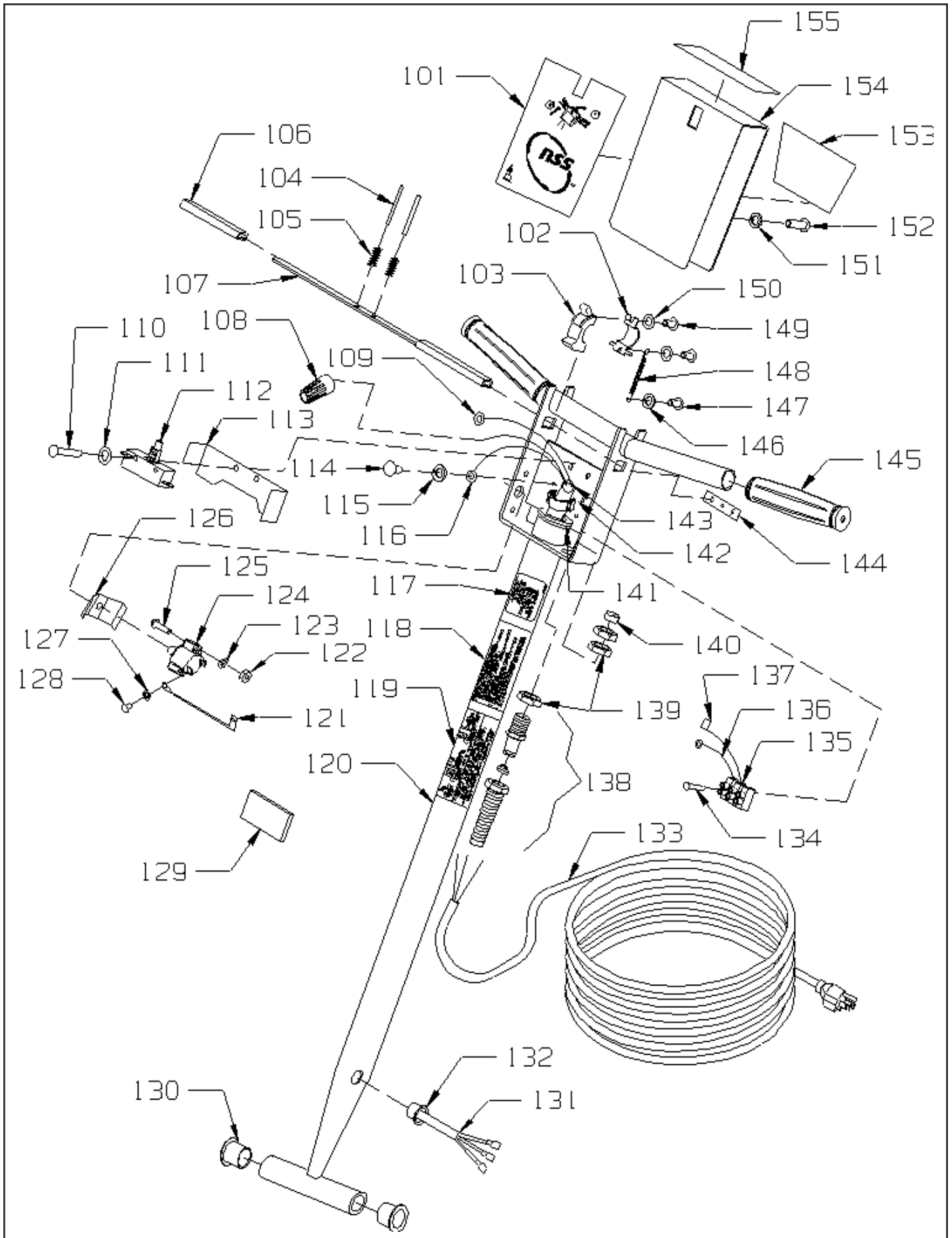


PARTS LIST
**MUSTANG 300 DS
FLOOR MACHINE**



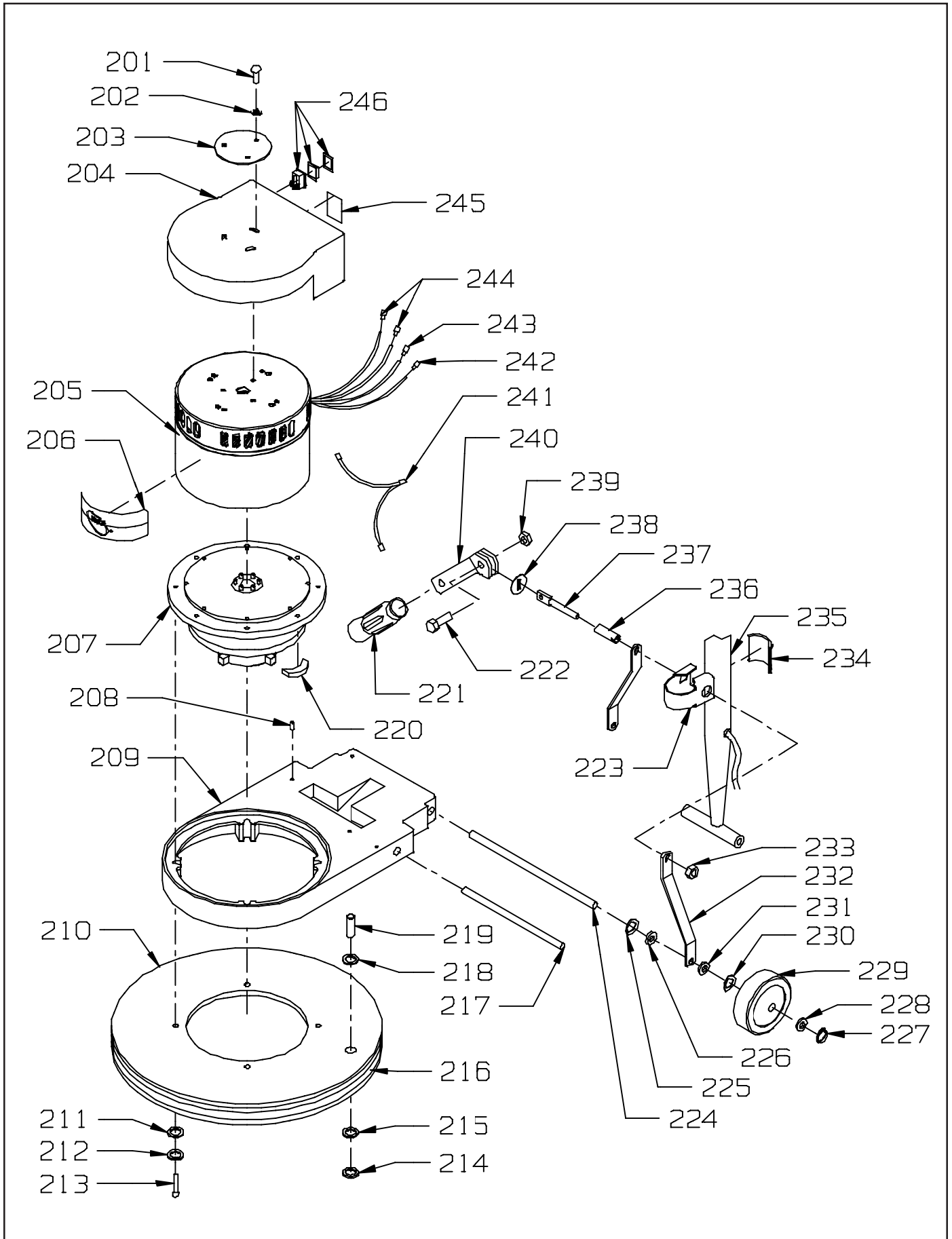
| <u>ITEM</u> | <u>PART NO.</u> | <u>PART DESCRIPTION</u> | <u>QTY.</u> |
|-------------|-----------------|--|-------------|
| | 5492549 | HANDLE ASSEMBLY - 120 VOLT - MUSTANG 300 DS | 1 |
| | 5492619 | HANDLE ASSEMBLY - 240 VOLT - MUSTANG 300 DS | 1 |
| 101 | 5392421 | DECAL - "SWITCH BOX WITH CIRCUIT BREAKER ICON | 1 |
| 102 | 0393511 | LOCKOUT BRACKET | 1 |
| 103 | 0393521 | LOCK OUT | 1 |
| 104 | 9120828 | 1/8 X 1 3/4 ROLL PIN | 2 |
| 105 | 5390171 | SWITCH LEVER SPRING | 2 |
| 106 | 0393411 | GRIP - SWITCH LEVER | 2 |
| 107 | 0393401 | SWITCH LEVER | 1 |
| 108 | 5391321 | WIRE NUT - ORANGE - 120 VOLT ONLY | 1 |
| 109 | 0294031 | # 8 RING TERMINAL | 1 |
| 110 | 9120100 | 6-32 X 1 ROUND HEAD PHILLIPS MACHINE SCREW | 2 |
| 111 | 9120130 | 6 EXTERNAL STAR LOCK WASHER | 2 |
| 112 | 5390211 | SWITCH | 1 |
| 113 | 5390361 | SWITCH INSULATOR | 1 |
| 114 | 9120380 | 10-24 X 3/8 ROUND HEAD PHILLIPS MACHINE SCREW | 1 |
| 115 | 9120320 | 10 SPLIT LOCK WASHER | 1 |
| 116 | 0298981 | # 10 RING TERMINAL 14-16 GAGE | 1 |
| 117 | 5392401 | DECAL - "WARNING - FIRE" | 1 |
| 118 | 0190901 | DECAL - "WARNING" - 120 VOLT ONLY | 1 |
| | 0190921 | DECAL - "ICON ADAPTOR" - 240 VOLT ONLY | 1 |
| 119 | 0190911 | DECAL - "GROUNDING" - 120 VOLT ONLY | 1 |
| 120 | 5391891 | HANDLE | 1 |
| 121 | 5490451 | CIRCUIT BREAKER LEAD - 4" | 1 |
| 122 | 9120360 | 10-24 HEX NUT WITH STAR LOCK WASHER | 2 |
| 123 | 9120320 | 10 SPLIT LOCK WASHER | 2 |
| 124 | 5490401 | 20 AMP CIRCUIT BREAKER - 120 VOLT ONLY | 1 |
| | 5294581 | 8 AMP CIRCUIT BREAKER - 240 VOLT ONLY | 1 |
| 125 | 9120430 | 10-24 X 3/4 ROUND HEAD PHILLIPS MACHINE SCREW | 2 |
| 126 | 5490441 | INSULATION - BREAKER LEAD | 1 |
| 127 | 9120200 | 8 SPLIT LOCK WASHER | 1 |
| 128 | 9120223 | 8-32 X 1/4 PAN HEAD PHILLIPS MACHINE SCREW | 1 |
| 129 | 5390511 | FOAM PAD | 1 |
| 130 | 5090441 | NYLON BUSHING | 2 |
| 131 | 5492621 | HANDLE CORD | 1 |
| 132 | 5293131 | GROMMET | 1 |
| 133 | 5091561 | CORD 50 FEET 14-3 - 120 VOLT ONLY | 1 |
| | 0299671 | SHUKO CORD - 75 FEET - 16-3 - 240 VOLT ONLY | 1 |
| 134 | 9120080 | 6-32 X 3/4 ROUND HEAD PHILLIPS MACHINE SCREW - 240 VOLT ONLY | 1 |
| 135 | 5391931 | TERMINAL BLOCK - 240 VOLT ONLY | 1 |
| 136 | 5391921 | WIRE - GROUND - 240 VOLT ONLY | 1 |
| 137 | 5391911 | WIRE - DEAD MAN - 240 VOLT ONLY | 1 |
| 138 | 5091671 | STRAIN RELIEF - 120 VOLT ONLY | 1 |
| | 0299531 | STRAIN RELIEF - 240 VOLT ONLY | 1 |
| 139 | 5390261 | STRAIN RELIEF NUT - 120 VOLT ONLY | 3 |
| | 0891131 | STRAIN RELIEF NUT - 240 VOLT ONLY | 1 |
| 140 | 5092371 | STRAIN RELIEF CORD CLAMP - 120 VOLT ONLY | 1 |
| | 0299661 | STRAIN RELIEF CORD CLAMP - 240 VOLT ONLY | 1 |
| 141 | 9123240 | 9/16 I.D. X 1 1/2 FLAT WASHER | 1 |
| 142 | 5095501 | CORD CLAMP | 1 |
| 143 | 8791070 | VINYL HOSE | 1 |
| 144 | 9120025 | 6-32 DOUBLE HOLE SWITCH SPEED NUT | 1 |
| 145 | 0393441 | HANDLE GRIP | 2 |
| 146 | 9120320 | 10 SPLIT LOCK WASHER | 1 |
| 147 | 9120380 | 10-24 X 3/8 ROUND HEAD PHILLIPS MACHINE SCREW | 1 |
| 148 | 0393381 | SPRING | 1 |
| 149 | 0393881 | M3 X .05 X 8mm PAN HEAD PHILLIPS THREAD CUTTING SCREW | 2 |
| 150 | 0393841 | M3 EXTERNAL STAR LOCK WASHER | 2 |
| 151 | 9120320 | 10 SPLIT LOCK WASHER | 1 |
| 152 | 9120430 | 10-24 X 3/4 ROUND HEAD PHILLIPS MACHINE SCREW | 1 |
| 153 | 5392471 | DECAL - "OPERATION" | 1 |
| 154 | 5391873 | SWITCH BOX COVER | 1 |
| 155 | 5991421 | IDENTIFIER DECAL - MUSTANG 300DS | 1 |

HANDLE ASSEMBLY

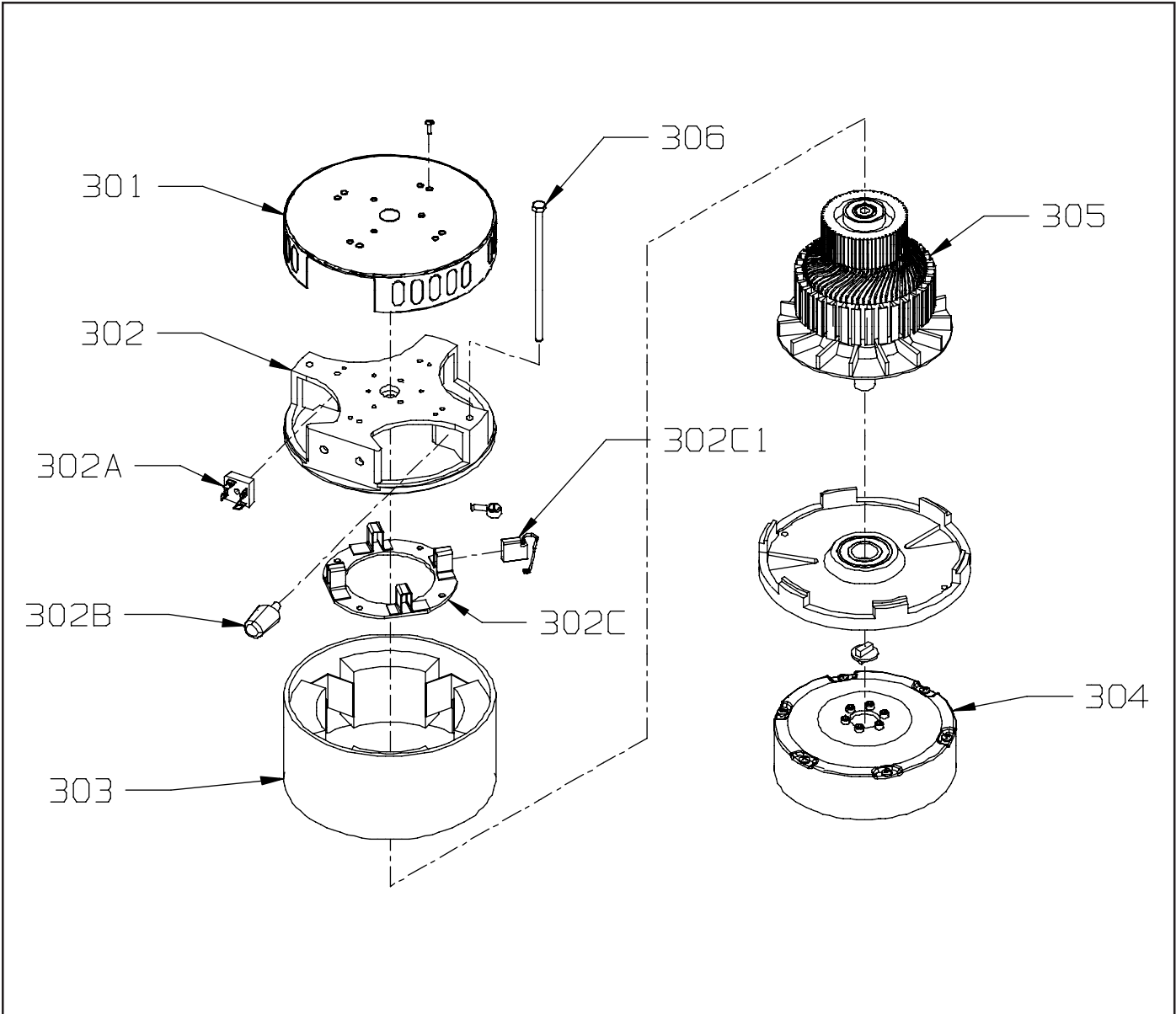


| <u>ITEM</u> | <u>PART NO.</u> | <u>PART DESCRIPTION</u> | <u>QTY.</u> |
|-------------|-----------------|--|-------------|
| 201 | 9120730 | 10-32 X 1/2 ROUND HEAD PHILLIPS MACHINE SCREW | 3 |
| 202 | 9120320 | 10 SPLIT WASHER | 3 |
| 203 | 5492523 | PLATE WASHER | 1 |
| 204 | 5492501 | MOTOR COVER | 1 |
| 205 | 5992011 | MOTOR AND GEAR 115V, MUSTANG 300 DS | 1 |
| | | MOTOR ONLY - 120 VOLT - 1 1/2 HP | 1 |
| 207 | 5992081 | GEARBOX W/ENDSHIELD & FLEX COUPLING | 1 |
| 205 | 5992021 | MOTOR AND GEAR 240V, MUSTANG 300 DS | 1 |
| | | MOTOR ONLY - 240 VOLT - 1 1/2 HP | 1 |
| 207 | 5992081 | GEARBOX W/ENDSHIELD & FLEX COUPLING | 1 |
| 206 | 0393531 | NSS LOGO DECAL | 1 |
| 208 | 9120850 | 1/4-20 X 5/16 SET SCREW - KNUURL POINT | 1 |
| 209 | 5390013 | BASE | 1 |
| 210 | 5390883 | SKIRT - 17" | 1 |
| | 5390873 | SKIRT - 20" | 1 |
| 211 | 9121390 | 11/32 I.D. X 11/16 O.D. X .051/.080 THICK FLAT WASHER (5/16) | 4 |
| 212 | 9121520 | 5/16 SPLIT LOCK WASHER | 4 |
| 213 | 9121510 | 5/16-18 X 2 1/4 SOCKET HEAD CAP SCREW | 4 |
| 214 | 5092641 | RETAINING RING | 1 |
| 215 | 5990331 | 3/8" I.D. "O" RING | 1 |
| 216 | 5390861 | BUMPER - 17" | 1 |
| | 5390851 | BUMPER - 20" | 1 |
| 217 | 5390496 | HANDLE PIVOT BAR | 1 |
| 218 | 5092641 | RETAINING RING | 1 |
| 219 | 5990241 | SOLUTION FEED TUBE | 1 |
| 220 | 5091691 | RUBBER PAD | 4 |
| 221 | 0393321 | HANDLE GRIP | 1 |
| 222 | 9121680 | 5/16-18 X 1 HEX BOLT | 1 |
| 223 | 5390043 | TUBE CLAMP | 1 |
| 224 | 5390136 | AXLE | 1 |
| 225 | 9122705 | 1/2 I.D. X 3/4 O.D. X .01 THICK - 1 WAVE SPRING WASHER (1/2) | 2 |
| 226 | 5390811 | 1/2 I.D. X 1 O.D. X .07 THICK FLAT WASHER - NYLATRON | 2 |
| 227 | 9122496 | RETAINING RING | 2 |
| 228 | 9122465 | .516 I.D. X .813 O.D. X .027/.030 THICK FLAT WASHER | 2 |
| 229 | 5092591 | WHEEL - 5" - WITH PLASTIC BEARING | 2 |
| 230 | 9122705 | 1/2 I.D. X 3/4 O.D. X .01 THICK - 1 WAVE SPRING WASHER (1/2) | 1 |
| 231 | 5390811 | 1/2 I.D. X 1 O.D. X .07 THICK FLAT WASHER - NYLATRON | 2 |
| 232 | 5390026 | HANDLE BRACE | 2 |
| 233 | 9122140 | 3/8-16 HEX NUT WITH NY-LOK INSERT | 1 |
| 234 | 5390826 | TUBE CLAMP SHOE | 1 |
| 235 | 5391891 | HANDLE | 1 |
| 236 | 5390201 | RUBBER TUBING | 1 |
| 237 | 0393141 | FLATTENED CLAMP BOLT | 1 |
| 238 | 0393131 | SLOTTED WASHER | 1 |
| 239 | 9121420 | 5/16-18 HEX NUT | 1 |
| 240 | 0393121 | CLAMP LEVER | 1 |
| 241 | 5492601 | JUMPER WIRE / SWITCH | 1 |
| 242 | 5990231 | FULLY INSULATED MALE TERMINAL 14-16 | 1 |
| 243 | 5490161 | FULLY INSULATED FEMALE TERMINAL 14-16 | 1 |
| 244 | 5490171 | FULLY INSULATED MALE TERMINAL 14-16 | 2 |
| 245 | 5492531 | DECAL - "HI SPEED / LOW SPEED" | 1 |
| 246 | 4991841 | HIGH / LOW SPEED SWITCH WITH SPLASH GUARD | 1 |

BASE ASSEMBLY



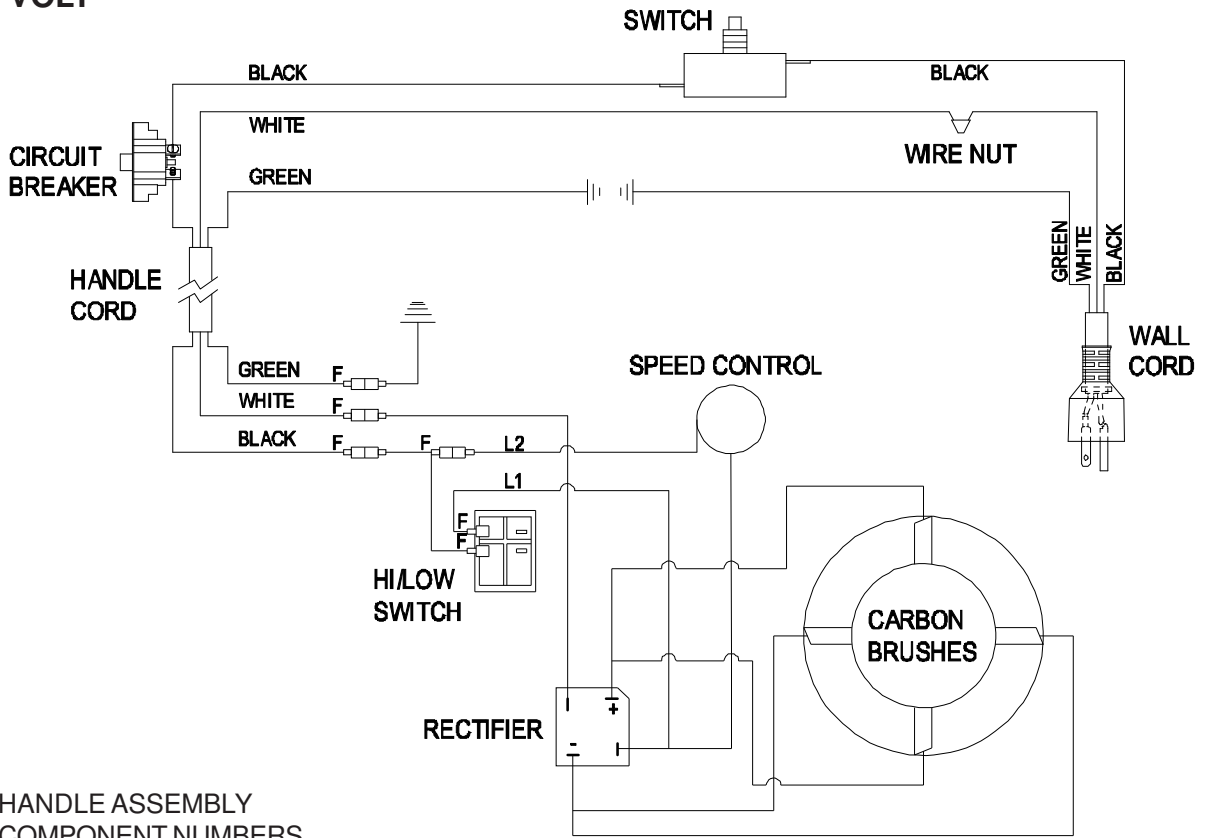
MOTOR ASSEMBLY



| ITE M | PART NO. | PART DESCRIPTION | QTY. |
|--------------|-----------------|---|-------------|
| 301 | 5992181 | COMMUTATOR BRACKET COVER | 1 |
| 302 | 5992051 | COMMUTATOR BRACKET ASSEMBLY - 115 VOLT | 1 |
| | 5992061 | COMMUTATOR BRACKET ASSEMBLY - 240 VOLT | 1 |
| 302 | 5992111 | COMMUTATOR BRACKET - 115 & 240 VOLT | 1 |
| 302A | 5492741 | RECTIFIER - 115 VOLT | 1 |
| | 5992121 | RECTIFIER - 240 VOLT | 1 |
| 302B | 5992091 | SPEED CONTROL - 115 VOLT | 1 |
| | 5992101 | SPEED CONTROL - 240 VOLT | 1 |
| 302C | 5992131 | BRUSH BOARD ASSEMBLY (W/BRUSHES & SPRINGS) - 115 VOLT | 1 |
| 302C1 | 5293651 | BRUSH FOR 5992011 - 115 VOLT | 4 |
| 302C | 5992071 | BRUSH BOARD ASSEMBLY (W/BRUSHES & SPRINGS) - 240 VOLT | 1 |
| 302C1 | 5992151 | BRUSH FOR 5992021 - 240 VOLT | 4 |
| 303 | 5992171 | STATOR ASSEMBLY - 115 & 240 VOLT | 1 |
| 304 | 5992081 | GEARBOX W/ENDSHIELD & FLEX COUPLING | 1 |
| 305 | 5992031 | ARMATURE ASSEMBLY - 115 VOLT | 1 |
| | 5992041 | ARMATURE ASSEMBLY - 240 VOLT | 1 |
| 306 | ----- | MOTOR BOLTS | 2 |

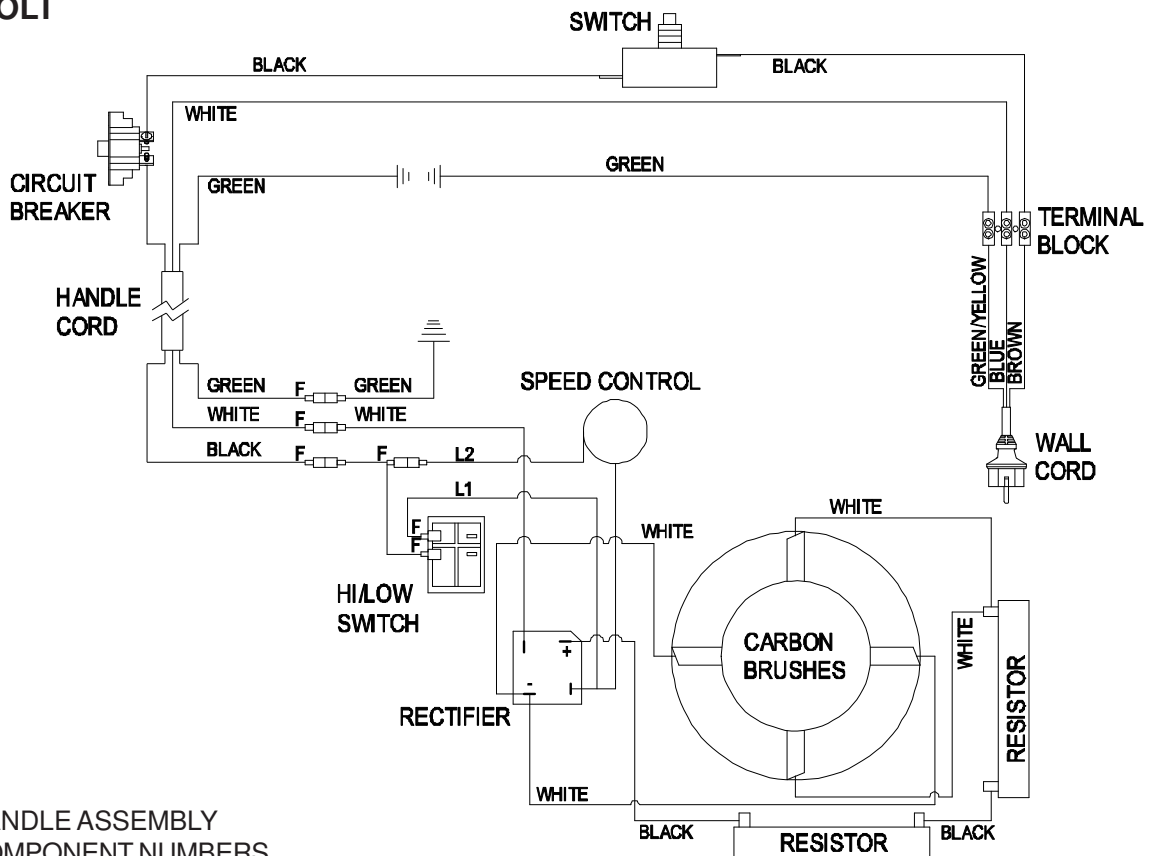
WIRE DIAGRAM - MUSTANG 300 DS

120 VOLT



SEE HANDLE ASSEMBLY
FOR COMPONENT NUMBERS

240 VOLT



SEE HANDLE ASSEMBLY
FOR COMPONENT NUMBERS

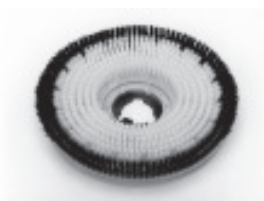
ACCESSORIES



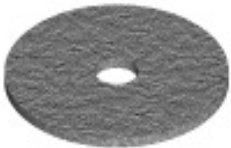
- 2890101 PLASTIC CLUTCH PLATE - 5" DIAMETER - 6 HOLES
- 2890981 PLASTIC CLUTCH PLATE - 4" DIAMETER - 3 HOLES
- 2890991 ALUMINUM CLUTCH PLATE - 5" DIAMETER - 6 HOLES
- 2893001 ALUMINUM CLUTCH PLATE - 4" DIAMETER - 3 HOLES



- 2897551 17" H.S. PAD DRIVER (DS MACHINE)
- 2897211 17" POLY BACK TUFTED PAD DRIVER
- 2897601 17" STRUCTURAL FOAM PAD DRIVER
- 2897201 17" POLY BACK NYLON FILL SCRUB BRUSH - LIGHT TO MEDIUM SCRUB
- 2897711 17" POLY BACK NYLON GRIT FILL SCRUB BRUSH - HEAVY CONCRETE SCRUB
- 2897821 17" POLY BACK NYLON - SOFT SCRUB BRUSH - CARPET ONLY
- 2897901 17" POLY BACK SCRUB GRIT BRUSH - MILD TO MEDIUM SCRUB



- 2892551 20" H.S. PAD DRIVER (DS MACHINE)
- 2892211 20" POLY BACK TUFTED PAD DRIVER
- 2892601 20" STRUCTURAL FOAM PAD DRIVER
- 2892201 20" POLY BACK NYLON FILL SCRUB BRUSH - LIGHT TO MEDIUM SCRUB
- 2892651 20" POLY BACK NYLON FILL SCRUB BRUSH - WITH GUIDE FOR CARPET SHAMPOOING
- 2892711 20" POLY BACK NYLON GRIT FILL SCRUB BRUSH - HEAVY CONCRETE SCRUB
- 2892031 20" PLASTIC BACK BASSINE SCRUB BRUSH - GENERAL SCRUB
- 2892701 20" POLY BRUSH - SHOWER FEED - STANDARD CARPET SCRUB
- 2892901 20" POLY BACK SCRUB GRIT BRUSH - MILD TO MEDIUM SCRUB



- NOTE: ALL PADS COME 5 PADS PER CASE
- 7991751 17" LITE BLUE POLISH/BURNISH PAD - SOFT FINISH
 - 7991741 17" UHS CLEAN BUFF PAD - REMOVE SCUFF MARKS NOT FINISH
 - 7991731 17" BLUE SCRUB PAD - TOP SCRUB AND LIGHT FINISH REMOVAL
 - 7991721 17" GREEN SCRUB PAD - HEAVY FINISH REMOVAL
 - 7991701 17" BLACK STRIP PAD - REMOVES FINISH COMPLETELY

- 7992051 20" LITE BLUE POLISH/BURNISH PAD - SOFT FINISH
- 7992041 20" UHS CLEAN BUFF PAD - REMOVE SCUFF MARKS NOT FINISH
- 7992031 20" BLUE SCRUB PAD - TOP SCRUB AND LIGHT FINISH REMOVAL
- 7992021 20" GREEN SCRUB PAD - HEAVY FINISH REMOVAL
- 7992001 20" BLACK STRIP PAD - REMOVES FINISH COMPLETELY
- 7992011 20" BROWN STRIP PAD - REMOVES FINISH COMPLETELY



- 2890201 SPRAY BUFF APPLICATOR - PUMP UP TYPE
- 5094771 DELUXE SOLUTION TANK - 3.5 GALLON WITH BRASS VALVES



NSS® Enterprises, Inc.

3115 Frenchmens Road, Toledo, Ohio 43607
 PHONE (419) 531-2121 FAX (419) 531-3761

NSS® Enterprises, Inc. European Distribution Centre

Unit II, Pinfold Trading Estate * 55 Nottingham Road
 STAPLEFORD, NOTTINGHAM NG9 8AD ENGLAND U.K.
 PHONE: (44) 0115 939 1568 * FAX: (44) 0115 949 0615