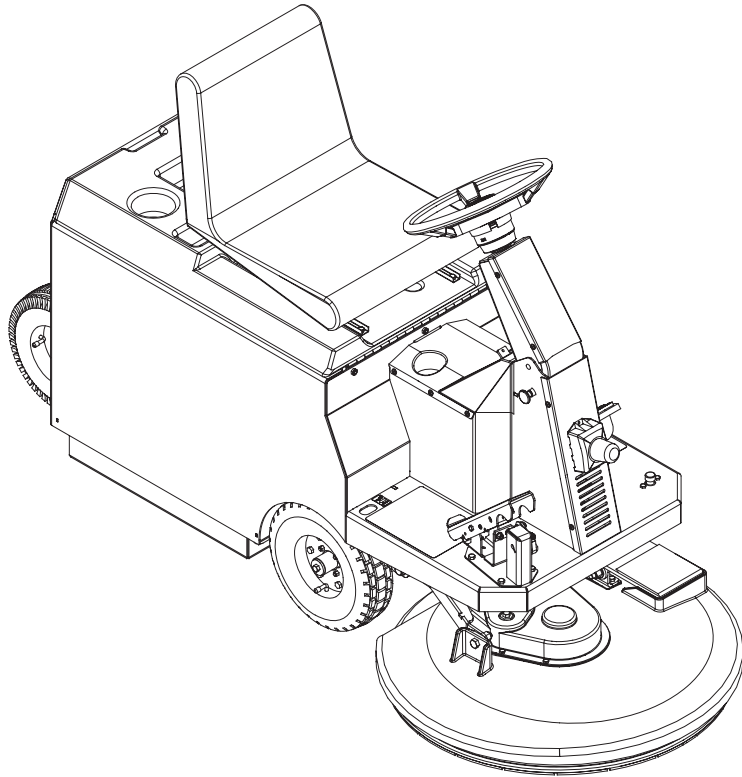


# Whirlamatic™ 2700

---

## BHS 7014



### PARTS LIST

Advance MODEL 56420000

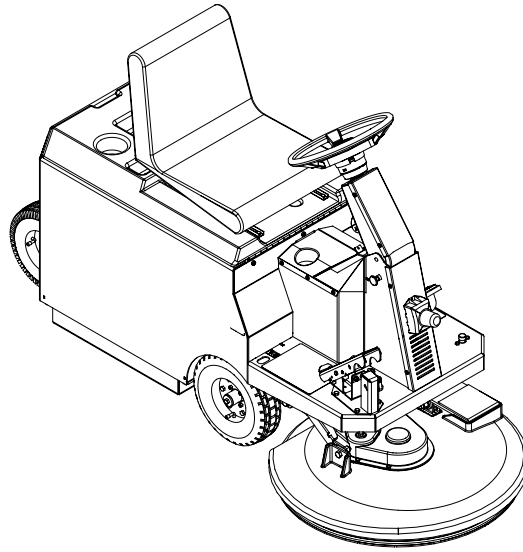
Nilfisk MODEL 56420161



**Nilfisk  
Advance**

*setting standards*

3/98 revised 11/05 FORM NUMBER 56042342  
BOOK D SECTION 5.3.1

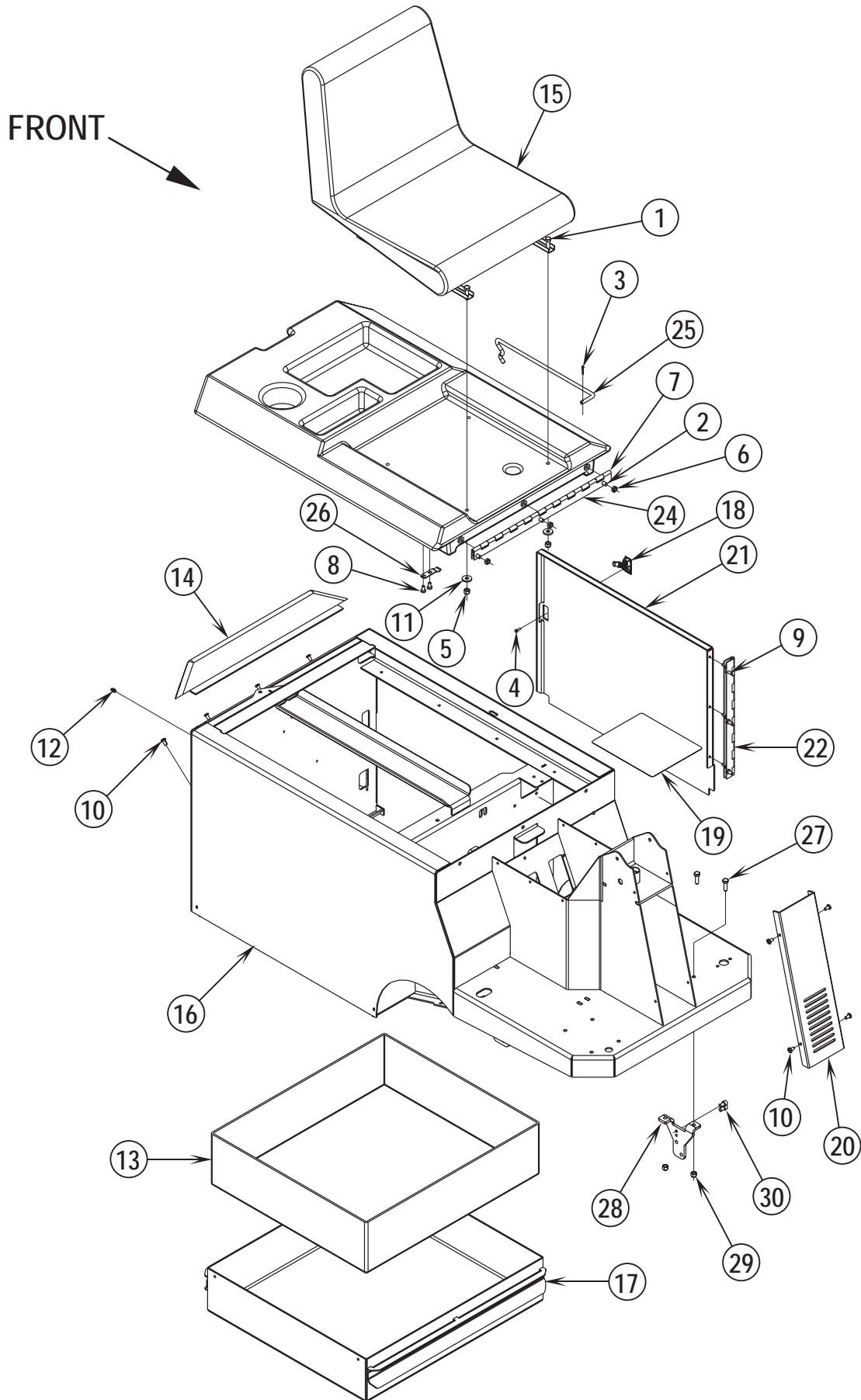


DESCRIPTION	PAGE
Chassis System .....	D-5.3.1-3
Steering System-1 .....	D-5.3.1-5
Steering System-2 .....	D-5.3.1-7
Control System .....	D-5.3.1-9
Traction Drive System .....	D-5.3.1-11
Pad Drive System .....	D-5.3.1-13
Decal System .....	D-5.3.1-15
Electrical System .....	D-5.3.1-17
Wiring Diagram (before SN 1507059) .....	D-5.3.1-19
Wiring Diagram (after SN 1507058) .....	D-5.3.1-21
Recommended Dealer Stock Replacement Parts .....	D-5.3.1-22

#### WHEN ORDERING PARTS

- \* Use the 8 digit numbers from the "Ref. No." columns in this parts list.
- \* Specify the model and serial number of the machine.
- \* Use the space below to record the model and serial number for future reference.

Model \_\_\_\_\_ Serial No. \_\_\_\_\_



98-3	<b>CHASSIS SYSTEM</b>	<b>BOOK D</b>		
05-11	<b>Whirlamatic™ 2700 / BHS 7014</b>	<b>D</b>	<b>5.3.1</b>	<b>3</b>

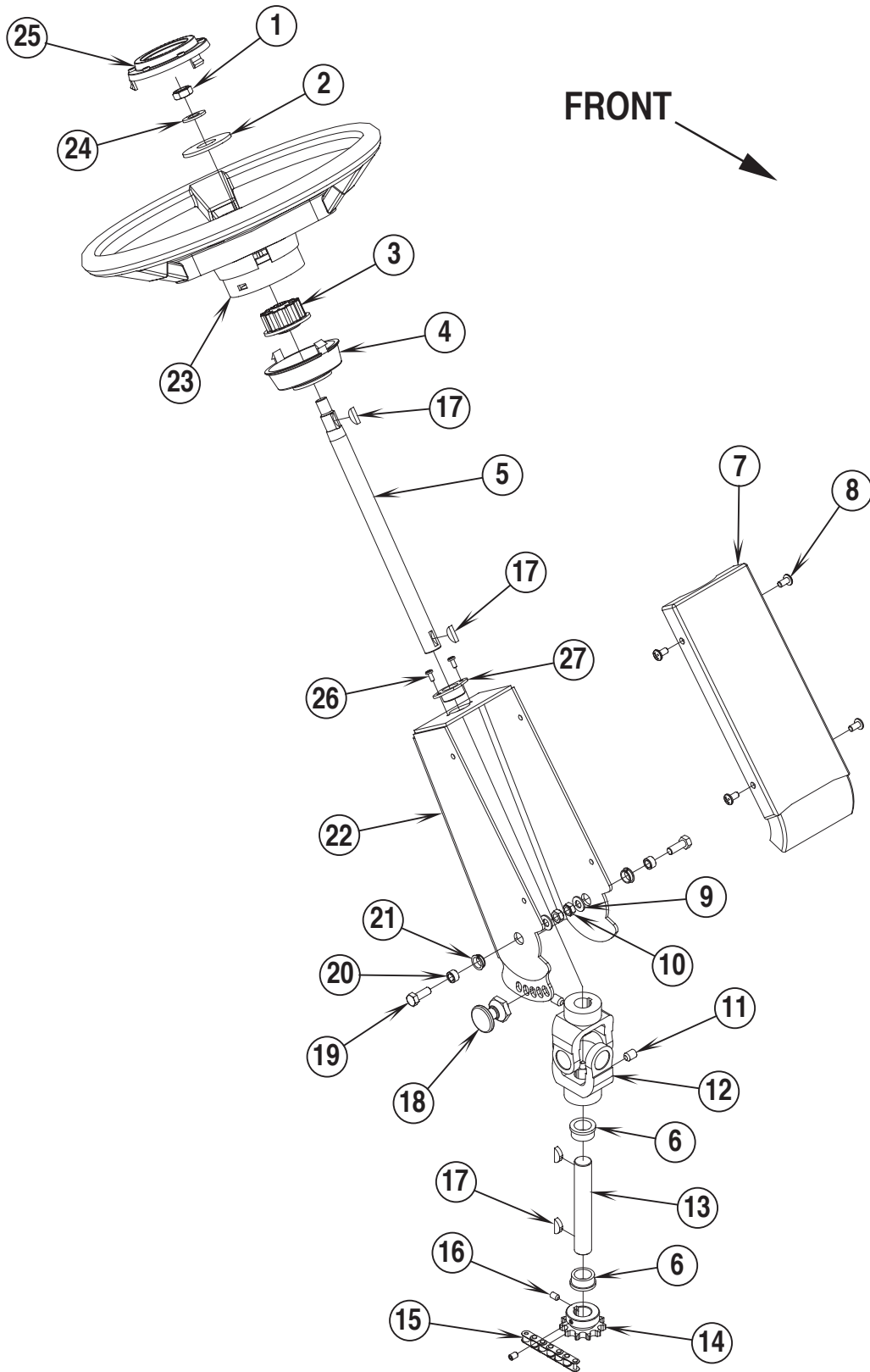
Item	Ref. No.	Qty	Description
1	56001834	4	Scr, Hex Hd 5/16-18 x 1.25
2	56001862	3	Scr, Hex Hd 5/16-18 x .50
3	56002166	1	Pin, Colter 3/32 x 3/4
4	56002438	1	Scr, Hex Thd Form 8-32 x .50
5	56002701	4	Nut, Hex Nyl Loc 5/16-18
6	56002826	3	Nut, Hex Nyl Loc-Thin 5/16-18
7	56002923	3	Scr, Hex Hd Loc 5/16-18 x .50
8	56003039	2	Scr, Hex Hd Loc 1/4-20 x .50
9	56009033	6	Scr, Hex Thd Form 1/4-20 x .50
10	56009126	10	Scr, Pan Phil Thd Form 1/4-20 x .50
11	56009122	4	Wsh, Flt .34 x .93 x .12
12	56101737	1	Fitting, Lube 1/4-23
13	56389110	1	Tray, Battery
14	56420001	1	Panel, Rear
15	56420011	1	Seat
*	56420143	1	Armrest Kit (optional / for 56420011)
16	56420016	1	Chassis
17	56420041	1	Battery Box
18	56420048	1	Lift and Turn Latch
19	56420057	2	Grip Surface
20	56420064	1	Cover, Lower Column
21	56420100	1	Door
22	56420101	1	Hinge
23	56420102	1	Panel, Seat
24	56420103	1	Hinge
25	56420104	1	Prop Rod
26	56454940	1	Clamp
27	56002221	2	Scr Hex 5/16-18 x 1.00 <b>NOTE 1</b>
28	56420210	1	Bracket, Cyl <b>NOTE 1</b>
29	56002701	2	Nut Hex Nyl Loc 5/16-18 <b>NOTE 1</b>
30	56003447	2	Scr, Soc Hd 5/16-18 x .5 <b>NOTE 1</b>

**NOTE 1:** This bracket and mounting hardware were only used between the following serial numbers;  
between SN 1884451 and SN 1893785 for Whirlamatic 2700,  
between SN 1886751 and SN 1893785 for BHS 7014

**OPTIONAL KITS AND ACCESSORIES**

*	56420137	1	Battery Exchange Kit
*	56420144	1	Back-Up Alarm Kit
*	56420123	1	Headlight Kit
*	56420127	1	Strobe Light Kit
*	56420143	1	Armrest Kit
*	56420131	1	Battery Stand Weld't
*	56420165	1	Pallet Jack

\* = Not Shown



98-3	<b>STEERING SYSTEM-1</b>	<b>BOOK D</b>		
01-9	<b>Whirlamatic™ 2700 / BHS 7014</b>	<b>D</b>	<b>5.3.1</b>	<b>5</b>

Item	Ref. No.	Qty	Description
1	56002868	1	Nut, Hex Nyl Loc-Thin 1/2-20
2	56003342	1	Wsh, Flt .88 x 2.25 x .13
3	56497560	1	Wheel Adapter
4	56497308	1	Cup
5	56420059	1	Shaft, Upper Steering
6	56250414	2	Bearing, Flange
7	56420063	1	Cover, Upper Column
8	56009062	4	Scr, Pan Phil Thd Form 1/4-20 x .50
9	56001939	2	Wsh, Flt SAE 5/16
10	56002826	2	Nut, Hex Nyl Loc-Thin 5/16-18
11	56001958	2	Scr, Soc Set Loc 3/8-16 x .50
12	56454081	1	Universal Joint
13	56420060	1	Shaft, Lower Steering
14	56471148	1	Sprocket
15	56420065	1	Chain, Roller
16	56002930	2	Scr, Soc Set Loc 1/4-20 x .38
17	56003228	4	Key, Wdf .75 x .19
18	56420062	1	Latch Assembly
19	56002037	2	Scr, Hex Hd 5/16-18 x .88
20	56320595	2	Bushing
21	56302164	2	Bearing, Flange
22	56420061	1	Column, Steering
23	56497306	1	Steering Wheel
24	56001879	1	Wsh, Flt SAE 1/2
25	56497543	1	Cap
26	56009051	2	Scr, Pan Phil Thd Form 8-32 x .38 <b>TSB 727</b>
27	56100393	1	Bushing <b>TSB 727</b>



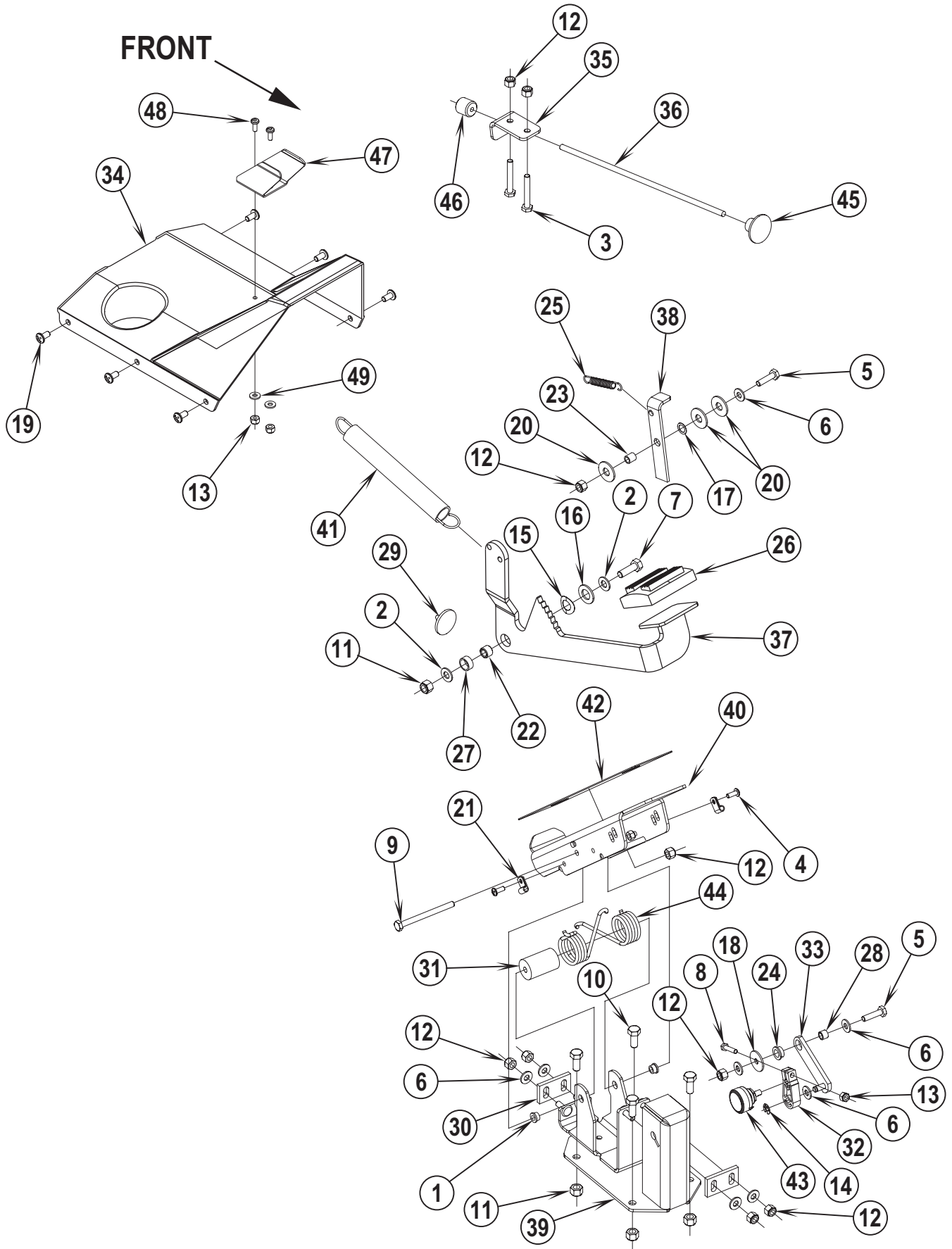
98-3	<b>STEERING SYSTEM-2</b>	<b>BOOK D</b>		
01-9	<b>Whirlamatic™ 2700 / BHS 7014</b>	<b>D</b>	<b>5.3.1</b>	<b>7</b>

Item	Ref. No.	Qty	Description
1	56002721	3	Scr, Hex Hd 5/16-18 x 2.00
2	56497311	3	Bushing, Flanged
3	56003493	2	Pin, Cotter 3/32 x 1.50 <b>Note</b>
4	56009263	2	Nut, Hex Slotted Thick 3/4-16 <b>Note</b>
5	56420170	2	Wheel Assembly <b>Note</b>
*	56100637	4	Bearing Cone, Kit (qty of 2 per wheel)
*	56420193	8	Lug Nut, 5/16-24 (qty of 4 per wheel)
6	56002701	3	Nut, Hex Nyl Loc 5/16-18
7	56009122	2	Wsh, Flt .34 x .93 x .12
8	56454079	3	Sprocket Assembly
9	56453409	1	Sprocket
10	56420091	1	Chain, Roller
11	56009022	3	Wsh, Flt .75 x 1.25 x .12
12	56420090	1	Jackshaft, Steer
13	56420168	1	Spindle Weld't <b>Note</b>
14	56002181	1	Pin, Cotter 1/8 x 1-1/2
15	56171078	1	Shaft Seal
16	56378267	1	Bearing, Cone
17	56378259	1	Bearing, Cup
18	56378380	1	Bearing, Ball
19	56110817	1	Nut, Castle 7/8-14
20	56250414	2	Bearing, Flange
21	56002930	4	Scr, Soc Set Loc 1/4-20 x .38
22	56003228	2	Key, Wdf .75 x .19
23	56471148	1	Sprocket
24	56001939	3	Wsh, Flt SAE 5/16

\* = Not Shown

**Note:** Machines built before Serial No's 1266988(2700), 1260005(BHS 7014) have different style hubs and spindle weldment which are no longer available. To update your machine order Update Kit PN 56420180.

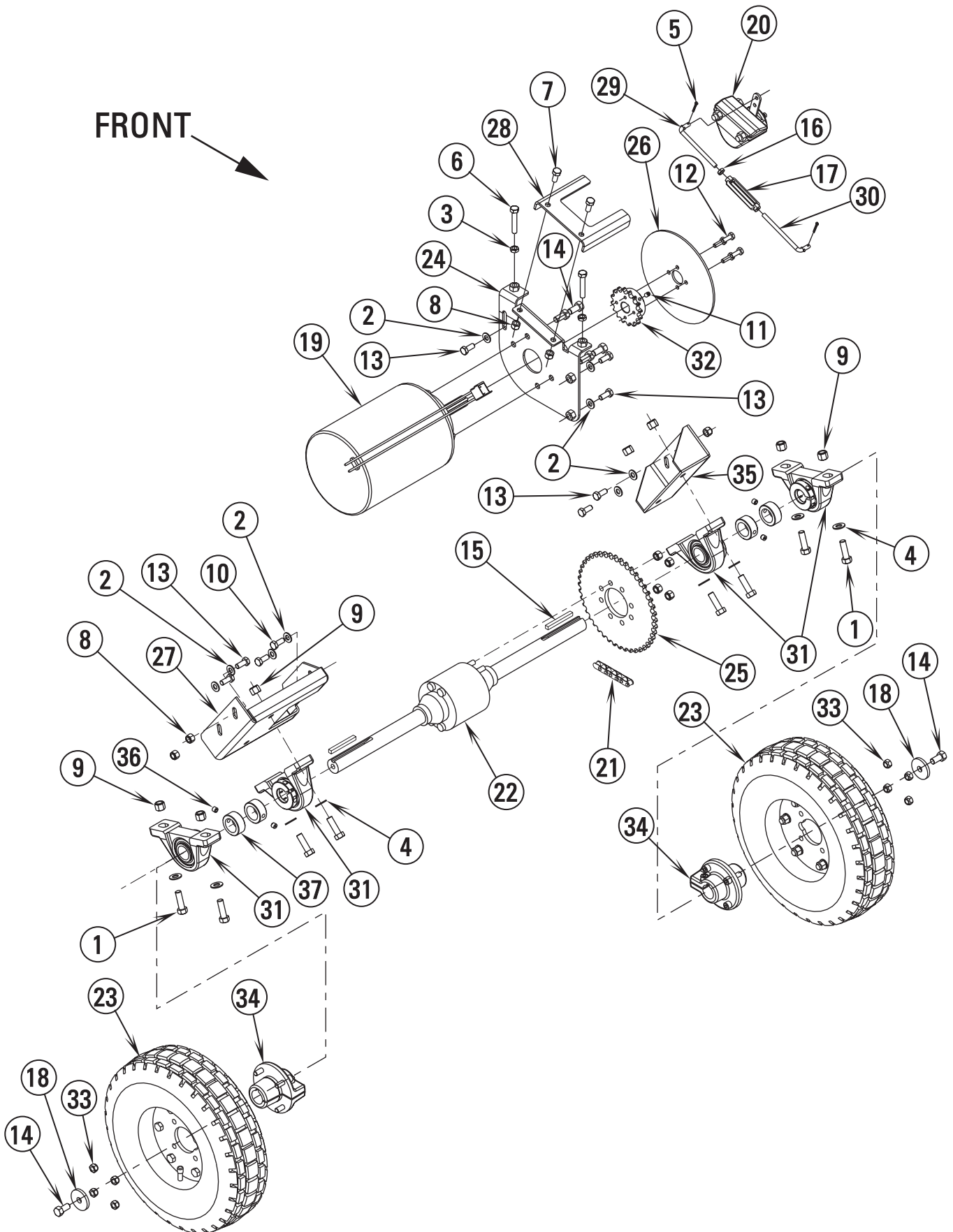




98-3	<b>CONTROL SYSTEM</b>	<b>BOOK D</b>		
03-3	<b>Whirlamatic™ 2700 / BHS 7014</b>	<b>D</b>	<b>5.3.1</b>	<b>9</b>

Item	Ref. No.	Qty	Description
1	56756318	2	Bearing, Flange
2	56001939	2	Wsh, Flt SAE 5/16
3	56001967	2	Scr, Hex Hd 1/4-20 x 1.75
4	56001993	2	Scr, Pan Phil 10-24 x .50
5	56002093	2	Scr, Hex Hd 1/4-20 x 1.00
6	56002098	8	Wsh, Flt SAE 1/4
7	56002221	1	Scr, Hex Hd 5/16-18 x 1.00
8	56002425	1	Scr, Hex Hd 10-24 x .88
9	56002603	1	Scr, Hex Hd 1/4-20 x 3.00
10	56002667	4	Scr, Hex Hd 5/16-18 x .75
11	56002701	5	Nut, Hex Nyl Loc 5/16-18
12	56002708	9	Nut, Hex Nyl Loc 1/4-20
13	56002768	5	Nut, Hex Nyl Loc 10-24
14	56003268	1	Ring, Ret Ext Type E Reinf .25 Dia.
15	56009001	1	Wsh, Bowed .51 x .90 x .008
16	56009017	1	Wsh, Flt Harden .51 x .93 x .75
17	56009023	1	Wsh, Wave .375
18	56009060	1	Wsh, Flt SS .26 x 1.00 x .07
19	56009062	6	Scr, Pan Phil Thd Form 1/4-20 x .50
20	56009213	3	Wsh, Flt .39 x 1.00 x .07
21	56220507	2	Clamp, P
22	56228046	1	Bushing .31 x .50 x .37
23	56321532	1	Bushing .25 x .37 x .40
24	56324505	1	Bearing, Flange
25	56358560	1	Spring
26	56365002	1	Pad, Rubber
27	56365030	1	Bushing .50 x .62 x .27
28	56368989	1	Bushing
29	56393581	1	Bumper
30	56409377	2	Plate, Slide
31	56409378	1	Spacer, Nylon
32	56409471	1	Lever, Throttle
33	56409610	1	Link Weld't
34	56420002	1	Panel, Control
35	56420003	1	Angle
36	56420004	1	Rod, Disconnect
37	56420051	1	Brake Pedal
38	56420054	1	Lever, Park Brake
39	56420105	1	Pedal Mount Weld't
40	56420108	1	Throttle Pedal Weld't
41	56448119	1	Spring, Ext.
42	56449958	1	Mat, Pedal
43	56454740	1	Potentiometer, 5K
44	56468243	2	Spring, Idler
45	56478605	1	Knob
46	56478660	1	Block
47	56420149	1	Guard, Switch
48	56009082	2	Scr, Pan Phil Thd Form-Blk 10-24 x .50
49	56001954	2	Wsh, Flt SAE #10

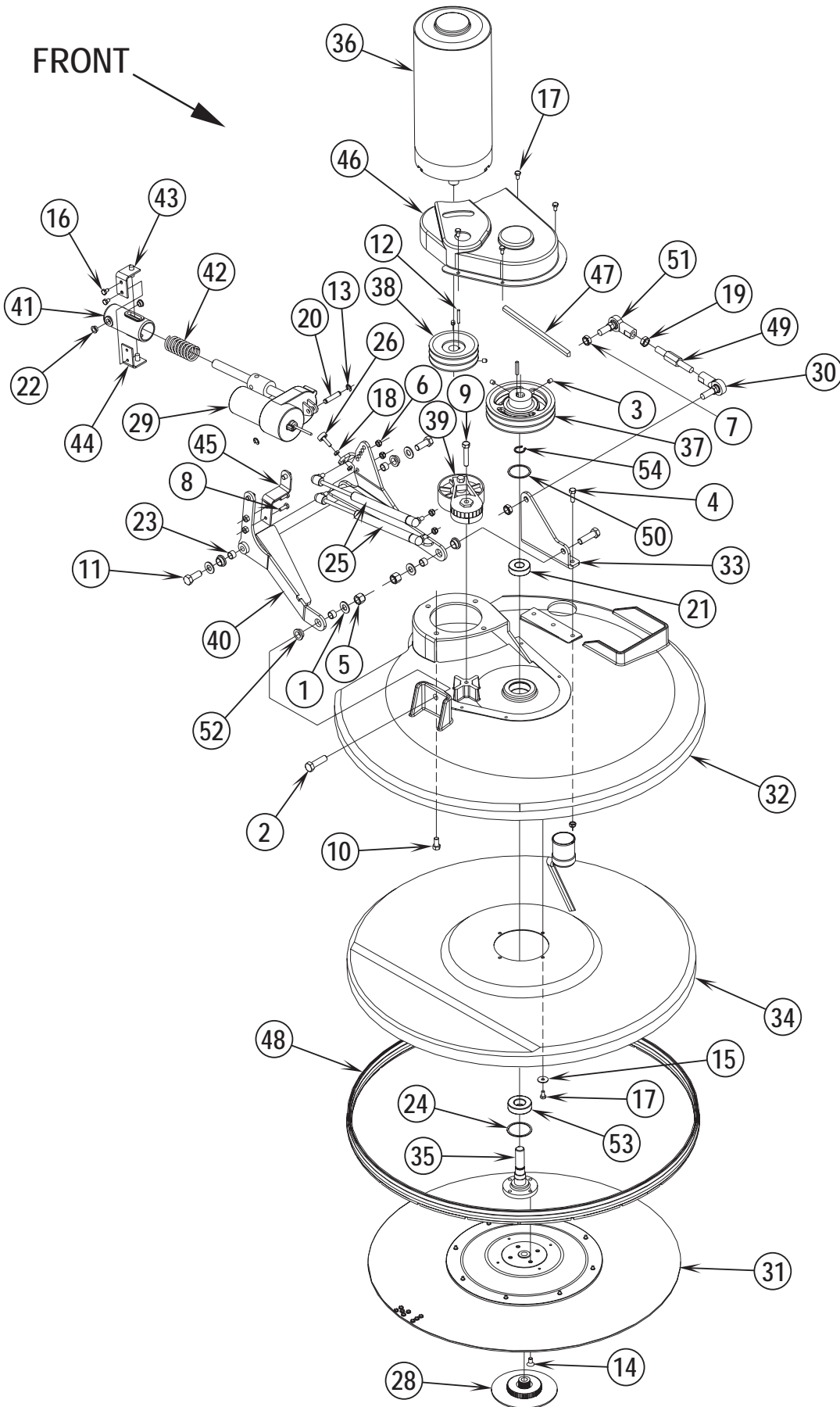
FRONT



98-3	<b>TRACTION DRIVE SYSTEM</b>	<b>BOOK D</b>		
03-8	<b>Whirlamatic™ 2700 / BHS 7014</b>	<b>D</b>	<b>5.3.1</b>	<b>11</b>

Item	Ref. No.	Qty	Description
1	56001858	8	Scr, Hex Hd 3/8-16 x 1.25
2	56001939	9	Wsh, Flt SAE 5/16
3	56009086	2	Nut, Hex Jam 5/16-18
4	56002063	8	Wsh, Flt SAE 3/8
5	56002166	2	Pin, Cotter 3/32 x 3/4
6	56002368	2	Scr, Hex Thd to Hd 5/16-18 x 1.75
7	56002667	2	Scr, Hex Hd 5/16-18 x .75
8	56002701	10	Nut, Hex Nyl Loc 5/16-18
9	56002769	8	Nut, Hex Nyl Loc 3/8-16
10	56002929	2	Scr, Hex Hd Loc 5/16-18 x .62
11	56002021	2	Scr, Soc Set Loc 5/16-18 x .38
12	56002948	4	Scr, Hex Hd Loc 1/4-20 x .75
13	56002956	7	Scr, Hex Hd Loc 5/16-18 x .75
14	56003079	6	Scr, Hex Hd Loc 3/8-16 x .75
15	56003248	2	Key, Sq .25 x 2.31
16	56009087	1	Nut, Hex Jam 1/4-20
17	56206814	1	Turnbuckle
18	56367117	2	Wsh, Flt .40 x 1.50 x .18
19	56377537	1	Motor, 36V
*	56503026	1	Carbon Brush Set <b>(for 56377537)</b>
20	56391301	1	Brake
21	56395871	1	Chain, Roller
22	56420204	1	Differential <b>TSBUS2003-845</b>
23	56420196	2	Wheel <b>TSB762</b>
24	56420046	1	Mount Plate
25	56420209	1	Sprocket <b>TSBUS2003-852</b>
26	56420049	1	Disc
27	56420200	1	Mount <b>TSBUS2003-845</b>
28	56420053	1	Caliper Mount
29	56420055	1	Brake Link
30	56420056	1	Brake Link LH
31	56420205	4	Pillow Block, Bearing <b>TSBUS2003-845</b>
32	56453409	1	Sprocket
33	56420193	8	Lug Nut, 5/16-24
34	56420192	2	Hub Assy <b>TSB762</b>
35	56420201	1	Bracket <b>TSBUS2003-845</b>
36	56002086	4	Scr, Soc Set Loc 5/16-18 x .25
37	56444820	4	Collar <b>TSBUS2003-845</b>

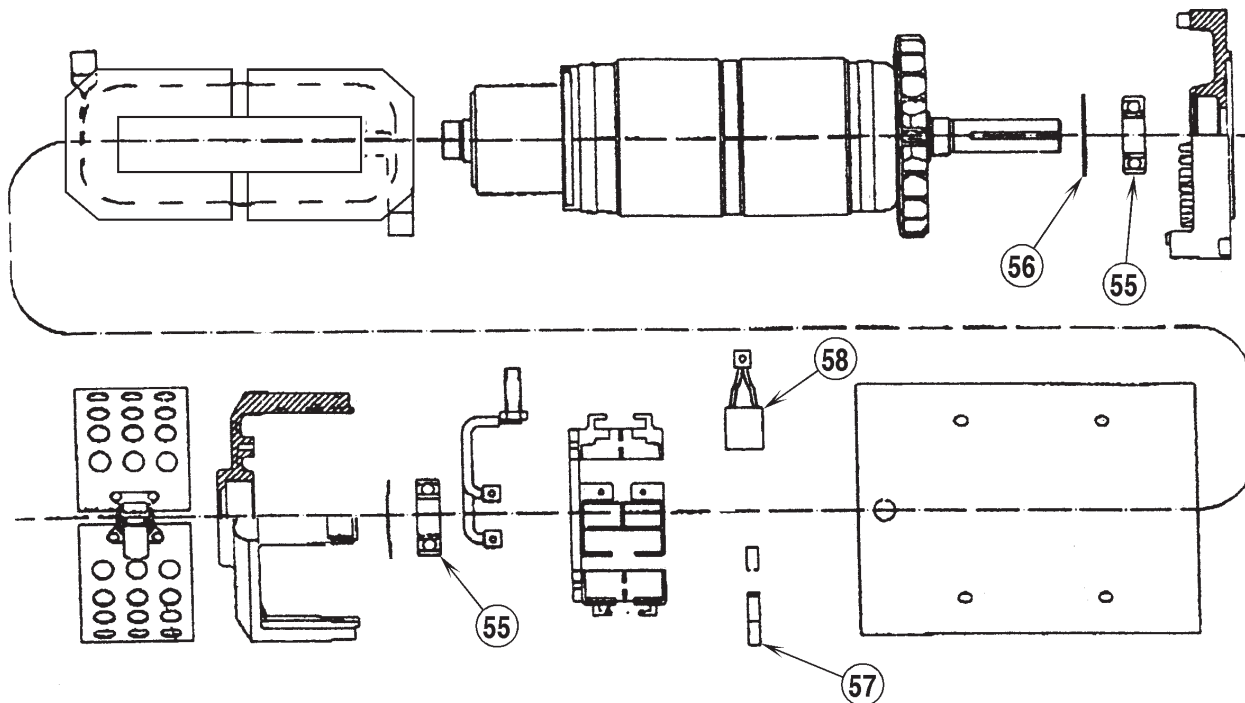
\* = Not Shown

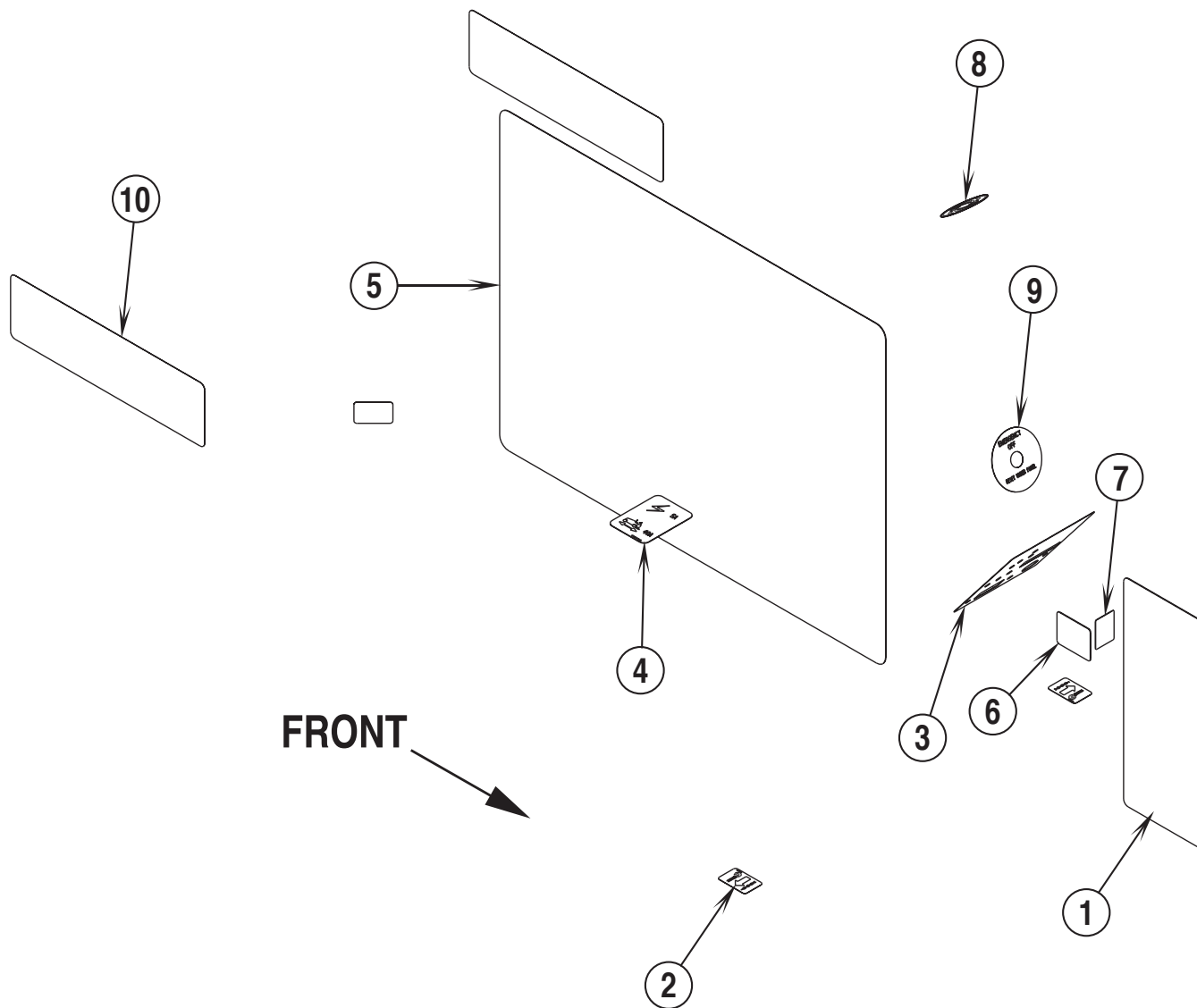


Item	Ref. No.	Qty	Description	Item	Ref. No.	Qty	Description
1	56001879	4	Wsh, Flt SAE 1/2	34	56420203	1	Shroud, Dust Collection <b>TSBUS2003-852</b>
2	56001995	2	Scr, Hex Hd 1/2-13 x 1.75	35	56420009	1	Shaft, Pad
3	56002021	4	Scr, Soc Set Loc 5/16-18 x .38	36	56420010	1	Motor
4	56002221	3	Scr, Hex Hd 5/16-18 x 1.00				(refer to #55-58 for replacement parts)
5	56002770	2	Nut, Hex Nyl Loc 1/2-13	37	56420012	1	Sheave
6	56002826	7	Nut, Hex Nyl Loc-Thin 5/16-18 <b>NOTE 1</b>	38	56420013	1	Sheave
7	56002868	2	Nut, Hex Nyl Loc-Thin 1/2-20	39	56420014	1	Idler, Belt
8	56002948	2	Scr, Hex Hd Loc 1/4-20 x .75	40	56420015	1	Main Lift Linkage
9	56003031	1	Scr, Hex Hd Loc 3/8-16 x 2.00	41	56420017	1	Housing, Spring
10	56003079	4	Scr, Hex Hd Loc 3/8-16 x .75	42	56420018	1	Compression Spring
11	56003022	2	Scr, Hex Hd Loc 1/2-13 x 1.25	43	56420019	1	Nut Retainer
12	56003241	2	Key, Sq .19 x 1.31	44	56420020	1	Nut Retainer
13	56003262	2	Ring, Ret Ext Type E .38 Dia.	45	56420021	1	Mount Weld't
14	56003394	4	Scr, Flt Soc 5/16-18 x .62	46	56420022	1	Cover, Drive Belt
15	56009002	4	Wsh, Flt .26 x .90 x .06	47	56420023	1	V-Belt ( <b>set of 2</b> )
16	56009019	2	Scr, Hex Thd Form 1/4-20 x .38	48	56420024	1	Skirt Assembly
17	56009033	8	Scr, Hex Thd Form 1/4-20 x .50	49	56420035	1	Linkage Adjuster Stud
18	56009087	2	Nut, Hex Jam 1/4-20	50	56444731	1	Ring, Ret Int
19	56009089	1	Nut, Hex Jam 1/2-20	51	56477813	1	Ball Joint
20	56104760	1	Pin	52	56420160	4	Bearing, Flange
21	56154091	1	Bearing, Ball	53	56479430	1	Bearing, Ball
22	56324505	2	Bearing, Flange	54	56900884	1	Ring, Ret Ext
23	56360627	4	Bushing	55	56409750	2	Bearing
24	56378399	1	Ring, Ret Int 2.04	56	56409749	1	Snap-Ring
25	56385238	2	Gas Cylinder <b>NOTE 1</b>	57	56409746	8	Spring, Brush
26	56386314	1	Leg Leveler 1/4-20	58	56420147	1	Carbon Brush Set (set of 8)
27			<b>Intentionally Omitted</b>				
28	56420120	1	Pad Retainer	*	56391185	A/R	Dust Collection Bags ( <b>pkg of 6</b> )
29	56393303	1	Actuator, Motor	*	56420162	A/R	Pad 27", Topline Case of 5
*	56388520	1	Plastic Drive Nut ( <b>for 56393303</b> )	*	56420163	A/R	Pad 27", Natural case of 5
*	56470433	1	Carbon Brush Set ( <b>for 56393303</b> )				
30	56409405	1	Ball Joint				
31	56420005	1	Pad Driver Assembly				
32	56420006	1	Shroud, Machined Outer				
33	56420007	1	Shroud, Mounting Bracket				

\* = Not Shown

**NOTE 1:** Quantity for item 6 was 5 and quantity for item 25 was 1, for 2700 models before SN1884451 and BHS 7014 models before SN1886751.

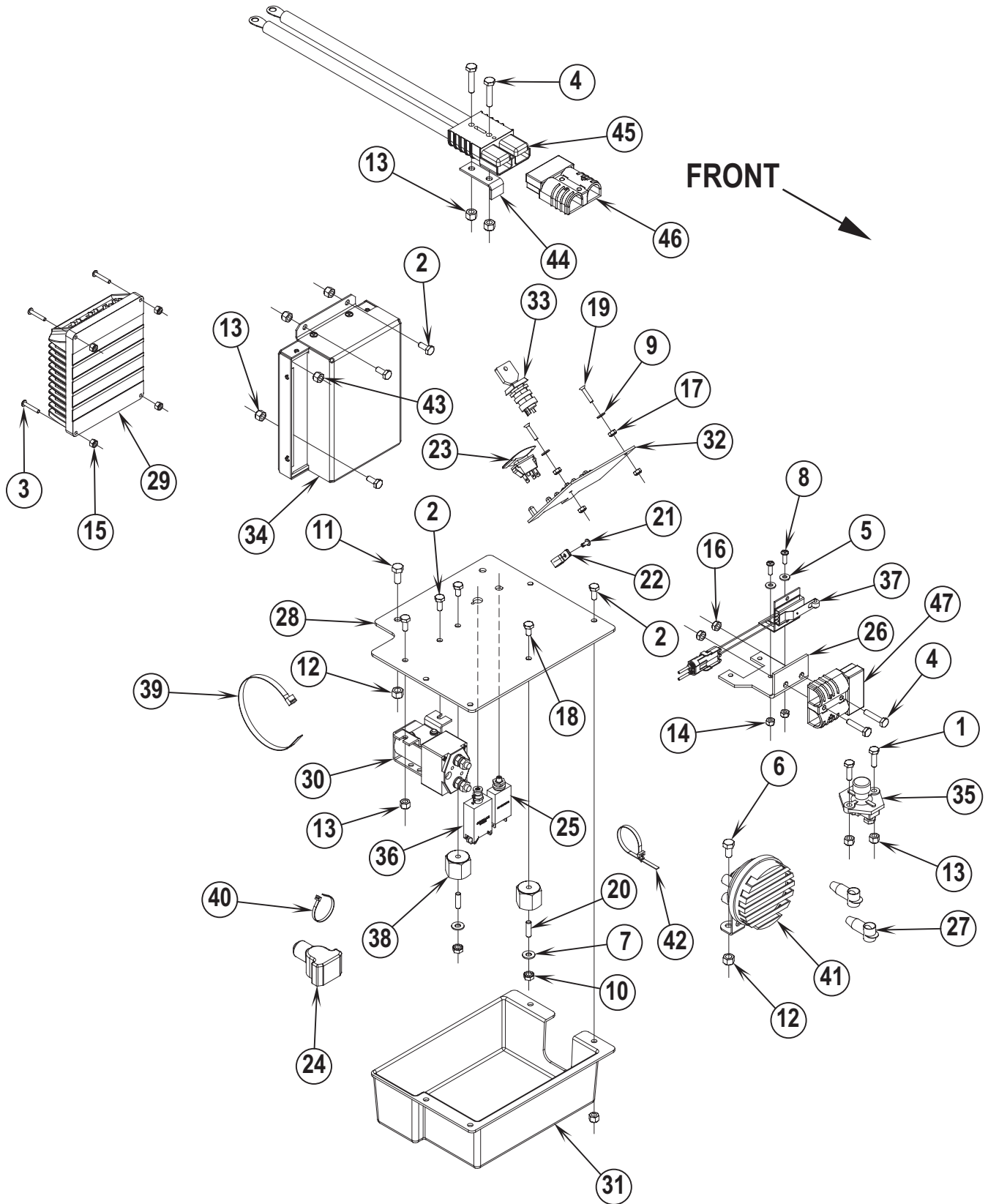




98-3	<b>DECAL SYSTEM</b>	<b>BOOK D</b>		
01-9	<b>Whirlamatic™ 2700 / BHS 7014</b>	<b>D</b>	<b>5.3.1</b>	<b>15</b>

Item	Ref. No.	Qty	Description
1	56014601	1	Decal, Caution
2	56015370	4	Decal, Tie Down
3	56015981	1	Decal, Control Panel
4	56016049	1	Decal, Circuit Breaker
5	56016050	1	Decal, Electrical <b>(before SN 1507059)</b>
	56016297	1	Decal, Electrical <b>(after SN 1507058)</b>
6	56016052	1	Decal, Park Brake
7	56016324	1	Decal, Charger
8	56016421	1	Decal, Logo 2 Inch
9	56025109	1	Decal, Emergency
10	56016419	2	Decal, Whirlamatic 2700
	56016420	2	Decal, BHS 7014





98-3	<b>ELECTRICAL SYSTEM</b>	<b>BOOK D</b>		
03-8	<b>Whirlamatic™ 2700 / BHS 7014</b>	<b>D</b>	<b>5.3.1</b>	<b>17</b>

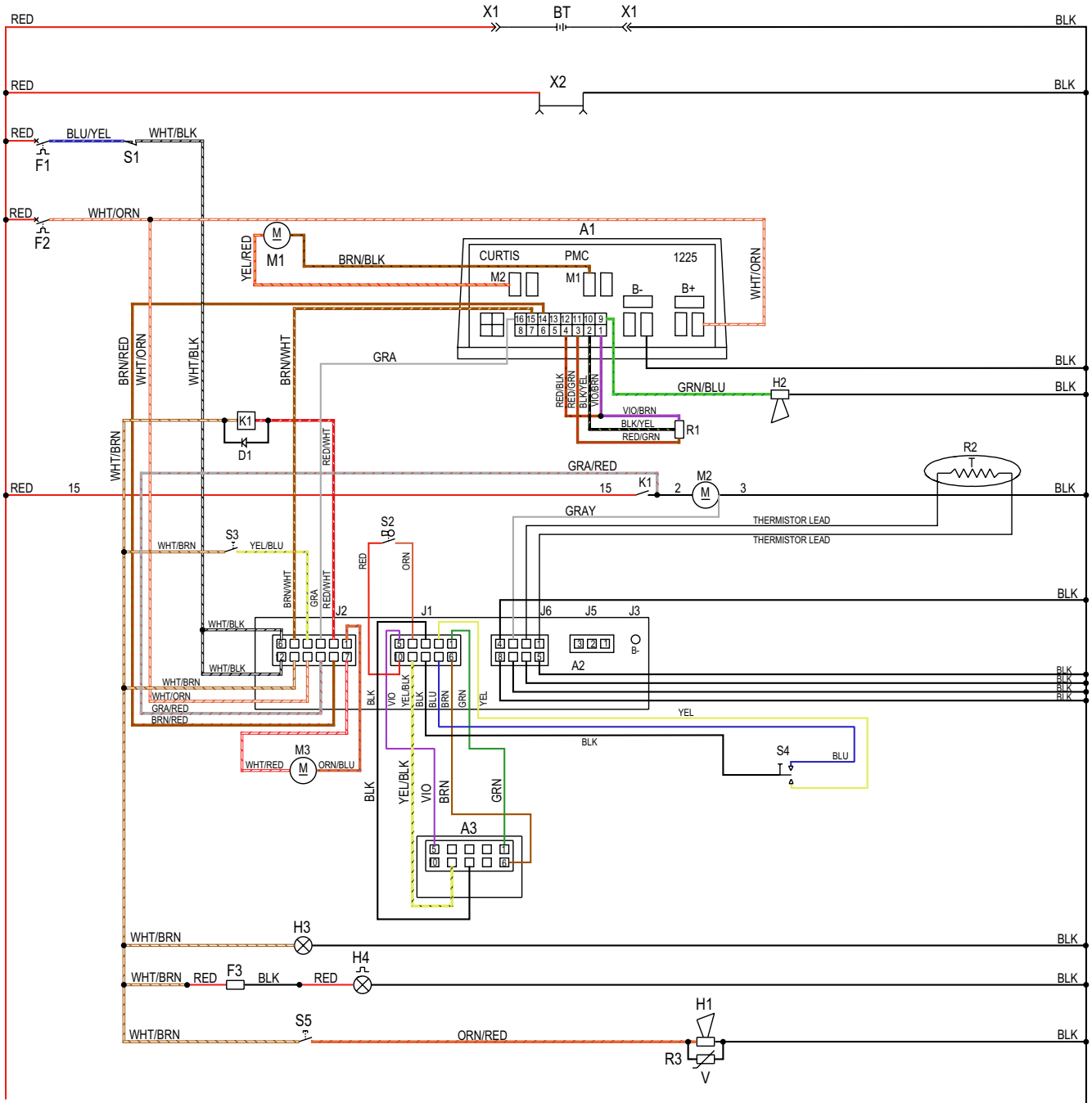
Item	Ref. No.	Qty	Description	Item	Ref. No.	Qty	Description
1	56001821	2	Scr, Hex Hd 1/4-20 x .88	*	56420137	1	Battery Exchange Kit <b>(Optional)</b>
2	56001836	9	Scr, Hex Hd 1/4-20 x .62	*	56420144	1	Back-Up Alarm Kit <b>(Optional)</b>
3	56001868	4	Scr, Pan Phil 8-32 x 1.00	*	56420123	1	Headlight Kit <b>(Optional)</b>
4	56001878	4	Scr, Hex Hd 1/4-20 x 1.25	*	56420127	1	Strobe Light Kit <b>(Optional)</b>
5	56001954	2	Wsh, Flt SAE #10	*	56409613	1	Seat Switch
6	56002035	1	Scr, Hex Hd 5/16-18 x .62	*	56420128	1	Seat Switch Wire Harness
7	56002098	2	Wsh, Flt SAE 1/4	*	56420119	1	Display Wire Harness
8	56002124	2	Scr, Pan Phil 10-24 x .62	*	56420117	1	Main Wire Harness
9	56002140	2	Wsh, Flt SAE #8	*	56420198	5	Cable, Battery <b>TSB800</b>
10	56002561	2	Nut, Hex W/Shprf 1/4-20	*	56398090	12	Terminal Clamp, Battery <b>(BHS 7014 only)</b>
11	56002667	2	Scr, Hex Hd 5/16-18 x .75	* = Not Shown			
12	56002701	3	Nut, Hex Nyl Loc 5/16-18				
13	56002708	13	Nut, Hex Nyl Loc 1/4-20				
14	56002768	2	Nut, Hex Nyl Loc 10-24				
15	56002808	4	Nut, Hex Nyl Loc 8-32				
16	56002840	2	Nut, Hex Nyl Loc-Thin 1/4-20				
17	56002865	4	Nut, Hex Nyl Loc-Thin 8-32				
18	56003039	2	Scr, Hex Hd Loc 1/4-20 x .50				
19	56003401	2	Scr, Flt Phil 8-32 x .75				
20	56009020	2	Stud				
21	56009192	1	Rivet, Push Nylon Black				
22	56152617	1	P-Clamp				
23	56302156	1	Rocker Switch <b>(Pad UP/DN)</b>				
24	56372673	12	Boot, Battery Post				
25	56387328	1	Circuit Breaker, 5 Amp <b>(Control)</b>				
26	56393781	1	Bracket, Switch				
27	56409538	2	Insulator, Terminal				
28	56420095	1	Panel				
29	56420096	1	Speed Controller, 36V				
30	56420098	1	Solenoid <b>(Pad Motor)</b>				
31	56420099	1	Cover, Electrical				
32	56420106	1	Circuit Board <b>(Display)</b>				
33	56420113	1	Switch, Key <b>(Main)</b>				
*	56420158	1	Replacement Key				
34	56420145	1	Control Box Assembly <b>TSB 754</b>				
	56420189	1	Control Box Assembly <b>(after SN 1507058)</b>				
35	56441555	1	Switch, Horn				
36	56452193	1	Circuit Breaker, 40 Amp <b>(Traction Drive)</b>				
37	56462362	1	Switch <b>(Charger Interlock)</b>				
38	56469858	2	Standoff, Insulated				
39	56477613	4	Tie, Cable				
40	56478246	12	Tie, Cable				
41	56482365	1	Horn, 36V				
42	56900753	7	Tie, Push Mount				
43	56003053	1	Nut, Hex Nyl Loc-Thin 10-32				
44	56478648	1	Angle				
45	56420197	1	Battery Connector <b>(Whirlamatic™ 2700 only)</b> <b>(connected to batteries) TSB800, TSBUS2003-852</b>				
	56420206	1	Battery Connector <b>(BHS 7014 only)</b> <b>(connected to batteries) TSBUS2003-852</b>				
46	56420136	1	Connector Assembly <b>(frame mounted) TSB800</b>				
47	56420126	1	Charger Plug Assembly				



98-3	<b>WIRING DIAGRAM (before SN 1507059)</b>	<b>BOOK D</b>		
03-8	<b>Whirlamatic™ 2700 / BHS 7014</b>	<b>D</b>	<b>5.3.1</b>	<b>19</b>

Item	Ref. No.	Qty	Description
A1	56420096	1	Speed Controller
A2	56420145	1	Control Box Assembly <b>TSB 754</b>
A3	56420106	1	Display
BT		A/R	Battery, 36V
D1		1	Diode
F1	56387328	1	Circuit Breaker, 5 Amp <b>(Control)</b>
F2	56452193	1	Circuit Breaker, 40 Amp <b>(Traction Drive)</b>
F3		1	Fuse, 2 Amp <b>(optional, included with Strobe Light Kit)</b>
H1	56482365	1	Horn
H2	56420144	1	Back-Up Alarm Kit <b>(Optional)</b>
H3	56420123	1	Headlight Kit <b>(Optional)</b>
H4	56420127	1	Strobe Light Kit <b>(Optional)</b>
K1	56420098	1	Solenoid <b>(Pad Motor)</b>
M1	56377537	1	Motor <b>(Traction Drive)</b>
*	56503026	1	Carbon Brush Set <b>(for 56377537)</b>
M2	56420010	1	Motor <b>(Pad Drive / refer to page 13 for replacement parts)</b>
M3	56393303	1	Lift Actuator <b>(Pad)</b>
*	56470433	1	Carbon Brush Set <b>(for 56393303)</b>
R1	56454740	1	Potentiometer, 5K
R2		1	Thermistor <b>(inside of cable assembly #56420124)</b>
S1	56462362	1	Switch <b>(Charger Interlock)</b>
S2	56420113	1	Switch, Key <b>(Main)</b>
*	56420158	1	Replacement Key
S3	56409613	1	Switch <b>(Seat)</b>
S4	56302156	1	Switch <b>(Pad UP/DN)</b>
S5	56441555	1	Switch <b>(Horn)</b>
X1	56420197	1	Battery Connector <b>(Whirlamatic™ 2700 only)</b> <b>(connected to batteries) TSB800, TSBUS2003-852</b>
	56420206	1	Battery Connector <b>(BHS 7014 only)</b> <b>(connected to batteries) TSBUS2003-852</b>
	56420136	1	Connector Assembly <b>(frame mounted) TSB800</b>
X2	56420126	1	Charger Plug Assembly
*	56420128	1	Seat Switch Wire Harness
*	56420119	1	Display Wire Harness
*	56420117	1	Main Wire Harness
*	56420198	5	Cable, Battery <b>TSB800</b>
*		1	Charger, 36V Auto 25 Amp <b>(not included)</b>

\* = Not Shown



98-3	<b>WIRING DIAGRAM (after SN 1507058)</b>	<b>BOOK D</b>		
03-8	<b>Whirlamatic™ 2700 / BHS 7014</b>	<b>D</b>	<b>5.3.1</b>	<b>21</b>

Item	Ref. No.	Qty	Description
A1	56420096	1	Speed Controller
A2	56420189	1	Control Box Assembly
A3	56420106	1	Display
BT		A/R	Battery, 36V
D1		1	Diode
F1	56387328	1	Circuit Breaker, 5 Amp <b>(Control)</b>
F2	56452193	1	Circuit Breaker, 40 Amp <b>(Traction Drive)</b>
F3		1	Fuse, 1.5 Amp <b>(optional, included with Strobe Light Kit)</b>
H1	56482365	1	Horn
H2	56420144	1	Back-Up Alarm Kit <b>(Optional)</b>
H3	56420123	1	Headlight Kit <b>(Optional)</b>
H4	56420127	1	Strobe Light Kit <b>(Optional)</b>
K1	56420098	1	Solenoid <b>(Pad Motor)</b>
M1	56377537	1	Motor <b>(Traction Drive)</b>
*	56503026	1	Carbon Brush Set <b>(for 56377537)</b>
M2	56420010	1	Motor <b>(Pad Drive / refer to page 13 for replacement parts)</b>
M3	56393303	1	Lift Actuator <b>(Pad)</b>
*	56470433	1	Carbon Brush Set <b>(for 56393303)</b>
R1	56454740	1	Potentiometer, 5K
R2		1	Thermistor <b>(inside of cable assembly #56420190)</b>
R3		1	Varistor
S1	56462362	1	Switch <b>(Charger Interlock)</b>
S2	56420113	1	Switch, Key <b>(Main)</b>
*	56420158	1	Replacement Key
S3	56409613	1	Switch <b>(Seat)</b>
S4	56302156	1	Switch <b>(Pad UP/DN)</b>
S5	56441555	1	Switch <b>(Horn)</b>
X1	56420197	1	Battery Connector <b>(Whirlamatic™ 2700 only)</b> <b>(connected to batteries) TSB800, TSBUS2003-852</b>
	56420206	1	Battery Connector <b>(BHS 7014 only)</b> <b>(connected to batteries) TSBUS2003-852</b>
	56420136	1	Connector Assembly <b>(frame mounted) TSB800</b>
X2	56420126	1	Charger Plug Assembly
*	56420128	1	Seat Switch Wire Harness
*	56420119	1	Display Wire Harness
*	56420117	1	Main Wire Harness
*	56420198	5	Cable, Battery <b>TSB800</b>
*		1	Charger, 36V Auto 25 Amp <b>(not included)</b>

\* = Not Shown

Ref. No.	Description
56420089	Wheel
56454740	Potentiometer, 5K
56420045	Wheel
56444308	Pillow Block, Bearing
56391310	Drive Chain
56420023	V-Belt
56479430	Bearing, Ball
56385238	Cylinder, Gas
56420203	Dust Shroud
56420024	Skirt Assembly
56420120	Pad Retainer
56391185	Dust Collection Bag (pkg. of 6)
56420098	Solenoid (Pad Motor)
56302156	Switch (Pad UP/DN)
56420113	Switch, Key (Main)
56420158	Replacement Key
56462362	Switch (Charger Interlock)
56409613	Switch (Seat)

---

**Austria (Sales Sub)**

Nilfisk-Advance GmbH Phone: +43  
Voralberger Allee 46 1616 58 30 22  
A-1230 Wien Fax: +43  
[info@nilfisk-advance.at](mailto:info@nilfisk-advance.at) 1616 58 30 40  
[www.nilfisk-advance.at](http://www.nilfisk-advance.at)

---

**Belgium (Sales Sub)**

Nilfisk-Advance NV/SA Phone: +32  
Doornveld Sphere Business Park (0)2467 60 50  
Industrie Asse 3, No. 11 Fax: +32  
B-1731 Zellik-Asse (0)2463 44 16  
[www.nilfisk-advance.be](http://www.nilfisk-advance.be)

---

**Czech Republic (Sales Sub)**

Nilfisk-Advance s.r.o. Phone: +420  
Lysinská 44/1863 2 44 09 09 12  
143 00 Praha - Modrany +420  
Czech Republic 2 44 09 09 21 4  
Fax: +420  
2 44 40 23 93

---

**Denmark**

Nilfisk-Advance A/S Phone: +45  
Sognevej 25 43 23 81 00  
DK-2605 Brøndby Fax: +45  
[mail@nilfisk-advance.dk](mailto:mail@nilfisk-advance.dk) 43 43 77 00  
[www.nilfisk-advance.com](http://www.nilfisk-advance.com)

---

**Denmark (Prod. Sub)**

Gerni A/S Phone: +45  
Myntevej 2 89 12 22 00  
DK-8900 Randers Fax: +45  
[www.gerni.com](http://www.gerni.com) 86 43 14 81

---

**Denmark (Sales Sub)**

Nilfisk-Advance Nordic A/S Phone: +45  
Sognevej 25A 43 23 40 50  
Postbox 344 Fax: +45  
DK-2605 Brøndby 43 23 40 60  
[kundeservice@nilfisk-advance.dk](mailto:kundeservice@nilfisk-advance.dk)  
[www.nilfisk-advance.dk](http://www.nilfisk-advance.dk)

---

**France (Sales Sub)**

Nilfisk-Advance S.A. Phone: +33  
27 avenue de la Baltique 1695 98 700  
Villebon sur Yvette Fax: +33  
P.B. 246 1695 98 701  
F-91944 Courtaboeuf Cedex  
[info@nilfisk-advance.fr](mailto:info@nilfisk-advance.fr)  
[www.nilfisk-advance.fr](http://www.nilfisk-advance.fr)

---

**Germany (Sales Sub)**

Nilfisk-Advance AG Phone: +49  
Siemensstrasse 25-27 4101 3990  
Postfach 1361 Fax: +49  
D-25462 Rellingen 4101 39 91 91  
[info@nilfisk-advance.de](mailto:info@nilfisk-advance.de)  
[www.nilfisk-advance.de](http://www.nilfisk-advance.de)

---

**Greece (Sales Sub)**

Nilfisk-Advance A.E. Tel.: +30  
8, Thoukididou Str. 210 963 3443  
Argioupoli Fax: +30  
Gr - 164 52 Athens 210 965 0975  
Greece

---

**Holland (Sales Sub)**

Nilfisk-Advance B.V. Phone: +31  
Camerastraat 9 (2e verdieping) 36 546 07 00  
1322 BB Almere Fax: +31  
Postbus 60112 36 523 51 48  
1320 AC Almere  
[www.nilfisk-advance.nl](http://www.nilfisk-advance.nl)

---

**Ireland (Sales Sub)**

Nilfisk-Advance Limited Phone: +35  
28 Sandyford Office Park 3 12 94 38 38  
Sandyford, Dublin 18 Fax: +35  
Ireland 3 12 94 38 45

---

**Italy (Prod & Sales Sub)**

CFM SpA Phone: +39  
Nilfisk-Advance Div. Guardamiglio 0377 /414021  
Localita Novella III /45 1124  
I-26862 Guardamiglio (Mi) Fax: +39  
0377 51 443

---

**Italy (Prod & Sales Sub)**

CFM S.p.A. Phone: +39  
Via Porrettana 1991 059 973 0000  
I-41059 Zocca (Modena) Fax: +39  
[cfm@cfm.it](mailto:cfm@cfm.it) 059 973 0099

---

**Norway (Sales Sub)**

Nilfisk-Advance AS Phone: +47  
Ulvenveien 89C 23 06 75 00  
N-0581 Oslo Fax: +47  
23 06 75 01

---

**Poland (Sales Sub)**

Nilfisk-Advance Sp.Z.O.O. Phone: +48  
05-800 Pruszków 22 738 37 50  
ul. 3-go MAJA 8 Fax: +48  
Poland 22 738 37 51

---

**Portugal (Sales Sub)**

Nilfisk-Advance, Lda. Phone: +35  
Sintra Business Park 121 911 2670  
Zona Industrial Da Abrunheira Fax: +35  
Edificio 1, 1o A 121 911 2679  
P-2710-089 Sintra

---

**Russia (Sales Sub)**

Nilfisk-Advance LLC Phone: 7  
Vyatskaya str. 27, bld. 7 095 783 9602  
127015 Moscow Fax: +7  
Russia 095 783 9603

---

**Spain (Sales Sub)**

Nilfisk-Advance S.A. Phone: +34  
Torre D'Ara 93 741 2400  
Passeig del Rengle, 5 Pl.10 Fax: +34  
E-08302 Mataró (Barcelona) 93 757 8020  
[nilfisk@nilfisk-advance.es](mailto:nilfisk@nilfisk-advance.es)

---

**Sweden (Sales Sub)**

Nilfisk -Advance A/S Phone: +46  
Sjöbjörnsvägen 5 8555 94400  
Box 44045 Fax: +46  
S-100 73 Stockholm 8555 94430  
[info@nilfisk-advance.se](mailto:info@nilfisk-advance.se)  
[www.nilfisk-advance.se](http://www.nilfisk-advance.se)

---



---

**Sweden (Prod.)**

Nilfisk-Advance A/S	Phone: +46
Åmål Branch	5321 7500
Strömsbergsgatan	Fax: +46
Box 127	5321 7595
S-662 23 Åmål	

---

**Switzerland (Sales Sub)**

Nilfisk-Advance AG	Phone: +41
Ringsstrasse 19	71 92 38 444
Kirchberg/Industrie Stelzl	Fax: +41
CH-9500 Wil	71 92 35 283

[www.nilfisk-advance.ch](http://www.nilfisk-advance.ch)

---

**UK (Sales Sub)**

Nilfisk-Advance Limited	Phone: +44
Newmarket Road	1284 763163
Bury St. Edmunds	Fax: +44
UK-Suffolk IP33 3SR	1284 750 562

---

**USA (Prod.)**

Nilfisk-Advance Inc.	Phone: +1 763
14600 21.st Avenue North	745 3500
Plymouth, MN 55447-3408	Fax: +1 763
<a href="http://www.mn.nilfisk-advance.com">www.mn.nilfisk-advance.com</a>	745 3718

---

**USA (Sales Sub)**

Nilfisk-Advance America Inc.	Phone: +1 610
300 Technology Drive	647 6420
Malvern, PA 19355	Fax: +1 610
<a href="http://www.pa.nilfisk-advance.com">www.pa.nilfisk-advance.com</a>	647 6427

---

**Canada (Sales Sub)**

Nilfisk-Advance Canada Comp.	Phone: +1 905
396 Watline Avenue	712 3260
Mississauga, Ontario L4Z 1X2	Fax: +1 905
	712 3255

---

**Australia (Sales Sub)**

Nilfisk-Advance Pty. Ltd.	Phone: +61(0)2
48 Egerton Street	9648 2700
Silverwater, NSW 2128	Fax: +61(0)2
<i>Postal adresse:</i>	9648 2711
PO Box 6046	
Silverwater. NSW 1811	
<a href="mailto:info@nilfisk-advance.com.au">info@nilfisk-advance.com.au</a>	
<a href="http://www.nilfisk-advance.com.au">www.nilfisk-advance.com.au</a>	

---

**China (Shenzhen)**

Nilfisk-Advance (Shenzhen) Ltd	Phone: +86 755
Blok 3, Unit 130, 1001 Honghua Road	8359 7937 el.
Int. Commercial & Trade Center	8359 7939-42
Fuitian Free Trade Zone	Fax: +86 755
518038 <b>Shenzhen</b>	8359 1063
P.R. China	

---

**China (Suzhou)**

Nilfisk-Advance Professional	Phone: +86 512
Cleaning Equipment (Suzhou) Co. Ltd.	8918 5656
306 Su Hong Zhong Road, Build. 2	Fax: +86 512
Suzhou Industrial Park	8918 5666
215021 <b>Suzhou</b>	
P.R. China	

---

---

**Hong Kong (Sales Sub)**

Nilfisk-Advance Ltd.	Phone: +852
2001 HK Worsted Mills Ind'l Bldg.,	2427 5951
31-39 Wo Tong Tsui St.	Fax: +852
Kwai Chung, Hong Kong	2487 5828

---

**Japan (Sales Sub)**

Nilfisk-Advance Inc.	Phone: +8145
3-17-40-101 Chigasaki Higashi	942 7741
Tsuzuki-ku, Yokohama 224-0033	Fax: +8145
Japan	942 6545

---

**Malaysia (Sales Sub)**

Nilfisk-Advance Sdn Bhd	Phone: +60 3
No. 21, Jalan SS 25/41	7956 8188
Mayang Industrial Park	Fax: +60 3
47301 Petaling Jaya	7966 6828
Selangor, Malaysia	

---

**New Zealand (Sales Sub)**

Nilfisk-Advance Limited	Phone: +64(0)9
Danish House	525 0092
6 Rockridge Avenue	Fax: +64(0)9
Penrose 92-829	525 6440
Auckland1135	
<i>Postal adresse:</i>	
Private Bag 92 825	
Auckland	
New Zealand	

---

**Singapore (Sales Sub)**

Nilfisk-Advance Pte. Ltd.	Phone: + 65
22,Woodlands Industrial Park E1	6 7599100
Singapore 757740	Fax: +65
<a href="mailto:sales@nilfisk-advance.com.sg">sales@nilfisk-advance.com.sg</a>	7599133

---

**Taiwan, ROC (Sales Sub)**

Nilfisk-Advance Ltd.	Phone: +886
Taiwan Branch (H.K.)	2 2239 8812
1F, No. 193, Sec.2	Fax: +886
Xing Long Rd., Taipei	2 2239 8832
Taiwan, R.O.C.	

---

**Thailand (Sales Sub)**

Nilfisk-Advance Co. Ltd.	Phone: +66 2
89 Soi Chokechai-Ruammitr	275-5630
Viphavadee-Rangsit Road	Fax: +66 2
Ladyao, Jatuchak, Bangkok 10900	691-4079
Thailand	

