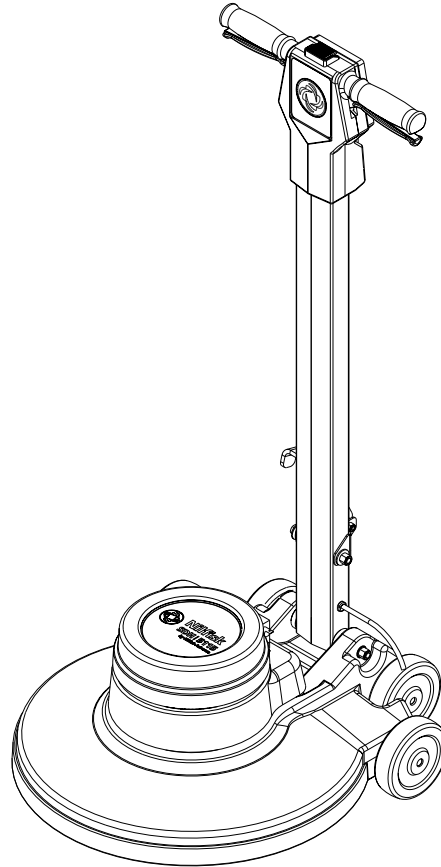


SDH 5115

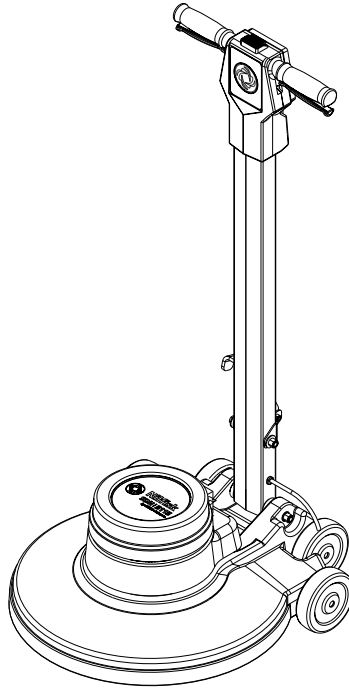


PARTS LIST **Nilfisk MODEL 56201956**



Nilfisk
Advance
setting standards

1/00 revised 10/03 FORM NO. 56042408
BOOK D - SECTION 3.3.1

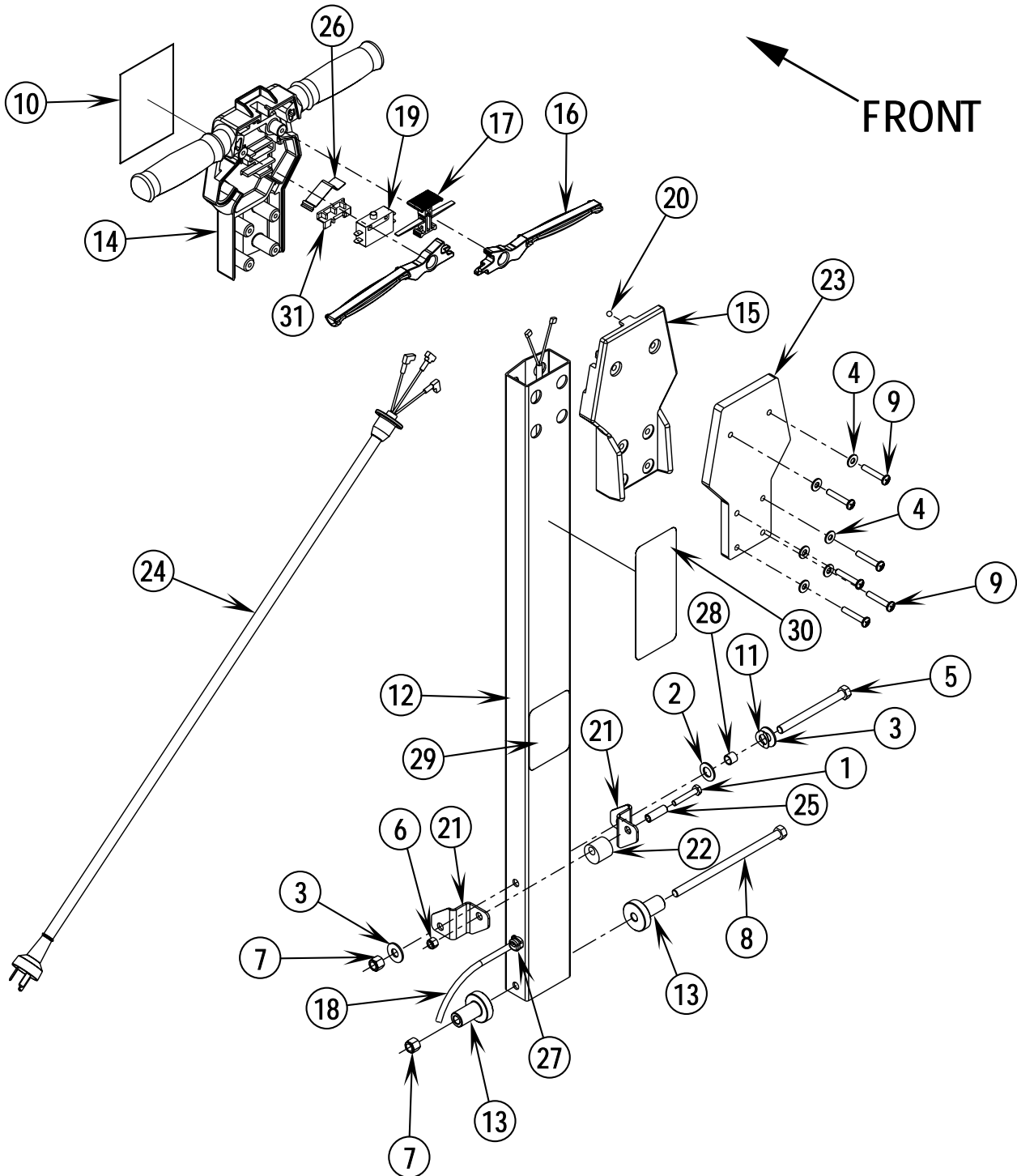
**DESCRIPTION****PLAN**

| | |
|------------------------------------|-----------|
| HANDLE SYSTEM | D-3.3.1-5 |
| BASE SYSTEM / WIRING DIAGRAM | D-3.3.1-7 |

WHEN ORDERING PARTS

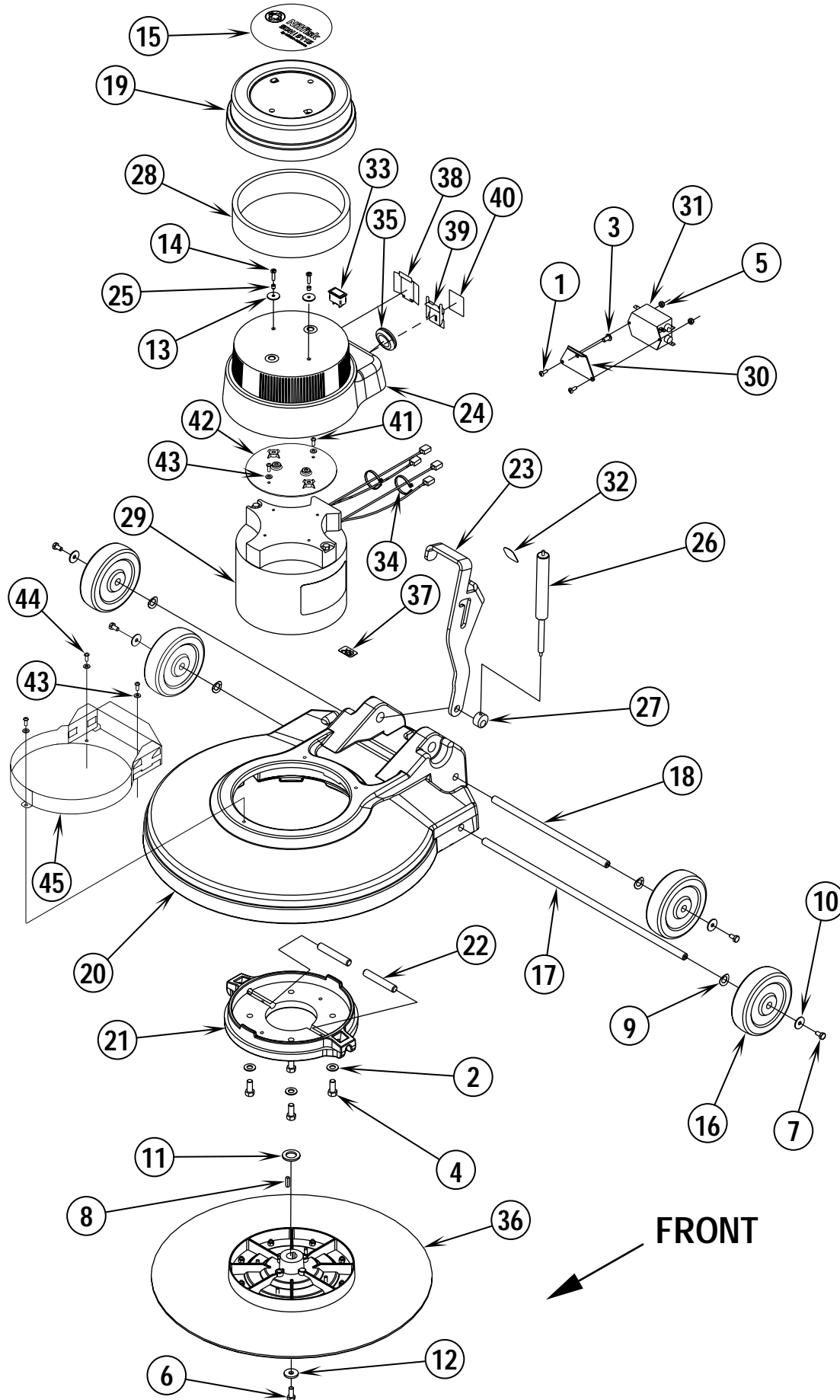
- * Use the 8 digit numbers from the "Ref. No." columns in this parts list.
- * Specify the model and serial number of the machine.
- * Use the space below to record the model and serial number for future reference.

Model _____ Serial No. _____



| | | | | |
|-------|----------------------|---------------|--------------|----------|
| 00-1 | HANDLE SYSTEM | BOOK D | | |
| 03-10 | SDH 5115 | D | 3.3.1 | 5 |

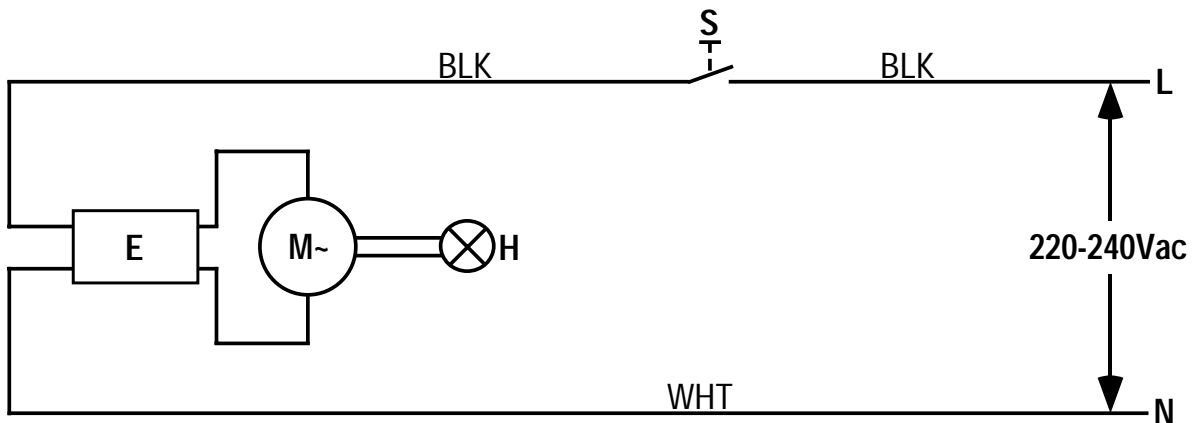
| Item | Ref. No. | Qty | Description |
|------|----------|-----|--|
| 1 | 56001833 | 1 | Scr, Hex Hd 1/4-20 x 1.50 |
| 2 | 56009003 | 1 | Wsh, Flt 1/2 |
| 3 | 56002055 | 2 | Wsh, Flt STD 3/8 |
| 4 | 56002098 | 6 | Wsh, Flt SAE 1/4 (before SN 1402031) |
| 5 | 56009241 | 1 | Scr, Hex Hd 3/8-16 x 4.25 |
| 6 | 56002708 | 1 | Nut, Hex Nyl Loc 1/4-20 |
| 7 | 56002769 | 2 | Nut, Hex Nyl Loc 3/8-16 |
| 8 | 56002777 | 1 | Scr, Hex Hd 3/8-16 x 7.00 |
| 9 | 56002786 | 6 | Scr, Pan Phil 1/4-20 x 1.50 (before SN 1402031) |
| | 56002108 | 6 | Scr, Pan Phil 1/4-20 x 2.00 (after SN 1402030) |
| 10 | 56016426 | 1 | Decal, Logo |
| 11 | 56009001 | 1 | Wsh, Bowed .51 x .90 x .008 |
| 12 | 56201587 | 1 | Handle Tube (before SN 1402031) |
| | 56201510 | 1 | Handle Tube (after SN 1402030) |
| 13 | 56201016 | 2 | Bushing |
| 14 | 56201560 | 1 | Handle |
| 15 | 56201058 | 1 | Handle Cover |
| 16 | 56201027 | 2 | Handle Lever |
| 17 | 56201031 | 1 | Button, Lock |
| 18 | 56201574 | 1 | Cord Assembly 14/3 |
| 19 | 56201648 | 1 | Switch, N.O. DPDT Snap TSBUS2003-857 |
| 20 | 56201592 | 1 | Ball |
| 21 | 56201523 | 2 | Bracket |
| 22 | 56201525 | 1 | Mount, Cylinder |
| 23 | 56201526 | 1 | Weight, Handle (before SN 1402031) |
| | 56201507 | 1 | Weight, Handle (after SN 1402030) |
| 24 | 56201573 | 1 | Power Cord |
| 25 | 56201531 | 1 | Bushing |
| 26 | 56263648 | 1 | Spring, Plate |
| 27 | 56201596 | 1 | Strain Relief |
| 28 | 56388326 | 1 | Bushing |
| 29 | 56016064 | 1 | Decal, Latch |
| 30 | 56014828 | 1 | Decal, Warning |
| 31 | 56201647 | 1 | Spacer, Plastic TSBUS2003-857 |



| Item | Ref. No. | Qty | Description | Item | Ref. No. | Qty | Description |
|------|----------|-----|-------------------------------------|------|----------|-----|---|
| 1 | 56001993 | 1 | Scr, Pan Phil 10-24 x .50 | 29 | 56330938 | 1 | Motor 230V, 1500RPM, 1.5HP |
| 2 | 56002063 | 4 | Wsh, Flt SAE 3/8 | * | 56201580 | 1 | Armature Assy. W/Brg's |
| 3 | 56002145 | 1 | Scr, Pan Phil 1/4-20 x .50 | * | 56183016 | 1 | Bracket Commutator |
| 4 | 56002271 | 4 | Scr, Hex Hd 3/8-16 x .88 | * | 56201581 | 1 | Brush Board Assy.(includes brushes, springs, detectors, varistor & leads) |
| 5 | 56002832 | 2 | Nut, Hex Nyl Loc-Thin 10-24 | | | | |
| 6 | 56002956 | 1 | Scr, Hex Hd Loc 5/16-18 x .75 | * | 56183569 | 1 | Spring (qty of 4 required per motor) |
| 7 | 56003039 | 4 | Scr, Hex Hd Loc 1/4-20 x .50 | * | 56201582 | 1 | Brush Assy. (qty of 4 required per motor) |
| 8 | 56003238 | 1 | Key, SQ .19 x .78 | * | 56183583 | 1 | End Bell Shaft End |
| 9 | 56009001 | 4 | Wsh, Bowed .516 x .906 x .008 | * | 56372773 | 1 | Bearing – Shaft End |
| 10 | 56009002 | 4 | Wsh, flt .266 x .906 x .060 | * | 56378380 | 1 | Bearing – Top End |
| 11 | 56009022 | 1 | Wsh, Flt .754 x 1.250 x .120 | * | 56180163 | 1 | Rectifier |
| 12 | 56009057 | 1 | Wsh, Flt Harden .344 x 1.00 x .120 | 30 | 56201556 | 1 | Bracket |
| 13 | 56009096 | 2 | Wsh, Flt .193 x .875 x .060 | 31 | 56201557 | 1 | Filter, RFI |
| 14 | 56009209 | 2 | Scr, Pan Phil Thd Form 10-24 x 1.00 | 32 | 56201572 | 1 | Grip Surface |
| 15 | 56016561 | 1 | Decal, Cover SDH 5115 | 33 | 56755578 | 1 | Indicator Light 220-240V |
| 16 | 56201018 | 4 | Wheel 5.00 x 1.50 | 34 | 56478246 | 2 | Cable Tie |
| 17 | 56201088 | 1 | Axle | 35 | 56486116 | 1 | Grommet (before SN1436128) |
| 18 | 56201089 | 1 | Axle | 36 | 56201534 | 1 | Pad Holder Assy. |
| 19 | 56201321 | 1 | Cover, Motor | 37 | 56015914 | 1 | Decal, Brush Wear Indicator |
| 20 | 56201512 | 1 | Base Housing | 38 | 56201540 | 1 | Cover, Double Insulator NOTE |
| 21 | 56201513 | 1 | Cup | 39 | 56201544 | 1 | Plug, Double Insulator NOTE |
| 22 | 56201515 | 2 | Pin | 40 | 56015000 | 1 | Decal, Plug NOTE |
| 23 | 56201516 | 1 | Latch | 41 | 56009029 | 2 | Scr, Pan Phil Thd Form 10-24 x .50 NOTE |
| 24 | 56201519 | 1 | Shroud | 42 | 56201583 | 1 | Spacer, Insulator NOTE |
| 25 | 56201521 | 2 | Bushing | 43 | 56001954 | 5 | Wsh, Flt SAE #10 NOTE |
| 26 | 56201522 | 1 | Spring, Gas | 44 | 56009191 | 3 | Scr, Pan Phil Plastite 10-14 x .50 NOTE |
| 27 | 56201524 | 1 | End Fitting | 45 | 56201536 | 1 | Ring, Insulator NOTE |
| 28 | 56201528 | 1 | Filter | ** | 56388354 | 1 | Pad, Burnishing 20" (case of 5) |
| | | | | ** | 56505551 | 1 | Union Mix Brush, Burnishing 20" |
| | | | | ** | 56505550 | 1 | Tampico Brush, Burnishing 20" |

* = Not Shown

** = Not Included

NOTE: These parts are only used after SN1436127.

| Item | Ref. No. | Qty | Description | Item | Ref. No. | Qty | Description |
|------|----------|-----|---|------|---|-----|---|
| S | 56201648 | 1 | Switch DPDT, NO TSBUS2003-857 | ** | 56183569 | 1 | Spring (qty of 4 required per motor) |
| H | 56755578 | 1 | Brush Wear Indicator Light 220-240V | ** | 56201582 | 1 | Brush Assy. (qty of 4 required per motor) |
| E | 56201557 | 1 | Filter, RFI | ** | 56183583 | 1 | End Bell Shaft End |
| M | 56330938 | 1 | Motor 230V, 1500RPM, 1.5HP | ** | 56372773 | 1 | Bearing – Shaft End |
| ** | 56201580 | 1 | Armature Assy. W/Brg's | ** | 56378380 | 1 | Bearing – Top End |
| ** | 56183016 | 1 | Bracket Commutator | ** | 56180163 | 1 | Rectifier |
| ** | 56201581 | 1 | Brush Board Assy.(includes brushes, springs, detectors, varistor & leads) | ** = | Optional replacement parts for 56330938 | | |

DANMARK

Nilfisk-Advance Nordic A/S
Sognevej 25 - Box 344
DK-2605 Broendby
☎ 43 23 83 50 – Fax 43 42 15 95

NORGE

Nilfisk-Advance AS
Enebakkvn, 119, 0680 Oslo, Postboks 196, Manglerud,
0612 Oslo
☎ 22 08 63 50 – Fax 22 08 63 63
Distriktsrepresentanter over hele landet

SVERIGE

Nilfisk-Advance AB
Sjöbjörnsvägen 5, 117 67 Stockholm
☎ 085 55 944 00 – Fax 085 55 944 30

FINLAND/ SUOMI

BERNER Ltd. Facotek Department
Etäleranta 4B, 00130 Helsinki
☎ +358 9 1345 1382

AUSTRALIA

Nilfisk-Advance Pty. Ltd.
48 Egerton Street
Silverwater NSW 2128
☎ (02) 8748 5905 – Fax (02) 9648 2711
Customer Responce Centre:
☎ 1 800 011 013

BELGIQUE / BELGIË/ LUXEMBOURG

Nilfisk-Advance s.a./n.v.
Doornveld/ Sphere Business Park
Industrie Asse 3, nr 11 – bus 41
1731 Zellik-Asse
☎ (02) 467.60.50 Fax (02) 463.44.16

CANADA

Nilfisk-Advance Ltd.
396 Watline Avenue
Mississauga, Ontario L4Z 1X
☎ (905) 712-3260 – Fax (905) 712-3255

DEUTSCHLAND

Nilfisk-Advance AG
Siemensstraße 25-27
25462 Rellingen
☎ (041 01) 3990 – Fax (04101) 399191
Zentraler Kundenservice
☎ für die Industrie: 0180 535 67 97
☎ Institutionen und Gebäudereiniger: 0180 500 11 70

FRANCE

Nilfisk-Advance S.A.
BP 246
91944 Courtaboeuf Cedex
☎ (01) 69.59.87.00 Télécopie (01) 69.59.87.01

HONG KONG

Nilfisk-Advance Ltd.
2001, 20/F HK Worsted Mills
Industrial Building
31-39 Wo Tong Tsui Street
Kwai Chung, N.T.
☎ 2427 59 51 – Fax 2487 5828

IRELAND

Nilfisk-Advance Ltd.
28 Sandford Office Park
Dublin 18
☎ +353 1 2943838 – Fax +353 1 2943845

JAPAN

Nilfisk-Advance Inc.
3-4-9 Chigasaki Minami
Tsuzuki-Ku Yokohama 224 0037
☎ 045-942-7741 – Fax 045-942-6545

MALAYSIA

Nilfisk-Advance Sdn Bhd
Lot 2, 1st. Floor
Lorong 19/1A
46300 Petaling Jaya
Selangor Darul Ehsan
☎ 03-7568188/03-7568189/03-7568388 – Fax 03-7566828

NEDERLAND

Nilfisk-Advance B.V.
Flevolaan 7, Postbus 341
1380 AH Weesp
☎ 0294-462121 – Fax 0294-430053

NEW ZEALAND

Nilfisk-Advance Limited
477 Great South Road, Penrose
Auckland
☎ (09) 525 0092 – Fax (09) 525 6440

SCHWEIZ / SUISSE

Nilfisk-Advance AG
Ringstrasse 19, 9533 Kirchberg/Wil
☎ 719 23 52 83 – Fax 719 23 84 44

SINGAPORE

Nilfisk-Advance Pte. Ltd.
22, Woodlands Industrial Park E1
Singapore 757740
☎ (65) 759 9100 – Fax (65) 759 9133

TAIWAN

Nilfisk-Advance Ltd.
1 F, No.23, Lane 132, Sec. 2
Ta An Road, Taipei
☎ 700 22 68 – Fax 784 08 43

UNITED KINGDOM

Nilfisk-Advance Limited
Newmarket Road
Bury St. Edmunds
Suffolk IP 33 3SR
☎ (01284) 763163 – Fax (01284) 750562

USA

Nilfisk-Advance Inc.
14600 21st Avenue North
Plymouth, MN 55447-3408
☎ +1 800 989 2235 – Fax 1 800 989 6566

Nilfisk-Advance of America, Inc.
300 Technology Drive
Malvern, PA 19355
☎ (610) 647 647-6427

ÖSTERREICH

Nilfisk-Advance GmbH
Vorarlberg Allee 46
1230 Wien
☎ 1 616 58 30 – Fax 1 616 58 30 40

ESPAÑA

Nilfisk-Advance, S.A.
Torre D'Ara
Passeig del Rengle, 5 Pl.9-10
E-08302 – Mataró (Barcelona)
☎ Tel. 93 741 24 00 – Fax: 93 757 80 20
Central atención al cliente: 902 200 201
nilfisk@nilfisk-advance.es – www.nilfisk-advance.com
Distribuidores y Servicio Técnico en toda España y Andorra

ITALIA

Nilfisk-Advance Italia Spa
Località Novella Terza
26862 Guardamiglio (LO)
Italy
☎ +39 0377 414067-54 – Fax +39 0377 414097
www.nilfisk-advance.com

PORTUGAL

Nilfisk-Advance Lda.
Rua Cândido de Figueiredo, 91-i, 1500-133 LISBOA
☎ 01/7784142 – Fax 01/7785613
Porto 02/526766 – Fax 02/520739
Açores 096/628092/3 – Fax 096/628129
Madeira 091/228965 – Fax 091/228796

GREECE

Embiom S.A.
Λεωφ. Βουλιαγμένης 60
Αργυρούπολη
164 52 Αθήνα
☎ 9950613 - Fax 9951680

