



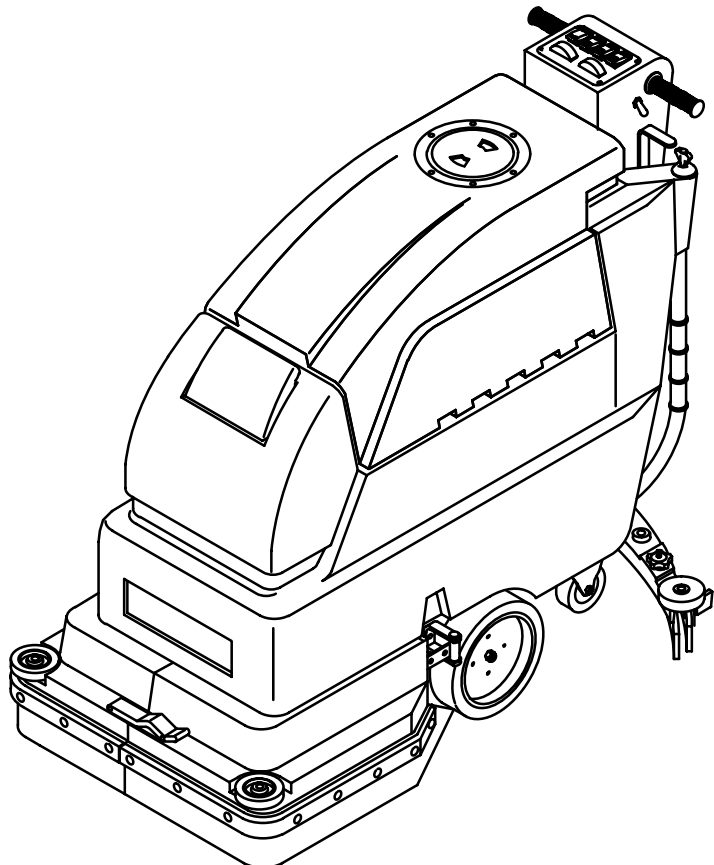
Speed Scrub™ 2401/2601

Automatic Scrubber
Fregadora Automática

Model No.:

- 612215 – 2401
- 612216 – 2401 Pac
- 612100 – 2401 Can. Pac
- 612217 – 2601
- 612219 – 2601 Pac
- 612496 – 2601 Can. Pac

**Operator and Parts Manual
Manual del Operador y Piezas**

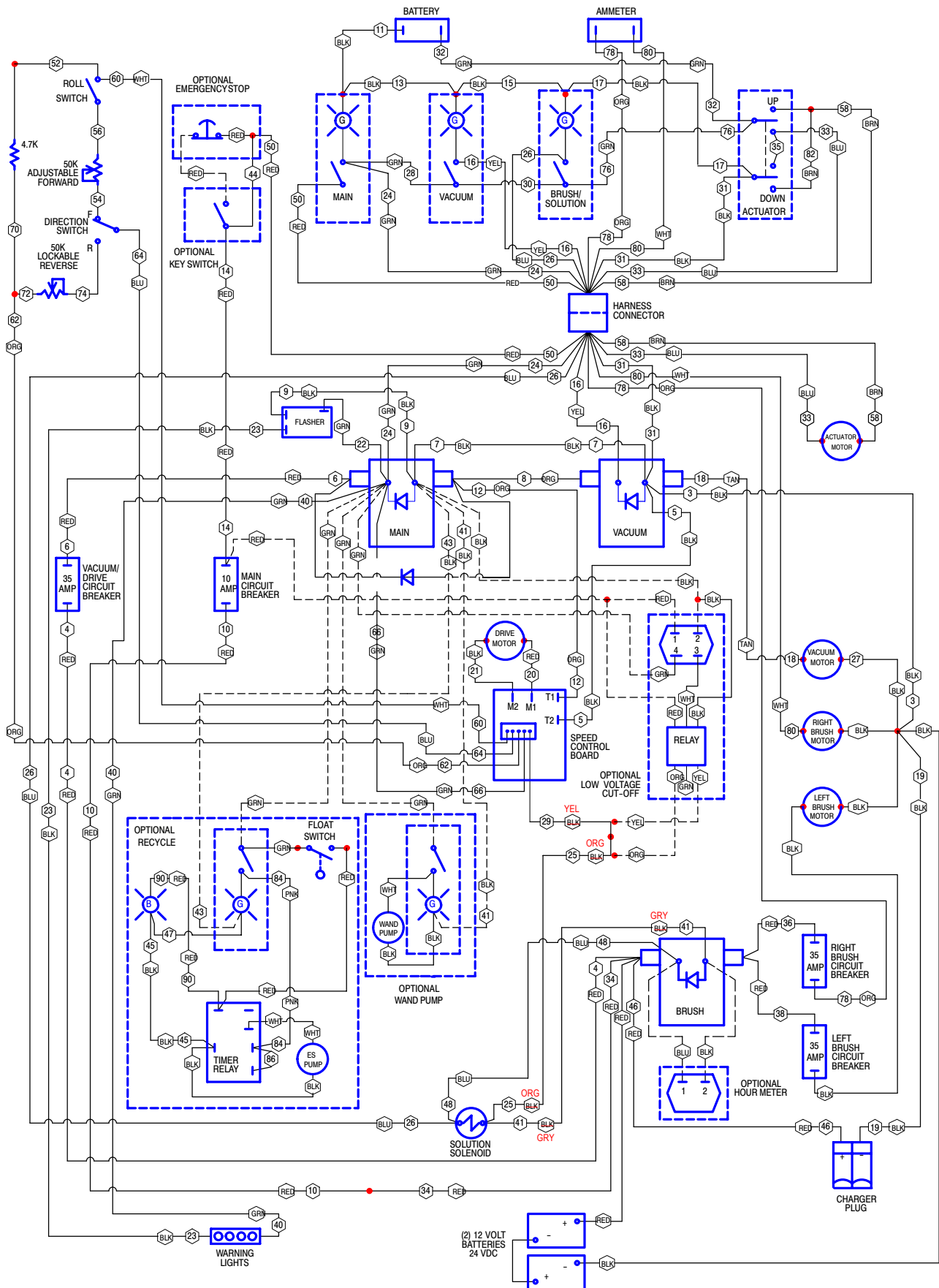


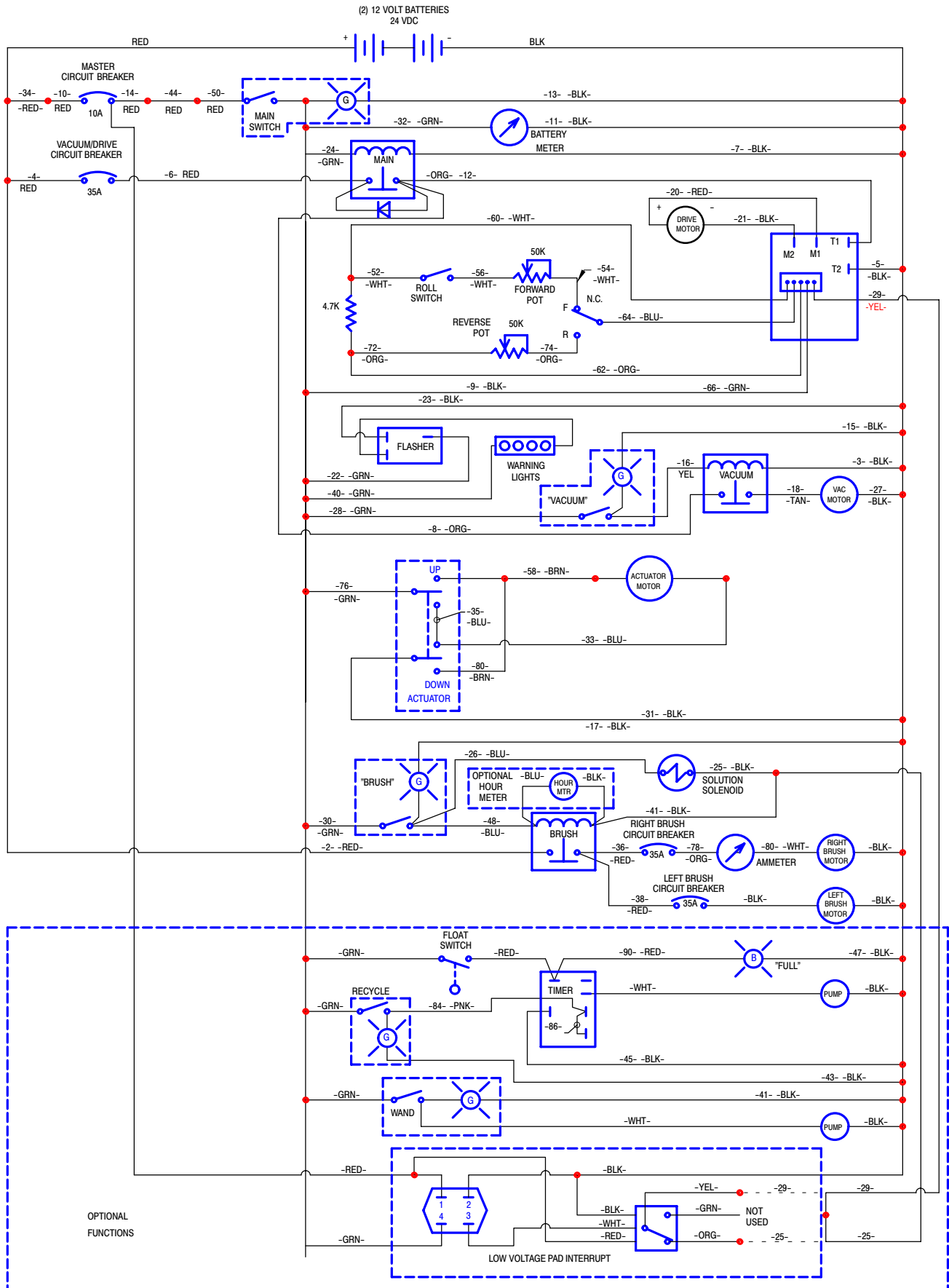
NOBLES
12875 RANSOM STREET
HOLLAND MI 49424 U.S.A.

**CUSTOMER SERVICE: 1-800-365-6625
FAX: 1-800-678-4240**

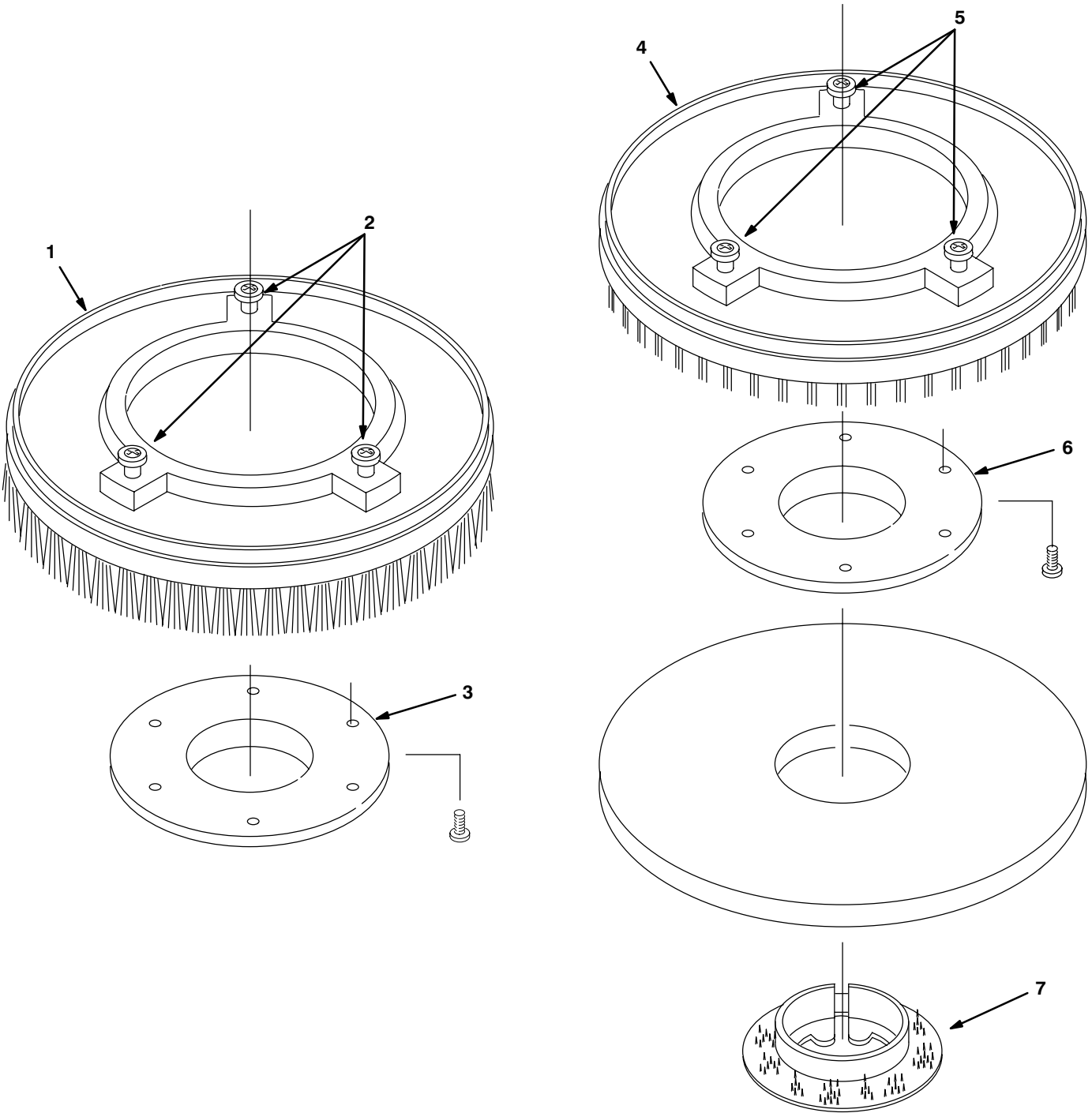
**612815
Rev. 00 (09-01)**

ELECTRICAL DIAGRAMS DIAGRAMAS ELECTRICAS





REPLACEMENT BRUSHES AND PAD DRIVER GROUP
CEPILLO DEL REEMPLAZO Y GRUPO DEL MANDO DE LA ALMOHADILLA



REPLACEMENT BRUSHES AND PAD DRIVER GROUP
CEPILLO DEL REEMPLAZO Y GRUPO DEL MANDO DE LA ALMOHADILLA

REF	PART #	DESCRIPTION	QTY.
▽ 1	240260	●BRUSH, POLY-SCRUB 2/PK 305MM (12")	2
	603159	●BRUSH, POLY-SCRUB 2/PK 330MM (13")	2
	240261	●BRUSH, DYNA-SCRUB 2/PK 305MM (12")	2
	603160	●BRUSH, DYNA-SCRUB 2/PK 330MM (13")	2
	240259	●BRUSH, STRATA SCRUB/STRIP 2/PK 305MM (12")	2
	603161	●BRUSH, STRATA SCRUB/STRIP 2/PK 330MM (13")	2
▲ 2	240238	●LUGS, W/ SCREWS (SET OF 3)	6
▲ 3	100106	●PLATE, PAD DRIVER BASE	2

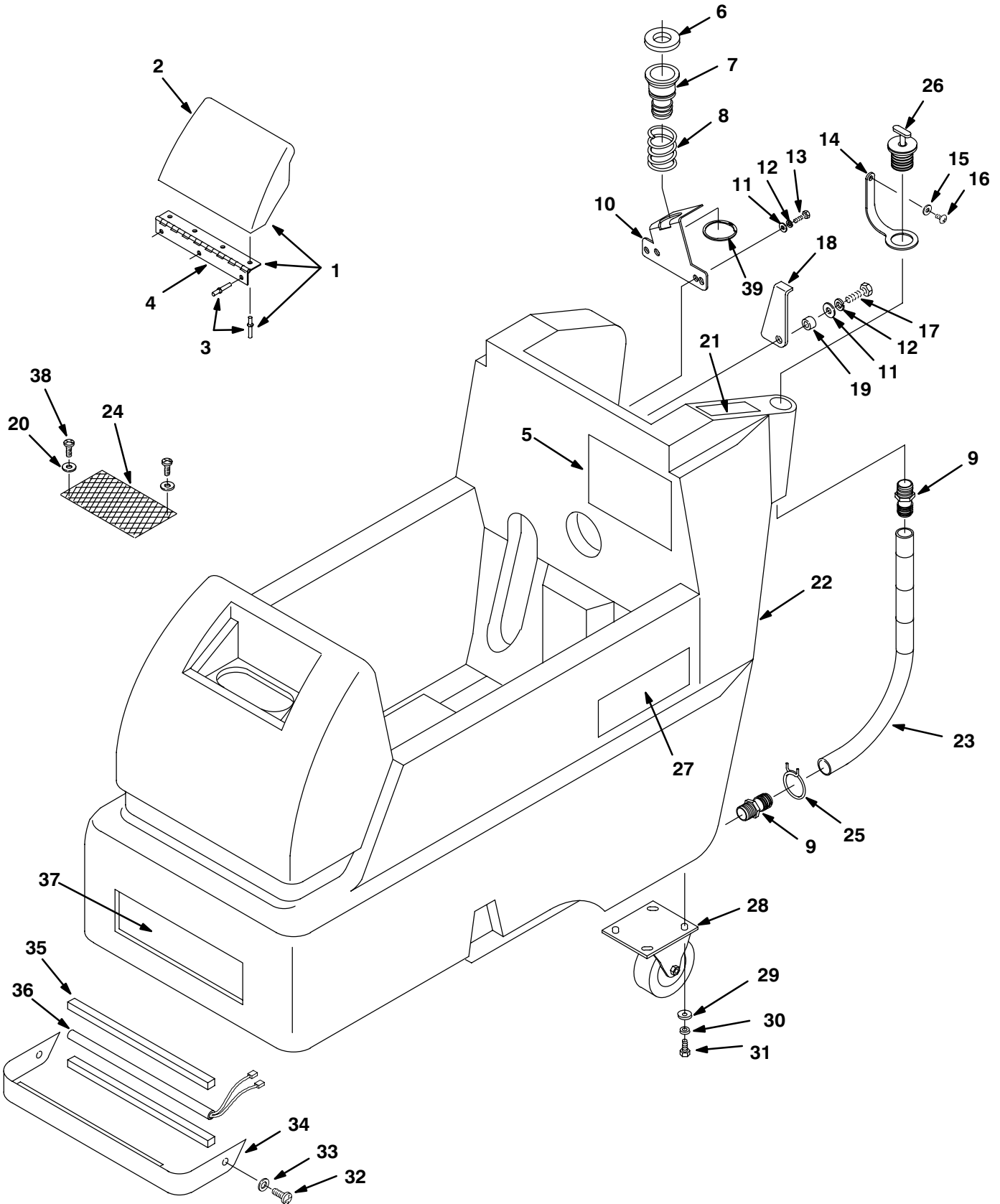
REF	PART #	DESCRIPTION	QTY.
▽ 4	240262	●ASM., PAD DRIVER 2/PK 305MM (12")	2
	602928	●ASM., PAD DRIVER 2/PK 330MM (13")	2
▲ 5	240238	●LUGS, W/SCREWS (SET OF 3)	6
▲ 6	100106	●PLATE, PAD DRIVER BASE	2
▲ 7	100107	●RING, PAD RETAINER SNAP-IN	2

▽ ASSEMBLY / CONJUNTO

▲ INCLUDED IN ASSEMBLY / INCLUIDO EN EL CONJUNTO

● RECOMMENDED STOCK ITEMS / ARTICULOS RECOMENDADOS PARA
MANTENER EN EXISTENCIA

SOLUTION TANK GROUP
GRUPE DEL DEPÓSITO DE DISOLUCIÓN



SOLUTION TANK GROUP
GRUPE DEL DEPÓSITO DE DISOLUCIÓN

REF	PART #	DESCRIPTION	QTY.
▽ 1	608518	ASM., SOL. TANK COVER GREEN	1
▲ 2	608284	COVER, TANK GREEN	1
▲ 3	140706	RIVET, POP	7
▲ 4	611068	HINGE, COVER	1
5	603233	DECAL, BATTERY RECHARGE	1
6	630010	●GASKET, TUBE ADAPTER	1
7	630011	TUBE, VAC	1
8	630267	SPRING, TUBE ADAPTER	1
9	150529	HOSE BARB	2
10	608706	BRACKET, VAC TUBE	1
11	140027	WASHER, FLAT	3
12	140015	WASHER, LOCK	3
13	200031488	SCREW, M8X1.25X20MM	2
14	600476	●STRAP, PLUG REAR FILL	1
15	140011	WASHER, FLAT	1
16	140350	SCREW, #10X1/2	1
17	200031488	SCREW, M8X1.25X20MM	1
18	230925	SUPPORT, RECOVERY TANK	1
19	611418	BUSHING	1
20	140032	WASHER, FLAT	2

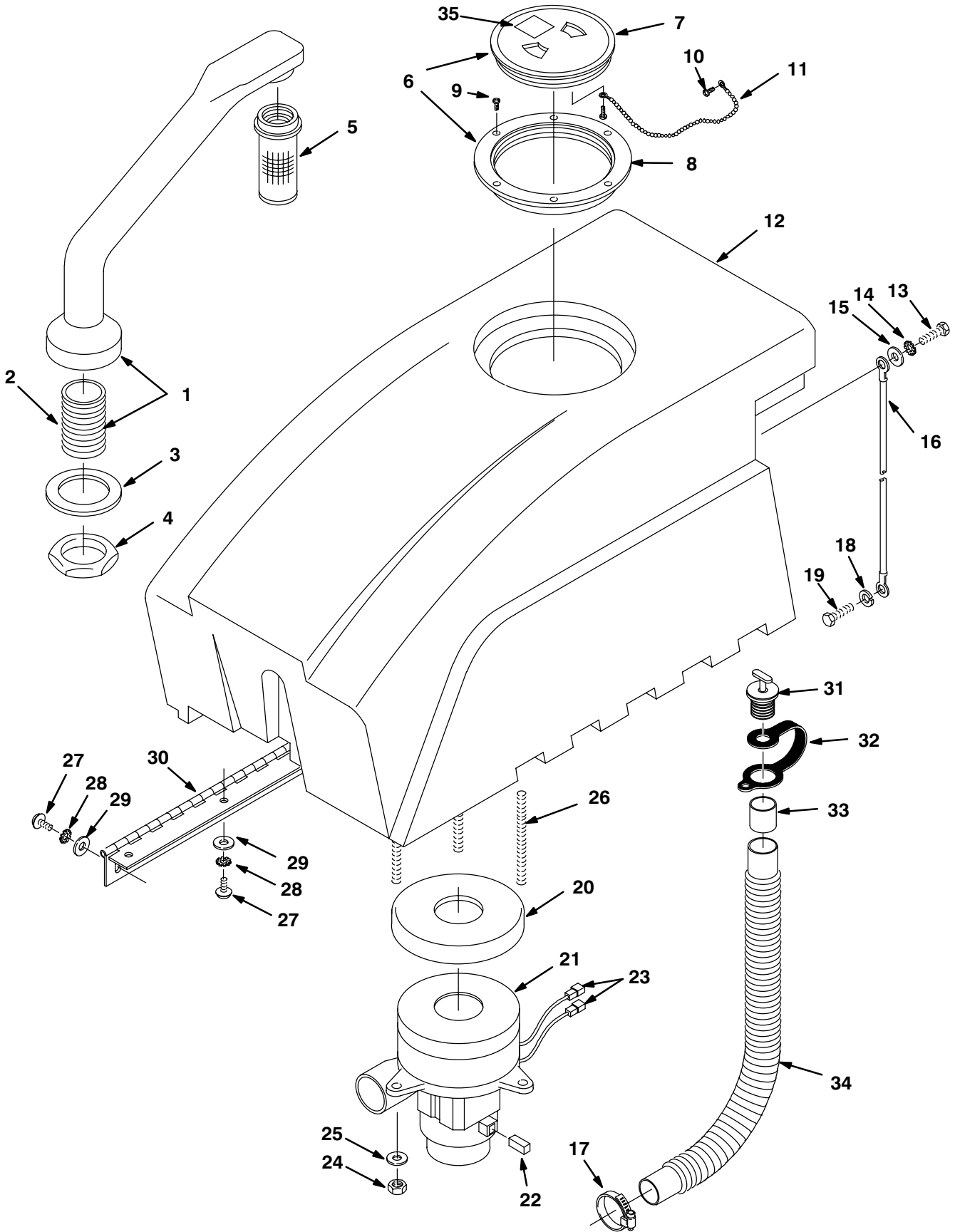
REF	PART #	DESCRIPTION	QTY.
21	600650	DECAL, SQUEEGEE LEVER CE	1
22	608295	TANK, SOLUTION GREEN	1
23	607983	ASM., DRAIN HOSE W/LEVEL IND.	1
24	602529	●SCREEN, FILL	1
25	608915	CLAMP, HOSE 2-WIRE	1
26	621324	●PLUG, EXPANSION	1
27	608450	DECAL, "SPEED SCRUB 2401"	2
	608449	DECAL, "SPEED SCRUB 2601"	2
28	612056	●CASTER, 4"	2
29	140036	WASHER, 3/8 FLAT	8
30	140333	WASHER, M10 SPLITLOCK	8
31	140277	SCREW, M10X1.5X20MM	8
32	578141000	SCREW, M5X10MM	2
33	140018	WASHER, #10 INT	2
34	600298	SHIELD, LIGHT	1
35	605324	GASKET, 1/2"X2.34"	1
36	130023	LIGHT, SAFETY	1
37	608184	DECAL, NOBLES LOGO	1
38	3701.6	SCREW, #6X3/4	2
39	621236000	RING, RETAINING	1

▽ ASSEMBLY / CONJUNTO

▲ INCLUDED IN ASSEMBLY / INCLUIDO EN EL CONJUNTO

● RECOMMENDED STOCK ITEMS / ARTICULOS RECOMENDADOS PARA
MANTENER EN EXISTENCIA

RECOVERY TANK GROUP
CONJUNTO DEPOSITO RECUPERAR



RECOVERY TANK GROUP
CONJUNTO DEPOSITO RECUPERAR

REF	PART #	DESCRIPTION	QTY.
∇ 1	701103	ASM., STANDPIPE	1
▲ 2	606088	FITTING, NIPPLE	1
3	101714	●GASKET	1
4	210240	NUT, FLANGED	1
5	180613	●FLOAT, SHUT-OFF	1
∇ 6	100102	●ASM., LID CLEAR W/STD HOLE	1
▲ 7	100105	●LID, CENTER CLEAR ONLY	1
▲ 8	100109	●LID, OUTER RING ONLY	1
9	140826	SCREW, #6X3/4	6
10	3701.6	SCREW, #6X3/8	2
11	230513	CHAIN	1
12	608297	TANK, RECOVERY GREEN	1
13	578187000	SCREW, M06X1.0X12MM	1
14	140052	WASHER, 1/4 EXT	1
15	140000	WASHER, FLAT	1
16	140960	●CABLE	1
17	140308	CLAMP	1

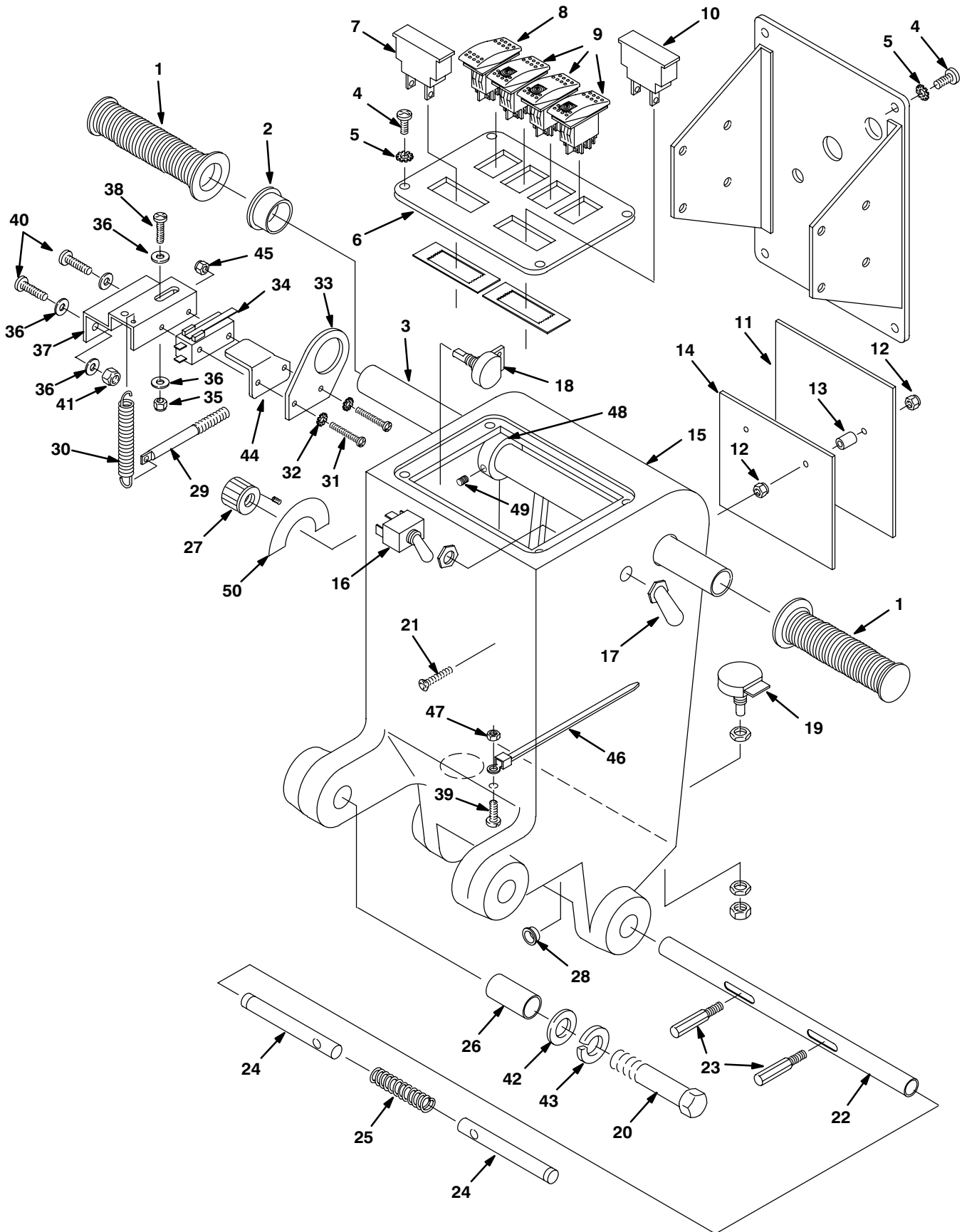
REF	PART #	DESCRIPTION	QTY.
18	140015	WASHER, LOCK	1
19	200031488	SCREW, M8X1.25X20MM	1
20	0174..10	●SEAT, NEOPRENE MOTOR	1
∇ 21	130477	●MOTOR, VAC 5.7/3 STG 24 VDC	1
▲ 22	190163	●CARBON BRSH W/HOLDER 2/PK	2
23	130096	TERMINAL, MALE DISCONNECT	2
24	140284	NUT	3
25	140000	WASHER, FLAT	3
26	140353	STUD	3
27	578187000	SCREW, M06X1.0X12MM	11
28	140052	WASHER, 1/4 EXT	11
29	140000	WASHER, 1/4 FLAT	11
30	600311	●HINGE, RECOVERY TANK	1
31	621324	●PLUG, EXPANSION	2
32	578441	●STRAP, DRAINHOSE	1
33	630394	●SLEEVE, DRAINHOSE	1
34	630068	●HOSE, DRAIN	1
35	606105	DO NOT SPRAY	1

∇ ASSEMBLY / CONJUNTO

▲ INCLUDED IN ASSEMBLY / INCLUIDO EN EL CONJUNTO

● RECOMMENDED STOCK ITEMS / ARTICULOS RECOMENDADOS PARA
MANTENER EN EXISTENCIA

CONSOLE GROUP
CONJUNTO CONSOLA DE CONTROLES



CONSOLE GROUP
CONJUNTO CONSOLA DE CONTROLES

REF	PART #	DESCRIPTION	QTY.
1	200823	●GRIP, HANDLE TUBE	2
2	605351	BUSHING	1
3	604402	HANDLE, TUBE	1
4	578141000	SCREW, M5X10MM	8
5	140018	WASHER, LOCK	8
▽	606093	ASM., SWITCH PANEL	1
▲	602560	PANEL, SWITCH	1
▲	606857	●GAUGE, BRUSH PRESSURE	1
▲	603399	●SWITCH, MOM. ON/OFF/MOM. ON	1
▲	601107	●SWITCH, LIGHTED ROCKER	3
▲	606020	●METER, BATTERY VOLTAGE 24V	1
11	630104	●SPEED CONTROL, PMB 55 AMP	1
12	200160014	NUT	4
13	630261	SPACER	2
14	630128	HEATSINK, ALLUM.	1
15	608299	HOUSING, CONTROL GREEN	1
16	601108	●SWITCH, TOGGLE	1
17	130753	●BOOT, SWITCH	1
18	130776	●POTENTIOMETER, 50K	1
19	130775	●POTENTIOMETER, 50K LOCKABLE	1
20	140351	SCREW, M12X1.75X70MM	2
21	630304	SCREW, M4X35MM	2
22	230715	TUBE, HANDLE ADJUSTMENT	1
23	230649	PIN, HANDLE ADJUSTMENT	2
24	230710	PIN, HANDLE LOCK	2
25	140415	SPRING, LOCK PIN	1
26	140155	BUSHING	2

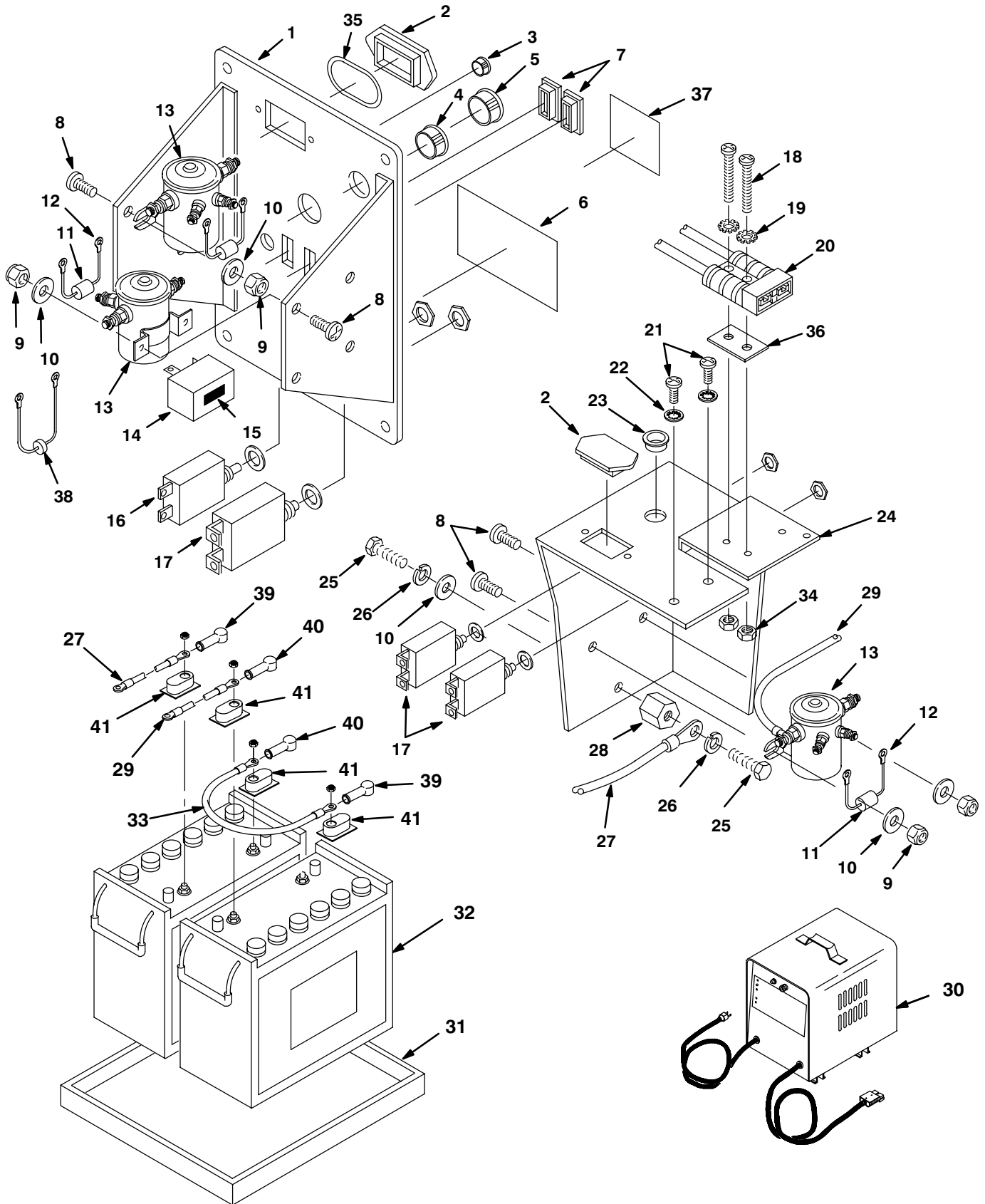
REF	PART #	DESCRIPTION	QTY.
27	606550	●KNOB, SPEED CONTROL	1
28	603007	BUSHING, SNAP	1
29	602886	PIN, SPRING RETURN	1
30	605812	SPRING, EXTENSION	1
31	140829	SCREW, 6-32X1	2
32	140019	WASHER, LOCK	2
33	27098	BRACKET, SWITCH	1
34	130729	●SWITCH, ROLL	1
35	140552	NUT	1
36	140000	WASHER, FLAT	6
37	25671	MOUNT, SWITCH	1
38	140890	SCREW, 10-24X1/2	1
39	140900	SCREW, 10-24X3/4 TRSPHL	1
40	608322	SCREW, M6X1.0X16	2
41	140284	NUT, M6X1.0 NYLOCK	2
42	140045	WASHER, FLAT	2
43	140024	WASHER, LOCK	2
44	603830	PLATE, GUARD SWITCH	1
45	140540	NUT, 6-32 HEX	2
46	630343	CLAMP, CABLE	1
47	140552	NUT, 10-24 NYLOCK	1
48	605094	COLLAR, HANDLE	2
49	140859	SCREW, 1/4 SK CUP	2
50	606549	DECAL, SPEED CONTROL	1
N/S	602873	HARNESS CONSOLE W/POT.	1
	606093	HARNESS, MAIN/SWITCH/ CONSOLE	1

▽ ASSEMBLY / CONJUNTO

▲ INCLUDED IN ASSEMBLY / INCLUIDO EN EL CONJUNTO

● RECOMMENDED STOCK ITEMS / ARTICULOS RECOMENDADOS PARA MANTENER EN EXISTENCIA

ELECTRICAL / BATTERY GROUP
GRUPO DEL ELÉCTRICO/BATERÍA



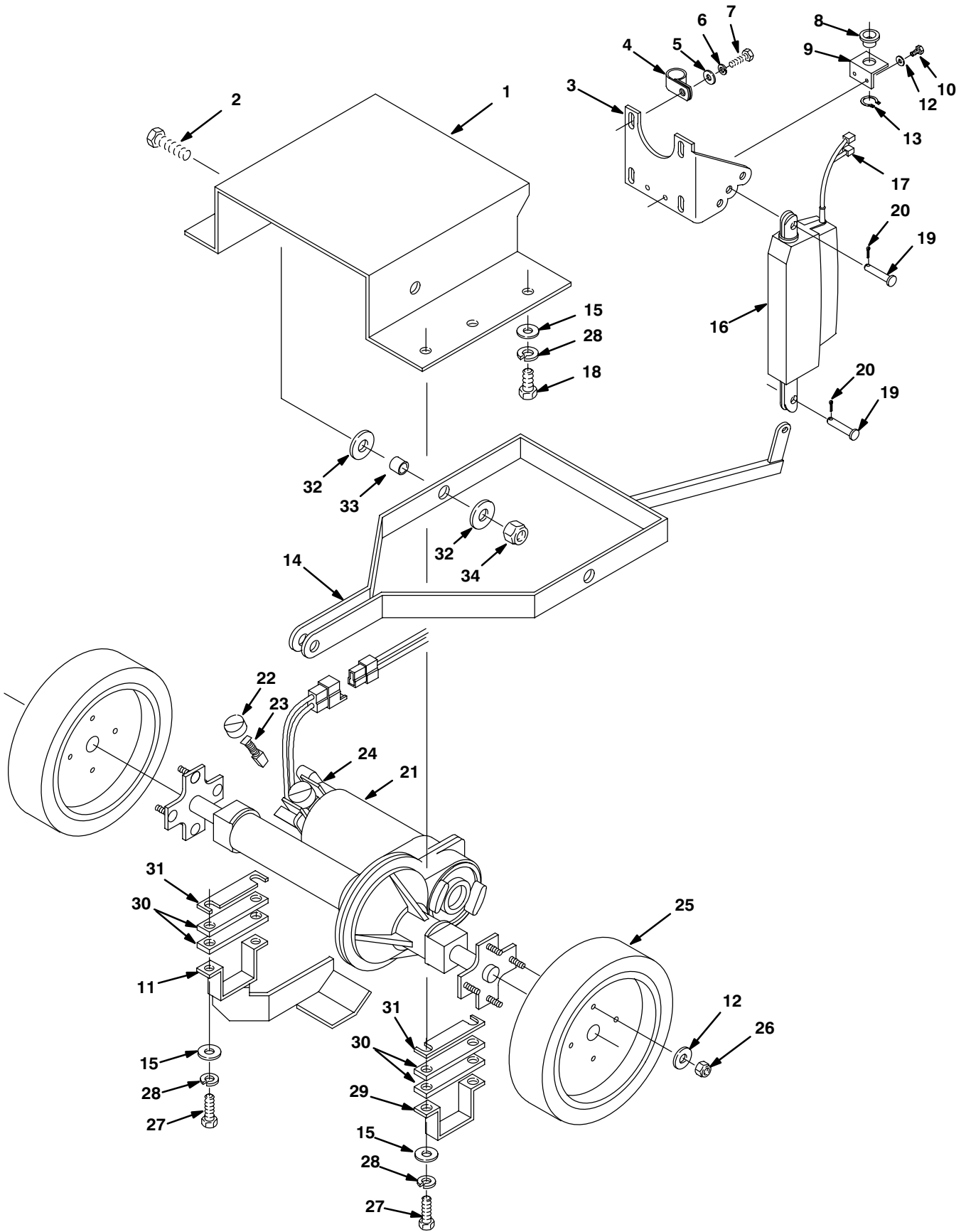
ELECTRICAL / BATTERY GROUP
GRUPO DEL ELÉCTRICO/BATERÍA

REF	PART #	DESCRIPTION	QTY.
1	602559	PANEL, CONTROL HOUSING	1
2	609969	●PLUG, HOUR METER	2
3	069764626	●PLUG, HOLE 012.7	1
4	130161	●PLUG, DOME .850	1
5	130175	●PLUG, DOME .750	1
6	120649	DECAL, WARNING BATTERY	1
7	582150	●PLUG, ACCESSORY SWITCH	2
8	608322	SCREW, M6X1.0X16	6
9	140284	NUT, M6X1.0 NYLOCK	6
10	140000	WASHER, FLAT	7
11	606404	●ASM., DIODE W/RING TERM.	3
12	281001009	RING, TERMINAL #10	6
13	605905	●SOLENOID, 24V	3
14	130021	●FLASHER, 24VDC	1
15	606243	TAPE, ACRYLIC 1"X.25'	1
16	130737	●BREAKER, CIRCUIT BRSH 10AMP	1
17	602951	●BREAKER, CIRCUIT 35 AMP	3
18	140829	SCREW, 6-32X1	2
19	140019	WASHER, #6 EXT	2
20	605387	●CONNECTOR, 50A W/O CNTCTS	1
21	578141000	SCREW, M5X10	2

REF	PART #	DESCRIPTION	QTY.
22	140018	WASHER, #10 INT	2
23	130698	BUSHING, SNAP	1
24	602887	BRACKET	1
25	140553	SCREW, 1/4-20X1/2	2
26	140016	WASHER, LOCK	1
27	602871	CABLE, BATTERY #6 BLACKX20"	1
28	578427	●STANDOFF	1
29	602872	CABLE, BATTERY #6 REDX28"	1
30	603235	CHARGER, 24DC 20 AMP	1
31	601991	TRAY, BATTERY	1
32	600394	BATTERY, 12V 215A	2
33	130364	●CABLE, BATTERY #6 BLACKX15"	1
34	140539	NUT, 6-32 KEP	2
35	605823	●O-RING .929 ID X .996 OD	1
36	603331	SPACER, CHARGER PLUG	1
37	578729	DECAL, READ MANUAL	1
38	604486	ASM., DIODE SPLICED	1
39	611221	BOOT, BATTERY CABLE BLK	2
40	611222	BOOT, BATTERY CABLE RED	2
41	45962	COVER, BATTERY TERMINAL	4

● RECOMMENDED STOCK ITEMS / ARTICULOS RECOMENDADOS PARA MANTENER EN EXISTENCIA

DRIVE GROUP
GRUPO DE TRANSMISIÓN



DRIVE GROUP
GRUPO DE TRANMISIÓN

REF	PART #	DESCRIPTION	QTY.
1	600288	PLATE, BASE TRANSAXLE	1
2	140236	SCREW, 1/2-13X1 1/4	2
3	600292	BRACKET, ACTUATOR	1
4	140314	CLAMP, INSULATED 3/4 ID	1
5	140027	WASHER, FLAT	4
6	140015	WASHER, LOCK	4
7	200031488	SCREW, M8X1.25X20	4
8	621235	BUSHING, CABLE	1
9	630157	BRACKET, CABLE GUIDE	1
10	200031432	SCREW, M6X1/0X10	2
11	612923	MOUNT, TRANSAXLE GUARD	1
12	140000	WASHER, FLAT	10
13	621236000	RING, RETAINING	1
14	600290	BRACKET, LIFT DUAL MOTOR	1
15	140028	WASHER, FLAT	6
16	600952	●ACUTATOR	1
17	281004001	TERMINAL, QC	2
18	140277	SCREW, M10X1.5X20MM	2
19	604076	PIN, CLEVIS	2

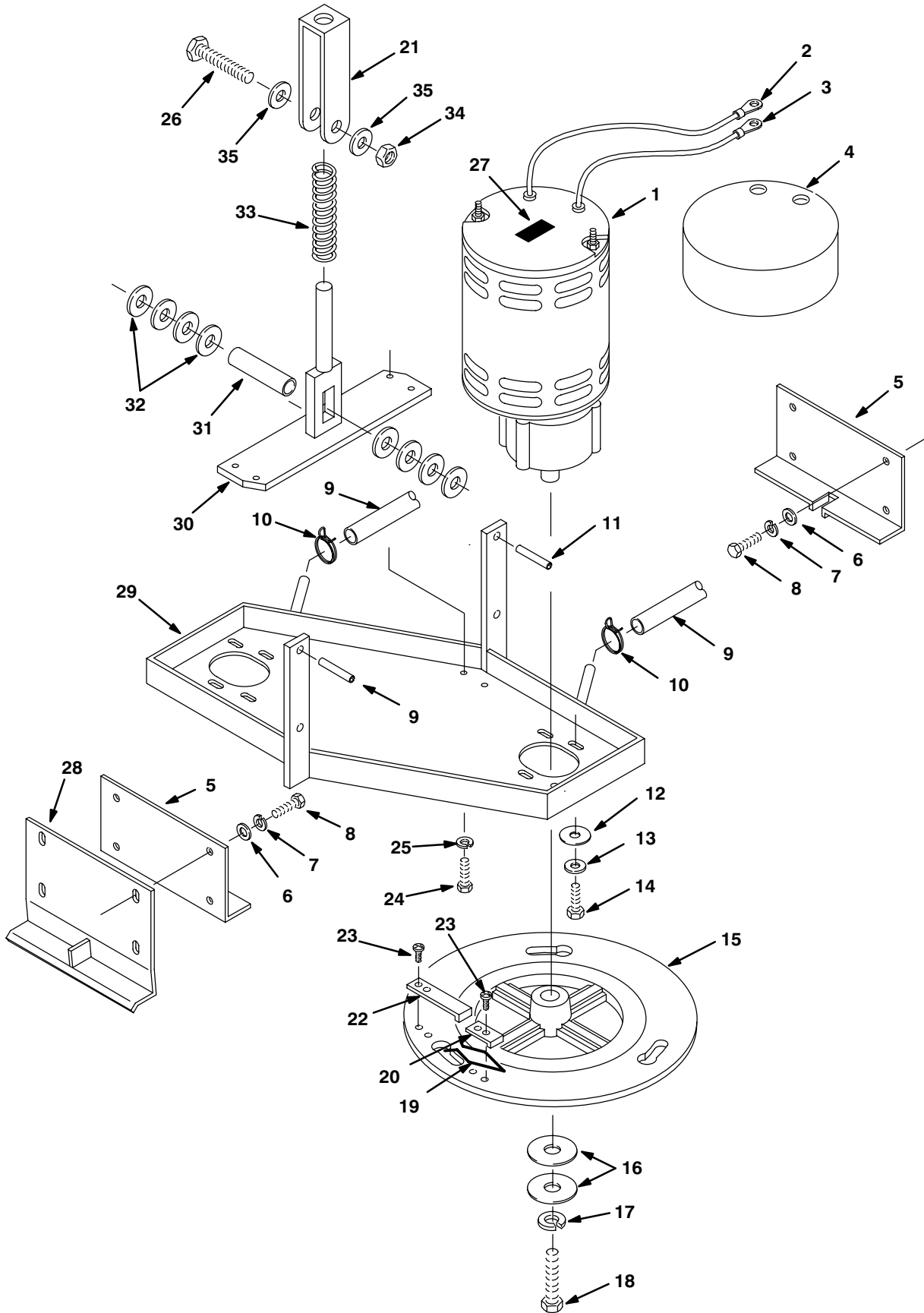
REF	PART #	DESCRIPTION	QTY.
20	578421	PIN, COTTER	2
▽ 21	630126	●TRANSAXLE, W/MOTOR 24VDC	1
▲ 22	630503	●CAP	2
▲ 23	630504	●CARBON BRUSH	2
▲ 24	600606	●END BELL, TRANSAXLE MOTOR	1
25	640013	●WHEEL, NEOPRENE, SOLID	2
	630215	●WHEEL, PNEUMATIC, AIR	2
	600352	●WHEEL, FOAM FILLED	2
	604357	●KIT, PNEUMATIC WHEEL, AIR	1
	604259	●KIT, WHEEL FOAM FILLED	1
26	630268	NUT	8
27	612255000	SCREW, M10X35MM	4
28	140333	WASHER, LOCK	6
29	612784	BRACKET, TRANSAXLE MOUNT	1
30	600304	SPACER, AXLE	4
31	602883	SPACER	2
32	140045	WASHER, FLAT	4
33	602882	BUSHING	2
34	140516	NUT	2

▽ ASSEMBLY / CONJUNTO

▲ INCLUDED IN ASSEMBLY / INCLUIDO EN EL CONJUNTO

● RECOMMENDED STOCK ITEMS / ARTICULOS RECOMENDADOS PARA
MANTENER EN EXISTENCIA

BRUSH DRIVE GROUP
CONJUNTO IMPULSO DE CEPILLO



BRUSH DRIVE GROUP CONJUNTO IMPULSO DE CEPILLO

REF	PART #	DESCRIPTION	QTY.
∇ 1	130491	●MOTOR & GEAR BOX, BRUSH	2
▲	630609	●ASM., GEAR BOX	1
▲	190741	●ASM., BRUSH CARD	1
▲	190970	●BRUSH, CARBON	4
▲	140632	●KEY, 1/4X1	1
X 2	281001014	TERMINAL RING (NEG) LT MOTOR	1
	281001014	TERMINAL RING (NEG) RT MOTOR	1
X 3	130109	TERMINAL MALE (POS) LT MOTOR	1
	130192	TERMINAL MALE (POS) RT MOTOR	1
4	100764	COVER, BRUSH MOTOR	2
5	600300	PLATE, GUIDE	2
6	140003	WASHER, FENDER	8
7	140016	WASHER, LOCK	8
8	140272	SCREW, M6X1.0X16MM	8
9	609470	HOSE, 3/8IDX5/8ODX9"	2
10	607775	CLAMP, HOSE 2 WIRE BLK	2
11	140618	PIN, ROLL	4
12	140028	WASHER, FLAT	8
13	140017	WASHER, LOCK	8
14	140202	SCREW, 3/8-16X1	8
15	606335	PLATE, DRIVER NYLON	2

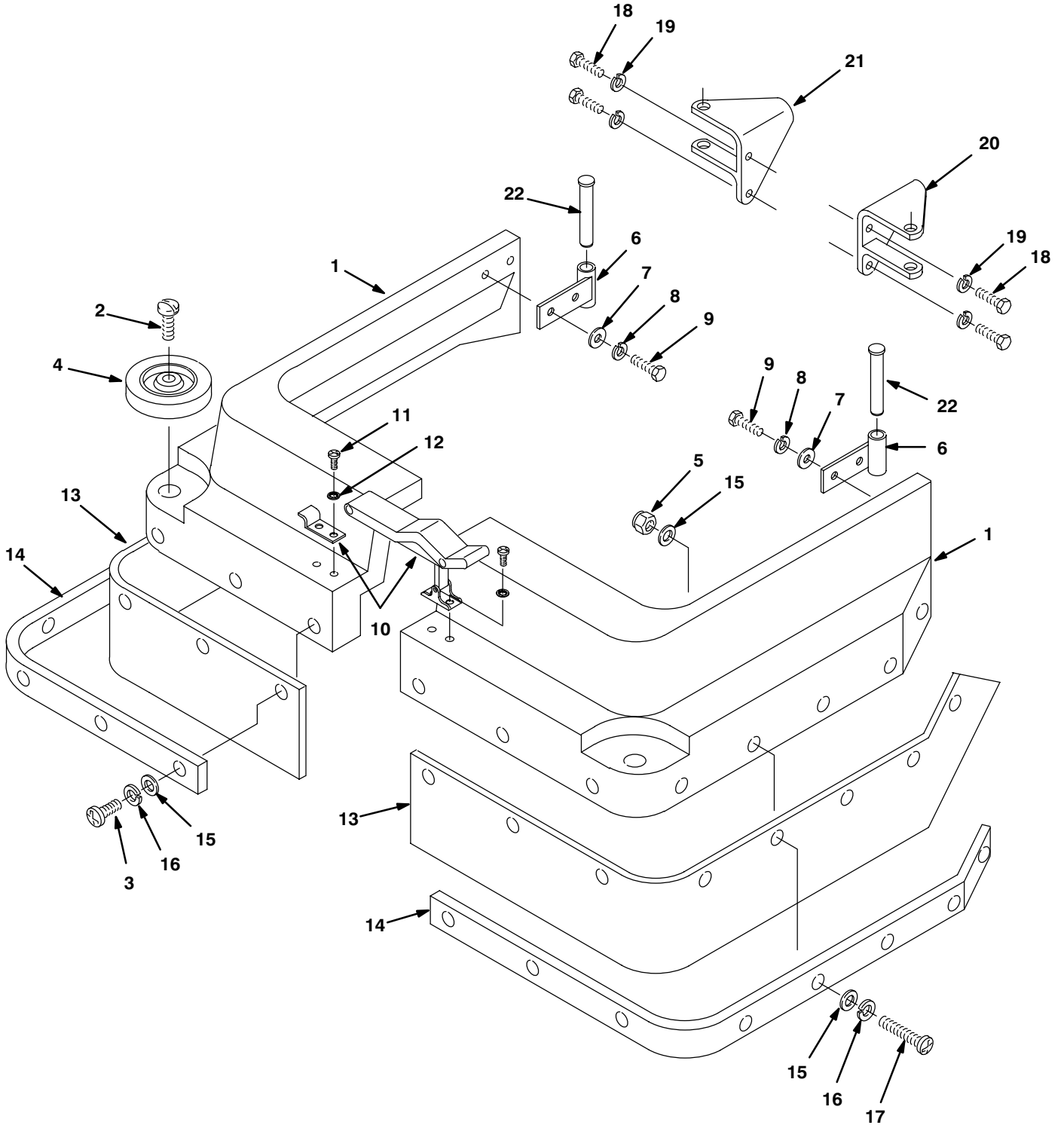
REF	PART #	DESCRIPTION	QTY.
16	25732	WASHER, FLAT	4
17	140015	WASHER, LOCK	2
18	140219	SCREW, 5/16-18X1	2
19	140417	●CLIP, SPRING	2
20	230651	●CLAMP, BRUSH PLATE	2
21	602556	BRACKET, SPRING	1
22	230697	●STOP, DRIVER RELEASE	2
23	606915	SCREW, HIGH LOW 10-16X3/8	8
24	200031488	SCREW, M08X1.25X20MM	4
25	140015	WASHER, LOCK	4
26	140225	SCREW, 3/8-16X2	1
27	606243	TAPE, ACRYLIC 1"X.25'	2
28	600299	SKIRT, FRONT LIP	1
29	600289	BRACKET, MOTOR MOUNT	1
30	602558	BRACKET, SPRING MOUNT	1
31	602930	BUSHING	1
32	578298000	WASHER, FLAT	8
33	602555	SPRING	1
34	600200	NUT	1
35	140028	WASHER, FLAT	2

∇ ASSEMBLY / CONJUNTO

▲ INCLUDED IN ASSEMBLY / INCLUIDO EN EL CONJUNTO

● RECOMMENDED STOCK ITEMS / ARTICULOS RECOMENDADOS PARA
MANTENER EN EXISTENCIA

BRUSH SKIRT GROUP
CONJUNTO JUEGO DE CEPILLO



BRUSH SKIRT GROUP
CONJUNTO JUEGO DE CEPILLO

REF	PART #	DESCRIPTION	QTY.
▽	609773	ASM., SKIRT OPERATOR LH GREEN (2401)	1
	609771	ASM., SKIRT OPERATOR LH GREEN (2601)	1
	609772	ASM., SKIRT OPERATOR RH GREEN (2401)	1
	609770	ASM., SKIRT OPERATOR RH GREEN (2601)	1
▲ 1	608709	SKIRT, OPERATOR LH GREEN (2401)	1
	608301	SKIRT, OPERATOR LH GREEN (2601)	1
	608711	SKIRT, OPERATOR RH GREEN (2401)	1
	608303	SKIRT, OPERATOR RH GREEN (2601)	1
▲ 2	603154	●SCREW, M08X1.25X40MM	2
▲ 3	578144000	SCREW, M5X16MM	10
▲ 4	630450	●WHEEL, RUBBER	2
▲ 5	140283	NUT	6
▲ 6	600301	BRACKET, SKIRT MOUNT	2

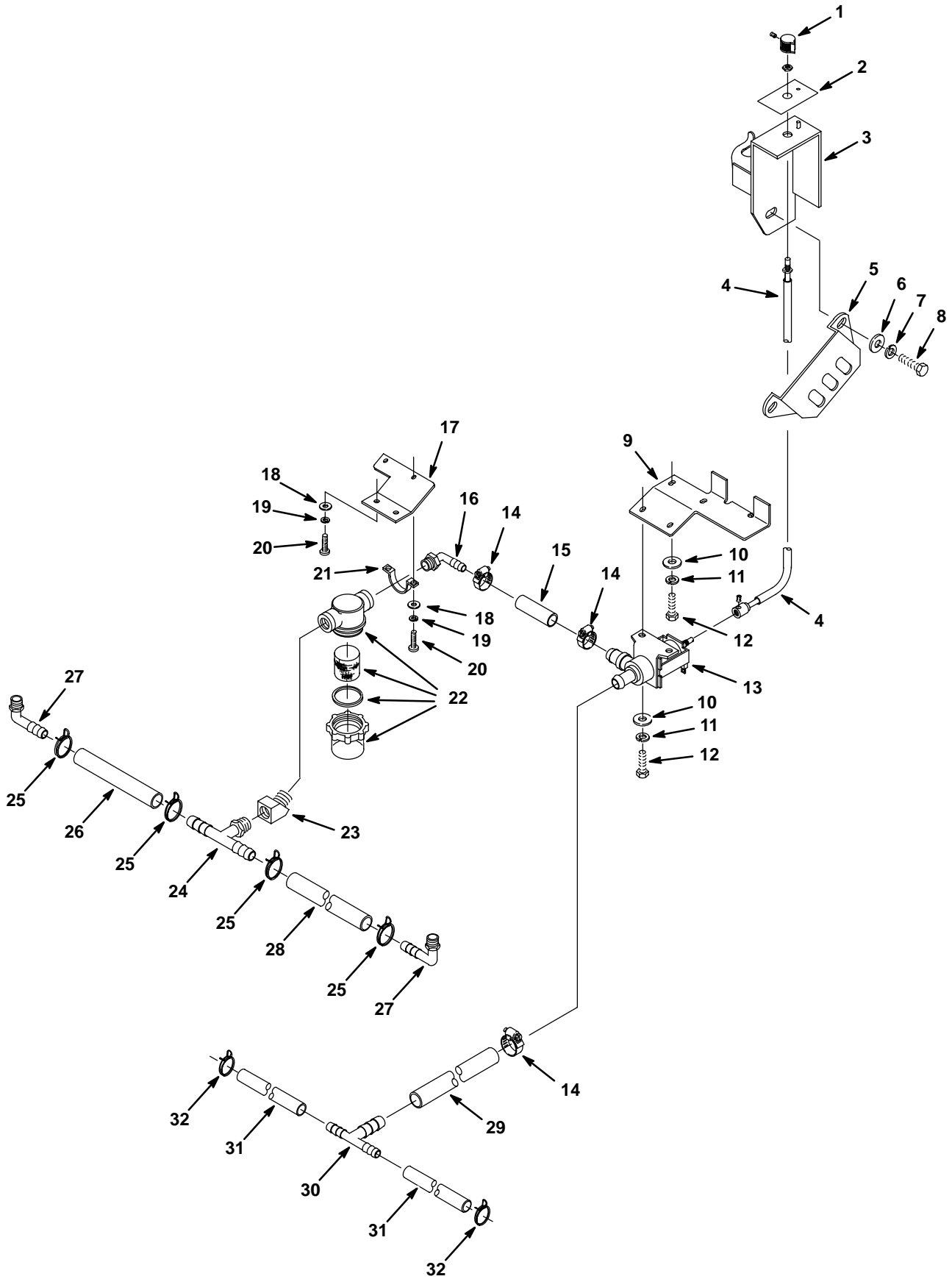
REF	PART #	DESCRIPTION	QTY.
▲ 7	140027	WASHER, 5/16 FLAT	4
▲ 8	140015	WASHER, 5/16 SPLITLOCK	4
▲ 9	578237000	SCREW, M8X18	4
▲ 10	140932	●LATCH, HOOD	1
▲ 11	200070340	SCREW, M4X.7X8MM	4
▲ 12	140023	WASHER, #8 INT	4
▲ 13	600295	●GUARD, SPLASH (2401)	2
	600294	●GUARD, SPLASH (2601)	2
▲ 14	600297	STRAP, SPLASH GUARD (2401)	2
	600296	STRAP, SPLASH GUARD (2601)	2
▲ 15	140011	WASHER, FLAT	22
▲ 16	140018	WASHER, LOCK	16
▲ 17	140293	SCREW, M5X0.8X30MM	6
18	575029000	SCREW, M8X1.25X20	4
19	140015	WASHER, 5/16 SPLITLOCK	4
20	607951	BRACKET, SKIRT MOUNT LH	1
21	607952	BRACKET, SKIRT MOUNT RH	1
22	230943	●PIN, SKIRT	2

▽ ASSEMBLY / CONJUNTO

▲ INCLUDED IN ASSEMBLY / INCLUIDO EN EL CONJUNTO

● RECOMMENDED STOCK ITEMS / ARTICULOS RECOMENDADOS PARA MANTENER EN EXISTENCIA

SOLUTION CONTROL GROUP
CONJUNTO DE PALANCAS SOLUCIÓN



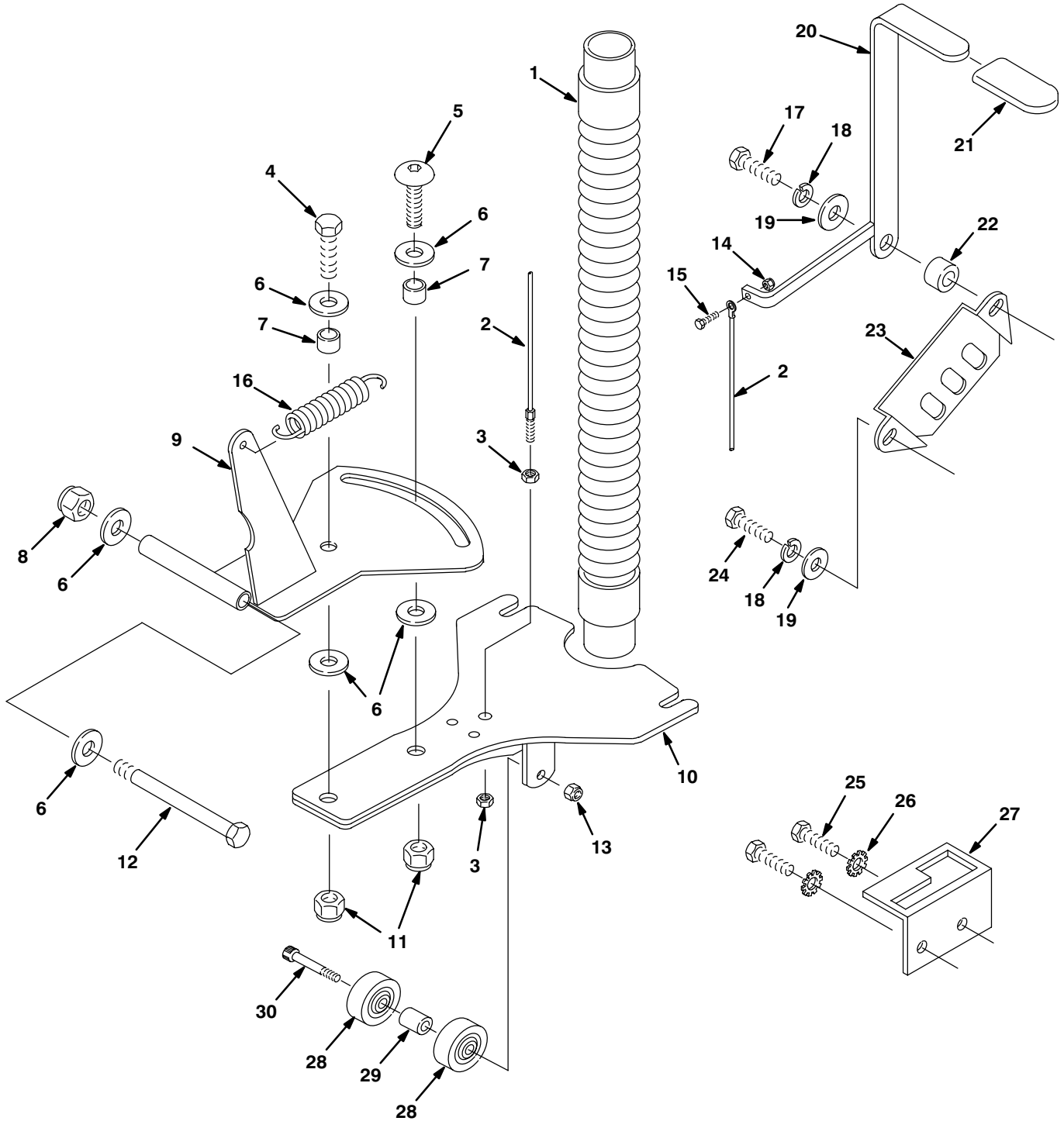
SOLUTION CONTROL GROUP
CONJUNTO DE PALANCAS SOLUCIÓN

REF	PART #	DESCRIPTION	QTY.
1	626121	KNOB, WATER VALVE	1
2	612039	DECAL, SOLUTION CONTROL	1
3	611821	BRACKET, SOLUTION CONTROL	1
4	612497	CABLE, SOL. FLOW CONTROL	1
5	230661	PLATE, LOCK CONTROL HSG.	1
6	140027	WASHER, 5/16 FLAT	2
7	140015	WASHER, 5/16 SPLIT LOCK	2
8	200031488	SCREW, M8X1.25X20	2
9	611822	BRACKET, SOLELNOID MOUNT	1
10	140000	WASHER, 1/4 FLAT	4
11	140016	WASHER, 1/4 LOCK	4
12	140272	SCREW, M6X1.0X16	4
13	612498	●VALVE, LIQUID DISPENSING	1
14	140310	CLAMP, HOSE	3
15	069760725	HOSE, 1/2IDX3.25"	1
16	578039000	FITTING, 3/8MX1/2H ELBOW 90	1

REF	PART #	DESCRIPTION	QTY.
17	611820	BRACKET, FILTER BOWL	1
18	575541000	WASHER, M5X1 FLAT	4
19	200655016	WASHER, M5 LOCK	4
20	609062	SCREW, M5X.8X12	4
21	605056	BRACKET, FILTER MOUNT	1
22	601475	●ASM., FILTER BOWL & SCREEN	1
23	01997	FITTING, BRASS ELBOW 45	1
24	605046	FITTING, 3/8MX1/2HX1/2H TEE	1
25	607776	CLAMP, HOSE 2 WIRE BLK	4
26	606241	HOSE, 1/2IDX6"	1
27	578039000	FITTING, 3/8MX1/2H ELBOW 90	2
28	626204	HOSE, 320MM	1
29	578822000	HOSE, 425MM	1
30	612149000	FITTING, 3/8HX3/8HX1/2H TEE	1
31	609470	HOSE, 3/8IDX5/8ODX9"	2
32	607775	CLAMP, HOSE 2 WIRE BLK	2

- RECOMMENDED STOCK ITEMS / ARTICULOS RECOMENDADOS PARA MANTENER EN EXISTENCIA

SQUEEGEE CONTROL GROUP
CONJUNTO DE PALETA PLANCAS



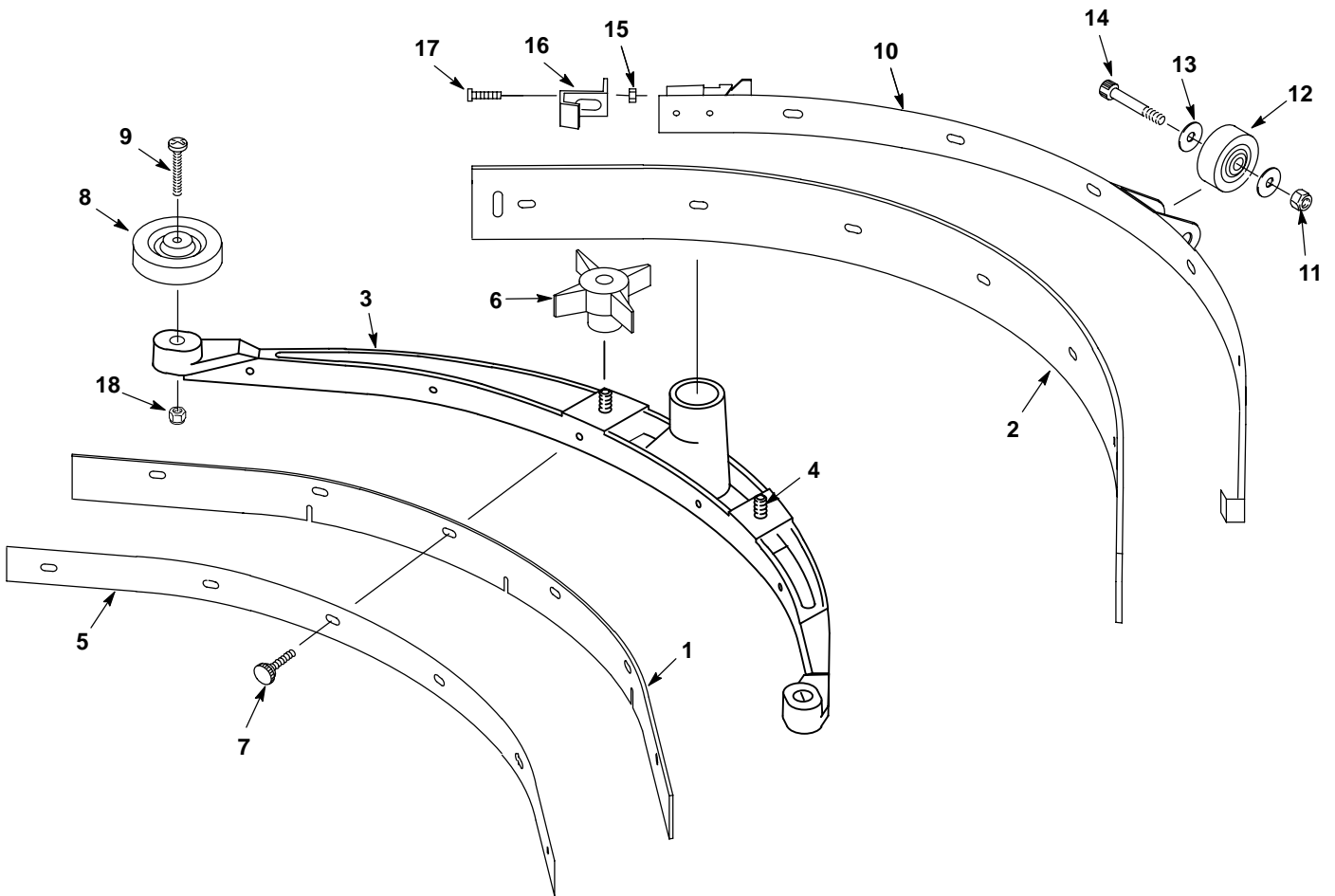
SQUEEGEE CONTROL GROUP
CONJUNTO DE PALETA PLANCAS

REF	PART #	DESCRIPTION	QTY.
1	160613	●HOSE, VAC 1.5X30" W/CUFFS	1
2	630156	●CABLE, SQUEEGEE LIFT	1
3	140501	NUT	2
4	140236	SCREW, 1/2-13X1-1/4"	1
5	611480	SCREW, 1/2-13X1.25	1
6	140045	WASHER, FLAT	6
7	140139	BUSHING	2
8	140516	NUT, 1/2-13 NYLOCK	1
9	611494	PIVOT MOUNT, SQUEEGEE	1
10	611479	BRACKET, SQUEEGEE MOUNT	1
11	140509	NUT, 1/2-13 JAM	2
12	602981	SCREW, 1/2-13X5-1/2"	1
13	601108000	NUT, HEX LOCK	1
14	140284	NUT, M6X1.0 NYLOCK	1
15	140272	SCREW, M6X1.0X16MM	1

REF	PART #	DESCRIPTION	QTY.
16	611477	SPRING	1
17	200031496	SCREW, M08X35	1
18	140015	WASHER, LOCK	2
19	140027	WASHER, FLAT	2
20	602885	HANDLE, SQUEEGEE LIFT	1
21	200816	●GRIP, HANDLE	1
22	604358	BUSHING SPACER	1
23	230661	PLATE, LOCK CONTROL HSG.	1
24	200031488	SCREW, M8X1.25X20MM	1
25	140268	SCREW, M5X.8X12MM	2
26	140031	WASHER, LOCK	2
27	230712	PLATE, SQUEEGEE LOCK	1
28	630477	WHEEL, 2" GRAY	2
29	603368	SPACER, NYLON	1
30	603144	SCREW, 3/8X3 SHOULDER	1

- RECOMMENDED STOCK ITEMS / ARTICULOS RECOMENDADOS PARA MANTENER EN EXISTENCIA

SQUEEGEE ASSEMBLY GROUP – 838mm (33 in)
CONJUNTO PALETA



SQUEEGEE ASSEMBLY GROUP – 838mm (33 in)
CONJUNTO PALETA

REF	PART #	DESCRIPTION	QTY.
▽	612025	ASSEMBLY, SQUEEGEE, LINATEX	1
▲▽	606758	●KIT, SQUEEGEE BLADES, LINATEX	1
▲ 1	605030	●BLADE, FRONT SQUEEGEE, LINATEX (RED)	1
▲ 2	605029	●BLADE, REAR SQUEEGEE, LINATEX (RED)	1
1	605032	●BLADE, FRONT SQUEEGEE, URETHANE (WHITE)	1
2	611634	●BLADE, REAR SQUEEGEE, URETHANE (WHITE)	1
▽	606741	ASSEMBLY, SQUEEGEE, GUM RUBBER	1
▲▽	606757	●KIT, SQUEEGEE BLADES, GUM RUBBER	1
▲ 1	605028	●BLADE, FRONT SQUEEGEE, GUM RUBBER (TAN)	1
▲ 2	605027	●BLADE, REAR SQUEEGEE, GUM RUBBER (TAN)	1
▲ 3	605026	CASTING, SQUEEGEE	1

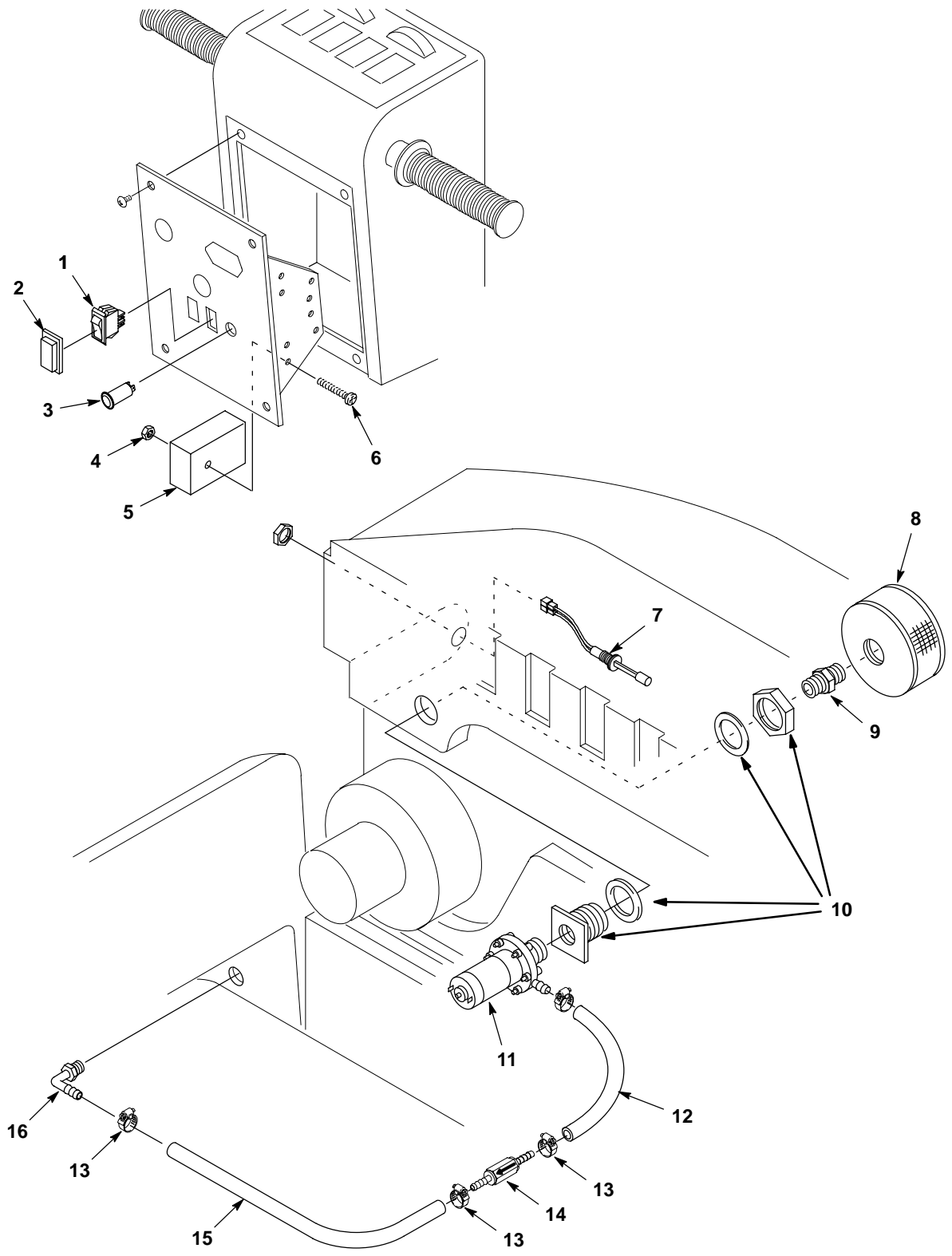
REF	PART #	DESCRIPTION	QTY.
▲ 4	140799	SCREW, 5/16–18X1–1/2	2
▲ 5	605034	RETAINER, FRONT STRIP	1
▲ 6	370100	●KNOB, 5/16 STAR	2
▲ 7	603012	●KNOB, FRONT SQUEEGEE	6
▲ 8	630450	WHEEL, 76 DIA X 22	2
▲ 9	611489	SCREW, 5/16–18X1–3/4	2
▲ 10	605033	SQUEEGEE, BAND ASM REAR	1
▲ 11	601108000	NUT, HEX LOCK, .31–18	1
▲ 12	630477	●WHEEL	1
▲ 13	140028	WASHER, 3/8 FLAT	2
▲ 14	600187	SCREW, SHOULDER, 3/8 X 1 1/4	1
▲ 15	140283	NUT, M5X.8 NYLOCK	1
▲ 16	605069	CLIP, SQUEEGEE BAND	1
▲ 17	630389	SCREW, M5 7/8X45MM	1
▲ 18	140506	NUT, 5/16–18	2

▽ ASSEMBLY / CONJUNTO

▲ INCLUDED IN ASSEMBLY / INCLUIDO EN EL CONJUNTO

● RECOMMENDED STOCK ITEMS / ARTICULOS RECOMENDADOS PARA MANTENER EN EXISTENCIA

ES™ KIT
ES™ JUEGO



**ES™ KIT
ES™ JUEGO**

REF	PART #	DESCRIPTION	QTY.
▽	604780	●KIT, ES™	1
▲ 1	630419	●SWITCH, ROCKER	1
▲ 2	578720	●SPLASHGUARD, RCKR SWITCH	1
▲ 3	130738	●LIGHT, INDICATOR GREEN	1
▲ 4	140283	NUT	1
▲ 5	630145	●TIMER, 24VDC, RANGE:30SEC	1
▲ 6	578008000	SCREW	1
▲ 7	603166	●SWITCH, LIQUID LEVEL W/NUT	1
▲ 8	630138	●FILTER, SCREEN	1
▲ 9	630385	FITTING, 3/4M NIPPLE	1

REF	PART #	DESCRIPTION	QTY.
▲ 10	601490	FITTING, 3/4NPT BULKHEAD	1
▲ 11	630136	●PUMP, SOLUTION 24VDC	1
▲ 12	605282	TUBING, 5/8X.5'	1
▲ 13	140310	CLAMP, HOSE	4
▲ 14	210044	●VALVE, CHECK	1
▲ 15	605282	TUBING, 5/8X1.25'	1
▲ 16	150415	FITTING, ELBOW 90°	1
▲N/S	604787	HARNESS, WIRE ES™	1
▲N/S	630440	DECAL, REMOVE FILTER	1

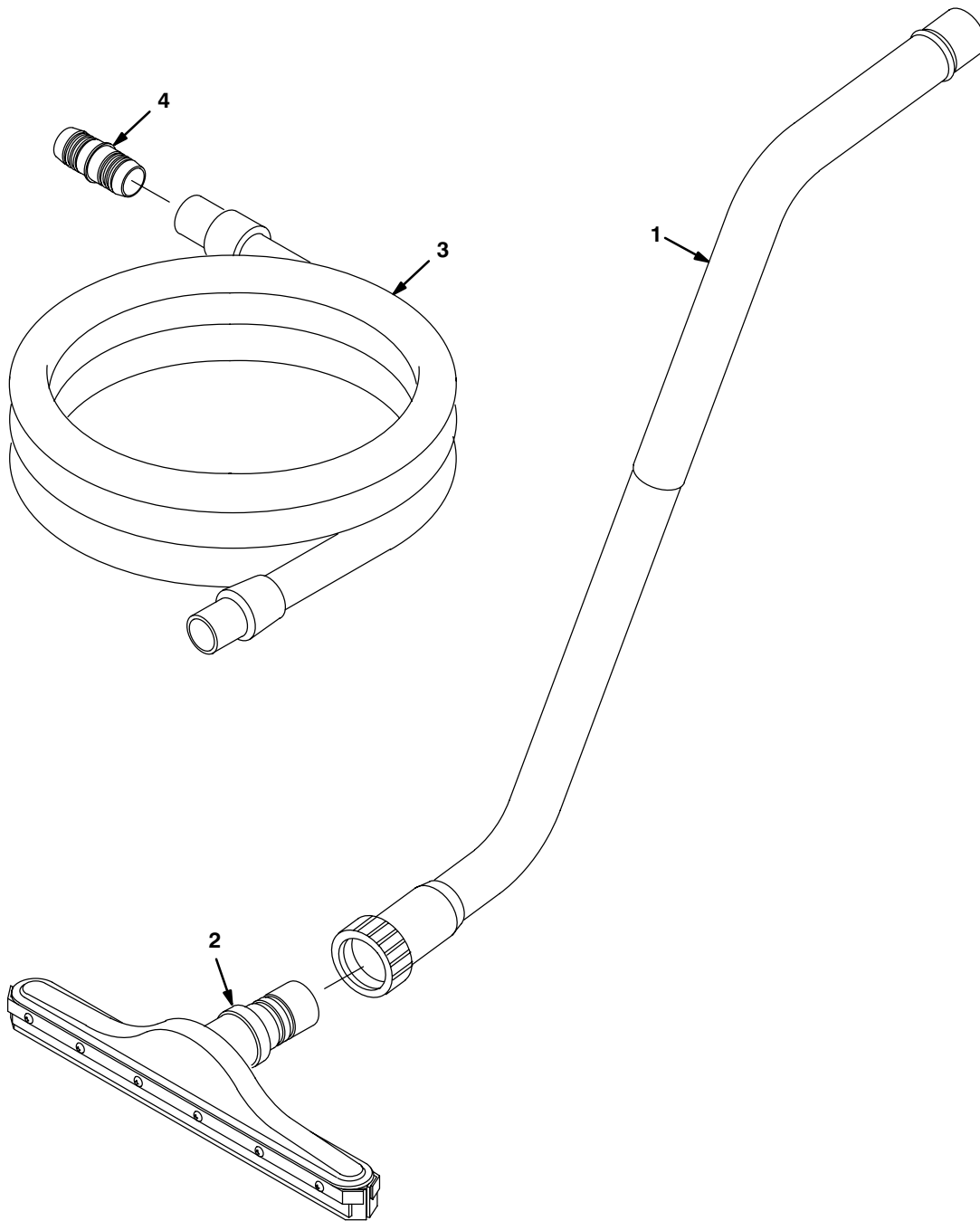
▽ ASSEMBLY / CONJUNTO

▲ INCLUDED IN ASSEMBLY / INCLUIDO EN EL CONJUNTO

● RECOMMENDED STOCK ITEMS / ARTICULOS RECOMENDADOS

N/S = NOT SHOWN

**SQUEEGEE WAND ASSEMBLY
GROUPE D'ASPIRATION ET RACLETTE À MAIN**



REF	PART #	DESCRIPTION	QTY.
▽	190928	●ASM, WAND DOUBLE BEND	1
▲ 1	6108.1	WAND, DOUBLE BEND	1
▲ 2	13840	SQUEEGEE ASM PUSH/PULL	1

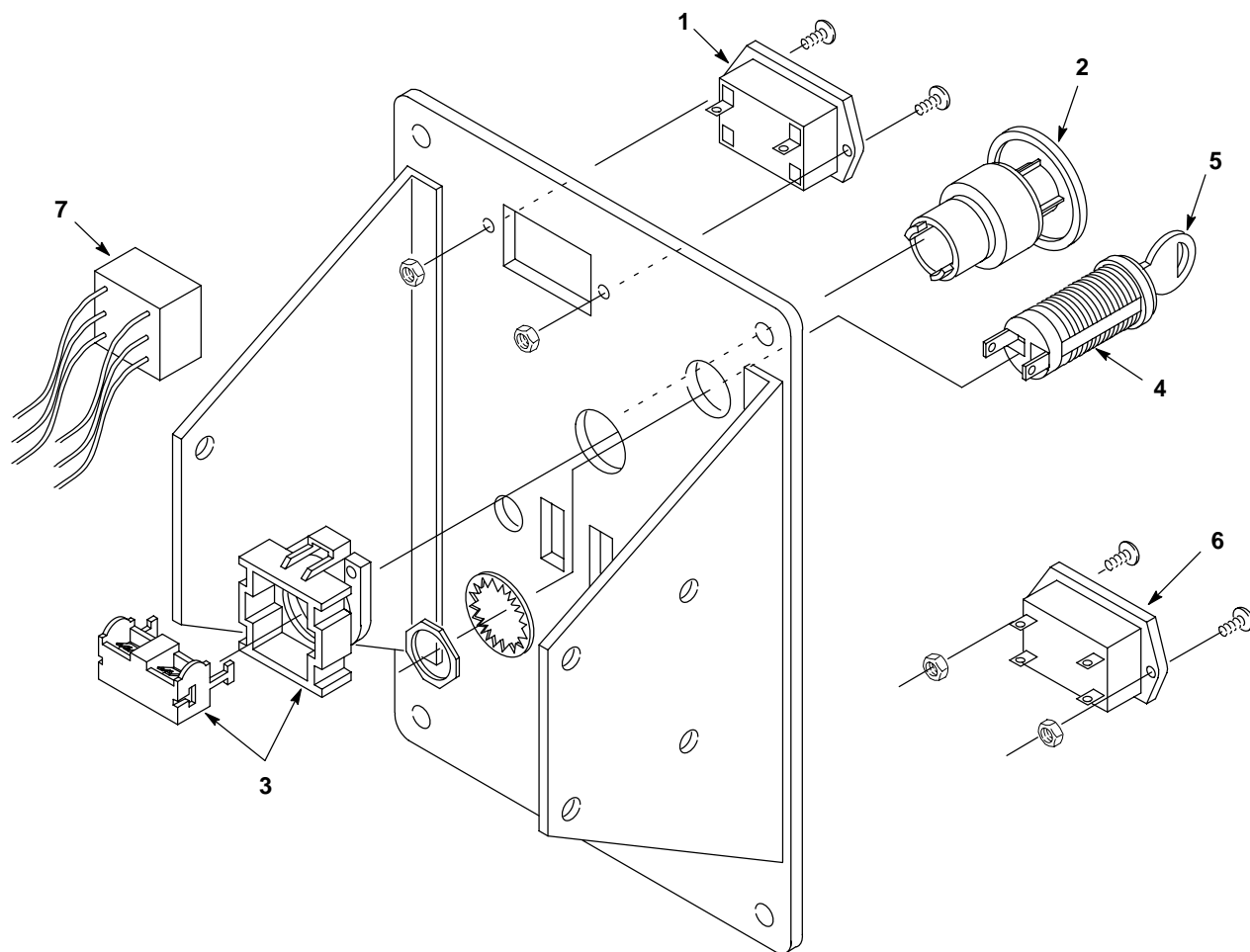
REF	PART #	DESCRIPTION	QTY.
▲ 3	160481	●HOSE, VAC 1-1/2X10'	1
▲ 4	160451	CONNECTOR, VAC HOSE	1

▽ ASSEMBLY / CONJUNTO

▲ INCLUDED IN ASSEMBLY / INCLUIDO EN EL CONJUNTO

● RECOMMENDED STOCK ITEMS / ARTICULOS RECOMENDADOS

**HR METER, EMERGENCY STOP, KEYSWITCH AND LOW VOLTAGE KITS
MEDIDOR DE HORA, BOTÓN DE EMERGENCIA, INTERRUPTOR DE LLAVE,
HERRAMIENTAS DE BAJO VOLTAGE**



REF	PART #	DESCRIPTION	QTY.
▽	602999	●KIT, HOUR METER	1
▲ 1	630143	●METER, HOUR	1
▲ N/S	603000	ASM., WIRE #18X5" BLU	1
▲ N/S	603004	ASM WIRE #18X5" BLK	1
▽	602995	●KIT, EMERGENCY STOP	1
▲ 2	630100	●SWITCH, EMERGENCY STOP BUTTON	1
▲ 3	630097	●SWITCH, CONTACT BLOCK	1
▲ N/S	602996	ASM, WIRE #16X5" RED 1/4FX1/4F	1
▲ N/S	602997	ASM, WIRE #16X5" RED 1/4MX1/4F	1

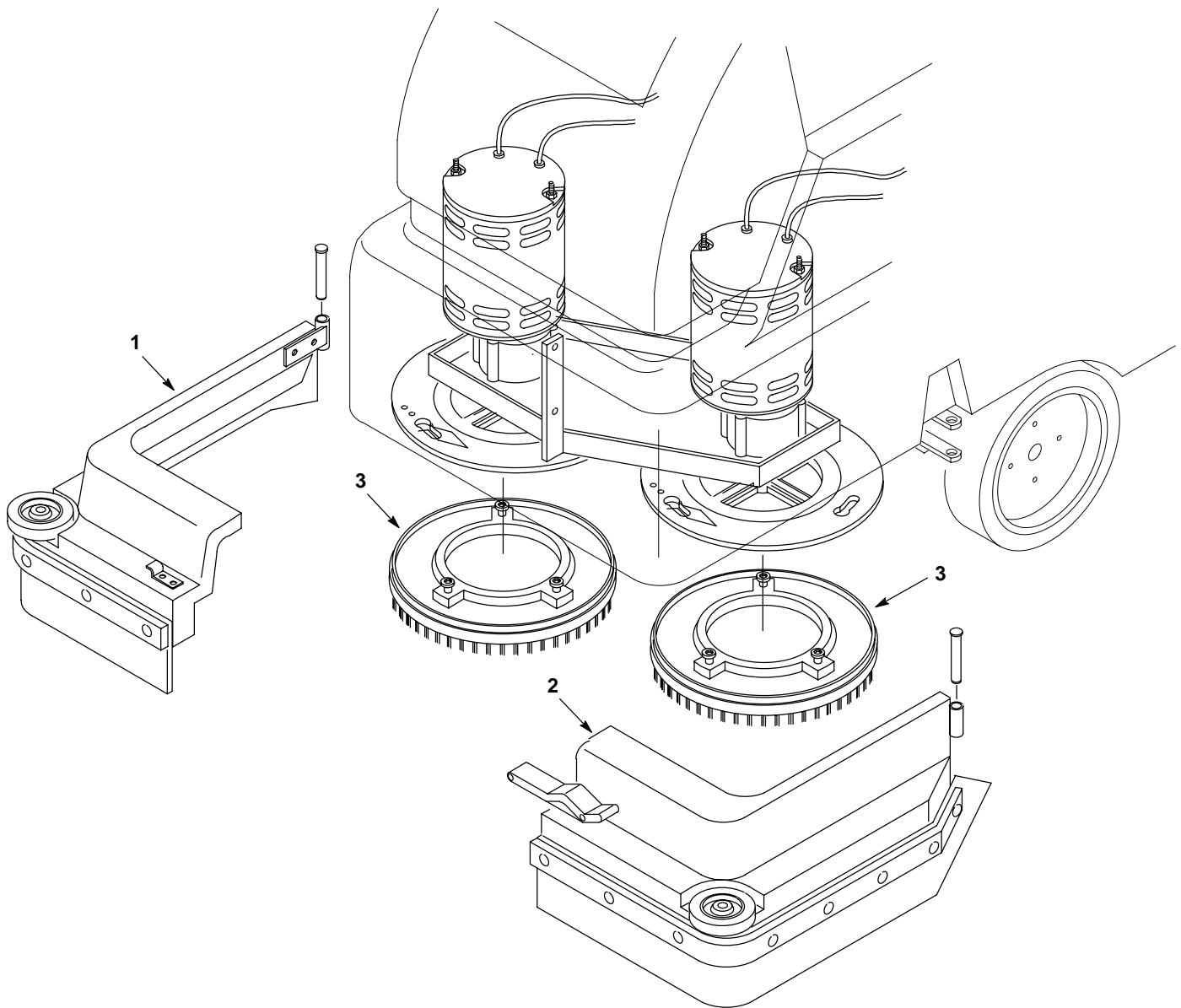
REF	PART #	DESCRIPTION	QTY.
▽	602993	●KIT, KEYSWITCH	1
▲▽ 4	612462	●SWITCH, KEY	1
▲ 5	607821	●KEY, REPLACEMENT	1
▽	603074	●KIT, LOW VOLTAGE CUTOFF	1
▲ 6	603076	●GAUGE, BATTERY 24V	1
▲ 7	603314	ASM., RELAY LOW VLTGE CUTOFF	1
▲N/S	603078	ASM., WIRE #18X9" GRN	1
▲N/S	603080	ASM., WIRE #18X8" BLK	1
▲N/S	603081	ASM., WIRE #18X12" RED	1
▲N/S	130040	WIRE TIE	1

▽ ASSEMBLY / CONJUNTO

▲ INCLUDED IN ASSEMBLY / INCLUIDO EN EL CONJUNTO

● RECOMMENDED STOCK ITEMS / ARTICULOS RECOMENDADOS PARA MANTENER EN EXISTENCIA

CONVERSION KIT
JUEGO DE CONVERSIÓN



**CONVERSION KIT
JUEGO DE CONVERSIÓN**

REF	PART #	DESCRIPTION	QTY.
▽	609769	●KIT, CONVERSION TO 2401 GRN	1
	609768	●KIT, CONVERSION TO 2601 GRN	1
▲ 1	609772	ASM., SKIRT OPERATOR RH GREEN (2401)	1
	609770	ASM., SKIRT OPERATOR RH GREEN (2601)	1
▲ 2	609773	ASM., SKIRT OPERATOR LH GREEN (2401)	1
	609771	ASM., SKIRT OPERATOR LH GREEN (2601)	1

REF	PART #	DESCRIPTION	QTY.
▲ 3	240262	●ASM., PAD DRIVER 2/PK 305MM / 12" (2401)	2
	602928	●ASM., PAD DRIVER 2/PK 330MM / 13" (2601)	2
▲N/S	603262	ASM., SQUEEGEE CURVED (2401)	1
	603263	ASM., SQUEEGEE CURVED (2601)	1
▲N/S	608450	DECAL, SPEEDSCRUB 2401	2
	608449	DECAL, SPEEDSCRUB 2601	2

▽ ASSEMBLY / CONJUNTO

▲ INCLUDED IN ASSEMBLY / INCLUIDO EN EL CONJUNTO

● RECOMMENDED STOCK ITEMS / ARTICULOS RECOMENDADOS PARA MANTENER EN EXISTENCIA