

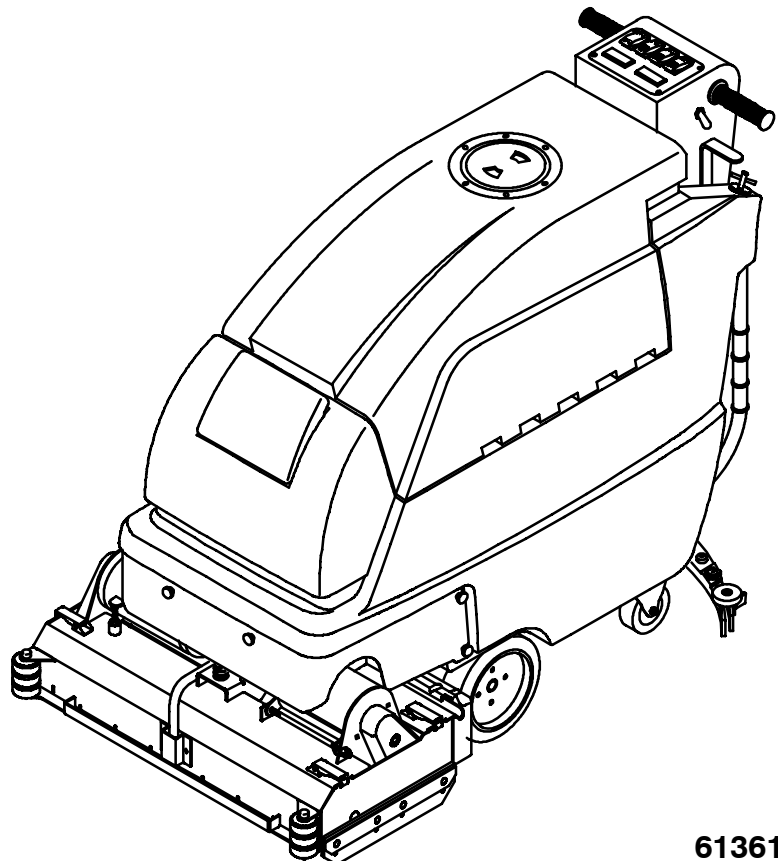


Speed Scrub[®] 2601

Cylindrical Brush Automatic Scrubber
Limpiador Automático de Cepillo Cilíndrico
Balayeuse Automatique de Brossage Cylindrique

Model No.:
1002193

Operator and Parts Manual
Manual del Operador y Piezas
Opérateur Manuel et Liste Des Pièces



613614
Rev. 01 (06-2006)



OPERATION


This manual is furnished with each new model. It provides necessary operation and maintenance instructions and an illustrated parts list.

Read this manual completely and understand the machine before operating or servicing it.

When ordering replacement parts, use the illustrated parts lists section in this manual. Before ordering parts or supplies, be sure to have your machine model number and serial number available. Parts and supplies may be ordered by phone or mail from any authorized parts and service center, distributor or from any of the manufacturer's subsidiaries.


This machine will provide excellent service. However, the best results will be obtained at minimum costs if:

- The machine is operated with reasonable care.
- The machine is maintained regularly - per the machine maintenance instructions provided.
- The machine is maintained with manufacturer supplied or equivalent parts.



PROTECT THE ENVIRONMENT

Please dispose of packaging materials, old machine components such as batteries, hazardous fluids such as antifreeze and oil, in a safe environmentally way according to your local waste disposal regulations.



Always remember to recycle.

MACHINE DATA

Please fill out at time of installation for future reference.

Model No.- _____

Install. Date - _____

Serial No.- _____

Tennant Company

PO Box 1452

Minneapolis, MN 55440

Phone: (800) 553-8033 or (763) 513-2850

www.nobles.com

Specifications and parts are subject to change without notice.

FaST-Pak and ES logo are registered United States trademarks of Tennant Company.

©2002, 2006 Tennant Company. All rights reserved. Printed in U.S.A.

TABLE OF CONTENTS	(ESPAÑOL....24)	(FRANÇAIS....48)	
SAFETY PRECAUTIONS	4	TRANSPORTING MACHINE	20
WARNING LABELS	5	STORING MACHINE	20
MACHINE COMPONENTS	6	RECOMMENDED STOCK ITEMS	20
CONTROL PANEL SYMBOLS	6	TROUBLE SHOOTING	21
MACHINE INSTALLATION	7	SPECIFICATIONS	23
UNCRATING MACHINE	7	MACHINE DIMENSIONS	23
INSTALLING BATTERIES	7	ELECTRICAL DIAGRAMS	72
MACHINE SETUP	8	PARTS LIST	74
ATTACHING SQUEEGEE ASSEMBLY	8	SOLUTION TANK GROUP	74
INSTALLING BRUSHES	8	RECOVERY TANK GROUP	76
FILLING SOLUTION TANK	9	CONTROL CONSOLE GROUP	78
ADJUSTING CONTROL GRIP HEIGHT	9	ELECTRICAL / BATTERY GROUP	80
MACHINE OPERATION	9	DRIVE GROUP	82
PRE-OPERATION CHECKS	9	SCRUB HEAD ACTUATOR GROUP	84
OPERATING MACHINE	10	SCRUB HEAD GROUP	86
WHILE OPERATING MACHINE	11	SOLUTION GROUP	90
STOPPING MACHINE	11	SQUEEGEE CONTROL GROUP	92
EMERGENCY STOPPING (OPTION)	11	SQUEEGEE ASSEMBLY GROUP -	
CIRCUIT BREAKERS	12	33 in / 838 mm	94
DRAINING TANKS	12	OPCIONES	96
DRAINING RECOVERY TANK	12	ES (EXTENDED SCRUB) KIT	96
DRAINING SOLUTION TANK	12	SQUEEGEE WAND ASSEMBLY	98
ADJUSTING BRUSHES	13	HOUR METER, EMERGENCY STOP,	
CHARGING BATTERIES	14	KEYSWITCH AND LOW VOLTAGE KITS ...	99
MACHINE MAINTENANCE	16		
DAILY MAINTENANCE	16		
WEEKLY MAINTENANCE	17		
MONTHLY MAINTENANCE	17		
QUARTERLY MAINTENANCE	18		
SQUEEGEE BLADE REPLACEMENT	18		
SQUEEGEE BLADE ADJUSTMENT	19		
BATTERY MAINTENANCE	19		


OPERATION

SAFETY PRECAUTIONS

This machine is intended for commercial use. It is designed exclusively to scrub hard floors in an indoor environment and is not constructed for any other use. Use only recommended commercially available floor cleaners intended for machine application.

All operators must read, understand and practice the following safety precautions.

The following warning alert symbol and the "FOR SAFETY" heading are used throughout this manual as indicated in their description:

 **WARNING:** To warn of hazards or unsafe practices which could result in severe personal injury or death.

FOR SAFETY: To identify actions which must be followed for safe operation of equipment.

Failure to follow these warnings may result in: personal injury, electrocution, electrical shock, fire or explosion.

 **WARNING:** Fire Or Explosion Hazard:

- Never Use Flammable Liquids Or Operate Machine in Or Near Flammable Liquids, Vapors Or Combustible Dusts.

This machine is not equipped with explosion proof motors. The electric motors will spark upon start up and during operation which could cause a flash fire or explosion if machine is used in an area where flammable vapors/liquids or combustible dusts are present.

- Do Not Pick Up Flammable Materials Or Reactive Metals.
- Batteries Emit Hydrogen Gas. Keep Sparks And Open Flame Away. Keep Battery Compartment Open When Charging.

 **WARNING:** Electrical Shock Hazard. Disconnect Battery Cables Before Servicing Machine.

 **WARNING:** Spinning Brush. Keep Hands Away. Turn Off Power Before Working On Machine.

The following information signals potentially dangerous conditions to the operator or equipment:

FOR SAFETY:

1. Do not operate machine:
 - With flammable liquids or near flammable vapors as an explosion or flash fire may occur.
 - Unless trained and authorized.
 - Unless operation manual is read and understood.
 - If not in proper operating condition.
2. Before starting machine:
 - Make sure all safety devices are in place and operate properly.
3. When using machine:
 - Go slow on inclines and slippery surfaces.
 - Wear no-slip shoes.
 - Use care when reversing machine.
 - Report machine damage or faulty operation immediately.
 - Never allow children to play on or around.
 - Follow mixing and handling instructions on chemical containers.
4. Before leaving or servicing machine:
 - Stop on level surface.
 - Turn off machine.
5. When servicing machine:
 - Avoid moving parts. Do not wear loose jackets, shirts, or sleeves.
 - Use hoist or jack that will support the weight of the machine.
 - Block machine tires before jacking up.
 - Wear eye and ear protection when using pressurized air or water.
 - Disconnect battery connections before working on machine.
 - Wear protective gloves and safety glasses when handling batteries or battery cables.
 - Avoid contact with battery acid.
 - Use manufacturer supplied or approved replacement parts.
 - All repairs must be performed by a qualified service person.
 - Do not modify the machine from its original design.

6. When transporting machine:


- Turn machine off.
- Get assistance when lifting machine.
- Do not lift machine when batteries are installed.

- Use a recommended ramp when loading/unloading into/off truck or trailer.
- Use tie-down straps to secure machine to truck or trailer.

WARNING LABELS

The warning labels appear on the machine in the locations indicated. Replace labels if they become damaged or illegible.

WARNING LABEL - LOCATED ON THE RECOVERY TANK.

⚠ WARNING	⚠ AVERTISSEMENT	⚠ ADVERTENCIA
 <p>EXPLOSION, FIRE AND SHOCK HAZARD. AVOID INJURY.</p> <ul style="list-style-type: none"> • Do Not Use or Pick Up Flammable Materials. • Do Not Use Near Flammable Liquids, Vapors or Combustible Dusts. • Keep Sparks and Open Flame Away When Charging Batteries. Keep Battery Hood Open When Charging. • Disconnect Battery Cables and Charger Cord Before Servicing. 	<p>RISQUE D'EXPLOSION, D'INCENDIE ET DE DÉCHARGE. ÉVITEZ LES BLESSURES.</p> <ul style="list-style-type: none"> • N'utilisez Pas ou Ne Ramassez Pas de Matériaux Inflammables. • N'utilisez Pas Près de Liquides, Vapeurs ou Poussières Inflammables. • Éloignez les Sources d'Étincelles ou de Flamme Ouverte Lors du Chargement des Batteries. Laissez Ouvert le Capot du Compartiment des Batteries Lors de la Mise en Charge. • Débranchez les Câbles de Batterie et le Cordon du Chargeur Avant l'Entretien. 	<p>PELIGRO DE EXPLOSIÓN, FUEGO, DESCARGA EVITE LESIONES.</p> <ul style="list-style-type: none"> • No Use Ó Recoja Materiales Flammables, Vapores Ó Materiales Combustibles. • Mantenga Chispas Y Fuego Alejados Mientras Carga Baterías. Mantenga Tapa De Bateria Abierta Mientras Carga. • Desconecte Cable De Bateria Y Cable Del Cargador Antes Del Mantenimiento.



BATTERY CHARGE LABEL - LOCATED INSIDE BATTERY COMPARTMENT.

⚠ WARNING: Keep sparks and open flame away. Keep battery hood open when charging.

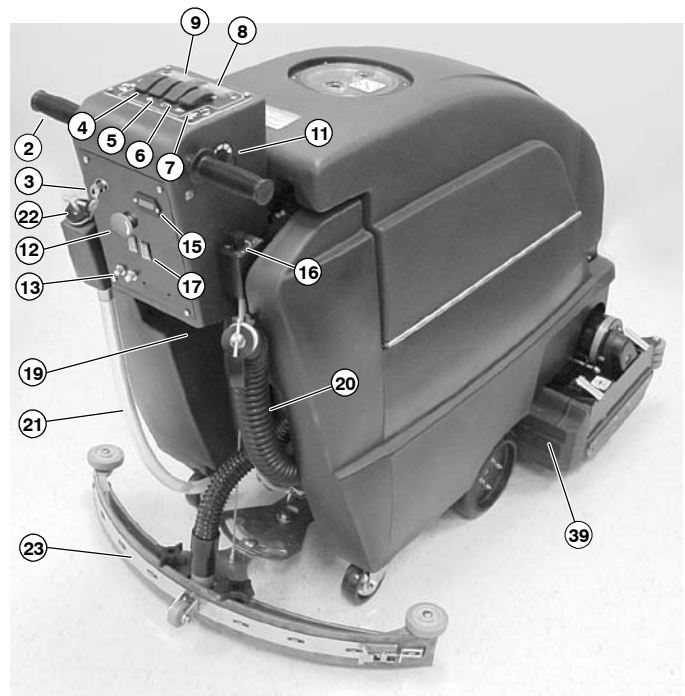
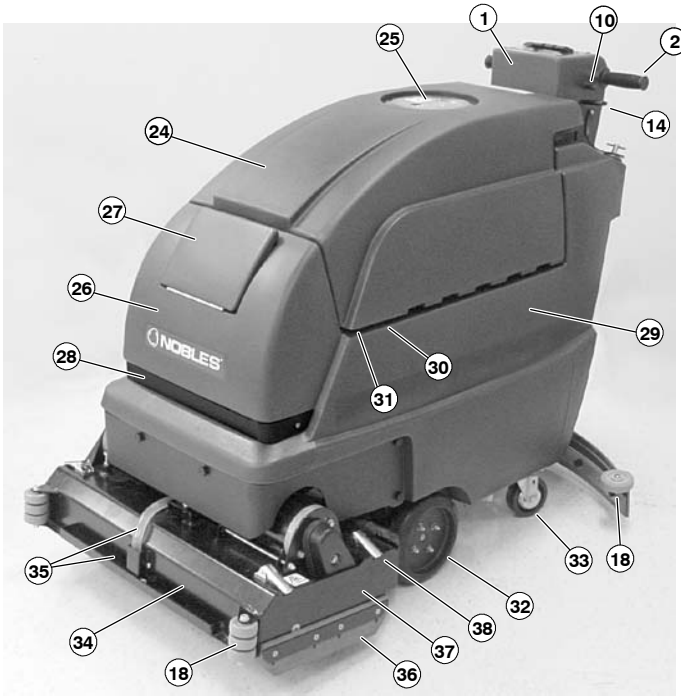


MOVING PARTS LABEL - LOCATED ON THE BRUSH HEAD SHROUD.

⚠ WARNING: Moving parts. Turn off power before working on machine.

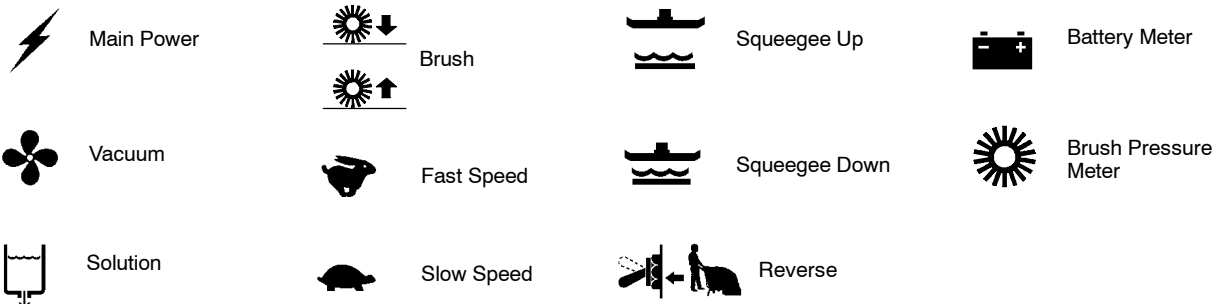
OPERATION

MACHINE COMPONENTS



- | | | |
|--------------------------------------|---|----------------------------------|
| 1. Control Console | 14. Squeegee Lift Lever | 27. Solution Tank Fill Door |
| 2. Control Twist Grips | 15. Low Voltage Meter (Optional) | 28. Safety Lights |
| 3. Key Switch (Optional) | 16. Solution Flow Adjustment Knob | 29. Battery Compartment |
| 4. Main Power ON/OFF Switch | 17. ES (Extended Scrub) Switch (Optional) | 30. Charger Plug |
| 5. Vacuum ON/OFF Switch | 18. Wall Rollers | 31. Hour Meter (Optional) |
| 6. Solution ON/OFF Switch | 19. Adjustable Control Console Levers | 32. Drive Wheels |
| 7. Brush Pressure Switch | 20. Recovery Tank Drain Hose | 33. Rear Casters |
| 8. Brush Pressure Meter | 21. Solution Tank Drain Hose | 34. Cylindrical Brush Scrub Head |
| 9. Battery Meter | 22. Rear Fill Port | 35. Solution Feed Hose/Trough |
| 10. Reverse Switch | 23. Squeegee Assembly | 36. Scrub Head Skirt |
| 11. Speed Control Knob | 24. Recovery Tank | 37. Brush Idler Plate |
| 12. Power Kill Button (Optional) | 25. Recovery Tank Lid | 38. Idler Plate Latch |
| 13. Main, Vac/Drive Circuit Breakers | 26. Solution Tank | 39. Debris Trough |

CONTROL PANEL SYMBOLS



MACHINE INSTALLATION

UNCRATING MACHINE

1. Carefully check carton for signs of damage. Report damages at once to carrier.
2. Check Carton Contents list, contact distributor for missing items.
Carton Contents:
 - Machine, Model No. 1002193
 - 24DC/120AC, 20A Battery Charger (#603235)
 - 2 - 12V, 215 AH Batteries (Installed)
 - 2- Cylindrical Brushes
 - Squeegee Assembly
3. To uncrate the machine, remove the rear and front shipping brackets that secure the machine to the pallet. Remove the rear 4x4 board from the pallet and carefully back the machine off the pallet. The pallet will tip downward creating a ramp. Make sure the scrub head is in the raised position.

ATTENTION: Do not push machine off pallet edge, machine damage may occur.

INSTALLING BATTERIES

⚠ WARNING: Keep Sparks And Open Flame Away. Keep Battery Hood Open When Charging.

FOR SAFETY: When servicing machine, wear protective gloves and safety glasses when handling batteries or battery cables. Avoid contact with battery acid.

Recommended Battery Specifications:

Two 12 volt, deep cycle, 215 A hour batteries.
Maximum battery dimensions are 7 in / 178 mm W x 15 in / 381 mm L x 14 in / 356 mm H.

1. Park the machine on a level surface and turn all switches to the OFF position.
2. Hinge open recovery tank to access battery compartment. Make sure recovery tank is drained before opening (Figure 1).



FIG. 1

3. Carefully install batteries into battery tray at bottom of compartment and arrange battery posts as shown (Figure 2).

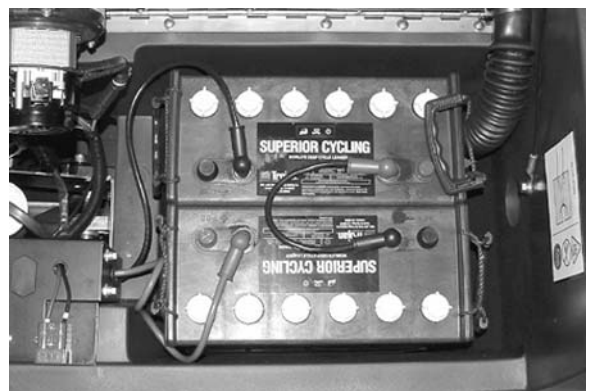


FIG. 2

ATTENTION: Do not drop batteries into compartment, battery and machine housing damage may result. This damage is not covered by warranty.

4. Before connecting battery cables, make sure terminals and posts are clean. Use a post cleaner and wire brush if necessary.

NOTE: Apply a light coating of non-metallic grease or protective spray on the cable connections to prevent battery corrosion.

5. Connect cables to battery posts as shown (Figure 2), RED TO POSITIVE & BLACK TO NEGATIVE. Use the rubber boot post protectors supplied.
6. After batteries are properly installed, check battery meter charge level. The machine must be in full operation for an accurate reading (See MACHINE OPERATION). Charge batteries if needed.

OPERATION

MACHINE SETUP

ATTACHING SQUEEGEE ASSEMBLY

1. Turn main power switch to the OFF position.

FOR SAFETY: Before leaving or servicing machine, stop on level surface and turn off machine.

2. Pull back on squeegee lift lever to raise the squeegee mount bracket (Figure 3).

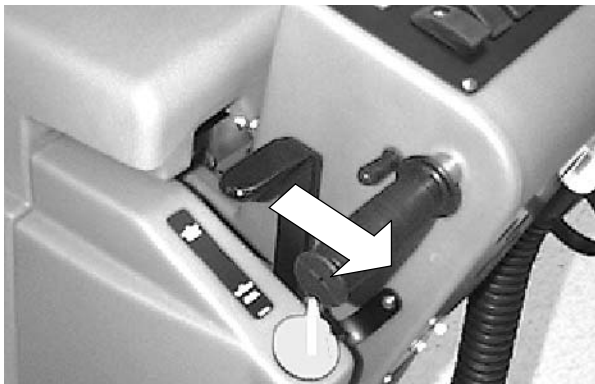


FIG. 3

3. Loosen the two thumb knobs on squeegee assembly and slide squeegee into slots on squeegee mount bracket (Figure 4).

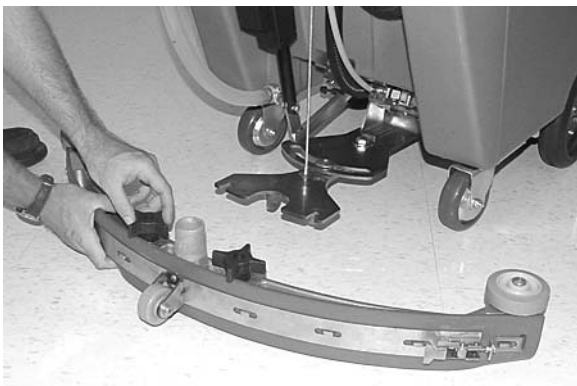


FIG. 4

4. Tighten thumb knobs securely.
5. Connect vacuum hose from machine to squeegee assembly (Figure 5).

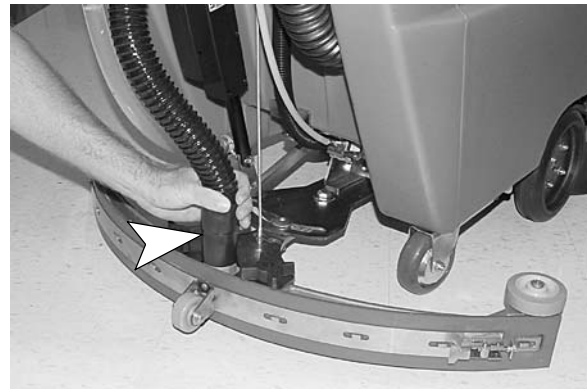


FIG. 5

INSTALLING BRUSHES

1. Turn the main power switch to the ON position and raise the scrub head. Press bottom half of brush pressure switch to raise. Hold switch down until scrub head actuator turns off (Figure 6).

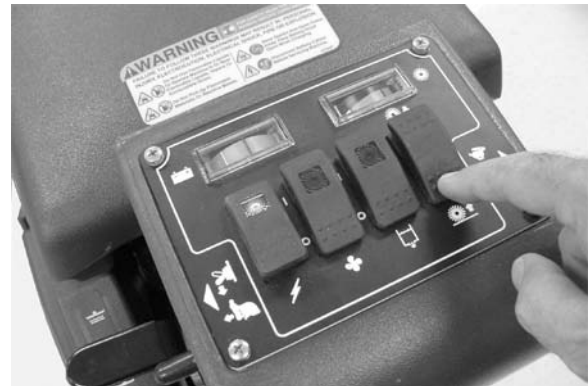


FIG. 6

2. Then turn main power switch to the OFF position after raising scrub head.

FOR SAFETY: Before leaving or servicing machine, stop on level surface and turn off machine.

3. Remove idler plate from scrub head by releasing latches on top of scrub head (Figure 7).

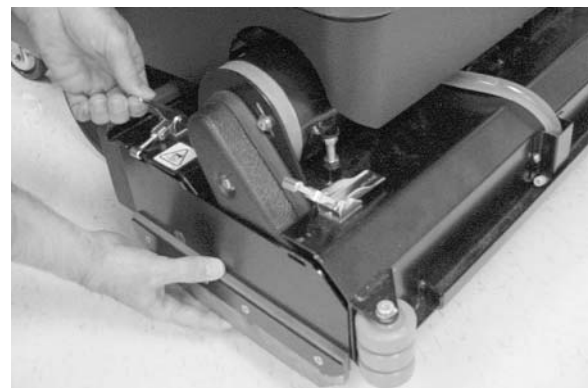


FIG. 7

4. With the double bristle row end towards you, guide the brush into the drive hub (Figure 8).

NOTE: Installing the double bristle row end opposite of drive hub will prevent brush streaking while scrubbing.

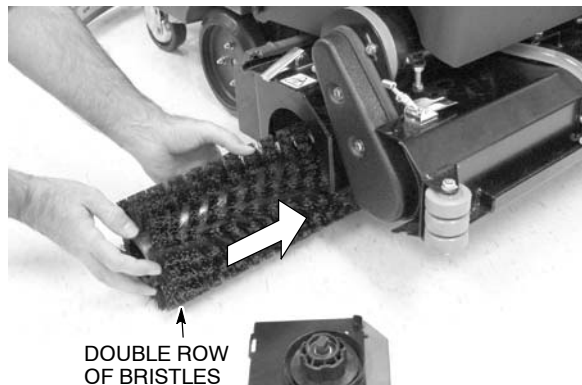


FIG. 8

5. Align idler plate on brush end and refasten latches.
6. Repeat steps for other brush on opposite side of scrub head.
7. Check for proper brush pattern (see ADJUSTING BRUSHES).

FILLING SOLUTION TANK

1. Transport machine to filling station. Raise squeegee and scrub head when transporting.
2. Turn the main power switch to the OFF position.
3. The solution tank is equipped with front and rear filling ports for your convenience (Figure 9). Fill solution tank with 17 gal / 64 L of clean water, 140° F / 60° C maximum temperature. The clear tube below the rear fill port indicates the amount of water in solution tank.

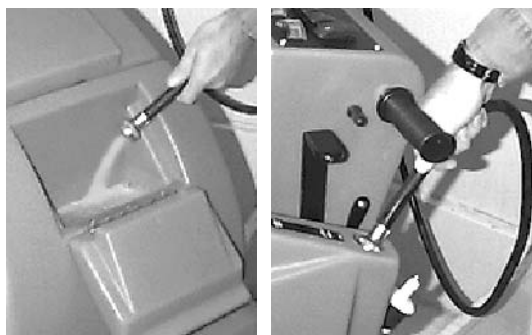


FIG. 9

NOTE: When filling solution tank with a bucket, make sure that bucket is clean. Do not use the same bucket for filling and emptying the machine.

4. Pour a recommended cleaning agent into solution tank according to mixing instructions on bottle.

FOR SAFETY: When using machine, follow mixing and handling instructions on chemical containers.

ATTENTION: Use only recommended cleaning agents, DO NOT use substitutes. Consult an authorized distributor for recommendations.

⚠ WARNING: Do Not Use Flammable Liquids Or Operate Machine In Or Near Flammable Liquids, Vapors Or Combustible Dusts.

ADJUSTING CONTROL GRIP HEIGHT

The machine has three control grip height settings.

To adjust, squeeze together the two levers below console and lift or lower console to a comfortable operating height (Figure 10).

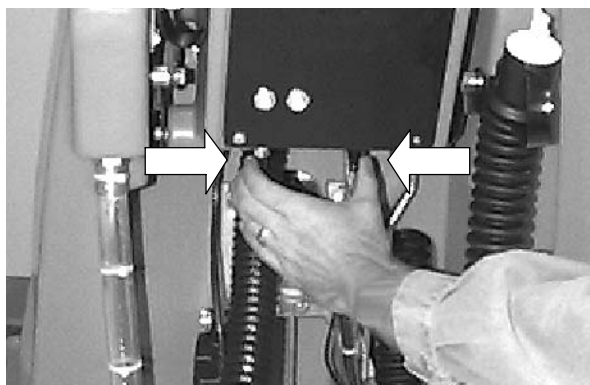


FIG. 10

MACHINE OPERATION

FOR SAFETY: Do not operate machine unless operator manual is read and understood.

PRE-OPERATION CHECKS

- Check battery meter charge level to ensure batteries are fully charged (See CHARGING BATTERIES).
- Check condition of brushes.
- Check condition of squeegee blades.
- Check that debris trough is installed and empty.

OPERATION

OPERATING MACHINE

1. Disengage the squeegee lift lever from the up position and lower squeegee (Figure 11).

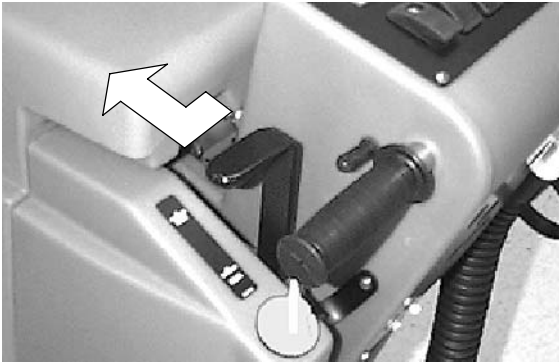


FIG. 11

2. Turn the main power switch to the on position.
3. Lower the scrub head to the floor. Press and hold top half of brush pressure switch to lower (Figure 12).



FIG. 12

4. Turn the vacuum and solution switches to the ON position.

NOTE: The brushes and solution flow will start when control grips are rotated.

5. Before starting, turn the speed control knob to slowest setting to avoid an abrupt take-off (Figure 13).
6. Begin scrubbing by rotating control grips forward. Gradually increase your speed by turning speed control knob forward (Figure 13).



FIG. 13

7. Once machine begins to move, check the needle position of the brush pressure meter. Depress the brush pressure switch to adjust pressure. Do not operate machine in the red zone (Figure 14).



FIG. 14

ATTENTION: To prevent floor damage and brush motor overload, do not operate brush pressure meter in red zone.

8. To operate machine in reverse, simply pull the reverse switch backwards (Figure 15).



FIG. 15

9. To stop machine, gradually release the control grips.

WHILE OPERATING MACHINE

⚠ WARNING: Do Not Pick Up Flammable Materials Or Reactive Metals.

FOR SAFETY: When using machine, go slow on inclines and slippery surfaces.

1. Observe the amount of solution flow on floor. To increase or decrease water flow, adjust the solution control knob (Figure 16).



FIG. 16

2. Periodically observe recovery tank for excessive foam. If excessive foam appears, pour a recommended foam control solution into recovery tank.

ATTENTION: Do not allow foam or water to enter float shut-off screen, vacuum motor damage will result. Foam will not activate the float shut-off screen.

3. Always operate at a slower speed when scrubbing around walls or obstacles.
4. Always reduce speed to maintain control when turning machine.
5. If squeegee leaves streaks, raise and wipe blades with a cloth. Pre-sweep area to prevent streaking.
6. Overlap each pass by 2 in / 51 mm.
7. Change brushes when worn.
8. If you experience excessive brush vibration or poor scrubbing performance, see ADJUSTING SCRUB HEAD.
9. Stay clear of floor obstructions, such as electrical plates or grates, they will destroy brushes.
10. During brief stops, brushes and solution flow will automatically stop when control grips are released.
11. Periodically check battery meter discharge level. When needle nears the red zone, recharge batteries.

ATTENTION: Do not run machine when battery meter needle is in the red zone, battery damage will result.

12. While cleaning, view the clear tube at rear of machine for remaining cleaning solution.
13. When solution tank runs dry, turn off solution switch, and continue to vacuum until all dirty water is consumed. Then drain recovery tank (see DRAINING TANKS).
14. When cleaning on inclines, always clean moving downward, never upward. Never climb inclines that exceed 5 degrees, machine damage may occur.

STOPPING MACHINE

1. Turn solution switch off and continue to vacuum until all solution is consumed.
2. Release control grips.
3. Raise squeegee.
4. Turn machine off and remove key if equipped.

FOR SAFETY: Before leaving or servicing machine, stop on level surface and turn off machine.

EMERGENCY STOPPING (OPTION)

To stop machine in the case of an emergency, strike the red power kill button located at rear of control console. The power kill button immediately stops all power to machine (Figure 17).

To reset power kill button, shut off all switches and turn kill button to the right. Resume to normal operation.

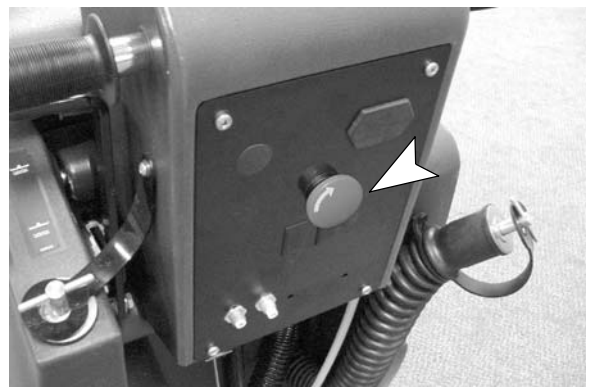


FIG. 17

OPERATION

CIRCUIT BREAKERS

The machine is equipped with (4) resettable circuit breakers to protect machine from damage.

If circuit breakers should trip, the breakers will not reset immediately upon tripping. Determine cause, allow motor to cool then manually reset circuit breaker button.

The brush motor circuit breakers may trip due to excessive brush pressure. Reduce brush pressure. Brush motor circuit breakers (25 amp) are located near the charger plug.

The main (10 amp) and drive/vacuum (35 amp) circuit breakers are located at rear of machine (Figure 18).

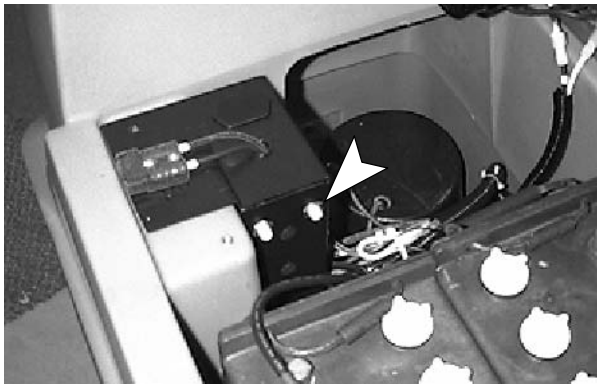


FIG. 18



DRAINING TANKS

FOR SAFETY: Before leaving or servicing machine, stop on level surface and turn off machine.

DRAINING RECOVERY TANK

When finished scrubbing or when refilling solution tank, recovery tank should be drained and cleaned.

ATTENTION: If recovery tank is not drained before refilling, foam or water will enter float shut-off screen and vacuum motor damage will result.

1. Remove drain hose from holder, position hose over floor drain and twist off drain hose cap. To completely drain recovery tank, hinge open tank and flip up tank support stand to rest tank on (Figure 19).

NOTE: If using a bucket to drain machine, do not use same bucket for filling solution tank. This will prevent possible solution line clogs.



FIG. 19

2. Clean recovery tank after each use. Use a hose to rinse out tank. Be careful not to spray water into float shut-off screen.
3. Replace drain hose cap tightly after draining.

DRAINING SOLUTION TANK

To drain leftover cleaning solution from solution tank, perform the following steps:

1. Pull the clear hose off hose barb at rear of machine and drain solution into floor drain or bucket (Figure 20).

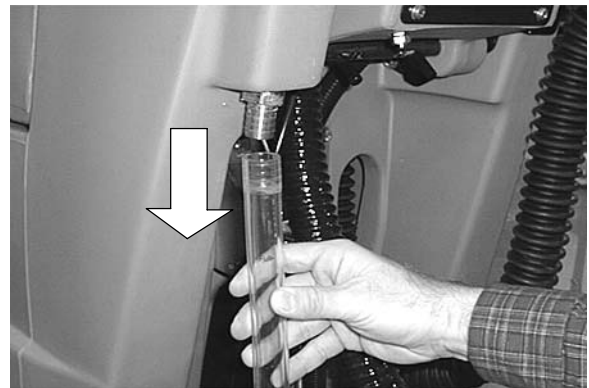


FIG. 20

2. Rinse out solution tank and solution flow system with clean water after each use. This will prevent clogging due to chemical buildup.

3. Reconnect solution tank drain hose securely after draining.

ADJUSTING BRUSHES

On a monthly basis or after installing new brushes, check the brush pattern to ensure brushes are properly adjusted. Brushes that are installed improperly will result in premature brush wear and poor scrubbing performance.

NOTE: If machine is equipped with air-filled tires, fill solution tank before checking or adjusting brushes.

1. Apply a powdered substance, such as chalk, on a smooth, level floor.
2. With scrub head raised, position scrub head over test area.
3. Place blocks behind each drive wheel to keep machine stationary and turn speed control knob to slowest setting.
4. Lower scrub head to floor and apply maximum down pressure.
5. Make sure that the solution switch is in the OFF position.
6. Briefly rotate control grips forward for 2 seconds.
7. Raise scrub head and reverse machine from test area.
8. Observe brush pattern on floor. Both brushes should leave an even, parallel pattern (Figure 21).

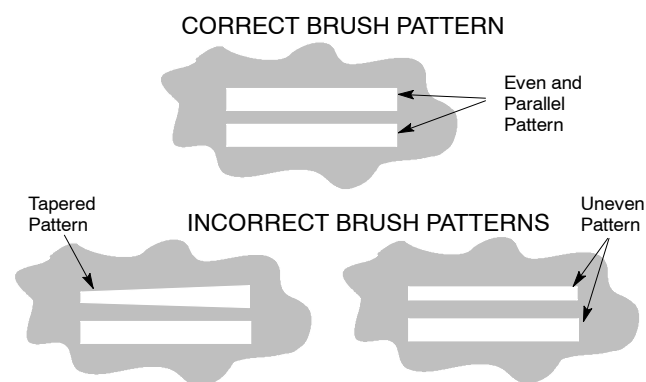


FIG. 21

9. If brush pattern represents one of the incorrect patterns, adjustment is required.

TO ADJUST BRUSH WITH UNEVEN PATTERN:

1. Lower scrub head to floor and apply maximum down pressure.
2. Turn machine off and remove key if equipped.

FOR SAFETY: Before leaving or servicing machine, stop on level surface and turn off machine.

3. Measure the distance from top edge of scrub head to floor at front and rear. The dimension at front of scrub head should be 0.25 in / 6.35 mm lower than the rear (Figure 22).

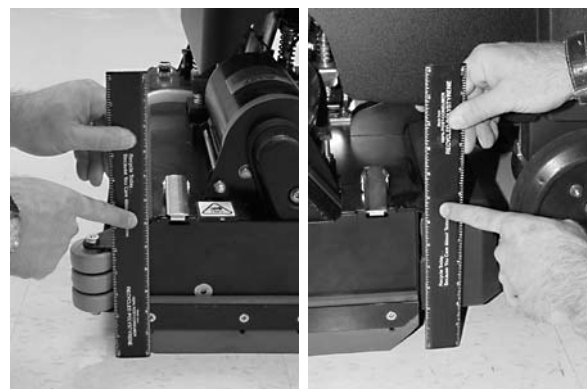


FIG. 22

4. To adjust scrub head, slightly loosen the (4) lock nuts on the roller mounting bracket and the jam nut on the scrub head leveling knob (Figure 23). Turn knob clockwise to lower rear of scrub head and counter-clockwise to lower front. 13mm socket wrench required.



FIG. 23

5. After adjustment is made retighten nuts and recheck brush pattern. Readjust if necessary.

OPERATION

TO ADJUST BRUSH WITH TAPERED PATTERN:

1. Raise scrub head off floor and turn machine off.

FOR SAFETY: Before leaving or servicing machine, stop on level surface and turn off machine.

2. Remove the idler plate from scrub head by releasing latches on top of scrub head (Figure 24).



FIG. 24

3. Remove plate from end of brush.
4. Hold idler hub shaft with 3/8" wrench and loosen Allen head screw with 6 mm Allen wrench (Figure 25).



FIG. 25

5. When adjusting front brush, turn shaft clockwise to lower brush end. If adjusting rear brush, turn shaft counter-clockwise to lower brush end. Retighten Allen screw after adjusting (Figure 26).

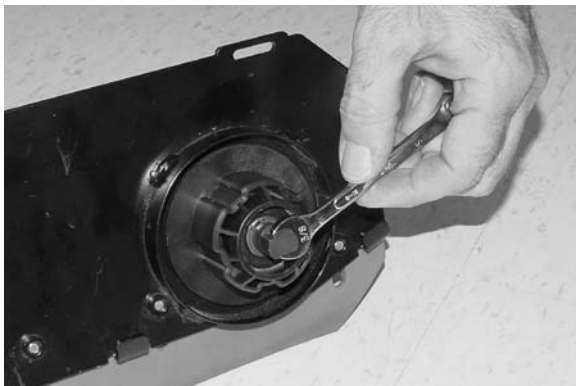


FIG. 26

6. Replace idler plate and recheck brush pattern. Readjust if necessary.

CHARGING BATTERIES

ATTENTION: To prolong the life of the batteries and to provide optimum machine performance, ONLY recharge the batteries after a total of 30 minutes of use or more. Do not leave batteries discharged for lengthy periods.

The following charging instructions are intended for battery chargers supplied with the machine. Only use a battery charger with the following specifications to prevent battery damage.

BATTERY CHARGER SPECIFICATIONS:

- CHARGER TYPE: FOR LEAD ACID BATTERIES
- OUTPUT VOLTAGE - 24 VOLTS
- OUTPUT CURRENT - 25 AMPS MAXIMUM
- AUTOMATIC SHUT-OFF CIRCUIT
- FOR DEEP CYCLE BATTERY CHARGING

1. Transport machine to a well ventilated area for charging.

⚠ WARNING: Fire Or Explosion Hazard. Batteries Emit Hydrogen Gas. Keep Sparks And Open Flame Away. Keep Battery Compartment Open When Charging.

2. Before charging the batteries, check the electrolyte level in each battery cell (Figure 27).



FIG. 27

FOR SAFETY: When servicing machine, wear protective gloves and eye protection when handling batteries or battery cables. Avoid contact with battery acid.

The electrolyte level (A) should slightly cover the battery plates (B). Add distilled water as needed. **DO NOT OVERFILL**, the fluid may expand and overflow while charging. Replace cell caps before charging (Figure 28).

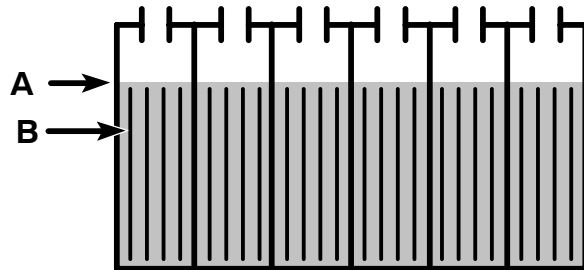


FIG. 28

3. Connect the charger's AC power supply cord to a properly grounded receptacle (Figure 29).

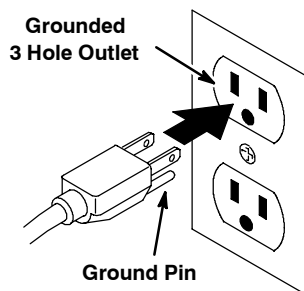


FIG. 29

4. Plug charger's DC output connector to battery connector located near battery compartment (Figure 30).

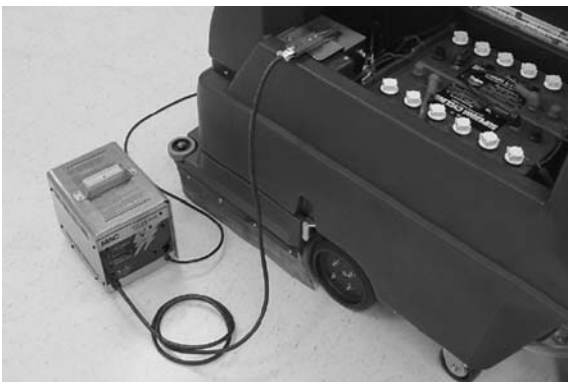


FIG. 30

5. The charger will automatically begin charging and shut off when fully charged.
6. Rest the recovery tank on the support stand to promote ventilation during charging (Figure 31).



FIG. 31

ATTENTION: Do not disconnect the charger's DC cord from the machine's receptacle when the charger is operating. Arcing may result. If the charger must be interrupted during charging, disconnect the AC power supply cord first.

⚠ WARNING: Fire Or Explosion Hazard. Batteries Emit Hydrogen Gas. Keep Sparks And Open Flame Away. Keep Battery Compartment Open When Charging.

7. After charging, check the electrolyte level (A) again. The level should be approximately 0.38 in / 1 cm from the bottom of the fill-port (B) (Figure 32). Add distilled water if needed. **DO NOT OVERFILL.**

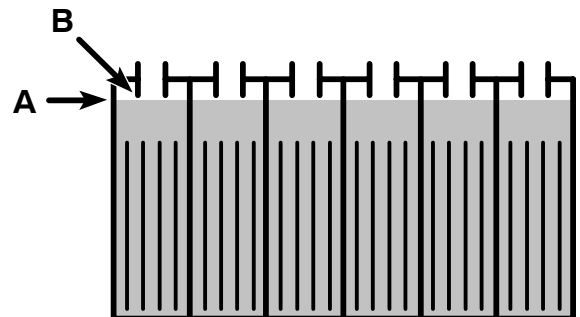


FIG. 32

OPERATION

MACHINE MAINTENANCE

To keep machine in good working condition, simply follow the daily, weekly and monthly maintenance procedures.

FOR SAFETY: Before leaving or servicing machine, stop on level surface and turn off machine.

⚠ WARNING: Disconnect Battery Cables Before Servicing Machine.

ATTENTION: Contact an Authorized Service Center for machine repairs. Machine repairs performed by other than an authorized person will void your warranty.

DAILY MAINTENANCE (Every 4 Hours of Operation)

1. Drain and rinse tanks thoroughly (Figure 33). After draining tanks, hinge recovery tank until you can see vacuum intake hole at rear of tank. Remove any debris in hole if necessary.



FIG. 33

2. Remove and rinse off the float shut-off screen located in recovery tank (Figure 34).



FIG. 34

3. Empty and rinse out debris trough (Figure 35).

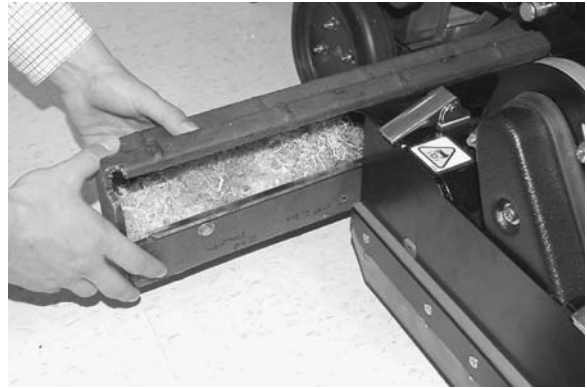


FIG. 35

4. Wipe blades down with a dry cloth and store squeegee in the up position to prevent squeegee damage (Figure 36). Check squeegee blades for damage and wear. Rotate or replace blades when worn or damaged.

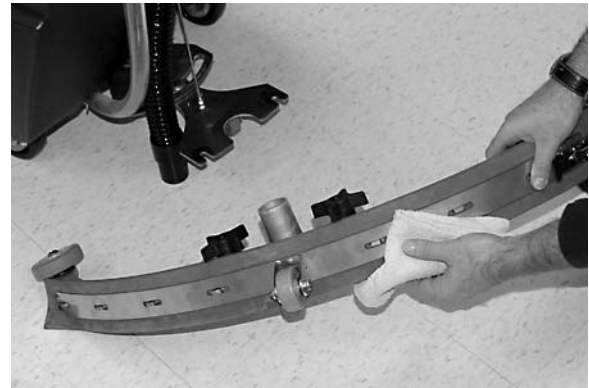


FIG. 36

5. Check brushes for wear and entangled debris. Change brushes if bristles are worn to a length of 0.38 in / 10 mm or less (Figure 37).



FIG. 37

6. Check scrub head skirts for wear and adjustment. Skirts should touch floor, adjust if necessary (Figure 38). Replace if damaged.

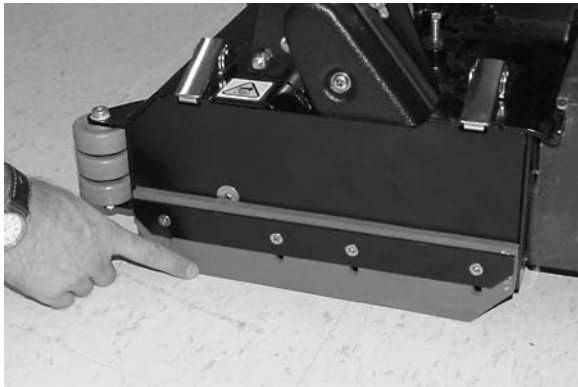


FIG. 38

NOTE: Always replace brushes as a set. Never replace just one.

7. Clean machine housing with a nonabrasive, nonsolvent cleaner (Figure 39).



FIG. 39

ATTENTION: Do not power spray or hose off machine. Electrical component damage may result.

8. Rinse out solution feed trough.
9. Recharge batteries if needed.

NOTE: To prolong the battery life, ONLY recharge the batteries if discharged more than 15% of the battery capacity.

WEEKLY MAINTENANCE (Every 20 Hours of Operation)

1. Remove the solution tank filter and rinse out. Before removing filter, be certain solution tank is empty. Filter is located under machine at rear (Figure 40).

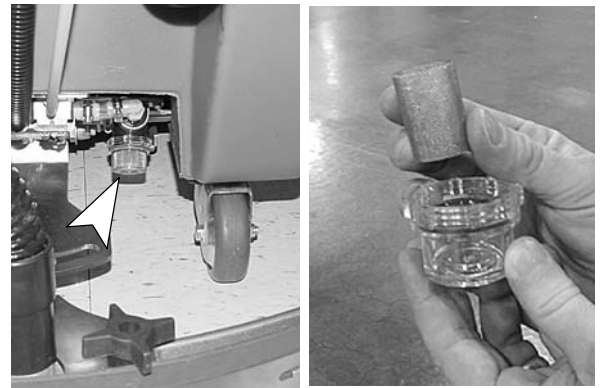


FIG. 40

2. Check electrolyte level in each battery cell (see BATTERY MAINTENANCE).
3. Clean battery tops with to prevent corrosion (see BATTERY MAINTENANCE).
4. Check for loose or corroded battery cables.

MONTHLY MAINTENANCE (Every 80 Hours of Operation)

1. Flush solution system with a mixture of water and a recommended neutralizer liquid to dissolve chemical buildup. Pour 3 gal / 11.3 L of clean water into solution tank, 140° F / 60° C maximum temperature. Add neutralizer liquid according to mixing instructions. Over a floor drain, briefly operate machine, ES option, and wand option for 30 seconds each. Turn machine off and leave machine sit overnight. Next day, disperse remaining mixture then rinse solution system with clean water.

NOTE: Contact your chemical supplier for a recommended neutralizer liquid.

FOR SAFETY: When using machine, follow mixing and handling instructions on chemical containers.

2. Check brush pattern for proper adjustment (see ADJUSTING BRUSHES).
3. Lubricate caster grease fittings with a water resistant grease (Figure 41).

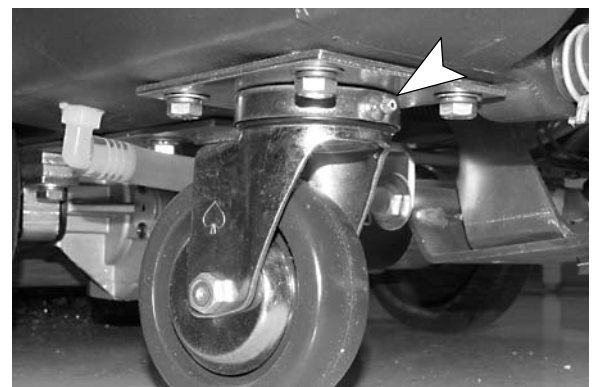


FIG. 41

OPERATION

4. Lubricate all linkage pivot points with silicone spray then coat with a water resistant grease to maintain a smooth operation.
5. Check brush belt tension. Proper belt deflection should be 0.25 in / 6.35 mm at midpoint, with 12.0-12.8 lb / 5.44-5.81 kg force (Figure 42).

FOR SAFETY: When servicing machine, disconnect battery connections before working on machine.

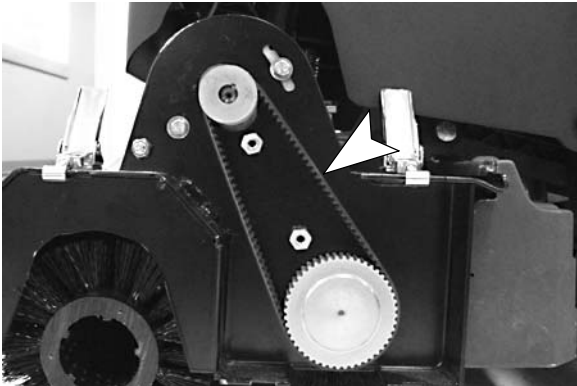


FIG. 42

To adjust belt tension, loosen the two motor mount screws and turn adjustment screw (Figure 43). Retighten screws and jam nut after adjusting.

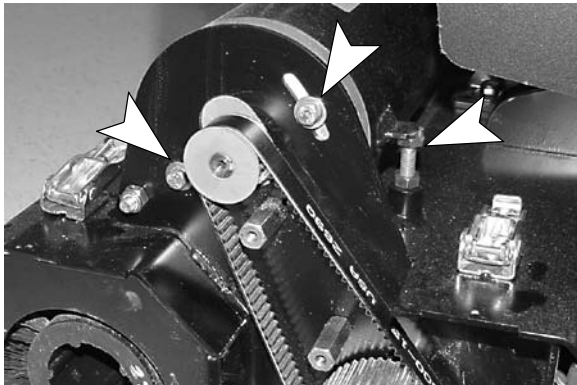


FIG. 43

ATTENTION: Contact an Authorized Service Center for machine repairs.

6. Check machine for water leaks and loose nuts and bolts.

QUARTERLY MAINTENANCE (Every 250 Hours of Operation)

Check drive, vacuum and brush motors for carbon brush wear, replace brushes if worn to a length of 0.38 in / 10mm or less.

Contact an Authorized Service Center for carbon brush inspection.

FOR SAFETY: When servicing machine, all repairs must be performed by a qualified service person.

SQUEEGEE BLADE REPLACEMENT

The squeegee has two squeegee blades. The rear squeegee blade has four wiping edges, the front blade has two wiping edges. When the blades become worn, simply rotate the blades to a new wiping edge. Replace blade if all wiping edges are worn.

Rotating or replacing the rear blade:

1. Remove the squeegee assembly from the machine.
2. Loosen the band clamp and remove the band from the squeegee assembly (Figure 44).

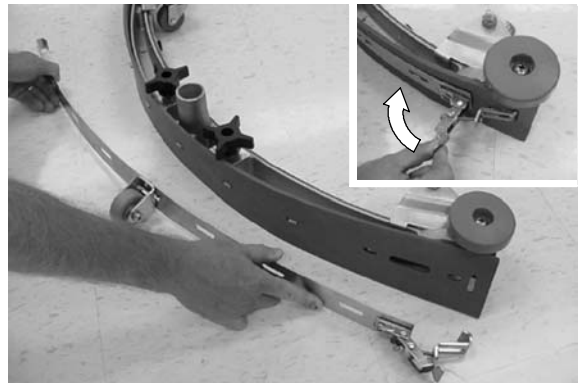


FIG. 44

3. Rotate the rear blade to a new wiping edge and reinstall the band (Figure 45).

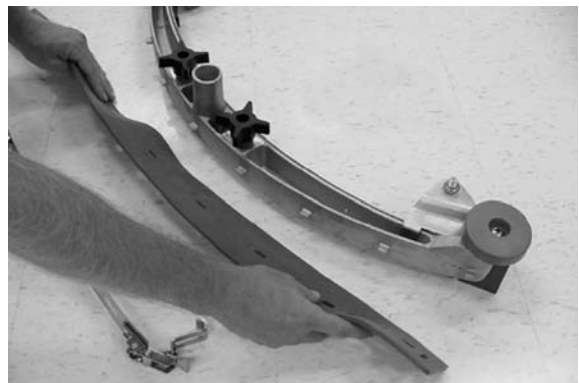


FIG. 45

Rotating or replacing the front blade:

1. Remove the squeegee assembly from the machine.
2. Remove the six thumbscrews holding the retainer and squeegee blade to the squeegee frame. Rotate the squeegee blade end for end to allow a new edge to face the front of the machine. Make sure the notched edge of the blade is facing downward (Figure 46).

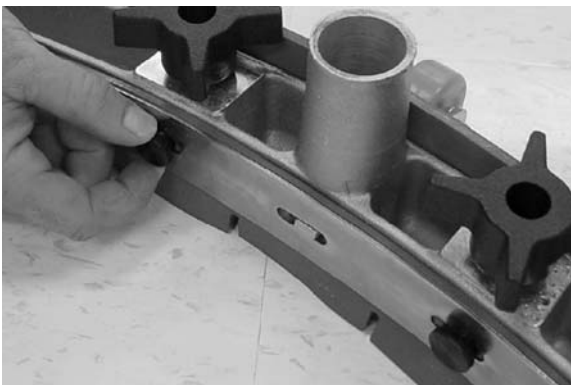


FIG. 46

SQUEEGEE BLADE ADJUSTMENT

For optimum squeegee blade performance, the squeegee assembly casters must be adjusted to a specified height as described below.

1. To check the squeegee assembly for proper adjustment, remove the squeegee assembly from the machine and place it on a level surface. Measure the distance between the caster and the surface. It should measure approximately 1/16 in / 2mm (Figure 47).
2. To adjust the caster height, loosen the top nut and remove the plastic bearing cover to access the adjustment nut. Turn the adjustment nut until properly adjusted (Figure 47). After adjusting, tighten the top nut and replace the plastic bearing cover. Repeat step for the other caster.

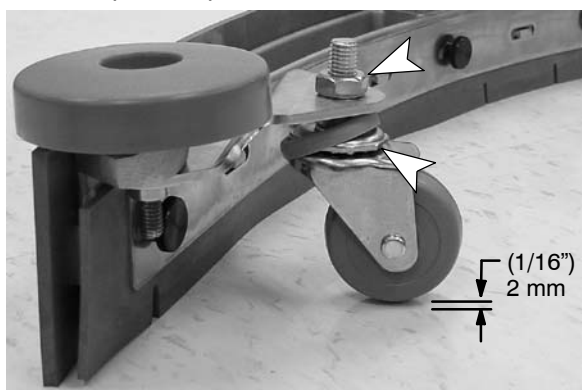


FIG. 47

3. During machine operation, with the casters properly adjusted, the squeegee blades should deflect as shown (Figure 48).

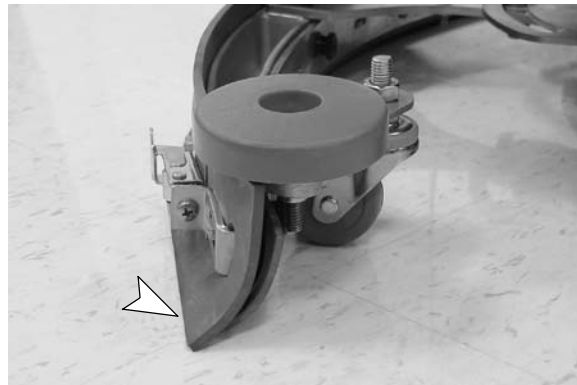


FIG. 48

BATTERY MAINTENANCE

⚠ WARNING: Fire Or Explosion Hazard. Batteries Emit Hydrogen Gas. Keep Sparks And Open Flame Away. Keep Battery Compartment Open When Charging.

FOR SAFETY: When servicing machine, wear protective gloves and eye protection when handling batteries and battery cables. Avoid contact with battery acid.

1. Check the specific gravity using a hydrometer to determine the charge level and the condition of the batteries (Figure 49). If one or more of the battery cells read lower than the other battery cells (0.050 or more), the cell is damaged, shorted, or is about to fail. Check the hydrometer readings against the following chart to determine the remaining battery charge level.

NOTE: Do not take readings immediately after adding distilled water. If the water and acid are not thoroughly mixed, the readings may not be accurate.

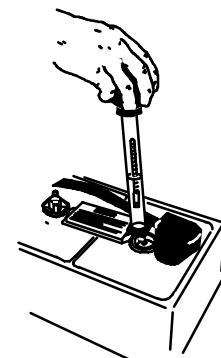


FIG. 49

OPERATION

SPECIFIC GRAVITY at 27°C (80°F)	BATTERY CHARGE
1.265	100% CHARGED
1.223	75% CHARGED
1.185	50% CHARGED
1.148	25% CHARGED
1.110	DISCHARGED

NOTE: If the readings are taken when the battery electrolyte is any temperature other than 80°F / 27°C (), the reading must be temperature corrected. Add or subtract to the specific gravity reading 0.004, 4 points, for each 43°F / 6°C above or below 80°F / 27°C.

- Always follow proper charging instructions (See CHARGING BATTERIES).
- Check the electrolyte level (A) in each battery cell **after charging batteries**. The level should be approximately 1 cm from the bottom of the fill-port (B). Add distilled water if needed (Figure 50). **DO NOT OVERFILL.**

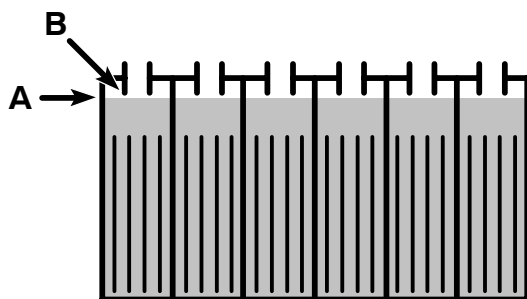


FIG. 50

- Keep the battery tops clean to prevent battery corrosion.

To clean batteries:

FOR SAFETY: When servicing machine, wear protective gloves and eye protection when handling batteries and battery cables. Avoid contact with battery acid.

- Mix a strong solution of baking soda and water (Figure 51).



FIG. 51

- Brush the solution sparingly over the battery tops and cable connectors.

NOTE: Do not allow baking soda solution to enter battery cells.

- Use a wire brush to clean the battery terminals and cable connectors.
- After cleaning, apply a coating of clear battery post protectant to the terminals and cable connectors.

- Check for loose or worn cables. Replace if worn.

TRANSPORTING MACHINE

When transporting machine by use of trailer or truck, be certain to follow tie-down procedures below:

FOR SAFETY: When using machine, go slow on inclines and slippery surfaces.

- Remove squeegee and raise scrub head.
- Load machine using a recommended loading ramp. To prevent machine damage, do not climb ramps that exceed 9 degrees.
- Position front of machine up against front of trailer or truck. Once machine is positioned, lower scrub head.
- Place a block behind each drive wheel and rear casters.
- Place tie-down straps over top of machine and secure straps to floor. It may be necessary to install tie-down brackets to the floor of your trailer or truck.

NOTE: Do not use the control grips to secure machine when transporting.

FOR SAFETY: When transporting machine, use a recommended ramp when loading/unloading into/off truck or trailer, use tie-down straps to secure machine to truck or trailer.

STORING MACHINE

- Before storing machine, be certain to flush tanks and drain machine of all water.
- Store machine in a dry area with squeegee removed and scrub head in the raised position.
- Remove recovery lid to promote air circulation.
- When storing machine, raise pad scrub head and squeegee off floor to prevent damage.

ATTENTION: If storing machine in freezing temperatures, be certain to drain machine of all water. Damage due to freezing temperatures is not covered by warranty.

ATTENTION: Do not expose machine to rain, store indoors.

RECOMMENDED STOCK ITEMS

Refer to Parts List section for recommended stock items. Stock Items are clearly identified with a bullet preceding the parts description. See example below:

Ref.	Part No.	Description	Qty.
1	701106	ASM.,STANDPIPE	1
2	180613	•FLOAT, SHUTOFF	1
3	230187	NIPPLE	1
4	101714	•GASKET	1
5	210240	NUT, FLANGED	1

TROUBLE SHOOTING

PROBLEM	CAUSE	SOLUTION
No power.	Faulty main switch.	Contact Service Center.
	Batteries need charging.	See CHARGING BATTERIES.
	Faulty battery(s).	Replace battery(s).
	Loose battery cable.	Tighten loose cable.
	MAIN circuit breaker has tripped.	Determine cause and reset circuit breaker button.
	Optional power kill button activated.	Turn button clockwise to reset.
Brush motors do not operate.	Control grips are not rotated.	Rotate control grips.
	Brush circuit breaker(s) has tripped.	Clean or replace brushes and reset brush circuit breaker button.
	Faulty brush motor or wiring.	Contact Service Center.
	Carbon brushes worn.	Contact Service Center.
	Faulty brush roll switch or solenoid.	Contact Service Center.
Vacuum motor does not operate.	Faulty vacuum switch.	Contact Service Center.
	Vacuum circuit breaker has tripped.	Remove obstruction and reset breaker.
	Faulty vacuum motor or wiring.	Contact Service Center.
	Carbon brushes worn.	Contact Service Center.
Drive motor does not operate.	Drive motor circuit breaker has tripped.	Determine cause and reset breaker.
	Faulty speed control circuit board or connection.	Contact Service Center.
	Faulty solenoid.	Contact Service Center.
	Faulty drive motor.	Contact Service Center.
	Faulty wiring.	Contact Service Center.
	Worn carbon brushes.	Contact Service Center.
Drive motor operates improperly.	Faulty potentiometer or speed control board.	Contact Service Center.
	Loose wire connection	Contact Service Center.

OPERATION

TROUBLE SHOOTING -continued

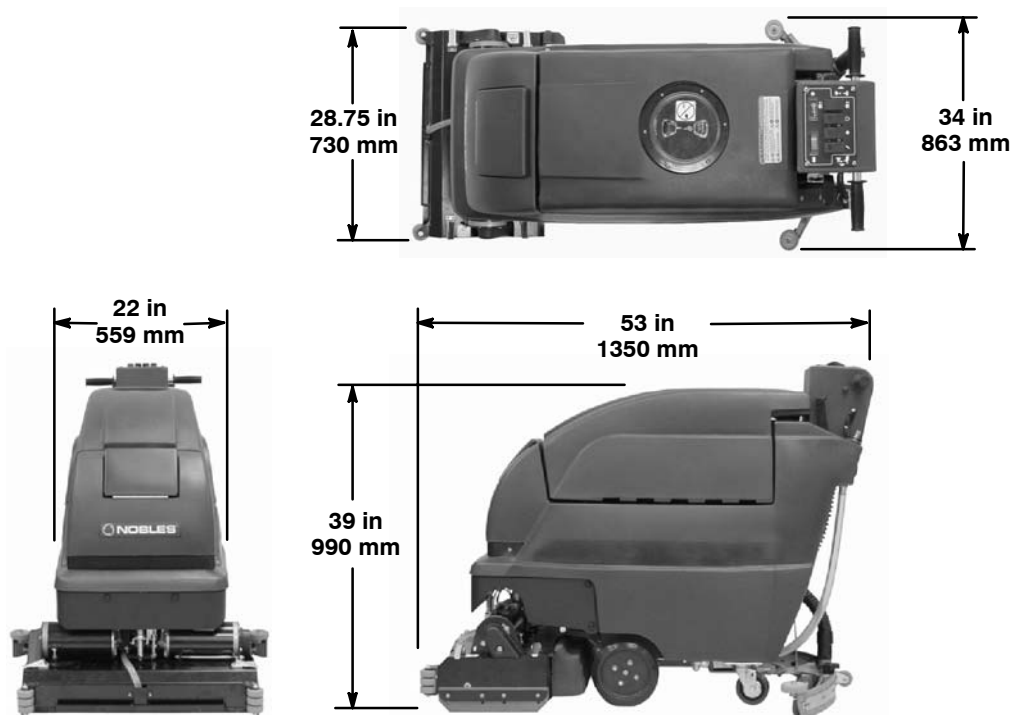
PROBLEM	CAUSE	SOLUTION
Little or no solution flow.	Solution flow adjustment knob needs adjusting.	Turn solution flow knob clockwise to increase flow.
	Solution line or solution tank filter is clogged.	Remove hose and blow compressed air through it. Clean solution tank filter. Flush solution tank after each use.
	Solution valve or solenoid is clogged.	Remove valve or solenoid and clean. Do not scratch inside of valve.
	Faulty solution switch or solenoid.	Contact Service Center.
	Loose set screw on solution knob.	Calibrate knob and retighten screw.
Poor water pick up.	Recovery tank is full.	Empty recovery tank.
	Ball float shut-off screen inside recovery tank is clogged.	Remove screen and clean.
	Squeegee is clogged with debris.	Clean squeegee.
	Squeegee blades are worn.	Replace or rotate squeegee blades.
	Squeegee mount thumbscrews are loose.	Tighten thumbscrews.
	Vacuum hose connections are loose or hose is damaged.	Push hose cuffs firmly on connections. Replace hose if damaged.
	Vacuum hose is clogged with debris.	Remove clogged debris.
	Recovery tank inlet hole is obstructed.	Empty recovery tank and tilt tank sideways to access inlet hole, remove obstruction.
	Recovery tank gasket is defective.	Replace gasket.
	Drain hose plug is loose.	Tighten drain plug.
	Recovery tank lid is loose.	Tighten lid.
	Vacuum motor is loose.	Contact Service Center.
	Battery charge level is low.	Charge batteries. Do not run machine when battery meter is in the red zone.
Short run time.	Batteries not fully charged.	Charge batteries.
	Bad cell in one or more batteries.	Replace battery.
	Batteries need maintenance.	See BATTERY MAINTENANCE.
	Faulty charger.	Replace battery charger.
Safety lights do not work.	Flasher is burned out.	Contact Service Center.

SPECIFICATIONS

MODEL	SPEED SCRUB 2601
LENGTH	53 in / 1350 mm
WIDTH	28.75 in / 730 mm
HEIGHT	39 in / 990 mm
WEIGHT	335 lb / 152 kg 560 lb / 254 Kg with batteries
SOL./REC TANK CAPACITY	17 gal / 64 L
SPEED CONTROL	Variable Fwd. / Fixed Rev.
CLEANING SPEED (MAX)	250 ft / 76.2 m ² per minute
CLEANING PATH WIDTH	26 in / 660 mm
BRUSH DIAMETER	2 - 6 in / 152 mm
BRUSH PRESSURE	Variable 0-90 lb / 0-41 kg
SQUEEGEE WIDTH	33 in / 839 mm
DRIVE SYSTEM	Transaxle, .2 h.p., 24V
BRUSH MOTOR	2 - .75 h.p., 1500 rpm, 24V, 23A, 550W
VACUUM MOTOR	.75 h.p., 3-stage 5.7, 24V, 21A, 550W
WATER LIFT / AIR FLOW	68 in / 1727 mm / 69cfm (2m ³) per minute
BATTERIES	2-12V, 215AH
TOTAL POWER CONSUMPTION	24V, 53 AMP Nominal
RUN TIME PER CHARGE	Up to 4 3/4 hours (3 hours using maximum brush pressure)
DECIBEL RATING AT OPERATOR'S EAR, INDOORS ON TILE.	75 dBA

Specifications are subject to change without notice.

MACHINE DIMENSIONS



OPERACIÓN

Este manual se incluye en todos los modelos nuevos. Proporciona la información necesaria para su utilización y mantenimiento.

Lea todo el manual detenidamente para comprender la máquina antes de utilizarla o revisarla.

Use la Lista de Piezas incluida en este manual al ordenar piezas de repuesto. Antes de ordenar piezas o suministros, asegúrese de tener el número de modelo y el número de serie de su máquina. Las piezas y los suministros pueden ordenarse por teléfono o por correo de cualquier centro autorizado de piezas y servicios, distribuidor de piezas o de cualquier subsidiaria del fabricante.

Esta máquina le proporcionará excelentes resultados. Sin embargo, los resultados serán óptimos a un coste mínimo si:

- Utiliza la máquina con un cuidado razonable.
- Realiza las operaciones de mantenimiento de acuerdo con las instrucciones adjuntas.
- Las operaciones de mantenimiento de la máquina se realizan con piezas suministradas por el fabricante o equivalentes.

DATOS DE LA MÁQUINA

Por favor complete en el momento de la instalación, para referencia futura.

No. de modelo - _____

Fecha de instalación - _____

Nº de Serie- _____



PROTECCIÓN DEL MEDIO AMBIENTE

Deseche el material de embalaje, los componentes usados de la máquina como las baterías y los líquidos peligrosos como el anticongelante y el aceite, de forma segura para el medio ambiente, de acuerdo con las normativas o disposiciones locales.



No olvide reciclar.

ÍNDICE


MEDIDAS DE SEGURIDAD	26	TRANSPORTE DE LA MÁQUINA	44
ETIQUETAS DE ADVERTENCIA	27	ALMACENAMIENTO DE LA MÁQUINA	44
COMPONENTES ESTÁNDAR DE LA MÁQUINA	28	RECOMENDACIONES PARA EL	
SÍMBOLOS DEL PANEL DE CONTROL	28	ALMACENAMIENTO	44
INSTALACIÓN DE LA MÁQUINA	29	LOCALIZACIÓN DE AVERÍAS	45
DESEMBALADO DE LA MÁQUINA	29	ESPECIFICACIONES	47
INSTALACION DE BATERIAS	29	DIMENSIONES DE LA MAQUINA	47
PREPARACIÓN DE LA MÁQUINA	30	DIAGRAMAS ELECTRICAS	72
FIJACIÓN DEL CONJUNTO DE LA		LIST DE PIEZAS	74
ESCOBILLA DE GOMA	30	GRUPE DEL DEPÓSITO DE DISOLUCIÓN .	74
INSTALACION DE LOS CEPILLOS	30	CONJUNTO DEPOSITO RECUPERAR	76
LLENADO DEL DEPÓSITO DE		CONJUNTO CONSOLA DE CONTROLES ..	78
LA DISOLUCIÓN	31	GRUPO DEL ELÉCTRICO/BATERÍA	80
AJUSTE DE LA ALTURA DE LA		GRUPO DE TRANSMISIÓN	82
EMPUÑADURA DE CONTROL	32	GRUPO ACTUADOR DEL CABEZAL	
FUNCIONAMIENTO DE LA MÁQUINA	32	LIMPIADOR	84
COMPROBACIONES PREVIAS A LA PUESTA		GRUPO DEL CABEZAL LIMPIADOR	86
EN FUNCIONAMIENTO	32	CONJUNTO DE PALANCAS SOLUCIÓN ...	90
OPERACION DE LA MAQUINA	32	CONJUNTO DE PALETA PLANCAS	92
MIENTRAS OPERA LA MAQUINA	33	CONJUNTO PALETA	94
PARADA DE LA MÁQUINA	34	OPCIONES	96
PARADA DE EMERGENCIA (OPCIÓN)	34	ES GRUPO DE LA SOLUCIÓN	96
CORTACIRCUITOS	34	GROUPE D'ASPIRATION ET RACLETTE	
VACIADO DE LOS DEPÓSITOS	35	À MAIN	98
VACIADO DEL DEPÓSITO		MEDIDOR DE HORA, BOTÓN DE EMERGENCIA,	
DE RECUPERACIÓN	35	INTERRUPTOR DE LLAVE, HERRAMIENTAS DE	
VACIADO DEL DEPÓSITO DE		BAJO VOLTAGE	99
LA DISOLUCIÓN	35		
AJUSTE DE LOS CEPILLOS	36		
CARGA DE LAS BATERÍAS	37		
MANTENIMIENTO DE MAQUINA	39		
MANTENIMIENTO DIARIO	39		
MANTENIMIENTO SEMANAL	40		
MANTENIMIENTO MENSUAL	41		
MANTENIMIENTO TRIMESTRAL	41		
SUSTITUCIÓN DE LA LÁMINA DE LA			
ESCOBILLA DE GOMA	42		
AJUSTE DE LAS LÁMINAS DE			
LA ESCOBILLA	42		
MANTENIMIENTO DE LA BATERÍA	43		

MEDIDAS DE SEGURIDAD

Esta máquina está diseñada para el uso comercial. Se ha diseñado exclusivamente para limpiar pisos duros en un ambiente interior y no se fabrica para ningún otro uso. Use sólo limpiadores recomendados de pisos comercialmente disponibles para la aplicación de la máquina.

Todos los operadores deben leer, entender y practicar las precauciones siguientes de seguridad.

El siguiente símbolo de alerta de advertencia y el encabezamiento de "PARA SEGURIDAD" se usan en este manual como se indica en su descripción:

 **ADVERTENCIA:** Para advertir de riesgos o prácticas inseguras que podrían resultar en lesiones personales graves o la muerte.

PARA SEGURIDAD: Para identificar acciones que deben seguirse para el funcionamiento seguro del equipo.

El no seguir estas advertencias puede resultar en: lesiones personales, electrocución, choque eléctrico, fuego o explosión.

 **ADVERTENCIA:** Peligro de incendio o explosión:

- Nunca utilice líquidos inflamables ni haga funcionar la máquina en las proximidades de líquidos, vapores o polvos inflamables.
La máquina no está equipada con motores a prueba de explosiones. Los motores eléctricos producirán chispas tanto durante el arranque y como durante su utilización que pueden provocar incendios o explosiones si utiliza la máquina en presencia de líquidos o vapores inflamables o partículas combustibles.
- No recoja materiales inflamables ni metales reactivos.
- Las baterías emiten hidrógeno. Mantenga chispas y llamas alejadas de la máquina. Mantenga el compartimento de la batería abierto mientras realiza la operación de carga.

 **ADVERTENCIA:** Peligro choque eléctrico. Desconecte los cables de la batería antes de realizar reparaciones en la máquina.

 **ADVERTENCIA:** Cepillo giratorio. Mantenga alejadas las manos. Apague la máquina antes de trabajar en ella.

La información siguiente señala condiciones potencialmente peligrosas para el operador o el equipo:

PARA SEGURIDAD:

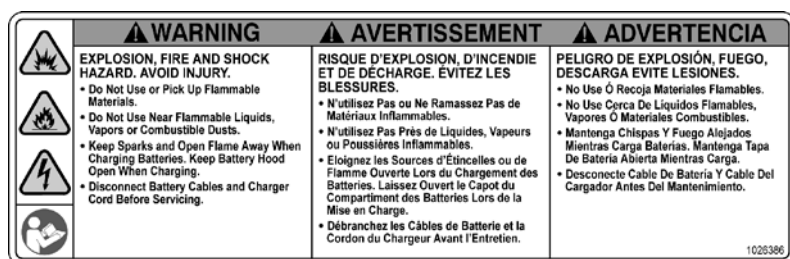
1. No opere la máquina:
 - Con líquidos inflamables o cerca de los vapores inflamables ya que puede ocurrir una explosión o fuego explosivo.
 - A menos que está capacitado y autorizado.
 - A menos que se haya leído y entendido el manual del funcionamiento.
 - Si no está en condición de ejecutar una operación apropiada.
2. Antes de arrancar la máquina:
 - Asegúrese que todos los dispositivos de seguridad están en su lugar y operando apropiadamente.
3. Al usar máquina:
 - Avance lentamente en las cuestas y superficies resbaladizas.
 - Use zapatos antiresbalosos.
 - Sea precavido al retroceder la máquina.
 - Informe inmediatamente acerca de daños o un funcionamiento defectuoso.
 - Nunca permita que los niños jueguen en o alrededor de la máquina.
 - Siga las instrucciones de mezcla y manejo indicados en los recipientes químicos.
4. Antes de salir de o reparar la máquina:
 - Deténgala en una superficie nivelada.
 - Apague la máquina.
5. Al prestar servicio a la máquina:
 - Evite las piezas móviles. No use chaquetas, camisas, o mangas, holgadas.
 - Use gúinches o gatos para soportar el peso de la máquina.
 - Bloquee las ruedas de la máquina antes de alzar.
 - Use protección de los ojos y oídos al usar aire comprimido o agua.
 - Desconecte las conexiones de la batería antes de trabajar en la máquina.
 - Use guantes protectores y lentes de seguridad al manejar baterías o cables de la batería.
 - Evite el contacto con el ácido de la batería.
 - Use piezas de repuesto provistas o aprobadas por el fabricante.
 - Todas las reparaciones deben ser realizadas por una persona de servicio calificada.

- No modifique la máquina de su diseño original.
- 6. Al transportar máquina:
 - Apague la máquina.
 - Obtenga ayuda al alzar la máquina.
- No alce la máquina al instalar las baterías.
- Use una rampa recomendada al cargar/descargar al/ fuera del camión o remolque .
- Use correas de amarre para asegurar la máquina al camión o remolque.

ETIQUETAS DE ADVERTENCIA

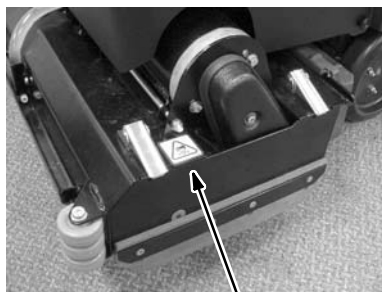
Las etiquetas de advertencia aparecen en la máquina en las ubicaciones indicadas. Reemplace las etiquetas si se dañan o son ilegibles.

ETIQUETA DE ADVERTENCIA - LOCALIZADA EN EL TANQUE DE RECUPERACION.



ETIQUETA DE CARGA DE LA BATERIA - UBICADA DENTRO DEL COMPARTIMIENTO DE LA BATERIA.

⚠ ADVERTENCIA: Mantenga alejada de chispas y llamas expuestas. Al cargar mantenga abierta la cubierta de la batería.

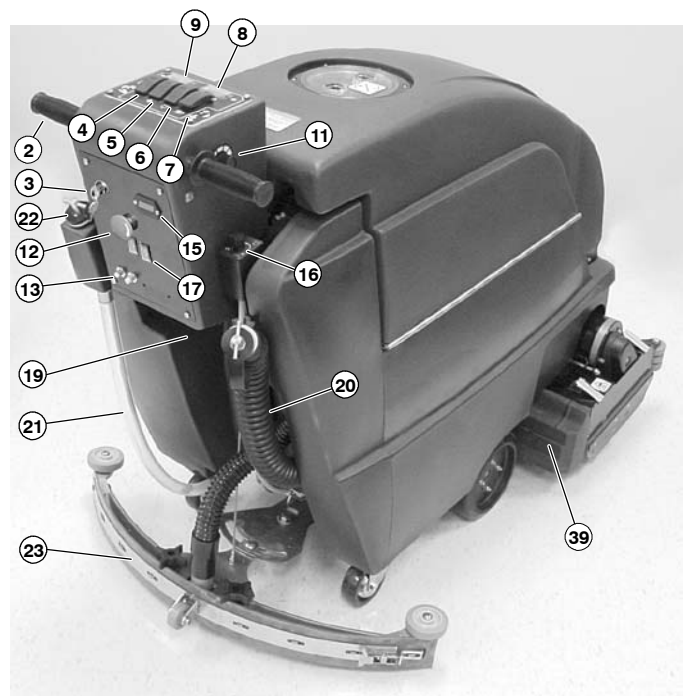
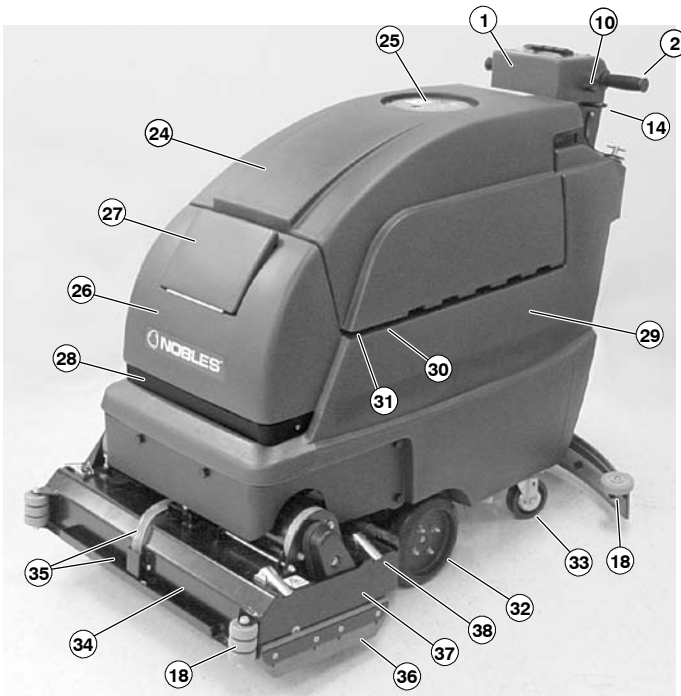


ETIQUETA DE PIEZAS MOVILES - UBICADA EN LA CUBIERTA DEL CABEZAL DEL CEPILLO.

⚠ ADVERTENCIA: Piezas móviles. Apague la electricidad antes de trabajar en máquina.

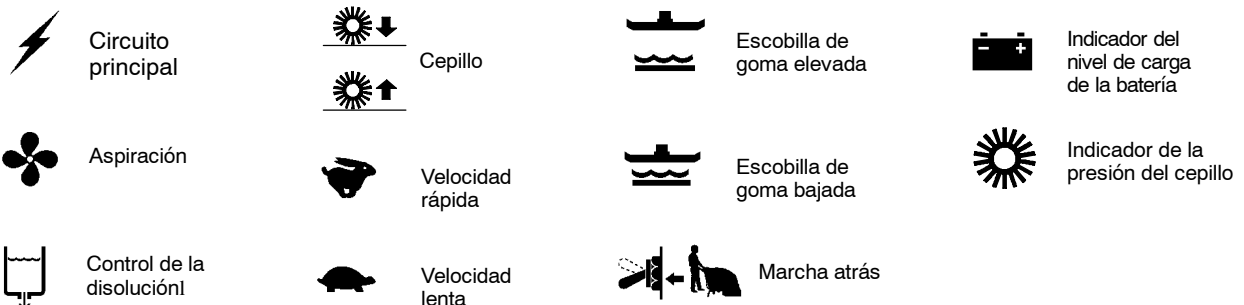
OPERACIÓN

COMPONENTES ESTÁNDAR DE LA MÁQUINA



- | | | |
|---|---|---|
| 1. Consola de control | 14. Palanca de elevación de la escobilla de goma | 26. Depósito de la disolución |
| 2. Mandos giratorios de control | 15. Medidor de voltaje bajo (Opción) | 27. Puerta de llenado del depósito de la disolución |
| 3. Contacto para la llave (Opción) | 16. Mando de ajuste del flujo de la disolución | 28. Luces de seguridad |
| 4. Interruptor principal de encendido/apagado | 17. ES (Opción) | 29. Compartimento de la batería |
| 5. Interruptor de encendido/apagado de la aspiración | 18. Rodillos de pared | 30. Enchufe del cargador |
| 6. Conmutador encendido/apagado de la solución | 19. Palancas de la consola de control ajustable | 31. Contador de horas (Opción) |
| 7. Conmutadores de presión del cepillo | 20. Manguera de vaciado del depósito de recuperación | 32. Ruedas impulsoras |
| 8. Indicador de la presión del cepillo | 21. Manguera de vaciado del depósito de la disolución | 33. Ruedecillas traseras |
| 9. Indicador del nivel de carga de la baterías | 22. Orificio trasero de llenado | 34. Aleta del cepillo |
| 10. Interruptor de marcha atrás | 23. Conjunto de la escobilla de goma | 35. Cabezal de limpieza del cepillo cilíndrico |
| 11. Mando de control de la velocidad | 24. Depósito de recuperación | 36. Manguera/Canaleta de alimentación de solución |
| 12. Botón de parada (Opción) | 25. Tapa del depósito de recuperación | 37. Faldón del cabezal de limpieza |
| 13. Cortacircuitos principal, de impulsión /de aspiración | | 38. Pestillo de la placa intermedia |
| | | 39. Canaleta de residuos |

SÍMBOLOS DEL PANEL DE CONTROL



INSTALACIÓN DE LA MÁQUINA

DESEMBALADO DE LA MÁQUINA

1. Inspeccione cuidadosamente la caja por señales de daños. Informe inmediatamente acerca de daños al transportista.
2. Verifique la lista de contenido de la caja. Consulte con el distribuidor por artículos faltantes.
Contenido de la caja:
 - Máquina, Modelo No. 1002193
 - Cargador de batería de 24CC/120CA, 20A (Nº 603235)
 - 2 - Baterías de 12V, 215 AH (Instaladas)
 - 2 - Cepillos cilíndricos
 - Conjunto del escurridor
3. Para desembalar la máquina, retire los soportes traseros y delanteros de transporte que aseguran la máquina a la tarima. Retire la tabla trasera de 4 x 4 de la tarima y retroceda cuidadosamente la máquina fuera de la tarima. La tarima se inclina creando una rampa. Asegúrese que la base del cepillo está en la posición elevada.

ATENCIÓN: No retire la máquina del pallet haciéndola rodar porque podría averiarse.

INSTALACION DE BATERIAS

⚠ ADVERTENCIA: Mantenga alejada de chispas y llamas expuestas. Al cargar mantenga abierta la cubierta de la batería.

PARA SEGURIDAD: Al prestar servicio a la máquina, use guantes protectores y lentes de seguridad al manejar las baterías o los cables de la batería. Evite el contacto con el ácido de la batería.

Especificaciones de la Batería:

Dos baterías de 12 voltios de ciclo profundo. Consulte a un distribuidor autorizado sobre baterías específicas. Las dimensiones máximas de la batería son 7 pulg / 178 mm ancho x 15 pulg / 381 mm largo x 14 pulg / 356 mm alto.

1. Estacione la máquina en una superficie nivelada y gire todos los conmutadores a la posición OFF.

2. Abra la cubierta abisagrada del tanque de recuperación para acceder al compartimiento de la batería. Asegúrese que el tanque de recuperación esté drenado antes de abrir (Figura 1).



FIG. 1

3. Instale con cuidado las baterías en la bandeja de la batería que se encuentra en el fondo del compartimiento e instale los bornes de la batería como se muestra (Figura 2).

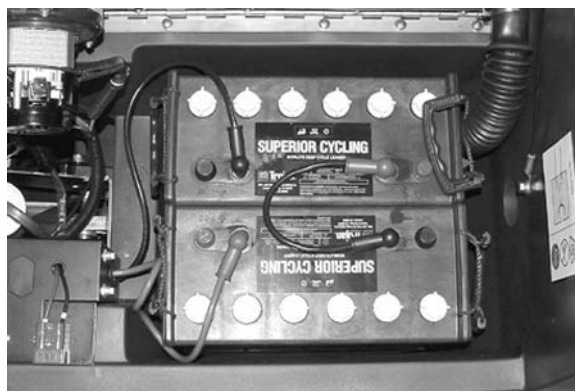


FIG. 2

ATENCIÓN: Deposite las baterías en el compartimiento, no las deje caer, tanto la batería como su soporte podrían averiarse. La garantía no cubre este tipo de desperfectos.

4. Antes de conectar los cables de la batería, asegúrese que los terminales y bornes están limpios. Use un limpiador de bornes y un cepillo de alambre si es necesario.

NOTA: Aplique una capa ligera de grasa no metálica o rocío protector sobre las conexiones del cable para prevenir la corrosión de la batería.

5. Conecte los cables a los bornes de la batería como mostrado (Figura 2), ROJO AL POSITIVO y NEGRO AL NEGATIVO. Use las cubiertas de borne de la batería y las botas de goma, provistas.

OPERACIÓN

6. Después que se instalan apropiadamente las baterías, inspeccione el nivel de carga del medidor de la batería. La máquina debe estar en pleno funcionamiento para una lectura exacta (Vea OPERACION DE LA MAQUINA). Cargue las baterías si se requiere.

PREPARACIÓN DE LA MÁQUINA

FIJACIÓN DEL CONJUNTO DE LA ESCOBILLA DE GOMA

1. Apague la máquina.

PARA SU SEGURIDAD: Antes de abandonar o revisar la máquina, deténgase en una superficie plana, apague la máquina y ponga el freno de estacionamiento.

2. Tire de la palanca elevadora para elevar el soporte de montaje del escurridor (Figura 3).

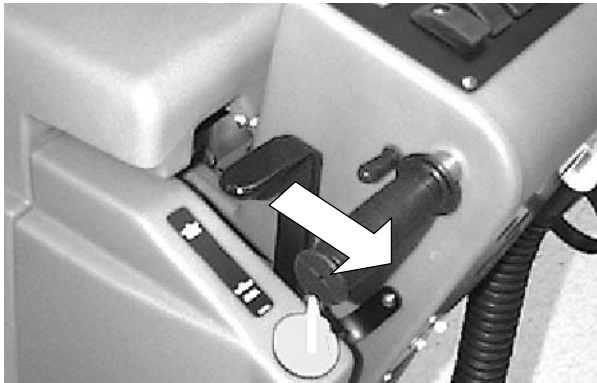


FIG. 3

3. Afloje los dos tornillos de orejas del conjunto de la escobilla de goma e introduzca dicha escobilla deslizándola en las ranuras del soporte de montaje de la escobilla de goma (Figura 4).

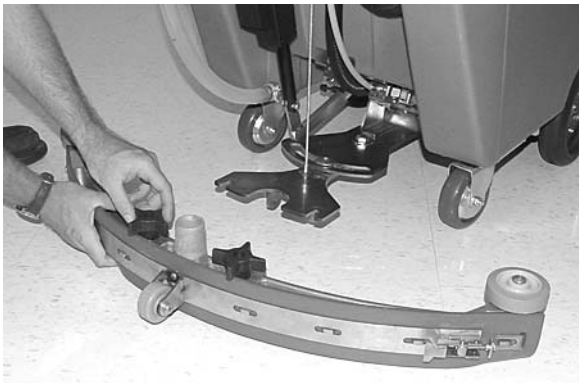


FIG. 4

4. Fije bien los tornillos de orejas.
5. Conecte la manguera de aspiración de la máquina al conjunto de la escobilla de goma (Figura 5).

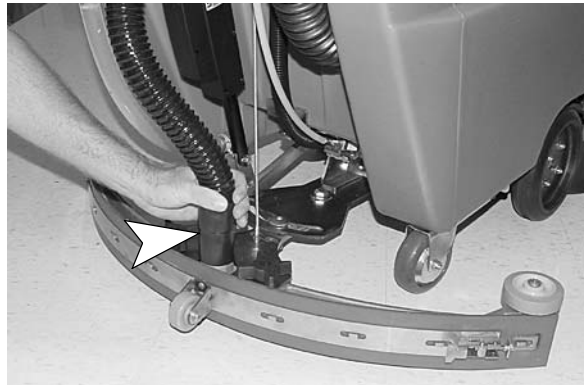


FIG. 5

INSTALACION DE LOS CEPILLOS

1. Gire el conmutador principal de potencia a la posición ON y eleve el cabezal de limpieza. Oprima la mitad del conmutador de presión del cepillo para elevar. Mantenga oprimido el conmutador hasta que se apague el actuador del cabezal de limpieza (Figura 6).

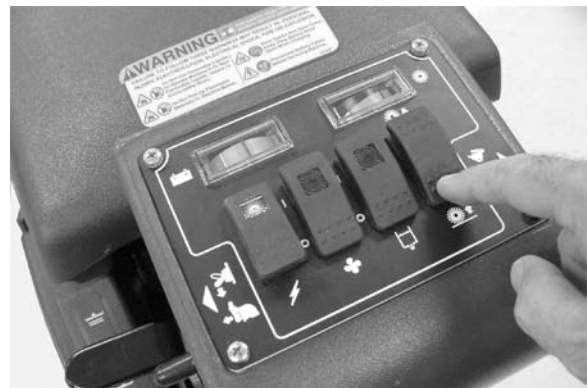


FIG. 6

2. A continuación gire el conmutador principal de potencia a la posición OFF después de elevar el cabezal de limpieza.

PARA SU SEGURIDAD: Antes de abandonar o revisar la máquina, deténgase en una superficie plana, apague la máquina y ponga el freno de estacionamiento.

3. Retire la placa intermedia del cabezal de limpieza soltando los pestillo del tope del cabezal de limpieza (Figura 7).



FIG. 7

4. Con el extremo de fila doble de cerdas orientado hacia usted, guíe el cepillo dentro del cubo impulsor (Figura 8).

NOTA: El instalar el extremo de fila doble de cerdas en posición opuesta al cubo impulsor prevendrá que el cepillo marque al limpiar.

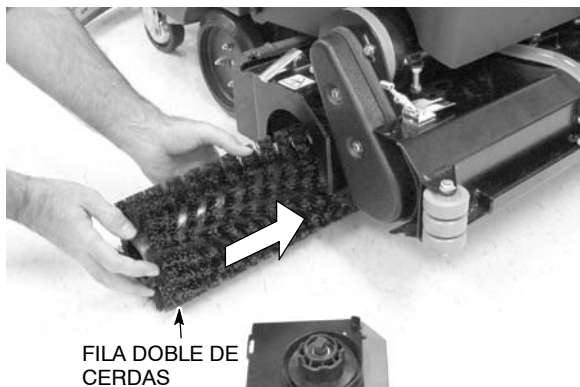


FIG. 8

5. Alinee la placa intermedia en el extremo del cepillo y afirme los pestillos.
6. Repita los pasos para otro cepillo en el lado opuesto del cabeza de limpieza.
7. Inspeccione para el patrón apropiado del cepillo (vea AJUSTE DE LOS CEPILLOS).

LLENADO DEL DEPÓSITO DE LA DISOLUCIÓN

1. Dirija la máquina a la zona de llenado. Levante la escobilla de goma y el cepillo durante el transporte.
2. Apague el poder de máquina.
3. El tanque de la solución está provisto con accesos delanteros y posteriores para su conveniencia (Figura 9). Llene el tanque de la solución con 64L (17 gal) de agua limpia, 60°C (140°F) de temperatura máxima. El tubo transparente debajo del acceso posterior de llenado indica la cantidad de agua en el tanque de la solución.

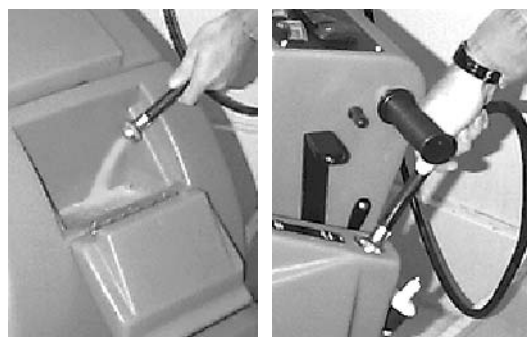


FIG. 9

NOTA: Al llenar tanque de la solución con un balde, asegúrese que el balde está limpio. No use el mismo balde por llenar y vaciar la máquina.

4. Vierta un agente limpiador recomendado en el tanque de la solución según las instrucciones de mezcla en la botella.

PARA SU SEGURIDAD: Siga las instrucciones de mezcla y manipulación indicadas en los envases de los productos químicos cuando utilice la máquina.

ATENCIÓN: Utilice únicamente productos de limpieza recomendados, NO utilice sustitutos. Consulte a un distribuidor autorizado acerca de los productos de limpieza recomendados.

⚠ ADVERTENCIA: No use líquidos inflamables ni opere la máquina en o cerca de líquidos/vapores inflamables, o polvos combustibles.

OPERACIÓN

AJUSTE DE LA ALTURA DE LA EMPUÑADURA DE CONTROL

La máquina tiene tres configuraciones de la altura de la empuñadura de control.

Para ajustar, apriete las dos palancas juntas debajo de la consola y eleve o baje la consola a una altura cómoda de operación (Figura 10).

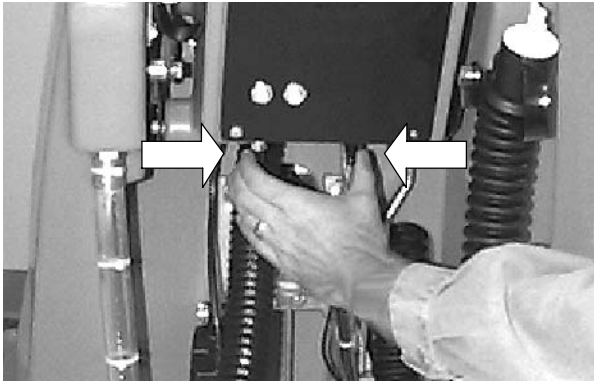


FIG. 10

FUNCIONAMIENTO DE LA MÁQUINA

PARA SU SEGURIDAD: No utilice la máquina salvo que el operario haya leído y comprendido el manual de instrucciones.

COMPROBACIONES PREVIAS A LA PUESTA EN FUNCIONAMIENTO

- Inspeccione el nivel de carga del medidor de la batería para asegurar que las baterías están totalmente cargadas (Vea CARGA DE LAS BATERIAS).
- Inspeccione la condición de los cepillos.
- Inspeccione la condición de las cuchillas del escurridor.
- Verifique que la canaleta de residuos está instalada y vacía.

OPERACION DE LA MAQUINA

1. Desenganche la palanca de elevación del escurridor de la posición elevada y baje el escurridor (Figura 11).

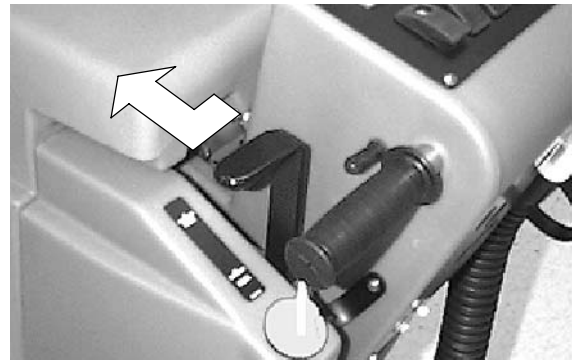


FIG. 11

2. Gire el conmutador de la potencia principal a la posición ON.
3. Baje el cabezal de limpieza al piso. Para bajar, oprima y mantenga oprimida la mitad superior del conmutador de presión del cepillo (Figura 12).



FIG. 12

4. Gire los conmutadores de vacío y de solución a la posición ON.

NOTA: Los cepillos y el flujo de la solución arrancan cuando se giran las empuñaduras de control.

5. Antes de arrancar, gire la perilla de control de velocidad a la configuración más lenta para evitar un despegue abrupto (Figura 13).
6. Comience la operación de fregado girando hacia delante los mandos de control. Aumente gradualmente la velocidad girando hacia delante los mandos de control de la velocidad (Figura 13).



FIG. 13

7. Una vez que la máquina comienza su movimiento, inspeccione la posición de la aguja del cepillo. Oprima el conmutador de presión del cepillo para ajustar la presión. No opere la máquina en la zona roja (Figura 14).



FIG. 14

ATENCIÓN: Para prevenir daños al piso y carga excesiva de motor del cepillo, no opere el medidor de presión del cepillo en la zona roja.

8. Para operar la máquina en marcha atrás, simplemente tire del conmutador de retroceso (Figura 15).



FIG. 15

9. Para detener máquina, gradualmente suelte las empuñaduras de control.

MIENTRAS OPERA LA MAQUINA

⚠ ADVERTENCIA: No aspire materiales inflamables o metales reactivos.

PARA SU SEGURIDAD: Conduzca despacio cuando utilice la máquina en pendientes o superficies resbaladizas.

1. Observe la cantidad de flujo de la solución en el piso. Para aumentar o disminuir el flujo de agua, ajuste la perilla de control de la solución (Figura 16).



FIG. 16

2. Controle periódicamente que no exista acumulación de espuma en el depósito de recuperación (mire a través de la tapa transparente). Si la acumulación de espuma empieza a ser excesiva, añada un producto de control de la formación de espuma al depósito de recuperación.

ATENCIÓN: No permita que el agua o la espuma se introduzcan en el filtro del flotador de cierre, el motor de aspiración resultaría dañado. La espuma no activará el filtro del flotador de cierre.

3. Reduzca la velocidad siempre que friegue cerca de paredes u obstáculos.
4. Para mantener el control sobre la máquina, reduzca la velocidad siempre que tome curvas.
5. Si la escobilla de goma deja marcas, eleve la escobilla de goma y limpie las láminas con un paño. Realice un barrido previo de la zona para evitar la formación de marcas.
6. Haga que los diferentes pases se superpongan 2 pulg / 5 cm.
7. Cambie o gire las almohadillas cuando estén sucias.
8. Si usted experimenta una vibración excesiva del cepillo o un mal rendimiento de limpieza, vea AJUSTE DEL CABEZAL DE LIMPIEZA.

OPERACIÓN

9. Manténgase alejado de obstrucciones en el piso, tales como placas eléctricas o rejillas ya que pueden destruir los cepillos.
10. Durante paradas breves, los cepillos y el flujo de la solución se detienen automáticamente cuando se sueltan las empuñaduras de control.
11. Controle periódicamente el nivel de carga de la batería. Recargue las baterías cuando la aguja del indicador se encuentre en la zona roja.

ATENCIÓN: No utilice la máquina cuando la aguja del indicador del nivel de carga de la batería se encuentre en la zona roja o podría dañar la batería.

12. Controle la cantidad de disolución que queda durante la operación de limpieza a través del tubo indicador transparente.
13. Cuando el tanque de solución no contiene más líquido, girar el conmutador del cepillo a apagado, y continuar aspirando hasta que se haya consumido todo el agua sucia. A continuación drenar el tanque de recuperación.
(Ver *TANQUES DE DRENAJE*)
14. Al limpiar sobre pendientes, limpie siempre descendiendo nunca ascendiendo. Nunca ascienda sobre pendientes que excedan 5 grados ya que en caso contrario pueden ocurrir daños a la máquina.

PARADA DE LA MÁQUINA

1. Girar el conmutador del cepillo a apagado, y continuar aspirando hasta que se haya consumido todo el agua sucia.
2. Suelte los mandos de control.
3. Elevar el escurridor.
4. Apague los interruptores.

PARA SEGURIDAD: Antes de salir de o prestar servicio a la máquina, deténgase en una superficie nivelada y apague la máquina.

PARADA DE EMERGENCIA (OPCIÓN)

Para detener la máquina en caso de emergencia, pulse el botón rojo de parada situado en la parte trasera de la consola de control. El botón de parada interrumpe inmediatamente la alimentación eléctrica a la máquina (Figura 17).

Para reajustar el botón de parada, apague todos los interruptores y gire el botón de parada hacia la derecha. Reanude el funcionamiento normal.

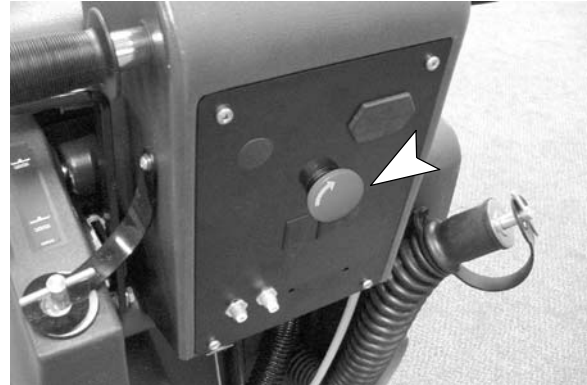


FIG. 17

CORTACIRCUITOS

La máquina está equipada con (4) cortacircuitos de protección.

Si se activan los interruptores de circuito, los mismos no se restablecen inmediatamente al activarse. Determine la causa, permita que el motor se enfríe y a continuación restablezca manualmente el botón del interruptor de circuito.

Los interruptores de circuito del motor del cepillo pueden activarse debido a una presión excesiva del cepillo. Reduzca la presión del cepillo. Los interruptores de circuito del motor del cepillo (25 amperios) están ubicados cerca del enchufe del cargador.

Los cortacircuitos principal (10amp) y de impulsión/aspiración (35 amp) se encuentran en la parte trasera de la máquina (Figura 18).

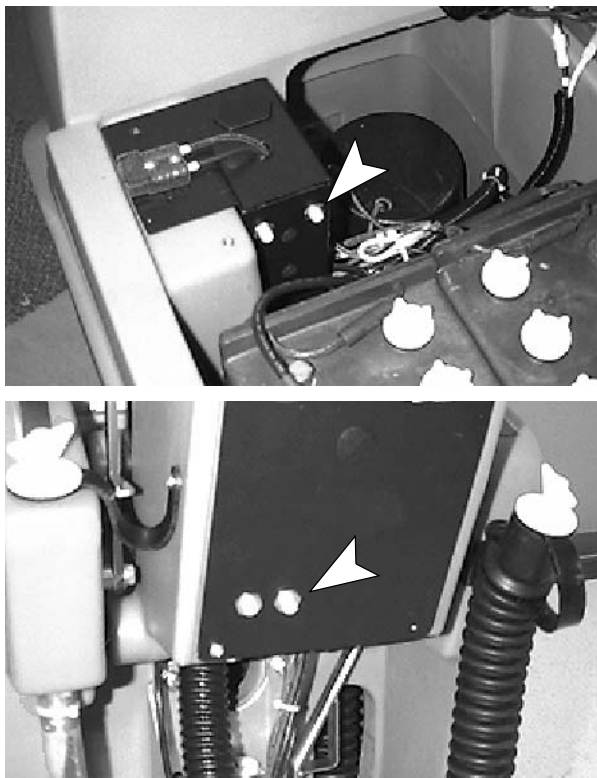


FIG. 18

VACIADO DE LOS DEPÓSITOS

PARA SU SEGURIDAD: Antes de abandonar o revisar la máquina, deténgase en una superficie plana, apague la máquina.

VACIADO DEL DEPÓSITO DE RECUPERACIÓN

Vacíe y limpie del depósito de recuperación al terminar la operación de fregado o rellenar el depósito de disolución.

ATENCIÓN: Si no vacía el depósito de recuperación antes de rellenarlo, podría introducirse agua o espuma en el filtro del flotador de cierre y dañar el motor de aspiración.

1. Extraiga la manguera de vaciado de su soporte, coloque la manguera en el desagüe y abra el tapa de la manguera de vaciado. Para vaciar completamente el depósito de recuperación abra la tapa del depósito lateralmente y coloque la barra de apoyo para colocar el depósito sobre ella (Figura 19).

NOTA: Si utiliza un cubo para vaciar la máquina, no utilice el mismo cubo para llenar el depósito de la disolución. Esto evitará que las tuberías de la disolución se bloqueen.



FIG. 19

2. Aclare el depósito de recuperación después de cada uso. Utilice una manguera para aclarar el depósito. Tenga cuidado de no introducir agua en el filtro del flotador.
3. Vuelva a colocar bien el tapa de la manguera de vaciado después de la operación de vaciado.

VACIADO DEL DEPÓSITO DE LA DISOLUCIÓN

Para vaciar la disolución que no se ha utilizado del depósito de la disolución siga los siguientes pasos:

1. Saque la manguera transparente que se encuentra en la parte trasera de la máquina de su soporte y vacíe la disolución en un desagüe o cubo (Figura 20).

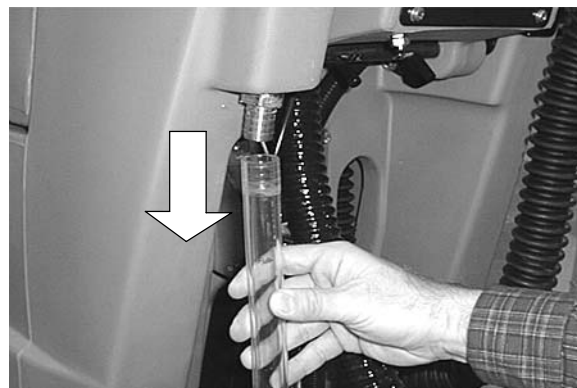


FIG. 20

OPERACIÓN

2. Aclare el depósito de la disolución y el sistema de flujo de la disolución con agua limpia después de cada uso. Esto evitará el bloqueo debido a la acumulación de productos químicos.
3. Vuelva a colocar la manguera transparente en su soporte. Asegúrese de introducirla bien.

AJUSTE DE LOS CEPILLOS

Verifique el patrón del cepillo para asegurar que los cepillos estén bien ajustados, mensualmente después de instalar nuevos cepillos. Los cepillos que no se instalan adecuadamente resultan en un desgaste prematuro del cepillo y un mal rendimiento de la limpieza.

NOTA: Si la máquina está provista con neumáticos inflados con aire, llene el tanque de solución antes de inspeccionar o ajustar los cepillos.

1. Aplique una substancia empolvada, tal como tiza, en un piso liso, nivelado.
2. Con el cabezal de limpieza elevado, coloque en posición el mismo sobre el área de prueba.
3. Coloque bloques detrás de cada rueda impulsora para que la máquina quede inmóvil y gire la perilla de control de velocidad a la configuración más lenta.
4. Baje el cabezal de limpieza al piso con la presión descendente mínima.
5. Asegúrese que el conmutador de la solución esté en la posición OFF.
6. Gire brevemente las empuñaduras de control durante 2 segundos.
7. Eleve el cabezal de limpieza y haga retroceder la máquina desde el área de prueba.
8. Observe el patrón del cepillo sobre el piso. Ambos cepillos deben dejar un patrón uniforme, paralelo (Figura 21).

PATRON CORRECTO DEL CEPILLO



FIG. 21

9. Si el patrón del cepillo representa uno de los patrones incorrectos, se requiere ajuste.

PARA AJUSTAR EL CEPILLO CON PATRÓN IRREGULAR:

1. Baje el cabezal de limpieza al piso y aplique la presión máxima descendente.
2. Apague máquina y extraiga la llave si así provista.

PARA SEGURIDAD: Antes de salir de o prestar servicio a la máquina, deténgala en una superficie nivelada y apáguela.

3. Mida la distancia desde el borde del tope del cabezal de limpieza al piso en la parte delantera y posterior. La dimensión al frente del cabezal de limpieza debe estar 0.25 pulg / 6.35 mm más baja que la parte posterior (Figura 22).

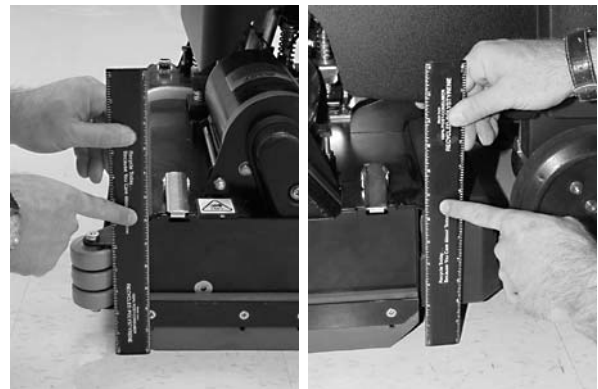


FIG. 22

4. Para ajustar el cabezal de limpieza, afloje ligeramente las cuatro (4) contratuercas en el soporte de montaje del rodillo y la contratuerca en la perilla niveladora del cabezal de limpieza (Figura 23). Gire la perilla en el sentido de las agujas del reloj para hacer descender la parte posterior del cabezal de limpieza y gire en sentido contrario a las agujas del reloj para hacer descender el frente. Se requiere una llave de cubo de 13mm.

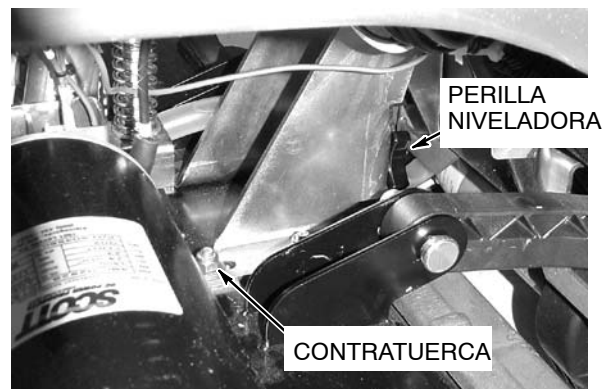


FIG. 23

5. Después de ajustar afirme las tuercas y vuelva a inspeccionar el patrón del cepillo. Reajuste si necesario.

PARA AJUSTAR EL CEPILLO CON PATRÓN CÓNICO:

1. Eleve el cabezal de limpieza del piso y apague la máquina.

PARA SEGURIDAD: Antes de salir de o prestar servicio a la máquina, deténgala en una superficie nivelada y apáguela.

2. Extraiga la placa intermedia del cabezal de limpieza soltando los pestillos al tope del cabezal de limpieza (Figura 24).

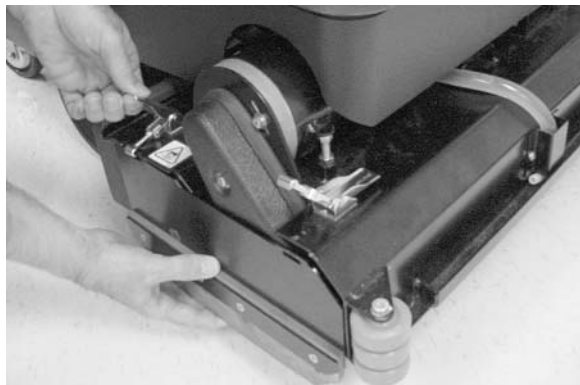


FIG. 24

3. Extraiga la placa del extremo del cepillo.
4. Sostenga el eje del cubo intermedio con una llave de .375 de pulgada y afloje el tornillo de cabeza Allen con una llave Allen de 6 mm (Figura 25).



FIG. 25

5. Al ajustar desde el cepillo, gire el eje en el sentido de las agujas del reloj para hacer descender el extremo del cepillo. En caso de ajustar el cepillo posterior, gire el eje en sentido contrario a las agujas del reloj para hacer descender el extremo del cepillo. Afirme el tornillo Allen después de ajustar (Figura 26).



FIG. 26

6. Vuelva a colocar la placa intermedia e inspeccione nuevamente el patrón del cepillo. Reajuste si necesario.

CARGA DE LAS BATERÍAS

ATENCIÓN: Para prolongar la vida útil de las baterías y obtener un rendimiento óptimo de la máquina, recargue ÚNICAMENTE las baterías si se ha utilizado la máquina más de 30 minutos. No deje nunca las baterías descargadas durante periodos largos.

Las siguientes instrucciones de carga se refieren sólo a los cargadores suministrados con la máquina. Utilice únicamente cargadores de baterías de las siguientes características para evitar el deterioro de las baterías.

CARACTERÍSTICAS DEL CARGADOR DE BATERÍAS:

- TIPO DE CARGADOR: PARA BATERÍAS DE PLOMO CON ÁCIDO
- VOLTAJE DE SALIDA 24 VOLTIOS
- CORRIENTE DE SALIDA 25 AMP
- CIRCUITO DE CIERRE AUTOMÁTICO
- PARA CARGAR BATERÍAS DE CICLO PROFUNDO

1. Dirija la máquina a una zona bien ventilada para cargar las baterías.

⚠ ADVERTENCIA: Peligro de incendio o explosión. Las baterías emiten hidrógeno. Mantenga chispas y llamas alejadas de la máquina. Mantenga el compartimento de la batería abierto mientras realiza la operación de carga.

OPERACIÓN

2. Antes de cargar las baterías, compruebe el nivel de electrolito en cada elemento de la batería (Figura 27).



FIG. 27

PARA SU SEGURIDAD: Al revisar la máquina, utilice guantes y gafas de protección cuando manipule las baterías y sus cables. Evite el contacto con el ácido de la batería.

El nivel del electrolito (A) debe cubrir ligeramente los electrodos de la batería (B). Añada agua destilada si es necesario. **NO LLENE EN EXCESO**, el nivel del líquido puede expandirse y desbordarse al cargar. Coloque de nuevo las tapas de los elementos antes de la operación de carga (Figura 28).

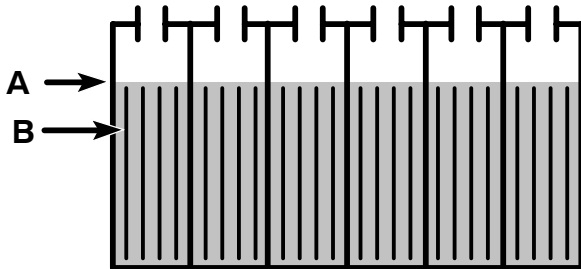


FIG. 28

3. Conecte el cable de alimentación eléctrica de CA del cargador a un enchufe con toma de tierra adecuada (Figura 29).

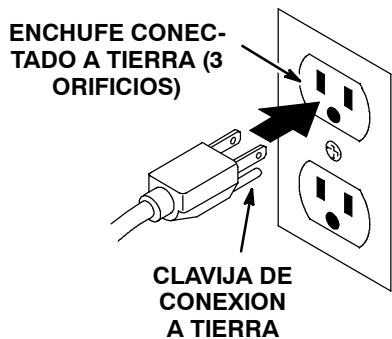


FIG. 29

4. Enchufe el conector de salida CC del cargador al conector de la batería situado cerca del compartimento de la batería (Figura 30).

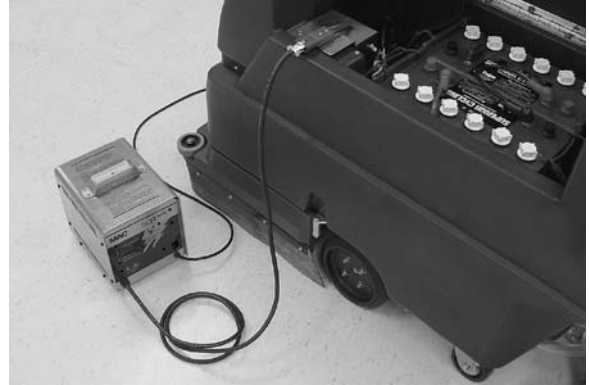


FIG. 30

5. El cargador comenzará la carga automáticamente y se apagará cuando la carga sea completa.
6. Coloque el depósito de recuperación sobre su soporte para facilitar la ventilación durante la carga (Figura 31).



FIG. 31

ATENCIÓN: No desenchufe del receptáculo de la máquina el cable de CC del cargador cuando esté en funcionamiento. Pueden producirse arcos voltaicos. Si es necesario interrumpir la carga, desenchufe el cable de alimentación de CA primero.

⚠ ADVERTENCIA: Peligro de incendio o explosión. Las baterías emiten hidrógeno. Mantenga chispas y llamas alejadas de la máquina. Mantenga el compartimento de la batería abierto mientras realiza la operación de carga.

- Después de realizar la carga, compruebe el nivel del electrolito (A) de nuevo. El nivel debe estar a aproximadamente 1 cm de la parte inferior del orificio de llenado (B) (Figura 32). Añada agua destilada en caso necesario. **NO LLENE EN EXCESO.**

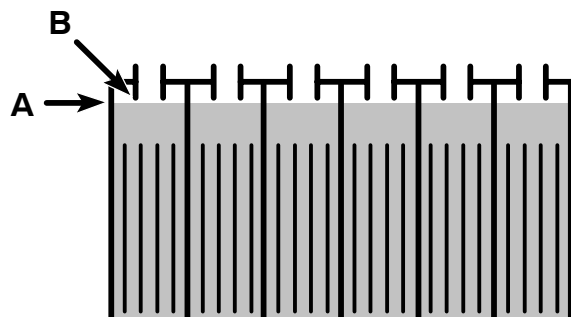


FIG. 32

MANTENIMIENTO DE MAQUINA

Las reparaciones deberán ser realizadas por personal autorizado. Para mantener la máquina en buenas condiciones de funcionamiento bastará realizar las siguientes operaciones de mantenimiento diario, semanal o mensualmente.

PARA SU SEGURIDAD: Antes de abandonar o revisar la máquina, deténgase en una superficie plana, apague la máquina.

⚠ ADVERTENCIA: Desconecte los cables de la batería antes de prestar servicio a la máquina.

ATENCIÓN: Consulte con un Centro de Servicio Autorizado para las reparaciones de la máquina. Las reparaciones de la máquina realizadas por alguien que no sea una persona autorizada cancelan su garantía.

MANTENIMIENTO DIARIO (Cada 4 Horas de utilización)

- Vacíe y limpie a fondo los depósitos. Después de vaciar los depósitos, abra el depósito de recuperación hasta que pueda ver el orificio de entrada de la aspiración en la parte trasera del depósito. En caso necesario retire los residuos bloqueados en dicho orificio (Figura 33).



FIG. 33

- Extraiga y limpie la pelusa del filtro del flotador de cierre del depósito de recuperación (Figura 34).



FIG. 34

- Vacíe y enjuague la canaleta de residuos (Figura 35).



FIG. 35

OPERACIÓN

4. Frote las cuchillas con un trapo seco y almacene el escurridor en la posición elevada para prevenir daños al mismo (Figura 36). Inspeccione las cuchillas del escurridor por daños y desgaste. Gire o reemplace las cuchillas cuando están gastadas o dañadas.

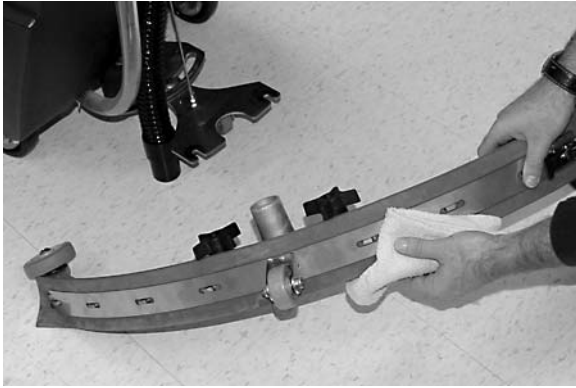


FIG. 36

5. Inspeccione los cepillos por desgaste y cerdas enredadas. Cambie los cepillos si las cerdas se han desgastado a un largo de 0.38 pulg / 10mm o menos (Figura 37).

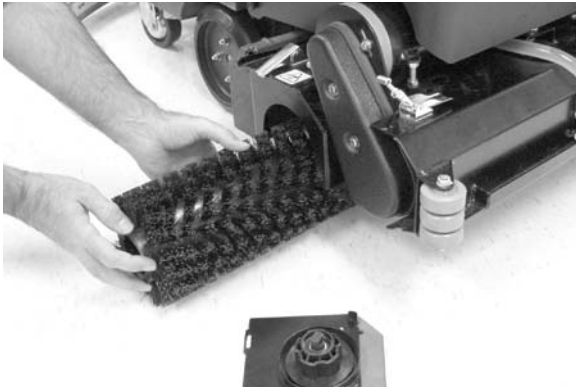


FIG. 37

6. Inspeccione los faldones del cabezal de limpieza por desgaste y ajuste. Los faldones deben tocar el piso, ajuste si necesario (Figura 38). Reemplace si están dañados.

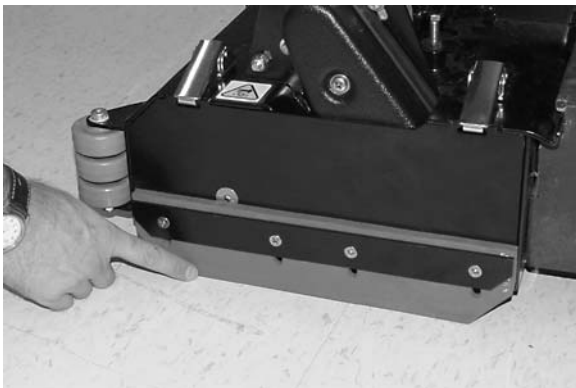


FIG. 38

NOTA: Siempre reemplace cepillos como un juego. Nunca reemplace uno solamente.

7. Limpie el bastidor de la máquina con un limpiador no abrasivo que no contenga disolventes. (Figura 39).



FIG. 39

ATENCIÓN: No moje la máquina rociándola o con la manguera. Podría averiar los componentes eléctricos.

8. Enjuague la canaleta de alimentación de solución.
9. Recargue las baterías en caso necesario.

NOTA: Para prolongar la duración de la batería, SOLO recargue las baterías si se descargaron más de 15% de la capacidad de la batería.

MANTENIMIENTO SEMANAL (Cada 20 Horas de utilización)

1. Extraiga el filtro en línea. Antes de extraer el filtro, asegúrese de que el depósito de la disolución está vacío. El filtro se encuentra debajo de la máquina en la parte trasera (Figura 40).

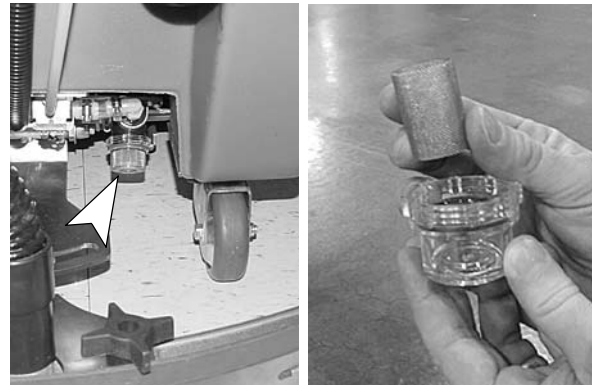


FIG. 40

2. Verifique el nivel del electrólito en cada célula de la batería (vea MANTENIMIENTO DE LA BATERIA).
3. Limpie la parte superior de la batería para evitar la formación de corrosión. (Consulte el apartado de MANTENIMIENTO DE LA BATERÍA).
4. Controle si los cables de la batería están sueltos u oxidados.

MANTENIMIENTO MENSUAL (Cada 80 Horas de utilización)

1. Lave el sistema de la solución con una mezcla de agua y un líquido neutralizador recomendado para disolver la acumulación de sustancias químicas. Vierta 3 gal / 11.3 Litros de agua limpia en el tanque de la solución, a una temperatura máxima de 140°F / 60°C. Agregue líquido neutralizador según las instrucciones de mezcla. Opere la máquina brevemente sobre un desagüe del piso, opción ES, y la opción de la vara, por 30 segundos cada una. Apague la máquina y deje inactiva por una noche. El próximo día, disperse la mezcla restante y enjuague el sistema de la solución con agua limpia.

NOTA: Consulte con su proveedor químico para un líquido neutralizador recomendado.

PARA SEGURIDAD: Al usar máquina, siga las instrucciones de mezcla y manejo de los recipientes químicos.

2. Inspeccione el patrón del cepillo para un ajuste apropiado (vea AJUSTE DE LOS CEPILLOS).
3. Lubrique los puntos de lubricación de la ruedecilla con grasa impermeable. (Figura 41).



FIG. 41

4. Lubrique todos los puntos pivotantes de conexión con un spray de silicona y luego con una capa de grasa impermeable para permitir un funcionamiento suave.
5. Inspeccione la tensión de la correa del cepillo. La desviación apropiada de la correa debe ser de 0.25 pulg / 6.35 mm en el punto medio, con una fuerza de 12.0-12.8 lb / 5.44-5.81 kg (Figura 42).

PARA SU SEGURIDAD: Al revisar la máquina, protéjase las manos con guantes al manejar las baterías y sus cables. Evite el contacto con el ácido de la batería.

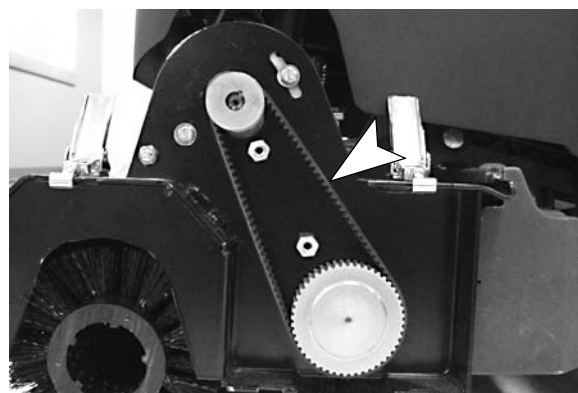


FIG. 42

Para ajustar la tensión de la correa, afloje los dos tornillos de montaje del motor y gire el tornillo de ajuste (Figura 43). Afirme los tornillos y la contratuerca después de ajustar.

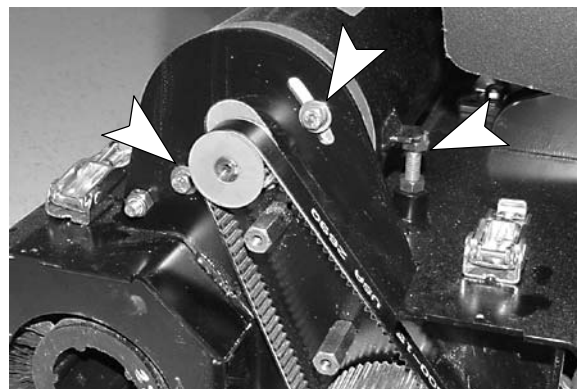


FIG. 43

ATENCIÓN: Póngase en contacto con un Centro de Servicio autorizado para reparar las máquinas.

6. Controle que la máquina no presenta escapes de agua ni tornillos ni tuercas flojos.

MANTENIMIENTO TRIMESTRAL (Cada 250 Horas de utilización)

Controle el desgaste del cepillo de carbón de los motores de impulsión, aspiración y del cepillo. Sustituya los cepillos si su longitud es igual o inferior a 3/8 pulg / 1 cm.

Consulte con un Centro de Servicio Autorizado para la inspección de las escobillas de carbono.

PARA SEGURIDAD: Al prestar servicio a la máquina, todas las reparaciones deben realizarse por una persona calificada de servicio.

SUSTITUCIÓN DE LA LÁMINA DE LA ESCOBILLA DE GOMA

La rasqueta lleva dos hojas. La hoja trasera tiene cuatro bordes limpiadores. La hoja delantera tiene dos bordes limpiadores. Cuando las láminas se gasten, simplemente gírelas obtener un nuevo borde de secado. Sustituya la lámina si los bordes están gastados.

Como recambiar o hacer rotar la hoja de rasqueta trasera:

1. Extraiga el conjunto de la escobilla de goma de la máquina.
2. Afloje la banda de fijación y retírela del conjunto de la escobilla (Figura 44).

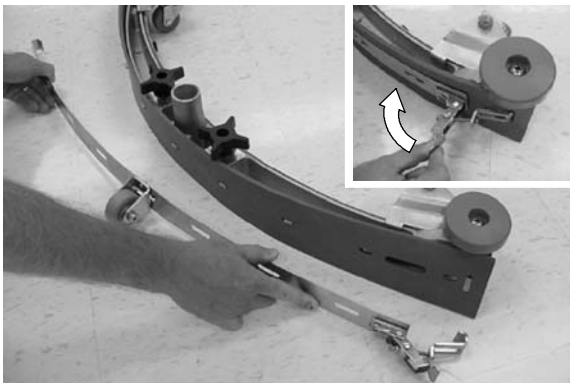


FIG. 44

3. Gire la lámina posterior para obtener un nuevo borde de secado y vuelva a montar la banda (Figura 45).

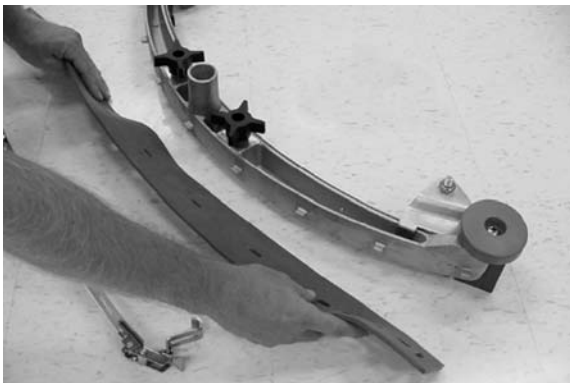


FIG. 45

Como recambiar o hacer rotar la hoja de rasqueta delantera:

1. Extraiga el conjunto de la escobilla de goma de la máquina.

2. Quitar los seis tornillos de orejas que fijan el sujetador y la hoja en el bastidor de la rasqueta. Hacer rotar la hoja en sentido horizontal para que un borde limpiador nuevo quede en la parte delantera. Asegúrese de que el borde ranurado está boca abajo (Figura 46).

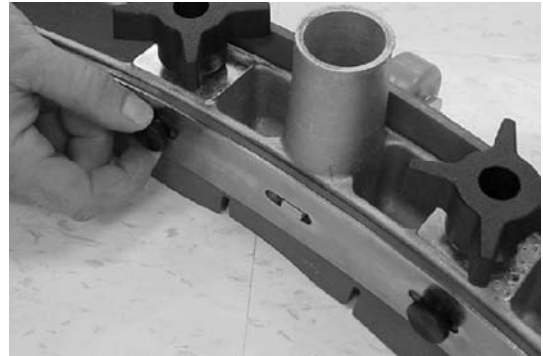


FIG. 46

AJUSTE DE LAS LÁMINAS DE LA ESCOBILLA

Para obtener un rendimiento óptimo de la lámina de la escobilla, las ruedecillas del conjunto de la escobilla deben ajustarse a una altura especificada como se describe a continuación.

1. Para comprobar el correcto ajuste del conjunto de la escobilla, retire el conjunto de la escobilla de la máquina y colóquelo sobre una superficie horizontal. Mida la distancia entre la ruedecilla y la superficie. Debe medir aproximadamente 1/16 pulg / 2 mm (Figura 47).
2. Para ajustar la altura de la ruedecilla, afloje la tuerca superior y retire la cubierta de plástico del cojinete para acceder a la tuerca de ajuste. Gire la tuerca de ajuste hasta que el ajuste sea el correcto (Figura 47). Después de realizar el ajuste, apriete la tuerca superior y vuelva a colocar la cubierta de plástico del cojinete. Repita la misma operación con la otra ruedecilla.

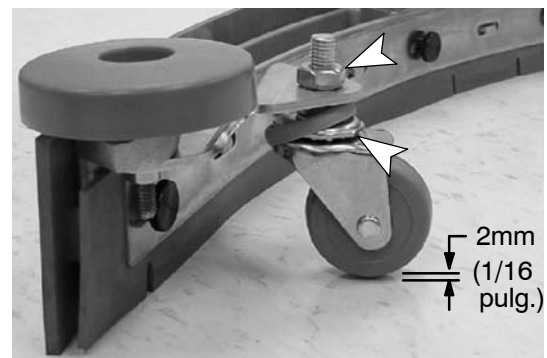


FIG. 47

- Durante el funcionamiento de la máquina, con las ruedecillas adecuadamente ajustadas, las láminas de la escobilla deben curvarse como se muestra (Figura 48).

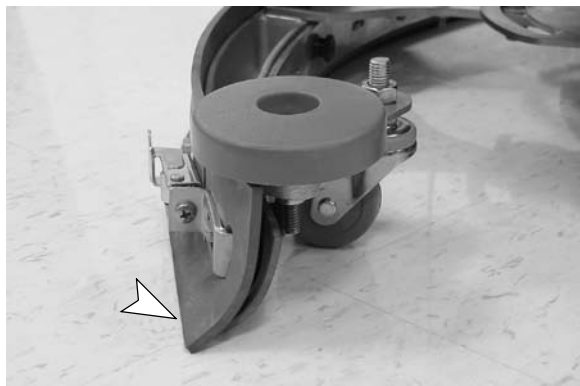


FIG. 48

MANTENIMIENTO DE LAS BATERÍAS

⚠ ADVERTENCIA: Peligro de incendio o explosión. Las baterías emiten hidrógeno. Mantenga chispas y llamas alejadas de la máquina. Mantenga el compartimento de la batería abierto mientras realiza la operación de carga.

PARA SU SEGURIDAD: Al revisar la máquina, utilice guantes y gafas de protección cuando manipule las baterías y sus cables. Evite el contacto con el ácido de la batería.

- Compruebe la densidad específica utilizando un densímetro para determinar el nivel de carga y el estado de las baterías (Figura 49). Si el valor de uno o más elementos de la batería es inferior al de los otros elementos de la batería (0,050 ó más), este elemento está deteriorado, en cortocircuito o a punto de fallar. Compare los valores obtenidos con el densímetro con los del siguiente esquema para determinar el nivel de carga que queda en la batería.

NOTA: No tome medidas inmediatamente después de añadir agua destilada. Si el agua y el ácido no están bien mezclados, es posible que el valor medido puede no sea correcto.

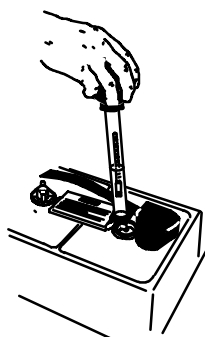


FIG. 49

DENSIDAD ESPECÍFICA a 27°C (80°F)	CARGA DE LA BATERÍA
1,265	100% DE CARGA
1,223	75% DE CARGA
1,185	50% DE CARGA
1,148	25% DE CARGA
1,110	DESCARGADA

NOTA: Si la temperatura del electrolito de la batería a la que se miden los valores no es de 80°F / 27°C, deberá corregir el valor dependiendo de la temperatura. Suma o reste 0,004, 4 puntos, al valor de la densidad específica por cada 43°F / 6°C de diferencia por encima o debajo de 80°F / 27°C.

- Siga siempre las instrucciones de la operación de carga (consulte CARGA DE LAS BATERÍAS).
- Controle el nivel de electrolito (A) en todos los elementos de las baterías después de realizar la operación de carga. El nivel debe estar a aproximadamente 1 cm de la parte inferior del orificio de llenado (B). Añada agua destilada en caso necesario (Figura 50). **NO LLENE EN EXCESO.**

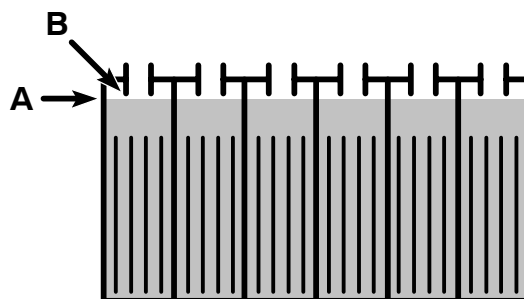


FIG. 50

- Mantenga limpias las partes superiores de las baterías para evitar la corrosión.

PARA SU SEGURIDAD: Al revisar la máquina, utilice guantes y gafas de protección cuando manipule las baterías y sus cables. Evite el contacto con el ácido de la batería.

- Haga una solución concentrada de bicarbonato y agua (Figura 51).



FIG. 51

OPERACIÓN

- b. Rocíe ligeramente las partes superiores de las baterías y conectores de cables con la disolución.

NOTA: No permita que la solución de bicarbonato se introduzca en los elementos de las baterías.

- c. Utilice un cepillo de cerdas metálicas para limpiar los bornes y conectores de cables.
 - d. Después de la limpieza, aplique una capa de protector transparente de bornes de baterías a los bornes y conectores de cables.
5. Controle si existen cables gastados o sueltos. Sustitúyalos si están gastados.

TRANSPORTE DE LA MÁQUINA

Cuando transporte la máquina en un camión o remolque, asegúrese de seguir los pasos siguientes para sujetar la máquina:

PARA SU SEGURIDAD: Conduzca despacio cuando utilice la máquina en pendientes o superficies resbaladizas.

1. Retire la escobilla de goma de la máquina y levante el cabezal de fregado.
2. Cargue la máquina usando una rampa recomendada de carga. Para evitar daños a la máquina, no ascienda sobre rampas que excedan 9 grados.
3. Colocar el frente de la máquina contra la parte delantera del remolque o camión. Una vez que la máquina esté en posición, bajar el cabezal del cepillo.
4. Coloque un calzo detrás de la rueda tractora y de las ruedecillas traseras.
5. Pase las cintas de sujeción por la parte superior de la máquina y sujételas al suelo. Puede ser necesario instalar varios soportes de sujeción en el suelo de su camión o remolque.

NOTA: No use las empuñaduras de control para asegurar la máquina al transportar.

PARA SEGURIDAD: Al transportar máquina, use una rampa recomendada cuando se carga/descarga a/fuera de un camión o acoplado, use correas de amarre para asegurar la máquina al camión o remolque.

ALMACENAMIENTO DE LA MÁQUINA

1. Cargue las baterías antes de guardar la máquina. No guarde nunca máquina con las baterías descargadas.
2. Antes de guardar la máquina, asegúrese de aclarar y vaciar todo el agua de los depósitos de la máquina.
3. Guarde la máquina en un sitio seco desmontando la escobilla de goma y con el cabezal de fregado en la posición elevada.
4. Quite la tapa de recuperación para facilitar la circulación de aire.

ATENCIÓN: Si guarda la máquina a temperaturas inferiores a 0°C, asegúrese de vaciar todo el agua de la máquina. La garantía no cubre averías causadas por heladas.

ATENCIÓN: No permita que la lluvia moje la máquina, guárdela en lugares cerrados.

RECOMENDACIONES PARA EL ALMACENAMIENTO

Consulte la sección de Lista de Repuestos para ver que productos son los recomendados. Los elementos de almacén están claramente identificados con una marca colocada delante de la descripción de la pieza. Consulte el siguiente ejemplo:

Ref.	Part No.	Description	Qty.
1	701105	ASM., STANDPIPE	1
2	190613	●FLOAT, SHUTOFF	1
3	230187	NIPPLE	1
4	101714	●GASKET	1
5	210240	NUT, FLANGED	1

LOCALIZACIÓN DE AVERÍAS

PROBLEMA	CAUSA	SOLUCIÓN
No hay alimentación, no funciona nada.	Interruptor principal defectuosos.	Contactar con el Servicio Técnico.
	Las baterías necesitan ser cargadas.	Consultar el apartado de CARGA DE LAS BATERÍAS.
	Batería(s) defectuosa(s).	Sustituir la(s) batería(s).
	Cable de la batería suelto.	Fijar el cable suelto.
	Cortacircuitos principal activado.	Determinar la causa y reajustar el botón del cortacircuitos.
	Está activado el botón de corte de potencia.	Gire el botón en el sentido de las agujas del reloj para reconfigurar.
Los motores del cepillo no funcionan.	Los mandos de control no están girados.	Girar los mandos de control.
	Cortacircuitos del cepillo activado(s).	Limpiar o sustituir la almohadilla y reajustar el botón del cortacircuitos.
	Cableado o motor del cepillo defectuosos.	Contactar con el Servicio Técnico.
	Cepillos de carbón gastados.	Contactar con el Servicio Técnico.
	El motor de impulsión no funciona.	Contactar con el Servicio Técnico.
Motor de aspiración no funciona.	Interruptor de aspiración defectuoso.	Contactar con el Servicio Técnico.
	Corta circoito de aspiración ha saltado.	Retirar obstrucción y pouga cortacircuito de nuevo.
	Cableado o motor del aspiración defectuosos.	Contactar con el Servicio Técnico.
	Carboucillos desgastados.	Contactar con el Servicio Técnico.
Motor de avance no funciona.	Cortacircuitos del motor de impulsión activado.	Determinar la causa y reajustar el cortacircuitos.
	Circuito de control de la velocidad o conexión defectuoso.	Contactar con el Servicio Técnico.
	Solenoides defectuosos.	Contactar con el Servicio Técnico.
	Motor de impulsión defectuoso.	Contactar con el Servicio Técnico.
	Cableado defectuoso.	Contactar con el Servicio Técnico.
	Cepillos de carbón gastados.	Contactar con el Servicio Técnico.
Los motor de impulsión funcionan pero no correctamente.	Potenciómetro o circuito de control de la velocidad defectuoso.	Contactar con el Servicio Técnico.
	Conexión del cable suelta	Contactar con el Servicio Técnico.
Flujo de la disolución escaso o nulo.	Es necesario ajustar el botón de ajuste del flujo de la disolución.	Gire el botón de ajuste del flujo de disolución en el sentido de las agujas del reloj para aumentar el flujo.
	Tubería de la disolución o filtro del depósito de la disolución bloqueados.	Retirar la manguera e introducir aire comprimido a través de su orificio. Aclarar el depósito de la disolución después de cada uso.
	Válvula o solenoide de la disolución bloqueados.	Retirar la válvula o el solenoide y limpiar. No raye el interior de la válvula.

OPERACIÓN

LOCALIZACIÓN DE AVERÍAS - continuación

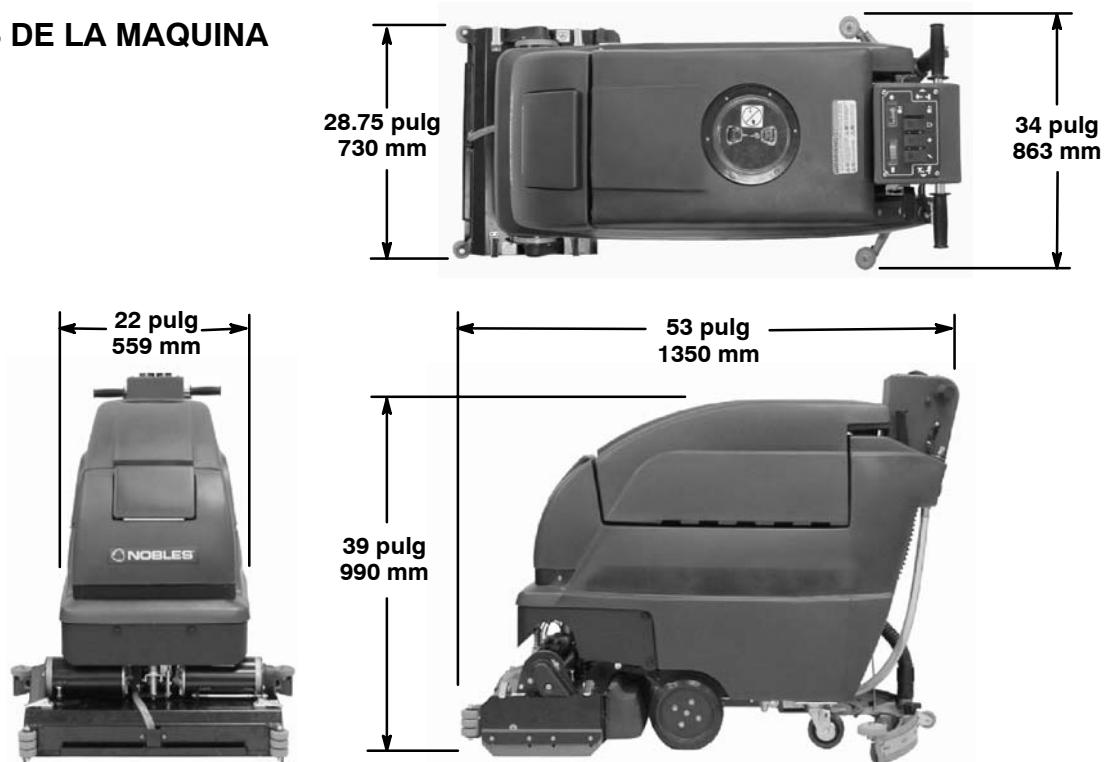
PROBLEMA	CAUSA	SOLUCIÓN
Flujo de la disolución escaso o nulo.	Interruptor o solenoide de la disolución defectuoso.	Contactar con el Servicio Técnico.
	Afloje el tornillo de fijación del mando de la disolución	Calibre el mando y vuelva a apretar tornillos.
Recogida de agua insuficiente.	Depósito de recuperación lleno.	Vaciar el depósito de recuperación.
	Filtro del flotador de cierre del interior del depósito de recuperación bloqueado.	Extraer el filtro y limpiar.
	Escobilla de goma bloqueada.	Limpiar la escobilla de goma.
	Láminas de la escobilla de goma gastadas.	Sustituir las láminas de la escobilla de goma.
	Los tornillos de montaje del escurridor están flojos.	Apretar los tornillos de orejas.
	Las conexiones de la manguera de vacío están sueltas o la manguera está dañada.	Introducir bien la manguera de aspiración en sus conexiones. Sustituir la manguera si está dañada.
	Manguera de aspiración bloqueada.	Retirar los residuos bloqueados.
	Orificio de entrada del depósito de recuperación bloqueado.	Vaciar el depósito de recuperación y levantarlo lateralmente para poder acceder al orificio de entrada, retirar la obstrucción.
	Junta del depósito defectuosa.	Sustituir la junta.
	Tapón de la manguera de vaciado mal cerrado.	Cerrar bien el tapón de vaciado.
	Tapa del depósito de recuperación mal cerrada.	Cerrar la tapa.
	Motor de aspiración flojo.	Contactar con el Servicio Técnico.
	Nivel de carga de la batería bajo.	Cargar las baterías. No utilizar la máquina cuando la aguja indicadora del nivel de carga de la batería se encuentra en la zona roja.
Tiempo breve de funcionamiento.	Las baterías no están totalmente cargadas.	Cargue las baterías
	Célula defectuosa en una o más baterías.	Reemplace la batería.
	Las baterías necesitan mantenimiento.	Vea MANTENIMIENTO DE LA BATERIA.
	Cargador defectuoso.	Reemplace el cargador de la batería.
Las luces de seguridad no funcionan.	Bombilla fundida.	Contactar con el Servicio Técnico.

ESPECIFICACIONES

MODELO	SPEED SCRUB 2601
LONGITUD	53 pulg / 1350 mm
ANCHURA	28.75 pulg / 730 mm
ALTURA	39 pulg / 990 mm
PESO	335 lb / 152 kg 560 lb / 254 kg -c/ baterías
CAPACIDAD DEL DEPÓSITO DE DIS./REC.	17 gal / 64 L
CONTROL DE LA VELOCIDAD	Hacia delante variable. / Fixed Rev./ Marcha atrás fija.
VELOCIDAD DE LIMPIEZA (MAX)	250 ft / 76.2 m ² por minuto
ANCHURA DEL CARRIL DE LIMPIEZA	26 pulg / 660 mm
DIAMETRO DEL CEPILLO	2 - 6 pulg / 152 mm
PRESION DEL CEPILLO	Variable 0-90 lb / 0-41 kg
ANCHURA DE LA ESCOBILLA DE GOMA	33 pulg / 839 mm
SISTEMA DE IMPULSIÓN	Eje de transmisión, .2 c.v., 24V
MOTOR DEL CEPILLO	2 - .75 h.p., 1500 rpm, 24V, 23A, 550W
MOTOR DE ASPIRACIÓN	.75 c.v., 3-tiempos 5.7, 24V, 21A, 550W
ELEVACION DE AGUA / FLUJO NEUMATICO	68 pulg / 1727 mm / 69cfm (2m ³) por minuto
BATERÍAS	2-12V, 215AH
CONSUMO TOTAL DE POTENCIA	24V, 53 AMPERIOS NOMINALES
AUTONOMÍA POR CARGA	Hasta 4 3/4 horas
NIVEL DE RUIDO EN DECIBELIOS A LA ALTURA DEL OPERARIO EN RECINTO CERRADO CON SUELO DE BALDOSAS.	75 dBA

Las especificaciones pueden cambiar sin aviso previo.

DIMENSIONES DE LA MAQUINA



FONCTIONNEMENT

Ce manuel est fourni avec chaque nouveau modèle. Il fournit les instructions nécessaires au fonctionnement et à l'entretien.

Lisez complètement ce manuel et familiarisez-vous avec la machine avant de l'utiliser ou de l'entretenir.

Une liste complète de pièces détachées avec illustrations accompagne également chaque nouveau modèle. Utilisez la liste de pièces détachées pour commander des pièces de rechange. Avant de commander des pièces ou des fournitures, soyez sûr d'avoir avec vous le numéro de modèle de la machine et le numéro de série. Les pièces et les fournitures se commandent par téléphone ou par courrier auprès de tout centre de dépannage agréé, de tout distributeur ou de l'une des filiales du fabricant.

Cette machine vous fournira d'excellents services. Toutefois, vous obtiendrez les meilleurs résultats pour un prix de revient minimum si:

- La machine est manipulée avec un certain soin.
- La machine fait l'objet d'un entretien régulier conformément aux instructions d'entretien de ce manuel.
- L'entretien de la machine est effectué avec des pièces fournies par le fabricant ou des pièces équivalentes.

DONNÉES DE LA MACHINE

A remplir au moment de l'installation à titre de référence.

Modèle n° _____

Date d'installation - _____

N° série - _____



PROTECTION DE L'ENVIRONNEMENT

Veillez éliminer les matériaux d'emballage, les composants d'anciennes machines comme les batteries, les fluides dangereux tels que l'antigel ou l'huile, d'une manière sûre au point de vue environnemental, suivant la réglementation locale en vigueur en matière d'élimination des déchets.

N'oubliez pas de toujours recycler.



TABLE DES MATIÈRES

MESURES DE SÉCURITÉ	50	TRANSPORT DE LA MACHINE	67
ÉTIQUETTES DE MISE EN GARDE	51	ENTREPOSAGE DE LA MACHINE	68
COMPOSANTS DE LA MACHINE	52	PIECES DE STOCK RECOMMANDEES	68
SYMBOLES DU PANNEAU DE COMMANDE ..	52	DEPISTAGE DES PANNES	69
INSTALLATION DE LA MACHINE	53	SPECIFICATIONS	71
DEBALLAGE DE LA MACHINE	53	DIMENSIONS DE LA MACHINE	71
INSTALLATION DES BATTERIES	53	SYSTÈM ÉLECTRIQUE	72
MISE EN SERVICE DE LA MACHINE	54	LISTE DES PIÈCES	74
FIXATION DU BLOC RACLOIR	54	ENSEMBLE DU RÉSERVOIR DE SOLUTION	74
INSTALLATION DES BROSSES	54	GROUPE RESERVOIR DE RECUPERATION	76
REMPLISSAGE DU RESERVOIR		GROUPE TABLEAU DE COMMANDE	78
DE SOLUTION	55	ÉLECTRIQUE - GROUPE DE BATTERIE ..	80
AJUSTEMENT DE LA TAILLE DE CONSOLE	55	GROUPE D'ENTRAINEMENT	82
UTILISATION DE LA MACHINE	56	GROUPE VERIN DE TETE DE BROSSAGE	84
VERIFICATIONS PRELIMINAIRES	56	GROUPE TÊTE DE BROSSAGE	
FONCTIONNEMENT DE LA MACHINE	56	DISQUE SIMPLE	86
PENDANT LE FONCTIONNEMENT DE		GROUPE DE SOLUTION	90
LA MACHINE	57	GROUPE COMMANDE DE RACLOIR	92
ARRET DE LA MACHINE	58	GROUPE DE LA RACLETTE, 33 IN / 838 mm	94
ARRÊT D'URGENCE (OPTION)	58	ÉQUIPEMENT AU CHOIX	96
COUPE-CIRCUIT	58	ES GRUPE DE SOLUTION	96
VIDANGE DES RESERVOIRS	58	GROUPE RACLOIR AUXILIAIRE	
VIDANGE DU RESERVOIR DE		D'EXTRACTION	98
RECUPERATION	58	LOT COMPTEUR HORAIRE, ARRÊT	
VIDANGE DU RESERVOIR DE SOLUTION .	59	D'URGENCE, CONTACT ET KITS	
REGLAGE DE LA TETE DE BROSSAGE	59	DE BASSE TENSION	99
CHARGE DES BATTERIES	61		
ENTRETIEN DE LA MACHINE	62		
ENTRETIEN QUOTIDIEN	63		
ENTRETIEN SEMAINE	64		
ENTRETIEN MENSUEL	64		
ENTRETIEN TRIMESTRIEL	65		
REPLACEMENT DES LAMES DE			
RALCOIR	65		
RÉGLAGE DES LAMES DE RACLOIR	66		
ENTRETIEN DES BATTERIES	66		

MESURES DE SÉCURITÉ

Cette machine est conçue pour un usage commercial. Elle est destinée exclusivement à nettoyer les sols intérieurs à surface dure et ne convient pas à un quelconque autre usage. Utilisez uniquement des patins, des brosses et des produits nettoyants pour sols disponibles dans le commerce, prévus pour l'application de la machine.

Tous les opérateurs sont tenus de lire et comprendre les consignes de sécurité suivantes et de se familiariser avec celles-ci.

Le symbole de mise en garde suivant et l'en-tête « POUR VOTRE SECURITE » sont utilisés tout au long de ce manuel comme indiqué dans leur description:

 **MISE EN GARDE** : identifie la présence de dangers ou les opérations dangereuses susceptibles de blesser grièvement ou de provoquer la mort.

POUR VOTRE SECURITÉ : identifie les instructions qui doivent être suivies afin de garantir la sécurité lors de l'utilisation de l'équipement.


 **MISE EN GARDE** : danger d'incendie ou d'explosion :

- N'utilisez jamais de liquides inflammables ou n'utilisez pas la machine dans ou près de liquides ou vapeurs inflammables ou de poussières combustibles.

Cette machine n'est pas équipée de moteurs protégés contre les explosions. Les moteurs électriques émettent des étincelles au moment du démarrage et pendant leur fonctionnement, ce qui peut entraîner un incendie instantané ou une explosion si la machine est utilisée dans une zone où des vapeurs/liquides inflammables ou des poussières combustibles, sont présents.

- Ne ramassez pas de matériaux inflammables ou de métaux réactifs.
- Les batteries émettent du gaz hydrogène. Evitez toute étincelle et toute flamme nue à proximité des batteries. Laissez ouvert le compartiment des batteries pendant la mise en charge.

 **MISE EN GARDE** : danger de choc électrique. Débranchez les câbles de la batterie avant l'entretien ou la réparation de la machine.

 **MISE EN GARDE** : brosse en rotation. Éloignez vos mains. Coupez le contact avant de travailler sur la machine.

Le fait de ne pas respecter ces avertissements peut entraîner des blessures, un choc électrique, un incendie ou une explosion.

Les signaux d'information ci-après indiquent les situations potentiellement dangereuses pour l'opérateur ou l'équipement :

POUR VOTRE SECURITÉ:

1. N'utilisez pas la machine:
 - With flammable liquids or near flammable vapors as an explosion or flash fire may occur.
 - Si vous n'y êtes pas formé et autorisé.
 - Avant d'avoir lu et compris le manuel opérateur.
 - Si elle n'est pas en bon état de marche.
2. Avant d'utiliser la machine:
 - Assurez-vous que tous les dispositifs de sécurité se trouvent à leur place et fonctionnent correctement.
3. Lors de l'utilisation de la machine :
 - Roulez lentement sur les pentes et sur les surfaces glissantes.
 - Portez des chaussures antidérapantes.
 - Soyez prudent lorsque vous utilisez la machine en marche arrière.
 - Signalez immédiatement tout dommage occasionné à la machine ou tout mauvais fonctionnement.
 - Empêchez les enfants de jouer à proximité de la machine.
 - Suivez les instructions de mélange et de manipulation indiquées sur les conteneurs chimiques.
4. Avant de quitter ou d'entretenir la machine:
 - Arrêtez la machine sur une surface horizontale.
 - Coupez le contact de la machine.
5. Lors de l'entretien de la machine:
 - Évitez les pièces mobiles. Ne portez pas de veste ou de chemise large ou de manches amples.
 - Utilisez un levier ou cric pouvant supporter le poids de la machine.
 - Utilisez le cric uniquement aux endroits désignés à cet effet. Bloquez la machine avec les positions de cric.

- Portez la protection auditive d'oeil et en utilisant l'air ou l'eau pressurisé.
 - Déconnectez les cosses des batteries avant de travailler sur la machine.
 - Portez des gants et des lunettes de protection lorsque vous maniez les batteries ou les câbles de batteries.
 - Évitez tout contact avec l'acide des batteries.
 - Utilisez des pièces de rechanges fournies ou agréées par le fabricant.
 - Toutes les réparations doivent être effectuées uniquement par un technicien qualifié.
- Ne modifiez pas le design d'origine de la machine.
6. Lors du transport de la machine:
- Coupez le contact de la machine.
 - Obtenez l'aide pour soulever la machine
 - Ne soulevez pas la machine quand des batteries sont installées.
 - Lorsque vous chargez la machine sur le camion ou la remorque ou lorsque vous la déchargez, utilisez une rampe recommandée.
 - Utilisez des sangles pour arrimer la machine sur le camion ou la remorque.

ÉTIQUETTES DE MISE EN GARDE

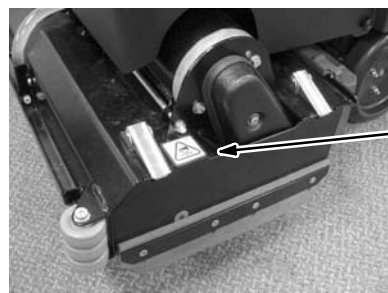
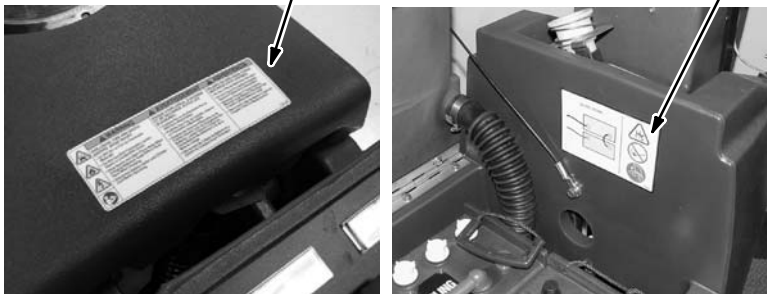
Les étiquettes de mise en garde se trouvent sur la machine aux endroits indiqués. Remplacez les étiquettes lorsqu'elles sont endommagées ou qu'elles deviennent illisibles.

ÉTIQUETTE MISE EN GARDE - SITUÉE SUR LE COUVERCLE DU RÉSERVOIR DE RÉCUPÉRATION.



ÉTIQUETTE CHARGE DE BATTERIE – SITUÉE SUR LA FACE INFÉRIEURE DU RÉSERVOIR DE RÉCUPÉRATION.

⚠ MISE EN GARDE : danger d'incendie ou d'explosion. Les batteries émettent du gaz hydrogène. Évitez toute étincelle et toute flamme nue à proximité des batteries. Laissez ouvert le compartiment des batteries pendant la mise en charge.

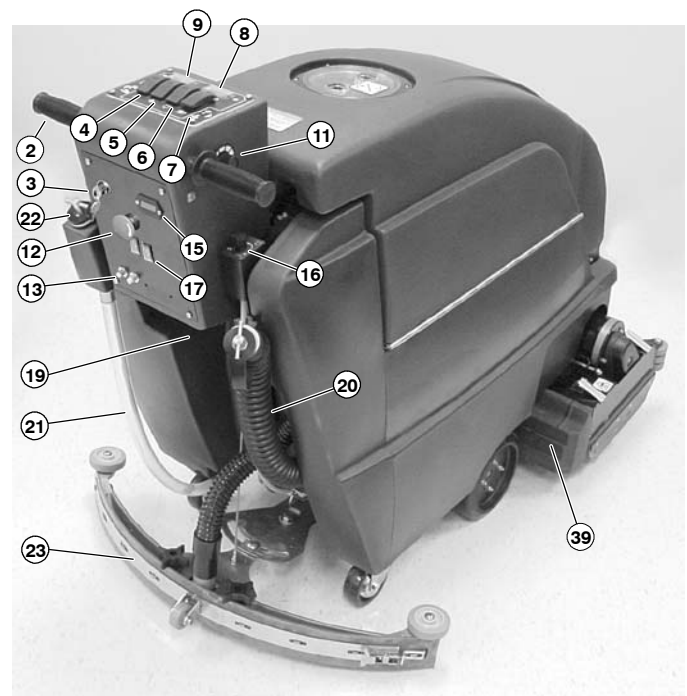
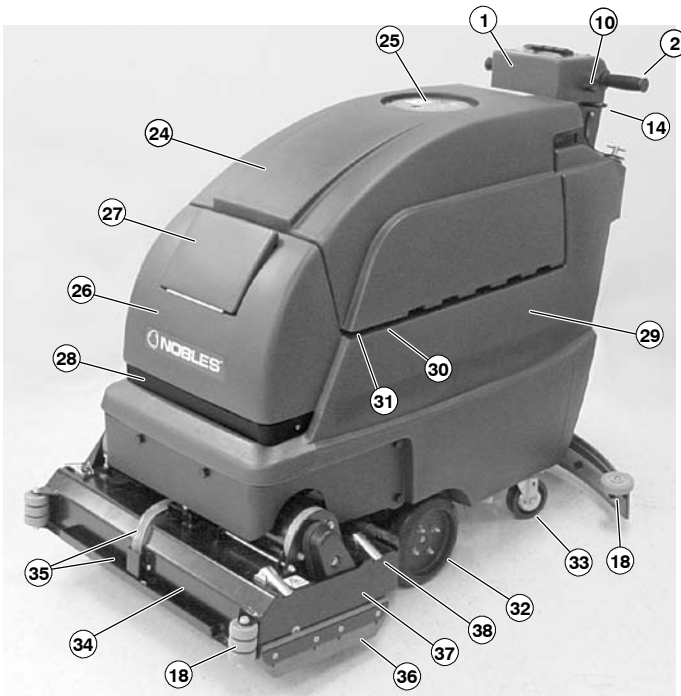


ETIQUETTE PIECES MOBILES – SITUÉE SUR L'ENVELOPPE DE PROTECTION DE LA TÊTE DE BROSSAGE

⚠ MISE EN GARDE: Pièces mobiles. Coupez le contact avant de travailler sur la machine.

FONCTIONNEMENT

COMPOSANTS DE LA MACHINE

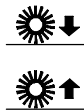


- | | | |
|---|--|---|
| 1. Panneau de commande | 13. Coupe-circuit principal, de l'extracteur/du système d'entraînement | 25. Couvercle du réservoir de récupération |
| 2. Poignées de commande | 14. Levier du racloir | 26. Réservoir de solution |
| 3. Contact (Opt.) | 15. Compteur horaire (Opt.) | 27. Porte de remplissage du réservoir de solution |
| 4. Bouton principal arrêt-marche | 16. Levier de réglage du débit de solution | 28. Feux de sécurité |
| 5. Bouton d'activation/de désactivation de l'extracteur | 17. Roulettes de mur | 29. Compartiment des batteries |
| 6. Bouton d'activation/de désactivation des brosses/du système de distribution de la solution | 18. Dispositif de commande de la tête de nettoyage | 30. Prise du chargeur |
| 7. Boutons de pression de brosse | 19. Commandes du panneau de commande réglable | 31. Lot Compteur Horaire (Opt.) |
| 8. Appareil de mesure de la pression des brosses | 20. Tuyau de vidange du réservoir de récupération | 32. Roues motrices |
| 9. Appareil de mesure de la charge des batteries | 21. Tuyau de vidange du réservoir de solution | 33. Roulettes arrière |
| 10. Bouton de marche arrière | 22. Trou de remplissage arrière | 34. Brosse cylindrique Tête de nettoyage |
| 11. Bouton de commande de la vitesse | 23. Bloc racloir | 35. Tuyau D'Alimentation De Solution/Cuvette |
| 12. Bouton de coupure de l'alimentation | 24. Réservoir de récupération | 36. Jupe de la tête de nettoyage |
| | | 37. Tablier D'Oisif De Brosse |
| | | 38. Un Verrou Plus à vide De Tablier |
| | | 39. Cuvette De Débris |

SYMBOLES DU PANNEAU DE COMMANDE



Alimentation principale



Brosse



Racloir relevé



Appareil mesure de la pression des brosses



Extracteur



Grande vitesse



Racloir abaissé



Commande de la solution



Appareil de mesure de la charge des batteries



Petite vitesse



Marche arrière

INSTALLATION DE LA MACHINE

DEBALLAGE DE LA MACHINE

1. Vérifiez soigneusement si le carton ne présente pas de dommages. Signalez immédiatement tout dommage au transporteur.
2. Vérifiez la liste du contenu du carton; contactez votre distributeur en cas d'éléments manquants.

Contenu du carton:

- Machine, Modèle Nr. 1002193
 - 24DC/120AC, 20A Chargeur De Batterie (#603235)
 - 2 - 12V, 215 AH Batteries (Installées)
 - 2- Brosses Cylindrique
 - Ens.Raclette
3. Pour retirer la machine du carton: dévissez l'arrière du châssis de la palette d'expédition, retirez les bandes d'expédition et soulevez délicatement la machine avec une aide ou utilisez une rampe pour la retirer de la palette.

ATTENTION: Ne faites pas rouler la machine de la palette pour éviter de l'endommager.

INSTALLATION DES BATTERIES

⚠ MISE EN GARDE: Les batteries émettent de l'hydrogène. Ce gaz est susceptible d'exploser ou de s'enflammer. Eloignez-les de toute étincelle ou flamme. Laissez les capots ouverts pendant la charge.

POUR VOTRE SECURITE: Quand vous effectuez l'entretien de la machine, portez des gants de protection quand vous manipulez les batteries et les câbles de batterie. Evitez tout contact avec l'acide de la batterie.

Spécifications des batteries:

Deux batteries de 12 volts à cycle intensif. Consultez votre distributeur agréé pour obtenir les batteries spécifiques. Dimensions maximum des batteries: 7 in / 17,8 cm de largeur x 15 in / 38 cm de longueur x 14 in / 35,5 cm de hauteur.

1. Tournez le commutateur principal en position OFF.
2. Faites pivoter avec précaution le réservoir de récupération pour accéder au compartiment des batteries. Assurez-vous que le réservoir de récupération est vide avant de l'ouvrir. Retirez du compartiment les câbles de batteries lâches (Figure 1).



FIG. 1

3. Placez avec précaution les batteries dans le plateau qui se trouve au fond du compartiment et connectez les bornes comme illustré (Figure 2).

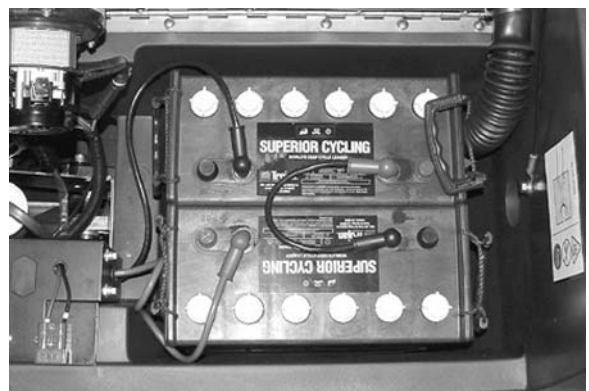


FIG. 2

ATTENTION: Ne laissez pas tomber les batteries dans le compartiment, afin d'éviter d'endommager les batteries et le châssis de la machine. Ces dommages ne sont pas couverts par la garantie.

4. Avant de connecter les câbles de batterie, veillez à ce que les bornes et les cosses soient propres. Utilisez un nettoyant de cosses et une brosse métallique pour nettoyer les cosses et les bornes.

REMARQUE: Appliquez une légère couche de graisse non métallique ou de laque de protection sur les connexions de câble pour éviter la corrosion des batteries.

5. Branchez les câbles aux bornes des batteries comme indiqué (ROUGE SUR BORNE POSITIVE ET NOIR SUR BORNE NEGATIVE)
6. Contrôlez l'indicateur du niveau de charge des batteries. La machine doit être en marche complète pour obtenir une lecture correcte (Voir UTILISATION DE LA MACHINE). Chargez les batteries si nécessaire.

MISE EN SERVICE DE LA MACHINE

FIXATION DU BLOC RACLOIR

1. Tournez la clé en position OFF.

POUR VOTRE SECURITÉ: Avant de quitter ou d'entretenir la machine, arrêtez la machine sur une surface horizontale, engagez le frein parking, coupez le contact et enlevez la clé.

2. Tirez le levier du racloir vers l'arrière pour relever la bride de fixation du racloir (Figure 3).

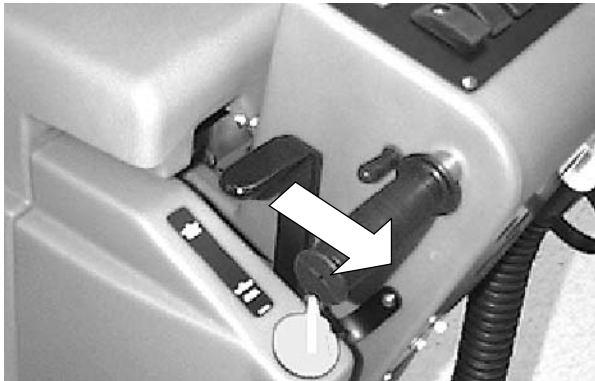


FIG. 3

3. Desserrez les deux molettes qui se trouvent sur le bloc racloir et faites glisser le racloir dans les fentes de la bride de fixation du racloir. Assurez-vous que les roulettes du racloir sont tournées vers l'extérieur (Figure 4).

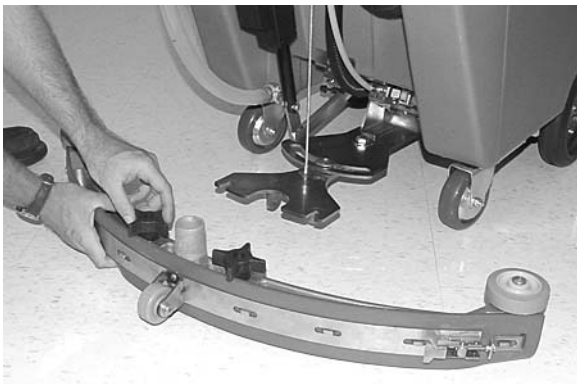


FIG. 4

4. Resserrez bien les molettes.
5. Branchez le tuyau d'aspiration de la machine au bloc racloir (Figure 5).

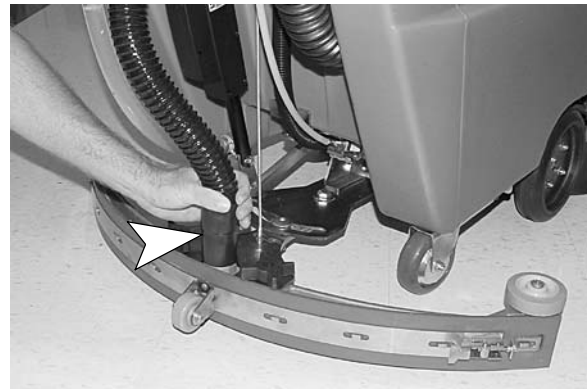


FIG. 5

INSTALLATION DES BROSSES

1. Tournez le commutateur principal en position ON. Enfoncez à moitié la base du bouton de pression de brosse, jusqu'à ce que la tête de brosse soit complètement relevée (Figure 6).

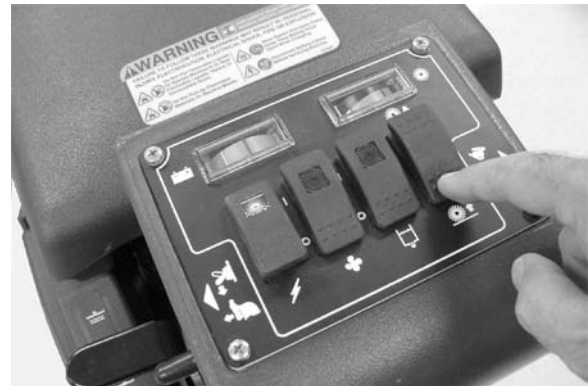


FIG. 6

2. Relevez la tête de brossage et retirez la clé de contact.

POUR VOTRE SECURITÉ: Avant de quitter ou d'entretenir la machine, arrêtez la machine sur une surface horizontale, coupez le contact et enlevez la clé.

3. Retirez les plateaux intermédiaires de la tête de brossage par les verrous libérants sur l'unité de brosse (Figure 7).



FIG. 7

4. Avec la double extrémité de rangée de brin vers vous, guidez la brosse dans le moyeu d'entraînement (Figure 8).

REMARQUE: Veillez à ce que l'extrémité de la brosse comportant la double rangée de poils soit placée vers la plaque intermédiaire.

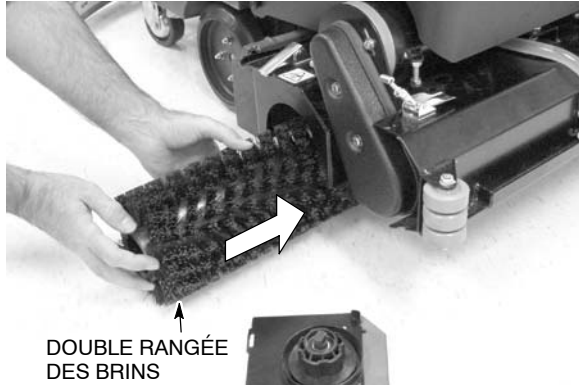


FIG. 8

5. Alignez un plat sur la brosse et rattachez les verrous.
6. Répétez les étapes pour l'autre brosse, située de l'autre côté de la tête de brossage.
7. Vérifiez l'ajustement de la brosse (Voir AJUSTEMENT DE LA TÊTE DE BROSSAGE).

REPLISSAGE DU RESERVOIR DE SOLUTION

1. Transportez la machine jusqu'au poste de ravitaillement. Relevez le racloir et la brosse pendant le transport.
2. Tournez le commutateur principal en position OFF.
3. Ouvrez le trou de remplissage de la solution qui se trouve à l'avant de la machine et remplissez le réservoir de 17 gal / 64 litre d'eau claire, température maximum 140° F / 60° C. Vous pouvez également utiliser le trou de remplissage qui se trouve à l'arrière de la machine pour remplir le réservoir de solution. Enlevez le bouchon et introduisez le tuyau pour remplir le réservoir. Le tube transparent qui se trouve sous le trou de remplissage est pourvu de graduations tous les 5 gal / 19 litres qui indiquent la quantité d'eau dans le réservoir (Figure 9).

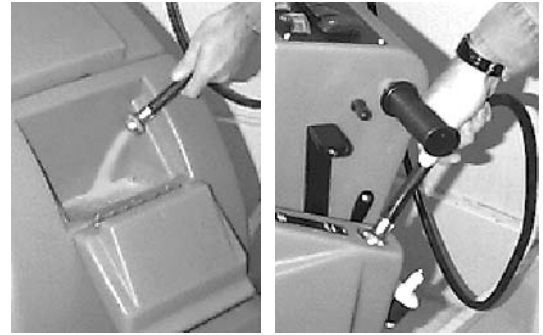


FIG. 9

REMARQUE: Si vous remplissez le réservoir avec un seau, assurez-vous que le seau est propre. Ce, afin d'éviter tout risque d'obstruction des conduites du système de distribution de la solution.

4. Ajoutez un nettoyant. Appliquez le taux de dilution indiqué sur le flacon.

POUR VOTRE SECURITE: Quand vous utilisez la machine, suivez les instructions de mélange et de manipulation indiquées sur les conteneurs chimiques.

ATTENTION: Utilisez uniquement des nettoyants recommandés, n'utilisez PAS de produits de substitution. Consultez un distributeur agréé pour toute recommandation.

⚠ MISE EN GARDE: danger d'incendie ou d'explosion. N'utilisez jamais de liquides inflammables.

AJUSTEMENT DE LA TAILLE DE CONSOLE

La machine a trois arrangements de taille.

Réglez les poignées de commande à une hauteur confortable en pressant l'un contre l'autre les deux leviers sous le panneau de commande (Figure 10).

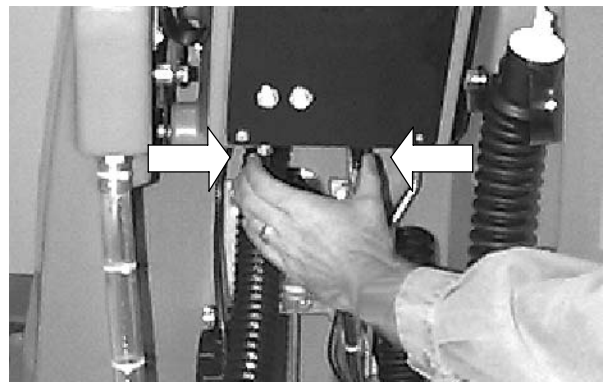


FIG. 10

FONCTIONNEMENT

UTILISATION DE LA MACHINE

POUR VOTRE SECURITE: N'utilisez la machine qu'après avoir lu et compris le manuel opérateur.

VERIFICATIONS PRELIMINAIRES

- Vérifiez le niveau de charge des batteries sur l'appareil de mesure de la charge des batteries pour vous assurer que les batteries sont chargées. (Voir CHARGE DES BATTERIES)
- Contrôlez l'état des patins ou des brosses.
- Contrôlez l'état des lames de racloir.
- Vérifiez que la cuvette de déchets est installée et vidée.

FONCTIONNEMENT DE LA MACHINE

1. Relâchez le levier du racloir de la position relevée et abaissez le racloir (Figure 11).

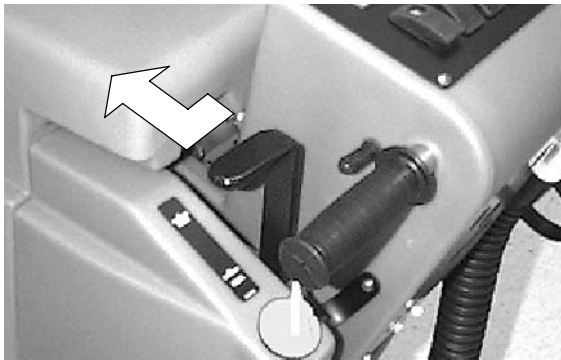


FIG. 11

2. Mettez le contact et activez l'interrupteur principal.
3. Tournez le bouton de brosse en position On pour abaisser la tête de brosse sur le sol (Figure 12).



FIG. 12

4. Tournez le bouton d'extracteur en position On.

REMARQUE: Les brosses et le système de distribution de la solution ne se mettent pas en marche tant que les poignées ne sont pas actionnées.

5. Avant de commencer à nettoyer, mettez le bouton de commande de la vitesse sur la vitesse inférieure (Figure 13).
6. Commencez à nettoyer en tournant les poignées de commande vers l'avant. Augmentez progressivement votre vitesse en tournant le bouton de commande de la vitesse vers l'avant (Figure 13).



FIG. 13

7. Une fois que la machine commence à se déplacer, contrôlez la position de l'aiguille de l'appareil de mesure de la pression de brosse. Utilisez les boutons d'ajustement de pression pour régler la pression de brosse. N'utilisez jamais la machine quand l'aiguille se trouve dans la zone rouge (Figure 14).



FIG. 14

ATTENTION: Pour éviter d'endommager le sol ou de surcharger le moteur de la brosse, n'utilisez pas la machine quand l'aiguille indiquant la pression des brosses se trouve dans la zone rouge.

8. Pour utiliser la machine en marche arrière, tirez le bouton de marche arrière vers l'arrière (Figure 15).



FIG. 15

9. Pour arrêter la machine, relâchez les poignées de commande.

PENDANT LE FONCTIONNEMENT DE LA MACHINE

POUR VOTRE SECURITE: Lors de l'utilisation de la machine, roulez lentement sur les pentes et sur les surfaces glissantes.

⚠ MISE EN GARDE: danger d'incendie ou d'explosion. Ne ramassez pas de matériaux inflammables ou de métaux réactifs.

1. Observez la quantité de solution diffusée sur le sol. Pour augmenter ou diminuer la circulation d'eau, ajustez le bouton de commande de solution (Figure 16).



FIG. 16

2. Vérifiez périodiquement la formation de mousse dans le réservoir de récupération (en regardant par le couvercle transparent). En cas de début de formation importante de mousse, versez un désémulsifiant recommandé dans le réservoir de récupération.

ATTENTION: Veillez à ne pas laisser pénétrer de mousse ou d'eau dans le filtre d'arrêt à flotteur, afin d'éviter l'endommagement du moteur de l'extracteur. La mousse n'active pas le filtre d'arrêt à flotteur.

3. Réduisez toujours la vitesse pour nettoyer le long de murs ou d'obstacles.
4. Réduisez toujours la vitesse dans les virages afin de garder le contrôle de la machine.
5. Si le racloir laisse des traînées, relevez le racloir et essuyez les lames avec un chiffon. Balayez au préalable la zone pour éviter la formation de traînées.
6. Laissez les traces de nettoyage se chevaucher de 5 cm.
7. Changez les brosses si usé.
8. Si vous éprouvez la vibration excessive de brosse ou l'exécution de frottement faible, voyez REGLAGE DE LA TETE DE BROSSAGE.
9. Evitez les obstacles au sol tels que plaques de boîtes électriques ou grilles car ils détruisent les patins.
10. Pendant les arrêts de courte durée, il n'est pas nécessaire de désactiver les boutons; les brosses et le système de distribution de la solution s'arrêtent automatiquement quand les poignées de commande sont relâchées.
11. Contrôlez périodiquement le niveau de charge des batteries. Quand l'aiguille passe dans la zone rouge, rechargez les batteries.

ATTENTION: Ne continuez pas à utiliser la machine quand l'aiguille indiquant le niveau de charge des batteries se trouve dans la zone rouge, afin d'éviter d'endommager les batteries.

12. Pendant le nettoyage, observez les graduations du tube transparent pour contrôler la quantité de solution restante. Chaque graduation du tuyau correspond à 19 litres.
13. Quand le réservoir de solution est vide, tournez le bouton de brossage en position Off et continuez à aspirer jusqu'à ce que toute l'eau sale soit épuisée. Ensuite, vidangez le réservoir de récupération. (Voir VIDANGE DES RESERVOIRS)
14. When cleaning on inclines, always clean moving downward, never upward. Never climb inclines that exceed 5 degrees, machine damage may occur.

FONCTIONNEMENT

ARRÊT DE LA MACHINE

1. Coupez le commutateur de la brosse, relevez la brosse et continuez à aspirer jusqu'à ce que toute l'eau sale soit évacuée.
2. Relâchez les poignées de commande.
3. Relevez le raclor et la tête de brossage.
4. Coupez tous les commutateurs.

POUR VOTRE SECURITÉ : Avant de quitter ou d'entretenir la machine, arrêtez-la sur une surface horizontale, coupez le contact.

ARRÊT D'URGENCE (OPTION)

Frappes sur le bouton d'arrêt d'urgence, situé sur le tableau de bord, pour arrêter la machine en cas d'urgence. Tournez le bouton dans le sens des aiguilles d'une montre pour le réenclencher (Figure 17).

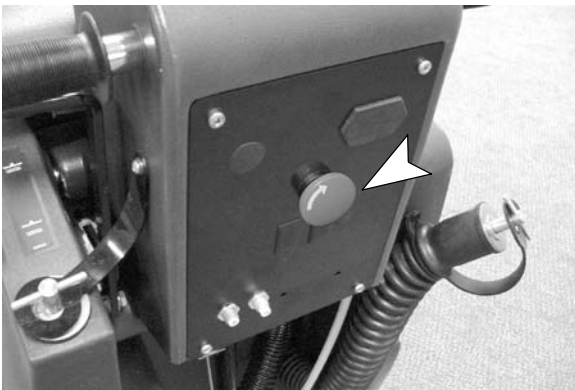


FIG. 17

COUPE-CIRCUIT

La machine est équipée de (4) coupe-circuit, afin de la protéger contre les dommages éventuels.

Si les coupe-circuit se déclenchent, il n'est pas possible de les réenclencher immédiatement. Déterminez la cause du désenclenchement des coupe-circuit, laissez le moteur refroidir et réenclenchez les coupe-circuit.

Les coupe-circuit des moteurs des brosses se déclenchent en cas de surcharge du patin. Réduisez la pression du patin ou remplacez le patin si le coupe-circuit se déclenche. Les coupe-circuit des moteurs des brosses se trouvent près de la prise du chargeur.

Le coupe-circuit principal (10 amp) et le coupe-circuit de l'extracteur/du système d'entraînement (35 amp) se trouvent à l'arrière de la machine. Les coupe-circuit du moteur de brosse (25 amp) sont situés près de la prise de mise en charge (Figure 18).

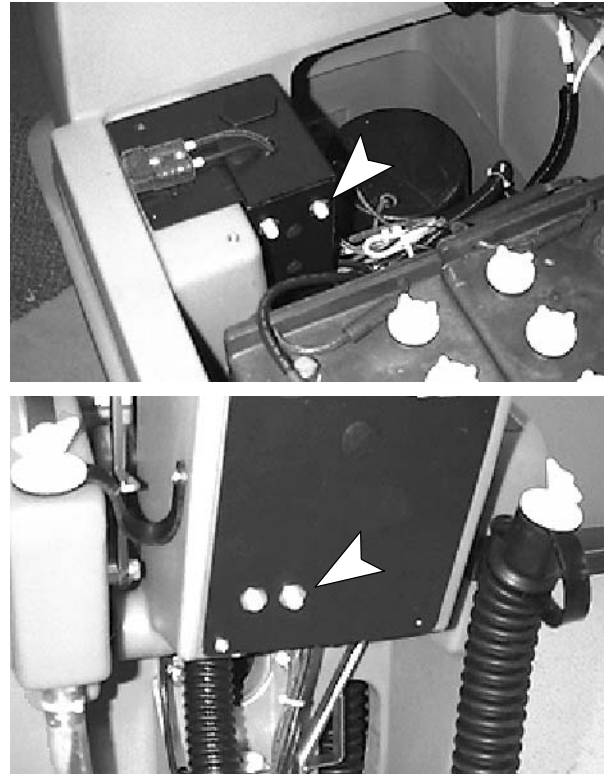


FIG. 18

VIDANGE DES RESERVOIRS

POUR VOTRE SECURITE: Avant de quitter ou d'entretenir la machine, arrêtez-la sur une surface horizontale, coupez le contact et engagez le frein parking.

VIDANGE DU RESERVOIR DE RECUPERATION

Le réservoir de récupération doit être vidangé et nettoyé une fois le brossage terminé ou quand vous remplissez le réservoir de solution.

ATTENTION: Si le réservoir de récupération n'est pas vidangé avant le remplissage, de la mousse ou de l'eau risquent de pénétrer dans le filtre d'arrêt à flotteur et d'endommager le moteur de l'extracteur.

1. Enlevez le tuyau de vidange de son support, amenez le tuyau au-dessus d'un trou de vidange au sol et retirez le bouchon du tuyau de vidange. Pour vidanger complètement le réservoir de récupération, faites pivoter sur le côté le réservoir et faites basculer le support du réservoir pour y déposer le réservoir (Figure 19).

REMARQUE: Si vous utilisez un seau pour vidanger la machine, n'employez pas le même seau pour remplir le réservoir de solution. Ce, afin d'éviter tout risque d'obstruction des conduites du système de distribution de la solution.



FIG. 19

2. Rincez le réservoir de récupération après chaque emploi. Utilisez un tuyau pour rincer le réservoir. Veillez à ne pas asperger d'eau dans le filtre d'arrêt à flotteur.
3. Après la vidange, replacez fermement l'embout du tuyau de vidange.

VIDANGE DU RESERVOIR DE SOLUTION

Pour vidanger la solution nettoyante restante du réservoir de solution, procédez de la manière suivante:

1. Retirez le tuyau transparent de la pointe réceptrice qui se trouve à l'arrière de la machine et vidangez la solution dans un trou de vidange au sol ou dans un seau (Figure 20).

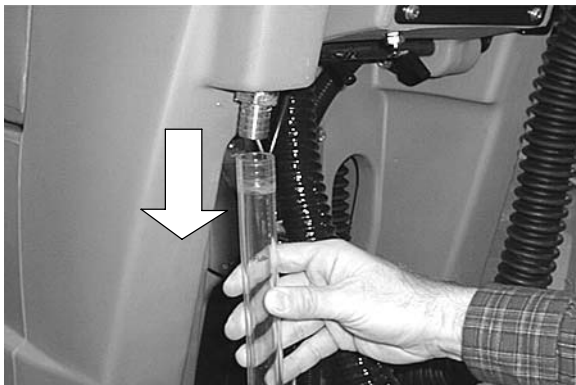


FIG. 20

2. Rincez le réservoir de solution et le système de distribution de la solution à l'eau claire après chaque emploi. Ceci évite tout risque d'obstruction due à la formation de dépôts chimiques.
3. Remettez le tuyau transparent sur la pointe réceptrice. Vérifiez que le tuyau est bien enfoncé dans la pointe réceptrice du tuyau.

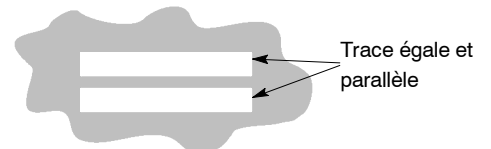
REGLAGE DE LA TETE DE BROSSAGE

Sur une base mensuelle ou après installation de nouvelles brosses, vérifiez le modèle de brosse pour assurer des brosses sont correctement ajustés. Les brosses qui sont installées incorrectement auront comme conséquence l'usage prématuré de brosse et l'exécution de frottement faible.

REMARQUE: Avant de vérifier ou de régler la brosse, vérifiez la pression des pneus et remplissez le réservoir de solution.

1. Appliquez une substance poudreuse, telle que de la craie, sur une surface plate et lisse.
2. Avec la tête de brossage relevée, positionnez la tête au-dessus de la zone de test.
3. Blocs d'endroit derrière chaque roue d'entraînement pour maintenir la machine stationnaire et Tournez le bouton de commande de vitesse en position minimale.
4. Abaissez la tête de brossage sur le sol avec une pression d'abaissement maximum.
5. Tournez le bouton de solution en position OFF.
6. Faites légèrement pivoter vers l'avant les deux poignées de commande pendant 2 secondes, tout en maintenant la machine sur place.
7. Relevez la tête de brossage et retirez la machine de la zone de test.
8. Observez la trace des brosses sur le sol. Les deux brosses doivent laisser une trace égale et parallèle (Figure 21).

TRACE DE BROSSES CORRECTE



TRACES DE BROSSAGE INCORRECTES



FIG. 21

FONCTIONNEMENT

9. Si la trace de brossage correspond à une des traces incorrectes, l'ajustement est nécessaire.

POUR AJUSTER UNE BROSSE CYLINDRIQUE AVEC UNE TRACE INÉGALE:

1. abaissez la tête de brossage sur le sol avec une pression d'abaissement maximale.
2. Coupez le contact et enlevez la clé si équipé.

POUR VOTRE SECURITÉ : Avant de quitter ou d'entretenir la machine, arrêtez-la sur une surface horizontale, coupez le contact et engagez le frein parking, si la machine en est équipée.

3. Mesurez la distance du bord supérieur de la tête au plancher à l'avant et l'arrière. La dimension à l'avant de frottent la tête devrait être de 25 dedans / 6.35 millimètres de inférieure à l'arrière (Figure 22).

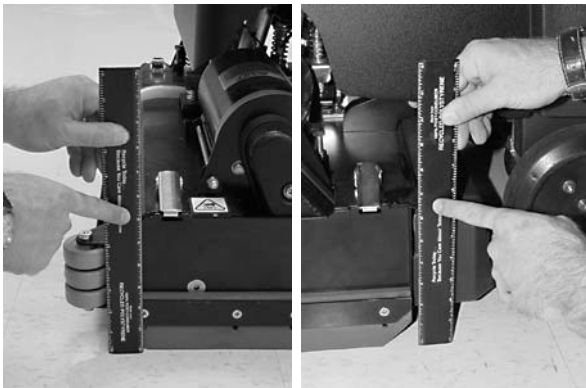


FIG. 22

4. Pour ajuster une brosse, détachez légèrement (4) les contre-écrous sur le support de rouleur et le contre-écrou sur le bouton de mise à niveau principal de frottement (Figure 23). Tournez le bouton dans le sens des aiguilles d'une montre à l'arrière inférieur de frottent la tête et abaissez dans le sens contraire des aiguilles d'une montre l'avant. la clé à douille de 13mm a exigé.

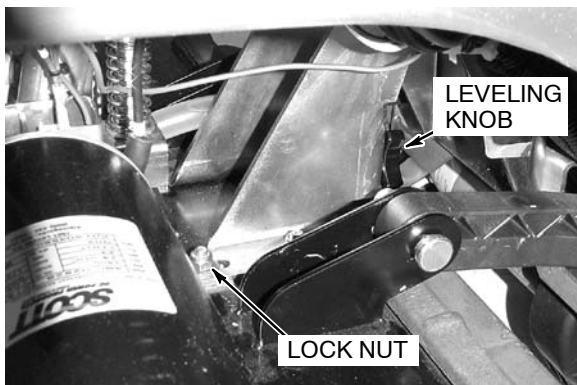


FIG. 23

5. Vérifiez à nouveau la trace de brosse et réajustez si nécessaire.

POUR AJUSTER UNE BROSSE CYLINDRIQUE AVEC UNE TRACE CONIQUE:

1. Relevez la tête de brossage et retirez la clé de contact.

POUR VOTRE SECURITE: Avant de quitter ou d'entretenir la machine, arrêtez-la sur une surface horizontale, coupez le contact.

2. Retirez le plateau intermédiaire de la tête de brosse par les verrous libérants sur la tête de brosse (Figure 24).

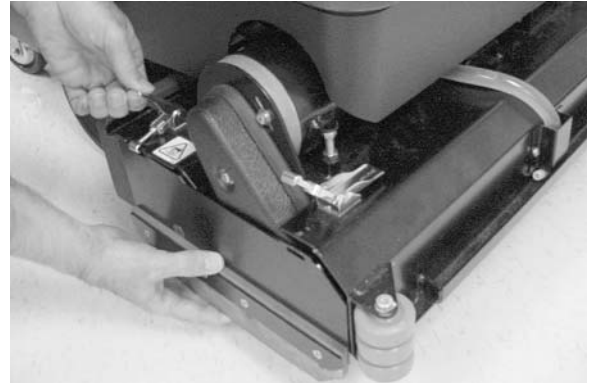


FIG. 24

3. Tirez le plateau intermédiaire hors de l'extrémité de la brosse.
4. Maintenez l'arbre emboîtable de brosse avec une clé de 0,375 pouce et desserrez la vis à tête Allen (une clé Allen de 6 mm est requise (Figure 25).



FIG. 25

5. Quand vous ajustez la brosse avant, tournez l'arbre dans le sens des aiguilles d'une montre pour abaisser l'extrémité de la brosse. Quand vous ajustez la brosse arrière, tournez l'arbre dans le sens contraire des aiguilles d'une montre pour abaisser l'extrémité de la brosse. Resserrez-la vis Allen après l'ajustement (Figure 26).



FIG. 26

6. Remplacez le plateau intermédiaire et vérifiez à nouveau la trace de brosse; réajustez si nécessaire.

CHARGE DES BATTERIES

ATTENTION : pour prolonger la durée de vie des batteries et obtenir des performances optimales, rechargez les batteries **UNIQUEMENT** après une durée d'utilisation totale de 30 minutes ou plus. **Ne laissez jamais les batteries se décharger sur de longues périodes.**

Les instructions de mise en charge ci-dessous sont destinées uniquement aux chargeurs de batteries fournis avec la machine. Utilisez uniquement un chargeur de batterie ayant les caractéristiques ci-dessous, afin d'éviter l'endommagement des batteries.

SPÉCIFICATIONS DU CHARGEUR DE BATTERIES:

- TYPE DE CHARGEUR :
- POUR DES BATTERIES PLOMB-ACIDE
- TENSION DE SORTIE - 24 VOLTS
- COURANT DE SORTIE - 15 AMPÈRES
- CIRCUIT DE COUPURE AUTOMATIQUE
- POUR LA MISE EN CHARGE DE BATTERIES A CYCLE INTENSIF

1. Transportez la machine dans un endroit bien aéré pour recharger les batteries.

⚠ MISE EN GARDE : danger d'incendie ou d'explosion. Les batteries émettent du gaz hydrogène. Evitez toute étincelle et toute flamme nue à proximité des batteries. Laissez ouvert le compartiment des batteries pendant la mise en charge.

2. Avant de mettre en charge les batteries, vérifiez le niveau d'électrolyte dans chaque élément de batterie (Figure 27).



FIG. 27

POUR VOTRE SECURITÉ: lorsque vous entretenez la machine, portez des gants et des lunettes de protection quand vous maniez les batteries et les câbles de batterie. Evitez tout contact avec l'acide des batteries.

Le niveau d'électrolyte (A) doit légèrement recouvrir les plaques de batteries (B). Ajoutez de l'eau distillée si nécessaire. **NE REMPLISSEZ PAS TROP**, le fluide va augmenter de volume et risque de déborder lors de la mise en charge. Remettez les bouchons sur les éléments, avant la mise en charge (Figure 28).

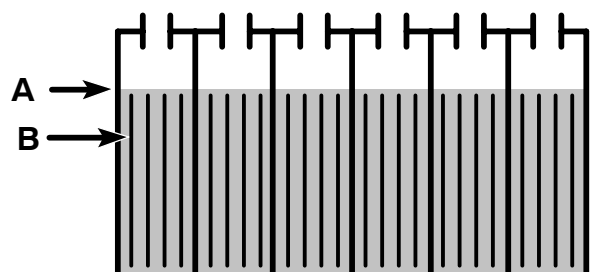


FIG. 28

FONCTIONNEMENT

3. Branchez le cordon d'alimentation CA du chargeur sur une prise mise à la terre correctement (Figure 29).

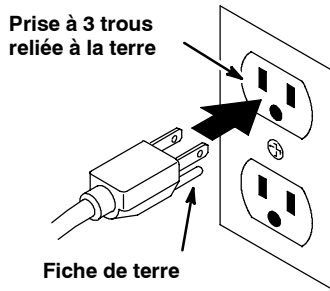


FIG. 29

4. Branchez le cordon de courant continu du chargeur sur la prise de batterie située à l'arrière de la machine (Figure 30).

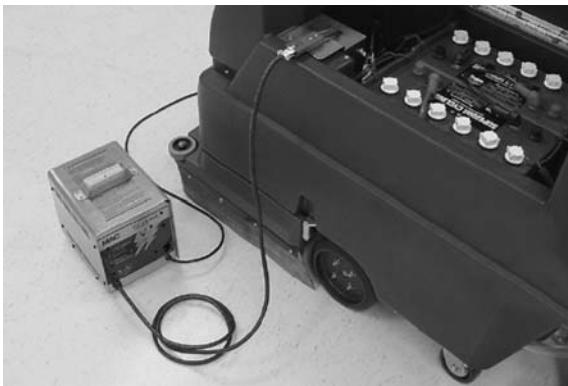


FIG. 30

5. Le chargeur commence automatiquement à charger et se coupe lorsque les batteries sont complètement chargées.
6. Posez le réservoir de récupération sur la béquille de support, afin de faciliter la ventilation durant la mise en charge (Figure 31).



FIG. 31

ATTENTION: ne débranchez pas le cordon d'alimentation en courant continu de la prise de la machine lorsque le chargeur est en fonctionnement. Ceci peut provoquer des étincelles. Si le chargeur doit être arrêté durant la mise en charge, débranchez d'abord le cordon d'alimentation en courant alternatif.

⚠ MISE EN GARDE: danger d'incendie ou d'explosion. Les batteries émettent du gaz hydrogène. Évitez toute étincelle et toute flamme nue à proximité des batteries. Laissez ouvert le compartiment des batteries pendant la mise en charge.

7. Batteries plomb-acide : après le chargement, vérifiez le niveau d'électrolyte (A) des batteries. Le niveau doit se trouver environ à .375 in / 1 cm du bord inférieur de l'orifice de remplissage (B) (Figure 32). Ajoutez de l'eau distillée si nécessaire. NE REMPLISSEZ PAS TROP.

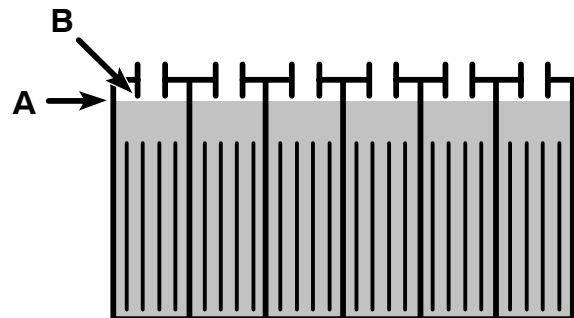


FIG. 32

ENTRETIEN DE LA MACHINE

Pour garder la machine en bon état de marche, suivez les procédures d'entretien quotidiennes, hebdomadaires et mensuelles.

POUR VOTRE SECURITÉ: Avant de quitter ou d'entretenir la machine, arrêtez la machine sur une surface horizontale, engagez le frein parking, coupez le contact et enlevez la clé.

⚠ MISE EN GARDE: danger électrique. Débranchez les câbles de la batterie avant l'entretien ou la réparation de la machine.

ATTENTION: Contactez un service de réparation agréé pour les réparations de la machine. Les réparations effectuées par une autre personne que celle agréée entraînent une annulation de votre garantie.

ENTRETIEN QUOTIDIEN (À la suite Tout Utilité)

1. Vidangez et rincez les réservoirs soigneusement (Figure 33). Après avoir vidangé les réservoirs, faites pivoter le réservoir de récupération jusqu'à ce que vous voyiez l'orifice d'admission de l'extracteur à l'arrière du réservoir. Enlevez tous les débris obstruant l'orifice si nécessaire.



FIG. 33

2. Retirez et nettoyez le ruban du filtre du flotteur situé dans le réservoir de récupération (Figure 34).



FIG. 34

3. Videz et rincez la cuve à débris (Figure 35).



FIG. 35

4. Relevez le raclor et essuyez-le avec un chiffon sec. Rangez le raclor en position relevée pour éviter de l'endommager. (Figure 36). Examinez les lames de racle pour détecter les dommages et l'usage. Tournez ou remplacez les lames si usé ou endommagé.

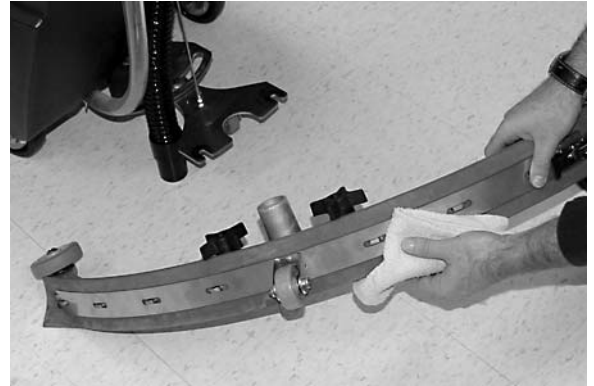


FIG. 36

5. Contrôlez la présence de débris coincés dans les brosses. Brosses de changement si des brins sont portés à une longueur de 0.38 po / 10 mm ou moins (Figure 37).



FIG. 37

6. Vérifiez l'usure et le réglage de la ou des jupes de la tête de brossage. Les jupes devraient toucher le plancher, ajustez si necessary (Figure 38). Remplacez si endommagé.



FIG. 38

FONCTIONNEMENT

REMARQUE: Remplacez toujours les brosses comme ensemble. Ne remplacez jamais juste un.

7. Nettoyez la carrosserie de la machine avec un produit non-abrasif et non-solvant. (Figure 39).



FIG. 39

POUR VOTRE SECURITÉ: lorsque vous nettoyez la machine, n'utilisez pas de jet de pression sur la machine. Un dysfonctionnement électrique risque de se produire.

8. Rinçage hors de cuvette de solution.
9. Batteries de recharge si nécessaire.

REMARQUE: Pour prolonger la vie de batterie, rechargez SEULEMENT les batteries si plus de 15% déchargé de la capacité de batterie.

ENTRETIEN SEMAINE

(Toutes les 20 heures de service)

1. Enlevez le filtre en ligne et rincez-le. Avant de retirer le filtre, assurez-vous que le réservoir de solution est vide. Le filtre se trouve sous la machine à l'arrière (Figure 40).

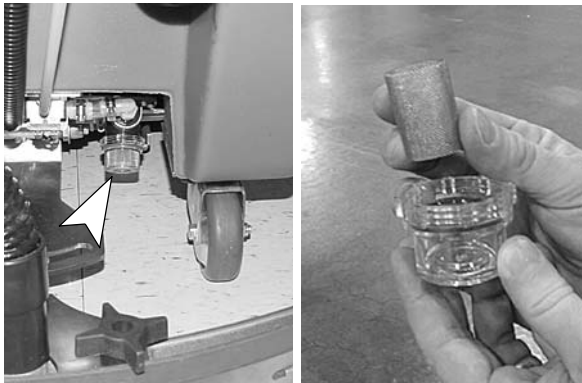


FIG. 40

2. Contrôlez le niveau d'électrolyte des éléments des batteries. (Voir ENTRETIEN DES BATTERIES).
3. Nettoyez la partie supérieure des batteries pour éviter la corrosion. (Voir ENTRETIEN DES BATTERIES).

4. Vérifiez si les câbles des batteries ne sont pas détachés ou corrodés.

ENTRETIEN MENSUEL

(Toutes les 80 heures de service)

1. Rincez le système de rinçage de solution. Remplissez 3 gal / 11, 3 L d'eau chaude dans le réservoir de solution. Ajoutez un détergent alcalin suivant les instructions de mélange. Faites fonctionner brièvement l'option ES et la manche de la machine au-dessus d'une rigole dans le sol, sur une durée de 30 secondes pour chaque option. Coupez le contact et laissez reposer la machine pendant la nuit. Le jour suivant, dispersez le restant de détergent alcalin et rincez le système de solution.

REMARQUE: Contactez votre fournisseur chimique pour un liquide recommandé de neutralisant.

POUR VOTRE SECURITÉ: À l'aide de la machine, suivez mélanger et manipuler des instructions sur les récipients chimiques.

2. Vérifiez l'ajustement des brosses (Voir AJUSTEMENT DE LA TETE DE BROSSAGE).
3. Lubrifiez les graisseurs des roulettes avec une graisse imperméable (Figure 41).

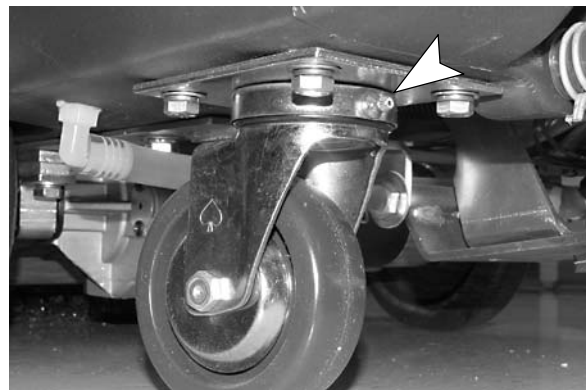


FIG. 41

4. Lubrifiez tous les points de pivot et les roulettes avec un spray au silicone puis recouvrez avec une graisse résistant à l'eau pour maintenir un fonctionnement régulier.

- Vérifiez la tension de la courroie. La flexion de courroie correcte doit être de 0.25 in / 6.35 mm au point central, pour une force de 12.0-12.8 lb / 5.44-5.81 kg (Figure 42).

POUR VOTRE SECURITÉ: En entretenant la machine, débranchez les raccords de batterie avant de travailler à la machine.

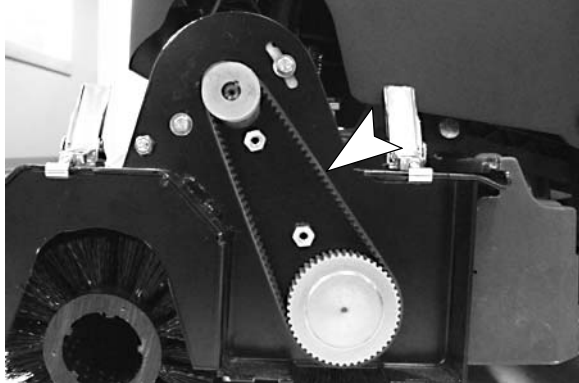


FIG. 42

Pour ajuster la tension de courroie, desserrez les deux vis de bâti de moteur et tournez la vis d'approche (Figure 43). Tighten the screws and the counter-nut after adjustment.

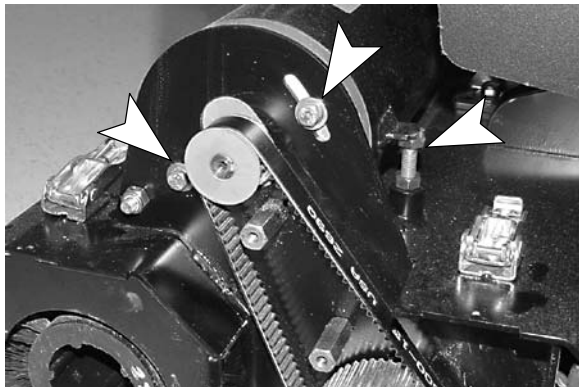


FIG. 43

ATTENTION: Contactez un service de réparation agréé pour les réparations de la machine.

- Vérifiez la présence éventuelle de fuites d'eau et le serrage des écrous et des boulons.

ENTRETIEN TRIMESTRIEL (Toutes les 250 heures de service)

Vérifiez l'usure des balais au carbone des moteurs du système d'entraînement, de l'extracteur et des brosses et remplacez les balais s'ils mesurent 0.38 in / 1 cm ou moins.

Contactez un service de réparation agréé pour les réparations de la machine.

POUR VOTRE SECURITÉ : Lors du dépannage de la machine, toutes les réparations doivent être effectuées uniquement par un technicien qualifié.

REPLACEMENT DES LAMES DE RALCOIR

Le racloir possède deux lames. La lame arrière de racloir possède quatre bords de nettoyage, la lame avant possède deux bords de nettoyage. Lorsque les lames deviennent usées, faites pivoter simplement les lames pour exposer un nouveau bord de nettoyage. Remplacez la lame lorsque tous les bords sont usés.

Rotation ou remplacement de la lame arrière:

- Retirez de la machine le bloc de racloir.
- Détachez l'agrafe de la bande et retirez la bande du bloc de racloir (Figure 44).

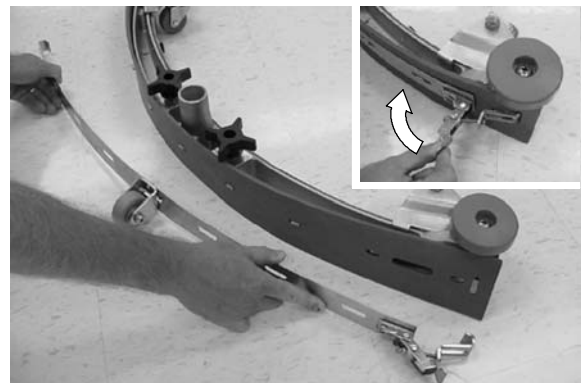


FIG. 44

- Faites pivoter la lame arrière pour obtenir un nouveau bord nettoyant et réinstallez la bande (Figure 45).

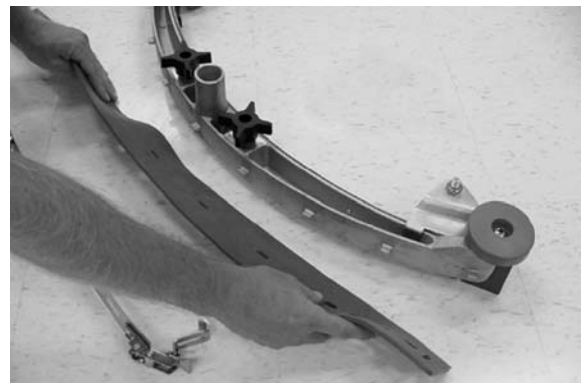


FIG. 45

Rotation ou remplacement de la lame avant

- Retirez de la machine le bloc de racloir.

FONCTIONNEMENT

- Retirez les six vis à oreilles maintenant le système de retenue et la lame de racler sur le châssis du racler. Faites pivoter bout à bout la lame de racler afin de placer un nouveau bord sur l'avant de la machine. Assurez-vous que le bord cranté de la lame se trouve vers le bas (Figure 46).

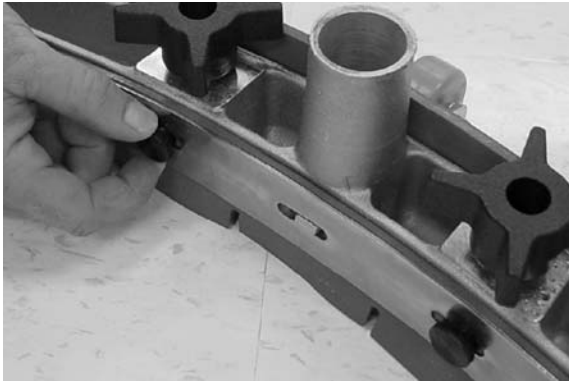


FIG. 46

RÉGLAGE DES LAMES DE RACLOIR

Pour une performance optimale des lames de racler, les roulettes du bloc de racler doivent être réglées à une hauteur spécifique, comme décrit ci-dessous.

- Pour vérifier le bon réglage du bloc de racler, retirez le bloc de racler de la machine et placez-le sur une surface égale. Mesurez la distance entre la roulette et la surface. Cette distance doit être environ 1/16" / 2mm (Figure 47).
- Pour régler la hauteur de roulette, desserrez l'écrou supérieur et retirez le carter en plastique du roulement pour accéder à l'écrou de réglage. Tournez l'écrou de réglage jusqu'à ce que vous obteniez le bon réglage (Figure). Après le réglage, resserrez l'écrou supérieur et remplacez le carter en plastique du roulement. Répétez l'opération pour l'autre roulette.

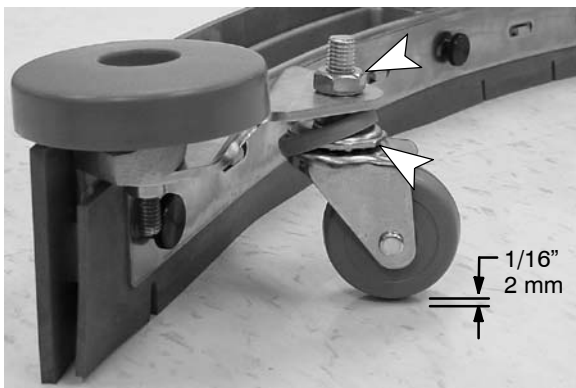


FIG. 47

- Durant le fonctionnement de la machine avec les roulettes réglées correctement, les lames de racler doivent avoir une déflexion comme illustré (Figure 48).

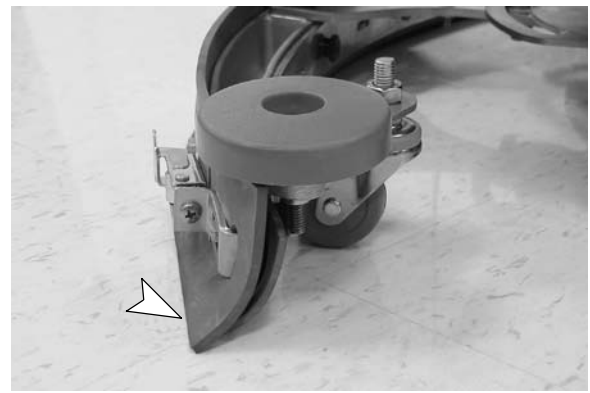


FIG. 48

ENTRETIEN DES BATTERIES

⚠ MISE EN GARDE: danger d'incendie ou d'explosion. Les batteries émettent du gaz hydrogène. Évitez toute étincelle et toute flamme nue à proximité des batteries. Laissez ouvert le compartiment des batteries pendant la mise en charge.

POUR VOTRE SECURITÉ: lorsque vous entretenez la machine, portez des gants et des lunettes de protection quand vous maniez les batteries et les câbles de batterie. Évitez tout contact avec l'acide des batteries.

- Vérifiez la densité spécifique à l'aide d'un hydromètre, pour déterminer le niveau de charge et l'état des batteries (Figure 49). Si un ou plusieurs des éléments des batteries est (sont) plus faible(s) que les autres éléments des batteries (de 0,050 ou plus), cela signifie que l'élément (les éléments) est (sont) endommagé(s), que sa (leur) capacité est réduite ou qu'il(s) va (vont) bientôt tomber en panne. Comparez les mesures hydrométriques avec le tableau suivant pour déterminer le niveau de charge.

REMARQUE: n'effectuez pas de mesures juste après avoir ajouté de l'eau distillée. Si l'eau et l'acide ne sont pas bien mélangés, il se peut que les mesures ne soient pas exactes.

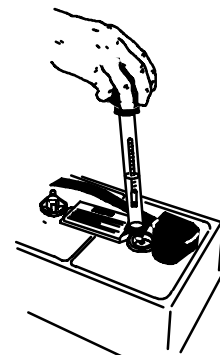


FIG. 49

DENSITÉ SPÉCIFIQUE à 80°F / 27°C	CHARGE DE BATTERIE
1.265	Chargée à 100%
1.223	Chargée à 75%
1.185	Chargée à 50%
1.148	Chargée à 25%
1.110	Déchargée

REMARQUE: si les lectures sont effectuées quand la température de l'électrolyte est autre que 80°F / 27°C, la lecture doit être corrigée par rapport au niveau de température. Ajoutez ou soustrayez 0,004 (4 points) à la lecture de densité spécifique, pour chaque 43°F / 6 °C au-dessus ou au-dessous de 80°F / 27°C.

- Suivez toujours attentivement les instructions de chargement (Voir CHARGEMENT DES BATTERIES).
- Après la mise en charge des batteries, vérifiez le niveau d'électrolyte (A) dans chaque élément de batterie. Le niveau doit se trouver environ à 1 cm du bord inférieur de l'orifice de remplissage (B). Ajoutez de l'eau distillée si nécessaire (Figure 50). NE REMPLISSEZ PAS TROP.

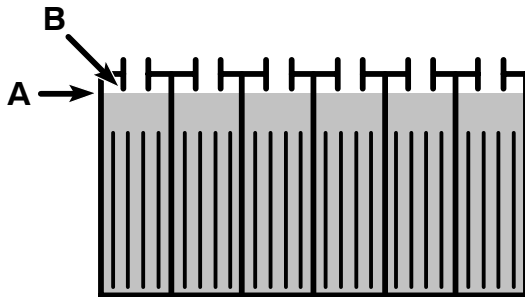


FIG. 50

- Nettoyez la partie supérieure des batteries pour prévenir la corrosion des batteries.
Pour nettoyer les batteries:

POUR VOTRE SECURITÉ: lorsque vous entretenez la machine, portez des gants et des lunettes de protection quand vous maniez les batteries et les câbles de batterie. Evitez tout contact avec l'acide des batteries.

- Préparez une solution concentrée de bicarbonate de soude (Figure 51).



FIG. 51

- Brossez les surfaces supérieures et les cosses de câbles des batteries en utilisant la solution avec modération.

REMARQUE: veillez à ce que la solution de bicarbonate de soude ne pénètre pas dans les éléments des batteries.

- Utilisez une brosse métallique pour nettoyer les bornes et les cosses de câbles.
 - Une fois le nettoyage terminé, appliquez une couche de produit de protection pour batteries sur les bornes et les cosses de câbles.
- Vérifiez si les câbles ne sont pas débranchés ou usés. Remplacez-les s'ils sont usés.

TRANSPORT DE LA MACHINE

Lorsque vous transportez la machine à l'aide d'une remorque ou d'un camion, veuillez suivre les instructions suivantes pour attacher la machine.

POUR VOTRE SECURITE: Lors de l'utilisation de la machine, roulez lentement sur les pentes et sur les surfaces glissantes.

- Enlevez le racloir de la machine et relevez la tête de nettoyage. Laissez le patin ou la brosse monté(e).
- Chargez la machine à l'aide d'une rampe de chargement recommandée.
- Mettez l'avant de la machine contre l'avant de la remorque ou du camion. Une fois la machine à sa place, abaissez la tête de nettoyage.
- Engagez le frein de parcage et mettez un bloc derrière la roue motrice et les roulettes arrière.
- Mettez des sangles par-dessus la machine et fixez-les au plancher. Il se peut qu'il soit nécessaire d'installer des brides d'attache au plancher de votre remorque ou camion.

FONCTIONNEMENT

ENTREPOSAGE DE LA MACHINE


1. Chargez les batteries avant l'entreposage. N'entreposez jamais la machine avec des batteries déchargées.
2. Avant d'entreposer la machine, veillez à rincer les réservoirs et à vider toute l'eau de la machine.
3. Entreposez la machine à l'abri de l'humidité en veillant à enlever le racloir et à relever la tête de nettoyage.
4. Lorsque vous entreposez la machine, soulevez la tête de brossage et le racloir afin d'éviter des dommages.

ATTENTION: Si vous entreposez la machine à des températures inférieures à 0°C, assurez-vous que toute l'eau de la machine est vidangée. Les dommages occasionnés par le gel ne sont pas couverts par la garantie.

ATTENTION: N'exposez pas la machine à la pluie ; entreposez-la à l'intérieur.

PIECES DE STOCK RECOMMANDEES

Reportez-vous à la section Liste des pièces pour les pièces de stock recommandées. Les pièces de stock sont identifiées clairement à l'aide d'un point précédant la description des pièces. Voir exemple ci-dessous:



Ref.	Part No.	Description	Qty.
1	701103	ASSEMBLY, STANDPIPE	1
2	180618	● FLOAT, SHUTOFF	1
3	230197	NIPPLE	1
4	101714	● GASKET	1
5	210240	NUT, FLANGED	1

DEPISTAGE DES PANNES

PROBLEME	CAUSE	REMEDE
Pas de tension, rien ne fonctionne.	Interrupteur principal ou contact défectueux.	Contactez le service de dépannage.
	Batteries doivent être chargées.	Voyez CHARGE DES BATTERIES.
	Batterie(s) défectueuse(s).	Remplacez batterie(s).
	Câble de batterie détaché.	Rebranchez câble.
	Coupe-circuit PRINCIPAL s'est déclenché.	Déterminez la cause et réenclenchez le bouton du coupe-circuit.
	Bouton facultatif d'arrêt d'urgence actionné	Tournez le bouton dans le sens des aiguilles d'une montre à la remise.
Les moteurs des brosses ne fonctionnent pas.	Poignées de commande ne sont pas actionnées.	Actionnez les poignées de commande.
	Coupe-circuit de brosse déclenché(s).	Nettoyez ou remplacez le patin et réenclenchez le bouton du coupe-circuit de brosse.
	Moteur ou câblage de brosse défectueux.	Contactez le service de dépannage.
	Balais au carbone usés.	Contactez le service de dépannage.
	Bouton des brosses ou solénoïde défectueux.	Contactez le service de dépannage.
Le moteur de l'extracteur ne fonctionne pas.	Bouton de l'extracteur défectueux.	Contactez le service de dépannage.
	Coupe-circuit de l'extracteur déclenché.	Enlevez les débris causant l'obstruction et réenclenchez le coupe-circuit.
	Moteur ou câble de l'extracteur défectueux.	Contactez le service de dépannage.
	Balais au carbone usés.	Contactez le service de dépannage.
Le moteur du système d'entraînement ne fonctionne pas.	Coupe-circuit du moteur du système d'entraînement déclenché.	Déterminez la cause et réenclenchez le coupe-circuit.
	Connexion ou panneau du circuit de commande de la vitesse défectueux.	Contactez le service de dépannage.
	Solénoïde défectueux.	Contactez le service de dépannage.
	Moteur du système d'entraînement défectueux.	Contactez le service de dépannage.
	Câblage défectueux.	Contactez le service de dépannage.
	Balais au carbone usés.	Contactez le service de dépannage.
Le moteur du système d'entraînement fonctionne mais pas convenablement.	Potentiomètre ou panneau du circuit de commande de la vitesse défectueux.	Contactez le service de dépannage.
	Fil détaché.	Contactez le service de dépannage.
Débit de solution faible ou nul.	Bouton de réglage du débit de solution doit être réglé.	Tournez le bouton de réglage du débit de solution dans le sens des aiguilles d'une montre pour augmenter le débit.
	Conduite du système de distribution de la solution ou filtre du réservoir de solution est obstrué.	Enlevez le tuyau et soufflez-y de l'air comprimé. Rincez le réservoir de solution après chaque emploi.

FONCTIONNEMENT

DEPISTAGE DES PANNES - Suite

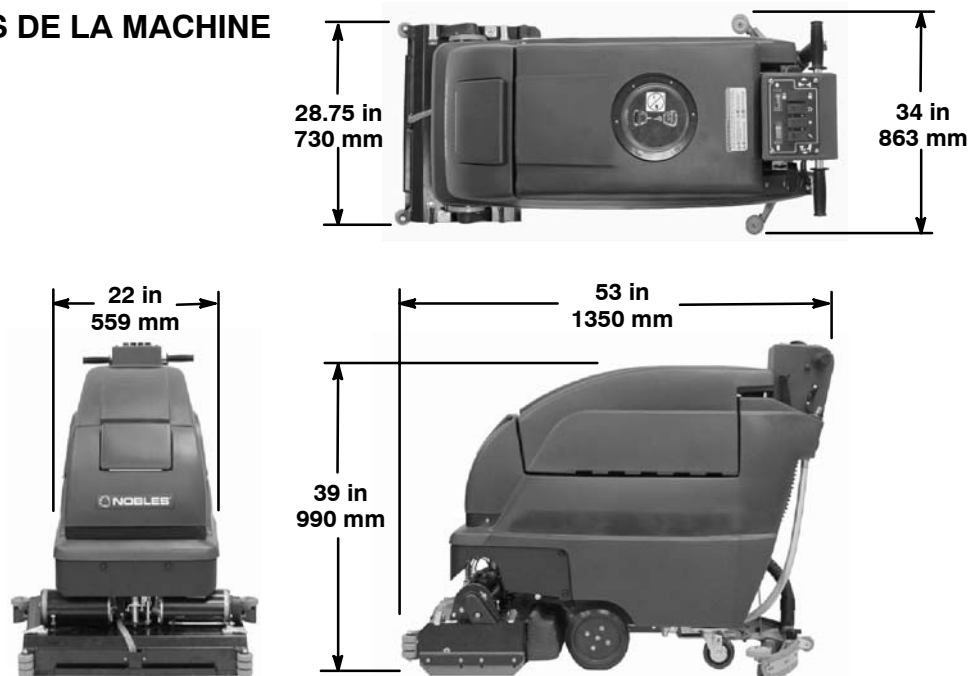
PROBLEME	CAUSE	SOLUTION
Débit de solution faible ou nul.	Soupape de distribution de la solution ou solénoïde est obstrué.	Enlevez la soupape ou le solénoïde et nettoyez-la/le. Veillez à ne pas érafler l'intérieur de la soupape.
	Bouton de distribution de la solution ou solénoïde défectueux.	Contactez le service de dépannage.
	Desserrez la vis de solution sur le bouton de solution	Calibrer le bouton et serrez la vis
Ramassage non satisfaisant de l'eau.	Réservoir de récupération est plein.	Videz le réservoir de récupération.
	Filtre du flotteur à l'intérieur du réservoir de récupération est obstrué.	Enlevez le filtre et nettoyez-le.
	Racloir obstrué.	Nettoyez le racloir.
	Lames de racloir usées.	Remplacez les lames de racloir.
	Vis papillons du racloir sont desserrées.	Resserrez les vis papillons.
	Raccords du tuyau d'aspiration sont détachés ou tuyau est percé.	Enfoncez bien les extrémités du tuyau dans les raccords. Remplacez le tuyau s'il est endommagé.
	Tuyau d'aspiration obstrué.	Enlevez les débris responsables de l'obstruction.
	Trou d'alimentation du réservoir de récupération est obstrué.	Videz le réservoir de récupération et soulevez-le par le côté pour accéder au trou d'alimentation et enlevez les débris responsables de l'obstruction.
	Joint d'étanchéité du réservoir défectueux.	Remplacez le joint.
	Bouchon du tuyau de vidange desserré.	Resserrez le bouchon du tuyau de vidange.
	Couvercle du réservoir de récupération desserré.	Resserrez couvercle.
	Moteur de l'extracteur desserré.	Contactez le service de dépannage.
Brève durée de fonctionnement.	Niveau de charge des batteries est bas.	Rechargez les batteries. N'utilisez pas la machine quand l'aiguille de l'appareil de mesure de la charge des batteries se trouve dans la zone rouge.
	Batteries ne sont pas complètement chargées.	Rechargez les batteries.
	Élément défectueux dans une ou plusieurs batteries.	Remplacez batterie(s).
	Batteries doivent être entretenues.	Voir ENTRETIEN DES BATTERIES.
Les lumières de sûreté ne fonctionnent pas.	Chargeur défectueux.	Remplacez le chargeur de batterie.
	Le clignoteur est grillé.	Contactez le service de dépannage.

SPECIFICATIONS

MODELE	SPEED SCRUB 2601
LONGUEUR	53 in / 1350 mm
LARGEUR	28.75 in / 730 mm
HAUTEUR	39 in / 990 mm
POIDS	335 lb / 152 kg 560 lb / 254 kg avec batteries
CAPACITE RESERVOIR SOL./REC.	17 Gal / 64 L
COMMANDE DE LA VITESSE	Variable marche avant Unique marche arrière
VITESSE DE NETTOYAGE (MAX)	250 ft / 76.2 m ² par minute
LARGEUR DE LA TRACE DE NETTOYAGE	26 in / 660 mm
DIAMETRE DE BROSSSE	2 - 6 in / 152 mm
PRESSION DE BROSSSE	Variable 0- 90 lb / 0-41 kg
LARGEUR DU RACLOIR	33 in / 839 mm
SYSTEME D'ENTRAINEMENT	Pont arrière, .2 h.p., 24V
MOTEUR DE BROSSSE	2 - .75 h.p., 1500 rpm, 24V, 23A, 550W
MOTEUR DE L'EXTRACTEUR	.75 h.p., 3-étages 5.7, 24V, 21A, 550W
HAUTEUR D'ASPIRATION	68 in / 1727 mm / 69cfm (2m ³) par minute
BATTERIES	2-12V, 215AH
CONSOMMATION TOTALE DE PUISSANCE	24V, 53 AMP Nominal
DUREE DE FONCTIONNEMENT PAR CHARGE	Jusqu'à 4 3/4 heures (3 heures employer la pression maximum de brosse)
NIVEAU SONORE AU NIVEAU DE L'OREILLE DE L'OPERATEUR, A L'INTERIEUR SUR DU CARRELAGE	75 dBA

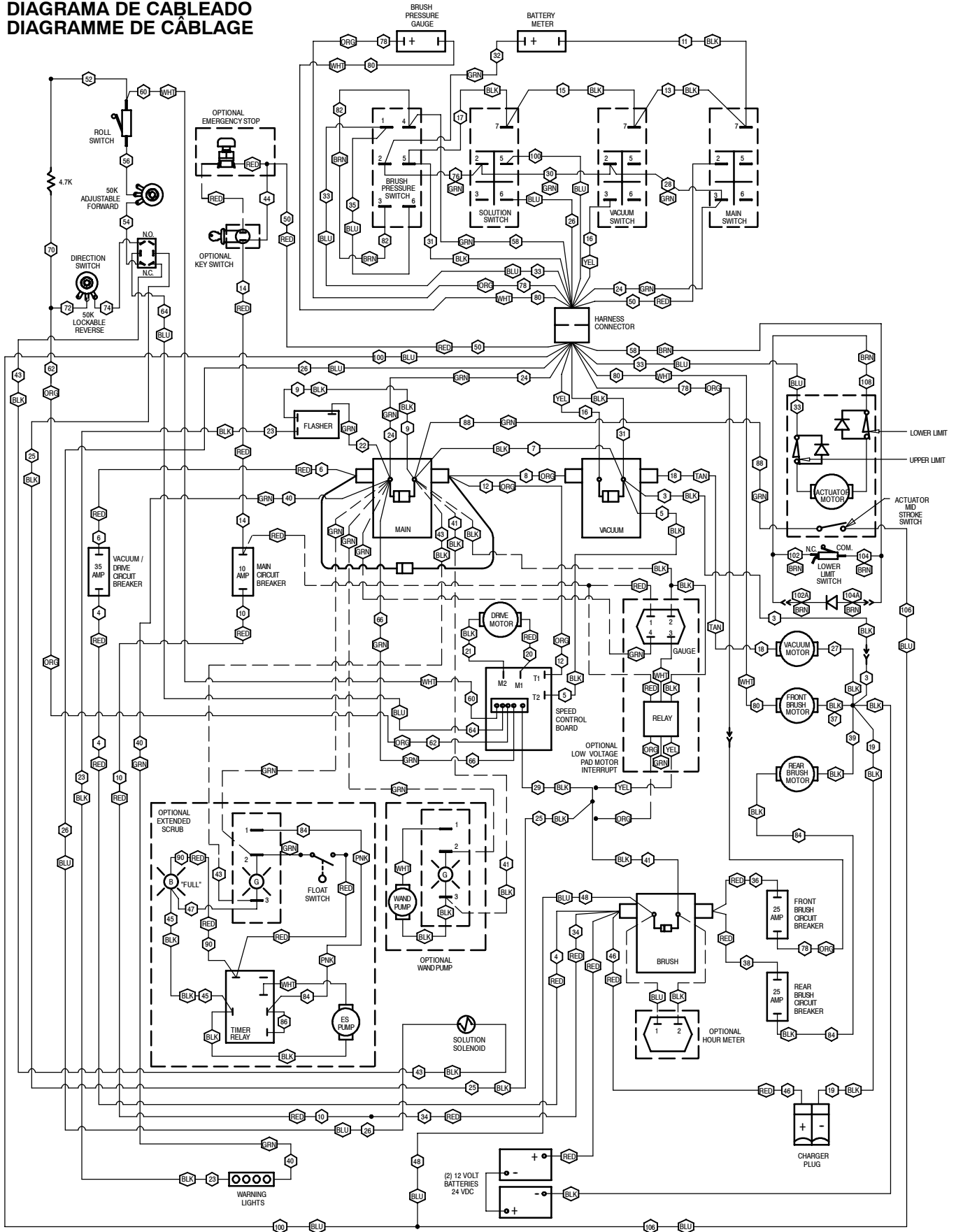
Les spécifications et les pièces sont susceptibles d'être modifiées sans avis préalable.

DIMENSIONS DE LA MACHINE



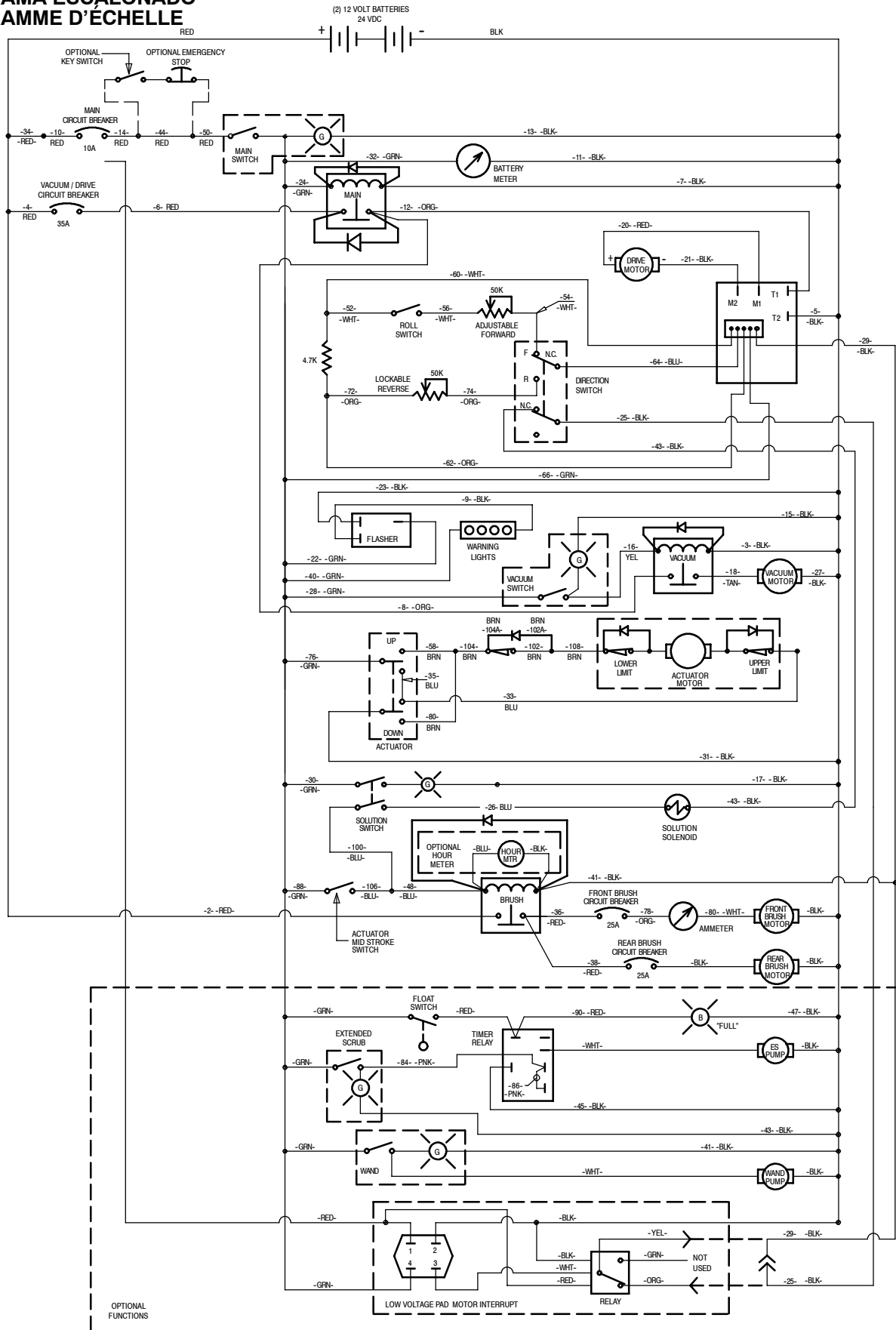
ELECTRICAL DIAGRAMS - DIAGRAMAS ELECTRICAS - SYSTEM ÉLECTRIQUE

WIRING DIAGRAM DIAGRAMA DE CABLEADO DIAGRAMME DE CÂBLAGE



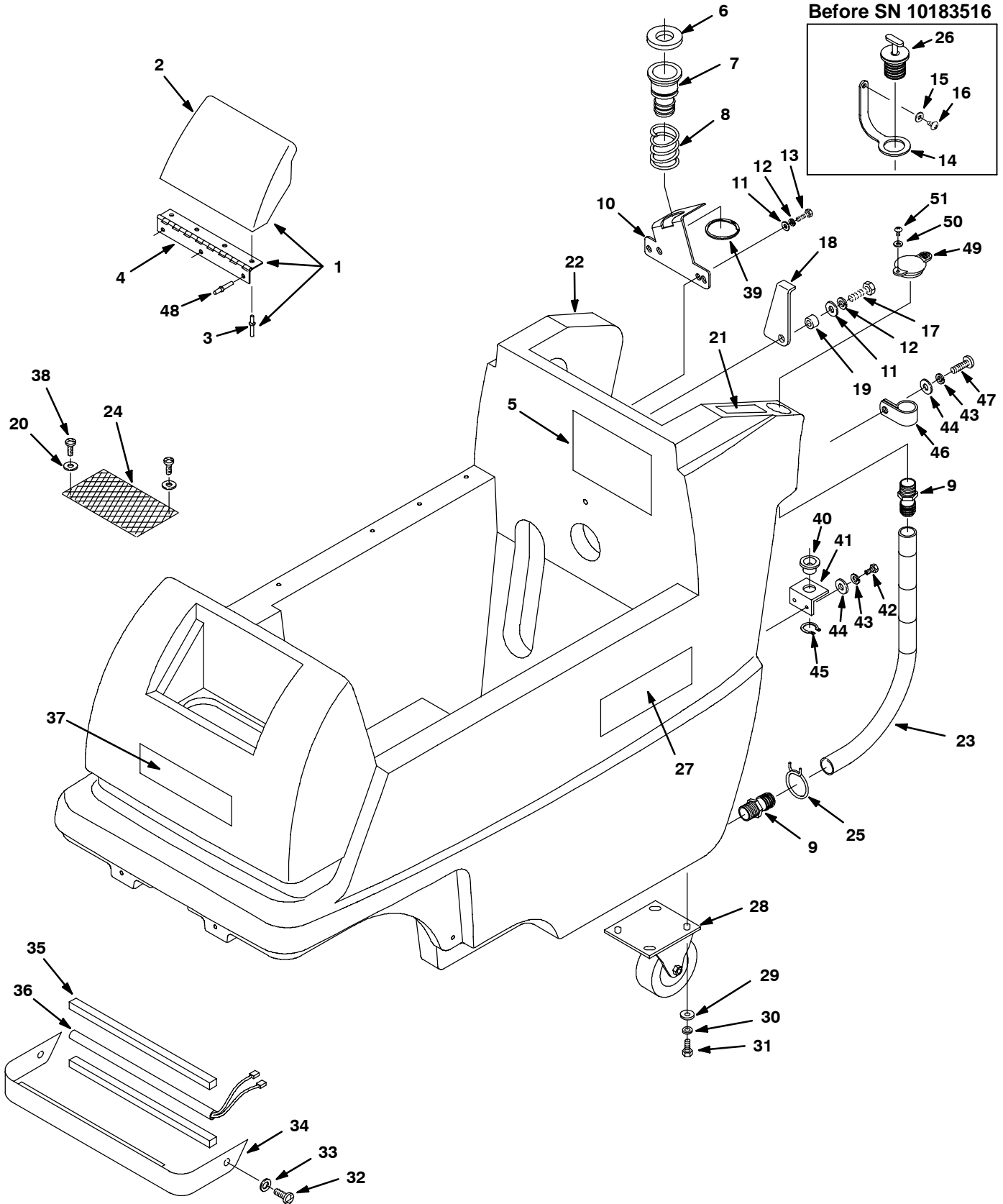
ELECTRICAL DIAGRAMS - DIAGRAMAS ELECTRICAS - SYSTEM ÉLECTRIQUE

LADDER DIAGRAM DIAGRAMA ESCALONADO DIAGRAMME D'ÉCHELLE



PARTS LIST - LISTA DE PIEZAS - LISTE DES PIÈCES

SOLUTION TANK GROUP / GRUPE DEL DEPÓSITO DE DISOLUCIÓN / ENSEMBLE DU RÉSERVOIR DE SOLUTION



PARTS LIST - LISTA DE PIEZAS - LISTE DES PIÈCES

SOLUTION TANK GROUP / GRUPE DEL DEPÓSITO DE DISOLUCIÓN / ENSEMBLE DU RÉSERVOIR DE SOLUTION

REF	PART #	DESCRIPTION	QTY.
▽ 1	608518	ASM., SOL. TANK COVER GREEN	1
▲ 2	612518	COVER, TANK GREEN	1
▲ 3	140706	RIVET, POP	4
▲ 4	611068	HINGE, COVER	1
5	603233	LABEL, BATTERY RECHARGE	1
6	630010	●GASKET, TUBE ADAPTER	1
7	630011	TUBE, VAC	1
8	630267	SPRING, TUBE ADAPTER	1
9	150529	HOSE BARB	2
10	608706	BRACKET, VAC TUBE	1
11	140027	WASHER, 5/16 FLAT	3
12	140015	WASHER, 5/16 LOCK	3
13	16931	SCREW, HEX, M8X1.25X20, 8.8	2
14	600476	●STRAP, PLUG REAR FILL	1
15	140011	WASHER, 3/16 FLAT	1
16	140350	SCREW, #10X1/2 PANPHL	1
17	16931	SCREW, HEX, M8X1.25X20, 8.8	1
18	230925	SUPPORT, RECOVERY TANK	1
19	611418	BUSHING	1
20	140032	WASHER, #6 FLAT	2
21	600650	LABEL, SQUEEGEE LEVER CE	1
22	613889	TANK, SOLUTION GREEN	1
23	607983	ASM., DRAIN HOSE W/LEVEL IND.	1
24	602529	●SCREEN, FILL	1

▽ ASSEMBLY / CONJUNTO

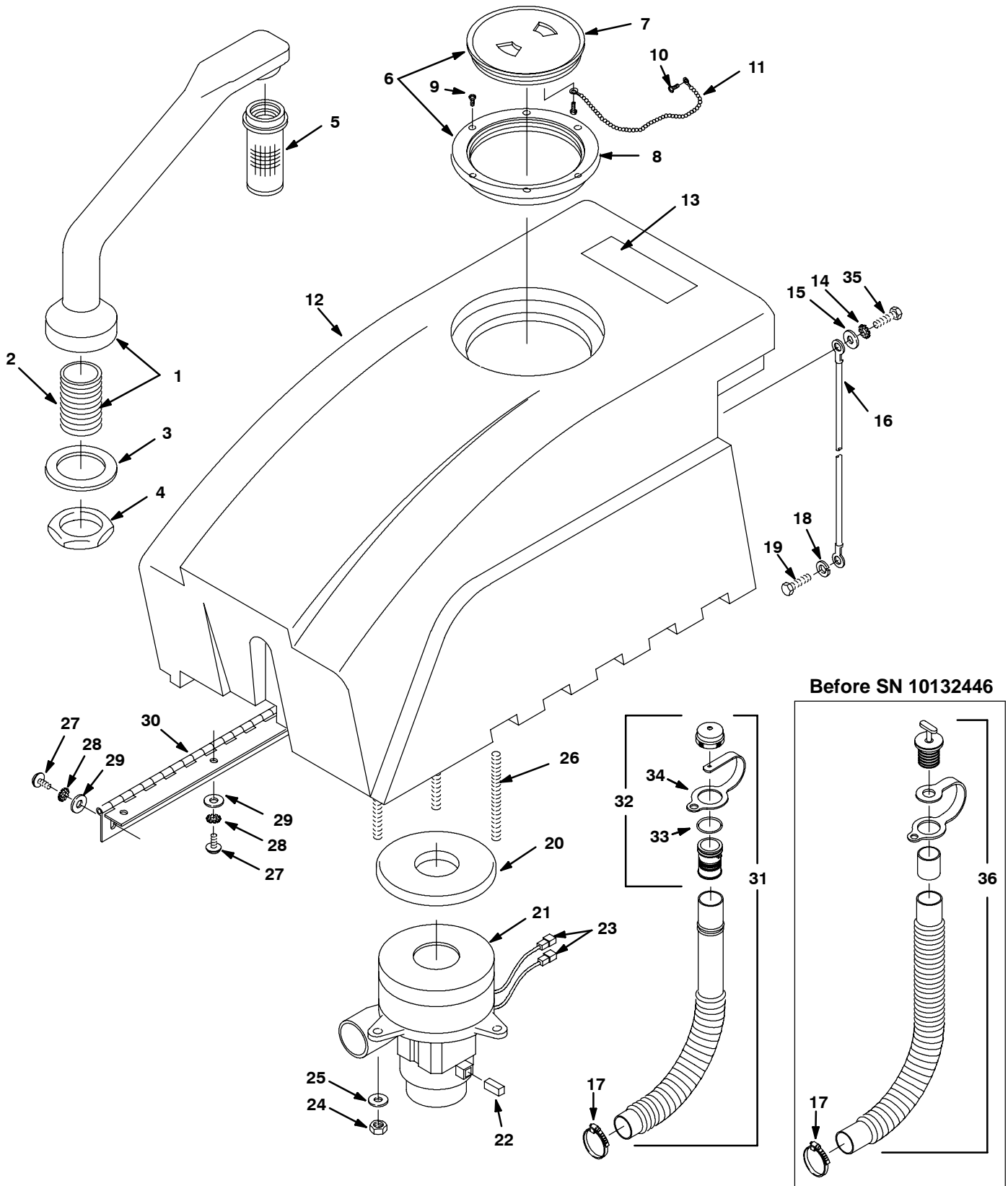
▲ INCLUDED IN ASSEMBLY / INCLUIDO EN EL CONJUNTO

● RECOMMENDED STOCK ITEMS / ARTICULOS RECOMENDADOS PARA
MANTENER EN EXISTENCIA

REF	PART #	DESCRIPTION	QTY.
25	608915	CLAMP, HOSE 2-WIRE	1
26	621324	●PLUG, EXPANSION	1
27	608449	LABEL, "SPEED SCRUB 2601"	2
28	1029695	●CASTER, 4.0D X 1.38W	2
29	140027	WASHER, 5/16" FLAT	8
30	140015	WASHER, 5/16" LOCK	8
31	578237000	SCREW, M8X1.25X18 HXHDCP	8
32	1026454	SCREW, PAN, M5X0.8X10 PHL, SS	2
33	140018	WASHER, #10 LOCK	2
34	612765	SHIELD, LIGHT	1
35	605324	GASKET, 1/2"X1.34"	2
36	1024583	LIGHT, SAFETY, 12"	1
37	608184	LABEL, NOBLES LOGO	1
38	3701.6	SCREW, #6X3/8 PANPHL	2
39	630016	RING, RETAINING	1
40	1009363	BUSHING, CABLE	1
41	630157	BRACKET, CABLE GUIDE	1
42	200031432	SCREW, M6X1.0X10 HXHDCP	2
43	200655017	WASHER, M6 LOCK	3
44	140000	WASHER, 1/4 FLAT	3
45	621236	RING, RETAINING	1
46	140314	CLAMP, CABLE	1
47	608322	SCREW, M6X1.0X16 TRSPHL	1
48	140706	RIVET, POP	3
49	1012965	●CAP, PORT, SOLUTION FILL	1
50	01683	WASHER, FLAT, #10 SS	1
51	1018155	SCREW, PAN, M4.8X16 SS TCUT	1

PARTS LIST - LISTA DE PIEZAS - LISTE DES PIÈCES

RECOVERY TANK GROUP / CONJ. DESPOSITO RECUPERAR / GROUPE RESERVOIR DE RECUPERATION



PARTS LIST - LISTA DE PIEZAS - LISTE DES PIÈCES

RECOVERY TANK GROUP / CONJ. DESPOSITO RECUPERAR / GROUPE RESERVOIR DE RECUPERATION

REF	PART #	DESCRIPTION	QTY.
▽ 1	701103	ASM., STANDPIPE	1
▲ 2	606088	FITTING, NIPPLE	1
3	101714	●GASKET	1
4	210240	NUT, FLANGED	1
5	180613	●FLOAT, SHUT-OFF	1
▽ 6	100102	●ASM., LID CLEAR W/STD HOLE	1
▲ 7	100105	●LID, CENTER CLEAR ONLY	1
▲ 8	100109	●LID, OUTER RING ONLY	1
9	140826	SCREW, #6X3/4 PANPHL	6
10	3701.6	SCREW, #6X3/8 PANPHL	2
11	230513	CHAIN	1
▽ 12	613721	ASM., REC TANK W/LABEL GREEN	1
▲ 13	1026386	LABEL, WARNING, (EXPL,FIRE,SHK EN/FR/ES)	1
14	140052	WASHER, 1/4 LOCK	1
15	140000	WASHER, 1/4 FLAT	1
16	140960	●CABLE	1
17	140308	CLAMP	1

▽ ASSEMBLY / CONJUNTO

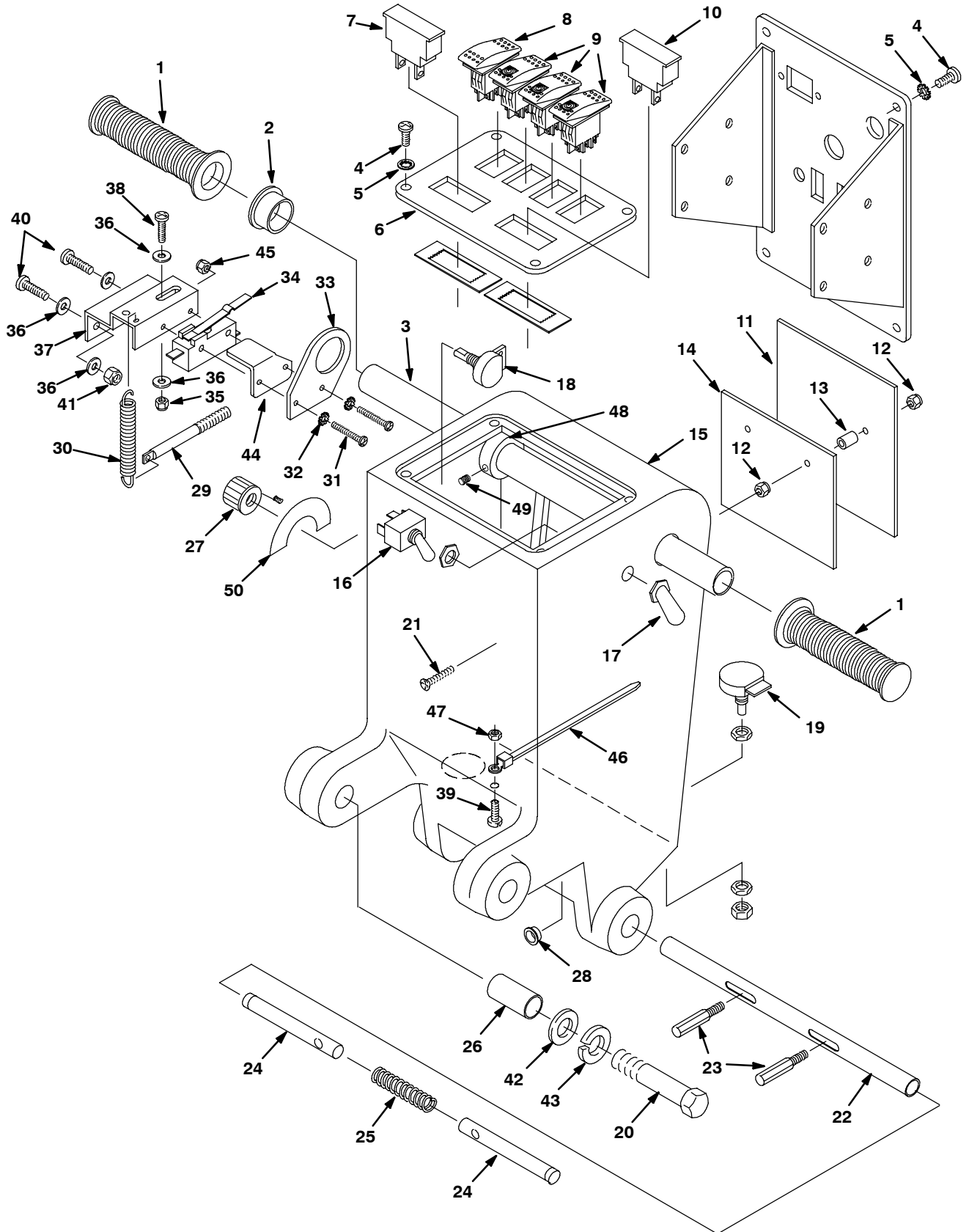
▲ INCLUDED IN ASSEMBLY / INCLUIDO EN EL CONJUNTO

● RECOMMENDED STOCK ITEMS / ARTICULOS RECOMENDADOS PARA MANTENER EN EXISTENCIA

REF	PART #	DESCRIPTION	QTY.
18	140015	WASHER, 5/16 LOCK	1
19	16931	SCREW, HEX, M8X1.25X20, 8.8	1
20	626092	●GASKET, VACFAN	1
▽ 21	130477	●MOTOR, VAC 5.7/3 STG 24 VDC	1
▲ 22	190163	●CARBON BRSH W/HOLDER 2/PK	2
23	130096	TERMINAL, MALE DISCONNECT	2
24	08712	NUT, M6 NYLOCK	3
25	140000	WASHER, 1/4 FLAT	3
26	140353	STUD, M6X1.0X108	3
27	363503	SCREW, M06X1.0X12 PANPHL	11
28	140052	WASHER, 1/4 LOCK	11
29	140000	WASHER, 1/4 FLAT	11
30	600311	●HINGE, RECOVERY TANK	1
▽ 31	1010143	●HOSE, DRAIN ASSEMBLY, 31.2"	1
▲▽ 32	1008639	●CAP, DRAIN ASSEMBLY	1
▲ 33	1008637	●O RING, 1.48"ID, 1.76"OD	1
▲ 34	1019563	●STRAP, DRAIN CAP	1
35	363503	SCREW, PAN, M6X1.0X12 SS	1
36	N/A	DRAIN HOSE / PLUG ASSEMBLY - REPLACED BY ASSEM. ITEM #31	1

PARTS LIST - LISTA DE PIEZAS - LISTE DES PIÈCES

CONTROL CONSOLE GROUP / CONJUNTO CONSOLA DE CONTROLES / GROUPE TABLEAU DE COMMANDE



PARTS LIST - LISTA DE PIEZAS - LISTE DES PIÈCES

CONTROL CONSOLE GROUP / CONJUNTO CONSOLA DE CONTROLES / GROUPE TABLEAU DE COMMANDE

REF	PART #	DESCRIPTION	QTY.
1	200823	●GRIP, HANDLE TUBE	2
2	605351	BUSHING	1
3	604402	HANDLE, TUBE	1
4	1026454	SCREW, PAN, M5X0.8X10 PHL, SS	8
5	140018	WASHER, #10 LOCK	8
▽	613596	ASM., SWITCH PANEL	1
▲ 6	1006011	PANEL, SWITCH	1
▲ 7	1005931	●GAUGE, BRUSH PRESSURE	1
▲ 8	603399	●SWITCH, ROCKER	1
▲ 9	601107	●SWITCH, LIGHTED ROCKER	3
▲ 10	606020AM	●METER, BATTERY VOLTAGE 24V	1
▲ N/S	613569	HARNES, MAIN/SWITCH/ CONSOLE	1
11	630104	●SPEED CONTROL, PMB 55 AMP	1
12	02850	NUT, M4 HXLCK	4
13	630261	SPACER	2
14	630128	HEATSINK, ALLUM.	1
15	608299	HOUSING, CONTROL GREEN	1
16	1006258	●SWITCH, TOGGLE	1
17	130753	●BOOT, SWITCH	1
▽ N/S	602873	HARNES, CONSOLE W/POT.	1
▲ 18	130776	●POTENTIOMETER, 50K	1
▲ 19	130775	●POTENTIOMETER, 50K LOCKABLE	1
20	140351	SCREW, M12X1.75X70 HXHDCP	2
21	630304	SCREW, M4X.7X35 FLTPHL	2
22	230715	TUBE, HANDLE ADJUSTMENT	1
23	230649	PIN, HANDLE ADJUSTMENT	2
24	230710	PIN, HANDLE LOCK	2

REF	PART #	DESCRIPTION	QTY.
25	140415	SPRING, LOCK PIN	1
26	140155	BUSHING	2
27	606550	●KNOB, SPEED CONTROL	1
28	603007	BUSHING, SNAP	1
29	602886	PIN, SPRING RETURN	1
30	605812	SPRING, EXTENSION	1
31	140829	SCREW, #6-32X1 PANPHL	2
32	140019	WASHER, #6 LOCK	2
33	27098	BRACKET, SWITCH	1
34	614003	●SWITCH, SNAP ACTION W/ BUMP	1
35	140552	NUT, #10-24 NYLOCK	1
36	140000	WASHER, 1/4 FLAT	6
37	25671	MOUNT, SWITCH	1
38	140890	SCREW, #10-24X1/2 TRSPHL	1
39	140900	SCREW, #10-24X3/4 TRSPHL	1
40	608322	SCREW, M6X1.0X16 TRSPHL	2
41	08712	NUT, M6 NYLOCK	2
42	140045	WASHER, 1/2 FLAT	2
43	140024	WASHER, 1/2 LOCK	2
44	603830	PLATE, GUARD SWITCH	1
45	140540	NUT, #6-32 HEX	2
46	630343	CLAMP, CABLE	1
47	140552	NUT, #10-24 NYLOCK	1
48	605094	COLLAR, HANDLE	2
49	140859	SCREW, 1/4-20X1/4 SK CUP	2
50	606549	LABEL, SPEED CONTROL	1
N/S	222290	DIODE, ELEC. PLUG	1

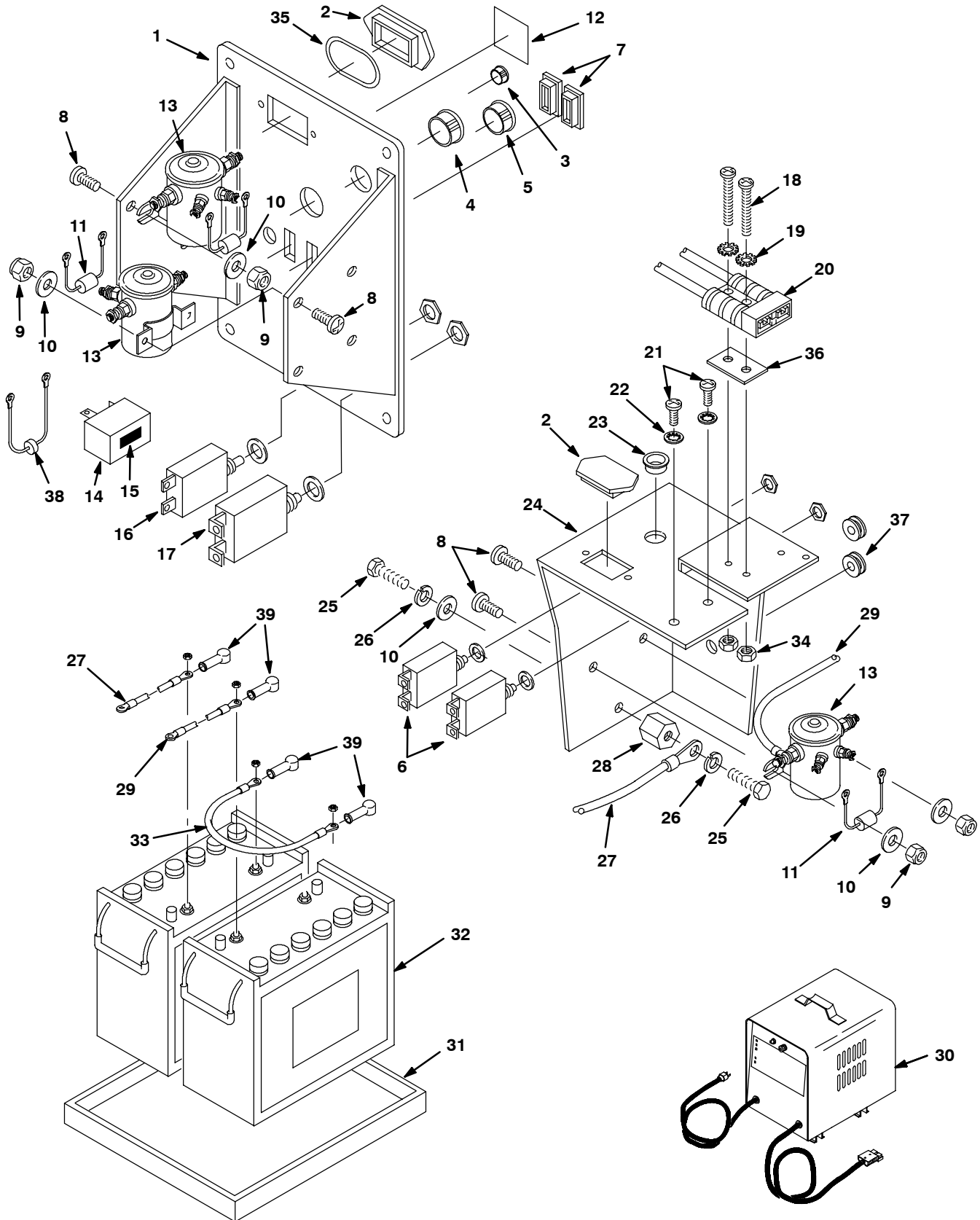
▽ ASSEMBLY / CONJUNTO

▲ INCLUDED IN ASSEMBLY / INCLUIDO EN EL CONJUNTO

● RECOMMENDED STOCK ITEMS / ARTICULOS RECOMENDADOS PARA
MANTENER EN EXISTENCIA

PARTS LIST - LISTA DE PIEZAS - LISTE DES PIÈCES

ELECTRICAL - BATTERY GROUP / GRUPO DEL ELÉCTRICO - BATERÍA / ÉLECTRIQUE - GROUPE DE BATTERIE



PARTS LIST - LISTA DE PIEZAS - LISTE DES PIÈCES

ELECTRICAL - BATTERY GROUP / GRUPO DEL ELÉCTRICO - BATERÍA / ÉLECTRIQUE - GROUPE DE BATTERIE

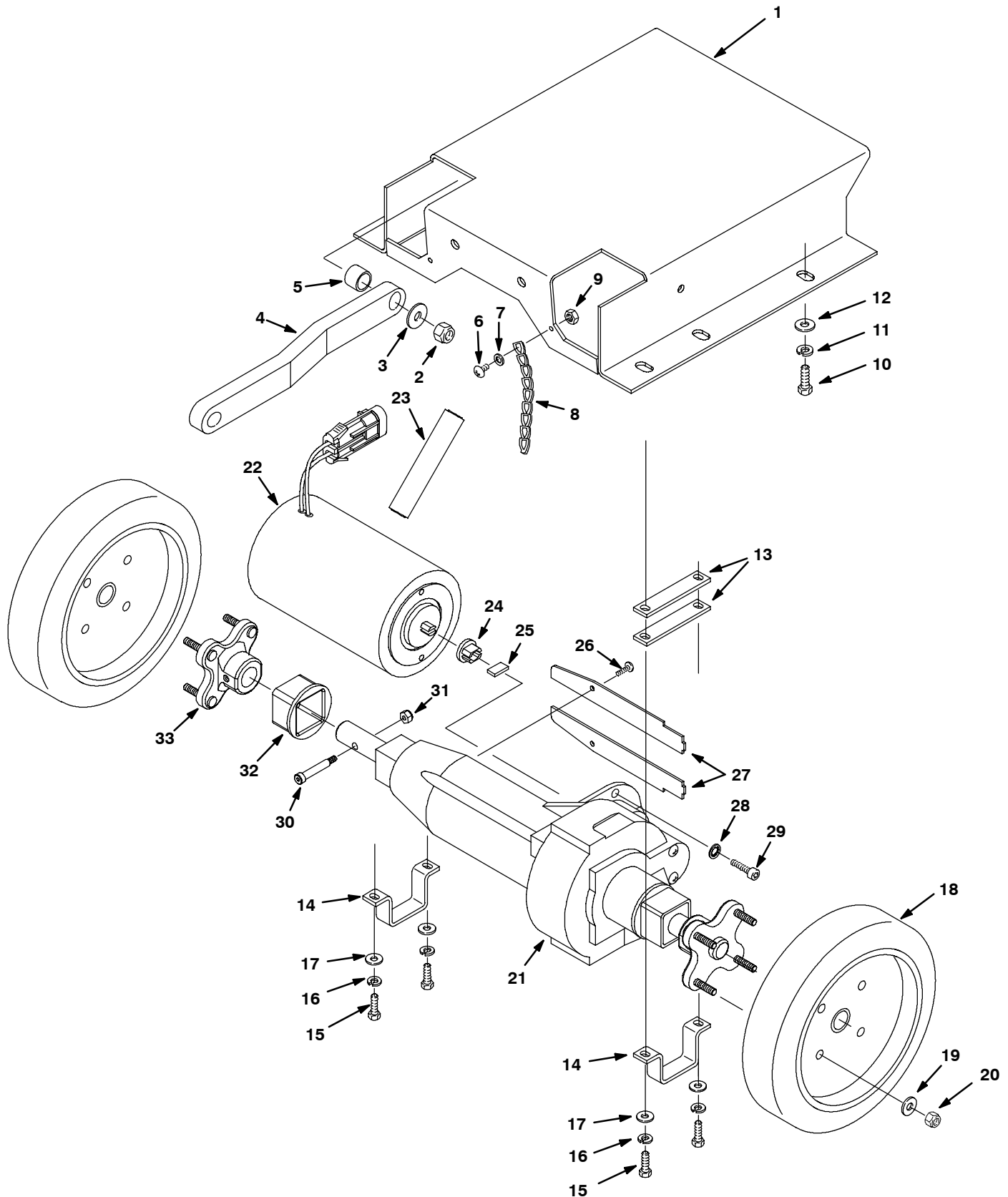
REF	PART #	DESCRIPTION	QTY.
1	613030	PANEL, CONTROL HOUSING	1
2	609969	●PLUG, HOUR METER	2
3	069764626	●PLUG, HOLE 012.7	1
4	130161	●PLUG, DOME .850	1
5	130175	●PLUG, DOME .750	1
6	1006264	●BREAKER, CIRCUIT 25AMP	2
7	582150	●PLUG, ACCESSORY SWITCH	2
8	608322	SCREW, M6X1.0X16 TRSPHL	6
9	08712	NUT, M6 NYLOCK	6
10	140000	WASHER, 1/4 FLAT	7
11	606404	●ASM., DIODE W/RING TERM.	3
12	606105	LABEL, DO NOT SPRAY	1
13	605905AM	●SOLENOID, 24V	3
14	130021	●FLASHER, 24VDC	1
15	606243	TAPE, ACRYLIC 1"X.083"	1
16	130737AM	●BREAKER, CIRCUIT BRSH 10AMP	1
17	602951AM	●BREAKER, CIRCUIT 35 AMP	1
18	140829	SCREW, #6-32X1 PANPHL	2
19	140019	WASHER, #6 LOCK	2
20	605387	●CONNECTOR, 50A W/O CNTCTS	1

REF	PART #	DESCRIPTION	QTY.
21	1026454	SCREW, PAN, M5X0.8X10 PHL, SS	2
22	140018	WASHER, #10 INT. LOCK	2
23	130698	BUSHING, SNAP	1
24	602887	BRACKET	1
25	01696	SCREW, 1/4-20X1/2 HXHDCP	2
26	200655017	WASHER, M6 LOCK	2
27	602871	CABLE, BATTERY #6 BLACKX20"	1
28	76062	●STANDOFF	1
29	602872	CABLE, BATTERY #6 REDX28"	1
30	603235	CHARGER, 24DC 20 AMP	1
31	601991	TRAY, BATTERY	1
32	600394	BATTERY, 12V 215A	2
33	130364	●CABLE, BATTERY #6 BLACKX15"	1
34	140539	NUT, #6-32 KEP	2
35	605823	●O-RING .929 ID X .996 OD	1
36	603331	SPACER, CHARGER PLUG	1
37	578009000	GROMMET	2
38	604486	ASM., DIODE SPLICED	1
39	611221	BOOT, BATTERY CABLE BLK	4

● RECOMMENDED STOCK ITEMS / ARTICULOS RECOMENDADOS PARA
MANTENER EN EXISTENCIA

PARTS LIST - LISTA DE PIEZAS - LISTE DES PIÈCES

DRIVE GROUP / GRUPO DE TRANSMISIÓN / GROUPE D'ENTRAÎNEMENT



PARTS LIST - LISTA DE PIEZAS - LISTE DES PIÈCES

DRIVE GROUP / GRUPO DE TRANSMISIÓN / GROUPE D'ENTRAÎNEMENT

REF	PART #	DESCRIPTION	QTY.
1	1002604	PLATE, BASE TRANSAXLE	1
2	08713	NUT, M8 HXLCK	2
3	32491	WASHER, 5/16 FLAT	2
4	222027	ARM, HEAD LIFT	2
5	606056	SLEEVE, HEAD ARM	2
6	140287	SCREW, M4X.7X16 PANPHL	2
7	200301014	WASHER, M4 FLAT	2
8	605950	CHAIN, LINK 8"	2
9	02850	NUT, M4 HXLCK	2
10	09291	SCREW, M10X1.5X20 HXHDCP	2
11	140333	WASHER, M10 LOCK	2
12	140028	WASHER, 3/8 FLAT	2
13	612783	SPACER, AXLE	4
14	612784	BRACKET, TRANSAXLE MOUNT	2
15	612255000	SCREW, M10X1.5X35 HXHDCP	4
16	140333	WASHER, M10 SPLIT LOCK	4
17	140028	WASHER, 3/8 FLAT	4
18	613026	●WHEEL, NEOPRENE, SOLID	2
	630215	●WHEEL, PNEUMATIC, AIR	2
	600352	●WHEEL, FOAM FILLED	2
	604357	●KIT, PNEUMATIC WHEEL, AIR	1
	604259	●KIT, WHEEL FOAM FILLED	1

REF	PART #	DESCRIPTION	QTY.
19	140000	WASHER, 1/4 FLAT	8
20	41169	NUT, 1/4-20 HXLCK SS	8
▽	1013312	TRANSAXLE, 24V MOTOR 116 RPM	1
▲ 21	612873	TRANSAXLE, REPLMT, BODY ONLY	1
▲ 22	614165	MOTOR, ELE, 24VDC TRANSAXLE REPLMT	1
▲ 23	614166	●KIT, BRUSH, CARBON QTY(4) (After SN 10169615 - For Motor #614165)	1
	612883	●KIT, BRUSH, CARBON QTY(2) (Before SN 10169615 - For Motor #612877)	1
▲ 24	612874	COUPLING, TRANSAXLE REPLMT	1
▲ 25	612875	KEY, SPECIAL, TRANSAXLE REPLMT	1
▲ 26	577031000	SCREW, #8X1/2 PAN PHL ZN	2
▲ 27	N/A	COVER, SHAFT	2
▲ 28	32982	WASHER, LOCK, INT, 0.25	2
▲ 29	33951	SCREW, SOC, M6 X 1.0 X 20, 12.9	2
▲ 30	31249	BOLT, SHLD, .25DX1.25, #10-24	2
▲ 31	140552	NUT, HEX LOCK, #10-24 NL SS	2
▲ 32	612880	SLEEVE, TRANSAXLE REPLMT	2
▲ 33	612879	HUB, WHEEL TRANSAXLE REPLMT	2

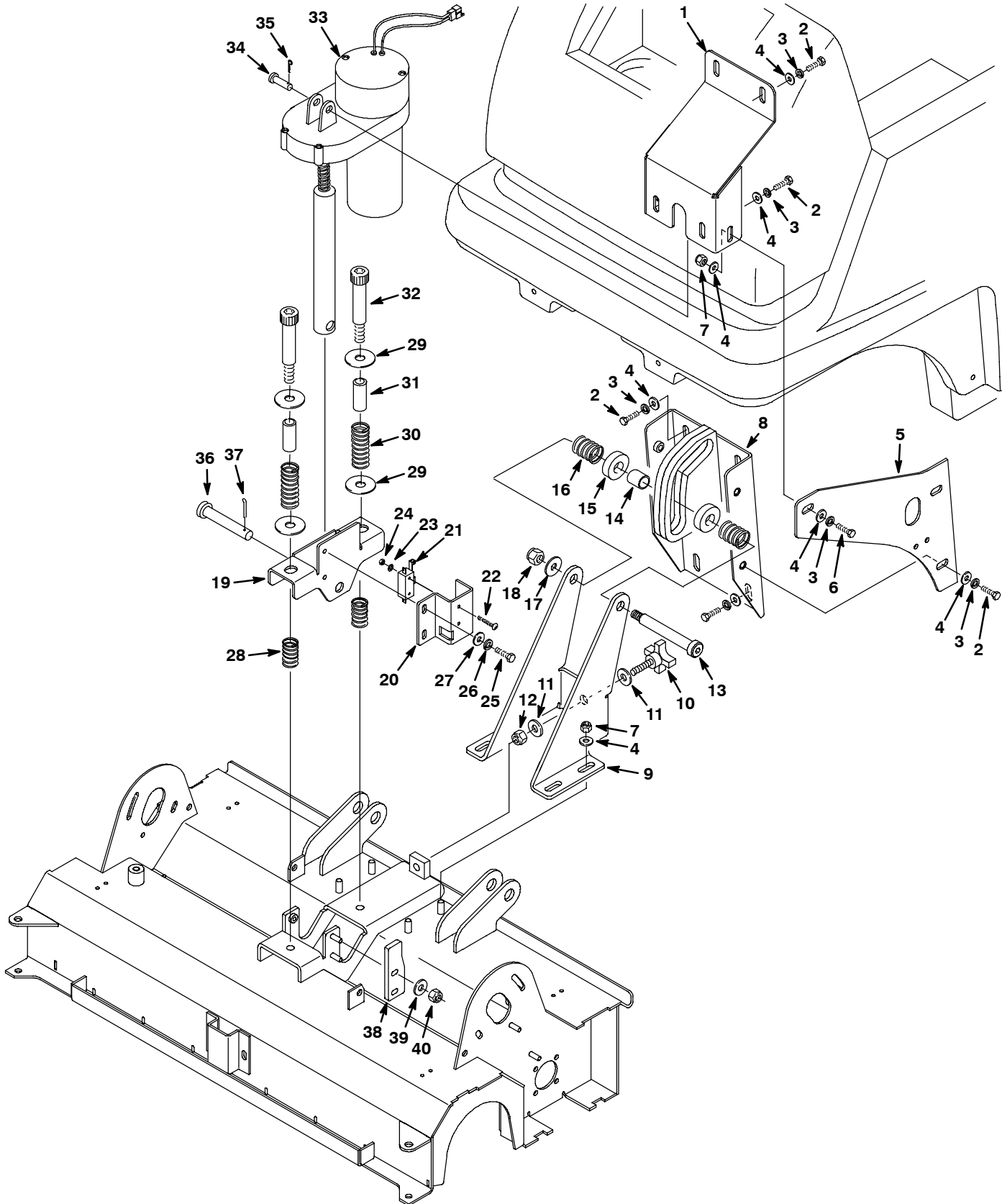
▽ ASSEMBLY / CONJUNTO

▲ INCLUDED IN ASSEMBLY / INCLUIDO EN EL CONJUNTO

● RECOMMENDED STOCK ITEMS / ARTICULOS RECOMENDADOS PARA MANTENER EN EXISTENCIA

PARTS LIST - LISTA DE PIEZAS - LISTE DES PIÈCES

SCRUB HEAD ACTUATOR GROUP / GRUPO DEL ACTUADOR DEL CABEZAL DE FREGADO / GROUPE VERIN DE TETE DE BROSSAGE



PARTS LIST - LISTA DE PIEZAS - LISTE DES PIÈCES

SCRUB HEAD ACTUATOR GROUP / GRUPO DEL ACTUADOR DEL CABEZAL DE FREGADO / GROUPE VERIN DE TETE DE BROSSAGE

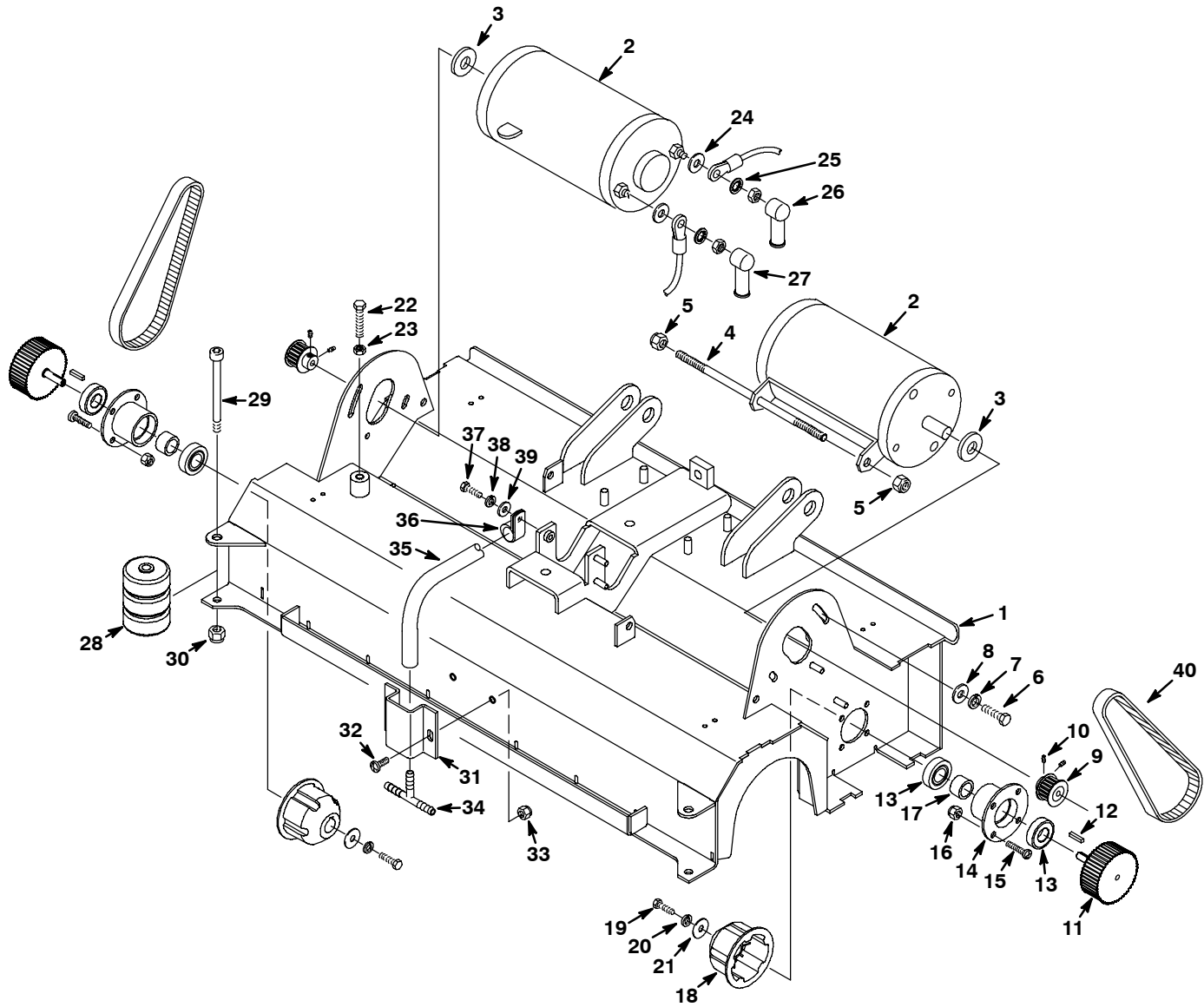
REF	PART #	DESCRIPTION	QTY.
1	1002593	BRACKET, ACTUATOR	1
2	578237000	SCREW, M8X1.25X18 HXHDCP	12
3	140015	WASHER, 5/16 LOCK	14
4	140027	WASHER, 5/16 FLAT	20
5	1002594	BRACE, TANK	2
6	16931	SCREW, HEX, M8X1.25X20, 8.8	2
7	08713	NUT, M8 NYLCK	6
8	1002592	BRACKET, TRACK, ROLLER	1
9	1002886	BRACKET, ROLLER MTG.	1
10	630046	KNOB	1
11	573047000	WASHER, .39ID X .75OD	2
12	50269	NUT, 3/8-24 HXLCK	1
13	1006263	●BOLT, SHLDR, 3/8-16 X 3.25	1
14	608198	●ROLLER, LINKAGE	1
15	607568	●WASHER, THRUST, 1-1/2 OD	2
16	607920	●SPRING, .72 OD X 1.00 LG	2
17	140046	WASHER, .392ID X 1.00OD	1
18	59156	NUT, 3/8-16 HXLCK	1
19	1002614	BRACKET, SPRING	1
20	1005310	BRACKET, MOUNT, SWITCH	1

REF	PART #	DESCRIPTION	QTY.
21	1020061	●SWITCH, SNAP, 25A 125/250VAC	1
22	140829	SCREW, #6-32X1 PANPHL	2
23	140032	WASHER, #6 FLAT	2
24	140539	NUT, #6-32 KEP	2
25	15678	SCREW, M6 X 1 X 16 HXHDCP	2
26	200655017	WASHER, M6 LOCK	2
27	01684	WASHER, FLAT, 0.25, SS	2
28	63185	●SPRING, .84 OD X 2.0 LG	2
29	32486	WASHER, .50 FLAT	4
30	45261	●SPRING, .97 OD X 2.5 LG	2
31	609765	SLEEVE, .50 ID X .63 OD X 1.31 LG	2
32	45960	●SCREW, SHLDR 3/8-16 X 4.25	2
33	1002703	●ACTUATOR	1
34	29558	●PIN, CLEVIS 0.37D X 1.50L	1
35	140626	●PIN, HITCH	1
36	51534	●PIN, CLEVIS, 0.50D X 2.00L	1
37	578421	●PIN, COTTER	1
38	1005329	PLATE, TRIP, SWITCH	1
39	01684	WASHER, FLAT, 0.25, SS	2
40	08712	NUT, M6 NYLOCK	2

● RECOMMENDED STOCK ITEMS / ARTICULOS RECOMENDADOS PARA
MANTENER EN EXISTENCIA

PARTS LIST - LISTA DE PIEZAS - LISTE DES PIÈCES

SCRUB HEAD GROUP / GRUPO DE CABEZAL DE LIMPIEZA / GROUPE TÊTE DE BROSSAGE DISQUE SIMPLE



PARTS LIST - LISTA DE PIEZAS - LISTE DES PIÈCES

SCRUB HEAD GROUP / GRUPO DE CABEZAL DE LIMPIEZA / GROUPE TÊTE DE BROSSAGE DISQUE SIMPLE

REF	PART #	DESCRIPTION	QTY.
▽	1002724	HEAD ASSEMBLY, CYL. BRUSH	1
▲ 1	1001785	HOUSING, BRUSH WELDMENT	1
▲ 2	604980	●MOTOR, 24V, 1500 RPM, 23 AMP	2
	190152	●CARBON BRUSH (PKG OF 4)	2
▲ 3	20536-2	●WASHER, FLAT, 0.47B 1.19D .03	2
▲ 4	76490	ROD, THREADED, M8 X 1.3	2
▲ 5	08713	NUT, M8 NYLCK	4
▲ 6	15678	SCREW, M6 X 1 X 16 HXHD	4
▲ 7	200655017	WASHER, M6 LOCK	4
▲ 8	01684	WASHER, FLAT, 0.25, SS	4
▲ 9	375195	●SPROCKET, 22-TOOTH	2
▲ 10	222818	●SCREW, SET 8-32 X .25 NYLON	4
▲ 11	1006713	●SPROCKET, 48-TOOTH	2
▲ 12	00911	●KEY, SQUARE, .19 X .19 X .75 LG.	2
▲ 13	41360	●BEARING, BALL, 0.59B 1.26D 0.35W	4
▲ 14	1001792	HOUSING, BEARING	2
▲ 15	363503	SCREW, M6 X 1.0 X 12 PANHD	8
▲ 16	08712	NUT, M6 NYLOCK	8
▲ 17	1002077	SPACER, .594ID X .81OD X .5 LG	2
▲ 18	378805	PLUG, BRUSH DRIVE	2
▲ 19	15678	SCREW, M6 X 1 X 16 HXHD	2

REF	PART #	DESCRIPTION	QTY.
▲ 20	200655017	WASHER, M6 LOCK	2
▲ 21	01684	WASHER, FLAT, 0.25, SS	2
▲ 22	578717	SCREW, M8 X 1.25 X 50, HEXHD	2
▲ 23	07786	NUT, M8 HEX	2
24	140027	WASHER, 5/16 FLAT	4
25	200370019	WASHER, M8.4 LOCK	4
26	608963	BOOT, TERMINAL RED	2
27	608964	BOOT, TERMINAL BLACK	2
▲ 28	630477	●WHEEL, 2.0 DIA X .38	6
▲ 29	603144	BOLT, SHLDR, 5/16-18 X 3 LG.	2
▲ 30	140546	NUT, 5/16-18 NYLCK	2
▲ 31	1005496	BRACKET, MOUNT, FITTING	1
▲ 32	363503	SCREW, M6 X 1.0 X 12 PANHD	2
▲ 33	08712	NUT, M6 NYLOCK	2
▲ 34	222536	●FITTING, BM06/BM06/BM08 TEE	1
▲ 35	613531	●HOSE, PVC, CLR, 0.50ID 0.75OD 45.0L	1
▲ 36	140314	CLAMP, CABLE	1
▲ 37	15678	SCREW, M6 X 1 X 16 HXHD	1
▲ 38	200655017	WASHER, M6 LOCK	1
▲ 39	01684	WASHER, FLAT, 0.25, SS	1
▲ 40	377500	●BELT, SYNCHRONOUS	2

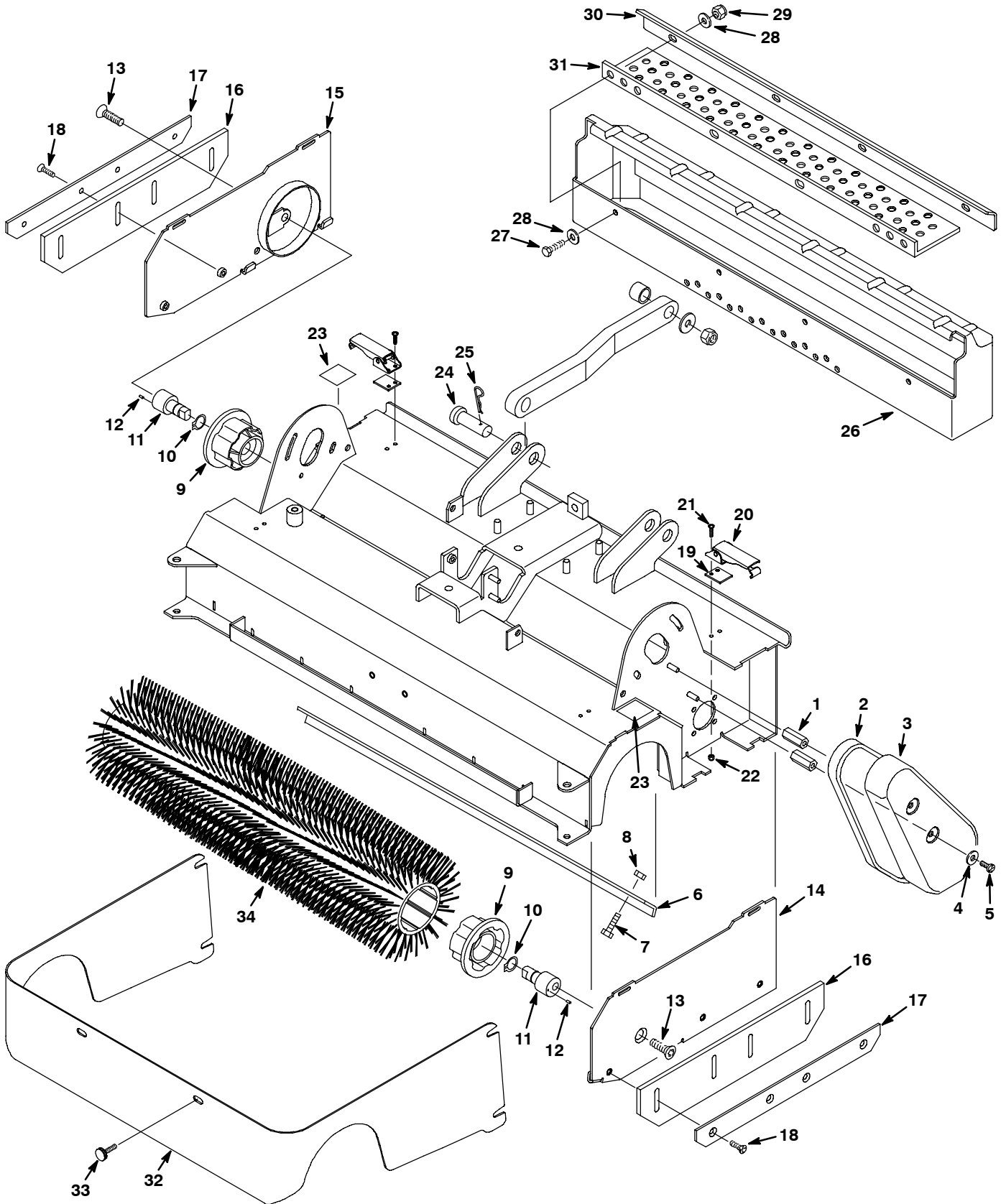
▽ ASSEMBLY / CONJUNTO

▲ INCLUDED IN ASSEMBLY / INCLUIDO EN EL CONJUNTO

● RECOMMENDED STOCK ITEMS / ARTICULOS RECOMENDADOS PARA MANTENER EN EXISTENCIA

PARTS LIST - LISTA DE PIEZAS - LISTE DES PIÈCES

SCRUB HEAD GROUP - CONTINUED. / GRUPO DE CABEZAL DE LIMPIEZA - CONTINUA / GROUPE TÊTE DE BROSSAGE DISQUE SIMPLE - CONTINUÉ



PARTS LIST - LISTA DE PIEZAS - LISTE DES PIÈCES

SCRUB HEAD GROUP - CONTINUED. / GRUPO DE CABEZAL DE LIMPIEZA - CONTINUA / GROUPE TÊTE DE BROSSAGE DISQUE SIMPLE - CONTINUÉ

REF	PART #	DESCRIPTION	QTY.
▽	1002724	HEAD ASSEMBLY, CYL. BRUSH, CONT.	1
▲ 1	1002078	SPACER, .50 HEX, 1.25 L, M6 THD.	4
▲ 2	1008675	GASKET, FOAM	2
▲ 3	1005478	COVER, BELT	2
▲ 4	01684	WASHER, FLAT, 0.25, SS	4
▲ 5	363503	SCREW, M6 X 1.0 X 12 PANHD	4
▲ 6	1008040	DEFLECTOR, DEBRIS	1
▲ 7	15678	SCREW, M6 X 1 X 16 HXHDCP	4
▲ 8	08712	NUT, M6 NYLOCK	4
▲ 9	379202	●PLUG, IDLER, BRUSH	2
▲ 10	01516	●RING, RETAINING	2
▲ 11	222177	SHAFT, IDLER PLUG	2
▲ 12	222184	●PIN, ROLL	2
▲ 13	390996	SCREW, M10 X 1.5 X 20 FLTHD	2
▲ 14	1001786	PLATE, IDLER, LEFT	1
▲ 15	1002096	PLATE, IDLER, RIGHT	1
▲ 16	1001789	●SKIRT, SIDE	2
▲ 17	1001790	RETAINER, SKIRT, SIDE	2
▲ 18	069762098	SCREW, M6 X 1.0 X 16 FLTPHL	8

REF	PART #	DESCRIPTION	QTY.
▲ 19	1007696	PLATE, SPACER, LATCH	4
▲ 20	1006086	●LATCH	4
▲ 21	579237	SCREW, M4 X .7 X 12	8
▲ 22	33932	NUT, HEX, LOCK, M4 X 0.7, NL	8
▲ 23	578769	LABEL, MOVING PARTS	2
24	222210	PIN, CLEVIS, .62D X 2.12L	2
25	02942	PIN, HAIR, COTTER, .62D X .12 WIRE	2
26	1002658	HOPPER, DEBRIS	1
27	15678	SCREW, M6 X 1 X 16 HXHDCP	4
28	140000	WASHER, 1/4 FLAT	8
29	08712	NUT, M6 NYLOCK	4
30	1005514	LIP, DEBRIS	1
31	222669	SKIRT	1
32	1005476	SHROUD, BRUSH	1
33	603012	●KNOB	6
34	399230	●BRUSH, POLY	2
	399229	●BRUSH, SOFT NYLON	2
	399231	●BRUSH, HEAVY DUTY POLY	2
	399232	●BRUSH, ABRASIVE GRIT	2

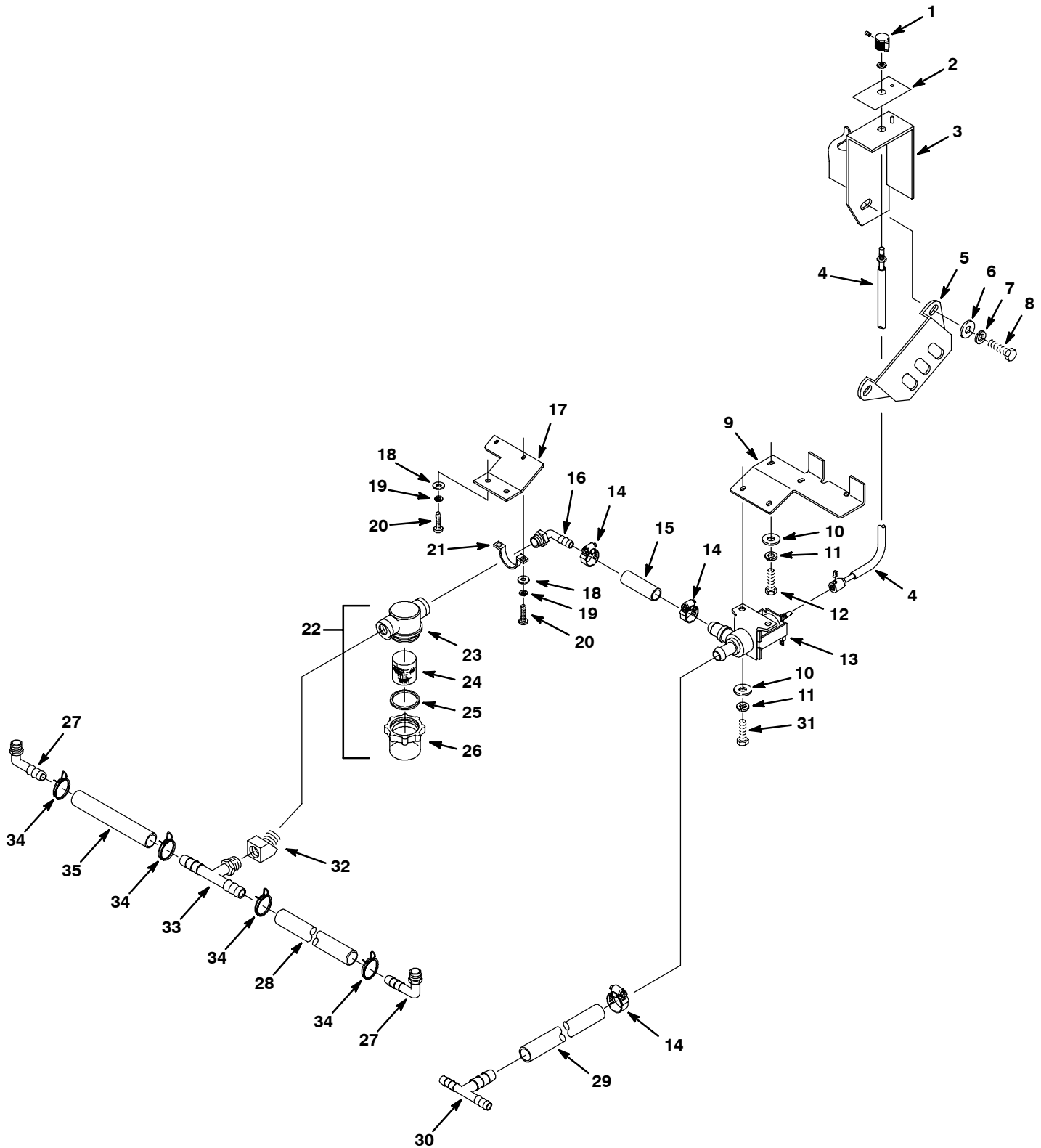
▽ ASSEMBLY / CONJUNTO

▲ INCLUDED IN ASSEMBLY / INCLUIDO EN EL CONJUNTO

● RECOMMENDED STOCK ITEMS / ARTICULOS RECOMENDADOS PARA
MANTENER EN EXISTENCIA

PARTS LIST - LISTA DE PIEZAS - LISTE DES PIÈCES

SOLUTION GROUP / GRUPO DE SOLUCION / GROUPE DE SOLUTION



PARTS LIST - LISTA DE PIEZAS - LISTE DES PIÈCES

SOLUTION GROUP / GRUPO DE SOLUCION / GROUPE DE SOLUTION

REF	PART #	DESCRIPTION	QTY.
1	626121	KNOB, RND 0.72D 0.78L 0.25B, PLSTC	1
2	612039	LABEL, SOLUTION CONTROL	1
3	1002538	BRACKET, SOLUTION CONTROL	1
4	612497	CABLE, SOL. FLOW CONTROL	1
5	230661	PLATE, LOCK CONTROL HSG.	1
6	140027	WASHER, 5/16 FLAT	2
7	140015	WASHER, 5/16 LOCK	2
8	16931	SCREW, HEX, M8X1.25X20, 8.8	2
9	611822	BRACKET, SOLELNOID MOUNT	1
10	140000	WASHER, 1/4 FLAT	4
11	200655017	WASHER, M6 LOCK	4
12	15678	SCREW, M6 X 1 X 16 HXHDCP	2
13	612498	●VALVE, LIQUID DISPENSING	1
	614265	●KIT, VALVE, WATER, REBUILD	1
14	54333	CLAMP, HOSE	3
15	069760725	●HOSE, PVC, CLR, 0.50ID 0.75OD 3.0L	1
16	1017532	FITTING, PLSTC, E90, BM08/PM06	1

▽ ASSEMBLY / CONJUNTO

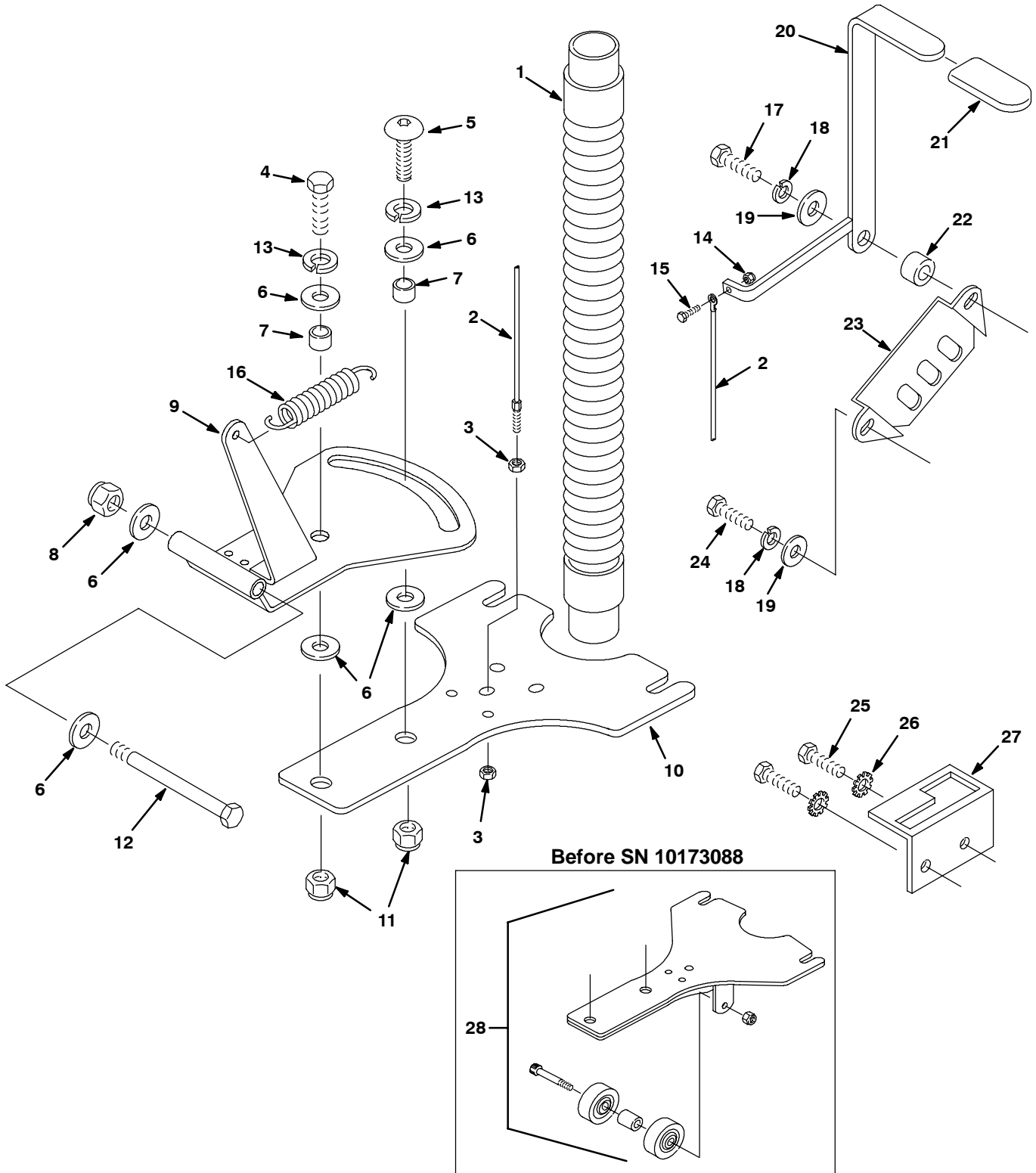
▲ INCLUDED IN ASSEMBLY / INCLUIDO EN EL CONJUNTO

● RECOMMENDED STOCK ITEMS / ARTICULOS RECOMENDADOS PARA MANTENER EN EXISTENCIA

REF	PART #	DESCRIPTION	QTY.
17	611820	BRACKET, FILTER BOWL	1
18	575541000	WASHER, M5 FLAT	4
19	1026457	WASHER, LOCK, M5, SS	4
20	609062	SCREW, M5X.8X12 TRSPHL	4
21	605056	BRACKET, FILTER MOUNT	1
▽ 22	1005302	●ASM., FILTER BOWL & SCREEN	1
▲ 23	613993	●HOUSING, TOP	1
▲ 24	1005304	●SCREEN, FLTR, 80 MESH	1
▲ 25	613992	●GASKET	1
▲ 26	613991	●BOWL, CLR, SHORT	1
27	1017532	FITTING, PLSTC, E90, BM08/PM06	2
28	626204	●HOSE, PVC, CLR, 0.50ID 0.75OD 12.7L	1
29	613531	●HOSE, PVC, CLR, 0.50ID 0.75OD 45.0L	1
30	222536	●FITTING, BM06/BM06/BM08 TEE	1
31	200031432	SCREW, M6X1.0X10 HXHDCP	2
32	01997	FITTING, BRASS ELBOW 45	1
33	605046	FITTING, 3/8MX1/2HX1/2H TEE	1
34	607776	CLAMP, HOSE 2 WIRE BLK	4
35	606241	●HOSE, PVC, CLR, 0.50ID 0.75OD 6.0L	1

PARTS LIST - LISTA DE PIEZAS - LISTE DES PIÈCES

SQUEEGEE CONTROL GROUP / GRUPO DE CONTROL DE LA ESCOBILLA DE GOMA / GROUPE COMMANDE DE RACLOIR



PARTS LIST - LISTA DE PIEZAS - LISTE DES PIÈCES

SQUEEGEE CONTROL GROUP / GRUPO DE CONTROL DE LA ESCOBILLA DE GOMA / GROUPE COMMANDE DE RACLOIR

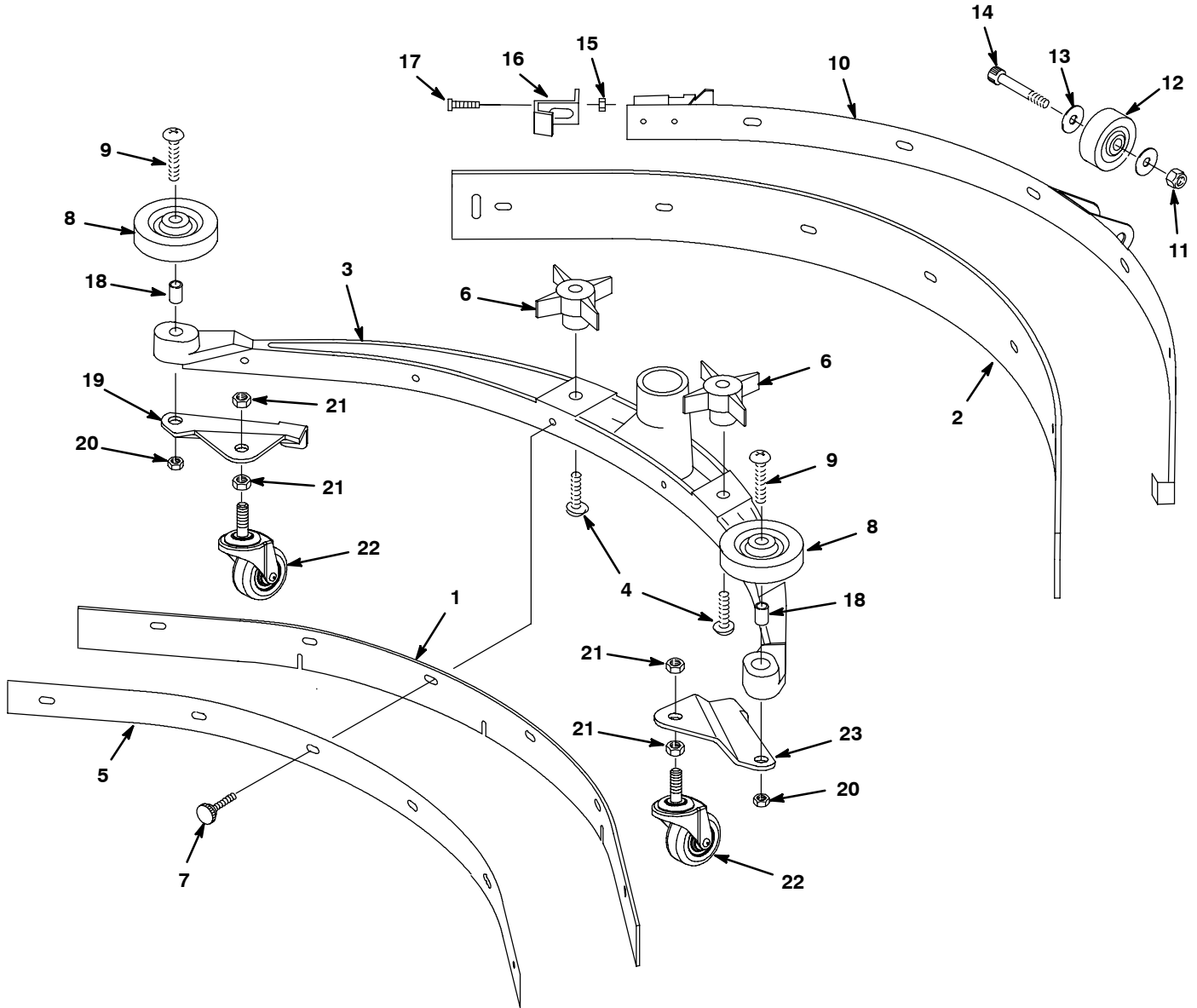
REF	PART #	DESCRIPTION	QTY.
1	160613	●HOSE, VACUUM, 1.5DX30L, 2-CUFFS	1
2	1015636	●CABLE, SQUEEGEE LIFT	1
3	41169	NUT, HEX LOCK, .25-20 NL SS	2
4	140236	SCREW, HEX, .50-13X1.25 ZN	1
5	611480	SCREW, TRS, .50-13X1.25 PHL SS	1
6	140045	WASHER, FLAT, 0.51B 1.25D .06 SS	6
7	140139	SLEEVE, P/M, 0.625D 0.500B 0.25L STL PLT	2
8	02931	NUT, HEX LOCK .50-13 NL SS	1
9	1021179	PIVOT MOUNT, SQUEEGEE	1
10	1011342	BRACKET, SQUEEGEE MOUNT	1
11	140509	NUT, 1/2-13 HXJM SS	2
12	602981	SCREW, HEX, .50-13X5.50 ZN	1
13	140024	WASHER, LOCK 0.50 SS	2
14	08712	NUT, HEX LOCK, M6X1.0 SS NL	1

REF	PART #	DESCRIPTION	QTY.
15	15678	SCREW, HEX, M6X1.0X16 SS	1
16	611477	SPRING, SQUEEGEE	1
17	200031496	SCREW, M08X1.25X35	1
18	140015	WASHER, LOCK, SPLT, 0.31 SS	2
19	140027	WASHER, FLAT, 0.35B 0.75D .04 SS	2
20	602885	HANDLE, SQUEEGEE LIFT	1
21	200816	●GRIP, HANDLE .25 X 1 X 2.25	1
22	604358	SPACER BUSHING	1
23	230661	PLATE, LOCK CONTROL HOUSING	1
24	16931	SCREW, HEX, M8X1.25X20, 8.8	1
25	140268	SCREW, HEX, M5X0.8X12 SS	2
26	140031	WASHER, #10 EXT ZN	2
27	230712	PLATE, SQUEEGEE LOCK	1
28	N/A	BRACKET, SQUEEGEE MOUNT - REPLACED BY KIT NO. 614116	1

● RECOMMENDED STOCK ITEMS / ARTICULOS RECOMENDADOS PARA
MANTENER EN EXISTENCIA

PARTS LIST - LISTA DE PIEZAS - LISTE DES PIÈCES

SQUEEGEE ASSEMBLY GROUP - STD. WIDTH, 33 in / 838 mm
CONJUNTO PALETA, 33 pulg / 838 mm / GROUPE DE LA RACLETTE, 33 in / 838 mm



PARTS LIST - LISTA DE PIEZAS - LISTE DES PIÈCES

SQUEEGEE ASSEMBLY GROUP - STD. WIDTH, 33 in / 838 mm CONJUNTO PALETA, 33 pulg / 838 mm / GROUPE DE LA RACLETTE, 33 in / 838 mm

REF	PART #	DESCRIPTION	QTY.
∇	612025*	ASSEMBLY, SQUEEGEE, LINATEX	1
▲∇	606758	●KIT, SQUEEGEE BLADES, LINATEX	1
▲ 1	605030	●BLADE, FRONT SQUEEGEE, LINATEX (RED)	1
▲ 2	605029	●BLADE, REAR SQUEEGEE, LINATEX (RED)	1
∇	613036*	ASSEMBLY, SQUEEGEE, GUM RUBBER	1
▲∇	606757	●KIT, SQUEEGEE BLADES, GUM RUBBER	1
▲ 1	605028	●BLADE, FRONT SQUEEGEE, GUM RUBBER (TAN)	1
▲ 2	605027	●BLADE, REAR SQUEEGEE, GUM RUBBER (TAN)	1
∇	606743*	ASSEMBLY, SQUEEGEE, URETHANE	1
▲∇	606759	●KIT, SQUEEGEE BLADES, URETHANE	1
▲ 1	605032	●BLADE, FRONT SQUEEGEE, URETHANE (WHITE)	1
▲ 2	605031	●BLADE, REAR SQUEEGEE, URETHANE (WHITE)	1
▲ 3	611462	CASTING, SQUEEGEE	1
▲ 4	140799	SCREW, TRS, .31-18 X 1.50, PHL	2
▲ 5	605034	RETAINER, FRONT STRIP	1
▲ 6	370100	●KNOB, STAR, 2.80D 4EAR 1.1L .31-18 PLSTC	2
▲ 7	603012	●KNOB, RND, 19D, PLSTIC, M6X12 STUD	6

REF	PART #	DESCRIPTION	QTY.
▲ 8	1010560	●WHEEL, BMPR, 80D X 25W, NON-MARKING	2
▲ 9	611489	SCREW, TRS, .31-18 X 1.88, PHL	2
▲ 10	605033	SQUEEGEE, BAND ASM REAR	1
▲ 11	601108000	NUT, 5/16-18 HXLCK THIN NY	1
▲ 12	630477	●WHEEL, 2.0D 0.38W POLY GRAY	1
▲ 13	140028	WASHER, 3/8 FLAT	2
▲ 14	600187	SCREW, SHOULDER, 3/8 X 1 1/4	1
▲ 15	09739	NUT, M5X.8 NYLOCK	1
▲ 16	605069	CLIP, SQUEEGEE BAND	1
▲ 17	630389	SCREW, M5 7/8X45 PANPHL	1
▲ 18	222460	SLEEVE, P/M 0.496D 0.318B 0.50L 430SS	2
▲ 19	1010488	BRACKET, CASTER MTG, SWIVEL, RH (After SN 10173088)	1
▲ 20	140506	NUT, HEX, STD, .31-18, SS	2
▲ 21	39312	NUT, HEX, STD, M10 X 1.5 (After SN 10173088)	4
▲ 22	1006343	●CASTER, SWIVEL, 2.0 D 0.8W, M10 STEM (After SN 10173088)	2
▲ 23	1006347	BRACKET, CASTER MTG, SWIVEL, LH (After SN 10173088)	1

∇ ASSEMBLY / CONJUNTO

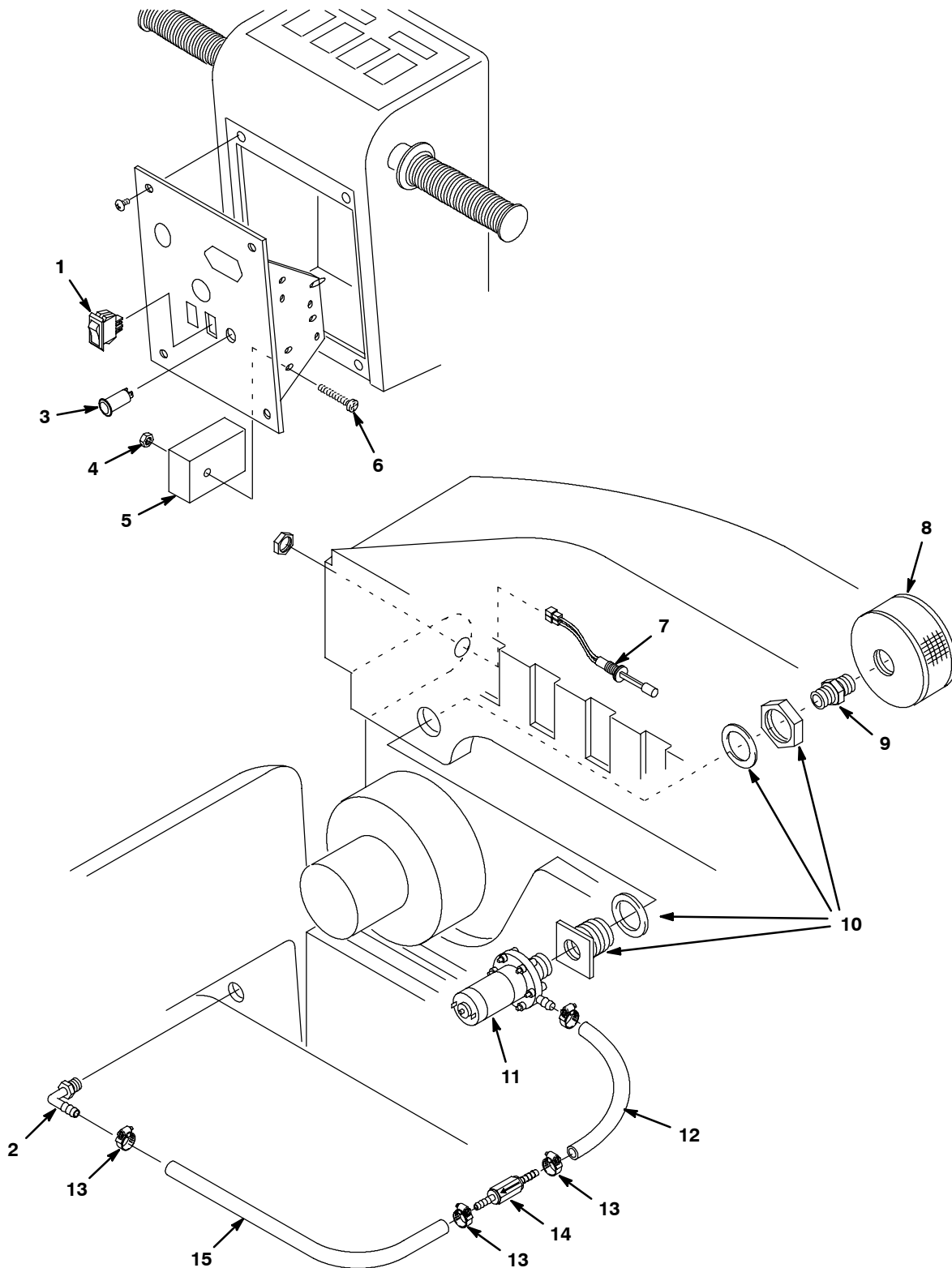
▲ INCLUDED IN ASSEMBLY / INCLUIDO EN EL CONJUNTO

● RECOMMENDED STOCK ITEMS / ARTICULOS RECOMENDADOS PARA MANTENER EN EXISTENCIA

* NOTE: KIT # 614116 IS REQUIRED FOR MODELS BEFORE SN. 10173088.

OPTIONS - OPCIONES - ÉQUIPEMENT AU CHOIX

ES (EXTENDED SCRUB) SOLUTION GROUP / ES GRUPO DE LA SOLUCIÓN / ES GRUPE DE SOLUTION



OPTIONS - OPCIONES - ÉQUIPEMENT AU CHOIX

ES (EXTENDED SCRUB) SOLUTION GROUP / ES GRUPO DE LA SOLUCIÓN / ES GRUPE DE SOLUTION

REF	PART #	DESCRIPTION	QTY.
∇	604780	●KIT, ES	1
▲ 1	630419	●SWITCH, ROCKER	1
▲ 2	150415	FITTING, ELBOW 90°	1
▲ 3	130738	●LIGHT, INDICATOR GREEN	1
▲ 4	140283	NUT	1
▲ 5	630145	●TIMER, 24VDC, RANGE: 30SEC	1
▲ 6	578008000	SCREW	1
▲ 7	603166	●SWITCH, LIQUID LEVEL W/NUT	1
▲ 8	630138	●FILTER, SCREEN	1
▲ 9	630385	FITTING, 3/4M NIPPLE	1

REF	PART #	DESCRIPTION	QTY.
▲ 10	601490	FITTING, 3/4NPT BULKHEAD	1
▲ 11	630136	●PUMP, SOLUTION 24VDC	1
▲ 12	607308	HOSE, PVC, BRD, 0.38ID 0.60OD 7.9L	1
▲ 13	140310	CLAMP, HOSE	4
▲ 14	210044	●VALVE, CHECK	1
▲ 15	607103	HOSE, PVC, BRD, 0.38ID 0.60OD 15.0L	1
▲N/S	604787	HARNESS, WIRE, ES	1
▲N/S	630440	DECAL, REMOVE FILTER	1

∇ ASSEMBLY / CONJUNTO

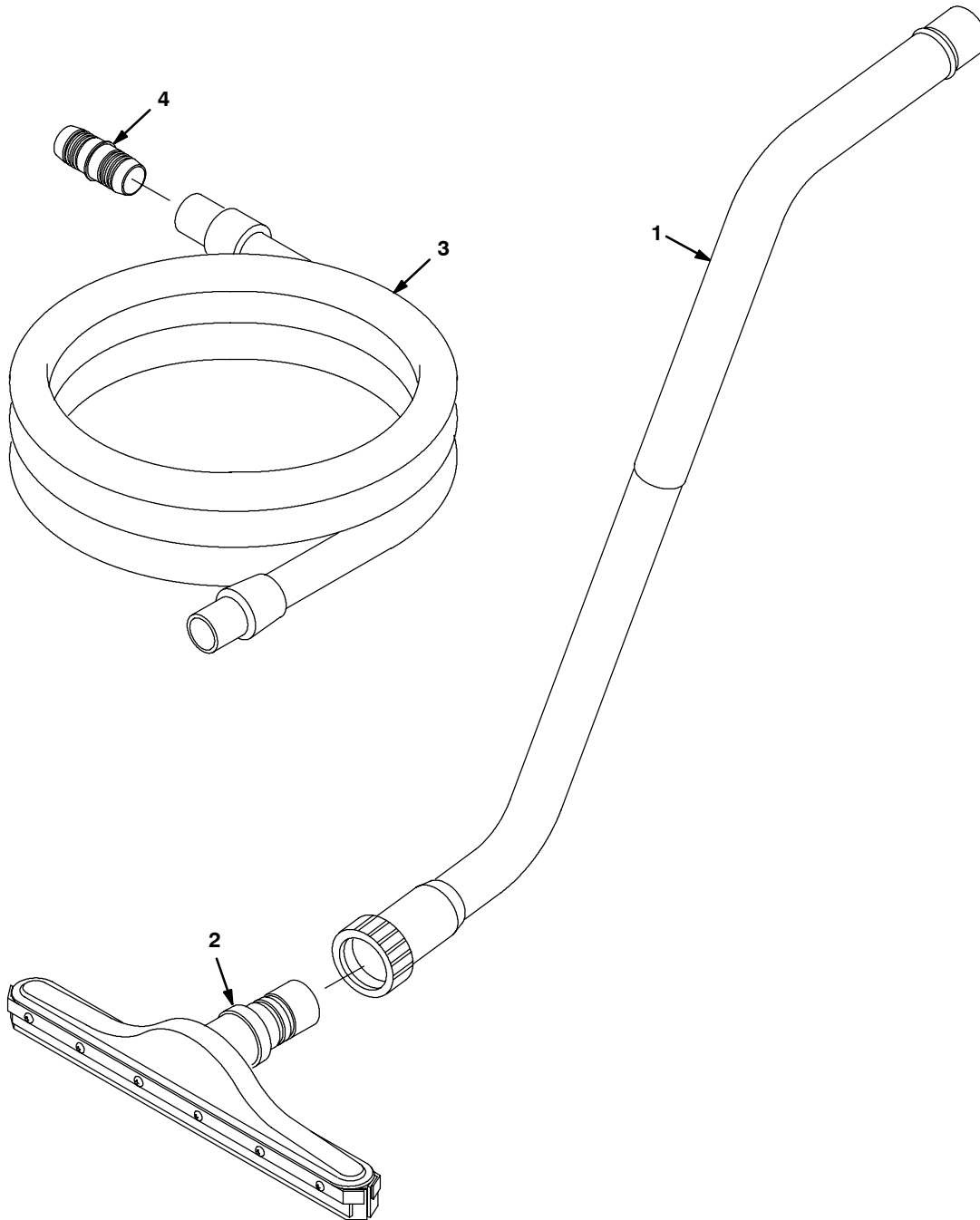
▲ INCLUDED IN ASSEMBLY / INCLUIDO EN EL CONJUNTO

● RECOMMENDED STOCK ITEMS / ARTICULOS RECOMENDADOS

N/S = NOT SHOWN

OPTIONS - OPCIONES - ÉQUIPEMENT AU CHOIX

SQUEEGEE WAND ASSEMBLY / GROUPE D'ASPIRATION ET RACLETTE À MAIN / GROUPE RACLOIR AUXILIAIRE D'EXTRACTION



REF	PART #	DESCRIPTION	QTY.
▽	190928	●ASM, WAND DOUBLE BEND	1
▲ 1	6108.1	WAND, DOUBLE BEND	1
▲ 2	13840	SQUEEGEE ASM PUSH/PULL	1

REF	PART #	DESCRIPTION	QTY.
▲ 3	160481	●HOSE, VAC 1-1/2X10'	1
▲ 4	160451	CONNECTOR, VAC HOSE	1

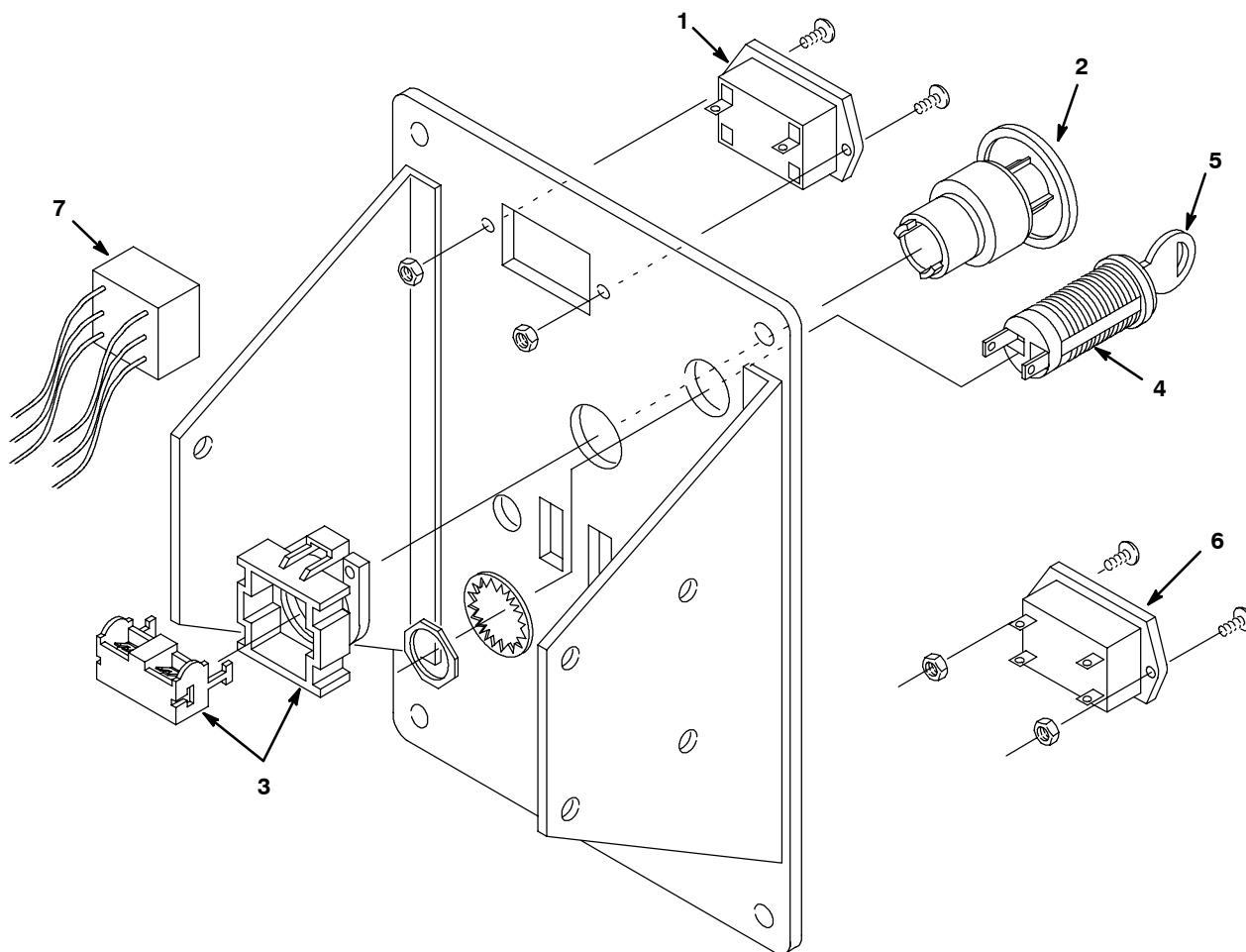
▽ ASSEMBLY / CONJUNTO

▲ INCLUDED IN ASSEMBLY / INCLUIDO EN EL CONJUNTO

● RECOMMENDED STOCK ITEMS / ARTICULOS RECOMENDADOS

OPTIONS - OPCIONES - ÉQUIPEMENT AU CHOIX

**HOUR METER, EMERGENCY STOP, KEYSWITCH AND LOW VOLTAGE KITS /
 MEDIDOR DE HORA, BOTÓN DE EMERGENCIA, INTERRUPTOR DE LLAVE, HERRAMIENTAS DE BAJO
 VOLTAGE / LOT COMPTEUR HORAIRE, ARRÊT D'URGENCE, CONTACT ET KITS DE BASSE TENSION**



REF	PART #	DESCRIPTION	QTY.
▽	602999	●KIT, HOUR METER	1
▲ 1	1010555	●METER, HOUR	1
▲ N/S	603000	ASM., WIRE #18X5" BLU	1
▲ N/S	603004	ASM WIRE #18X5" BLK	1
▽	602995	●KIT, EMERGENCY STOP	1
▲ 2	630100	●SWITCH, EMERGENCY STOP BUTTON	1
▲ 3	630097	●SWITCH, CONTACT BLOCK	1
▲ N/S	602996	ASM, WIRE #16X5" RED 1/4FX1/4F	1
▲ N/S	602997	ASM, WIRE #16X5" RED 1/4MX1/4F	1

REF	PART #	DESCRIPTION	QTY.
▽	602993	●KIT, KEYSWITCH	1
▲▽ 4	612462	●SWITCH, KEY	1
▲ 5	607821	●KEY, REPLACEMENT	1
▽	603074	●KIT, LOW VOLTAGE CUTOFF	1
▲ 6	603076	●GAUGE, BATTERY 24V	1
▲ 7	603314	ASM., RELAY LOW VLTGE CUTOFF	1
▲N/S	603078	ASM., WIRE #18X9" GRN	1
▲N/S	603080	ASM., WIRE #18X8" BLK	1
▲N/S	603081	ASM., WIRE #18X12" RED	1
▲N/S	130040	WIRE TIE	1

▽ ASSEMBLY / CONJUNTO

▲ INCLUDED IN ASSEMBLY / INCLUIDO EN EL CONJUNTO

● RECOMMENDED STOCK ITEMS / ARTICULOS RECOMENDADOS PARA
 MANTENER EN EXISTENCIA