



Speed Scrub[®] 2701/3301

Automatic Floor Scrubber
Fregadora Automática

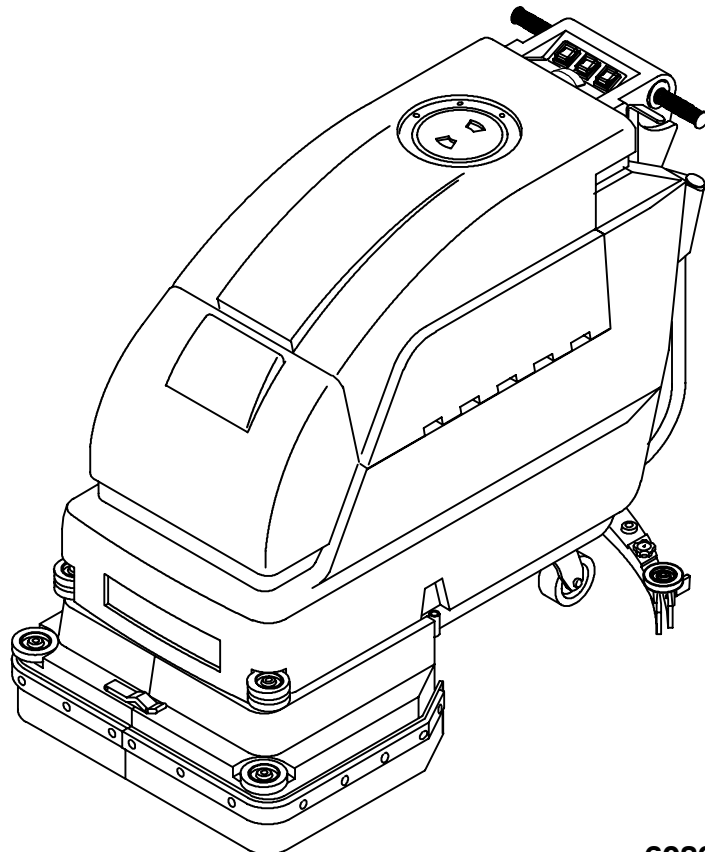


The safe scrubbing alternative™

Model No.:

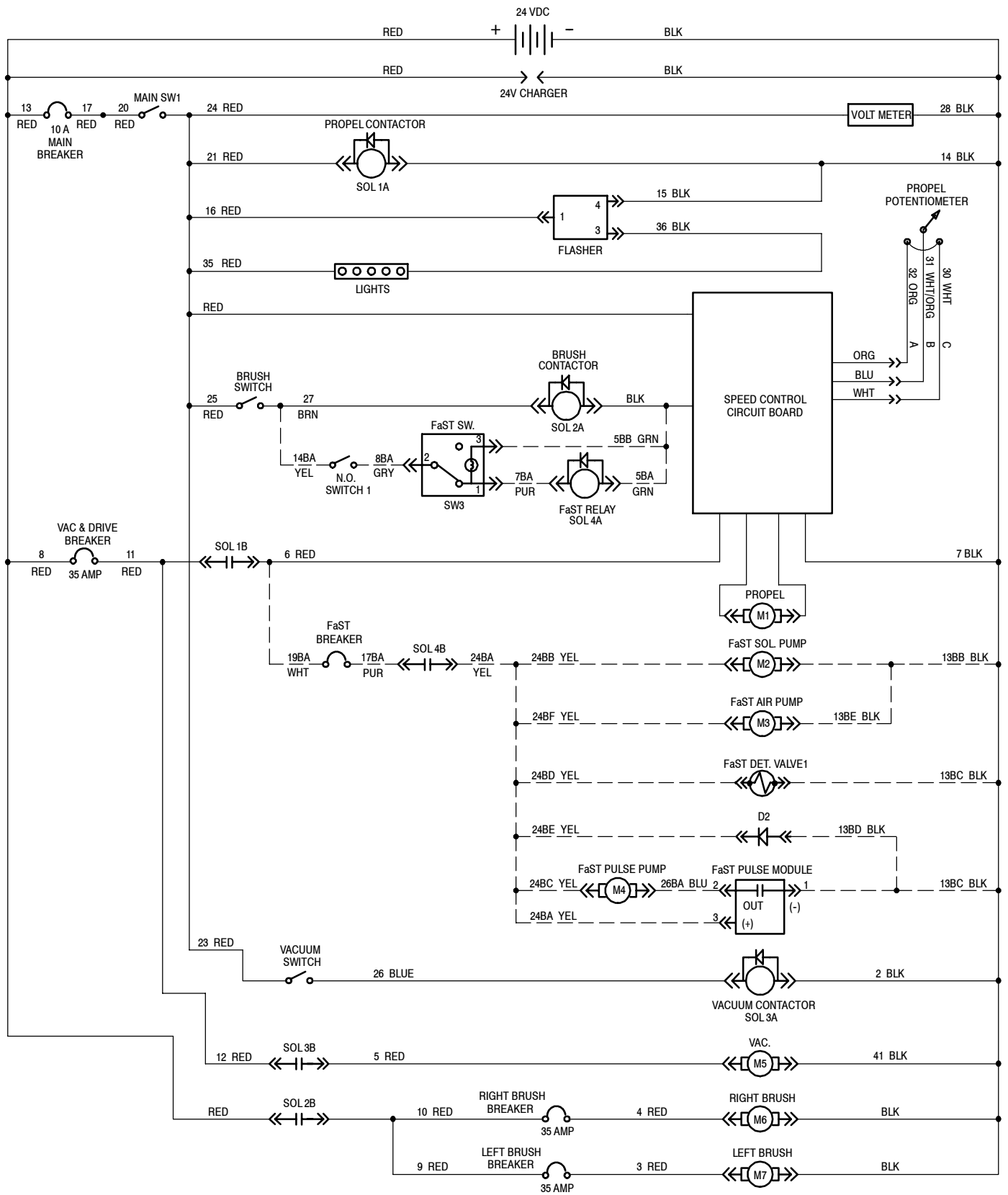
- 608695 - 2701
- 608696 - 2701 Quick Ship Pack
- 609239 - 2701 Can. Pac
- 614163 - 2701 FaST
- 608275 - 3301
- 608276 - 3301 Quick Ship Pack
- 609238 - 3301 Can. Pac
- 614164 - 3301 FaST

**Operator and Parts Manual
Manual del Operador y Piezas**

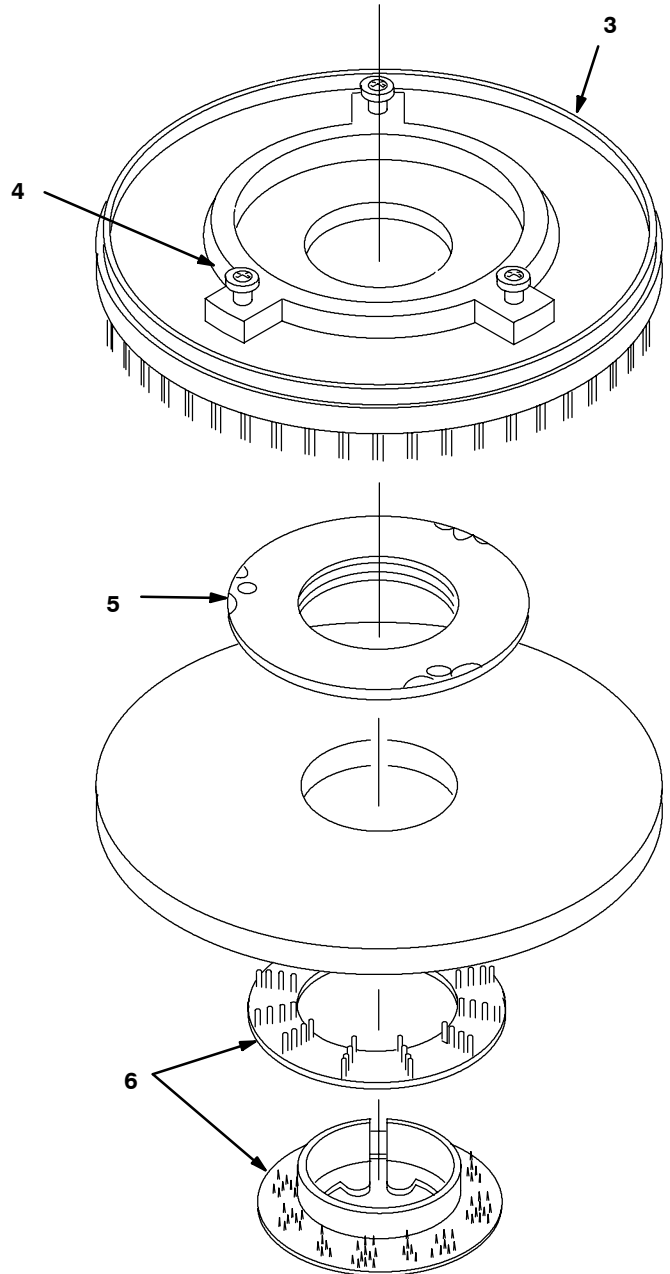
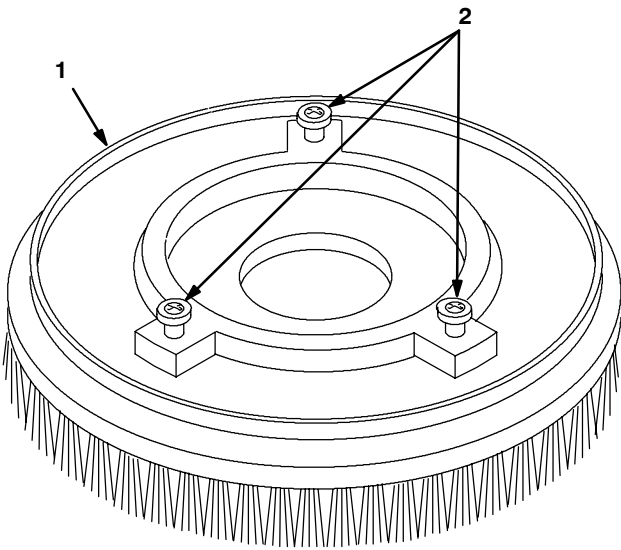


608290
Rev. 04 (11-04)

ELECTRICAL DIAGRAM DIAGRAMA ELECTRICO



REPLACEMENT BRUSHES AND PAD DRIVER GROUP
CEPILLO DEL REEMPLAZO Y GRUPO DEL MANDO DE LA ALMOHADILLA



REPLACEMENT BRUSHES AND PAD DRIVER GROUP
CEPILLO DEL REEMPLAZO Y GRUPO DEL MANDO DE LA ALMOHADILLA

REF	PART #	DESCRIPTION	QTY.
▽ 1	240227	BRUSH, 14" POLY SCRUB PK/2 (2701)	2
	240234	BRUSH, 14" NYLON GRIT PK/2 (2701)	2
	240236	BRUSH, 14" DYNA SCRUB PK/2 (2701)	2
	240243	BRUSH, 14" SCRUB/STRIP PK/2 (2701)	2
	240230	BRUSH, 17" POLY SCRUB PK/2 (3301)	2
	240235	BRUSH, 17" NYLON GRIT PK/2 (3301)	2
	240237	BRUSH, 17" DYNA SCRUB PK/2 (3301)	2
	240241	BRUSH, 17" SCRUB/STRIP PK/2 (3301)	2
▲ 2	240238	LUGS, W/ SCREWS (SET OF 3)	6

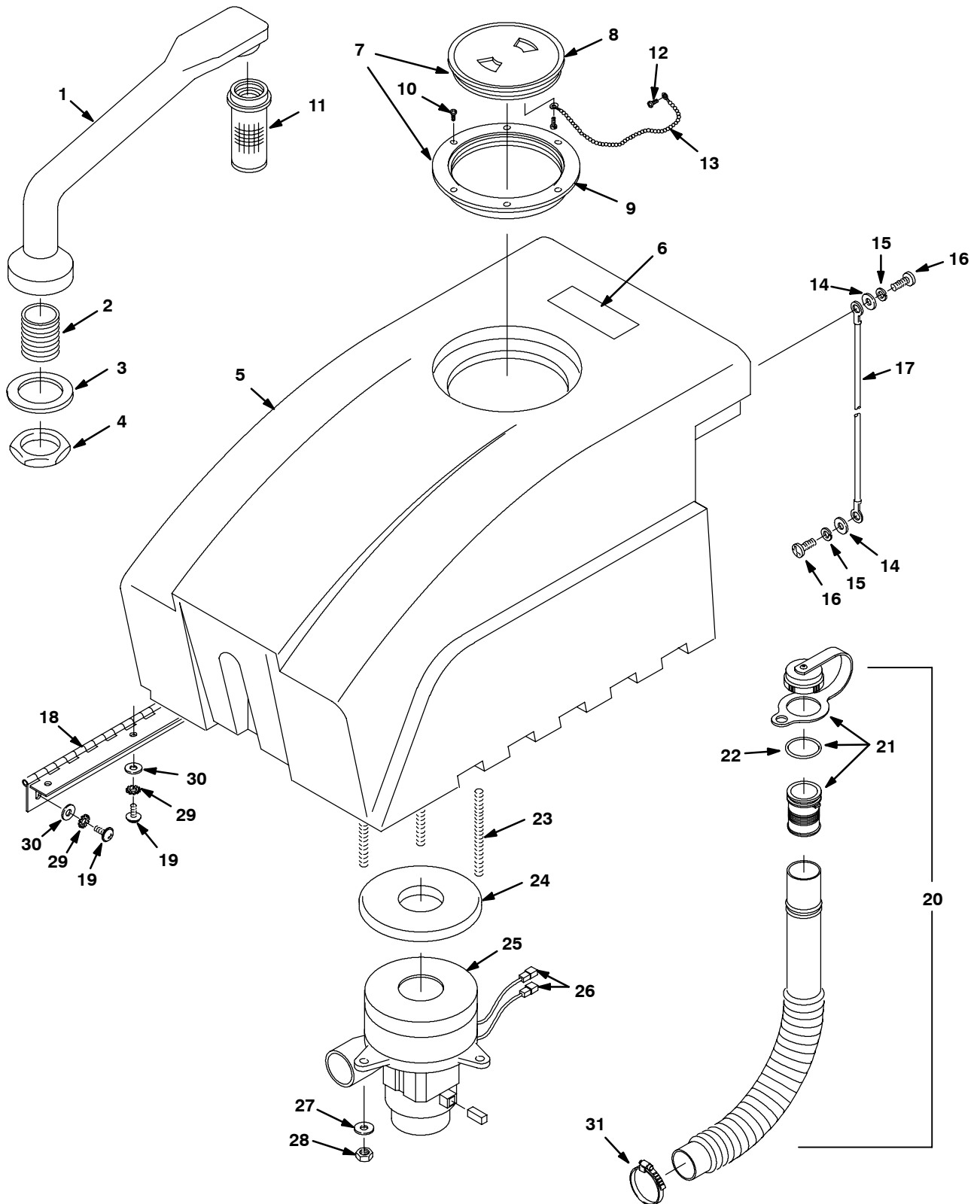
REF	PART #	DESCRIPTION	QTY.
▽ 3	240232	●ASM, 14" PAD DRIVER (2701)	2
	240233	●ASM, 17" PAD DRIVER (3301)	2
▲ 4	240238	LUGS, W/ SCREWS (SET OF 3)	6
▲ 5	100106	PLATE, PAD DRIVER BASE	2
▲ 6	100107	●RING, PAD RETAINER SNAP-IN	2

▽ ASSEMBLY / CONJUNTO

▲ INCLUDED IN ASSEMBLY / INCLUIDO EN EL CONJUNTO

● RECOMMENDED STOCK ITEMS / ARTICULOS RECOMENDADOS PARA MANTENER EN EXISTENCIA

RECOVERY TANK GROUP
CONJUNTO DESPOSITO RECUPERAR



RECOVERY TANK GROUP
CONJUNTO DESPOSITO RECUPERAR

REF	PART #	DESCRIPTION	QTY.
▽	100162	ASM, STANDPIPE W/NIPPLE	1
▲ 1	100759	STANDPIPE, RM-NAT	1
▲ 2	606088	FITTING, 1-1/2" NIPPLE CPVC	1
3	101714	●GASKET, WASTE AIR CHAMBER	1
4	210240	NUT, FLANGED 1-1/2 FPT	1
▽ 5	614118	ASM, RECOVERY TANK WITH LABEL, GREEN	1
	614119	ASM, RECOVERY TANK WITH LABEL, DK. GRAY	1
▲ 6	613287	LABEL, WARNING	1
▽ 7	100102	●CLEAR LID W/STANDARD HOLE	1
▲ 8	100105	●LID, CENTER ONLY, CLEAR	1
▲ 9	100109	●LID, OUTER RING	1
10	140826	SCREW, #6X3/4 PANPHL SHTMTL	6
11	180613	●FLOAT, SHUT-OFF	1
12	3701.6	SCREW, #6X3/8 PANPHL SHTMTL	2
13	230513	ASSEMBLY, CHAIN	1
14	140027	WASHER, 5/16 FLAT	2
15	140015	WASHER, 5/16 LOCK	2
16	16931	SCREW, M8X1.25X20 HEXHD	2

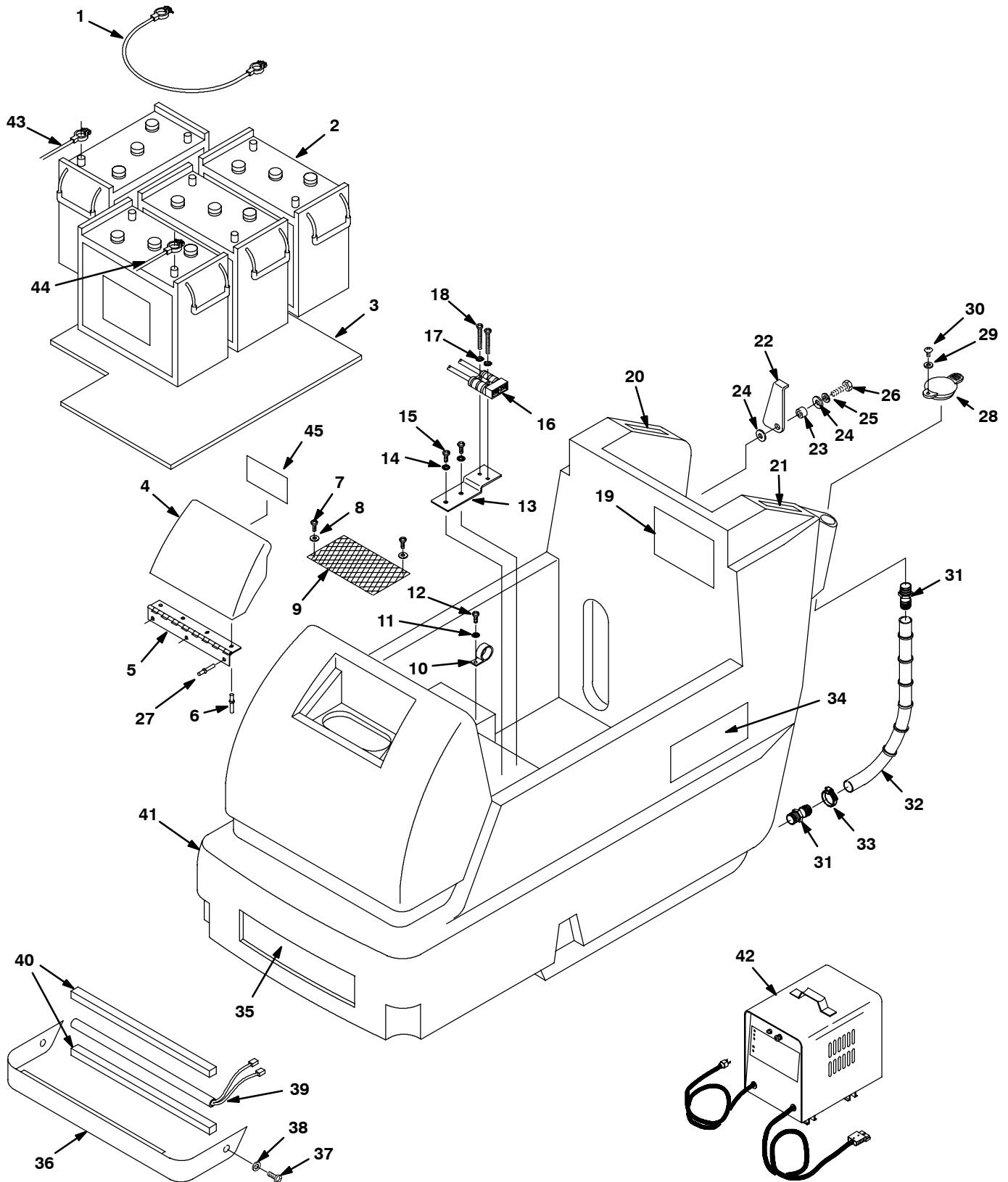
REF	PART #	DESCRIPTION	QTY.
17	140960	●CABLE, REC TANK SUPPORT	1
18	230938	●HINGE, REC TANK	1
19	363503	SCREW, M6X1.0X12 PANHD	11
▽ 20	1010143	●ASSEMBLY, DRAIN HOSE	1
▲▽ 21	1008639	●ASSEMBLY, CAP, DRAIN HOSE	1
▲ 22	1008637	●O-RING	1
23	140353	SCREW, M6X1.0X108 STUD	3
24	626092	●GASKET, VAC MOTOR	1
25	130477	●MOTOR, VAC 5.7 3S 24V	1
	190163	●BRUSH, CARBON 2/PK	1
26	130096	TERMINAL, MALE	2
27	140000	WASHER, 0.28B, 0.62D, .04, FLAT	3
28	08712	NUT, M6X1.0 NYLOCK	3
29	140052	WASHER, 1/4 LOCK	11
30	140000	WASHER, 0.28B, 0.62D, .04, FLAT	11
31	140308	CLAMP, HOSE 1-5/16 TO 2-1/4	1

▽ ASSEMBLY / CONJUNTO

▲ INCLUDED IN ASSEMBLY / INCLUIDO EN EL CONJUNTO

● RECOMMENDED STOCK ITEMS / ARTICULOS RECOMENDADOS PARA MANTENER EN EXISTENCIA

CHASSIS GROUP
CONJUNTO TELAIO



CHASSIS GROUP
CONJUNTO TELAIO

REF	PART #	DESCRIPTION	QTY.
1	130367	CABLE, BATTERY 15" BLK X 6 GA.	3
2	606991	BATTERY 6V 305AH DUAL TERM	4
	130986	BATTERY 6V 250AH	4
3	100707	PLATE, BATTERY SUPPORT	1
▽	608518	ASM, COVER SOL. TANK GREEN	1
	701196	ASM, COVER SOL. TANK DK. GRAY	1
▲	612518	COVER, SOL. TANK GREEN	1
	612520	COVER, SOL. TANK DK. GRAY	1
▲	611068	HINGE, COVER	1
▲	140706	RIVET, POP 1/8	4
7	3701.6	SCREW, #6X3/8 PANPHL SHTMTL	2
8	140032	WASHER, #6 FLAT	2
9	602529	FILTER, SCREEN	1
10	140300	CLAMP, INSULATED 1/2" ID	1
11	07514	WASHER, #10 LOCK	1
12	578141000	SCREW, M5X0.8X10 PANPHL	1
13	230665	BRACKET, CHARGER PLUG	1
14	07514	WASHER, #10 LOCK	2
15	578141000	SCREW, M5X0.8X10 PANPHL	2
16	604556	ASM, WIRE, CHARGE PLUG	1
17	140019	WASHER, #6 LOCK	2
18	2728.12	SCREW #6-32X3/4 PANPHL	2
19	120567	DECAL, WARNING BATT. DIAGRAM	1
20	600649	DECAL, SOLUTION LEVER, CE	1
	614356	DECAL, SOLUTION LEVER, FaST	1
21	600650	DECAL, SQUEEGEE LEVER CE	1
22	230925	SUPPORT, RECOVERY TANK	1
23	611418	SLEEVE, .437D, .315B, .14L	1

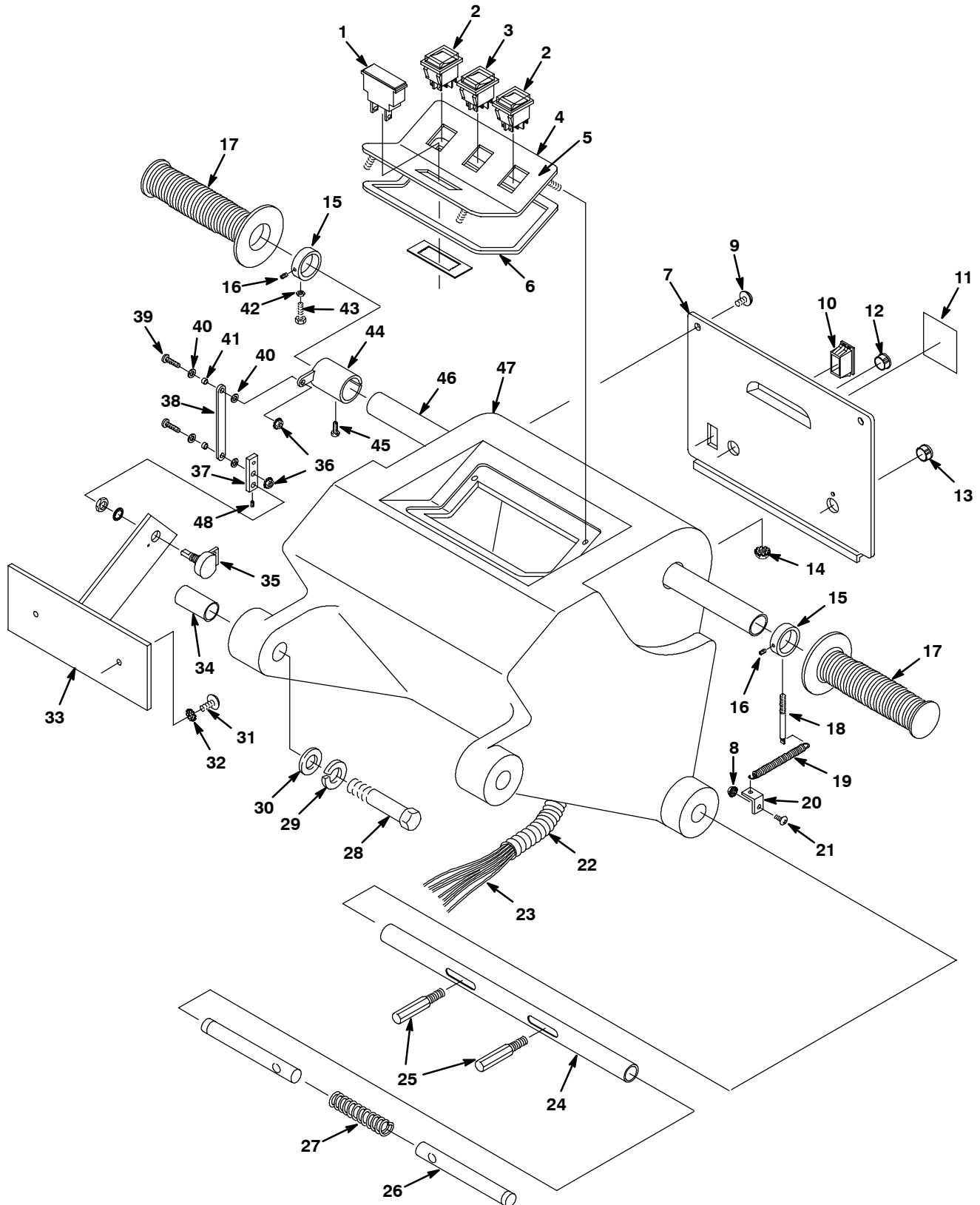
REF	PART #	DESCRIPTION	QTY.
24	140027	WASHER, 5/16 FLAT	2
25	140015	WASHER, 5/16 LOCK	1
26	578237000	SCREW M8X1.25X18 HXHDCP	1
27	140706	RIVET, POP 1/8	3
28	1012965	●CAP, PORT, SOLUTION FILL	1
29	01683	WASHER, FLAT #10	1
30	140340	SCREW, PAN #10-24 X 0.62	1
31	150529	FITTING, 3/4M X 3/4H BARB	2
32	600796	HOSE, DRAIN W/LEVEL INDCTR	1
33	630369	CLAMP, HOSE .50 - 1.1	1
34	608448	DECAL, SPEED SCRUB 2701	2
	608447	DECAL, SPEED SCRUB 3301	2
34	614357	DECAL, SPEED SCRUB 2701, FaST	2
	614358	DECAL, SPEED SCRUB 3301, FaST	2
35	608184	LABEL, NOBLES LOGO	1
36	230937.BK	SHIELD, LIGHT	1
37	578141000	SCREW, M5X0.8X10 PANPHL	2
38	07514	WASHER, #10 LOCK	2
39	130020	LIGHT, SAFETY 19"	1
40	613453	GASKET, 1/2" CLOSED CELL	2
41	608282	TANK, SOLUTION GREEN	1
	101801	TANK, SOLUTION DK. GRAY	1
42	130871	CHARGER, 24VDC 25AMP (FOR 250-305 AMP BATTERIES)	1
	601734	CHARGER, 24VDC 36AMP (FOR 250-335 AMP BATTERIES)	1
43	130390	ASM., WIRE #6 BLK 29"	1
44	130391	ASM., WIRE #6 RED 64"	1
45	613733	LABEL, ATTENTION (FaST MODEL)	1

▽ ASSEMBLY / CONJUNTO

▲ INCLUDED IN ASSEMBLY / INCLUIDO EN EL CONJUNTO

● RECOMMENDED STOCK ITEMS / ARTICULOS RECOMENDADOS PARA MANTENER EN EXISTENCIA

CONTROL CONSOLE GROUP
CONJUNTO CONSOLA DE CONTROLES



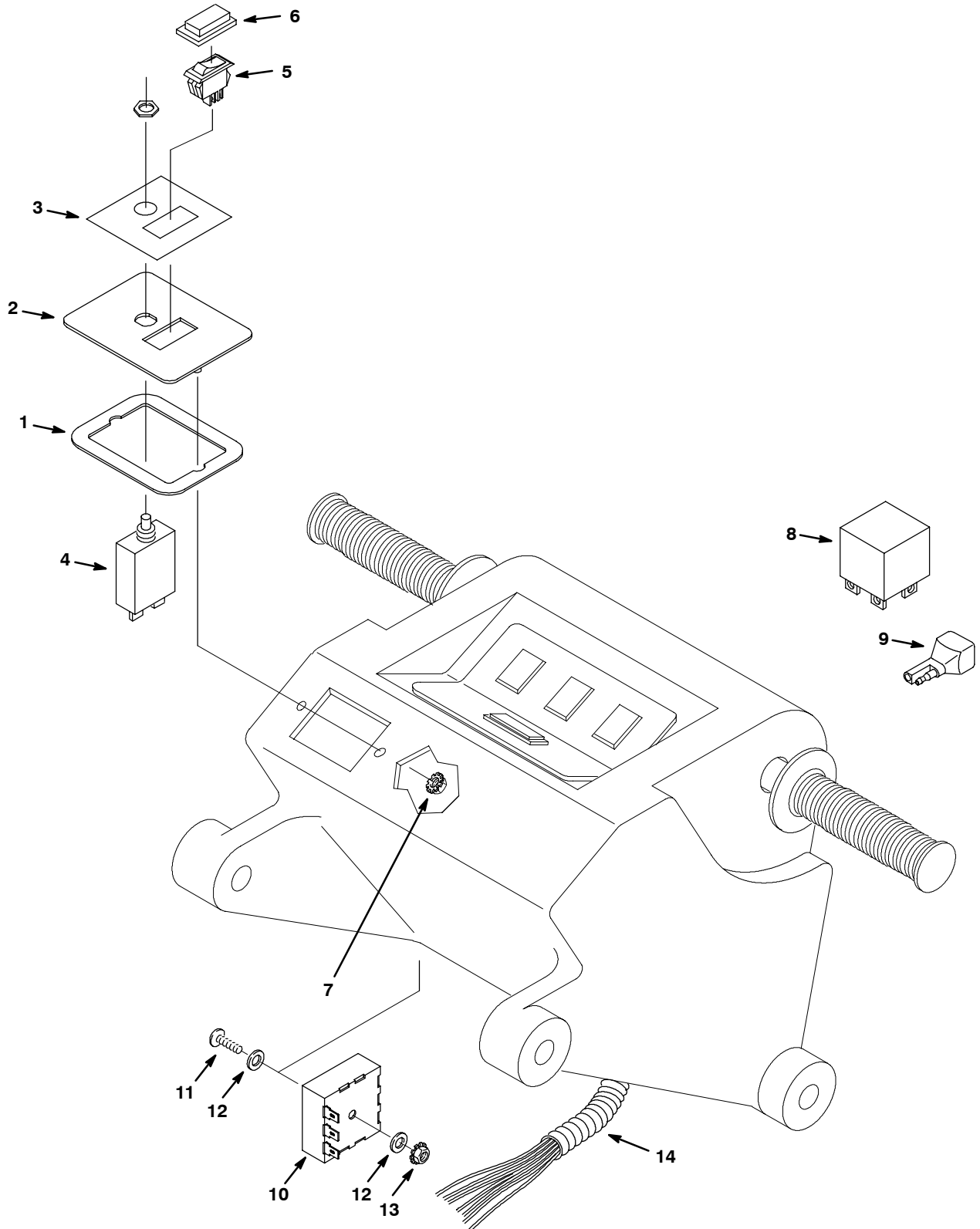
CONTROL CONSOLE GROUP
CONJUNTO CONSOLA DE CONTROLES

REF	PART #	DESCRIPTION	QTY.
1	606020	●METER, BATTERY VOLTAGE 24V	1
2	130816	●SWITCH, ROCKER SPST	2
3	130764	●SWITCH, ROCKER DPST 240V	1
4	230698.BK	PANEL, CONSOLE	1
5	600648	DECAL, DASH CE	1
6	100057	GASKET, CONSOLE	1
7	606276	PANEL, REAR COVER	1
8	140519	NUT, #10-24 KEP	1
9	140197	SCREW, #10-24X3/8 TRSPHL	2
10	582150	PLUG, ACCESSORY SWITCH	1
11	606105	LABEL, DO NOT SPRAY	1
12	130198	PLUG, PRY OUT .500 OD	1
13	069764626	PLUG, HOLE 012.7MM	1
14	140519	NUT, #10-24 KEP	4
15	230652	COLLAR, HANDLE	2
16	140859	SCREW, 1/4-20X1/4 SET	2
17	200823	GRIP, HANDLE TUBE	2
18	230491	PIN, SPRING RETURN	1
19	1002114	SPRING, ROLL THROTTLE	1
20	230564	BRACKET, SPRING	1
21	140900	SCREW, #10-24X3/4 TRSPHL	1
22	611986	WRAP, LOOM .50DX1.5'	1
23	600646	HARNES, HOUSING	1
24	230613	TUBE, HANDLE ADJUSTMENT	1

● RECOMMENDED STOCK ITEMS / ARTICULOS RECOMENDADOS PARA MANTENER EN EXISTENCIA

REF	PART #	DESCRIPTION	QTY.
25	230649	PIN, HANDLE ADJUSTMENT	2
26	230648	PIN, HANDLE ADJUSTMENT LOCK	2
27	140415	SPRING, LOCK PIN	1
28	140351	SCREW, M12X1.75X70 HXHDCP	2
29	140024	WASHER, 1/2 LOCK	2
30	3148.816	WASHER, .875X.515X.06 FLAT	2
31	140885	SCREW, 1/4-20X1/2 TRSPHL	2
32	140052	WASHER, 1/4 LOCK	2
33	230690	BRACKET, SPEED POT	1
34	140155	BUSHING, .48X.62X2.00	2
35	700898	POTENTIOMETER, 5K W/ WIRES	1
36	140519	NUT, #10-24 KEP	2
37	230688	LEVER ARM, SPEED POT	1
38	230689	LINK, SPEED POT	1
39	140900	SCREW, #10-24X3/4 TRSPHL	2
40	41579	WASHER, #8 FLAT	4
41	140138	BUSHING, .19X.25X.14	2
42	32520	NUT, 1/4-20 HXJM	1
43	24672	SCREW, 1/4-20X3/4 HEXHD	1
44	230687	BRACKET, SPEED POT TUBE	1
45	140899	SCREW, #10-24X1-1/4 RNDHD	1
46	230671	HANDLE, TUBE	1
47	100454	HOUSING, CONTROL DK. GRAY	1
	608278	HOUSING, CONTROL GREEN	1
	614359	HOUSING, CONTROL GREEN, FaST	1
48	140948	SCREW, #10-24X1/4 SET	1

CONTROL CONSOLE GROUP - FaST MODEL
CONJUNTO CONSOLA DE CONTROLES - MODELO FaST



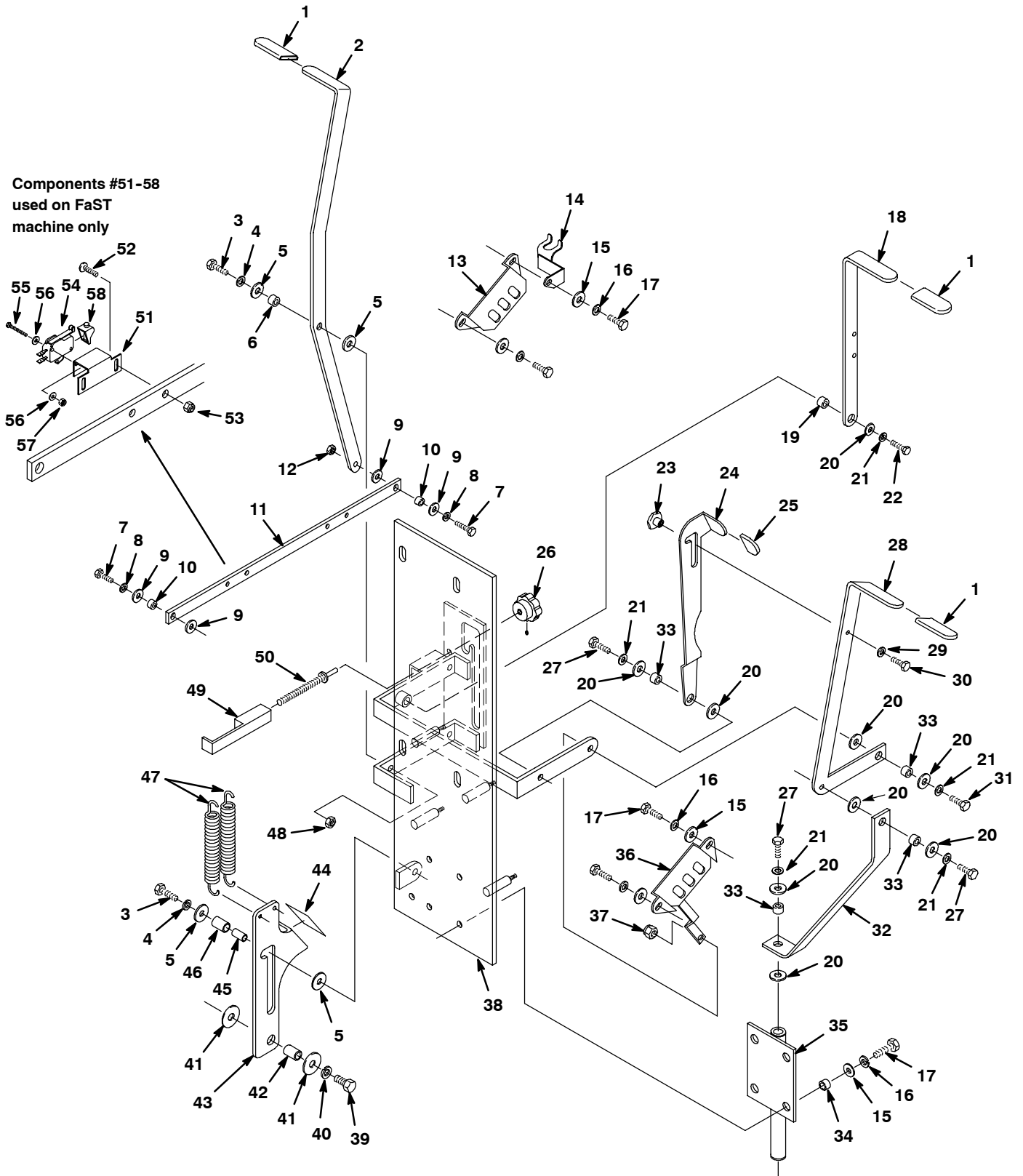
CONTROL CONSOLE GROUP - FaST MODEL
CONJUNTO CONSOLA DE CONTROLES - MODELO FaST

REF	PART #	DESCRIPTION	QTY.
1	1018717	●GASKET, SWITCH, FaST PLATE	1
2	1018645	PLATE, MTG, SWITCH, FaST	1
3	613399	LABEL, FaST SWITCH	1
4	383721	●BREAKER, CIRCUIT, 10 AMP	1
5	630419	●SWITCH, ROCKER, 28VDC	1
6	578720	●SPLASHGUARD, RCKR SWITCH	1
7	140519	NUT, #10-24 KEP	2

REF	PART #	DESCRIPTION	QTY.
8	49309	RELAY, 24VDC	1
9	222290	DIODE, ELEC, PLUG	1
10	1018093	TIMER, PUMP, DETGT, 12-40VDC	1
11	140899	SCREW, #10-24X1.25 RNDHD PHL	1
12	19066	WASHER, #10 FLAT	2
13	140519	NUT, #10-24 KEP	1
14	391937	HARNESS, WIRE, FaST	1

- RECOMMENDED STOCK ITEMS / ARTICULOS RECOMENDADOS PARA MANTENER EN EXISTENCIA

LEVER GROUP
CONJUNTO DE PALANCAS

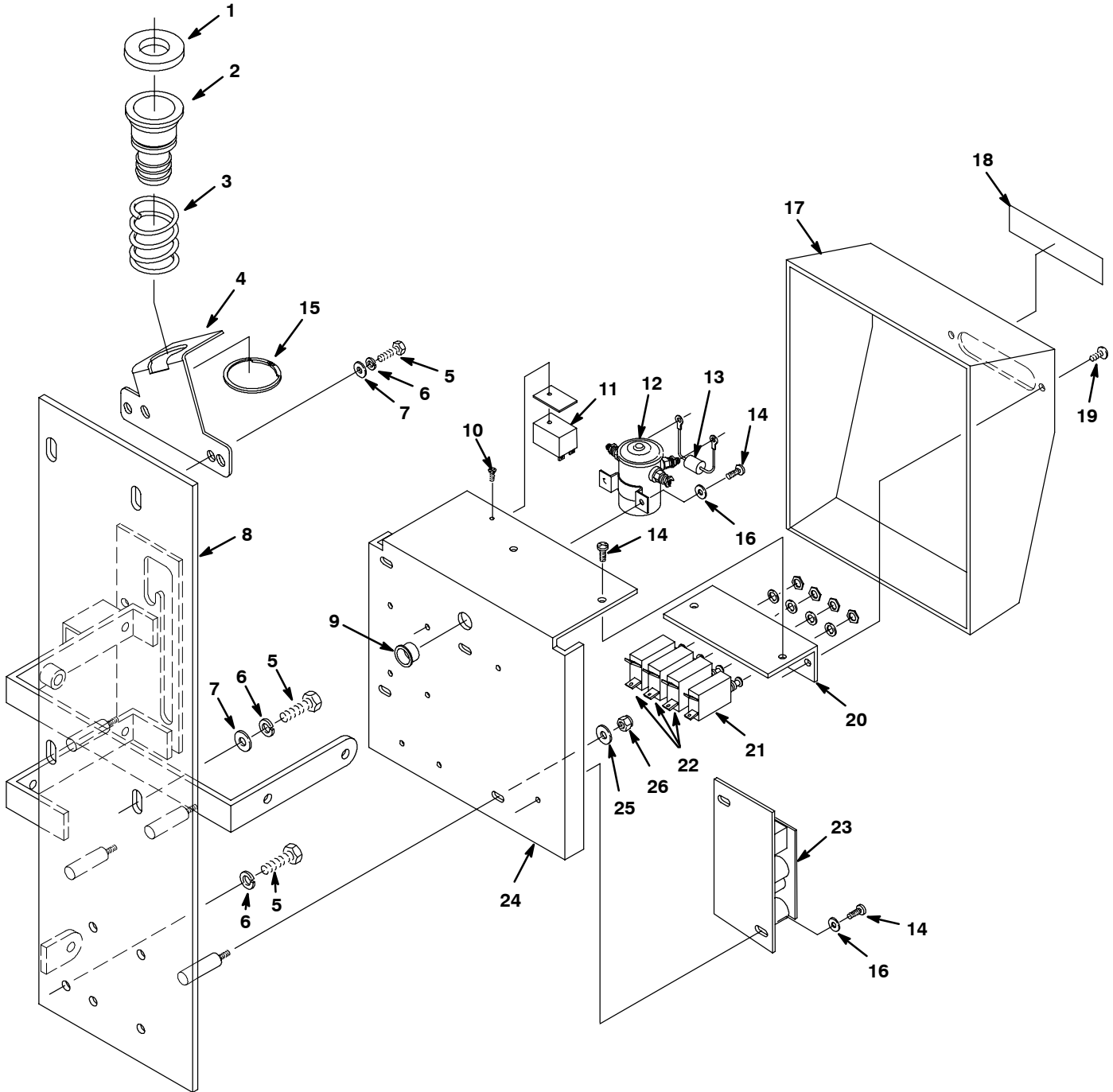


LEVER GROUP
CONJUNTO DE PALANCAS

REF	PART #	DESCRIPTION	QTY.
1	200816	GRIP, HANDLE 1/4X1X2-1/4	3
2	230680	HANDLE, VALVE HANDLE	1
	1018009	HANDLE, VALVE HANDLE, FaST	1
3	140202	SCREW, 3/8- 16X1 HEXHD	2
4	140017	WASHER, 3/8 LOCK	2
5	140028	WASHER, 3/8 FLAT	4
6	140136	BUSHING, .38X.50X.28	1
7	140208	SCREW, 1/4-20X1 HEXHD	2
8	140016	WASHER, 1/4 LOCK	2
9	140000	WASHER, 0.28B, 0.62D, .04, FLAT	4
10	140134	SLEEVE, .376D, .253B, .28L	2
11	230656	LEVER, VALVE	1
	1018486	LEVER, VALVE, FaST	1
12	32520	NUT, 1/4-20 HXJM	1
13	230661	PLATE, LOCK CONTROL HOUSING	1
14	611979	BRACKET, DRAIN HOSE HANGER	1
15	140027	WASHER, 5/16 FLAT	8
16	140015	WASHER, 5/16 LOCK	8
17	578237000	SCREW M8X1.25X18 HXHDCP	8
18	230654	HANDLE, BRUSH PRESSURE	1
19	140144	SLEEVE, .496D, .318B, .33L	1
20	140028	WASHER, 3/8 FLAT	9
21	140017	WASHER, 3/8 LOCK	5
22	2949.7	SCREW, 3/8- 16X7/8 HEXHD	1
23	230631	SPACER, SQUEEGEE LIFT	1
24	230659	LATCH, SQUEEGEE HANDLE	1
25	200817	GRIP, HANDLE .095X7/8X1-3/8	1
26	240208	KNOB, HEIGHT ADJUSTMENT	1
27	02994	SCREW, 3/8- 16X3/4 HEXHD	3
28	230658	HANDLE, SQUEEGEE LEVER	1
29	140016	WASHER, 1/4 LOCK	1

REF	PART #	DESCRIPTION	QTY.
30	01697	SCREW, 1/4-20X5/8 HEXHD	1
31	140231	SCREW, 3/8-16X1-1/2 HEXHD	1
32	230660	LINK, SQUEEGEE HANDLE	1
33	140136	BUSHING, .38X.50X.28	4
34	140133	BUSHING, SQUEEGEE MNT BRKT	4
35	230750	BRACKET, SQUEEGEE MOUNT	1
36	230297	PLATE, LOCK CONTROL HOUSING	1
37	59156	NUT, 3/8-16 NYLOCK	1
38	611982	WELDMENT, REAR PANEL	1
39	140237	SCREW, 1/2-13X1 HEXHD	1
40	140024	WASHER, 1/2 LOCK	1
41	140045	WASHER, 1/2 FLAT	2
42	140139	SLEEVE, .625D, .500B, .25L	1
43	230775	LATCH, BRUSH LIFT PEDAL	1
44	102560	PAD, NON-SLIP 1.62 SQ.	1
45	140136	BUSHING, .38X.50X.28 (INNER)	1
46	140145	SLEEVE, .625D, .50B, .25L (OUTER)	1
47	140423	SPRING, BRUSH PRESSURE	2
48	140525	NUT, 3/8-16 HEX	1
49	230944	BLOCK, VALVE STOP	1
50	230945	STUD, VALVE ADJUSTMENT STOP	1
51	1017449	BRACKET, SWITCH (FaST ONLY)	1
52	140890	SCREW, #10-24X0.50 TRSPHL (FaST ONLY)	2
53	140519	NUT, #10-24 KEP (FaST ONLY)	2
54	49539	SWITCH, SNAP ACTN, 250VAC 15A SPDT RLR (FaST ONLY)	1
55	578403000	SCREW, M3X0.5X20 PANPHL (FaST ONLY)	2
56	200301012	WASHER, M3 FLAT (FaST ONLY)	4
57	579211	NUT, M3X0.5 HEXLK (FaST ONLY)	2
58	600372	BOOT, SWITCH (FaST ONLY)	1

ELECTRICAL PANEL GROUP
CONJUNTO CONSOLA ELÉCTRICO



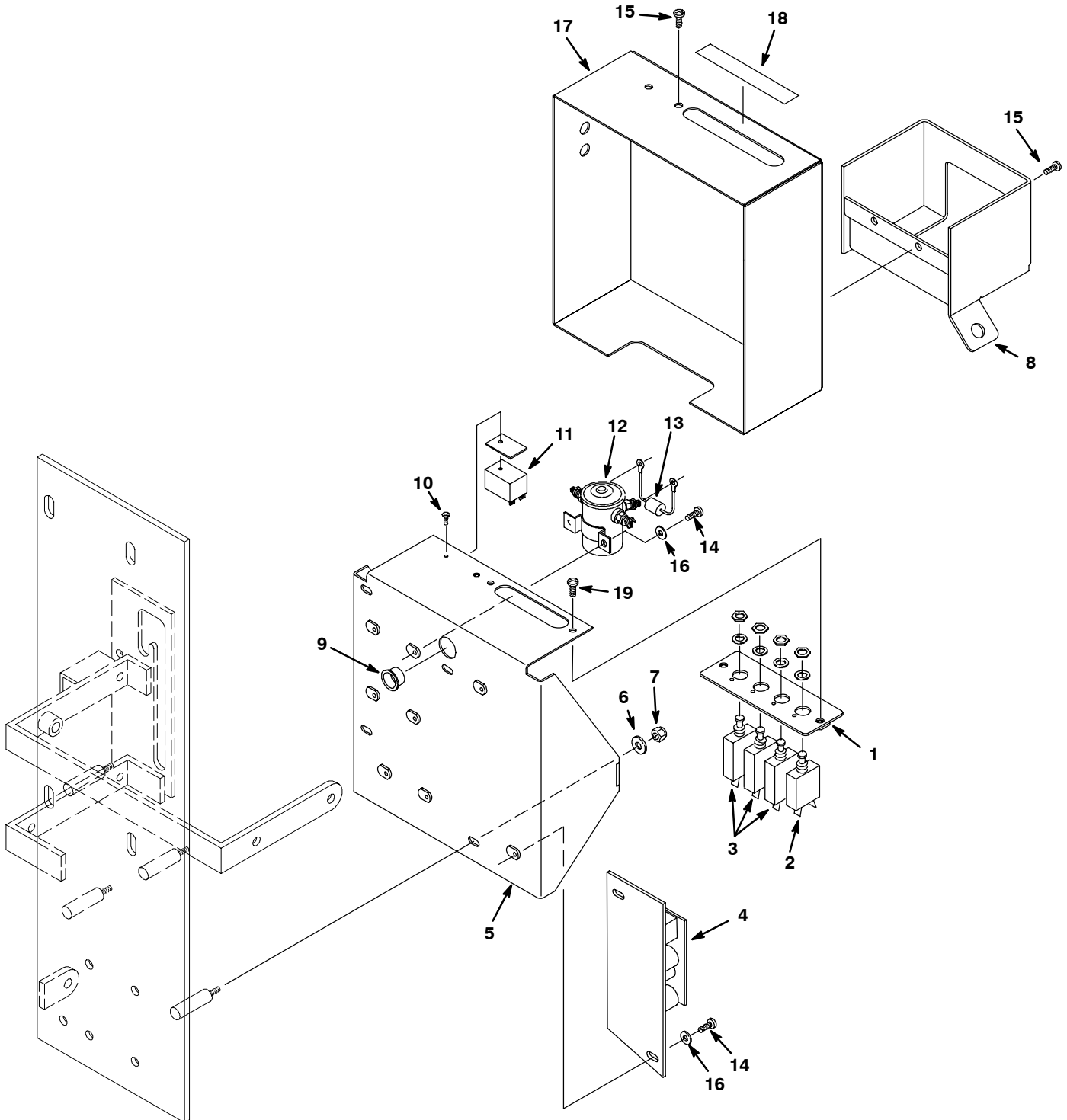
ELECTRICAL PANEL GROUP
CONJUNTO CONSOLA ELÉCTRICO

REF	PART #	DESCRIPTION	QTY.
1	630010	GASKET, TUBE-ADAPTER	1
2	630011	TUBE, VAC TRANS	1
3	630267	SPRING, TUBE-ADAPTER	1
4	608706	BRACKET, VAC TRANS	1
5	578237000	SCREW M8X1.25X18 HXHDCP	5
6	140015	WASHER, 5/16 LOCK	5
7	140027	WASHER, 5/16 FLAT	4
8	611982	WELDMENT, REAR PANEL	1
9	130104	BUSHING, SNAP .88ID - BLACK	1
10	140565	SCREW, #4-40X3/8 FLTPHL	1
11	130021	●FLASHER, 24VDC	1
12	605905	●SOLENOID, 24VDC	3
13	606404	●ASM, DIODE W/RING TERMINALS	3

REF	PART #	DESCRIPTION	QTY.
14	140197	SCREW, #10-24X3/8 TRSPHL	10
15	630016	RING, RETAINING	1
16	19066	WASHER, #10 FLAT	8
17	611756	COVER, ELECTRICAL PANEL	1
18	600651	DECAL, CIRCUIT BREAKER CE	1
19	140197	SCREW, #10-24X3/8 TRSPHL	2
20	230553	BRACKET, CIRCUIT BREAKER	1
21	130755	●BREAKER, CIRCUIT 10A	1
22	130756	●BREAKER, CIRCUIT 35A	3
23	190959	ASM, SPEED CONTROL	1
24	230552	PANEL, ELECTRICAL	1
25	140000	WASHER, 0.28B, 0.62D, .04, FLAT	4
26	08712	NUT, M6X1.0 NYLOCK	4

- RECOMMENDED STOCK ITEMS / ARTICULOS RECOMENDADOS PARA MANTENER EN EXISTENCIA

ELECTRICAL PANEL GROUP - FaST MODEL
CONJUNTO CONSOLA ELÉCTRICO - MODELO FaST



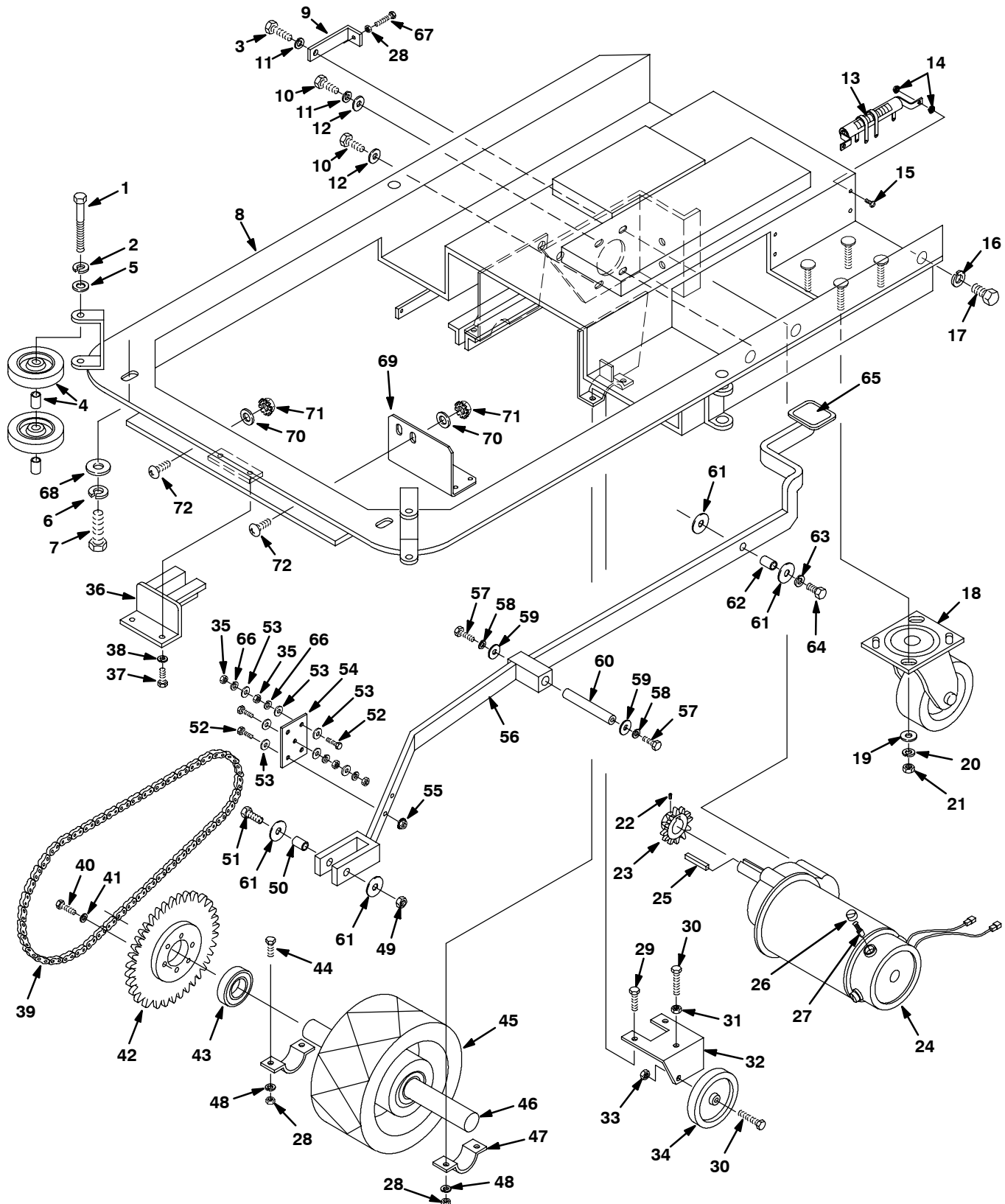
ELECTRICAL PANEL GROUP - FaST MODEL
CONJUNTO CONSOLA ELÉCTRICO - MODELO FaST

REF	PART #	DESCRIPTION	QTY.
1	1018628	BRACKET, CIRCUIT BREAKER	1
2	130755	●BREAKER, CIRCUIT 10A	1
3	130756	●BREAKER, CIRCUIT 35A	3
4	190959	ASM, SPEED CONTROL	1
5	1017119	PANEL, ELECTRICAL	1
6	140000	WASHER, 1/4 FLAT	4
7	08712	NUT, M6X1.0 NYLOCK	4
8	1016745	BRACKET, BOX, DETERGENT	1
9	130104	BUSHING, SNAP .88ID - BLACK	1
10	140565	SCREW, #4-40X3/8 FLTPHL	1

REF	PART #	DESCRIPTION	QTY.
11	130021	●FLASHER, 24VDC	1
12	605905	●SOLENOID, 24VDC	3
13	606404	●ASM, DIODE W/RING TERMINALS	3
14	140197	SCREW, #10-24X3/8 TRSPHL	8
15	605975	SCREW, TRS, #10-24X0.50 SEM	3
16	19066	WASHER, #10 FLAT	8
17	1016968	COVER, ELECTRICAL PANEL	1
18	600651	DECAL, CIRCUIT BREAKER CE	1
19	140197	SCREW, #10-24X3/8 TRSPHL	2

- RECOMMENDED STOCK ITEMS / ARTICULOS RECOMENDADOS PARA MANTENER EN EXISTENCIA

DRIVE WHEEL GROUP
CONJUNTO RUEDA DE MANDO



DRIVE WHEEL GROUP
CONJUNTO RUEDA DE MANDO

REF	PART #	DESCRIPTION	QTY.
1	600349	SCREW, 5/16-18X2-3/4 HEXHD	2
2	140015	WASHER, 5/16 LOCK	2
3	611048	SCREW, 3/8-16X1-1/4 HEXHD	1
4	1014918	●WHEEL, RUBBER, 3"X1"	4
5	140027	WASHER, 5/16 FLAT	2
6	140333	WASHER, M10 LOCK	2
7	140276	SCREW, M10X1.5X16 HEXHD	2
8	230932.BK	CHASSIS, WELDMENT	1
	1016124	CHASSIS, WELDMENT, FaST	1
9	230655	BRACKET, DRIVE MTR TENSION	1
10	140202	SCREW, 3/8-16X1 HEXHD	3
11	140017	WASHER, 3/8 LOCK	3
12	140028	WASHER, 3/8 FLAT	3
13	130713	●RESISTOR, 100 WATT .9 OHM	2
14	140519	NUT, #10-24 KEP	8
15	140900	SCREW, #10-24X3/4 TRSPHL	4
16	140024	WASHER, 1/2 LOCK	3
17	09745	SCREW, M12X1.75X25 HEXHD	3
18	103002	●CASTER, 4" SWIVEL	2
19	140036	WASHER, 3/8 FLAT	8
20	140333	WASHER, M10 LOCK	8
21	140285	NUT, M10X1.5 HEX	8
22	140859	SCREW, 1/4-20X1/4 SET	1
23	240071	SPROCKET, DRIVE MOTOR #40-10	1
▽ 24	613422	●MOTOR, DRIVE, 24V, .5HP	1
▲ 25	140632	KEY, 1/4X1/4X1"	1
▲ 26	613424	●CAP, CARBON BRUSH	4
▲ 27	130508	●CARBON BRUSH	4
28	140525	NUT, 3/8-16 HEX	5
29	611048	SCREW, 3/8-16X1-1/4 HEXHD	2
30	140233	SCREW, 3/8-16X1-3/4 HEXHD	2
31	140525	NUT, 3/8-16 HEX	1
32	230796	BRACKET, WHEEL SUPPORT	1
33	140525	NUT, 3/8-16 HEX	1
34	103007	WHEEL, 4" X 1"	1

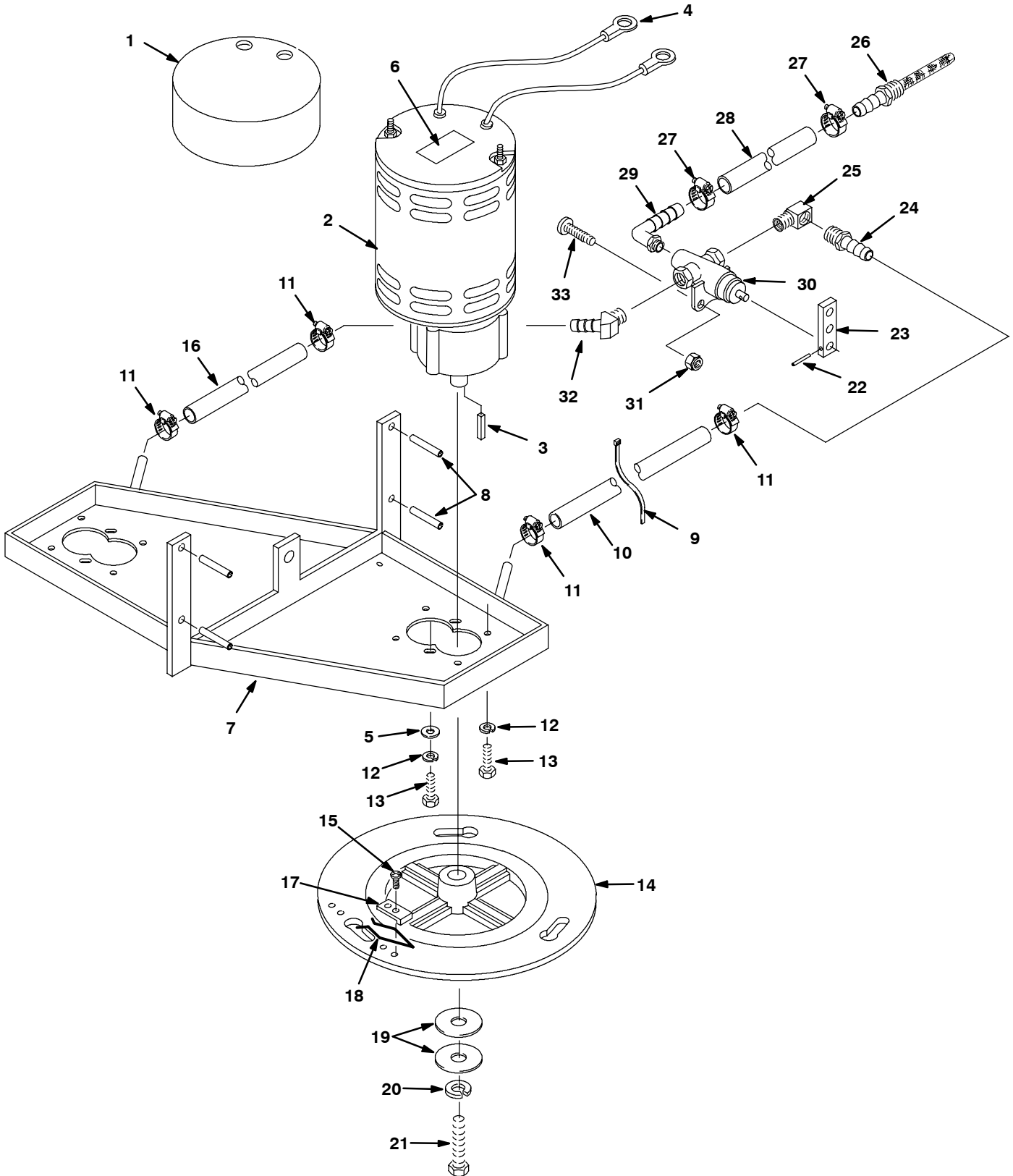
▽ ASSEMBLY / CONJUNTO

▲ INCLUDED IN ASSEMBLY / INCLUIDO EN EL CONJUNTO

● RECOMMENDED STOCK ITEMS / ARTICULOS RECOMENDADOS PARA
MANTENER EN EXISTENCIA

REF	PART #	DESCRIPTION	QTY.
35	140510	NUT, 1/4-20 HEXJAM	6
36	230941	BRACKET, FRONT LIFT GUIDE	1
37	140015	WASHER, 5/16 LOCK	2
38	15675	SCREW, M8X1.25X16 HEXHD	2
39	606426	●KIT, CHAIN & LINKS	1
40	02991	SCREW, 5/16-18X3/4 HEXHD	6
41	140015	WASHER, 5/16 LOCK	6
42	240070	SPROCKET, #40-39 DRIVE WHEEL	1
43	140124	BEARING	2
44	611048	SCREW, 3/8-16X1-1/4 HEXHD	2
45	103058	WHEEL, 8" DRIVE	1
46	230205	SHAFT, DRIVE WHEEL	1
47	611980	CLAMP, AXLE	2
48	140017	WASHER, 3/8 LOCK	4
49	140509	NUT, 1/2-13 HEXJAM	1
50	604646	SLEEVE, .625D, .501B, .66L	1
51	140235	SCREW, 1/2-13X2 HEXHD	1
52	140208	SCREW, 1/4-20X1 HEXHD	5
53	140000	WASHER, 0.28B, 0.62D, .04, FLAT	8
54	230554	BOARD, CONNECTION	1
55	140524	NUT, 1/4-20 KEP	2
56	611396	PEDAL, LIFT, SCRUBHEAD	1
57	15678	SCREW, M6X1.0X16 HEXHD	2
58	140016	WASHER, 1/4 LOCK	2
59	140003	WASHER, 1/4X1 FENDER	2
60	230940	PIN, LIFT ARM PIVOT	1
61	140045	WASHER, 1/2 FLAT	2
62	140139	SLEEVE, .625D, .500B, .25L	1
63	140024	WASHER, 1/2 LOCK	1
64	140237	SCREW, 1/2-13X1 HEXHD	1
65	102560	PAD, NON-SLIP 1.62 SQ.	1
66	140016	WASHER, 1/4 LOCK	6
67	140231	SCREW, 3/8-16X1-1/2 HEXHD	1
68	140028	WASHER, 3/8 FLAT	2
69	1017046	BRACKET, MTG, PUMP (FaST MACHINE ONLY)	1
70	140000	WASHER, 0.28B, 0.62D, .04, FLAT (FaST MACHINE ONLY)	3
71	140524	NUT, 1/4-20 KEP (FaST MACHINE ONLY)	3
72	140824	SCREW, .25-20X0.62 TRSPHL (FaST MACHINE ONLY)	3

BRUSH DRIVE AND SOLUTION HOSE GROUP
ACCIONAMIENTO DEL CEPILLO Y GRUPO DE MANGUERA DE SOLUCIÓN



BRUSH DRIVE AND SOLUTION HOSE GROUP
ACCIONAMIENTO DEL CEPILLO Y GRUPO DE MANGUERA DE SOLUCIÓN

REF	PART #	DESCRIPTION	QTY.
1	100764	COVER, BRUSH MOTOR	2
∇ 2	130491	●MOTOR, W/GEARBOX 3/4HP IMP	2
▲	190970	●CARBON BRUSH	4
▲ 3	140632	KEY, 1/4X1/4X1"	1
4	281001014	TERMINAL, RING	4
5	140028	WASHER, 3/8 FLAT	4
6	606243	TAPE, DOUBLE STICK	1
7	230691	BRACKET, BRUSH MOTOR MOUNT	1
8	140618	PIN, ROLL 1/4 X 1-1/2	4
9	130041	WIRE TIE	1
10	606248	HOSE, 3/8ID X 17"	1
11	54333	CLAMP, HOSE 5/16-7/8	4
12	140017	WASHER, 3/8 LOCK	8
13	140202	SCREW, 3/8-16X1 HEXHD	8
14	606335	PLATE, DRIVE	2
15	606915	SCREW, #10-16X3/8 HIGH-LOW	4
16	613440	HOSE, 3/8ID X 8"	1
17	230651	CLAMP, BRUSH PLATE	2

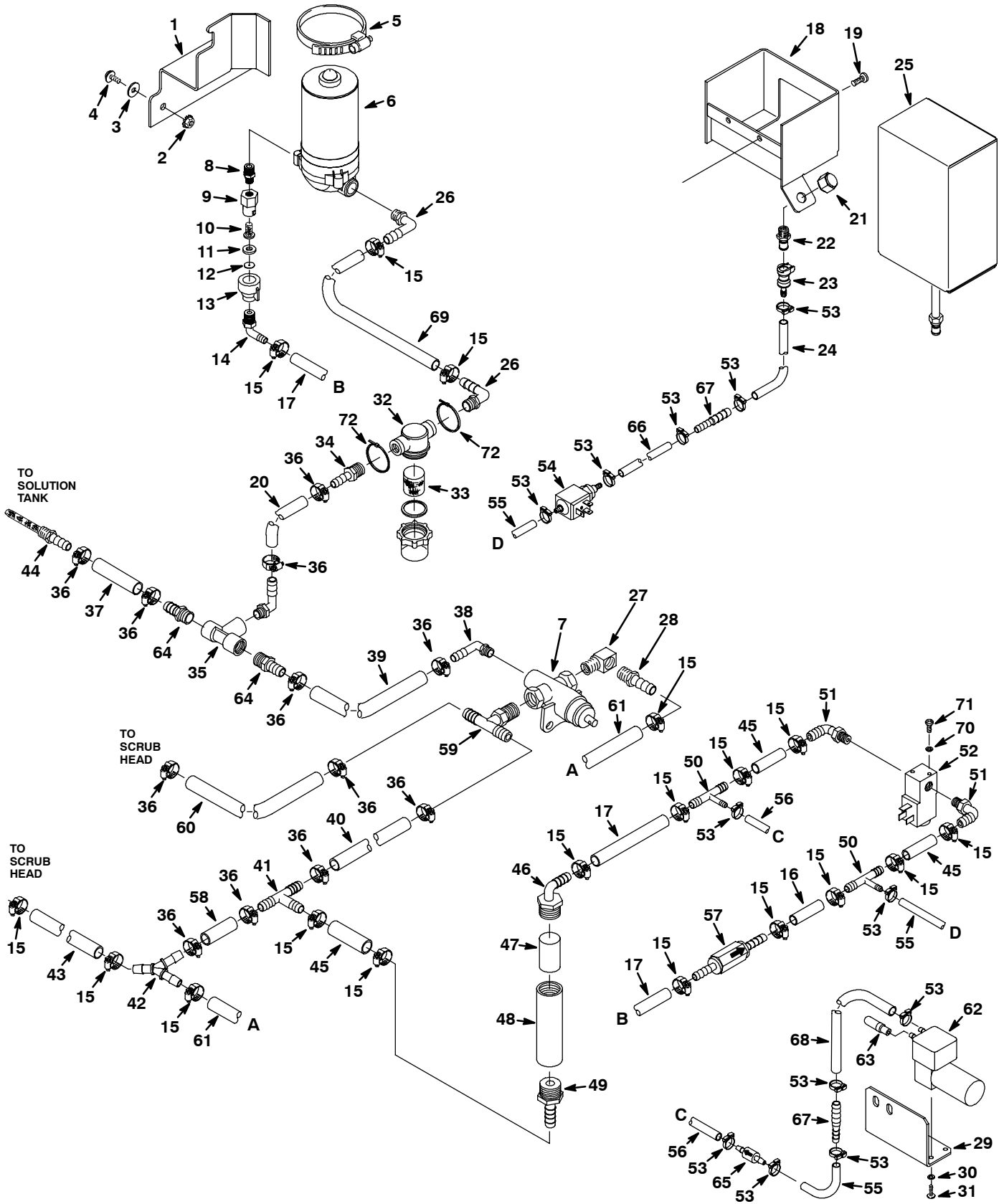
REF	PART #	DESCRIPTION	QTY.
18	140417	CLIP, SPRING	2
19	25732	WASHER, 1.25 X .359 X .093	4
20	140015	WASHER, 5/16 LOCK	2
21	140219	SCREW, 5/16-18X1 HEXHD	2
∇	501216	ASSEMBLY, VALVE	1
▲ 22	140616	PIN, ROLL 3/32DIAX5/8	1
▲ 23	230657	ARM, VALVE	1
▲ 24	150516	FITTING, STR, BM06/PF04	1
▲ 25	27048	FITTING, E90, PM04/PF04	1
26	180640	FILTER, SCREEN, 012 MESH	1
27	54333	CLAMP, HOSE 5/16-7/8	2
28	605098	TUBING, 5/8ID X 1.13FT.	1
▲ 29	150409	FITTING, 1/4MX5/8H ELBOW 90	1
▲ 30	210259	VALVE, BALL, 3-WAY, 05PF	1
31	140552	NUT, #10-24 NYLCK	2
▲ 32	605394	FITTING, E45, BM06/PM04	1
33	140895	SCREW, #10-24X3/4 RNDPHL	2

∇ ASSEMBLY / CONJUNTO

▲ INCLUDED IN ASSEMBLY / INCLUIDO EN EL CONJUNTO

● RECOMMENDED STOCK ITEMS / ARTICULOS RECOMENDADOS PARA
MANTENER EN EXISTENCIA

SOLUTION GROUP - FaST MODEL
GRUPO DE SOLUCIÓN - MODELO FaST



SOLUTION GROUP - FaST MODEL
GRUPO DE SOLUCIÓN - MODELO FaST

REF	PART #	DESCRIPTION	QTY.	
1	1002603	BRACKET, PUMP, SOLUTION	1	
2	140524	NUT, 1/4-20 KEP	2	
3	140000	WASHER, FLAT, 0.28B 0.62D	2	
4	140824	SCREW, .25-20X0.62 TRS PHL	2	
5	43555	CLAMP, HOSE 1.62-3.5OD	1	
∇	6	1002345	PUMP, SOLUTION ELE 24VDC	1
▲	78951	TERMINAL, FEMALE	2	
▲	391433	PUMP HEAD	1	
▲	78950	CONNECTOR	1	
▲	78952	LOCK	1	
▲	10917	SEAL	2	
7	210259	VALVE, BALL, 3-WAY, 05PF	1	
8	1005219	FITTING, PLSTC, STR PM04/PM06	1	
∇	1005522	ASSY, FITTING, CAP, 0.040B, PF04	1	
▲	9	1005507	FITTING, PLSTC, BODY SPRAY	1
▲	10	1006447	●STRAINER, ORIFICE	1
▲	11	1005508	WASHER, .034B 0.75D 0.12	1
▲	12	1005510	PLATE, ORIFICE, 0.040ID	1
▲	13	1005506	FITTING, PLSTC CAP SPRAY	1
14	57248	FITTING, PLSTC E90 BM06/PM04	1	
15	54333	CLAMP, HOSE, 0.31-0.88D	18	
16	613724	HOSE, PVC, BRD, 0.38IDX5	1	
17	606249	HOSE, PVC, BRD, .38IDX7	2	
18	1016745	BRACKET, BOX, DETGT.	1	
19	605975	SCREW, TRS, #10-24X0.50 SEM	2	
20	613724	HOSE, PVC, BRD, 0.38IDX9.5	1	
21	1005435	FITTING, PLSTC, CAP, PF04	1	
22	1006206	COUPLING, MALE .25NPT	1	
23	1006204	COUPLING, FEM W/VALVE .25 BRB	1	
24	613842	HOSE, PVC, 0.25IDX12.5	1	
25	1005232	CONCENTRATE, 2-PACK	-	
	1005249	CONCENTRATE, 6-PACK	-	
26	1005630	FITTING, PLSTC E90 BM06/PM06	3	
27	27048	FITTING, BRS E90 PM04/PF04	1	
28	150516	FITTING, BRS STR BM06/PM04	1	
29	1017046	BRACKET, MTG, PUMP	1	
30	19066	WASHER, #10 FLAT	2	
31	577031000	SCREW, #8X1/2 PANPHL	2	
∇	32	1005302	FILTER, INLINE, PF06/PF06 80 MESH	1
▲	33	1005304	●SCREEN, FILTER, 80 MESH	1
34	61118	FITTING, PLSTC STR, BM06/PM06	1	

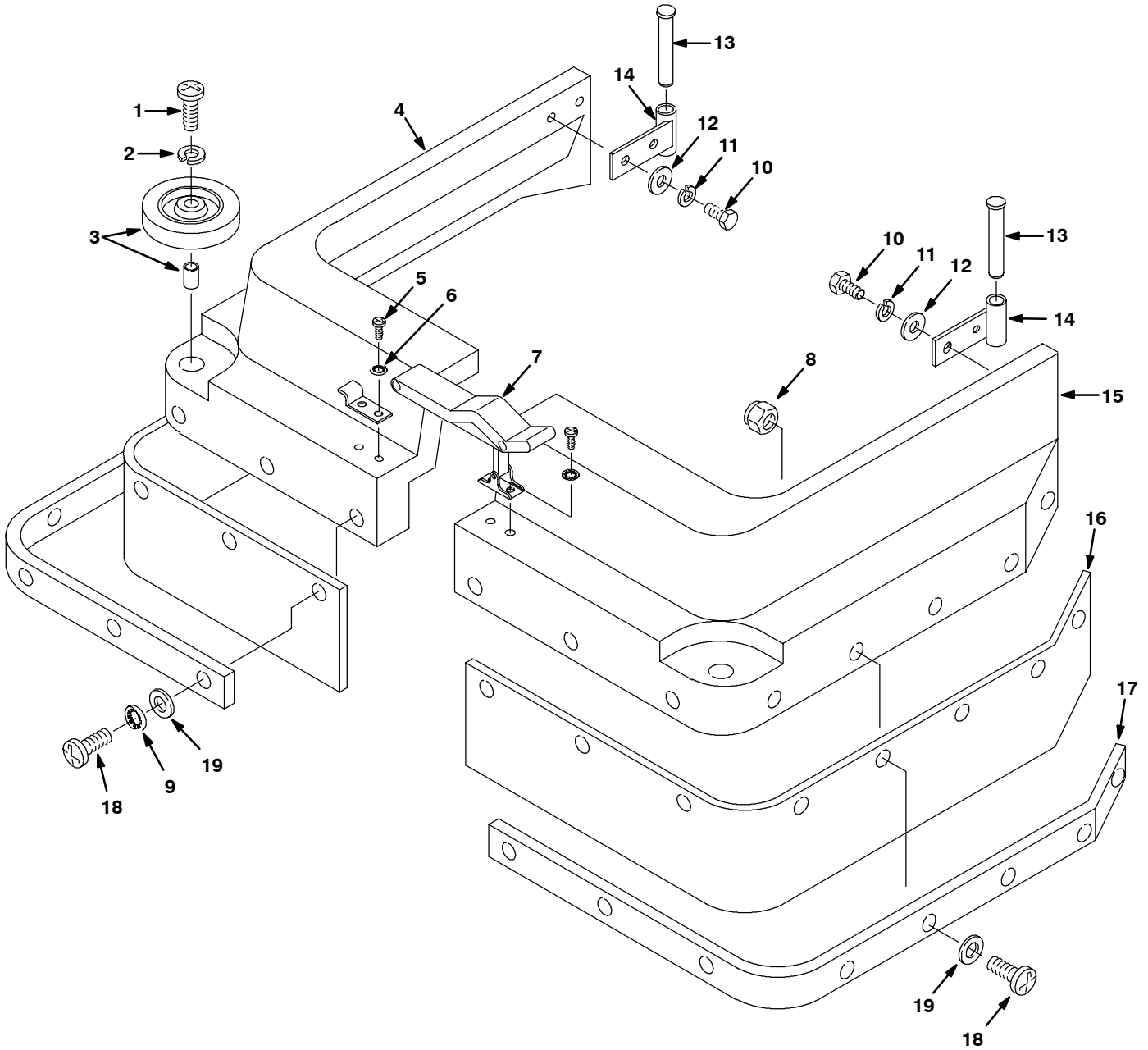
∇ ASSEMBLY / CONJUNTO

▲ INCLUDED IN ASSEMBLY / INCLUIDO EN EL CONJUNTO

● RECOMMENDED STOCK ITEMS / ARTICULOS RECOMENDADOS

REF	PART #	DESCRIPTION	QTY.	
35	1017319	FITTING, PLSTC TEE, PF06/PF06/PF06	1	
36	54333	CLAMP, HOSE, 0.31-0.88D	11	
37	605100	HOSE, 5/8IDX2	1	
38	150409	FITTING, PLSTC, E90 PM04/BM10	1	
39	605098	HOSE, 5/8IDX8.5	1	
40	613724	HOSE, PVC, BRD, 0.38IDX8.5	1	
41	160310	FITTING, TEE BM06/BM06/BM06	1	
42	1017255	FITTING, PLSTC Y BM06/BM06/BM06	1	
43	613717	HOSE, PVC, BRD, 3/8IDX2	1	
44	180640	FILTER, SCREEN, 012 MESH	1	
45	613717	HOSE, PVC BRD, 3/8IDX2	3	
46	79484	FITTING, PLSTC E90 BM06/PM12	1	
47	1002789	FILTER, FOAM	3	
48	1005086	TUBE, PLASTIC 25MM ID	1	
49	73467	FITTING, STR BM06/PM12 NYLON	1	
50	61456	FITTING, TEE BM06/BM03/BM06	2	
51	1017938	FITTING, BRS E90 BM06/PM02	2	
52	1002530	VALVE, SHUTOFF ELECT 24VDC	1	
53	1014575	CLAMP, HOSE, PLSTC	12	
54	1005413	PUMP, CONCENTRATE 24VDC	1	
55	613720	HOSE, PVC, 0.19IDX2	2	
56	613720	HOSE, PVC, 0.19IDX2	1	
57	210044	VALVE, CHECK BM06/BM06	1	
58	606249	HOSE, 3/8IDX5/8ODX8 MAYON	1	
59	1017340	FITTING, PLSTC TEE, BM06/PM04/BM06	1	
60	606667	HOSE, 3/8IDX5/8ODX10	1	
61	613722	HOSE, PVC BRD, 0.38IDX14	1	
∇	62	1002344	PUMP, AIR	1
▲	391449	KIT, DIAPHRAGM	1	
▲	78950	CONNECTOR	1	
▲	78952	LOCK	1	
▲	25837	TERMINAL, FEMALE	2	
▲	25830	SEAL	2	
63	1005255	FILTER, ASM AIR	1	
64	1013900	FITTING, PLSTC STR, BM10/PM06	2	
65	1005327	FITTING, CVALVE BM03/BM03	1	
66	1006420	HOSE, PVC, 0.19IDX34	1	
67	1005324	FITTING, PLSTC STR BM03/BM04	2	
68	613727	HOSE, PVC, 0.25IDX2	1	
69	606249	HOSE, 3/8IDX3	1	
70	19066	WASHER, #10 FLAT	2	
71	606915	SCREW, #10-16X3/8 HIGH-LOW	2	
72	130041	TIE, CABLE	2	

SKIRT GROUP
CONJUNTO JUEGO



SKIRT GROUP
CONJUNTO JUEGO

REF	PART #	DESCRIPTION	QTY.
∇	611016	ASSEMBLY, SKIRT, RIGHT SIDE GREEN (2701)	1
∇	601334	ASSEMBLY, SKIRT, RIGHT SIDE DK. GRAY (2701)	1
∇	611018	ASSEMBLY, SKIRT, RIGHT SIDE GREEN (3301)	1
∇	601336	ASSEMBLY, SKIRT, RIGHT SIDE DK. GRAY (3301)	1
∇	611017	ASSEMBLY, SKIRT, LEFT SIDE GREEN (2701)	1
∇	601333	ASSEMBLY, SKIRT, LEFT SIDE DK. GRAY (2701)	1
∇	611019	ASSEMBLY, SKIRT, LEFT SIDE GREEN (3301)	1
∇	601335	ASSEMBLY, SKIRT, LEFT SIDE DK. GRAY (3301)	1
▲▲	1	603154 SCREW, M8X1.25X40 PANPHL	1
▲▲	2	140015 WASHER, 5/16 LOCK	1
▲▲	3	1014918 ●WHEEL, RUBBER, 3"X1"	1
▲	4	608699 SKIRT, RIGHT SIDE GREEN (2701)	1
		101072 SKIRT, RIGHT SIDE DK. GRAY (2701)	1
		608288 SKIRT, RIGHT SIDE GREEN (3301)	1
		101074 SKIRT, RIGHT SIDE DK. GRAY (3301)	1
▲▲	5	200070340 SCREW, M4X0.7X8 PANPHL	2
▲▲	6	02938 WASHER, #8 LOCK	2
▲	7	140932 LATCH, HOOD W/KEEPER	1

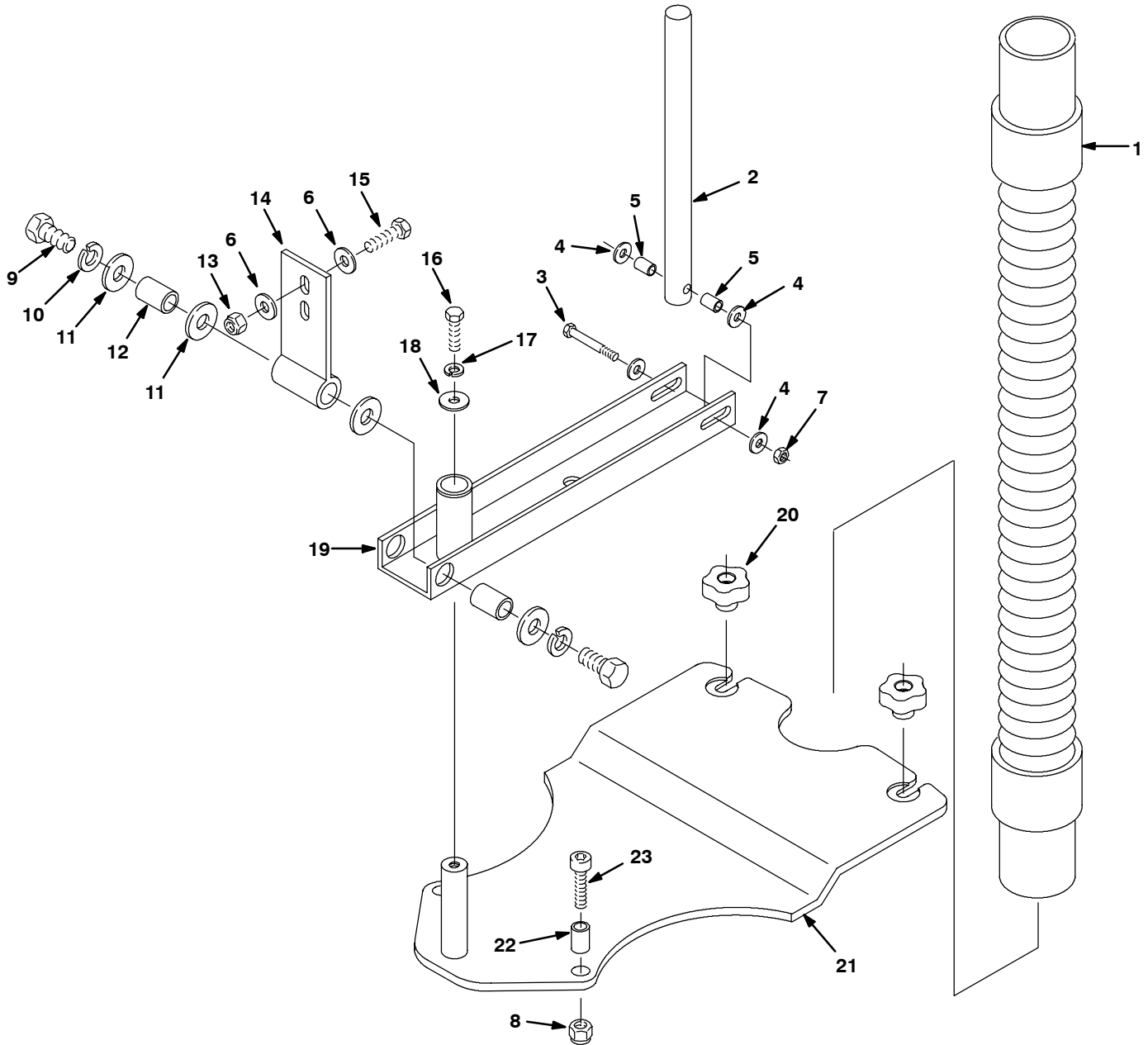
REF	PART #	DESCRIPTION	QTY.
▲▲	8	09739 NUT, M5X0.8 NYLOCK	3-6
▲▲	9	07514 WASHER, #10 LOCK	6-8
▲▲	10	578237000 SCREW M8X1.25X18 HXHDCP	2
▲▲	11	140015 WASHER, 5/16 LOCK	2
▲▲	12	140027 WASHER, 5/16 FLAT	2
	13	230943 PIN, SKIRT	2
▲▲	14	230942 BRACKET, MOUNTING, SKIRT	1
▲	15	608697 SKIRT, LEFT SIDE GREEN (2701)	1
		101071 SKIRT, LEFT SIDE DK. GRAY (2701)	1
		608286 SKIRT, LEFT SIDE GREEN (3301)	1
		101073 SKIRT, LEFT SIDE DK. GRAY (3301)	1
▲▲	16	240277 SPLASH GUARD (2701)	1
		240276 SPLASH GUARD (3301)	1
▲▲	17	230935.BK STRAP, SPLASH GUARD (2701)	1
		230934.BK STRAP, SPLASH GUARD (3301)	1
▲▲	18	578144000 SCREW, M5X0.8X16 PANPHL	11-12
▲▲	19	140011 WASHER, 3/16 FLAT	11-12

∇ ASSEMBLY / CONJUNTO

▲ INCLUDED IN ASSEMBLY / INCLUIDO EN EL CONJUNTO

● RECOMMENDED STOCK ITEMS / ARTICULOS RECOMENDADOS PARA MANTENER EN EXISTENCIA

SQUEEGEE CONTROL GROUP
GRUPO DE CONTROL DE LA ESCOBILLA DE GOMA



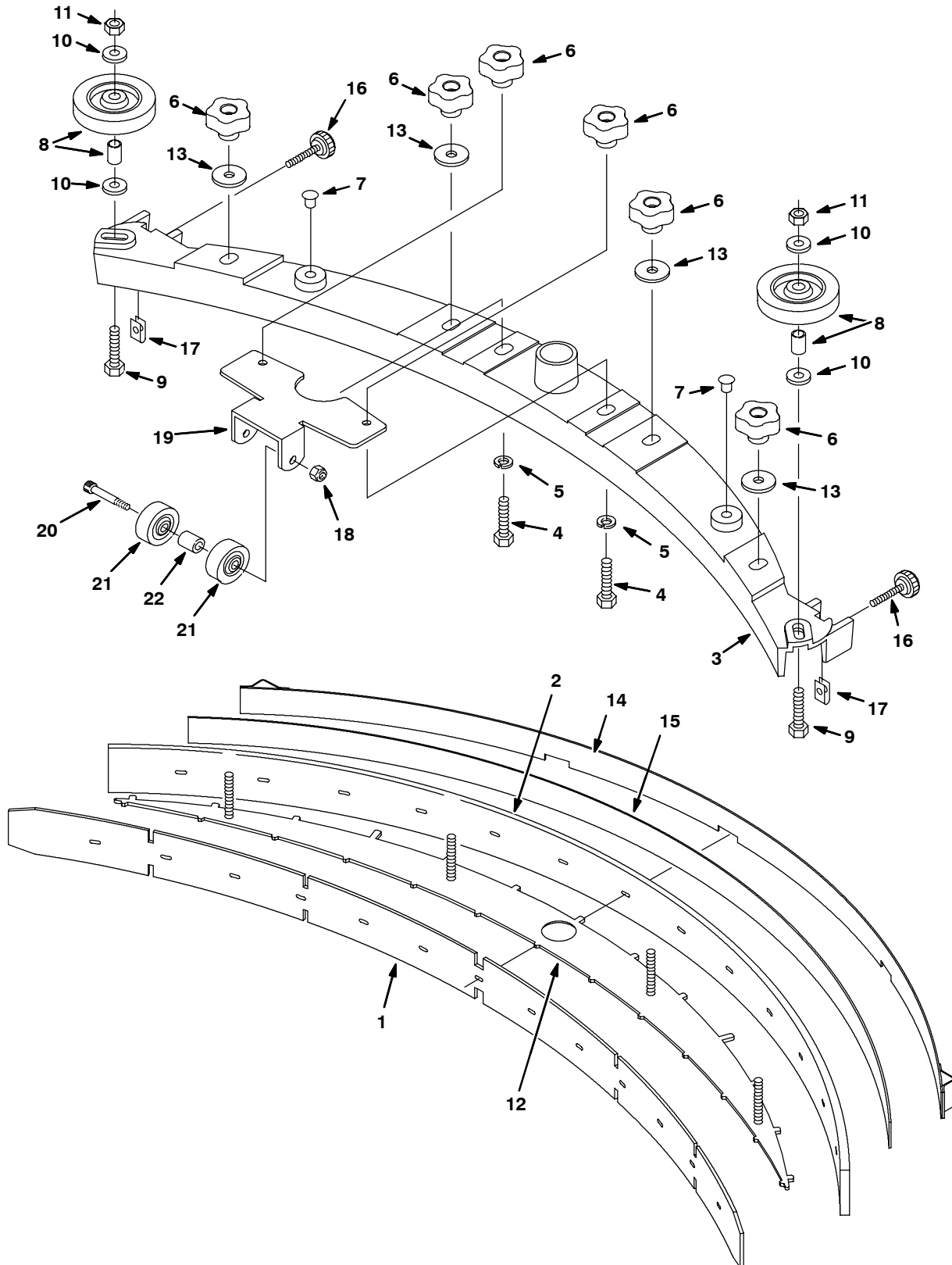
SQUEEGEE CONTROL GROUP
GRUPO DE CONTROL DE LA ESCOBILLA DE GOMA

REF	PART #	DESCRIPTION	QTY.
1	611847	●HOSE, VAC 1.5 X 30" W/ CUFFS	1
2	230441	SHAFT, LIFT	1
3	140209	SCREW, 1/4-20X2-1/2 HEXHD	1
4	140000	WASHER, 0.28B, 0.62D, .04, FLAT	4
5	605422	BEARING SLEEVE	2
6	140027	WASHER, 5/16 FLAT	4
7	41169	NUT, 1/4-20 NYLK	1
8	08714	NUT, M10X1.5 HEXLK	2
9	140237	SCREW, 1/2-13X1 HEXHD	2
10	140024	WASHER, 1/2 LOCK	2
11	3148.816	WASHER, 1/2 FLAT	4
12	140139	SLEEVE, .625D, .500B, .25L	2

REF	PART #	DESCRIPTION	QTY.
13	140546	NUT, 5/16-18 NYLCK	2
14	611777	BRACKET, SQUEEGEE PIVOT	1
15	140219	SCREW, 5/16-18X1 HEXHD	2
16	01697	SCREW, 1/4-20X5/8 HEXHD	1
17	140016	WASHER, 1/4 LOCK	1
18	140003	WASHER, 1/4 X 1 FENDER	1
19	230440.BK	BRACKET, SQUEEGEE PIVOT	1
20	1011094	●KNOB	2
21	611397	BRACKET, MOUNT, SQUEEGEE	1
22	390879	SLEEVE, .625D, .406B, .38L	2
23	611476	SCREW, M10X1.5X30, SHCS	2

● RECOMMENDED STOCK ITEMS / ARTICULOS RECOMENDADOS PARA
MANTENER EN EXISTENCIA

CURVED SQUEEGEE GROUP
CONJUNTO PALETA ENCORUADO



CURVED SQUEEGEE GROUP
CONJUNTO PALETA ENCORUADO

REF	PART #	DESCRIPTION	QTY.
∇	612029	ASM., SQUEEGEE LINATEX & GUM RUBBER 965MM (38 IN) (2701 MODEL)	1
	612030	ASM., SQUEEGEE LINATEX & GUM RUBBER 1067MM (42 IN) (3301 MODEL)	1
∇	609114	●KIT, SQUEEGEE BLADES, LINATEX & GUM RUBBER 965MM (38 IN) (2701 MODEL)	1
▲ 1	222381	●BLADE, FRONT SQUEEGEE, LINATEX RED 965MM (38 IN) (2701 MODEL)	1
▲ 2	609056	●BLADE, REAR SQUEEGEE GUM RUBBER TAN 965MM (38 IN) (2701 MODEL)	1
▲∇	609115	●KIT, SQUEEGEE BLADES, LINATEX 965MM (38 IN) (2701 MODEL)	1
▲ 1	222381	●BLADE, FRONT SQUEEGEE, LINATEX RED 965MM (38 IN) (2701 MODEL)	1
▲ 2	609055	●BLADE, REAR SQUEEGEE LINATEX RED 940MM (37 IN) (2701 MODEL)	1
▲ 1	222241	●BLADE, FRONT SQUEEGEE, LINATEX RED 1067MM (42 IN) (3301 MODEL)	1
▲ 2	611402	●BLADE, REAR SQUEEGEE LINATEX RED 1067MM (42 IN) (3301 MODEL)	1
1	222391	●BLADE, FRONT SQUEEGEE URETHANE WHITE 965MM (38 IN) (2701 MODEL)	1
	222392	●BLADE, FRONT SQUEEGEE URETHANE WHITE 1067MM (42 IN) (3301 MODEL)	1
2	611713	●BLADE, REAR SQUEEGEE URETHANE WHITE 965MM (38 IN) (2701 MODEL)	1
	611457	●BLADE, REAR SQUEEGEE URETHANE WHITE 1067MM (42 IN) (3301 MODEL)	1
	611405	●BLADE, REAR SQUEEGEE GUM RUBBER TAN 1067MM (42 IN) (3301 MODEL)	1
1	222385	●BLADE, FRONT SQUEEGEE GUM RUBBER TAN 965MM (38 IN) (2701 MODEL - FOR GROUTED TILE FLOOR)	1
	222384	●BLADE, FRONT SQUEEGEE GUM RUBBER TAN 1067MM (42 IN) (3301 MODEL - FOR GROUTED TILE FLOOR)	1

REF	PART #	DESCRIPTION	QTY.
▲ 3	611661	CASTING, SQUEEGEE (2701 MODEL)	1
	611401	CASTING, SQUEEGEE (3301 MODEL)	1
▲ 4	140799	SCREW, 5/16-18X1-1/2 TRSPHL	2
▲ 5	140015	WASHER, 5/16 LOCK	2
▲ 6	1011094	●KNOB	6
▲ 7	130164	PLUG, DOME 3/8"	2
▲ 8	1014918	●WHEEL, RUBBER, 3"X1"	2
▲ 9	222505	SCREW, M8X1.25X45 HEXHD	2
▲ 10	140027	WASHER, 5/16 FLAT	4
▲ 11	08709	NUT, M8 HEXLCK	2
▲ 12	222368	PLATE, BLADE RETAINER (2701 MODEL)	1
	222240	PLATE, BLADE RETAINER (3301 MODEL)	1
▲ 13	140055	WASHER, .343X1.25X.051-.080	4
▲ 14	222378	BAND WELDMENT, SQUEEGEE BLADE (2701 MODEL)	1
	222243	BAND WELDMENT, SQUEEGEE BLADE (3301 MODEL)	1
▲ 15	609110	SPACER, SQUEEGEE * (2701 MODEL)	1
	611398	SPACER, SQUEEGEE * (3301 MODEL)	1
▲ 16	222794	●KNOB, 1/4-20X1-1/2	2
▲ 17	82138	NUT, SPEED RETAINER .25-20	2
▲ 18	601108000	NUT, 5/16-18 HEXLCK THIN	1
▲ 19	611399	BRACKET, ROLLER, SQUEEGEE	1
▲ 20	603144	SCREW, 5/16-18 SHOULDER	1
▲ 21	630477	WHEEL, 2.00D X .38W	2
▲ 22	603368	SPACER, .39X.75X.75 NYLON	1

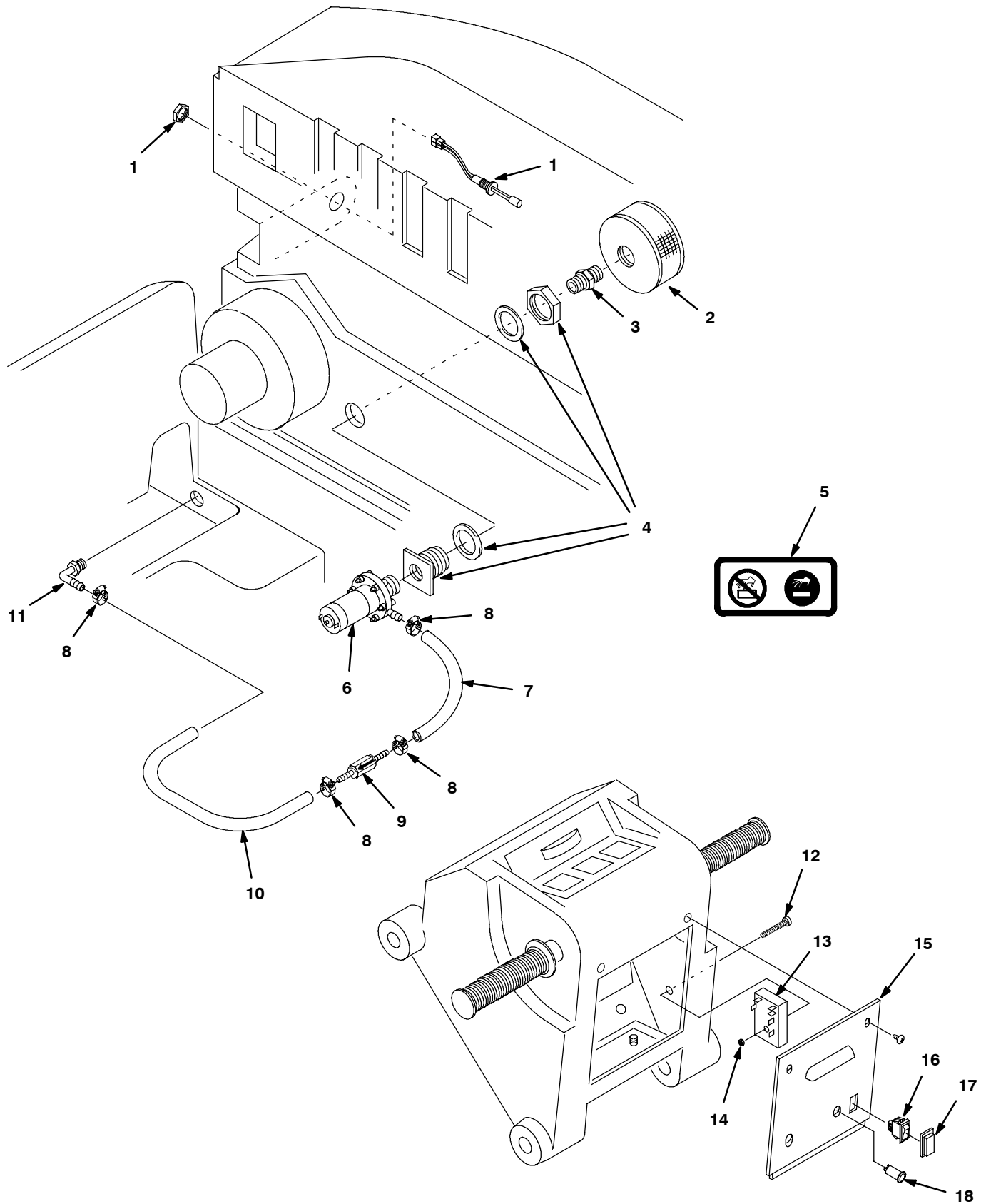
∇ ASSEMBLY / CONJUNTO

▲ INCLUDED IN ASSEMBLY / INCLUIDO EN EL CONJUNTO

● RECOMMENDED STOCK ITEMS / ARTICULOS RECOMENDADOS PARA MANTENER EN EXISTENCIA

* NOTE: TWO SQUEEGEE SPACERS ARE REQUIRED WITH REAR URETHANE BLADES #611713 & 611457 / SE REQUIEREN DOS SEPARADORES DE ESCOBILLA CON LA HOJA DE URETANO #611713 Y 611457.

ES (EXTENDED SCRUB) KIT
ES (FREGADO PROLONGADO) JUEGO



**ES (EXTENDED SCRUB) KIT
ES (FREGADO PROLONGADO) JUEGO**

REF	PART #	DESCRIPTION	QTY.
∇	605555	*KIT, ES (EXTENDED SCRUB)	1
▲ 1	603166	SENSOR, LEVEL, LIQUID	1
▲ 2	630138	FILTER, SCREEN, 100-MESH	1
▲ 3	630385	FITTING, STR, PM12/PM12	1
▲ 4	601490	FITTING, 3/4NPT BULKHEAD	1
▲ 5	630440	DECAL, FILTER REMOVE	1
▲ 6	630136	PUMP, SOLUTION 24VDC	1
▲ 7	560497	TUBING, 3/8IDX.5'	1
▲ 8	54333	CLAMP, HOSE, 0.31-0.88D	4
▲ 9	210044	VALVE, CHECK, 1PSI 06BM/06BM	1

REF	PART #	DESCRIPTION	QTY.
▲ 10	607103	TUBING, 3/8IDX1.25'	1
▲ 11	150415	FITTING, E90, PM04/BM06	1
▲ 12	578008000	SCREW, M5X0.8X30 PANPHL	1
▲ 13	630145	●TIMER, 24VDC, RANGE: 30SEC	1
▲ 14	09739	NUT, M5X.08 NYLOCK	1
15	606276	COVER, CONTROL PANEL	1
▲ 16	630419	●SWITCH, ROCKER	1
▲ 17	578720	SPLASHGUARD, RCKR SWITCH	1
▲ 18	130738	●LIGHT, INDICATOR GREEN	1
▲N/S	605551	HARNESS, WIRE ES	1

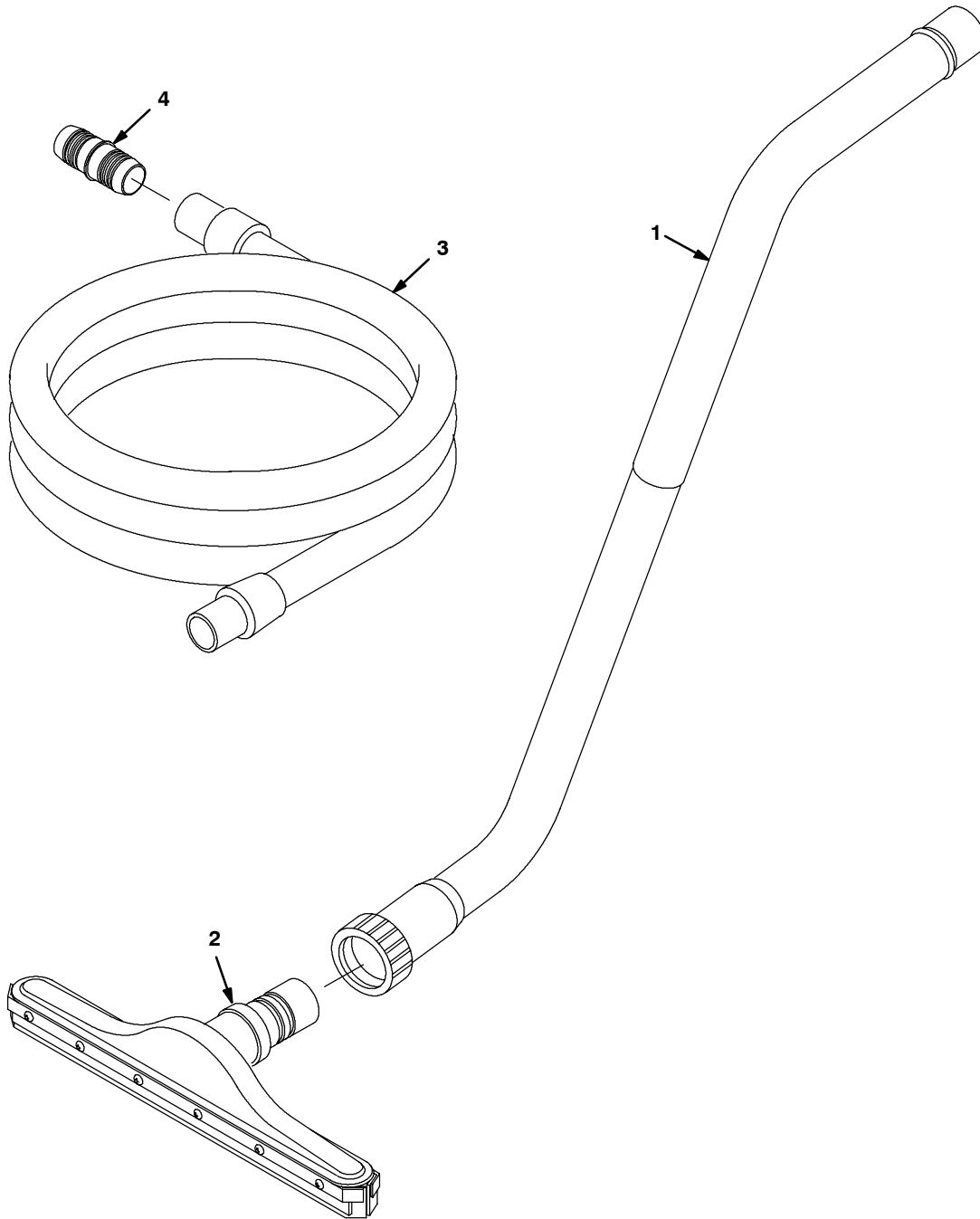
∇ ASSEMBLY / CONJUNTO

▲ INCLUDED IN ASSEMBLY / INCLUIDO EN EL CONJUNTO

● RECOMMENDED STOCK ITEMS / ARTICULOS RECOMENDADOS PARA MANTENER EN EXISTENCIA

* KIT NOT INTENDED FOR FaST MODELS / LA OPCIÓN DEL ES NO ESTÁ DISPONIBLE PARA LOS MODELOS FaST.

**SQUEEGEE WAND ASSEMBLY
GROUPE D'ASPIRATION ET RACLETTE À MAIN**



REF	PART #	DESCRIPTION	QTY.
▽	190928	●ASM., WAND DOUBLE BEND	1
▲ 1	6108.1	WAND, TWO BEND ALUMINUM	1
▲ 2	13840	SQUEEGEE ASM, PUSH/PULL 14"	1

REF	PART #	DESCRIPTION	QTY.
▲ 3	160481	●HOSE, VAC 1-1/2X10'	1
▲ 4	160451	CONNECTOR, 1-1/2 VAC HOSE	1

▽ ASSEMBLY / CONJUNTO

▲ INCLUDED IN ASSEMBLY / INCLUIDO EN EL CONJUNTO

● RECOMMENDED STOCK ITEMS / ARTICULOS RECOMENDADOS PARA
MANTENER EN EXISTENCIA