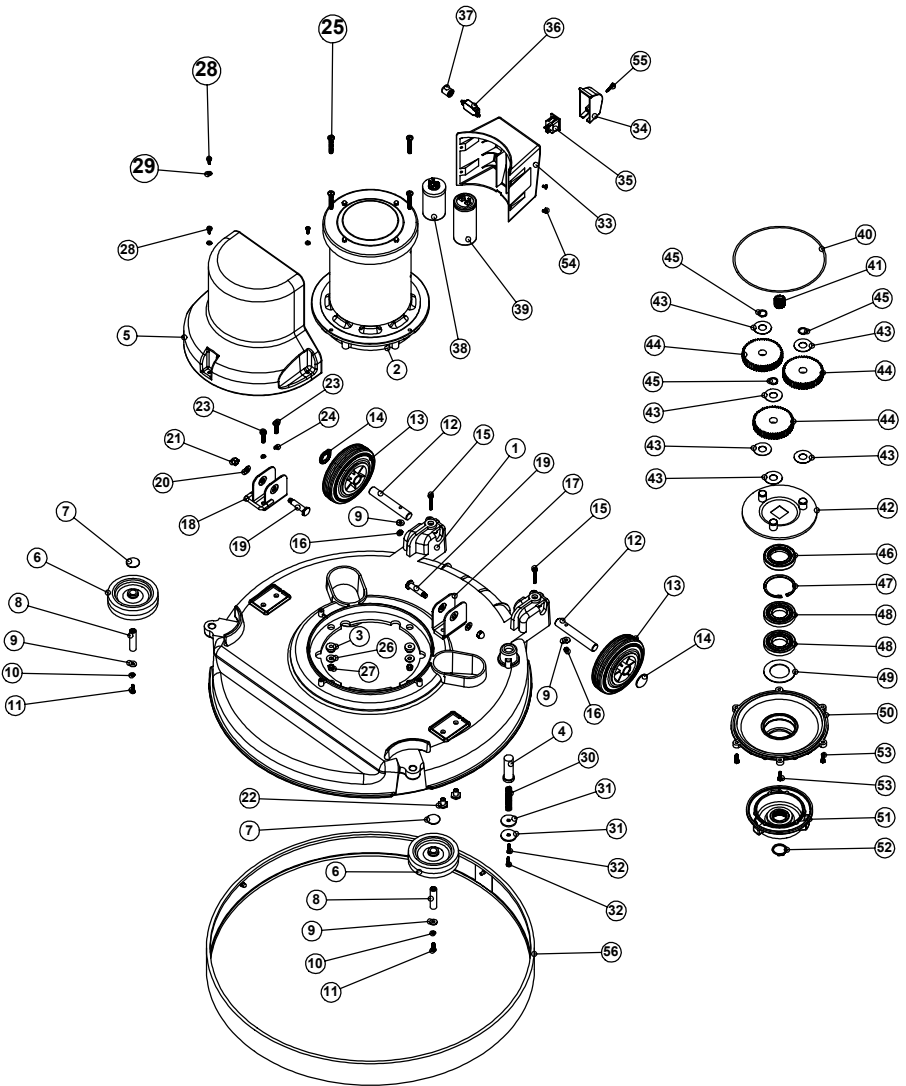


# Numatic International Spare Parts

## Model No:TT665 Handle Assembly

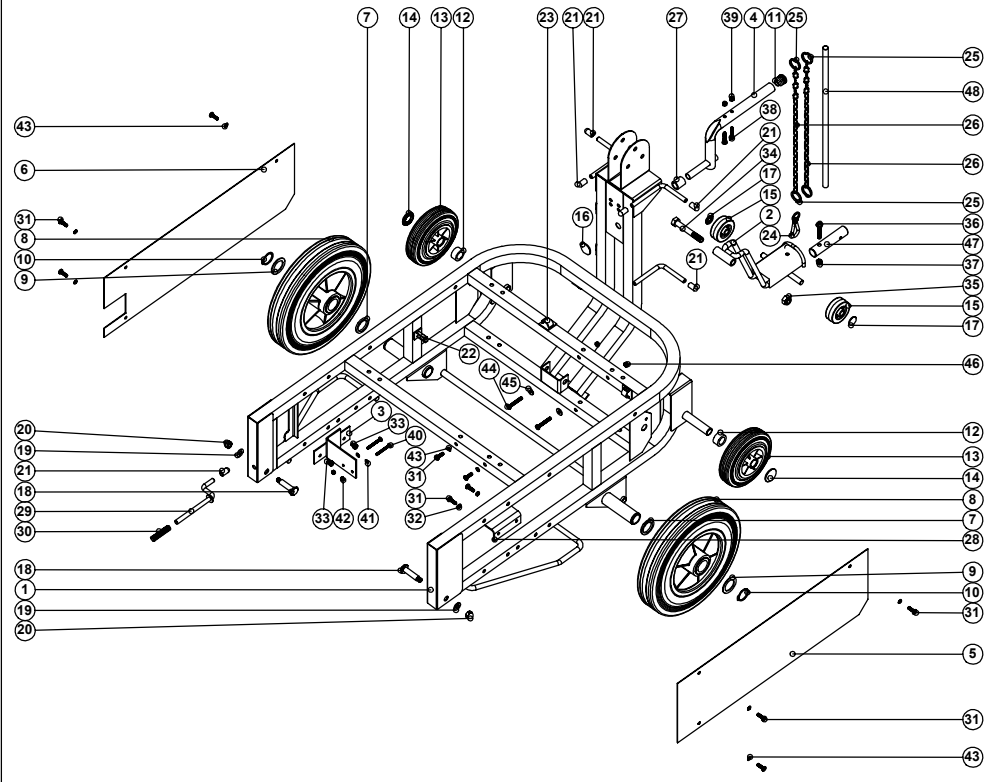
POS:	PART NO:	DESCRIPTION:	COMMENTS:
1	329162	FRONT HANDLE HALF	
2	329677	REAR HANDLE HALF	
3	229076	SUPPORT STRIP	
4	229066	RELEASE BUTTON	
5	219323	COMPRESSION SPRING	
6	229071	LEVER MOUNTING PIN	
7	219212	M3 5 X 10MM LONG TAPTITE SCREW	
8	219045	M5 X 16MM LONG POZI PAN SEMS SCREW	
9	229011	SWITCH PLATE	
10	229010	SWITCH	
11	429029	ALUMINIUM HANDLE	
12	229081	HANDLE CASTING	
13	229099	25MM DIAMETER HOLE PLUG	
14	229074	ADJUSTMENT GEAR	
15	220808	SWITCH COVER GASKET	
16	219574	NYLON SPACER	
17	229339	SWITCH COVER MOULDING	
18	220809	GREEN ILLUMINATED ROCKER SWITCH	
19	220810	SWITCH SPLASH COVER	
20	220811	SWITCH SNAP ON FRAME	
21	220812	230V NEON INDICATOR	
	220813	120V NEON INDICATOR	
22	220440	8 AMP OVERLOAD & COVER	
	220441	16 AMP OVERLOAD & COVER	
23	220459	OVERLOAD DUST COVER	
24	299020	M5 X 30MM LONG POZI PAN MACHINE SCREW	
25	219568	No8 X 3/4" LONG PLASTITE SCREW	
26	229001	RIGHTHAND SWITCH LEVER	
27	229000	LEFTHAND SWITCH LEVER	
28	229003	ADJUSTMENT LEVER	
29	229033	BLANKING PIN	
30	229028	SPRING	
31	219007	M6 FORM B WASHER	
32	219064	M6 X 35MM LONG HEX HEAD BOLT	
33	229139	P - CLIP	
34	219008	M6 FORM G WASHER	
35	21965V	M6 X 40MM LONG HEX HEAD BOLT	
36	219080	M6 DOMENUT	
37	219254	O-RING	
38	219010	M8 FORM A WASHER	
39	219078	M8 STIFFNUT	
40	219091	M8 X 50MM LONG HEX HEAD BOLT	
41	219153	2BA BRASS CUP WASHER	
42	219003	M5 FORM A WASHER	
43	219047	M5 X 10MM LONG POZI PAN SEMS SCREW	
44	229009	HOLE BLANKING PLUG	
45	229073	GEAR LOCKING PIN	
46	229138	SPRING	
47	219099	M6 HALFNUIT	
48	229126	LOCKING ROD	
49	219017	M6 DOUBLE COIL SPRING WASHER	
50	219088	M6 STIFFNUT	
51	219607	RUBBER PROTECTION CAP	
52	227008	CABLE CLAMP	
53	219107	No6 X 5/8" LONG PLASTITE SCREW	
54	220219	MAINS CABLE - UK PLUG	
	220208	MAINS CABLE - EURO PLUG	
	220351	MAINS CABLE - NO PLUG	
	220346	MAINS CABLE - SWISS PLUG	
	220358	MAINS CABLE - CSA PLUG	
	220439	MAINS CABLE - NO PLUG SOUTH AFRICA	
	220470	MAINS CABLE - 15 AMP PLUG	
55	229026	BLANKING PLATE	
56	303464	BRACKET	
57	320729	SOLENOID VALVE LEAD ASSEMBLY	STANDARD SPEC MACHINES
	320730	SOLENOID VALVE LEAD ASSEMBLY	CSA SPEC MACHINES
58	320580	VAC MOTOR LEAD ASSEMBLY	STANDARD SPEC MACHINES
	320581	VAC MOTOR LEAD ASSEMBLY	CSA SPEC MACHINES
59	320727	MOTOR LEAD ASSEMBLY	STANDARD SPEC MACHINES
	320728	MOTOR LEAD ASSEMBLY	CSA SPEC MACHINES
60	320523	150MM LONG BLUE LINK WIRE	
61	320524	150MM LONG BROWN LINK WIRE	



# Numatic International

## Model No: TT665 Base Assembly

POS:	PART NO:	DESCRIPTION:	COMMENTS:
1	229273	GREY BASE MOULDING	
2	205004	230V MOTOR	
3	229285	MOTOR MOUNTING SPACER	
4	229128	PLUNGER	
5	229264	MOTOR COVER	
6	329112	100MM DIAMETER WHEEL	
7	204021	12.7MM HUB CAP	
8	229279	BUFFER WHEEL PIN	
9	219644	M5 FORM G WASHER	
10	219016	M5 SHAKEPROOF WASHER	
11	219547	M5 X 16MM LONG POZI PAN MACHINE SCREW	
12	229280	REAR WHEEL PIN	
13	229060	125MM DIAMETER WHEEL	
14	229266	16MM HUB CAP	
15	220033	M5 X 35MM LONG POZI PAN MACHINE SCREW	
16	219633	M5 NYLOC NUT	
17	429035	PIVOT BRACKET WELDED ASSEMBLY	
18	429036	LOCKING PIVOT BRACKET WELDED ASSEMBLY	
19	206236	PIVOT PIN	
20	219010	M8 FORM A WASHER	
21	219077	M8 DOMENUT	
22	219606	BRACKET SPACER	
23	219056	M6 X 25MM LONG POZI PAN MACHINE SCREW	
24	219549	M6 SINGLE COIL SPRING WASHER	
25	219483	M6 X 40MM LONG POZI PAN MACHINE SCREW	
26	219008	M6 FORM G WASHER	
27	219088	M6 STIFFNUT	
28	219569	No8 X 1/2" LONG PLASTITE SCREW	
29	219355	M5 FORM A WASHER	
30	219394	COMPRESSION SPRING	
31	219457	NYLON WASHER	
32	219568	No8 X 3/4" LONG PLASTITE SCREW	
33	304064	CAPACITOR BOX	
34	229213	CAPACITOR BOX PLUG COVER	
35	220584	CLIP IN PLUG	
36	220440	8 AMP OVERLOAD	230V MACHINES
37	220459	DUST COVER	
38	220104	16MFD MOTOR RUN CAPACITOR	230V MACHINES
39	220117	160MFD MOTOR START CAPACITOR	230V MACHINES
40	230001	V-OIL SEAL	
41	230027	PINION GEAR	
42	230291	PLANET CARRIER	
43	230215	35MM ALUMINIUM WASHER	
44	230013	48 TOOTH SPUR GEAR	
45	230015	15MM EXTERNAL CIRCLIP	
46	230002	DOUBLE LIP OIL SEAL	
47	230200	62MM INTERNAL CIRCLIP	
48	230004	62MM O/D X 38MM I/D BEARING	
49	219261	62MM WASHER	
50	230208	BOTTOM PLATE ASSEMBLY	
51	230207	CHUCK ASSEMBLY	
52	230048	26MM EXTERNAL CIRCLIP	
53	219051	M5 X 16MM LONG HEX SET SCREW	
54	219095	M4 X 6MM LONG TAPTITE SCREW	
55	219107	No6 X 5/8" LONG PLASTITE SCREW	
56	329674	SPLASH SKIRT ASSEMBLY	



# Numatic International Spare Parts

## Model No:TT665 Chassis Assembly

POS:	PART NO:	DESCRIPTION:	COMMENTS:
1	329996	NUTSERTED CHASSIS ASSEMBLY	
2	329632	FLOOR TOOL WELDED CONNECTOR ASSEMBLY	
3	329646	SOLENOID VALVE WELDED BRACKET ASSEMBLY	
4	329675	FLOOR TOOL LIFT HANDLE WELDED ASSEMBLY	
5	429032	LEFTHAND SIDE PLATE	
6	429033	RICHTHAND SIDE PLATE	
7	219628	PLASTIC WASHER	
8	229265	250MM DIAMETER WHEEL	
9	219629	PLASTIC WASHER	
10	219627	25MM EXTERNAL CIRCILP	
11	20638V	TUBE END STOP	
12	219545	WHITE SPACER	
13	229060	125MM DIAMETER WHEEL	
14	229266	16MM CAP	
15	215006	50MM DIAMETER WHEEL	
16	204021	12.7MM HUB CAP	
17	229290	3/8" STAINLESS CAP	
18	206236	PIVOT PIN	
19	219010	M8 FORM A WASHER	
20	219077	M8 DOMENUT	
21	229240	END TIP	
22	219464	24MM HIGH PLASTIC CLIP	
23	220403	CABLE CLIP	
24	229292	50MM SWIVEL HOOK	
25	229293	1" SPLIT RING	
26	229289	540MM LONG CHAIN	
27	229288	NYLON SPACER	
28	229309	PLUNGER PLATE	
29	303406	LATCHING ROD WELDED ASSEMBLY	
30	219576	STAINLESS STEEL COMPRESSION SPRING	
31	219547	M5 X 16MM LONG POZI PAN SCREW	
32	219648	M5 SINGLE COIL WASHER	
33	219047	M5 X 10MM LONG POZI PAN SEMS SCREW	
34	219570	M10 X 70MM LONG BOLT	
35	219649	M10 NYLON INSERT NUT	
36	219643	M6 X 35MM LONG POZI PAN SCREW	
37	219642	M6 NYLOC NUT	
38	219575	M5 X 25MM LONG POZI DRIVE SCREW	
39	219076	M5 STAYTIGHT NUT	
40	219622	M4 X 35MM LONG POZI PAN MACHINE SCREW	
41	219206	M4 1A TAB WASHER	
42	219205	M4 STIFFNUT	
43	219016	M5 SHAKEPROOF WASHER	
44	220033	M5 X 35MM LONG POZI PAN MACHINE SCREW	
45	219644	M5 FORM G WASHER	
46	219633	M5 NYLON INSERT NUT	
47	329664	PIVOT BOSS	
48	219660	PVC SLEEVING	

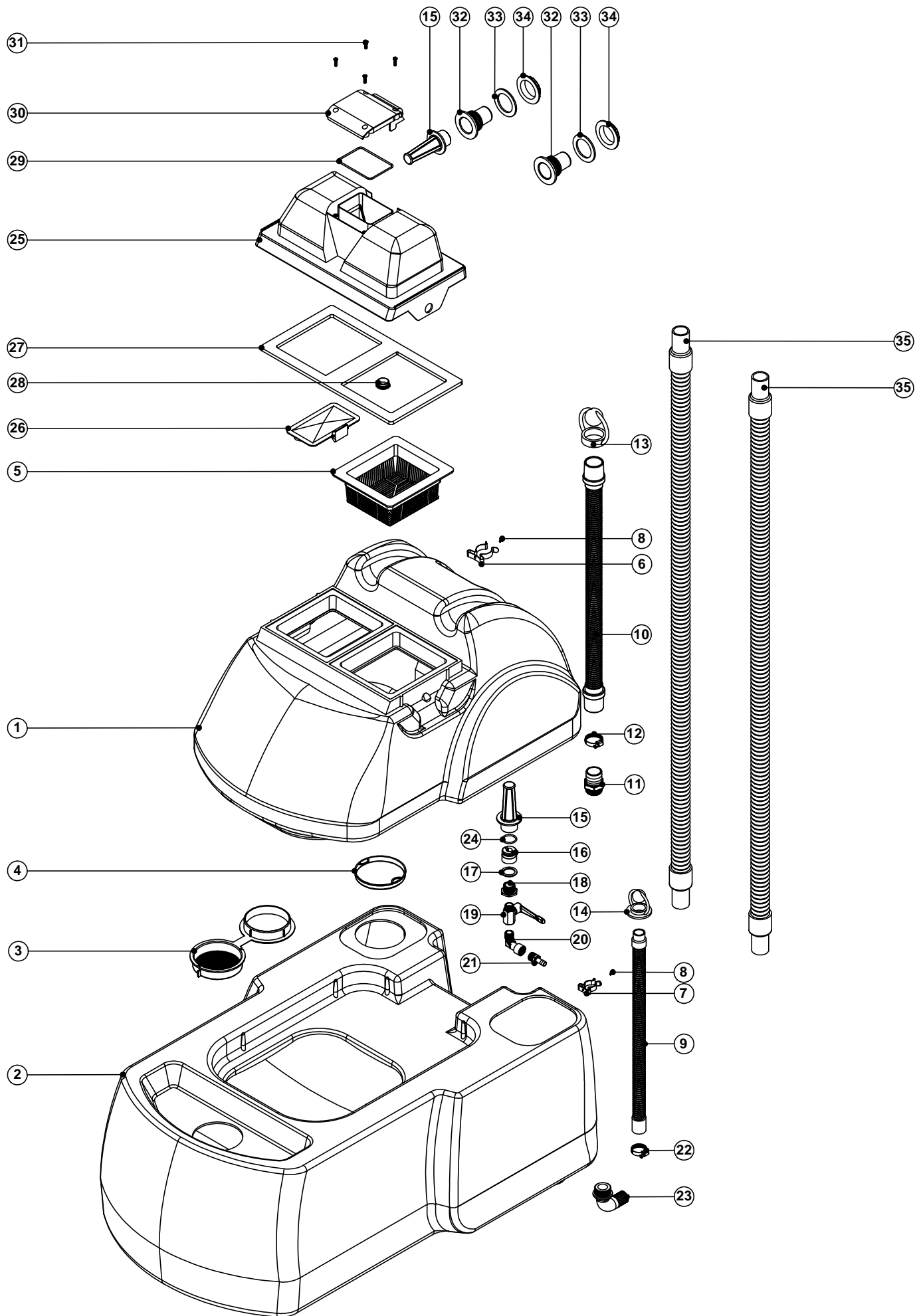
# Numatic International Spare Parts

231910

DRAWING: EXP397 ISS:A02

01/07/99

Model No: TT/TTB665/TTB665ST Tank & Separator Assy

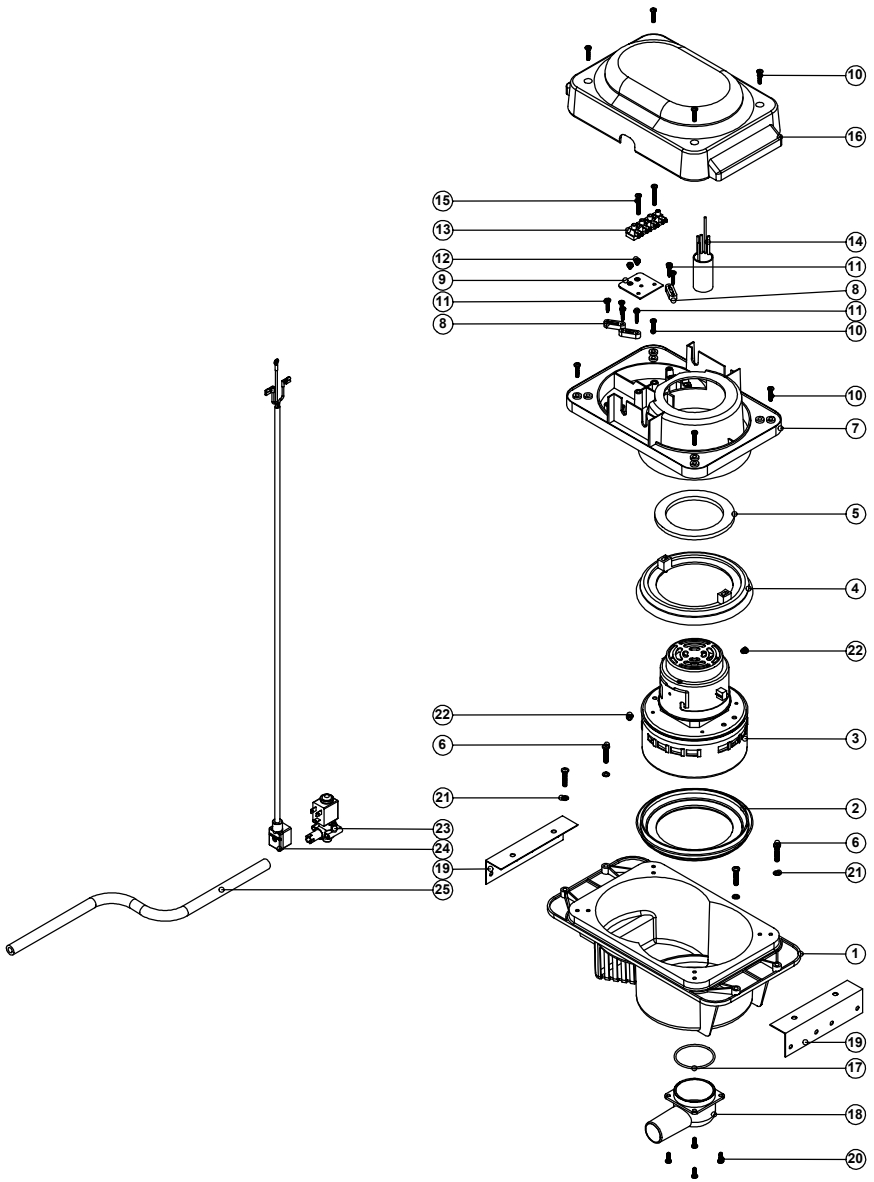


# Numatic International Spare Parts

## Model No:TT/TTB665 Tank & Separator Assy

POS:	PART NO:	DESCRIPTION:	COMMENTS:
1	227246	TOP TANK	
2	227247	BOTTOM TANK	
3	229282	FILTER CAP	
4	219452	100MM DIAMETER HOLE PLUG	
5	206266	TOP TANK FILTER	
6	219665	TOOL CLIP	
7	219503	TOOL CLIP	
8	219641	M3 X 6MM LONG POZI DRIVE SCREW	
9	213021	DUMP HOSE ASSEMBLY	
10	213019	DUMP HOSE ASSEMBLY	
11	303466	STRAIGHT HOSETAIL CONNECTOR	
12	219674	STAINLESS STEEL JUBILEE HOSE CLIP	
13	206111	HOSE CLOSURE	
14	206058	HOSE CLOSURE	
15	206265	BARREL FILTER	
16	206274	FILTER CONNECTOR	
17	202067	SEALING GASKET	
18	206275	TAP CONNECTOR FITTING	
19	219382	3/8" BSP MALE/FEMALE BALL VALVE	
20	219381	3/8" BSP MALE/FEMALE ELBOW CONNECTOR	
21	219389	3/8" BSP HOSE TAIL	
22	219509	STAINLESS STEEL JUBILEE CLIP	
23	216211	1" 90 DEGREE HOSETAIL CONNECTOR	
24	219626	O-RING	
25	303381	SEPARATOR MOULDING	
26	229224	COVER MOULDING FRONT	
27	202075	TOP SEALING GASKET	
28	206315	TUBE END PLUG	
29	219562	95MM I/D O-RING	
30	229223	SEPARATOR LID MOULDING	
31	219370	No8 X 5/8" LONG PLASTITE SCREW	
32	206228	DRAIN HOSE CONNECTOR	
33	219310	RUBBER WASHER	
34	206116	BLACK NUT MOULDING	
35	329671	HOSE ASSEMBLY	



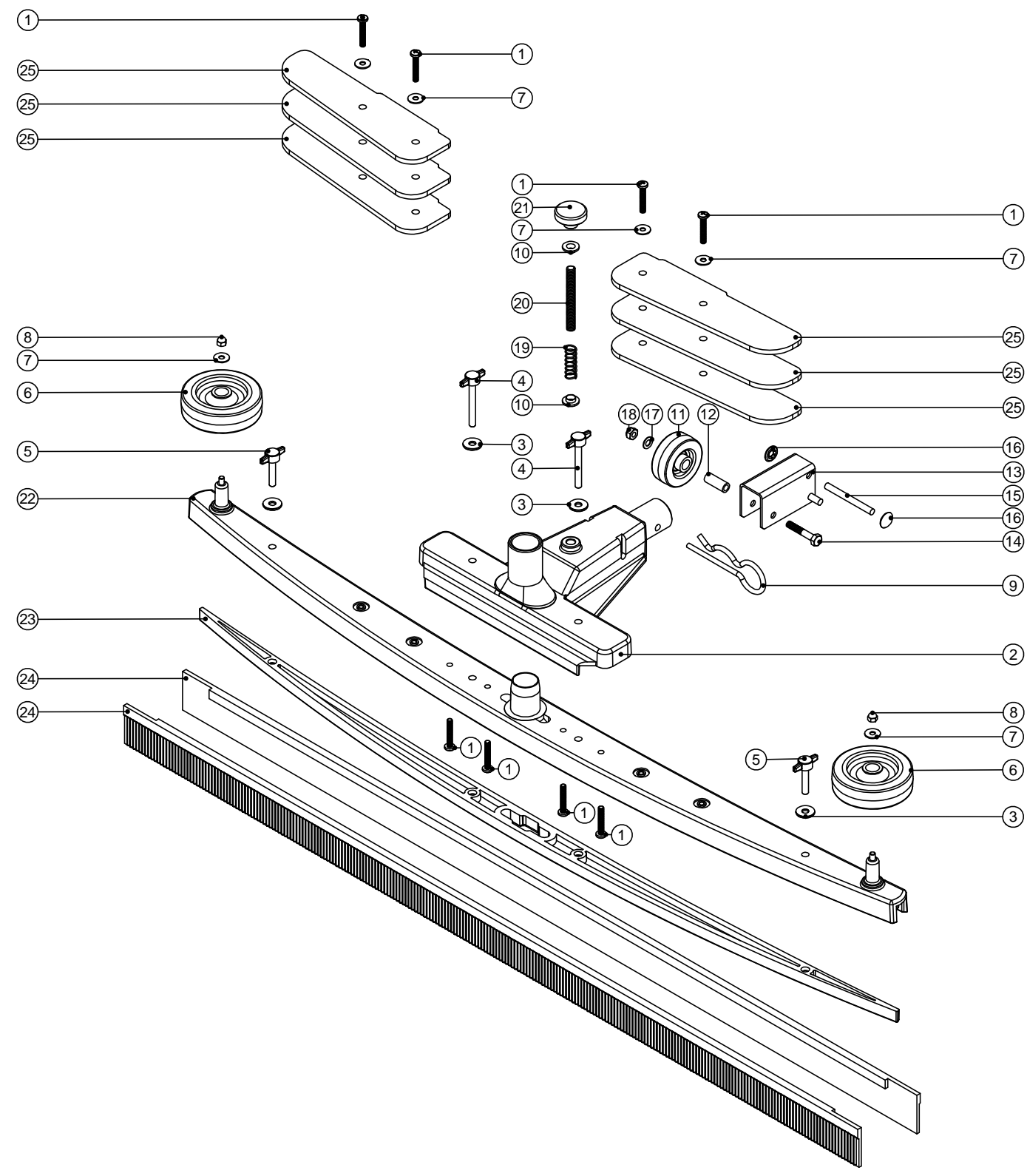


# Numatic International Spare Parts

## Model No:TT665 Vac Pod Assembly

POS:	PART NO:	DESCRIPTION:	COMMENTS:
1	229204	BOTTOM MOTOR HOUSING	230V MACHINES
	227231	BOTTOM MOTOR HOUSING	110V MACHINES
2	202077	BOTTOM MOTOR GASKET	
3	205060	230V MOTOR	
	205062	110V MOTOR	
4	202076	TOP MOTOR GASKET	
5	202078	MOTOR CAP GASKET	
6	219575	M5 X 25MM LONG POZI DRIVE SCREW	
7	229998	TOP MOTOR HOUSING C/W TAPPEX	230V MACHINES
	229993	TOP MOTOR HOUSING C/W TAPPEX	110V MACHINES
8	227008	CABLE CLAMP	
9	303291	TERMINAL BLOCK FIXING BRACKET	
10	219568	No8 X 3/4" LONG PLASTITE SCREW	
11	219107	No6 X 5/8" LONG PLASTITE SCREW	
12	219090	M4.8MM LG.POZI-PAN.SCREW.Z/PL.SEM	
13	220204	TERMINAL BLOCK	
14	220593	SUPPRESSOR ASSEMBLY	
15	219321	M4 X 30MM LONG POZI PAN SCREW	
16	229206	VAC POD TOP COVER MOULDING	230V MACHINES
	227233	VAC POD TOP COVER MOULDING	110V MACHINES
17	219561	O-RING	
18	229207	INLET TUBE MOULDING	
19	229310	MOUNTING BRACKET	
20	219569	No8 X 1/2" LONG POZI PAN SCREW	
21	219003	M5 FORM A WASHER	
22	219566	M4.6MM LG.POZI-PAN.SCREW.Z/PL.TAPTITE	
23	220348	SOLENOID VALVE	
	220350	SOLENOID VALVE	
24	320533	SOLENOID VALVE LEAD ASSEMBLY C/W MPM CONNECTOR	230V MACHINES
	320534	SOLENOID VALVE LEAD ASSEMBLY C/W MPM CONNECTOR	110V MACHINES
25	229168	700MM LONG SILICONE TUBE	

## Model No: Large Semi Parabolic Floor Tool (TTA-94B/95B)



# **Numatic International Spare Parts**

## **Model No: Large Semi Parabolic Floor Tool (TTA-94B/95B)**

POS:	ITEM NO:	DESCRIPTION:	COMMENTS:
1	219720	M5 X 30MM LONG STAINLESS STEEL POZI PAN SCREW	
2	301193	CENTRE MOULDING PLUS INSERT DRILLED	
3	219647	M6 FORM G STAINLESS STEEL WASHER	
4	301195	M6 X 50MM TEE KNOB ASSEMBLY	
5	301194	M6 X 30MM TEE KNOB ASSEMBLY	
6	303247	3 INCH DIA WHEEL REAMED	
7	219644	M5 FORM G STAINLESS STEEL WASHER	
8	219645	M5 STAINLESS STEEL DOME NUT	
9	229295	RETAINING PIN	
10	219417	UNIFIED M/C SCREW INSULATOR	
11	215006	2" FLO WHEEL BLACK (GREY TYRE)	
12	204023	24MM FLO WHEEL INSERT	
13	329673	HEIGHT ADJUSTOR BRACKET WELDED ASSEMBLY	
14	219064	M6 X 35MM LONG HEX BOLT	
15	390401	6MM DIA X 60MM LONG STAINLESS STEEL BAR	
16	219402	6MM STAINLESS STARLOCK WASHER + CAP	
17	219007	M6 FORM B WASHER	
18	219642	M6 STAINLESS STEEL NYLON INSERT NUT	
19	219312	COMPRESSION SPRING	
20	229283	HEIGHT ADJUSTMENT SHAFT	
21	215008	ADJUSTING KNOB	
22	214107	EXTRA LARGE TOP MOULDING C/W INSERTS	
23	214108	EXTRA LARGE BOTTOM MOULDING C/W INSERTS	
24	217281	RUBBER BLADE	
25	429070	WEIGHT (PAINTED SILVER)	TTA-95B