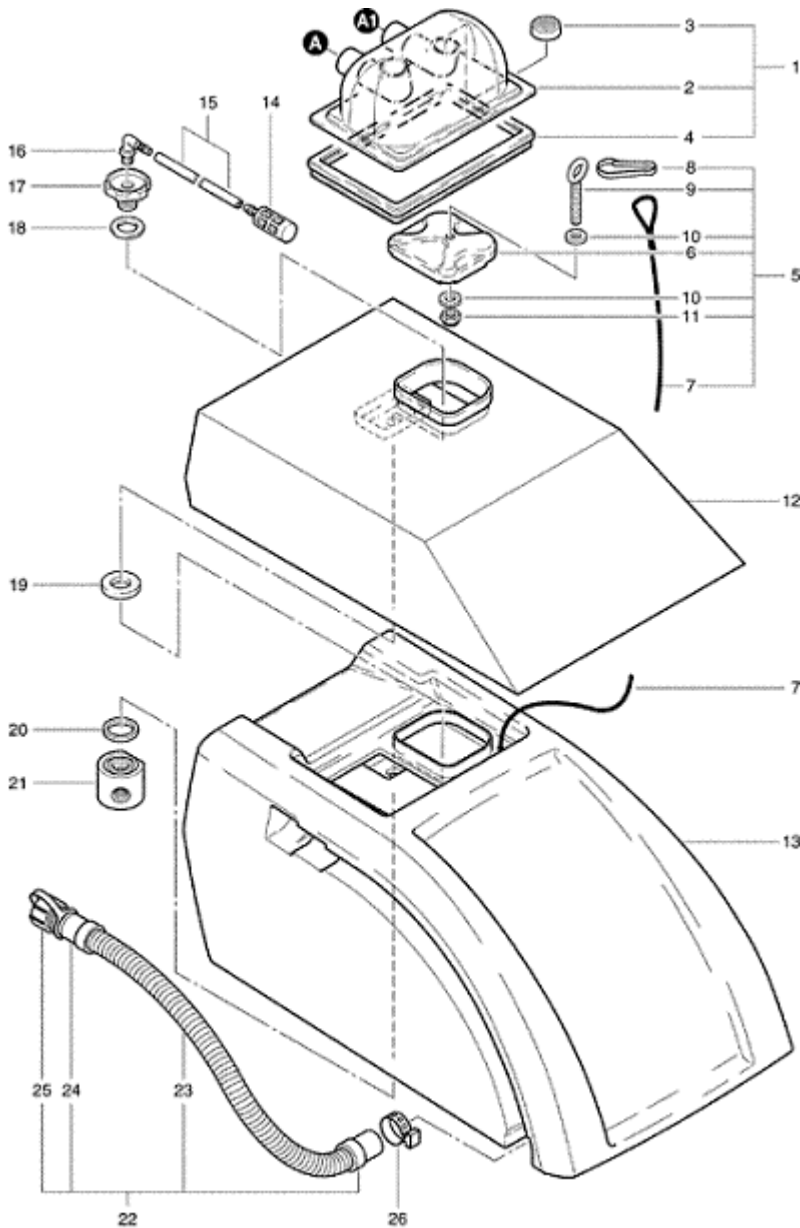
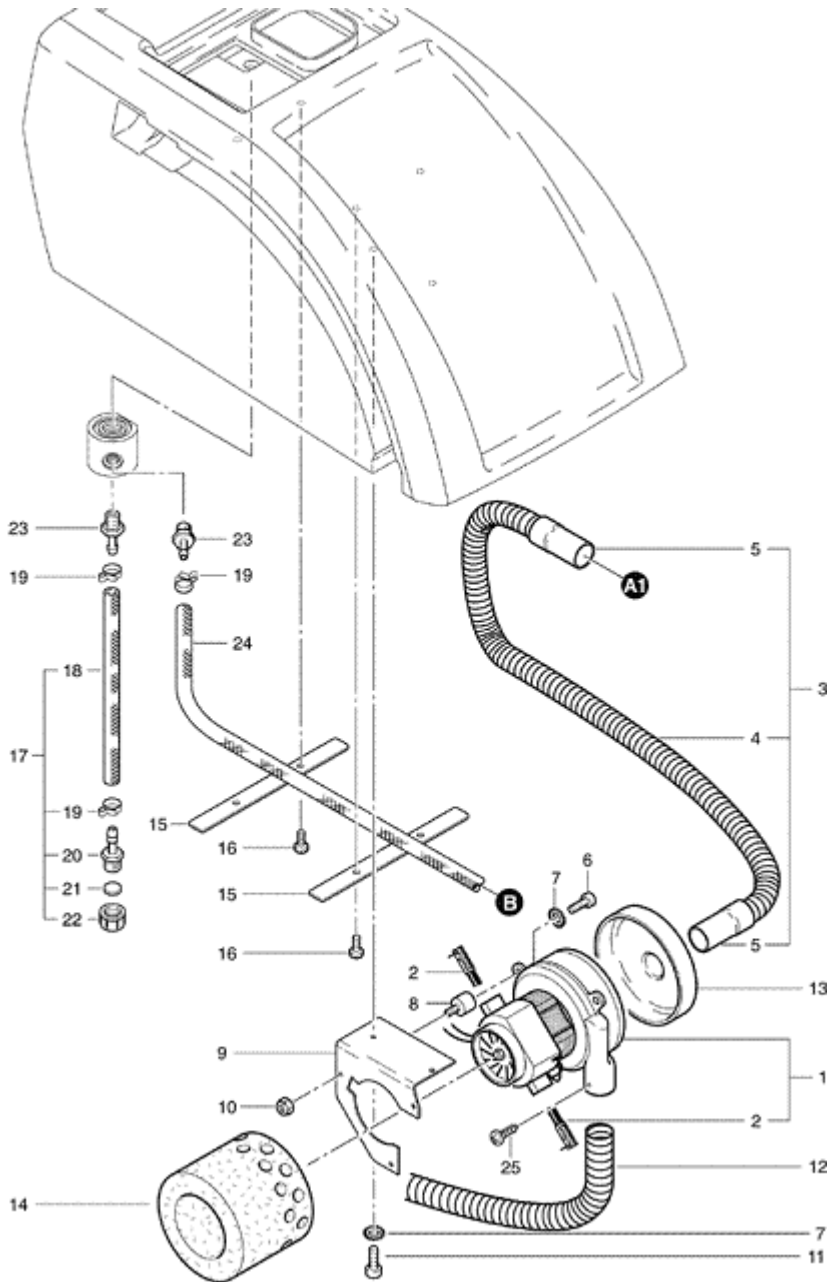


## Cover/Clean Water Tank/Tank



Pos.	Description	Reference
01	Tank cover complete including Items 2-4	530.755
02	Tank cover	400.751
03	Filter	400.766
04	Seal for cover	420.723
05	Clean water tank cover including Items 6-11	530.765
06	Clean water tank cover	530.758
07	Polyester string	530.759
08	Carabiner	P...518
09	Ring screw M4	P...512E
10	Washer M4	P...497G
11	Security nut M4	P...493D
12	Fresh water tank	530.722
13	Tank	530.721
14	Fresh water filter	P...528
15	Hose 8/6x50 mm	530.262
16	Angled nipple 6R 1/4"	P...541I
17	Filter housing	530.711
18	Washer dm 50/22x1,5 mm	530.713
19	Gasket dm 45/22x6 mm	530.710
20	Gasket dm 38/30x7 mm	530.714
21	Connecting piece	530.712
22	Discharge hose complete including Items 23-25	530.735
23	Discharge hose	530.741
24	Hose socket	500.409A
25	Hose socket cap	500.410
26	Hose clamp dm 39,6 mm	P...553R

# Vacuum Motor

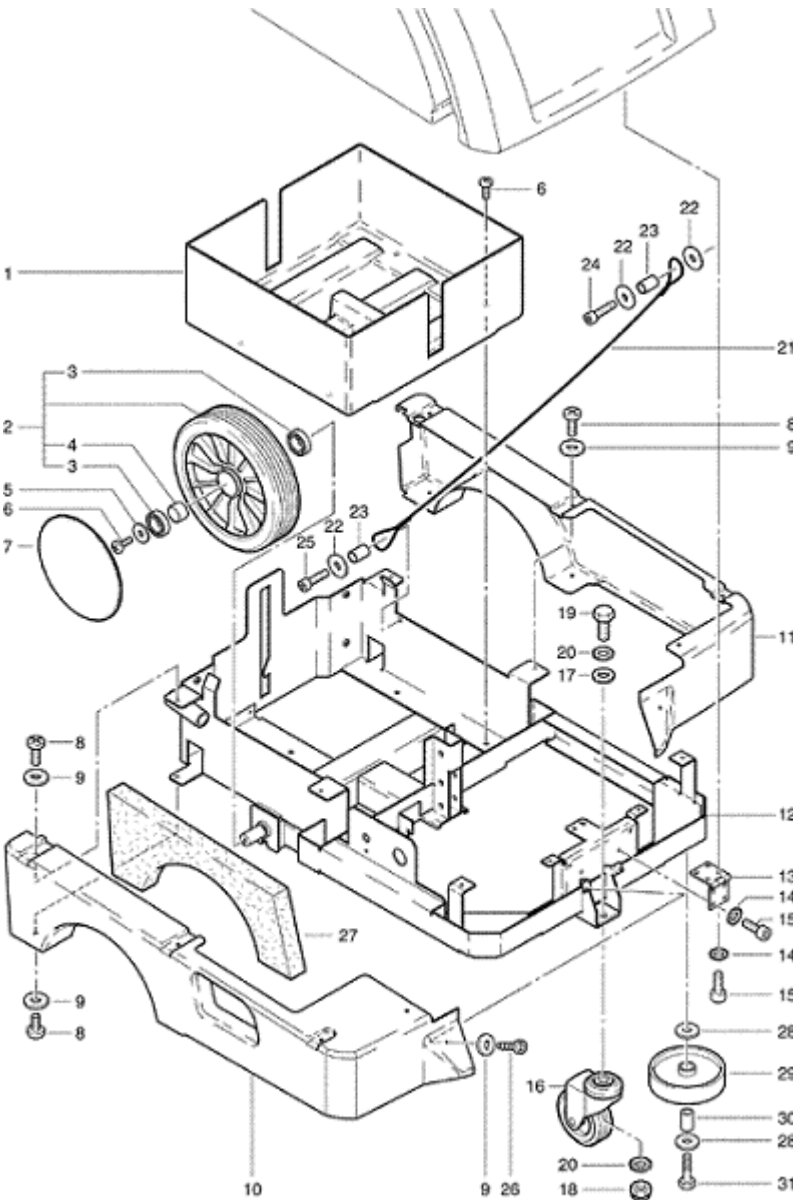


Pos.	Description	Reference
01	Suction motor 24 volts	440.206
02	Carbon brushes (pair)	500.441K
03	Hose vacuum motor-cover including: items 4+5	530.740
04	Vacuum hose 1,1 m	530.743
05	Hose socket	P...575B
06	Hexagon socket screw M 6x16 mm	P...486R
07	Serrated lock washer M6	P...498K
08	Round buffer	060.241
09	Vacuum motor support	530.731
10	Stop nut M6	P...493K
11	Hexagon socket screw M 6x12 mm	P...486Q
12	Exhaust air hose 0,82 m	530.734
13	hose connection cap	P...206A
14	Noise absorber for motor	530.737
15	Support	530.715
16	Pan head screw M 6x10 mm	P...475M
17	Clean water discharge hose including: items 17-21	530.719
18	PVC hose 180 mm	P...566F
19	Hose clamp	P...550N
20	Straight connector	P...540I
21	Sealing washer	530.720
22	Cover	P...542P
23	Hose connector 1/4"	P...525A
24	Connecting hose 1650 mm	530.410
25	PT-screw KA 30x10 mm	P...516A

RA 530 B

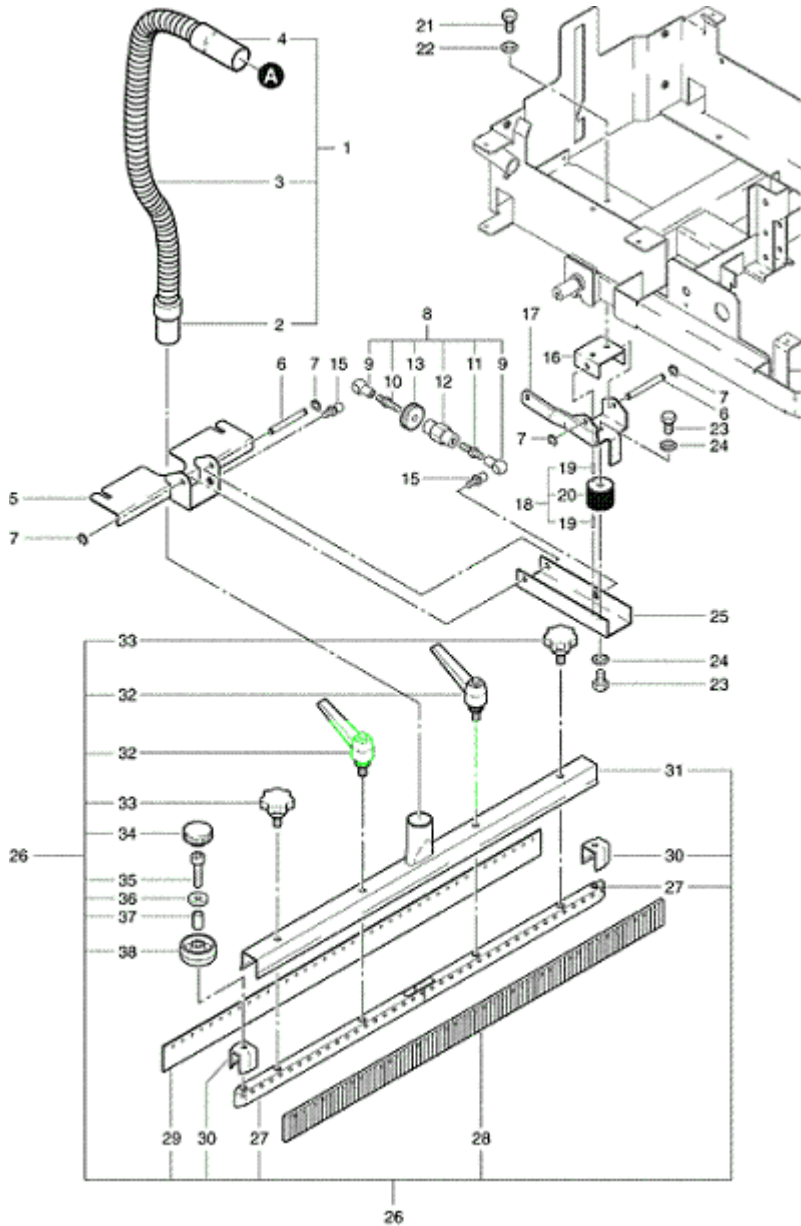
B 2-10.00

# OS-21 Chassis



Pos.	Description	Reference
01	Battery container	530.205
02	Wheel 200x53 mm complete including: items 3+4	530.240
03	Ball bearing	P...316R
04	Distance ring	530.243
05	Washer dm 6/25x1,8 mm	P...497Y
06	Pan head screw M 6x10 mm	P...475M
07	Wheel cover	530.242
08	Self tapping screw M 4x8 mm	P...481Q
09	Washer M4	P...497C
10	Right chassis cover	530.207
11	Left chassis cover	530.206
12	Chassis	530.201
13	Hinge	530.705
14	Serrated lock washer M6	P...498K
15	Hexagon socket screw M 6x12 mm	P...486Q
16	Castor 100 mm	530.225
17	Washer M10	P...496S
18	Stop nut M10	P...492Q
19	Hexagon screw M 10x35 mm	P...471V
20	Serrated lock washer M10	P...498F
21	Polyester string	530.726
22	Washer dm 6/25x1.8 mm	P...497Y
23	Distance piece 6.3/10x7.5 mm	P...509B
24	Hexagon socket screw M 6x16 mm	P...486R
25	Hexagon screw M 6x16 mm	P...470T
26	Self tapping screw M 4x12 mm	P...481X
27	Noise absorbing sheet	530.204
28	Washer M6	P...496L
29	Fender wheel	530.136
30	Distance piece 6/10x29 mm	530.138
31	Hexagon screw M 6x25 mm	P...471A

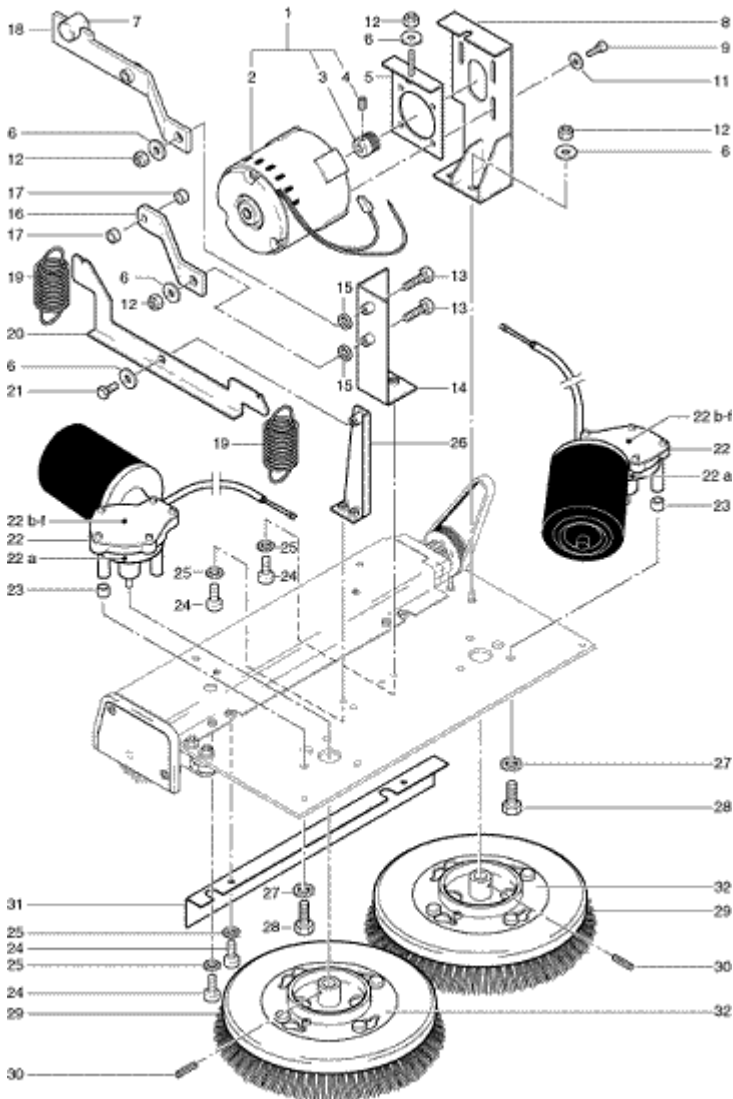
# Suction Nozzle



Pos.	Description	Reference
01	Suction hose complete including Items 2-4	530.745
02	Hose socket 35 mm	P...576
03	Suction hose 770 mm	530.747
04	Hose socket	P...575B
05	Tractor nozzle holder	530.801
06	Bolt	530.815
07	Security washer 7 mm	P...513P
08	Adjusting spindle complete including Items 9-13	450.366
09	Ball socket	P...512A
10	Threaded pin, left	450.366E
11	Threaded pin, right	450.366D
12	Thread socket	450.366A
13	Screw knob	P...494Y
15	Ball pin	P...512B
16	Connecting piece	530.803
17	Support	530.802
18	Cuff cylinder cpl. (until week 49/97)	530.822
18	Cuff cylinder (after week 50/97) without pins	530.822
19	Spring pin (only until week 49/97)	P...512T
20	Cuff cylinder (only until week 49/97)	530.820
20	Cuff cylinder (after week 50/97)	530.822
21	Hexagon screw M 6x12 mm	P...470R
22	Serrated lock washer M6	P...498K
23	Hexagon screw M 8x12 mm	P...471C
24	Serrated lock washer M8	P...498G
25	Support	530.804
26	Tractor nozzle complete including Items 27-38	530.600
27	Holder for rubber blades	530.601
28	Rubber blade (brown)	530.603
29	Rubber blade (beige)	530.604
30	Nozzle end piece	530.606
31	Clamping guide	530.602
32	Nozzle tightening clamp	P...253B
33	Star handle	530.607
34	Screw knob	P...494X
35	Hexagon socket screw M 6x35 mm	P...486U
36	Washer dm 6/16x1 mm	P...497M
37	Distance ring 6/8x27,5 mm	530.609
38	Fender wheel 50 mm	450.364F

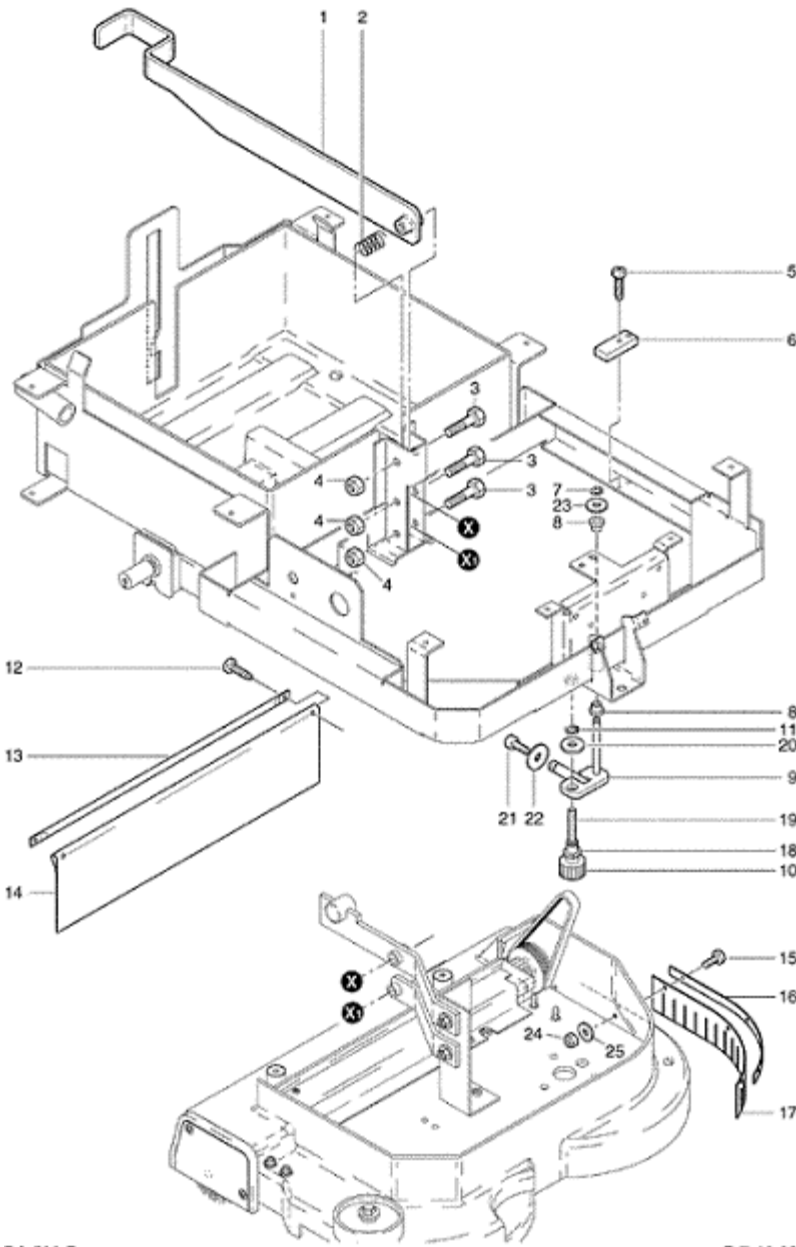


# OS-21 Brush Motor and Activation Disk Brush



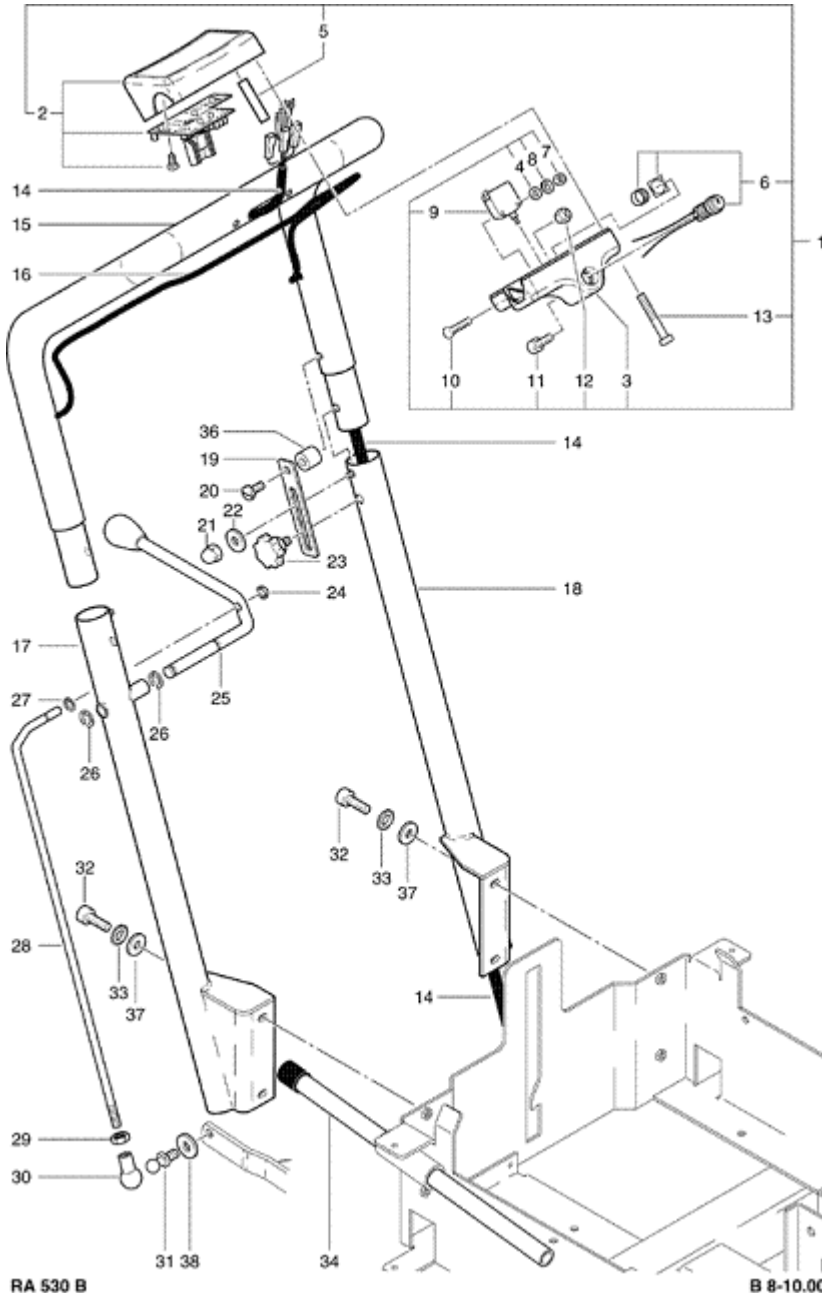
Pos.	Description	Reference
01	Brush motor complete including items 2-4	530.150
02	Brush motor 24 volts	440.203
03	Belt pulley	530.151
04	Pin M 5x5 mm	P...482Z
05	Belt tightener	530.122
06	Washer M6	P...496L
07	Lever support	530.177
08	Brush motor support	530.121
09	Hexagon socket screw M 5x14 mm	P...488F
11	U-Scheibe M5	P...496G
12	Security nut M6	P...493K
13	Hexagon screw M 6x25 mm	P...471Q
14	Support	530.102
15	Distance ring	530.185
16	Guiding lever	530.178
17	Distance ring	530.187
18	Intermediate lever	530.173
19	Spring	530.172
20	Spring support	530.179
21	Hexagon screw M 6x8 mm	P...470Q
22	Brush motor 24 volts	510.051
22a	Gear wheel (internal)	500.051B
22b	Brush motor as from 1999 KW 28	500.048A
22c	Umbausatz Getriebemotor	500.048
22d	Distanzscheibe zu 500.048A	510.047
22e	Schneckenrad zu 500.048A	510.048
22f	Büchse zu 500.048A	510.049
23	Distance ring	500.052
24	Hexagon socket screw M 6x16 mm	P...486R
25	Serrated lock washer M6	P...498K
26	Support	530.127
27	Serrated lock washer M8	P...498G
28	Hexagon screw M 8x25 mm	P...471F
29	Nylon washing brush	530.059
30	Pin 5x22 mm	P...512Q
31	Splash protection	530.104
32	Driving plate	500.055

## OS-21 Pressure Position



Pos.	Description	Reference
01	Foot lever	530.171
02	Pressure spring	530.186
03	Hexagon screw M 8x40 mm	P...471N
04	Security nut M8	P...492H
05	Screw 4.2x19 mm	P...484M
06	Distance piece	530.235
07	Security washer dm 6 mm	P...498LL
08	Permaglide ring	500.116
09	Spring adjuster	530.181
10	Screw knob	
11	Security washer dm 8 mm	P...498M
12	Tapped screw 4.8x13 mm	P...482L
13	Supporting rod 8/6x415 mm	530.209
14	Splash protection	530.208
15	Pan head screw M 3x12 mm	P...475B
16	Fixing plate	530.135
17	Splash protection (left)	530.134
18	Permaglide ring	530.182
19	Spindle	530.183
20	Washer M10	P...496T
21	Countersunk screw M 4x10 mm	P...489D
22	Washer 6/25x1.8 mm	P...497Y
23	Washer M8	P...496P
24	Security nut M3	P...492B
25	Washer M3	P...497J

# OS-21 Control Box



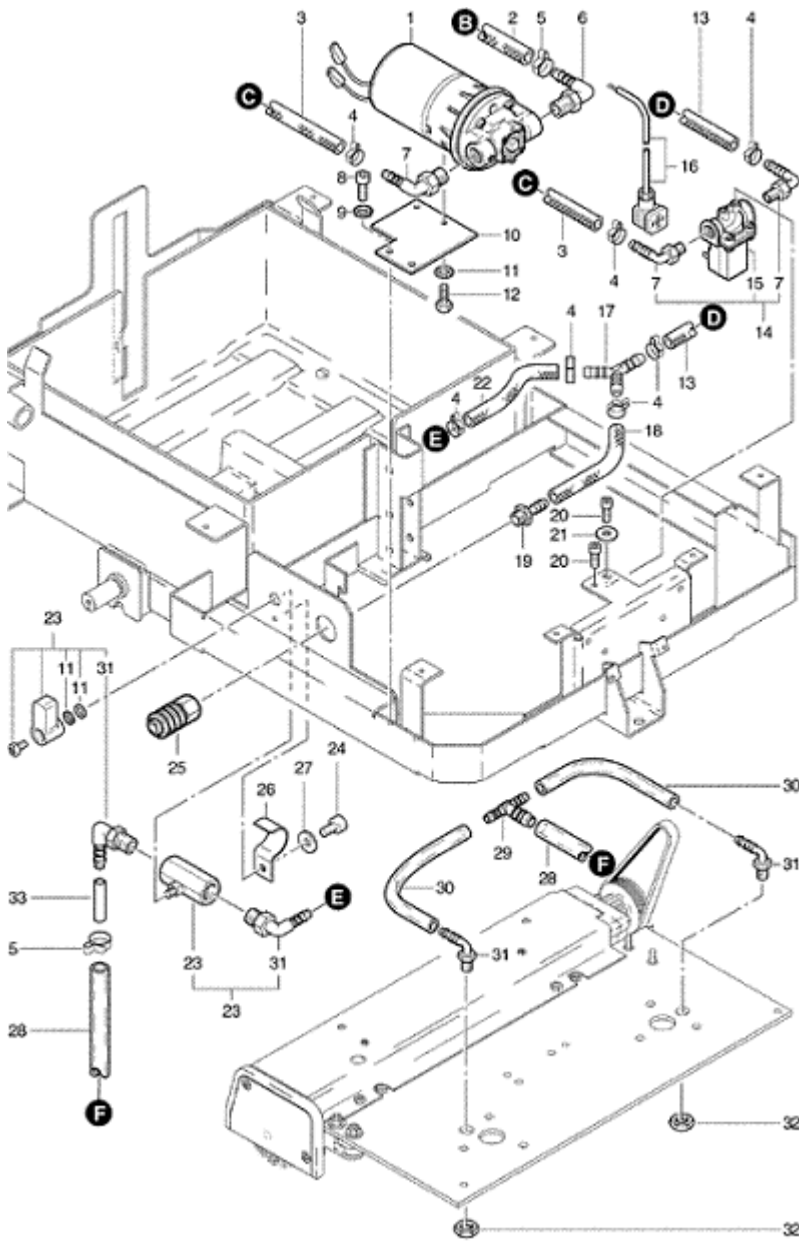
Pos.	Description	Reference
01	Replacement key Controls box complete including items 2-13	P...244B 530.210
02	Controls box (top)	530.217
03	Controls box (lower part)	530.218
04	Washer M4	P...496D
05	Twist protection	530.219
06	Key lock	P...244A
07	Nut M4	P...491L
08	Serrated lock washer M4	P...498B
09	Switch	P...242C
10	Pan head screw M 4x20 mm	P...475F
11	Hexagon socket screw M 5x8 mm	P...488E
12	Stopp-nut M5	P...492G
13	PT-screw KA 30x20 mm	P...516E
14	Harness for electronics	530.306
15	Upper pushbar	530.216
16	Security bar	530.212
17	Lower right pushbar	530.213
18	Lower left pushbar	530.214
19	Splicing plate	530.211
20	Self-tapping screw M 5x12 mm	P...483P
21	Cap nut M5	P...495F
22	Washer M5	P...496G
23	Star handle	530.607
24	Security cover	P...005F
25	Lifting lever	530.806
26	Security washer dm 10 mm	P...498T
27	Security washer dm 6 mm	P...498LL
28	Lifting rod	530.811
29	Nut M8	P...490E
30	Ball socket	P...512C
31	Ball pin	530.812
32	Hexagon socket screw M 6x16 mm	P...486R
33	Serrated lock washer M6	P...498K
34	Machine supporting rod	530.222
36	Distance piece	530.224
37	Washer M6	P...496L
38	Washer M8	P...496P

RA 530 B

B 8-10.00

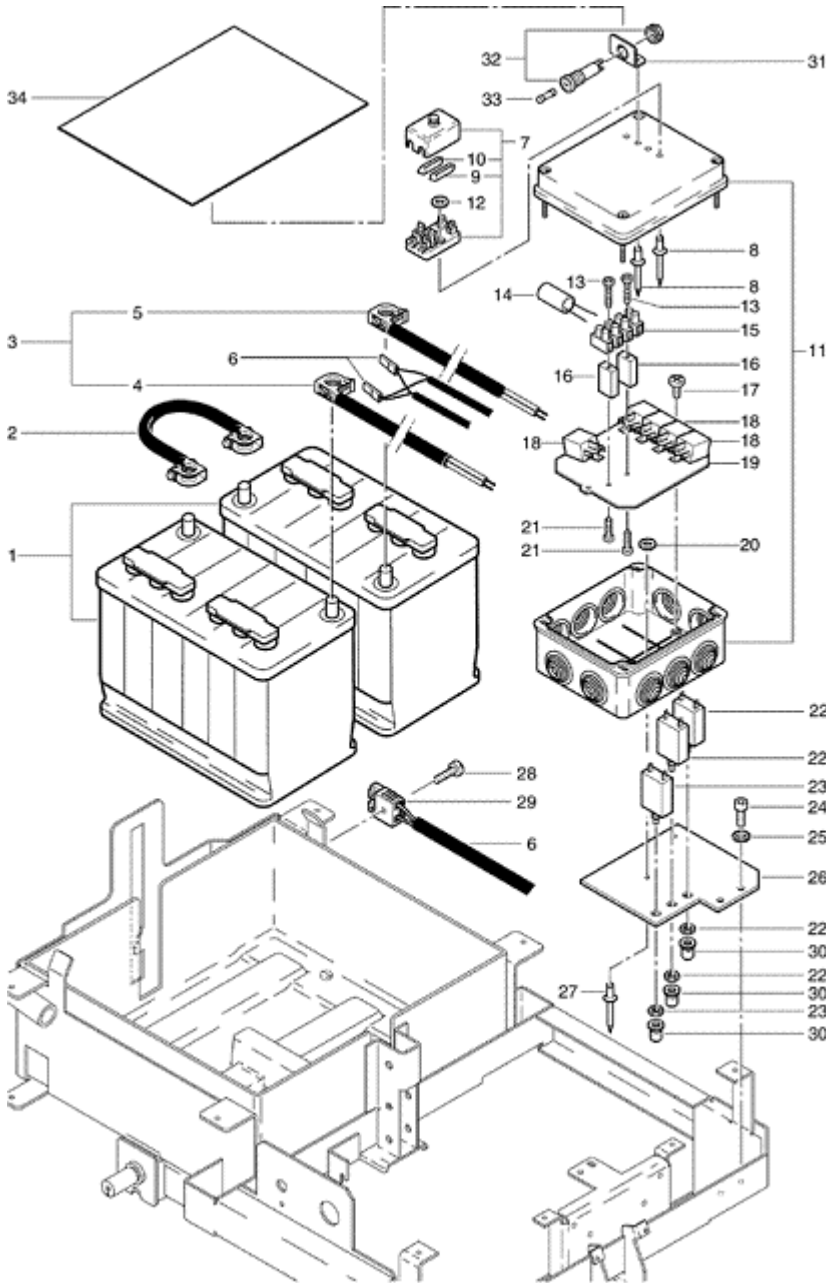


## Pump and Water Supply



Pos.	Description	Reference
01	Flojet pump 24 volts	440.171
02	Connecting hose 1650 mm	530.410
03	Pressure hose 8/14x430 mm	530.415
04	Hose clamp 15.7 mm	P...550B
05	Hose clamp 17.0 mm	P...550C
06	Angled hose nipple 10/R 3/8"	P...541N
07	Angled hose nipple 8/R 3/8"	P...541M
08	Hexagon socket screw M 6x12 mm	P...486Q
09	Serrated lock washer M6	P...498K
10	Pump support	530.451
11	Serrated lock washer M5	P...498D
12	Hexagon screw M5	P...484P
13	Hose 8/14x250 mm	530.423
14	Magnetic valve complete including items 7+15	530.460
15	Magnetic valve	500.291E
16	Cable for magnetic valve	500.291B
17	"Y"-distribution piece	P...542E
18	Hose (connector) 8/14x90 mm	530.430
19	Fitting 8/R 1/4"	P...524F
20	Hexagon socket screw M 4x12 mm	P...486A
21	Washer M4	P...497C
22	Hose (ball tap) 8/14x115 mm	530.420
23	Ball tap complete including items 11+31	530.465
24	Hexagon socket screw M 5x8 mm	P...488E
25	Large connector	P...500B
26	Ball tap holder	450.336A
27	Washer M5	P...496H
28	Hose 10/14x550 mm	530.435
29	"T"-distribution piece 8-12-8	P...544E
30	Hose 6/9x220 mm	530.440
31	Angled hose nipple WES 8/R 1/4"	P...541H
32	Nut (brass) 1/4"	P...535V
33	Reduction hose	530.467

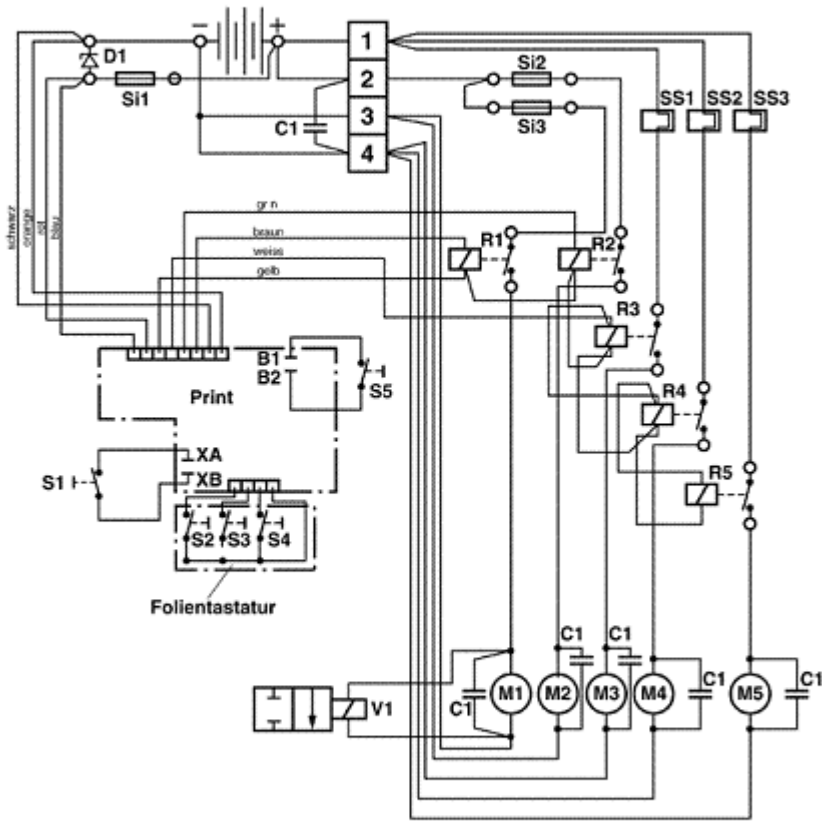
# OS-21 Electrical Supply



Pos.	Description	Reference
01	Set of wet batteries 2x12 V / 105 Ah (5 hours)	530.090
01	Set of Gel batteries 2x12 V / 100 Ah (5 hours)	530.091
02	Battery connecting cable	530.315
03	Battery cable	530.311
06	Charger cable	530.314
07	Fuse box	500.956
08	Blind rivet	P...485D
09	Fuse 5 Amperes	P...407S
10	Fuse 25 Amperes	P...407T
11	Distribution box	530.320
12	Washer M4	P...496D
13	PT screw KA 30x25 mm	P...515C
14	Capacitor 0.47 uF	P...393B
15	Electrical terminal (4)	P...383K
16	Distance piece 20x10x35 mm	P...382
17	Self tapping screw M 4x8 mm	P...481Q
18	Relais 24 Volts	500.982
19	Electrical plate	530.329
20	Washer M4	P...496C
21	Pan head tapped screw 3.5x12 mm	P...482I
22	Motor protection switch 10A	500.957
23	Motor protection switch 15A	530.318
24	Hexagon socket screw M 6x12 mm	P...486Q
25	Serrated lock washer M6	P...498K
26	Attachement plate	530.321
27	Blind rivet	P...485C
28	Self tapping screw 4.2x19 mm	P...484M
29	Grey plug housing	P...358B
30	ETA protection cap	500.957A
31	Aluminium angle	530.331
32	Fuse holder	P...364
33	Fuse 1 Ampere	P...407R
34	Splash protection	530.332

# OS-21 Wiring Diagram

## Stromlaufplan RA 530 B



Pos.	Description	Reference
C1	Capacitor 0,47 uF	
D1	Protective diode	
M1	Pump	
M2	Vacuum motor	
M3	Brush motor	
M4	Brush motor	
M5	Brush motor	
R1	Pump relais	
R2	Relais for vacuum motor	
R3	Relais for brush motor (disc brush)	
R4	Relais for brush motor (disc brush)	
R5	Relais for brush motor (roller brush)	
S1	Key switch	
S2	Vac motor switch	
S3	Brush motor switch	
S4	Pump switch	
S5	Security switch	
Si1	Controls fuse (1A)	
Si2	Vacuum fuse (25A)	
Si3	Fuse for pump (5A)	
SS1	Motor protection switch (10A) brush motor (disc brush)	
SS2	Überstromschalter (10A) Bürstmotor-Tellerbürste	
SS3	Überstromschalter (15A) Walzenbürstenmotor	

## OS-21 Accessories

<b>Pos.</b>	<b>Description</b>	<b>Reference</b>
01	Fully automatic battery charger for wet batteries	686.000
02	Fully automatic battery charger for gel batteries	686.100
03	2 Wet traction batteries with 12 V/100 Ah (5 hours) Dimension: 349x175x289 mm/piece	530.090
04	2 Gel-Batterien à 12 V/100 Ah (5 Std.) Masse: 345x174x283 mm/Stück	530.091
05	White brush (hard)	500.062
06	Nylon brush (soft) 0.3 mm	500.064
07	Walzenbürste weich (schwarz) Cylindrical brush soft (black)	530.472
08	Driving disc for pads	500.070
09	Pad white, dm 265 mm	530.901
10	Pad red, dm 265 mm	530.902
11	Pad green/blue, dm 265 mm	530.903
12	Pad brown, dm 265 mm	530.904
13	Pad black, dm 265 mm	530.905
14	Spray and suction hose 5 m	420.011
15	Carpet tool, 1 jet, 23 cm	606.000.2
16	Slide for hard floor cleaning	P...600W
17	Water filling hose (2 meters) with special coupling, so that the hose can be connected with all types of water taps	681.000
18	Sticker Cleanfix	100
19	Packaging material complete	530.850
20	Palet for box	530.853