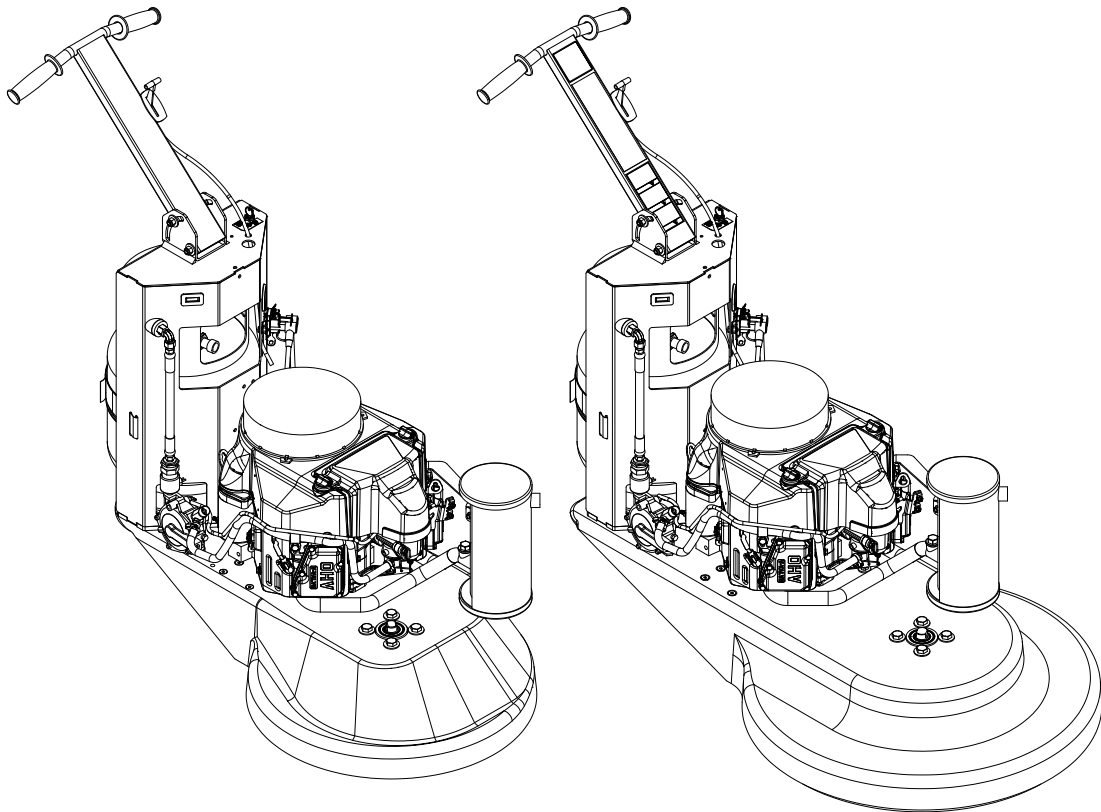


Nilfisk-Advance PBU

Propane Floor Burnisher Equipment



Operator's Manual / Manuel d'utilisation / Libro de Instrucciones

Models: 56384165 (21KACAT), 56384166 (27KACAT)



READ THIS BOOK



LEA ESTE MANUAL

LISEZ CE MANUAL

English (A4 - A22)

Español (B1 - B20)

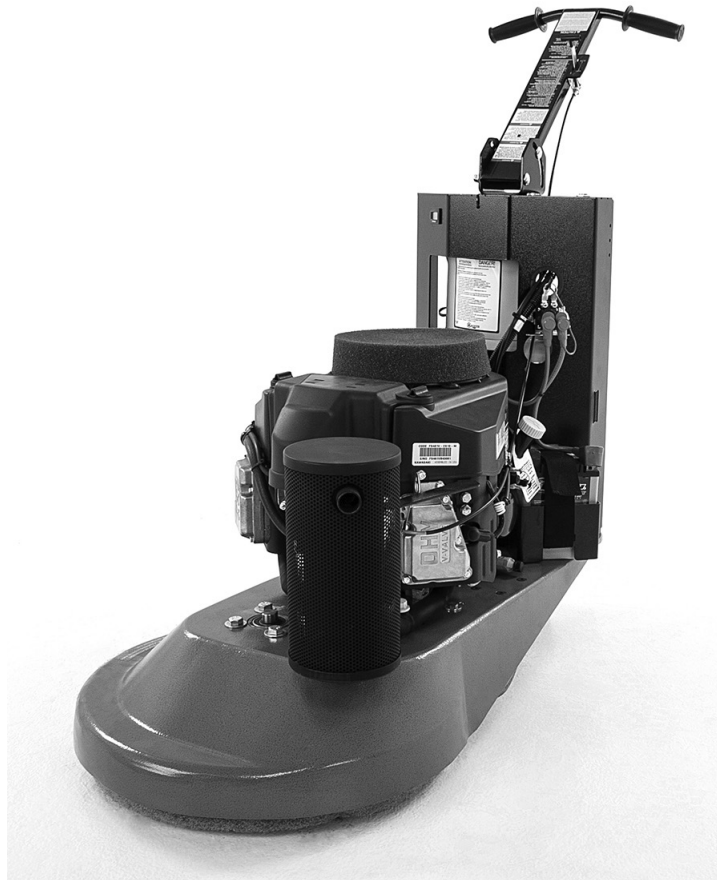
Français (C1 - C20)

This book has important information for the use and safe operation of this machine. Failure to read this book prior to operating or attempting any service or maintenance procedure to your machine could result in injury to you or other personnel; damage to the machine or to other property could occur as well. You must have training in the operation of this machine before using it. If your operator(s) cannot read this manual, have it explained fully before attempting to operate this machine.

All directions given in this book are as seen from the operators position at the rear of the machine.

NOTICE

Proper maintenance is necessary with all propane powered floor machines. Following the scheduled maintenance procedures found in your operation manual will provide many years of uninterrupted service.



In addition to the scheduled maintenance procedures listed it is recommended to have your machine serviced by certified service personnel every three months. This service should include an emissions check.

DANGER! For your safety, if you smell propane:

1. Extinguish any open flame.
2. Open window.
3. Do not touch electrical switches.
4. Immediately call your propane supplier.

DANGER! Do not store or use gasoline or other flammable vapors and liquids in the vicinity of this or any other appliance.

Record This Important Information

Date of Purchase _____

Purchased From _____

Address _____

City _____ State _____ Zip _____

Phone _____ Contact _____

Machine Model _____

Machine Serial Number _____

Important Phone Numbers

Medical Emergency _____

Police _____

Fire Department _____

In this Operation Manual you will find three statements that you must read and observe to ensure safe operation of this machine.

DANGER! indicates that the possibility of severe bodily injury or death can occur if DANGER! statements are ignored. Read and observe all DANGER! statements included in the Operation Manual and attached to the machine.

WARNING! indicates that the possibility of bodily injury to the operator and other people can occur if WARNING! statements are ignored. Read and observe all WARNING! statements included in the Operation Manual and attached to the machine.

CAUTION! indicates that the possibility of damage to the machine or other property can occur if CAUTION! statements are ignored. Read and observe all CAUTION! statements included in the Operation Manual and attached to the machine.

Section A - English Contents

Quick Reference Specifications.....	A6	Oil Filter Replacement.....	A18
Safety Precautions.....	A7	Spark Plug Inspection and Replacement.....	A19
Refueling and Storage of Fuel Cylinders.....	A9	Air Filter Inspection and Replacement.....	A19
Operator Responsibility.....	A9	Inspect Fuel Hose and Connections.....	A19
Machine Preparation.....	A10	Engine Dust Filter.....	A20
Unpacking the Machine.....	A10	Valve Clearance & Re-torque Heads.....	A20
Filling the LP Cylinder.....	A10	Valve Seating.....	A20
Installing the LP Cylinder.....	A10	Head Bolt Maintenance.....	A20
Controls and Instruments.....	A11	Cooling Fin Maintenance.....	A20
Engine Ignition Switch.....	A12	Inspect Pad and Padholders.....	A20
Engine Throttle.....	A12	Belt Maintenance.....	A20
Hour Meter/Tachometer.....	A12	Battery Maintenance.....	A21
Handle Adjustment.....	A12	Machine Storage.....	A21
Pad Change.....	A13	Repacking the Machine.....	A21
Fuses.....	A13	Transporting the Machine.....	A21
Wheel Adjustment.....	A13	Machine Specifications.....	A22
How the Machine Works.....	A14	Section II - Parts Manual.....	D1
Pre-Operation Checklist.....	A14	Electrical Schematic.....	D2
LP Fuel Cylinder.....	A14	Connections.....	D3
Installing the LP Fuel Cylinder.....	A14	Engine Assembly.....	D4
Starting the Machine.....	A15	Deck Sub-Assembly.....	D6
Burnishing.....	A15	Handle Sub-Assembly.....	D8
Idling and Stopping the Machine.....	A15	Main Assembly.....	D10
Machine Troubleshooting.....	A16	Regulator & Solenoid Assembly.....	D12
Scheduled Maintenance Chart.....	A17	Small Off Road Engine Certification Warranty.....	D14
Maintenance.....	A18	Manufacturer's Warranty.....	D14
Oil Level Inspection.....	A18	Safety Awareness Form.....	D15
Oil Change.....	A18		

Quick Reference Specifications:

Capacities:

- Engine Oil:
 - Filter not removed: 1.6qt. (1.5L)
 - Filter removed: 1.8qt. (1.7L)
 - Engine Oil Type: SAE30 with API Service Classification SH or SJ

Routine Maintenance Parts:

- Engine Dust Filter: 56384280
- Engine Oil Filter: 56384270
- Engine Primary Air Filter (Paper Element): 56384272
- Engine Air Pre-Cleaner (Foam Element): 56384268
- Spark Plug: 56384271
- Battery: 56384309
- Drive Belt: 56384347 (21")
56384279 (27")
- Fuses: 56384374 (20A)
- LP Cylinder: 56384288 (Steel)

Safety Precautions

Anyone operating the machine should read the following carefully and be informed of potentially dangerous operating conditions. Operators should be familiar with the location and use of all safety devices on the machine. Do not use the machine if it is not in proper operating condition, and report any damage or operation faults immediately.

DANGER! Operate this machine in a well-ventilated area. It is the responsibility of the machine operator, machine owner, and the site manager to ensure that the air exchange system where the machine is to be used is in compliance with local building codes and is operating properly. Failure to operate this machine in a well-ventilated area could lead to sickness, injury, or death from carbon monoxide (CO) exposure.

DANGER! This machine emits CO, which is colorless, odorless, non-irritating gas. The first symptoms of CO exposure include headache, drowsiness, dizziness, and nausea. If you should experience any of these symptoms while operating the machine, shut off the machine and go outside to get fresh air. Have the machine tested for CO emissions by a qualified service technician before using it again.

DANGER! Prolonged or high exposure to CO may result in vomiting, confusion, and collapse in addition to loss of consciousness and muscle weakness. If such symptoms occur, call 911 for emergency medical attention. If you have experienced these symptoms, **DO NOT** operate this machine or any other propane machine again until cleared by a physician. Excessive exposure to CO can result in death.

DANGER! Propane is a highly flammable fuel. If you smell propane, shut off the machine immediately and take it outside the building. **DO NOT** use the machine again until a qualified service technician has corrected the propane leak. **DO NOT** use or allow another person to use an ignition source such as a cigarette lighter near the propane machine. **DO NOT** smoke near the propane machine. **DO NOT** vent a propane cylinder inside a building. **DO NOT** store propane cylinders inside a building.

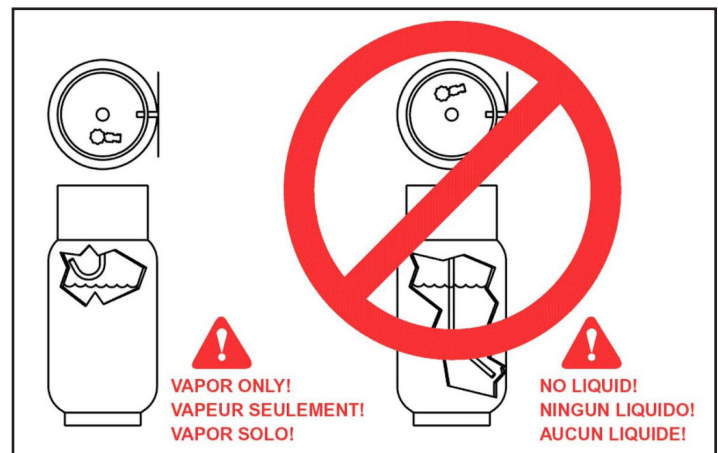
DANGER! This machine has parts, including the pad assemblies, that can cause severe injury if these parts are contacted while they are moving. **DO NOT** allow any part of the body or clothing to come in contact with these parts while they are moving. **DO NOT** try to change attachments while the machine is running. **DO NOT** allow other people to come near the machine while it is in operation. **DO NOT** allow the machine to run unattended. **DO NOT** leave the machine in a place where unauthorized or untrained personnel could use the machine. **DO NOT** run the machine with the pad off center, damaged or missing. **DO NOT** run machine with unsecured guards and shields. **DO NOT** operate the machine if the machine has loose parts.

DANGER! Federal law and California State law prohibits the following acts or the causing thereof: (1) the removal or rendering inoperative by any person other than for purposes of maintenance, repair, or replacement, of any device or element of design incorporated into any new engine for the purpose of emission control prior to its sale or delivery to the ultimate purchaser or while it is in use, or (2) the use of the engine after such device or element of design has been removed or rendered inoperative by any person.

Among those acts presumed to constitute tampering are the acts listed below: **DO NOT** tamper with the original emission related part.

- Throttle body and internal parts
- Spark plugs
- Magneto or electronic ignition system
- Air cleaner elements
- Crankcase
- Cylinder heads
- Breather chamber and internal parts
- Intake pipe and tube
- Regulator
- Fuel lock-off

WARNING! Overfilled or liquid withdraw cylinders can damage the fuel system and create a fire hazard. **DO NOT** overfill the cylinder or use a liquid withdraw cylinder on the machine. If the regulator freezes stop the burnisher and take the cylinder outside. Inspect cylinder, if a vapor withdraw cylinder, use gloves or pliers to open bleeder valve and purge cylinder until only vapor is escaping. If it is a liquid withdraw cylinder, replace with a vapor withdraw cylinder. Both cylinders are shown below.



WARNING! Modifications or alterations to this machine can lead to personal injury or damage to the machine. **DO NOT** make unauthorized modifications or alterations to this machine. Nilfisk-Advance assumes no liabilities for injury or damage resulting from an unauthorized modification or alteration to the machine. Any unauthorized modification or alteration to this machine voids all warranties.

WARNING! The muffler and the engine become hot enough while the machine is in operation, and for a long time after the machine is shut off, to cause severe burns. **DO NOT** touch these parts of the machine until they have cooled.

WARNING! Injury can occur to the eyes and body while using the machine. Safety goggles, safety shoes, and safety clothing are recommended while operating the machine.

WARNING! Continuous exposure to high noise levels can cause hearing loss. Hearing protection is recommended while the machine is in operation.

WARNING! Machine vibration may cause tingling or numbness in the fingers or hands. Gloves are recommended to reduce machine vibration. If tingling or numbness persists, shut off the machine. If the vibration is caused by loose parts, adjust or tighten these parts before using the machine again.

CAUTION! A dirty engine filter can cause overheating. Check and replace following recommended maintenance schedule.

CAUTION! Overheating can be caused by insufficient or low oil. Check oil before each use, and fill or change as needed.

CAUTION! Never over-fill engine with oil. Over-filling could cause irreparable damage to the engine.

CAUTION! Overheating can be caused by dirty oil. Check oil before each use and change regularly following recommended maintenance schedule.

CAUTION! Do not engage starter for more than 5 seconds. Allow a 10 second cool-down period for second failed start-up attempt.

CAUTION! Perform all recommended scheduled maintenance. Regular maintenance of your propane powered floor machine is necessary to keep it in safe working condition.

CAUTION! DO NOT operate machine unless trained and authorized. **DO NOT** operate machine unless you have read and understand the operation manual. **DO NOT** operate machine in flammable or explosive areas.

CAUTION! Before starting machine ensure all safety devices are in place and functioning properly. Before starting machine check for proper operation.

CAUTION! When using machine, go slowly on inclines or slippery surfaces. Use care when operating machine in reverse.

CAUTION! When servicing machine, stay clear of moving parts. **DO NOT** wear loose clothing when working on machine. Block machine wheels before raising or jacking up machine. Use hoist stands that will support the weight of the machine. Wear eye and ear protection when using pressurized air or water. Disconnect battery connections before servicing machine. Use only replacement parts supplied by Nilfisk-Advance or a Nilfisk-Advance Authorized Distributor or Service Center.

CAUTION! When loading or unloading machine onto or off a truck or trailer, turn machine OFF. Only use a truck or trailer that will support the weight of the machine to transport. **DO NOT** push the machine onto or off a truck or trailer unless the load height is 15 in (380mm) or less from the ground. Block machine wheels when transporting. Tie the machine down securely to truck or trailer when transporting.

This machine is manufactured for commercial use only.

This machine is designed and manufactured for indoor use in burnishing wax coated hard floor surfaces. Nilfisk-Advance does not recommend use of this machine in any environment other than an indoor environment. This propane powered floor machine is designed and manufactured for commercial floor burnishing only. This machine is designed to burnish most modern types of floors including composition tile, stone, marble, terrazzo, and resilient floor covering, and some coated wood floors. Even though NFPA 11.13.2.3 says..."the use of floor maintenance machines in buildings frequented by the public, including the times when such buildings are occupied by the public, shall require the approval of the authority having jurisdiction." Nilfisk-Advance suggests usage when occupancy of a given work area is minimal.

These machines should not be used

- In nursing homes, hospitals, day-care centers, etc. that are occupied.
- By unqualified or untrained personnel.
- Unless properly maintained and adjusted.
- On areas with obstructions such as thresholds, floor outlet boxes, etc.
- In areas where loose debris or other objects are present.
- In rooms and areas without proper ventilation.

Refueling and Storage of Fuel Cylinders

This machine uses a 20lb (9.1kg) capacity aluminum or steel cylinder, which meets the DOT 4E240 standards. These cylinders are also listed by UL. In addition, the steel cylinder meets European TPED specifications and is CE compliant. Filling should be done ONLY by a qualified propane dealer. **FILL THROUGH THE SERVICE VALVE ONLY.** A properly filled cylinder should not exceed 80% of the rated capacity.

DO NOT attempt cylinder repair. Return the cylinder to your propane dealer if repair is necessary. Please note that DOT regulations prohibit shipping of cylinders after the cylinder has been filled with propane. When not in use, cylinders should always be stored outside in an upright position in a secure, tamper-proof, steel mesh storage cabinet. The cabinet may be located next to the building, but with at least five feet (1.5 m) of space between the cabinet and the nearest building opening (door or window). The cylinder to be used on this machine is a vapor withdraw cylinder. **A liquid withdraw cylinder is not to be used with this machine.** The use of a liquid withdraw cylinder on a vapor withdraw system could freeze the regulator and create a fire hazard. The National Fire Protection Association (NFPA) Standard for Storage and Handling of LP Gas is the appropriate authority for safe propane use. A copy of this publication is available through the National Fire Protection Association (1-800-344-3555) or www.NFPA.org.

Operator Responsibility

The operator is responsible for performing the recommended daily maintenance and checkups of the machine to keep it in good working condition. The operator must inform the service mechanic or supervisor when recommended maintenance procedures are required as described in the "MAINTENANCE" section of this manual.

- Read this manual carefully before operating this machine.
- FOR SAFETY: **DO NOT** operate machine before reading and understanding the operation manual.
- Check the machine for shipping damage.

Keep your machine regularly maintained by following the maintenance information in this manual. Order parts and supplies only from an Authorized Nilfisk-Advance Distributor. Use the parts illustration section of your manual when ordering parts. During and after operation, perform the recommended daily and hourly procedures outlined in the Maintenance Chart.

Machine Preparation

Unpacking the Machine

The machine is shipped boxed on a wooden pallet. To unpack machine:

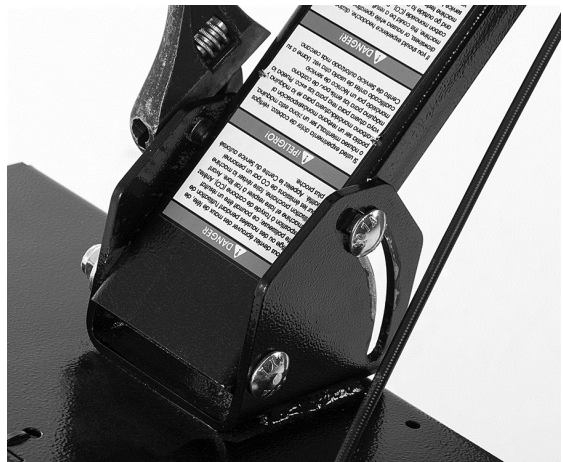
1. Cut and remove bands holding the box to the pallet.
2. Remove staples attaching the box to the platform at the bottom edge of the box.
3. With two people, one at either end of the box, lift box straight up and off machine.
4. Cut and remove bands securing the machine to the pallet.
5. Remove back brace.
6. Remove adjustment lever, bolt, and washer from handle.



7. Rotate handle to the user position. Then insert the bolt through the handle bracket and handle top.



8. Place the washer and adjustment lever on the bolt. Adjust the handle to the desired height and tighten the adjustment lever.



9. Connect the battery cables to the battery.

NOTE: Connect the red cable to the (+) post and the black cable to the (-) post.

10. Check machine fluid levels (engine oil). See *Maintenance* section.

NOTE: If machine was shipped by airfreight, add engine oil.

11. Carefully back the machine off of the pallet.

Filling the LP Cylinder

This machine uses the 20 lb (9.1 kg) capacity cylinder, which meets the D.O.T. 4E240 standards. These cylinders are also listed by UL. In addition, the steel cylinder meets European TPED specifications and is CE compliant. Filling should be done **ONLY** by a qualified propane dealer. A properly filled cylinder should not exceed 80% of the rated capacity. Do not overfill the cylinder or use a liquid withdraw cylinder on the machine. The use of a liquid withdraw cylinder on a vapor withdraw system could freeze the regulator and create a fire hazard.

Installing the LP Cylinder

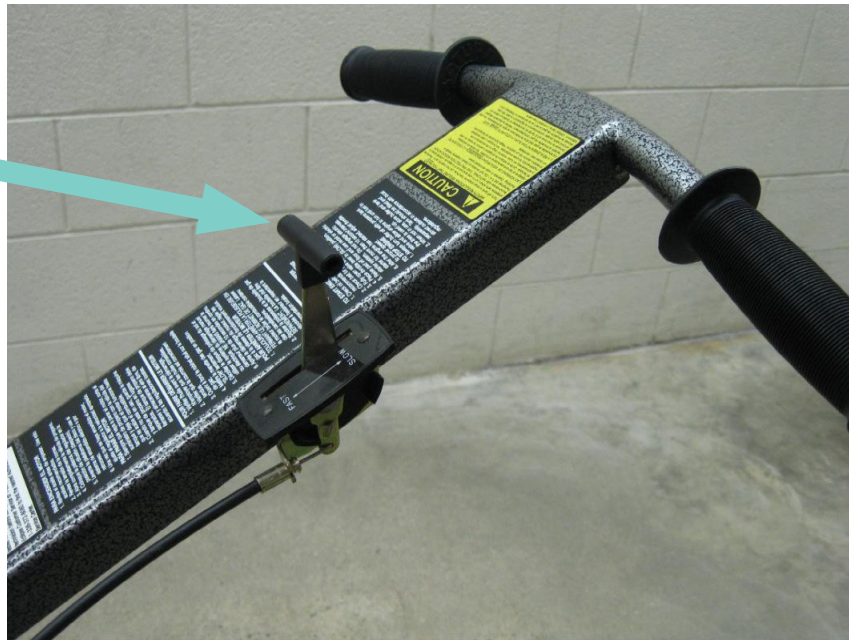
Place the cylinder on the cylinder platform at the back of the machine. Connect the fuel hose coupling to the service valve by turning to the right (clockwise). **HAND TIGHTEN ONLY!** Make sure coupling is not cross threaded and check for leakage by noting any propane odors immediately after cylinder is connected. Finally, secure the tank to the machine using the adjustable strap. Remove slack by pulling on the loose end and securing with the velcro.

TO REMOVE THE LP CYLINDER, reverse the above procedure. Always connect or change cylinders in a well-ventilated area.

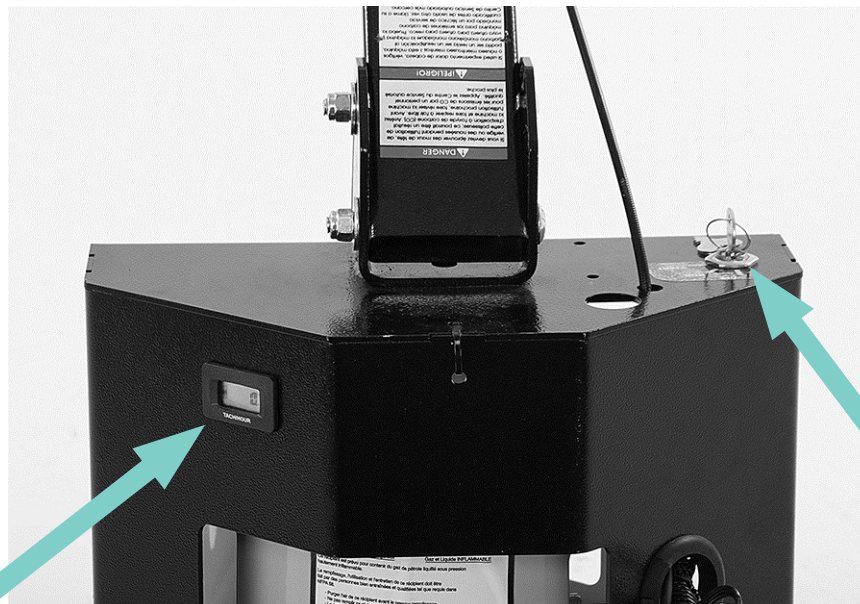
Machine Components

Controls and Instruments

Engine Throttle



Hour Meter /
Tachometer



Ignition
Switch

Engine Ignition Switch

This machine features a key switch ignition.

Start: Turn the key all the way clockwise or START to engage the engine starter motor. Once the engine starts release the key.

Note: Always start this machine with the engine throttle in the idle or “slow” position.

Run: This is the position of the key while the engine is running.

Off: Turn the key to the “OFF” position to stop the engine from running.

Note: For safety, always close the propane cylinder valve to stop the engine and then turn the key switch to the “OFF” position.



Engine Throttle

The engine throttle controls the engine speed. To increase engine speed, move the hand lever forward. For idle position, pull the lever back.



Hour Meter / Tachometer

The hour meter / tachometer records the number of hours the machine has been powered ON. The hour meter reading is used to mark recommended maintenance intervals. It also displays the engine speed. This meter displays hours when the machine is turned OFF and engine speed when the machine is turned ON.



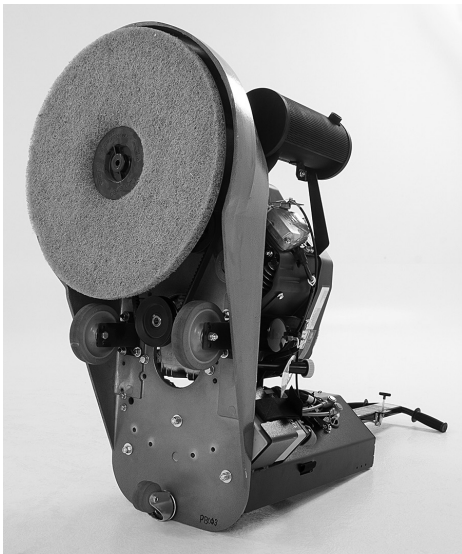
Handle Adjustment

1. The height of the handle can be adjusted by raising or lowering the handle.
2. If necessary, use a wrench to loosen the nut that retains the handle in the adjustment bracket.



Pad Change

1. Close the valve on the propane cylinder, allow the engine to stop and turn the machine OFF.
2. Remove the propane cylinder.
3. Raise the handle to the full-up position (about a 45° angle).
4. Lift up on the front of the deck rocking the machine back until it rests on the handle grips.



5. Remove centering device and inspect pad. If pad has worn to less than a 1/4" (6mm) thick, replace it.



CAUTION! Carefully inspect the pad holder for cracks or damage. Replace if necessary.

WARNING! A damaged pad holder rotating at high speeds may be an extreme hazard if it should come apart.

6. When lowering the machine down, do not drop the machine. Slowly lower the machine to the floor until the wheels are on the ground.

Fuses

The machine's electrical circuit is protected by a fuse, which stops the flow of current in the event of a circuit overload. Once a fuse blows, it must be replaced. If the overload that caused the fuse to fail is still present, the new fuse will fail and the problem must be corrected. **DO NOT** bypass any fuse. The ignition fuse is located on the side of the starter switch panel.

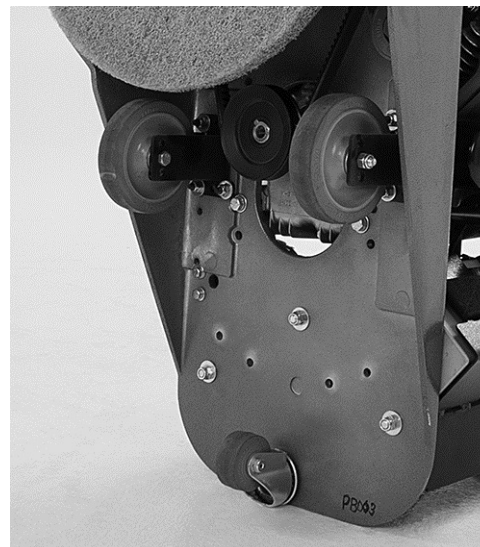
Fuse



Wheel Adjustment

1. Close the valve on the propane cylinder, allow the engine to stop and turn the machine OFF.
2. Remove the propane cylinder.
3. Raise the handle to the full-up position (about a 45° angle).
4. Rock the machine by lifting up on the front of the machine until it rests on the handle grips.
5. Remove the bolt that retains each wheel and relocate to the desired wheel position.

NOTE: To increase pad pressure (more aggressive) move wheels to rear of machine. To decrease pad pressure (less aggressive) move wheels toward the front of machine.



How the Machine Works

This machine is a propane burnisher that has a pad driver that is belt driven directly from the engine crank shaft.

Pre-Operation Checklist

- Check the engine oil level. Add oil if needed. Refer to *Maintenance*.
- Inspect the engine dust filter and clean off any debris or dust buildup. Refer to *Maintenance*.
- Inspect the burnishing pad and replace, if necessary. Refer to *Maintenance*.
- Inspect the pad holder for cracks or damage! Replace if necessary. Refer to *Maintenance*.

WARNING! A DAMAGED PAD HOLDER ROTATING AT HIGH SPEEDS MAY BE AN EXTREME HAZARD IF IT SHOULD DISINTEGRATE.

- Inspect air filter. Clean or replace if necessary. A dirty air filter could lead to elevated levels of carbon monoxide. Refer to *Maintenance*.
- Inspect the drive belt. Replace if necessary. Refer to *Maintenance*.
- Check the machine for leaks or loose fasteners.

LP Fuel Cylinder

This machine uses the 20 lb (9.1 kg) capacity cylinder, which meets the D.O.T. 4E240 standards. These cylinders are also listed by UL. In addition, the steel cylinder meets European TPED specifications and is CE compliant. Filling should be done **ONLY** by a qualified propane dealer. A properly filled cylinder should not exceed 80% of the rated capacity. Do not overfill the cylinder or use a liquid withdraw cylinder on the machine. The use of a liquid withdraw cylinder on a vapor withdraw system could freeze the regulator and create a fire hazard.

Installing the LP Cylinder

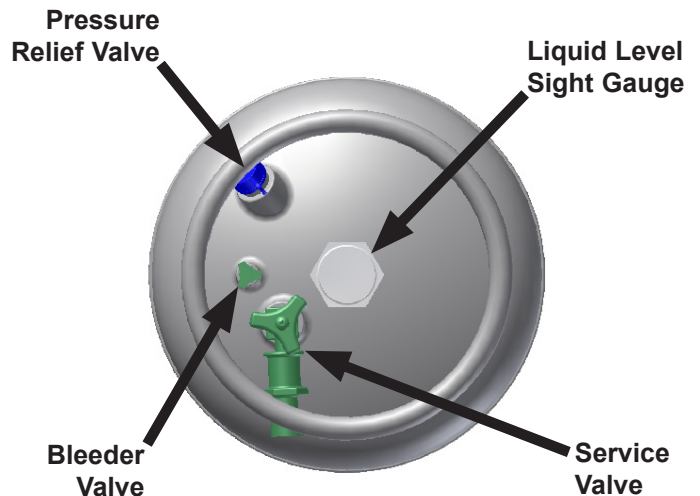
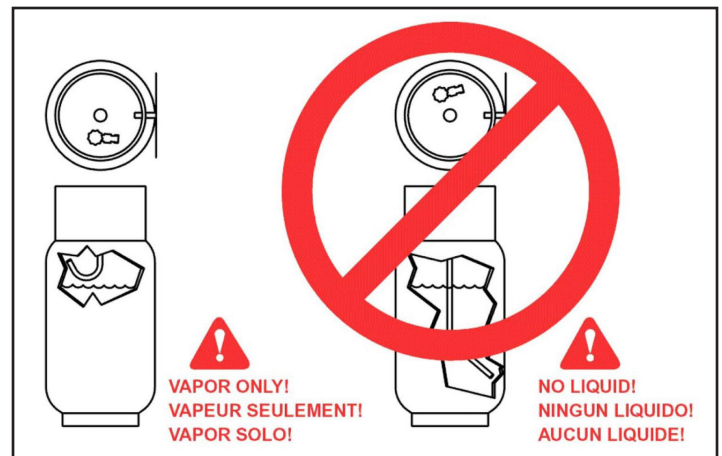
1. Before bringing a propane cylinder indoors, always check it for over-filling.
2. Place the tank on the machine and secure with the retaining strap. Remove slack by pulling on the loose end of the strap and secure back to strap. Connect the fuel hose coupling to the service valve by turning clockwise. **"HAND TIGHTEN ONLY."** Make sure coupling is not cross threaded and check for leakage by noting any propane odors immediately after cylinder is connected. (It is sometimes easier to install if the connection to the service valve is made before strapping the cylinder in place.)

CAUTION! Always open service valve slowly to allow pressure to equalize in hoses. Opening quickly may cause the flow check valve to engage, limiting fuel flow.

TO REMOVE THE CYLINDER, reverse procedure. Always connect or change cylinders in a well ventilated area.



Only Use a Vapor Cylinder!



Starting the Machine

1. Check oil and fuel levels.
2. Check and clean engine dust filter. **CAUTION!** Never run continuously for more than 1 hour without cleaning or changing engine dust filter.
3. Check carburetor air filter. Change if necessary. (See "Scheduled Maintenance")
4. Turn propane service valve counterclockwise to open. **CAUTION!** Always open service valve slowly to allow pressure to equalize in hoses. Opening quickly may cause the flow check valve to engage, limiting fuel flow.
5. Allow machine to tilt backward (pad off floor) and move throttle to SLOW (IDLE) position.
6. With the engine throttle lever in the idle position, engage the starter by turning the key switch to the starting position for approximately 5 seconds. If the engine does not start, release the key switch for 10 seconds, then try to start again in another 5 seconds.
7. After the engine has started, move the throttle forward approximately halfway and allow the engine to warm up for approximately 30 seconds.

WARNING! Catalytic mufflers require a few minutes to warm up before effectively removing harmful emissions. Make sure of proper ventilation during this warm-up period!

Burnishing

1. After engine has started, allow approximately 30 seconds for the engine to warm up.
2. Advance the throttle to operating speed.
3. Lower the burnishing head to the floor while moving the machine forward slowly.

CAUTION! Do not run the burnisher without moving the machine. If the machine is allowed to run in one spot, damage to the floor may occur.

4. To stop burnishing, push down on handle to raise the burnishing head off the floor.

CAUTION! DO NOT add weight to the burnisher head.

CAUTION! DO NOT lift up on the handle to add pressure while burnishing.

Note: To not comply with any of the **CAUTION!** statements could cause the engine to overheat and/or damage the padholder or drive components.

Note: It is recommended to start burnishing on the right side of the aisle, turn and come back down the aisle in the opposite direction, overlapping the previous path slightly. Continue this pattern until the floor area to be burnished has been covered with the last pass being on the right side of the machine. The forward speed is generally at normal walking speed.

5. When done burnishing, push the machine to the desired location. Turn off the LP cylinder service valve. When the fuel is depleted and the engine stops, turn the key switch OFF.
6. Remove the LP cylinder and store properly. Refer to *Refueling and Storage of Fuel Cylinders*.

Idling and Stopping the Machine

DANGER! Allowing the engine to idle excessively will increase carbon monoxide emissions!

To stop the engine, close the service valve on the fuel cylinder by turning it clockwise (the engine will stop when the fuel in the lines is used up). Once the engine stops, turn the keyswitch off.

Machine Troubleshooting

Problem	Possible Cause	Solution
Engine is hard to start	Propane cylinder is not properly connected.	Check connection and open service valve slowly.
	Battery is weak.	Charge battery or replace.
	Oil level is to low.	Check the oil level and add if needed.
	Insufficient vacuum.	Place the engine throttle in the idle "slow" position.
		Check the regulator vacuum hose for breaks, pinched hose, or a bad connection.
	Coil air gap out of adjustment.	Adjust coil air gap (Check FS481V Service Manual). Contact a certified technician.
	Spark plug or head bolts loose.	Retorque (Check FS481V Service Manual). Contact a certified technician.
Head gasket blown or valves need adjusting	Replace head gasket, adjust valves and replace if necessary (Check FS481V Service Manual). Contact a certified technician.	
Engine will not start	Propane cylinder is empty.	Install properly filled cylinder.
	Oil level is to low.	Check the oil level and add if needed.
	Machine is in the pad change position.	Lower the machine to operating position.
	Main fuse is blown.	Inspect fuse and if blown replace
	Insufficient vacuum.	Place the engine throttle in the idle "slow" position.
		Check the regulator vacuum hose for breaks, pinched hose, or a bad connection.
	Head gasket blown or valves need adjusting	Replace head gasket, adjust valves and replace if necessary (Check FS481V Service Manual). Contact a certified technician.
	Wires broken or disconnected.	Reconnect or replace wires. Contact a certified technician.
	Coil(s) defective.	Replace coil(s) (Check FS481V Service Manual). Contact a certified technician.
	Spark plug gap is incorrect.	Adjust gap to 0.025" (.64mm)
Spark plug defective.	Replace spark plug.	
Engine lacks power	Insufficient vacuum.	Place the engine throttle in the idle "slow" position.
		Check the regulator vacuum hose for breaks, pinched hose, or a bad connection.
	Dirty air filter(s).	Clean or replace the primary filter (paper element).
		Clean or repalce the secondary filter (foam element).
	Governor out of adjustment or malfunctioning.	Adjust governor and replace if necessary (Check FS481V Service Manual). Contact a certified technician.
	Head gasket leaking.	Replace head gasket (Check FS481V Service Manual). Contact a certified technician.
	No compression.	Worn piston ring(s) and/or cylinder head(s) require replacement (Check FS481V Service Manual). Contact a certified technician.
Fuel mixture is to lean.	Check and adjust fuel mixture if necessary. Contact a certified technician.	
Valves need adjusting or replacing.	Adjust valves (Check FS481V Service Manual). Contact a certified technician.	
Smell or burned rubber	Belt out of adjustment.	Check the automatic tensioner
Machine vibrates	Loose fasteners.	Check the engine, tensioner, spindle, and pad holder fasteners. Tighten any fasteners that may be loose.
	Pad is not centered on the pad holder.	Remove pad and re-center on padholder. Replace the pad with a new pad if necessary.
	Padholder is out of balance.	Remove pad holder from the macine and clean both sides. Check for cracks or tears. Replace if necessary.
Machine is burnishing too aggressively	Wheels are adjusted to far back.	Move both wheels forward in the wheel bracket.
	Improper pads.	Only use recommended burnishing pads.
Machine pulls to one side	Bent wheel bracket.	Replace wheel bracket.
	Wheel is worn or a bad bearing.	Replace wheel.
	Wheels are adjusted to far back.	Move both wheels forward in the wheel bracket.
Engine stops running	Propane cylinder is empty.	Install properly filled cylinder.
	Engine oil level is to low.	Check the oil level and add if needed.
	Dirty air filter.	Clean both filters or replace if necessary.

Scheduled Maintenance

Operation	Interval							
	Daily	First 8 Hrs.	Every 50 Hrs.	Every 100 Hrs.	Every 200 Hrs.	Every 300 Hrs.	Every 400 Hrs.	Every 500 Hrs.
Check & add engine oil	●							
Check for loose or lost fasteners	●							
Check for oil leakage	●							
Inspect fuel hose and connections	●							
Clean Engine dust filter	●							
Inspect pad holder	●							
Change Engine Oil		●	●					
Change engine oil filter		●		●				
Check & clean air cleaner paper element				●				
Check & clean air cleaner foam element				●				
Inspect battery and battery connections				●				
Replace air cleaner paper element					●			
Replace air cleaner foam element							●	
Inspect, clean, & re-gap spark plugs, Replace if necessary				●				
Check & adjust valve clearance.* Retorque heads.*						●		
Clean & lap valve seating surface.*						●		
Check engine emissions								●
Clean cooling fins			●					
Inspect drive belt				●				
Inspect burnishing head assembly			●					
Replace drive belt	As Required							
* Check Service Manual. Contact a Certified Technician.								

Maintenance

Oil Level Inspection

1. Push machine to level surface.
2. Turn off LP cylinder and remove it.
3. Clean area around the oil gauge before removing it.
4. Remove the oil gauge and wipe it with a clean cloth.



5. The machine should be in an upright level position. If necessary, place a block under the back of the machine or apply weight to the front of the deck to maintain an upright, level position.
6. Insert the oil gauge into the tube, but do not tighten the oil gauge.
7. Check the oil level. It should be between the "FULL" and "ADD" marks on the oil gauge.

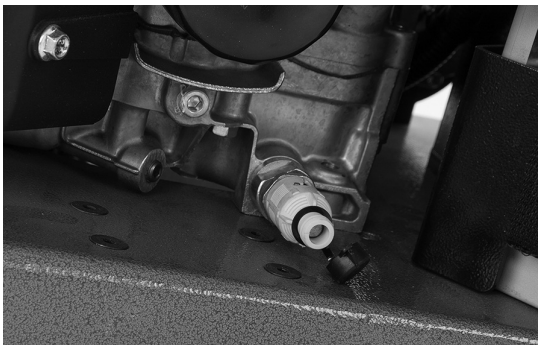
Note: If the oil level is near or below the "ADD" mark, remove the oil gauge and add enough engine oil to bring oil level to the "FULL" mark. (Use only SH or SJ SAE30 Oil)

Note: If the oil level is too high, remove the excess oil by loosening the oil drain valve.

CAUTION! Do not fill above the "FULL" mark. Excess oil will cause a smoking condition and may cause the engine to overheat.

Oil Change

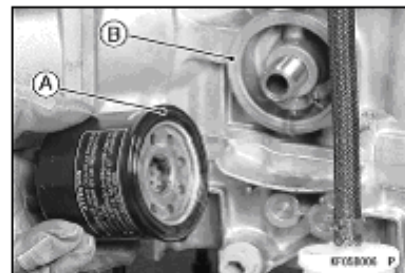
1. Change the oil after the first 8 hours of operation and every 50 hours thereafter.
2. Start and warm the engine so the oil will drain easily and completely. Push machine to a level surface. Stop the engine.
3. Turn off LP cylinder and remove it.
4. Remove cap on the end of oil drain valve.



5. Attach a piece of 1/2" tubing on the end of the oil drain valve (approx. 8" long).
6. Place a suitable container under the end of the oil drain hose.
WARNING! Be careful with hot oil being drained. It may be hot enough to cause severe burns.
7. Slowly turn the valve counter-clockwise, approximately 1/8 of a turn, then gently pull the valve outward to open the valve.
Note: In order for the oil to drain, it may be necessary to loosen the oil fill cap.
8. When the oil has finished draining, push the oil drain valve inward and turn the valve 1/8 turn clockwise. Place cap back on the end of the valve.
9. Remove oil cap and add clean SH or SJ SAE 30 oil. Use 1.6 U.S. qt. (1.5 L) when the filter is not changed and 1.8 U.S. qt. (1.7 L) when filter is changed.
10. Screw in oil gauge. Reconnect the LP cylinder to the fuel hose.
11. Run the engine at low idle for 2 minutes. Check for leaks around the engine.
12. Stop the engine. Check the oil level (see *Oil Level Inspection* section).

Oil Filter Replacement

1. Place a suitable container underneath the oil filter.
2. Using a strap wrench or oil filter wrench, remove the oil filter. Turn the filter counter-clockwise to remove it.
3. Apply a thin coat of new oil or grease to the oil filter seal (A).



4. Install the new filter (**Part # 56384270**) by turning it clockwise.
5. Turn the filter until the seal contacts the mounting surface (B) of the engine. Then, turn the filter "BY HAND" 3/4 turn more.
6. Reconnect the LP cylinder to the fuel hose.
7. Run the engine at low idle for 2 minutes. Check for leaks around the engine.
8. Stop the engine. Check the oil level (see *Oil Level Inspection* section).

Spark Plug Inspection and Replacement

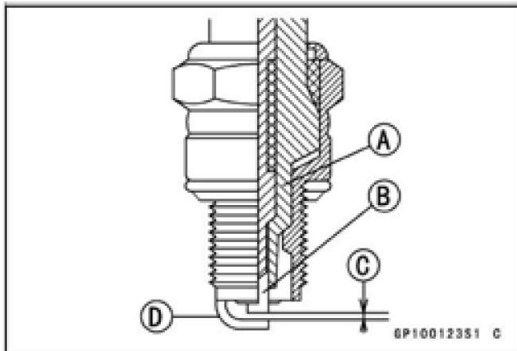
1. Turn off LP cylinder and remove it.
2. Pull spark plug cap off of spark plug.
3. Remove spark plug by turning counter-clockwise and inspect it.

Note: If the plug is oily or has carbon build up on it, clean the plug using a high flash-point solvent and a wire brush or other suitable tool.

Note: If the spark plug electrodes are corroded or damaged, or if the insulator is cracked, replace the plug. **Use Only Part # 56384271. DO NOT use any other spark plug!**

4. Measure the gap with a wire-type thickness gauge. The correct gap is .025 in (.635 mm). If the gap is incorrect, carefully bend the side electrode with a suitable tool to obtain the correct gap.

- A: Insulator
- B: Center Electrode
- C: Plug Gap
- D: Side Electrode



Air Filter Inspection and Replacement

1. Push machine to level surface.
2. Turn off LP cylinder and remove it.
3. Turn the two knobs 1/4 turn counter-clockwise and remove the filter cover.



4. Loosen clamp that retains filter and remove the air filter.

CAUTION! Do not wash the air cleaner filters. Do not oil the air filters. Do not use pressurized air to clean the air filters.

5. Inspect both primary and secondary air filters. If necessary, clean primary filter by lightly tapping and wipe seal ends with a clean cloth. If primary filter cannot be cleaned, is bent, or damaged, it must be replaced. **(Part # 56384272)** If secondary filter is dirty, do not attempt to clean it. Replace it with a new filter **(Part #56384268)**.
6. Check the intake hose for cracks or damage.
7. Install filters and replace cover.

Inspect Fuel Hose and Connections

1. Push machine to level surface.
2. Turn off LP cylinder and remove it.
3. Inspect hoses for abrasions and other signs of wear. Replace all worn or damaged hoses.
4. Check for gas leaks by spreading a soapy water solution around all connections while the LP cylinder is reconnected and the service valve is turned ON.



5. If a leak is detected, turn off the LP cylinder. If the leak is in a hose, replace it. If the leak is at a fitting, loosen and clean it. Apply pipe-sealing compound and re-tighten it.
6. Recheck for leaks using a soapy water solution. If leaks persist at fittings, replace them and recheck with a soapy water solution once more.

Engine Dust Filter

1. The engine dust filter should be cleaned each hour and after each use by shaking out the dust and then rinsing with mild detergent. The filter can also be vacuumed with a wet-dry vacuum.
2. Squeeze out the excess water (*Do Not Wring*).
3. Allow the filter to air dry.

Note: Failure to maintain a clean engine filter will cause the engine to overheat. Also, it may cause the exhaust emissions to elevate to harmful levels. If necessary, replace with **(Part # 56384280)**.



Valve Clearance & Re-torque Heads:

Refer to Kawasaki's FS481V service manual.

Valve Seating:

Refer to Kawasaki's FS481V service manual.

Head Bolt Maintenance

Refer to Kawasaki's FS481V service manual.

Cooling Fin Maintenance

- A. Remove blower housing and any other shrouds.
- B. Clean the cooling fins as necessary using compressed air or pressure washer.
- C. Reinstall all housings and shrouds.

Inspect Pads and Pad Holders

1. Push machine to level surface.
2. Turn off LP cylinder and remove it.
3. Rock the machine back by lifting up the front of the machine until it rests on the handle grips. (See "Rok-Bak/Handle Adjustment" section.)
4. Remove centering device and inspect the pad. If the pad has worn less than 1/4" (6 mm), replace it.
5. Inspect the pad holder for cracks or damage. If the pad holder does not have any damage proceed to step 9.

WARNING! A damaged pad holder rotating at a high rate of speed may be an extreme hazard if it should come apart.

6. If the pad holder needs to be removed, a 3/4" wrench will be required. Locate the wrench flats on top of the spindle shaft. With the spindle shaft secure, turn the pad holder counter clockwise until it is free of the spindle shaft.
7. Save the washer and/or spacer that is on the spindle shaft. Be sure they are in place when the pad holder is re-installed.
8. When threading the pad holder onto the spindle shaft, use the wrench to keep the shaft from turning. Be sure the pad holder is tight before proceeding.
9. Secure the pad with the centering device.
10. Lower the machine.

Belt Maintenance

1. Push machine to level surface.
2. Turn off LP cylinder and remove it.
3. Place the machine in the rock back position by lifting up on the front of the machine until it rests on the handle grips.
4. Rotate the pad drive and inspect the belt.
5. If cracks or excessive wear is present, the belt needs to be replaced.
6. To check for the proper tightness, squeeze the belt together. The belt should depress between 1/4" (0.6 cm) and 1/2" (1.3 cm).

To Change Belt

(21") Part #: 56384347

(27") Part #: 56384279

- A. Remove the pad holder by holding the end of the shaft on the top of the machine with a 3/4" wrench and turn the pad holder counter-clockwise.
- B. Use the 3/4" wrench to turn the end of the spindle shaft on top of the machine while removing the old belt from the spindle pulley.
- C. Finish removing the belt from the engine pulley, if necessary.
- D. Check engine pulley for correct alignment with the spindle pulley. Check hardware attaching pulleys for proper tightness.
- E. Install the new belt onto the engine pulley.
- F. Reinstall the new belt onto the spindle pulley using the 3/4" wrench to turn the spindle clockwise. Make sure the belt is correctly placed on the idler pulley.
- G. Reinstall the pad holder onto the spindle shaft.
- H. Lower the machine to the burnishing position.
- I. Check belt for correct operation. Check all hardware for proper tightness.

Battery Maintenance

The battery supplied with this machine is a sealed, absorbed glass mat (AGM), maintenance free type. It never needs servicing. When battery replacement is necessary (**Part #: 56384309**).

1. Push machine to level surface.
2. Turn off LP cylinder and remove it.



3. Disconnect the BLACK negative battery cable first. Disconnect the RED positive battery cable last.
4. Loosen battery-retaining strap.
5. Lift out old battery and replace with new battery.
6. Secure battery with battery-retaining strap.
7. Connect the RED positive battery cable first. Connect the BLACK negative battery cable last.

Note: *Dispose of old battery in the proper manner. Most auto parts stores accept used batteries for recycling.*

PROPOSITION 65 WARNING

- Battery posts, terminals, and related accessories contain lead and lead compounds, chemicals known to the State of California to cause cancer and reproductive harm.
- Batteries also contain other chemicals known to the State of California to cause cancer.
- Wash hands after handling.

Machine Storage

Only authorized, trained personnel should have access to propane cylinders and machines.

1. Remove propane fuel cylinder when not in use and store it outside in a storage cage in accordance with NFPA Handbook 58 CAN/CGAB149.2. Do not release or bleed propane inside the building. Please consult your local Fire Marshal to ensure that you are in compliance with local fire codes.
2. Store machine away from objects that may fall and damage it.
3. Never store machine or fuel cylinders near an open flame or heat-producing device.
4. Make sure machine is cleaned properly before storing.
5. Never store machine with cylinders installed, or store spare cylinders in an enclosed van or trailer.
6. Store machine in a dry location, temperature not to exceed 120°F (50°C).

Repacking the Machine

Refer to *Unpacking* and repack the machine using original packing materials and container. Store machine in a dry location, temperature not to exceed 120°F (50°C).

Transporting the Machine

When transporting a propane powered floor machine with the fuel cylinder installed, the cylinder should be securely fastened with the service valve closed and the machine should be secured in the vehicle. Any propane fuel cylinders not installed should be securely fastened to avoid movement and damage. Never store machine with cylinder installed or store spare cylinders in an enclosed van or trailer. It is a good practice to check propane cylinders for overfilling before transporting them. If overfilled, correct before loading them in the vehicle by venting the excess propane outside in a safe area using the bleeder valve.

Machine Specifications

<u>Starting:</u>	12VDC Battery
<u>Deck:</u>	Cast Aluminum
<u>Sound Level:</u>	< 89 dB(A)
<u>Vibration:</u>	Less than 2.5 m/s ²
<u>Engine:</u>	Kawasaki FS481V, 603cc Air Cooled
<u>Engine Speed:</u>	Idle - 1800-2000 rpm High Idle - 3400-3500 rpm
<u>Engine Oil:</u>	SAE 30 w/ API Service SH or SJ
<u>Engine Oil Capacity:</u>	Filter not removed - 1.6qt (1.5L) Filter removed - 1.8qt (1.7L)
<u>Engine Primary Air Filter (Paper Element):</u>	56384272
<u>Engine Air Pre-Cleaner (Foam Element):</u>	56384268
<u>Spark Plug:</u>	56384271
<u>Spark Plug Gap:</u>	0.025 in. (0.635 mm)
<u>LP Cylinder Type:</u>	20lb (9.1 kg) Vapor Withdraw

21" Machines

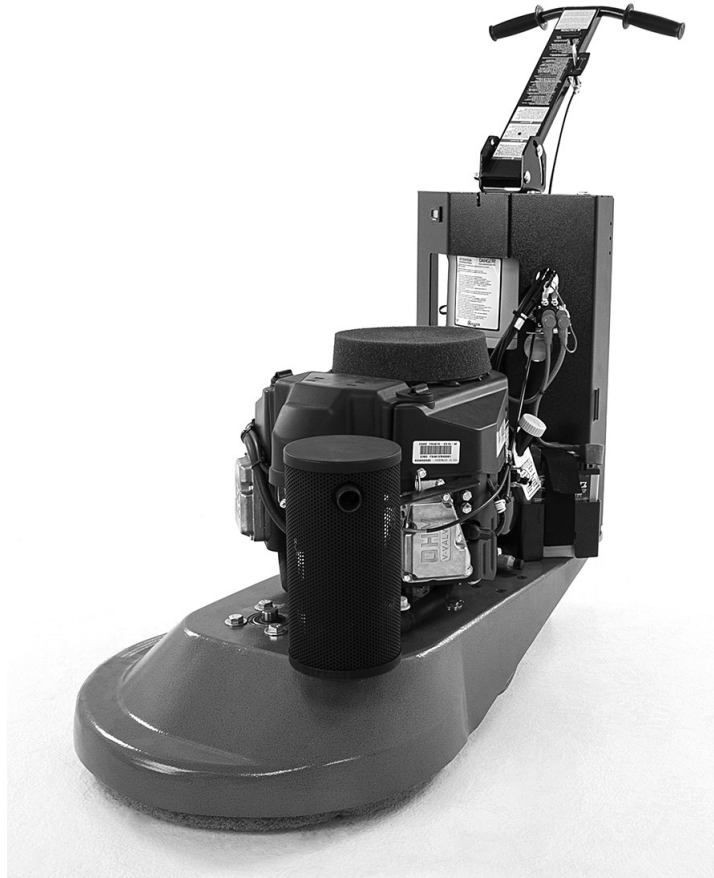
Pad Size:	21" (53.3 cm)
Pad Speed:	2000 RPM
Width:	23.5" (59.7 cm)
Length:	56" (142.4 cm)
Height:	39.5" (100 cm)
Weight:	187 lb (w/o cylinder) (85 kg)

27" Machines

Pad Size:	27" (68.6 cm)
Pad Speed:	1500 RPM
Width:	30.5" (77.5 cm)
Length:	61.5" (156.2 cm)
Height:	41.0" (104 cm)
Weight:	200 lb (w/o cylinder) (91 kg)

AVISO

Es necesario hacer el mantenimiento correspondiente a todas las máquinas para pisos propulsadas con propano. Cuando se siguen los procedimientos de mantenimiento programado que se indican en su manual de funcionamiento, se obtienen muchos años de servicio ininterrumpido.



Además de los procedimientos de mantenimiento programado incluidos, se recomienda que su máquina reciba servicio cada tres meses por personal de servicio certificado. Este servicio debe incluir una revisión de emisiones.

¡PELIGRO! Para su seguridad, si detecta olor a propano:

1. Apague cualquier llama expuesta.
2. Abra las ventanas.
3. No toque interruptores eléctricos.
4. Llame inmediatamente a su proveedor de propano.

¡PELIGRO! No almacene ni use gasolina ni vapores y otros líquidos inflamables cerca de este o de cualquier otro dispositivo.

Registre esta información importante

Fecha de compra _____

Comprado de _____

Dirección _____

Ciudad _____ Estado _____ Código postal _____

Teléfono _____ Contacto _____

Modelo de la máquina _____

Número de serie de la máquina _____

Números telefónicos importantes

Emergencias médicas _____

Policía _____

Departamento de bomberos _____

En este manual de funcionamiento encontrará tres declaraciones que debe leer y observar para garantizar el funcionamiento en forma segura de esta máquina.

¡PELIGRO! indica que puede existir la posibilidad de lesiones corporales graves o la muerte si las declaraciones resaltadas con la palabra **¡PELIGRO!** se pasan por alto. Lea y observe las declaraciones resaltadas con la palabra **¡PELIGRO!** que se incluyen en el manual de funcionamiento y las que encuentre en la máquina.

¡ADVERTENCIA! indica que puede existir la posibilidad de lesiones corporales para el operador y otras personas si las declaraciones resaltadas con la palabra **¡ADVERTENCIA!** se pasan por alto. Lea y observe las declaraciones resaltadas con la palabra **¡ADVERTENCIA!** que se incluyen en el manual de funcionamiento y las que encuentre en la máquina.

¡PRECAUCIÓN! indica que puede existir la posibilidad de daños a la máquina y a la propiedad si las declaraciones resaltadas con la palabra **¡PRECAUCIÓN!** se pasan por alto. Lea y observe las declaraciones resaltadas con la palabra **¡PRECAUCIÓN!** que se incluyen en el manual de funcionamiento y las que encuentre en la máquina.

Sección A — Contenido

Especificaciones para referencia rápida	B6
Precauciones de seguridad	B7
Llenado y almacenamiento de cilindros de combustible	B9
Responsabilidad del operador	B9
Preparación de la máquina	B10
Desempacado de la máquina	B10
Llenado del cilindro de LP	B10
Instalación del cilindro de LP	B10
Controles e instrumentos	B11
Interruptor de encendido del motor	B12
Acelerador del motor	B12
Horómetro/tacómetro	B12
Ajuste de la palanca	B12
Cambio de la almohadilla	B13
Fusibles	B13
Ajuste de las ruedas	B13
Funcionamiento de la máquina	B14
Lista de verificación para antes del funcionamiento	B14
Cilindro de combustible de LP	B14
Instalación del cilindro de combustible de LP	B14
Arranque de la máquina	B15
Pulido	B15
Funcionamiento a ralentí y apagado de la máquina	B15
Localización de averías en la máquina	B16
Tabla de mantenimiento programado	B17
Mantenimiento	B18
Inspección del nivel de aceite	B18
Cambio del aceite	B18

Sustitución del filtro de aceite	B18
Inspección y sustitución de la bujía	B19
Inspección y sustitución del filtro de aire	B19
Inspección de la manguera de combustible y las conexiones	B19
Filtro de polvo del motor	B20
Juego de válvulas y apriete de cabezas	B20
Asentamiento de válvulas	B20
Mantenimiento de pernos de la culata	B20
Mantenimiento de las aletas de enfriamiento	B20
Inspección de la almohadilla y los portadores	B20
Mantenimiento de la correa	B20
Mantenimiento de la batería	B21
Almacenamiento de la máquina	B21
Empacado de la máquina	B21
Transporte de la máquina	B21
Especificaciones de la máquina	B22
Sección II — Manual de piezas	D1
Diagrama esquemático eléctrico	D2
Conexiones	D3
Conjunto de motor	D4
Subconjunto de plataforma	D6
Subconjunto de palanca	D8
Conjunto principal	D10
Conjunto de regulador y solenoide	D12
Garantía de certificación de motor pequeño para uso fuera de carretera	D14
Garantía del fabricante	D14
Formulario de reconocimiento para seguridad	D15

Especificaciones para referencia rápida:

Capacidades:

- Aceite de motor:
 - Con el filtro: 1,6 qt (1,5 l)
 - Sin el filtro: 1,8 qt (1,7 l)
 - Tipo de aceite de motor: SAE 30 con clasificación de servicio API SH o SJ

Piezas de mantenimiento periódico:

- Filtro de polvo del motor: 56384280
- Filtro de aceite del motor: 56384270
- Filtro de aire primario del motor (elemento de papel): 56384272
- Prefiltro de aire del motor (elemento de espuma): 56384268
- Bujía: 56384271
- Batería: 56384309
- Correa impulsora: 56384347 (21 pulg)
56384279 (27 pulg)
- Fusibles: 56384374 (20 A)
- Cilindro de LP: 56384288 (acero)

Precauciones de seguridad

Todas las personas que utilicen esta máquina deben leer cuidadosamente lo siguiente y estar informadas acerca de las condiciones de funcionamiento potencialmente peligrosas. Los operadores deben estar familiarizados con la ubicación y el uso de los dispositivos de seguridad de la máquina. No utilice la máquina si no está en condiciones adecuadas de funcionamiento e informe inmediatamente si encuentra daños o fallas de funcionamiento.

¡PELIGRO! Utilice esta máquina en lugares adecuadamente ventilados. Es responsabilidad del operador de la máquina, del propietario de la máquina y del administrador del lugar asegurarse que el sistema de intercambio de aire del sitio en el que se utilizará la máquina cumpla con los códigos de construcción de edificaciones y que esté funcionando correctamente. Si se utiliza esta máquina en un lugar sin una adecuada ventilación, se pueden producir enfermedades, lesiones o la muerte por la exposición al monóxido de carbono (CO).

¡PELIGRO! Esta máquina emite CO, un gas sin color, sin olor y que no es irritante. Los primeros síntomas de la exposición al CO incluyen dolor de cabeza, somnolencia, mareos y náuseas. Si experimenta cualquiera de estos síntomas mientras utiliza la máquina, apáguela y salga al exterior de la edificación para respirar aire fresco. Haga que un técnico de servicio realice pruebas de emisiones de CO a la máquina antes de volver a utilizarla.

¡PELIGRO! La exposición a altos niveles de CO o durante un tiempo prolongado puede producir vómito, confusión y desmayos, además de la pérdida de conciencia y la debilitación de los músculos. Si se experimentan estos síntomas, llame a la línea de emergencia (911 en los Estados Unidos) para recibir atención médica inmediata. Si experimenta alguno de estos síntomas, **NO** haga funcionar otra vez ésta ni ninguna otra máquina propulsada con propano hasta que el médico lo autorice. La exposición excesiva a CO puede ocasionar la muerte.

¡PELIGRO! El propano es un combustible altamente inflamable. Si detecta olor a propano, apague la máquina inmediatamente y sáquela al exterior de la edificación. **NO** vuelva a utilizar la máquina hasta que un técnico de servicio calificado haya eliminado la fuga de propano. **NO** utilice ni permita que otra persona utilice una fuente de combustión, como un encendedor de cigarrillos, cerca de la máquina impulsada con propano. **NO** fume cerca de la máquina impulsada con propano. **NO** deje escapar gas de un cilindro de propano en el interior de una edificación. **NO** almacene un cilindro de propano en el interior de una edificación.

¡PELIGRO! Esta máquina tiene piezas, incluidos los conjuntos de almohadilla, que pueden causar lesiones graves si se entra en contacto con ellas mientras están en movimiento. **NO** permita que ninguna parte del cuerpo o su ropa entre en contacto con estas piezas mientras estén en movimiento. **NO** trate de cambiar los accesorios mientras la máquina esté funcionando. **NO** permita que otras personas

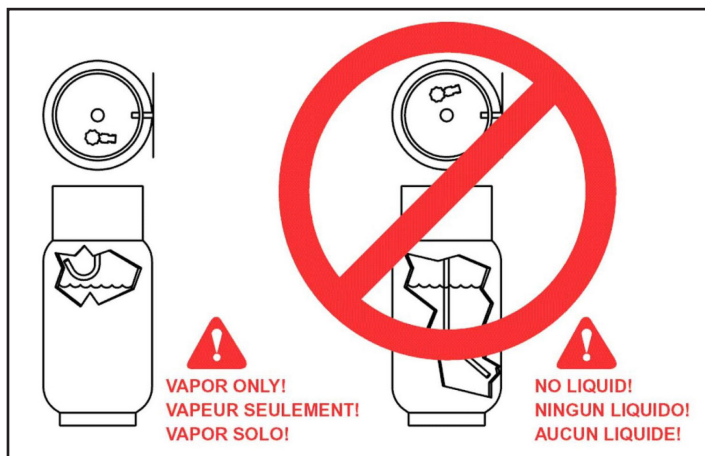
se acerquen a la máquina mientras esté funcionando. **NO** permita que la máquina siga funcionando mientras está desatendida. **NO** deje la máquina en un lugar donde pueda ser utilizada por personas no autorizadas o sin capacitación en su funcionamiento. **NO** utilice la máquina con la almohadilla descentrada, dañada o no instalada. **NO** utilice la máquina sin los protectores y blindajes sujetos. **NO** utilice la máquina si tiene piezas flojas.

¡PELIGRO! Las leyes federales y del Estado de California prohíben las siguientes acciones o la causa de las mismas: (1) el retiro o la inutilización, realizada por cualquier persona y para propósitos diferentes al mantenimiento, reparación o sustitución, de cualquier dispositivo o elemento de diseño incorporado en cualquier motor nuevo con el propósito de controlar las emisiones, antes de su venta o entrega al comprador final o mientras esté en uso, o (2) el uso del motor después de que ese dispositivo o elemento de diseño haya sido retirado o inutilizado por cualquier persona.

Entre las acciones que se consideran manipulación se encuentran: **NO** manipule la pieza original relacionada con las emisiones.

- La caja del acelerador y las piezas internas
- Las bujías
- El magneto o el sistema de encendido electrónico
- Los elementos de filtro de aire
- El cárter
- Las cabezas de los cilindros
- La cámara del respiradero y las piezas internas
- La tubería y el tubo de admisión
- El regulador
- El bloqueo de combustible

¡ADVERTENCIA! Los cilindros sobrellenados o extractores de líquido pueden dañar el sistema de combustible y crear un riesgo de incendio. **No** sobrellene el cilindro ni utilice un cilindro extractor de líquido en la máquina. Si el regulador se congela, detenga la pulidora y lleve el cilindro al exterior de la edificación. Inspeccione el cilindro; si es un cilindro de extracción de vapor, utilice guantes o tenazas para abrir la válvula de descarga y purgue el cilindro hasta que sólo salga vapor. Si es un cilindro extractor de líquido, sustitúyalo con un cilindro extractor de vapor. Ambos cilindros se ilustran abajo.



¡ADVERTENCIA! Las modificaciones o alteraciones a esta máquina pueden causar lesiones personales o daños en la máquina. **NO** haga modificaciones o alteraciones no autorizadas a esta máquina. Nilfisk-Advance no acepta ninguna responsabilidad por las lesiones o daños causados por modificaciones o alteraciones no autorizadas a la máquina. Cualquier modificación o alteración no autorizada a esta máquina anula la garantía.

¡ADVERTENCIA! El silenciador y el motor se calientan lo suficiente mientras la máquina está en funcionamiento, y permanecen calientes mucho después de que la máquina se apaga, como para causar quemaduras graves. **NO** toque estas piezas de la máquina hasta que se hayan enfriado.

¡ADVERTENCIA! Se pueden sufrir lesiones en los ojos y en el cuerpo mientras se utiliza esta máquina. Se recomienda el uso de guantes, zapatos y ropa de seguridad mientras se utiliza esta máquina.

¡ADVERTENCIA! La exposición continua a altos niveles de ruido puede causar la pérdida del oído. Se recomienda utilizar protectores para los oídos mientras la máquina esté funcionando.

¡ADVERTENCIA! La vibración de la máquina puede causar hormigueo o entumecimiento en los dedos o las manos. Se recomienda utilizar guantes para reducir los efectos de la vibración de la máquina. Si el hormigueo o el entumecimiento persiste, apague la máquina. Si la vibración es causada por piezas flojas, ajuste o apriete esas piezas antes de volver a utilizar la máquina.

¡PRECAUCIÓN! Un filtro de motor sucio puede ocasionar sobrecalentamiento. Revíselo y sustitúyalo, siguiendo el programa de mantenimiento recomendado.

¡PRECAUCIÓN! El sobrecalentamiento puede ser ocasionado por la falta de aceite o por un nivel bajo de aceite. Revise el aceite antes de cada uso y llénelo o cámbielo, si es necesario.

¡PRECAUCIÓN! Nunca llene el motor con aceite en exceso. El llenado en exceso puede ocasionar daños irreparables al motor.

¡PRECAUCIÓN! El sobrecalentamiento puede ser ocasionado por aceite sucio. Revise el aceite antes de cada uso y cámbielo regularmente, siguiendo el programa de mantenimiento recomendado.

¡PRECAUCIÓN! No haga funcionar el arrancador por más de 5 segundos. Espere unos 10 segundos a que se enfríe después de un segundo intento fallido de arranque.

¡PRECAUCIÓN! Ejecute todo el mantenimiento programado recomendado. El mantenimiento regular de su máquina para

pisos propulsada con propano es necesario para mantenerla en condiciones seguras de funcionamiento.

¡PRECAUCIÓN! **NO** utilice la máquina a menos que esté autorizado y haya recibido la capacitación correspondiente. **NO** utilice la máquina a menos que haya leído y comprendido el manual de funcionamiento. **NO** utilice la máquina en zonas con material inflamable o explosivo.

¡PRECAUCIÓN! Antes de arrancar la máquina, asegúrese que todos los dispositivos de seguridad estén en su lugar y que estén funcionando correctamente. Antes de arrancar la máquina, revise que estén funcionando correctamente.

¡PRECAUCIÓN! Cuando utilice la máquina, desplácela lentamente en superficies inclinadas o resbaladizas. Tenga cuidado cuando utilice la máquina en retroceso.

¡PRECAUCIÓN! Cuando preste servicio a la máquina, manténgase alejado de las piezas en movimiento. **NO** use ropa suelta cuando trabaje en la máquina. Bloquee las ruedas de la máquina antes de elevarla. Utilice pedestales de elevación que puedan soportar el peso de la máquina. Utilice protección para los ojos y los oídos cuando utilice aire o agua a presión. Desconecte las conexiones de batería antes de prestar servicio a la máquina. Utilice solamente piezas de repuesto suministradas por Nilfisk-Advance o por un centro de servicio o distribuidor autorizado de Nilfisk-Advance.

¡PRECAUCIÓN! Cuando cargue o descargue la máquina de un camión o remolque, apague la máquina. Utilice solamente un camión o remolque que soporte el peso de la máquina para el transporte. **NO** empuje la máquina para cargarla o descargarla de un camión o remolque a menos que la carga quede a una altura de 15 pulg (380 mm) o menos del suelo. Bloquee las ruedas de la máquina durante el transporte. Amarre la máquina en forma segura al camión o remolque durante el transporte.

Esta máquina está fabricada para un uso comercial solamente.

Esta máquina está diseñada y fabricada para el pulido de superficies de pisos interiores con revestimiento de cera de servicio severo. Nilfisk-Advance no recomienda el uso de esta máquina en entornos diferentes a entornos interiores. Esta máquina para pisos propulsada con propano está diseñada y fabricada solamente para el pulido comercial de pisos. Esta máquina está diseñada para pulir la mayoría de los tipos de piso modernos, incluidas los mosaicos de composición, piedra, mármol, terrazo y coberturas de piso robustas, y algunos pisos de madera con revestimiento. Aunque NFPA 11.13.2.3 estipula que...“el uso de máquinas de mantenimiento de pisos en edificaciones frecuentadas por el público, incluidos los momentos en que esas edificaciones están ocupadas por el público, debe estar autorizado por la autoridad que tenga jurisdicción”. Nilfisk-Advance sugiere utilizarla cuando la ocupación de una zona de trabajo dada sea mínima.

Estas máquinas no ser usadas

- En hogares de ancianos, hospitales, centros de cuidado de niños, etc. que estén ocupados.
- Por personal no calificado o sin capacitación.
- A menos que hayan recibido el mantenimiento adecuado y estén correctamente ajustadas.
- En zonas con obstrucciones, como dinteles, cajas de tomacorriente de piso, etc.
- En zonas con desechos u otros objetos sueltos.
- En salones y zonas sin una ventilación adecuada.

Llenado y almacenamiento de cilindros de combustible

Esta máquina usa un cilindro de aluminio o de acero con una capacidad de 20 lb (9,1 kg) que cumple con las normas DOT 4E240. Estos cilindros están incluidos en la lista de UL. Además, el cilindro de acero cumple con las especificaciones de TPED y con las regulaciones CE. Deben ser llenados SOLAMENTE por un distribuidor de propano calificado. LLÉNELOS SOLAMENTE A TRAVÉS DE LA VÁLVULA DE SERVICIO. Un cilindro llenado adecuadamente no debe exceder el 80% de su capacidad nominal.

NO intente reparar el cilindro. Devuelva el cilindro a su proveedor de propano si requiere ser reparado. Observe que las normas DOT prohíben el envío de cilindros después de que han sido llenados con propano. Cuando no estén en uso, los cilindros deben siempre almacenarse en una zona al aire libre, en posición hacia arriba, en un gabinete de almacenamiento con malla de acero y a prueba de manipulaciones. El gabinete se puede colocar al lado de la edificación, pero con un espacio de al menos cinco pies (1,5 m) entre el gabinete y la abertura más cercana de la edificación (puerta o ventana). El cilindro que debe usar con esta máquina es un cilindro de extracción de vapor.

No se debe usar un cilindro de extracción de líquido con esta máquina. Si se usa un cilindro de extracción de líquido en un sistema de extracción de vapor, el regulador se puede congelar y producir un riesgo de incendio. La norma de la National Fire Protection Association (NFPA) para el almacenamiento y manipulación de gas de LP establece la forma apropiada para utilizar el propano en forma segura. Una copia de esta publicación está disponible de la National Fire Protection Association (1-800-344-3555) o en www.NFPA.org.

Responsabilidad del operador

El operador es responsable de ejecutar el mantenimiento diario recomendado y las revisiones de la máquina para mantenerla en perfectas condiciones de trabajo. El operador debe informar al mecánico o supervisor de servicio cuando se requiera ejecutar los procedimientos de mantenimiento recomendados, como se describe en la sección “MANTENIMIENTO” de este manual.

- Lea cuidadosamente este manual antes de utilizar esta máquina.
- POR SEGURIDAD: **NO** utilice la máquina antes de leer y comprender el manual de funcionamiento.
- Revise la máquina para ver si ha sufrido daños durante el envío.

Ejecute el mantenimiento regular de su máquina siguiendo la información de mantenimiento en este manual. Pida los repuestos y suministros solamente a un distribuidor autorizado de Nilfisk-Advance. Utilice la sección de ilustraciones de las piezas en su manual cuando pida repuestos. Durante y después de su utilización, ejecute los procedimientos diarios y horarios indicados en la tabla de mantenimiento.

Preparación de la máquina

Desempacado de la máquina

La máquina se envía en una caja sobre una tarima de madera. Para desempacar la máquina:

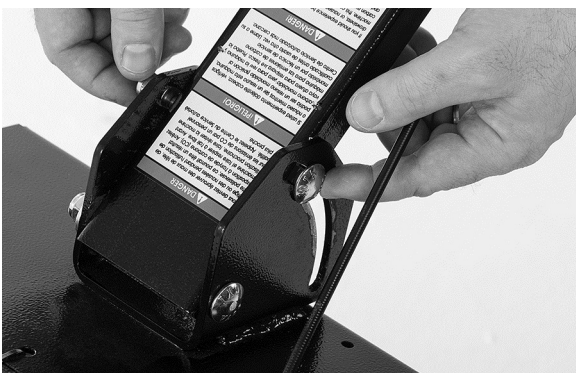
1. Corte y retire las bandas que sujetan la caja a la tarima.
2. Retire las grapas que sujetan la caja a la tarima en el borde inferior de la caja.
3. Con dos personas, una en cada extremo de la caja, eleve la caja verticalmente para retirarla de la máquina.
4. Corte y retire las bandas que sujetan la máquina a la tarima.
5. Retire el puntal trasero.
6. Retire la palanca de ajuste, el perno y la arandela de la manija.



7. Gire la manija a la posición de usuario. Luego inserte el perno a través de la escuadra y la parte superior de la manija.



8. Coloque la arandela y la palanca de ajuste en el perno. Ajuste la manija a la altura deseada y apriete la palanca de ajuste.



9. Conecte los cables de batería a la batería.

NOTA: Conecte el cable rojo al borne (+) y el cable negro al borne (-).

10. Revise el nivel de los fluidos de la máquina (aceite de motor). Consulte la sección *Mantenimiento*.

NOTA: Si la máquina se envió por vía aérea, agregue aceite de motor.

11. Retire cuidadosamente la máquina de la tarima.

Llenado del cilindro de LP

Esta máquina utiliza un cilindro de 20 l (9,1 kg) de capacidad, que cumple con las normas DOT 4E240. Estos cilindros están incluidos en la lista de UL. Además, el cilindro de acero cumple con las especificaciones de TPED y con las regulaciones CE. Deben ser llenados **SOLAMENTE** por un distribuidor de propano calificado. Un cilindro llenado adecuadamente no debe exceder el 80% de su capacidad nominal. No llene el cilindro en exceso ni utilice un cilindro extractor de líquido en la máquina. Si se usa un cilindro de extracción de líquido en un sistema de extracción de vapor, el regulador se puede congelar y producir un riesgo de incendio.

Instalación del cilindro de LP

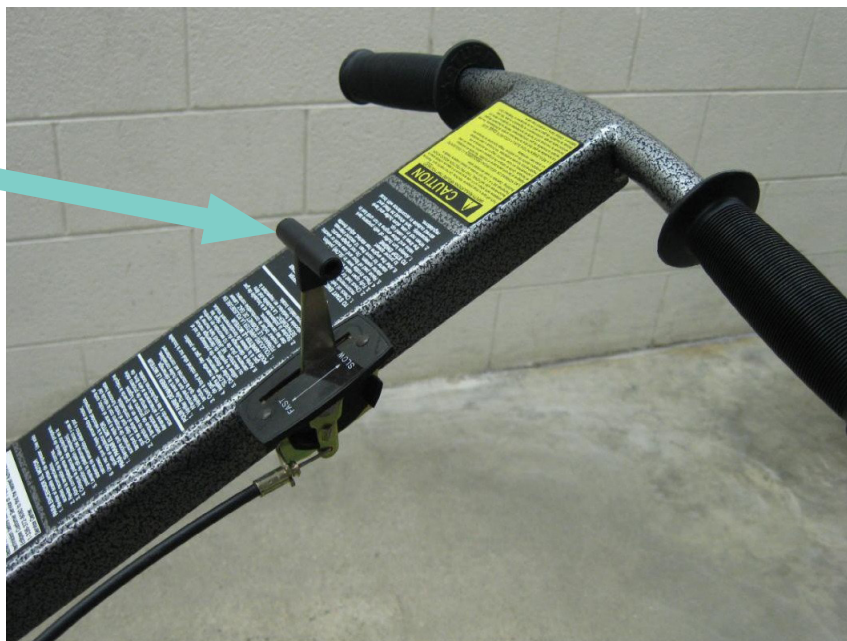
Coloque el cilindro en la plataforma de cilindro de la parte trasera de la máquina. Conecte el adaptador de la manguera de combustible a la válvula de servicio girándolo en sentido horario. ¡**APRIETE CON LA MANO SOLAMENTE!** Asegúrese que el adaptador no quede trasrocado y revise si percibe algún olor a propano que indique la presencia de fugas después de conectar el cilindro. Finalmente, fije el tanque a la máquina con la banda ajustable. Elimine la holgura tirando del extremo suelto y fijándolo con el Velcro.

PARA RETIRAR EL CILINDRO DE LP, ejecute el procedimiento anterior en secuencia inversa. Siempre conecte o cambie los cilindros en una zona bien ventilada.

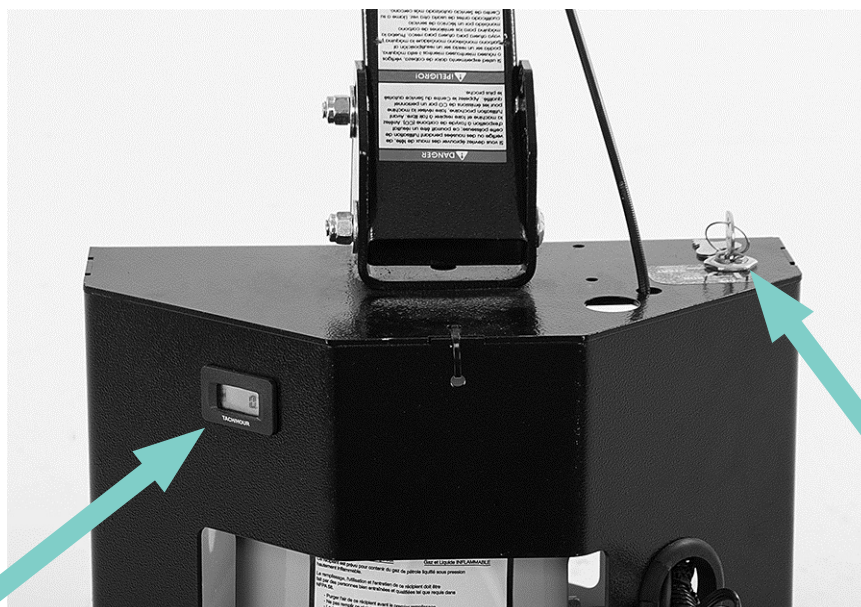
Componentes de la máquina

Controles e instrumentos

Acelerador del motor



Horómetro/
tacómetro



Interruptor de encendido

Interruptor de encendido del motor

Esta máquina cuenta con una ignición de interruptor de llave.

Start (encendido): Gire la llave completamente en sentido horario hasta la posición START (encendido) para activar el arrancador. Cuando el motor arranque, suelte la llave.

Nota: Siempre arranque esta máquina con el acelerador del motor ajustado a velocidad de ralentí o en la posición "lenta".

Run (marcha): Ésta es la posición de la llave mientras el motor está funcionando.

Off (apagado): Gire la llave a la posición OFF (apagado) para apagar el motor.

Nota: Por seguridad, siempre cierre la válvula del cilindro de propano para apagar el motor y luego gire el interruptor de llave a la posición OFF (apagado).



Acelerador del motor

El acelerador del motor controla la velocidad del motor. Para aumentar la velocidad, mueva la palanca hacia adelante. Para acelerar la máquina a ralentí, tire de la palanca hacia atrás.



Horómetro/tacómetro

El horómetro/tacómetro registra la cantidad de horas que la máquina ha estado funcionando. La indicación del horómetro se usa para marcar los intervalos de mantenimiento recomendados. También muestra la velocidad del motor. Este medidor muestra las horas cuando la máquina se apaga y la velocidad del motor cuando la máquina está funcionando.



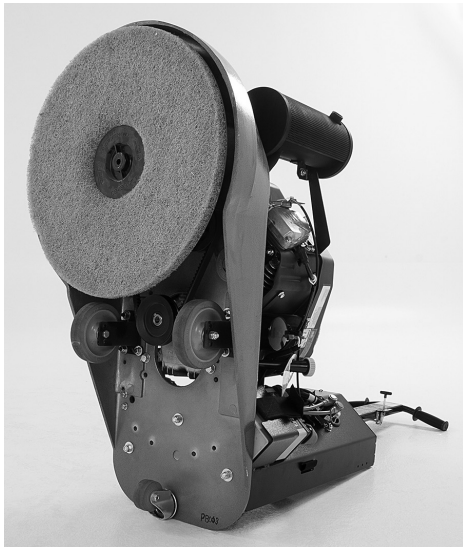
Ajuste de la manija

1. La altura de la manija se puede ajustar elevando o bajando la manija.
2. Si es necesario, utilice una llave para aflojar la tuerca que retiene la manija en la escuadra de ajuste.



Cambio de la almohadilla

1. Cierre la válvula del cilindro de propano, espere a que el motor se detenga y apague la máquina.
2. Retire el cilindro de propano.
3. Eleve la palanca a la posición completamente elevada (un ángulo de aproximadamente 45°).
4. Eleve la parte delantera de la plataforma para inclinar la máquina hacia atrás hasta que quede apoyada en las manijas.



5. Retire el dispositivo de centrado e inspeccione la almohadilla. Si la almohadilla se ha desgastado hasta un grosor menor que 1/4 pulg (6 mm), sustitúyala.



¡PRECAUCIÓN! Inspeccione cuidadosamente el portador de la almohadilla para ver si está agrietado o dañado. Sustituya, si es necesario.

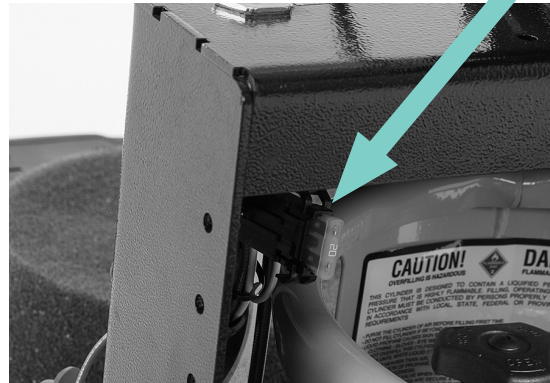
¡ADVERTENCIA! Un portador de almohadilla dañado que gira a alta velocidad puede convertirse en un peligro extremo si se desintegra.

6. Cuando baje la máquina, no la deje caer. Baje lentamente la máquina al piso hasta que las ruedas hagan contacto con el suelo.

Fusibles

El circuito eléctrico de la máquina está protegido con un fusible, que suspende el flujo de corriente cuando ocurre una sobrecarga en el circuito. Cuando el fusible se quema, es necesario sustituirlo. Si la sobrecarga que quemó el fusible continúa presente, el nuevo fusible se quemará y el problema se debe corregir. **NO** derive ningún fusible. El fusible de encendido está ubicado en el lado del tablero del interruptor del arrancador.

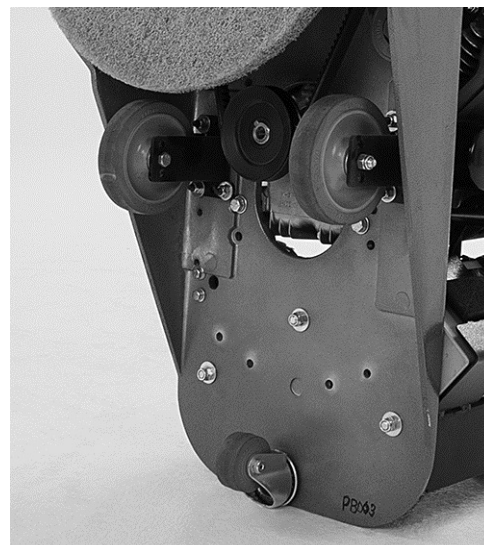
Fusible



Ajuste de las ruedas

1. Cierre la válvula del cilindro de propano, espere a que el motor se detenga y apague la máquina.
2. Retire el cilindro de propano.
3. Eleve la palanca a la posición completamente elevada (un ángulo de aproximadamente 45°).
4. Incline la máquina elevando la parte delantera hasta que quede apoyada en las manijas.
5. Retire el perno que fija cada rueda y desplace las ruedas a la posición deseada.

NOTA: Para aumentar la presión de la almohadilla (pulido más agresivo), mueva las ruedas hacia la parte trasera de la máquina. Para disminuir la presión de la almohadilla (pulido menos agresivo), mueva las ruedas hacia la parte delantera de la máquina.



Funcionamiento de la máquina

Esta máquina es una pulidora impulsada con propano que tiene un impulsor de almohadilla impulsado directamente por una correa desde el cigüeñal del motor.

Listado de verificación para antes del funcionamiento

- Revise el nivel de aceite del motor. Agregue aceite, si es necesario. Consulte la sección *Mantenimiento*.
- Inspeccione el filtro de polvo del motor y limpie cualquier acumulación de suciedad y polvo. Consulte la sección *Mantenimiento*.
- Inspeccione la almohadilla de pulido y sustitúyala, si es necesario. Consulte la sección *Mantenimiento*.
- ¡Inspeccione cuidadosamente el portador de la almohadilla para ver si está agrietado o dañado! Sustituya, si es necesario. Consulte la sección *Mantenimiento*.

¡ADVERTENCIA! UN PORTADOR DE ALMOHADILLA DAÑADO QUE GIRA A ALTA VELOCIDAD PUEDE CONVERTIRSE EN UN PELIGRO EXTREMO SI SE DESINTEGRA.

- Inspeccione el filtro de aire. Límpielo o sustitúyalo, si es necesario. Un filtro de aire sucio puede generar niveles altos de monóxido de carbono. Consulte la sección *Mantenimiento*.
- Inspeccione la correa impulsora. Sustituya, si es necesario. Consulte la sección *Mantenimiento*.
- Revise la máquina para ver si hay fugas o sujetadores flojos.

Cilindro de combustible de LP

Esta máquina utiliza un cilindro de 20 l (9,1 kg) de capacidad, que cumple con las normas DOT 4E240. Estos cilindros están incluidos en la lista de UL. Además, el cilindro de acero cumple con las especificaciones de TPED y con las regulaciones CE. Deben ser llenados SOLAMENTE por un distribuidor de propano calificado. Un cilindro llenado adecuadamente no debe exceder el 80% de su capacidad nominal. No llene el cilindro en exceso ni utilice un cilindro extractor de líquido en la máquina. Si se usa un cilindro de extracción de líquido en un sistema de extracción de vapor, el regulador se puede congelar y producir un riesgo de incendio.

Instalación del cilindro de LP

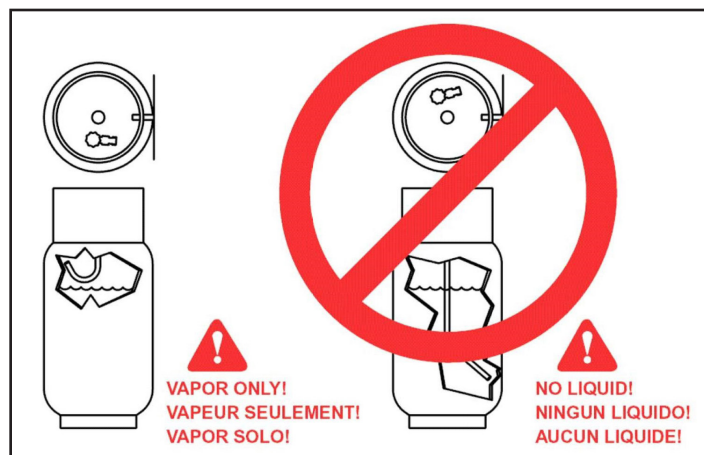
1. Antes de llevar un cilindro de propano al interior de una edificación, revíselo para ver si se ha sobrellenado.
2. Coloque el tanque en la máquina y fíjelo con la banda retenedora. Elimine la holgura tirando del extremo suelto de la banda y fijándolo a la banda. Conecte el adaptador de la manguera de combustible a la válvula de servicio girándolo en sentido horario. "APRIETE CON LA MANO SOLAMENTE". Asegúrese que el adaptador no quede trasrocado y revise si percibe algún olor a propano que indique la presencia de fugas después de conectar el cilindro. (Algunas veces la instalación se hace más fácil si la conexión a la válvula de servicio se hace antes de fijar el cilindro en su lugar con la banda).

¡PRECAUCIÓN! Siempre abra lentamente la válvula de servicio para permitir que la presión en las mangueras se equilibre. Si se abre rápidamente, puede hacer que la válvula de retención de flujo se active, limitando el flujo de combustible.

PARA RETIRAR EL CILINDRO, ejecute el procedimiento anterior en secuencia inversa. Siempre conecte o cambie los cilindros en una zona bien ventilada.



¡Sólo use un cilindro de



Válvula de alivio de presión

Mirilla de nivel de líquido

Válvula de purga

Válvula de servicio

Arranque de la máquina

1. Revise los niveles de aceite y combustible.
2. Revise y limpie el filtro de polvo del motor.
¡PRECAUCIÓN! Nunca utilice la máquina más de 1 hora sin limpiar o cambiar el filtro de polvo del motor.
3. Revise el filtro de aire del carburador. Sustituya, si es necesario. (consulte "Mantenimiento programado")
4. Gire la válvula de servicio de propano en sentido contrahorario para abrirla. **¡PRECAUCIÓN!** Siempre abra lentamente la válvula de servicio para permitir que la presión en las mangueras se equilibre. Si se abre rápidamente, puede hacer que la válvula de retención de flujo se active, limitando el flujo de combustible.
5. Incline la máquina hacia atrás (con la almohadilla levantada del suelo) y mueva el acelerador a la posición de RALENTÍ LENTO.
6. Con la palanca aceleradora del motor en la posición de ralentí, active el arrancador girando el interruptor de llave a la posición de arranque durante aproximadamente 5 segundos. Si el motor no arranca, suelte el interruptor de llave, espere 10 segundos e intente de nuevo el arranque por otros 5 segundos.
7. Después de que el motor arranque, mueva el acelerador hacia adelante hasta la mitad de su recorrido y permita que el motor se caliente durante aproximadamente 30 segundos.

¡ADVERTENCIA! Los silenciadores catalíticos requieren algunos minutos para calentarse antes de que puedan eliminar eficazmente las emisiones perjudiciales. ¡Asegúrese que exista una ventilación adecuada durante este periodo de calentamiento!

Pulido

1. Después de que el motor haya arrancado, espere aproximadamente 30 segundos para que el motor se caliente.
2. Aumente la aceleración hasta la velocidad de funcionamiento.
3. Baje la cabeza pulidora al piso mientras desplaza lentamente la máquina en avance.

¡PRECAUCIÓN! No permita que la pulidora funcione sin desplazar la máquina. Si la máquina se deja estacionada en un mismo punto, se pueden ocasionar daños al piso.

4. Para dejar de pulir, oprima la manija hacia abajo para elevar la cabeza pulidora del piso.

¡PRECAUCIÓN! NO agregue ningún peso a la cabeza pulidora.

¡PRECAUCIÓN! NO eleve la manija para aumentar la presión mientras está puliendo.

Nota: Si no se tienen en cuenta las declaraciones resaltadas con **¡PRECAUCIÓN!**, el motor se puede recalentar o el portador de la almohadilla y/o los componentes impulsores se pueden dañar.

Nota: Se recomienda iniciar el pulido en el lado derecho del pasillo, girar y regresar por el pasillo en el sentido opuesto, traslapando levemente la trayectoria anterior. Continúe con este patrón hasta que la zona del piso que se debe pulir haya sido cubierta, haciendo la última pasada en el lado derecho de la máquina. La velocidad de avance es generalmente la velocidad a la que se camina normalmente.

5. Cuando termine de pulir, empuje la máquina hasta la ubicación deseada. Cierre la válvula de servicio del cilindro de LP. Cuando el combustible se haya agotado y el motor se haya detenido, gire el interruptor de llave a la posición OFF (apagado).
6. Retire el cilindro de LP y almacénelo adecuadamente. Consulte la sección *Llenado y almacenamiento de cilindros de combustible*.

Funcionamiento a ralentí y apagado de la máquina

¡PELIGRO! ¡Si se deja que el motor funcione excesivamente a ralentí, aumentarán las emisiones de monóxido de carbono!

Para apagar el motor, cierre la válvula de servicio en el cilindro de combustible girándola en sentido horario (el motor se apagará cuando el combustible en las líneas se agote). Cuando el motor se apague, gire el interruptor de llave a la posición de apagado.

Localización de averías en la máquina

Problema	Causa posible	Solución	
El motor arranca con dificultad	El cilindro de propano no está conectado correctamente.	Revise la conexión y abra lentamente la válvula de servicio.	
	La batería está descargada.	Cargue o sustituya la batería.	
	El nivel de aceite está bajo.	Revise el nivel de aceite y agregue, si es necesario.	
	La aspiración es insuficiente.		Coloque el acelerador del motor en la posición ralentí "lento".
			Revise la manguera de aspiración del regulador para ver si está rota, prensada o conectada incorrectamente.
	El espacio de aire de la bobina está desajustado.	Ajuste el espacio de aire de la bobina (consulte el manual de servicio del motor FS481V). Comuníquese con un técnico certificado.	
	Bujía o pernos de culata flojos.	Apriételos al par especificado (consulte el manual de servicio del motor FS481V). Comuníquese con un técnico certificado.	
La empaquetadura de la culata está rota o las válvulas requieren ajuste	Sustituya la empaquetadura de la culata, ajuste las válvulas y sustitúyalas, si es necesario (consulte el manual de servicio del motor FS481V). Comuníquese con un técnico certificado.		
El motor no arranca	El cilindro de propano está vacío.	Instale un cilindro que esté lleno.	
	El nivel de aceite está bajo.	Revise el nivel de aceite y agregue, si es necesario.	
	La máquina está en la posición de cambio de almohadilla.	Baje la máquina a la posición de funcionamiento.	
	El fusible principal está quemado.	Inspeccione el fusible; si está quemado, sustitúyalo.	
	La aspiración es insuficiente.		Coloque el acelerador del motor en la posición ralentí "lento".
			Revise la manguera de aspiración del regulador para ver si está rota, prensada o conectada incorrectamente.
	La empaquetadura de la culata está rota o las válvulas requieren ajuste	Sustituya la empaquetadura de la culata, ajuste las válvulas y sustitúyalas, si es necesario (consulte el manual de servicio del motor FS481V). Comuníquese con un técnico certificado.	
	Hay alambres desconectados o rotos.	Conecte o sustituya los alambres. Comuníquese con un técnico certificado.	
	Hay bobinas averiadas.	Sustituya las bobinas (consulte el manual de servicio del motor FS481V). Comuníquese con un técnico certificado.	
	La separación entre los electrodos de la bujía no es la correcta.	Ajuste la separación a 0,025 pulg (0,64 mm)	
La bujía está averiada.	Sustituya la bujía.		
El motor pierde potencia	La aspiración es insuficiente.	Coloque el acelerador del motor en la posición ralentí "lento".	
		Revise la manguera de aspiración del regulador para ver si está rota, prensada o conectada incorrectamente.	
	Filtros de aire sucios.	Limpié o sustituya el filtro primario (elemento de papel).	
		Limpié o sustituya el filtro secundario (elemento de espuma).	
	El regulador está desajustado o tiene problemas de funcionamiento.	Ajuste el regulador o sustitúyalo, si es necesario (consulte el manual de servicio del motor FS481V). Comuníquese con un técnico certificado.	
	La empaquetadura de la culata tiene fugas.	Sustituya la empaquetadura de la culata (consulte el manual de servicio del motor FS481V). Comuníquese con un técnico certificado.	
	No hay compresión.	Los aros de pistón están desgastados y/o se requiere sustituir las cabezas de cilindro (consulte el manual de servicio del motor FS481V). Comuníquese con un técnico certificado.	
La mezcla de combustible es muy pobre.	Revise y ajuste la mezcla de combustible, si es necesario. Comuníquese con un técnico certificado.		
Las válvulas se deben ajustar o sustituir.	Ajuste las válvulas (consulte el manual de servicio del motor FS481V). Comuníquese con un técnico certificado.		
Se percibe olor a caucho quemado	La correa está desajustada.	Revise el tensor automático	
La máquina vibra	Los sujetadores están flojos.	Revise los sujetadores del motor, del tensor, del eje ahusado y del portador de la almohadilla. Apriete los sujetadores que encuentre flojos.	
	La almohadilla no está centrada en el portador.	Retire la almohadilla y céntrela en el portador. Sustituya la almohadilla con una nueva, si es necesario.	
	El portador de la almohadilla está desequilibrado.	Retire el portador de la almohadilla de la máquina y limpie ambos lados. Revise para ver si hay grietas o rasgaduras. Sustituya, si es necesario.	
La máquina pule muy agresivamente	Las ruedas están ajustadas muy hacia atrás.	Mueva las ruedas hacia adelante en la escuadra de las ruedas.	
	Las almohadillas no son las apropiadas.	Utilice solamente las almohadillas de pulido recomendadas.	
La máquina tira hacia un lado	La escuadra de las ruedas está doblada.	Sustituya la escuadra de las ruedas.	
	La rueda está desgastada o el cojinete está dañado.	Sustituya la rueda.	
	Las ruedas están ajustadas muy hacia atrás.	Mueva las ruedas hacia adelante en la escuadra de las ruedas.	
El motor se apaga	El cilindro de propano está vacío.	Instale un cilindro que esté lleno.	
	El nivel de aceite de motor está bajo.	Revise el nivel de aceite y agregue, si es necesario.	
	Filtro de aire sucio.	Limpié los dos filtros o sustitúyalos, si es necesario.	

Mantenimiento programado

Operación	Intervalo							
	Diariamente	Primeras 8 horas	Cada 50 horas	Cada 100 horas	Cada 200 horas	Cada 300 horas	Cada 400 horas	Cada 500 horas
Revise y agregue aceite de motor	●							
Revise si hay sujetadores flojos o faltantes	●							
Revise si hay fugas de aceite	●							
Inspeccione la manguera de combustible y las conexiones	●							
Limpie el filtro de polvo del motor	●							
Inspeccione el portador de la almohadilla	●							
Cambie el aceite del motor		●	●					
Cambie el filtro de aceite del motor		●		●				
Revise y limpie el elemento de papel del filtro de aire				●				
Revise y limpie el elemento de espuma del filtro de aire				●				
Inspeccione la batería y las conexiones de la batería				●				
Sustituya el elemento de papel del filtro de aire					●			
Sustituya el elemento de espuma del filtro de aire							●	
Inspeccione, limpie y ajuste la separación de los electrodos de las bujías; reemplácelas, si es necesario				●				
Inspeccione y ajuste el juego de las válvulas.* Vuelva a apretar las cabezas al par especificado.*						●		
Limpie y rectifique la superficie de asiento de las válvulas.*						●		
Revise las emisiones del motor								●
Limpie las aletas de enfriamiento			●					
Inspeccione la correa impulsora				●				
Inspeccione el conjunto de cabezal de pulido			●					
Sustituya la correa impulsora	Según se requiera							

* Consulte el manual de servicio. Comuníquese con un técnico certificado.

Mantenimiento

Inspección del nivel de aceite

1. Empuje la máquina hasta una superficie nivelada.
2. Cierre el cilindro de LP y retírelo.
3. Limpie la zona alrededor del medidor de aceite antes de retirarlo.
4. Retire el medidor de aceite y límpielo con un trapo limpio.



5. La máquina debe estar en una posición vertical nivelada. Si es necesario, coloque un bloque debajo de la parte trasera de la máquina o aplique un peso en la parte delantera de la plataforma para mantenerla en la posición vertical nivelada.
6. Inserte el medidor de aceite en el tubo, pero no lo apriete.
7. Revise el nivel de aceite. Debe estar entre las marcas de lleno "FULL" y de agregar "ADD" en el medidor de aceite.

Nota: Si el nivel de aceite está cerca o por debajo de la marca de agregar "ADD", retire el medidor de aceite y agregue suficiente aceite de motor hasta que el nivel llegue a la marca de lleno "FULL". (use solamente aceite SAE 30 SH o SJ)

Nota: Si el nivel de aceite está muy alto, retire el exceso de aceite aflojando la válvula de vaciado de aceite.

¡PRECAUCIÓN! No llene por encima de la marca de lleno "FULL". El aceite en exceso hará que se produzca humo y puede causar el recalentamiento del motor.

Cambio del aceite

1. Cambie el aceite después de las primeras 8 horas de funcionamiento y luego cada 50 horas.
2. Arranque y caliente el motor para que el aceite se vacíe fácil y completamente. Empuje la máquina hasta una superficie nivelada. Apague el motor.
3. Cierre el cilindro de LP y retírelo.
4. Retire la tapa en el extremo de la válvula de vaciado de aceite.



5. Instale un trozo de tubo de 1/2 pulg en el extremo de la válvula de vaciado de aceite (aprox. 8 pulg de largo).
6. Coloque un recipiente apropiado debajo del extremo de la manguera de vaciado de aceite.

¡ADVERTENCIA! Tenga cuidado con el aceite caliente que se va a vaciar. Puede estar lo suficientemente caliente para ocasionar quemaduras graves.

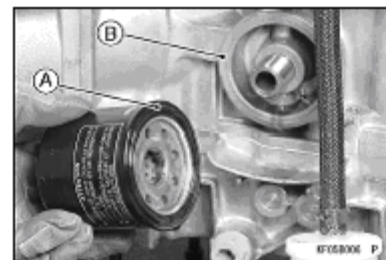
7. Gire lentamente la válvula aproximadamente 1/8 de vuelta en sentido contrahorario y tire suavemente de la válvula hacia afuera para abrirla.

Nota: Para que el aceite se vacíe, puede ser necesario aflojar la tapa de llenado de aceite.

8. Cuando el aceite se haya vaciado, presione la válvula de vaciado de aceite hacia adentro y gírela 1/8 de vuelta en sentido horario. Coloque la tapa en el extremo de la válvula.
9. Retire la tapa de aceite y agregue aceite SAE 30 SH o SJ limpio. Utilice 1,6 qt EE.UU. (1,5 l) cuando no cambie el filtro y 1,8 qt EE.UU. (1,7 l) cuando cambie el filtro.
10. Atornille el medidor de aceite. Conecte el cilindro de LP a la manguera de combustible.
11. Haga funcionar el motor a ralentí lento por 2 minutos. Revise para ver si hay fugas alrededor del motor.
12. Apague el motor. Revise el nivel del aceite (consulte la sección *Inspección del nivel de aceite*).

Sustitución del filtro de aceite

1. Coloque un recipiente adecuado debajo del filtro de aceite.
2. Con una llave de banda o una llave para filtros de aceite, retire el filtro de aceite. Gire el filtro en sentido contrahorario para retirarlo.
3. Aplique una capa delgada de grasa o aceite nuevo en el sello del filtro de aceite (A).



4. Instale el filtro nuevo (**N/P 56384270**) girándolo en sentido horario.
5. Gire el filtro hasta que el sello entre en contacto con la superficie de montaje (B) del motor. Luego, gire el filtro **CON LA MANO** 3/4 de vuelta adicionales.
6. Conecte el cilindro de LP a la manguera de combustible.
7. Haga funcionar el motor a ralentí lento por 2 minutos. Revise para ver si hay fugas alrededor del motor.
8. Apague el motor. Revise el nivel del aceite (consulte la sección *Inspección del nivel de aceite*).

Inspección y sustitución de la bujía

1. Cierre el cilindro de LP y retírelo.
2. Tire de la tapa de bujía para retirarla.
3. Retire la bujía girándola en sentido contrahorario e inspecciónela.

Nota: Si la bujía está impregnada de aceite o tiene acumulación de carbón, límpiela con un disolvente que tenga un punto de inflamación alto y un cepillo de alambre o cualquier otra herramienta adecuada.

Nota: Si los electrodos de la bujía están corroídos o dañados, o si el material aislante está agrietado, sustituya la bujía. Use solamente la pieza con N/P 56384271. ¡NO use ninguna otra bujía!

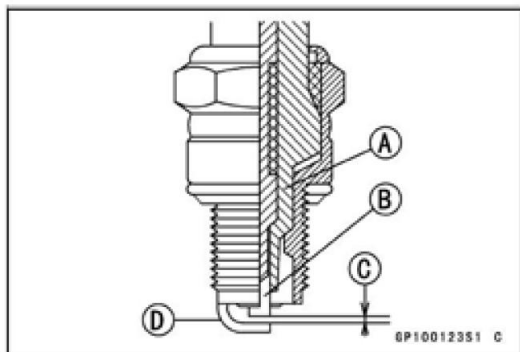
4. Mida la separación con un calibrador de espesores de alambre. La separación correcta es de 0,025 pulg (0,635 mm). Si la separación es incorrecta, doble cuidadosamente el electrodo lateral con una herramienta adecuada hasta obtener la separación correcta.

A: Material aislante

B: Electrodo central

C: Separación entre electrodos de la bujía

D: Electrodo lateral



Inspección y sustitución del filtro de aire

1. Empuje la máquina hasta una superficie nivelada.
2. Cierre el cilindro de LP y retírelo.
3. Gire las dos perillas 1/4 de vuelta en sentido contrahorario y retire la tapa del filtro.



4. Afloje la abrazadera que retiene el filtro de aire y retírelo.

¡PRECAUCIÓN! No lave los filtros de aire. No aplique aceite a los filtros de aire. No utilice aire a presión para limpiar los filtros de aire.

5. Inspeccione los filtros primario y secundario. Si es necesario, limpie el filtro primario golpeándolo suavemente y limpiando los extremos del sello con un trapo limpio. Si no es posible limpiar el filtro primario o está doblado o dañado, se debe sustituir. (N/P 56384272) Si el filtro secundario está sucio, no intente limpiarlo. Sustitúyalo con un filtro nuevo (N/P 56384268).
6. Revise la manguera de admisión para ver si está agrietada o dañada.
7. Instale los filtros y vuelva a colocar la cubierta.

Inspección de la manguera de combustible y las conexiones

1. Empuje la máquina hasta una superficie nivelada.
2. Cierre el cilindro de LP y retírelo.
3. Inspeccione las mangueras para ver si tienen abrasiones o cualquier otro indicio de desgaste. Sustituya todas las mangueras desgastadas o dañadas.
4. Revise si hay fugas rociando una solución de agua jabonosa alrededor de todas las conexiones mientras conecta el cilindro de LP y activa la válvula de servicio.



5. Si detecta alguna fuga, cierre el cilindro de LP. Si la fuga está en una manguera, sustitúyala. Si la fuga está en un adaptador, aflójelo y límpielo. Aplique compuesto sellante para tubos y vuelva a apretar.
6. Vuelva a revisar si hay fugas con una solución de agua jabonosa. Si todavía detecta fugas en los adaptadores, sustitúyalos y vuelva a revisar si hay fugas con una solución de agua jabonosa.

Filtro de polvo del motor

1. El filtro de polvo del motor debe limpiarse cada hora y después de cada uso, sacudiéndole el polvo y enjuagándolo con un detergente suave. El filtro también se puede limpiar con una aspiradora tipo húmedo-seco.
2. Apriételo para extraer el exceso de agua (*no lo retuerza*).
3. Deje que el filtro se seque al aire.

Nota: Si no se mantiene limpio el filtro del motor, se puede producir el recalentamiento del motor. Además, pueden aumentar las emisiones de escape a niveles perjudiciales. Si es necesario, sustitúyalo con el **N/P 56384280**.



Juego de válvulas y apriete de cabezas:

Consulte el manual de servicio del FS481V de Kawasaki.

Asiento de válvula:

Consulte el manual de servicio del FS481V de Kawasaki.

Mantenimiento de pernos de la culata

Consulte el manual de servicio del FS481V de Kawasaki.

Mantenimiento de las aletas de enfriamiento

- A. Retire la caja del soplador y cualquier otra envuelta.
- B. Limpie las aletas de enfriamiento como sea necesario, utilizando aire comprimido o una lavadora a presión.
- C. Instale todas las cajas y envueltas.

Inspección de la almohadilla y los portadores

1. Empuje la máquina hasta una superficie nivelada.
2. Cierre el cilindro de LP y retírelo.
3. Inclina la máquina hacia atrás elevando la parte delantera hasta que quede apoyada en las manijas. (Consulte la inclinación hacia atrás en la sección "Ajuste de las manijas").
4. Retire el dispositivo de centrado e inspeccione la almohadilla. Si la almohadilla se ha desgastado hasta un grosor menor que 1/4 pulg (6 mm), sustitúyala.
5. Inspeccione el portador de la almohadilla para ver si está agrietado o dañado. Si el portador de la almohadilla no tiene ningún daño, siga al paso 9.

¡ADVERTENCIA! Un portador de almohadilla dañado que gira a alta velocidad puede convertirse en un peligro extremo si se desintegra.

6. Si el portador de la almohadilla se debe retirar, se requerirá una llave de 3/4 pulg. Sujete con la llave la parte superior del eje ahusado. Con el eje ahusado firmemente sujetado, gire el portador en sentido contrahorario hasta que se suelte del eje ahusado.
7. Conserve cualquier arandela y/o espaciador que esté en el eje ahusado. Asegúrese de colocarlos en su lugar cuando instale de nuevo el portador de la almohadilla.
8. Cuando instale el portador de la almohadilla en el eje ahusado, utilice la llave para impedir que el eje gire. Asegúrese que el portador quede apretado antes de continuar.
9. Fije la almohadilla con el dispositivo de centrado.
10. Baje la máquina.

Mantenimiento de la correa

1. Empuje la máquina hasta una superficie nivelada.
2. Cierre el cilindro de LP y retírelo.
3. Coloque la máquina inclinada hacia atrás elevando la parte delantera hasta que quede apoyada en las manijas.
4. Gire el impulsor de la almohadilla e inspeccione la correa.
5. Si tiene grietas o desgaste excesivo, la correa se debe sustituir.
6. Para verificar si tiene el ajuste requerido, comprima las dos secciones de la correa. La correa debe flexionarse entre 1/4 pulg (0,6 cm) y 1/2 pulg (1,3 cm).

Para cambiar la correa

(21 pulg) N/P 56384347

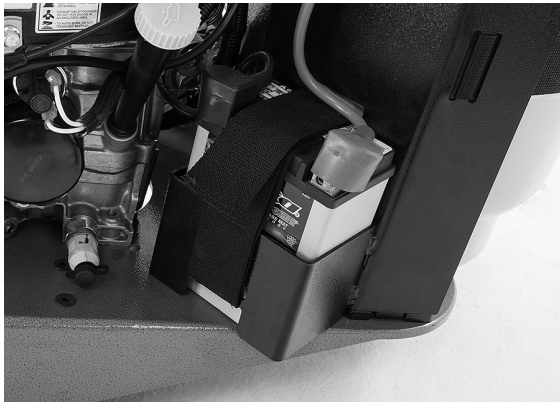
(27 pulg) N/P 56384279

- A. Retire el portador de la almohadilla sujetando el extremo del eje en la parte superior de la máquina con una llave de 3/4 pulg y girando el portador en sentido contrahorario.
- B. Utilice la llave de 3/4 pulg para girar el extremo del eje ahusado en la parte superior de la máquina mientras retira la correa usada de la polea del eje.
- C. Retire la correa de la polea del motor, si es necesario.
- D. Revise la polea del motor para ver si está correctamente alineada con la polea del eje. Revise la tornillería que fija las poleas para ver si está correctamente apretada.
- E. Instale la correa nueva en la polea del motor.
- F. Instale la correa nueva en la polea del eje utilizando la llave de 3/4 pulg para girar el eje en sentido horario. Asegúrese que la correa quede colocada correctamente en la polea de la rueda intermedia.
- G. Vuelva a instalar el portador de la almohadilla en el eje ahusado.
- H. Baje la máquina a la posición de pulido.
- I. Revise que la correa esté funcionando correctamente. Revise que toda la tornillería esté apretada correctamente.

Mantenimiento de la batería

La batería que se entrega con esta máquina es sellada, con tecnología de separador de fibra de vidrio de gran capacidad de absorción (AGM) y no requiere mantenimiento. Nunca requiere servicio. Cuando sea necesario sustituir la batería (N/P 56384309):

1. Empuje la máquina hasta una superficie nivelada.



2. Cierre el cilindro de LP y retírelo.
3. Desconecte primero el cable negativo NEGRO de la batería. Desconecte después el cable positivo ROJO de la batería.
4. Afloje la banda de retención de la batería.
5. Retire la batería usada y sustitúyala con la batería nueva.
6. Sujete la batería con la banda de retención de la batería.
7. Conecte primero el cable positivo ROJO de la batería. Conecte después el cable negativo NEGRO de la batería.

Nota: Deseche la batería usada siguiendo el procedimiento correcto. La mayoría de las tiendas de piezas automotrices reciben las baterías usadas para reciclarlas.

ADVERTENCIA DE LA PROPOSICIÓN 65

- Los bornes y terminales de las baterías, y los accesorios relacionados, contienen plomo y compuestos de plomo que en el Estado de California se reconocen como agentes químicos causantes de cáncer y que afectan el sistema reproductivo de los humanos.
- Las baterías contienen también otros agentes químicos que en el Estado de California se reconocen como causantes de cáncer.
- Lávese las manos después de manipularlas.

Almacenamiento de la máquina

Solamente el personal autorizado y debidamente capacitado debe tener acceso a los cilindros de propano y a las máquinas.

1. Retire el cilindro de combustible propano cuando no esté en uso y almacénelo al exterior de la edificación, en un gabinete de almacenamiento, siguiendo el código NFPA 58 o CAN/CGAB149.2. No libere ni purgue propano en el interior de la edificación. Consulte con las autoridades locales para asegurarse de cumplir con los códigos locales de prevención de incendios.
2. Almacene la máquina alejada de objetos que le puedan caer y ocasionarle daños.
3. Nunca almacene la máquina ni los cilindros de combustible cerca de una llama expuesta ni de dispositivos generadores de calor.
4. Asegúrese de limpiar adecuadamente la máquina antes de almacenarla.
5. Nunca almacene la máquina con el cilindro instalado ni los cilindros de repuesto en una camioneta o remolque cerrado.
6. Almacene la máquina en un lugar seco, donde la temperatura no sobrepase los 120°F (50°C).

Empacado de la máquina

Consulte la sección *Desempacado* y empaque la máquina utilizando los materiales de empackado y el contenedor originales. Almacene la máquina en un lugar seco, donde la temperatura no sobrepase los 120°F (50°C).

Transporte de la máquina

Cuando se transporte una máquina para pisos propulsada con propano con el cilindro de combustible instalado, el cilindro debe sujetarse firmemente con la válvula de servicio cerrada y la máquina debe sujetarse firmemente al vehículo. Los cilindros de combustible propano que no estén instalados deben sujetarse firmemente para evitar que se muevan y se dañen. Nunca almacene la máquina con el cilindro instalado ni los cilindros de repuesto en una camioneta o remolque cerrado. Se recomienda revisar los cilindros de propano para ver si se han llenado en exceso antes de transportarlos. Si se han llenado en exceso, extraiga el exceso de propano en una zona segura antes de cargarlos en el vehículo, utilizando la válvula de purga.

Especificaciones de la máquina

<u>Arranque:</u>	Batería de 12 VCC
<u>Plataforma:</u>	Aluminio fundido
<u>Nivel de ruido:</u>	< 89 dB(A)
<u>Vibración:</u>	Menor que 2,5 m/s ²
<u>Motor:</u>	Kawasaki FS481V, 603 cm ³ , enfriado por aire
<u>Velocidad del motor:</u>	Ralentí — 1800–2000 rpm Ralentí rápido — 3400–3500 rpm
<u>Aceite de motor:</u>	SAE 30 con clasificación API SH o SJ
<u>Capacidad del aceite del motor:</u>	Con el filtro — 1,6 qt (1,5 l) Sin el filtro — 1,8 qt (1,7 l)
<u>Filtro de aire primario del motor (elemento de papel):</u>	56384272
<u>Prefiltro de aire del motor (elemento de espuma):</u>	56384268
<u>Bujía:</u>	56384271
<u>Separación entre electrodos de la bujía:</u>	0,025 pulg (0,635 mm)
<u>Tipo de cilindro de LP:</u>	20 lb (9,1 kg) de extracción de vapor

Máquinas de 21 pulg

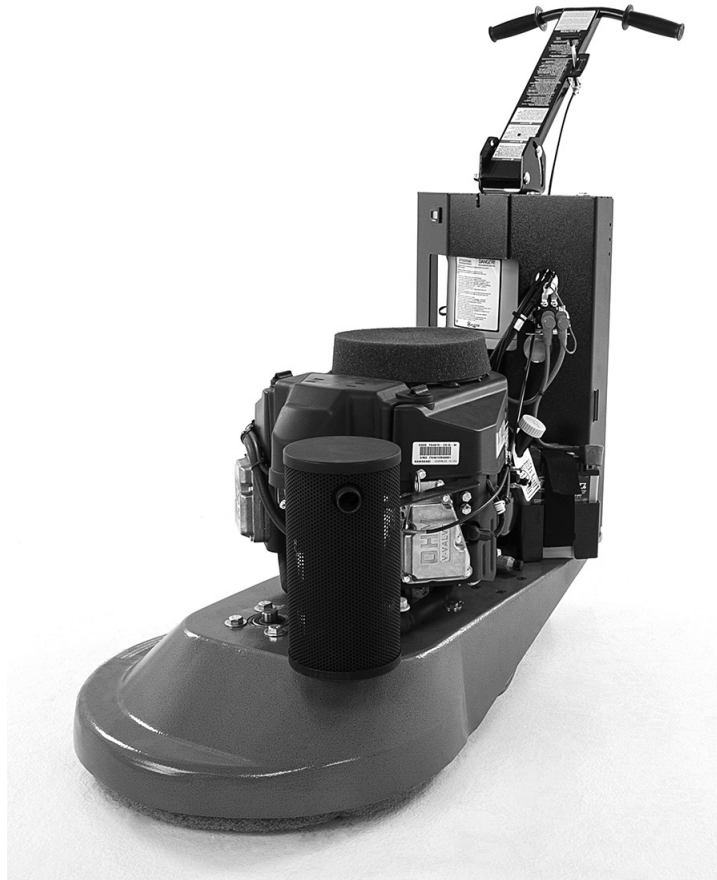
Tamaño de almohadilla:	21 pulg (53,3 cm)
Velocidad de almohadilla:	2000 rpm
Ancho:	23,5 pulg (59,7 cm)
Largo:	56 pulg (142,4 cm)
Altura:	39,5 pulg (100 cm)
Peso:	187 lb (85 kg) (sin el cilindro)

Máquinas de 27 pulg

Tamaño de almohadilla:	27 pulg (68,6 cm)
Velocidad de almohadilla:	1500 rpm
Ancho:	30,5 pulg (77,5 cm)
Largo:	61,5 pulg (156,2 cm)
Altura:	41,0 pulg (104 cm)
Peso:	200 lb (91 kg) (sin el cilindro)

AVIS

Un bon entretien est nécessaire pour toutes les machines pour planchers au propane. Le respect des procédures d'entretien périodique indiquées dans le manuel d'utilisation assurera de nombreuses années de service continu.



Outre les procédures d'entretien périodique énumérées, il est recommandé de faire examiner la machine par un personnel d'entretien agréé tous les trois mois. Cet entretien devra comprendre également une vérification des émissions.

DANGER! Pour la sécurité, si l'on sent une odeur de propane :

1. Éteindre toute flamme nue.
2. Ouvrir la fenêtre.
3. Ne pas toucher les interrupteurs électriques.
4. Appeler immédiatement le fournisseur de propane.

DANGER! Ne pas entreposer ou utiliser de l'essence ou d'autres vapeurs et liquides inflammables à proximité de cet appareil ou de tout autre appareil.

Enregistrer ces informations importantes

Date d'achat _____

Achetée auprès de _____

Adresse _____

Ville _____ Province _____ Code postal _____

Téléphone _____ Contact _____

Modèle de la machine _____

Numéro de série de la machine _____

Numéros de téléphone importants

Urgence médicale _____

Police _____

Service d'incendie _____

Ce manuel d'utilisation comprend trois déclarations à lire et respecter pour garantir un fonctionnement en toute sécurité de cette machine.

DANGER! Indique la possibilité de blessures corporelles graves ou de décès en cas d'ignorance des mentions DANGER! Lire et respecter toutes les mentions de DANGER! figurant dans le manuel d'utilisation et apposées sur la machine.

AVERTISSEMENT! Indique la possibilité de blessures corporelles à l'opérateur et à d'autres personnes en cas d'ignorance des mentions AVERTISSEMENT! Lire et respecter toutes les mentions AVERTISSEMENT! figurant dans le manuel d'utilisation et apposées sur la machine.

ATTENTION! indique la possibilité de dommages à la machine ou à d'autres biens en cas d'ignorance des mentions ATTENTION! Lire et respecter toutes les mentions ATTENTION! figurant dans le manuel d'utilisation et apposées sur la machine.

Section A — Table des matières en français

Référence rapide des spécifications	C6
Mesures de sécurité	C7
Ravitaillement et stockage des bouteilles de propane ..	C9
Responsabilité de l'opérateur	C9
Préparation de la machine	C10
Déballage de la machine	C10
Remplissage de la bouteille GPL	C10
Installation de la bouteille GPL	C10
Commandes et instruments	C11
Interrupteur d'allumage du moteur	C12
Manette des gaz	C12
Compteur horaire/tachymètre	C12
Réglage de la poignée	C12
Changement des patins	C13
Fusibles	C13
Réglage des roues	C13
Fonctionnement de la machine	C14
Liste de vérifications avant la mise en marche	C14
Bouteille GPL	C14
Installation de la bouteille GPL	C14
Mise en marche de la machine	C15
Polissage	C15
Fonctionnement au ralenti et arrêt de la machine	C15
Dépannage de la machine	C16
Tableau d'entretien périodique	C17
Entretien	C18
Contrôle du niveau d'huile	C18
Changement d'huile	C18

Remplacement du filtre à huile	C18
Inspection et remplacement des bougies	C19
Inspection et remplacement du filtre à air	C19
Inspecter le tuyau de carburant et les connexions	C19
Filtre à poussières de moteur	C20
Jeu des soupapes et resserrement des culasses	C20
Siège de soupape	C20
Entretien des vis de culasse	C20
Entretien des ailettes de refroidissement	C20
Inspecter les patins et les supports du patin ..	C20
Entretien de la courroie	C20
Entretien de la batterie	C21
Rangement de la machine	C21
Remballage de la machine	C21
Transport de la machine	C21
Caractéristiques de la machine	C22
Section II — Manuel des pièces	D1
Schéma électrique	D2
Connexions	D3
Assemblage moteur	D4
Sous-assemblage de la plate-forme	D6
Sous-assemblage de la poignée	D8
Assemblage principal	D10
Assemblage régulateur et solénoïde	D12
Garantie de certification de petit moteur non routier ...	D14
Garantie du fabricant	D14
Formulaire de sensibilisation à la sécurité	D15

Référence rapide des caractéristiques :

Capacités :

- Huile moteur :
 - Filtre pas retiré : 1,6 pte (1,5 l)
 - Filtre enlevé : 1,8 pte (1,7 l)
 - Type d'huile moteur : SAE30 avec classification de service API SH ou SJ

Pièces nécessaires à l'entretien courant :

- Filtre à poussières de moteur : 56384280
- Filtre à huile moteur : 56384270
- Filtre à air primaire de moteur (élément en papier) : 56384272
- Dépoussiéreur primaire d'air de moteur (élément en mousse) : 56384268
- Bougie : 56384271
- Batterie : 56384309
- Courroie d'entraînement : 56384347 (21 po)
56384279 (27 po)
- Fusibles : 56384374 (20 A)
- Bouteille GPL : 56384288 (acier)

Mesures de sécurité

Toute personne utilisant la machine doit lire les instructions suivantes et être informée des conditions de fonctionnement potentiellement dangereuses. Les opérateurs doivent se familiariser avec l'emplacement et l'utilisation de tous les dispositifs de sécurité de la machine. Ne pas utiliser la machine si elle n'est pas en bon état de fonctionnement et signaler tout dommage ou dysfonctionnement immédiatement.

DANGER! Utiliser cette machine dans un endroit bien ventilé. Il est de la responsabilité de l'opérateur de la machine, du propriétaire de la machine, et du gestionnaire du site de s'assurer que l'échangeur d'air où la machine doit être utilisée est conforme aux codes de construction locaux et fonctionne correctement. L'utilisation de cette machine dans un endroit qui n'est pas bien ventilé pourrait entraîner des maladies, des blessures ou la mort par exposition au monoxyde de carbone (CO).

DANGER! Cette machine émet du CO qui est un gaz incolore, inodore et non irritant. Les premiers symptômes de l'exposition au CO comprennent des maux de tête, la somnolence, des vertiges et des nausées. Si l'un de ces symptômes est ressenti pendant l'utilisation de la machine, arrêter la machine et aller à l'extérieur pour prendre l'air. Faire tester la machine pour y déceler des émissions de CO par un technicien qualifié avant de l'utiliser à nouveau.

DANGER! Une exposition prolongée ou forte au CO peut entraîner des vomissements, la confusion et un malaise, en plus d'une perte de conscience et d'une faiblesse musculaire. Si ces symptômes apparaissent, appeler le 911 pour recevoir des soins médicaux d'urgence. Si ces symptômes ont été ressentis, **NE PAS** utiliser de nouveau cette machine ou toute autre machine à propane sans l'accord d'un médecin. Une exposition excessive au CO peut entraîner la mort.

DANGER! Le propane est un carburant hautement inflammable. Si l'on sent une odeur de propane, arrêter immédiatement la machine et la faire sortir du bâtiment. **NE PAS** utiliser la machine à nouveau jusqu'à ce qu'un technicien qualifié résolve le problème de fuite de propane. **NE PAS** utiliser ou permettre à une autre personne d'utiliser une source d'inflammation comme un briquet près de la machine à propane. **NE PAS** fumer près de la machine à propane. **NE PAS** purger une bouteille de propane à l'intérieur d'un bâtiment. **NE PAS** entreposer des bouteilles de propane à l'intérieur d'un bâtiment.

DANGER! Cette machine a des pièces, y compris des patins qui peuvent causer des blessures graves si elles sont touchées pendant qu'elles sont en mouvement. **NE PAS** laisser une partie du corps ou des vêtements entrer en contact avec ces pièces pendant qu'elles sont en mouvement. **NE PAS** tenter de changer les accessoires lorsque la machine est en marche. **NE PAS** laisser d'autres personnes s'approcher de la machine lorsqu'elle est en marche. **NE PAS** laisser la machine fonctionner sans surveillance. **NE PAS** laisser la machine dans un endroit où des personnes non autorisées ou non formées pourraient l'utiliser. **NE PAS** faire fonctionner la machine avec le patin excentré, endommagé ou manquant. **NE PAS** faire

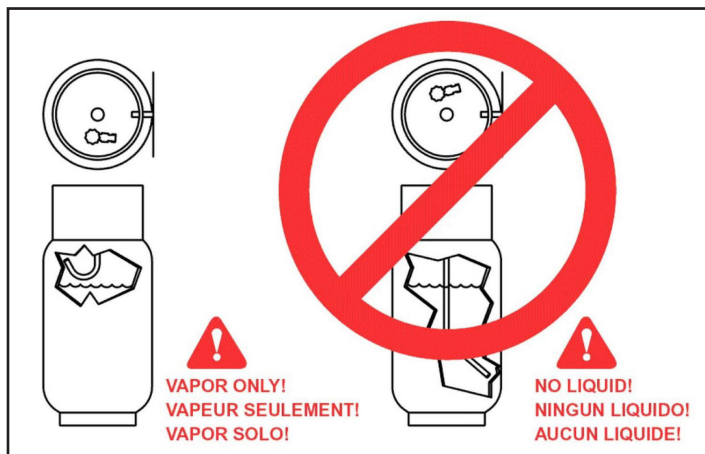
fonctionner la machine avec des dispositifs de sécurité et des écrans non sécurisés. **NE PAS** faire fonctionner la machine si elle a des pièces desserrées.

DANGER! La loi fédérale et la loi de l'État de Californie interdisent les actes suivants ou leurs causes : (1) le retrait ou la neutralisation par toute personne, autre qu'à des fins de maintenance, de réparation ou de remplacement, de tout dispositif ou élément de conception incorporé dans n'importe quel moteur neuf aux fins de contrôle des émissions avant sa vente ou sa livraison au dernier acheteur ou pendant qu'il est en cours d'utilisation, ou (2) l'utilisation du moteur après que ce dispositif ou élément de conception a été retiré ou neutralisé par quiconque.

Parmi ces actes présumés être des altérations se trouvent les actes énumérés ci-dessous : **NE PAS** altérer une pièce d'origine liée aux émissions.

- Corps de papillon et pièces internes
- Bougies
- Magnéto ou système d'allumage électronique
- Éléments de filtre à air
- Carter
- Culasses
- Chambre de reniflard et pièces internes
- Tuyau d'admission et tube
- Régulateur
- Verrouillage du carburant

AVERTISSEMENT! Les bouteilles trop pleines ou de soutirage de liquide peuvent endommager le circuit de carburant et créer un risque d'incendie. **NE PAS** trop remplir la bouteille ou utiliser une bouteille de soutirage de liquide sur cette machine. Si le régulateur gèle, arrêter la lustreuse et mettre la bouteille GPL dehors. Examiner la bouteille; s'il s'agit d'une bouteille de soutirage de vapeur, utiliser des gants ou une pince pour ouvrir le robinet de purge et purger la bouteille jusqu'à ce que seule de la vapeur s'échappe. S'il s'agit d'une bouteille de soutirage de liquide, la remplacer par une bouteille de soutirage de vapeur. Les deux bouteilles sont indiquées ci-dessous.



AVERTISSEMENT! Les modifications apportées à cette machine peuvent entraîner des blessures ou des dommages à la machine. **NE PAS** apporter des modifications non autorisées à cette machine. Nilfisk-Advance n'assume aucune responsabilité quant aux blessures ou dommages résultant d'une modification non autorisée apportée à la machine. Toute modification apportée à cette machine annule toutes les garanties.

AVERTISSEMENT! Le silencieux et le moteur deviennent très chauds lorsque la machine est en marche et pendant une longue période après que la machine a été arrêtée, et sont susceptibles de causer des brûlures graves. **NE PAS** toucher ces pièces de la machine jusqu'à ce qu'elles aient refroidi.

AVERTISSEMENT! L'utilisation de la machine peut causer des blessures aux yeux et au corps. Des lunettes de sécurité, des souliers de sécurité et des vêtements de protection sont recommandés lors de l'utilisation de la machine.

AVERTISSEMENT! L'exposition continue à des niveaux de bruit élevés peut entraîner une perte auditive. Une protection auditive est recommandée lorsque la machine est en marche.

AVERTISSEMENT! Les vibrations de la machine peuvent provoquer des fourmillements ou des engourdissements dans les doigts ou les mains. Les gants sont recommandés afin de réduire les vibrations de la machine. Si les fourmillements ou les engourdissements persistent, arrêter la machine. Si les vibrations sont causées par des pièces détachées, régler ou serrer ces pièces avant d'utiliser la machine à nouveau.

ATTENTION! Un filtre de moteur sale peut provoquer une surchauffe. Vérifier et remplacer selon le programme d'entretien recommandé.

ATTENTION! La surchauffe peut être causée par un niveau d'huile insuffisant ou faible. Vérifier l'huile avant chaque utilisation, et la remplir ou la changer au besoin.

ATTENTION! Ne jamais trop remplir le moteur d'huile. Un remplissage excessif pourrait causer des dommages irréparables au moteur.

ATTENTION! La surchauffe peut être causée par de l'huile sale. Vérifier l'huile avant chaque utilisation et la changer régulièrement suivant le programme d'entretien recommandé.

ATTENTION! Ne pas engager le démarreur pendant plus de 5 secondes. Prévoir une période de refroidissement de 10 secondes pour la deuxième tentative de démarrage infructueuse.

ATTENTION! Effectuer tout l'entretien périodique recommandé. Un entretien régulier de la lustreuse au propane est nécessaire pour la maintenir en bon état de fonctionnement.

ATTENTION! NE PAS utiliser la machine à moins d'avoir été formé et autorisé. **NE PAS** utiliser la machine sans avoir lu et compris le manuel d'utilisation. **NE PAS** utiliser la machine dans des zones inflammables ou avec risque d'explosion.

ATTENTION! Avant de mettre la machine en marche, s'assurer que tous les dispositifs de sécurité sont en place et fonctionnent correctement. Avant de mettre la machine en marche, vérifier son bon fonctionnement.

ATTENTION! Lors de l'utilisation de la machine, aller lentement sur les surfaces inclinées ou glissantes. Faire attention lors de l'utilisation de la machine en marche arrière.

ATTENTION! Lors de l'entretien de la machine, rester à l'écart des éléments mobiles. **NE PAS** porter des vêtements amples lors du travail sur la machine. Bloquer les roues de la machine avant de la soulever avec un cric. Utiliser des socles de levage qui supporteront le poids de la machine. Porter un dispositif de protection des yeux et des oreilles lors de l'utilisation de l'air ou de l'eau sous pression. Débrancher les connexions de la batterie avant d'entretenir la machine. Utiliser uniquement des pièces de rechange fournies par Nilfisk-Advance ou un distributeur ou centre de service agréé de Nilfisk-Advance.

ATTENTION! Lors du chargement ou du déchargement de la machine sur ou hors d'un camion ou d'une remorque, ÉTEINDRE la machine. Utiliser uniquement un camion ou une remorque capable de supporter le poids de la machine pour la transporter. **NE PAS** pousser la machine dans ou hors d'un camion ou d'une remorque à moins que la hauteur de charge ne soit de 15 po (380 mm) ou moins à partir du sol. Bloquer les roues de la machine lors du transport. Immobiliser la machine en toute sécurité dans le camion ou la remorque lors du transport.

Cette machine a été fabriquée pour un usage commercial seulement.

Cette machine a été conçue et fabriquée pour une utilisation intérieure dans le cadre du polissage des surfaces dures revêtues de cire. Nilfisk-Advance ne recommande pas l'utilisation de cette machine dans un environnement autre qu'un environnement intérieur. Cette lustreuse au propane a été conçue et fabriquée uniquement pour le polissage commercial des planchers. Cette machine est conçue pour polir la plupart de types de planchers modernes, y compris le carrelage d'agglomérés, la pierre, le marbre, le granito et les revêtements de sol résilients, ainsi que certains planchers de bois revêtu. Même si la norme NFPA 11.13.2.3 dit...

« L'utilisation de machines d'entretien de plancher dans des bâtiments fréquentés par le public, y compris quand ces bâtiments sont occupés par le public, doit être soumise à l'approbation de l'autorité compétente. », Nilfisk-Advance suggère l'utilisation lorsque l'occupation d'une zone de travail donnée est minime.

Ces machines ne devraient pas être utilisées

- dans les maisons de soins infirmiers, les hôpitaux, les centres de garde d'enfants, etc. qui sont occupés;
- par du personnel non qualifié ou non formé;
- à moins d'être bien entretenues et réglées correctement;
- sur des zones avec obstacles tels que des seuils, des boîtes de prise de courant au sol, etc.;
- dans des zones où des débris ou autres objets libres sont présents;
- dans des salles et des zones sans une ventilation adéquate.

Ravitaillement et stockage des bouteilles GPL

Cette machine utilise une bouteille en aluminium ou en acier d'une capacité de 20 lb (9,1 kg) qui répond aux normes DOT 4E240. Ces bouteilles sont également homologuées UL. En outre, la bouteille en acier est conforme aux spécifications européennes TPED et aux exigences CE. Le remplissage doit être effectué **UNIQUEMENT** par un revendeur de propane qualifié. **REMPLIR UNIQUEMENT À TRAVERS LE ROBINET DE SERVICE.** Une bouteille bien remplie ne doit pas dépasser 80 % de la capacité nominale.

NE PAS tenter de réparer la bouteille. Retourner la bouteille au revendeur de propane si une réparation est nécessaire. Noter que la réglementation du Département des transports américain (DOT) interdit l'expédition de bouteilles après qu'elles ont été remplies de propane. Lorsqu'elles ne sont pas utilisées, les bouteilles doivent toujours être stockées à l'extérieur en position verticale dans une armoire de stockage sécurisée, inviolable, en maille d'acier. Cette armoire peut être située à proximité du bâtiment, mais avec au moins cinq pieds (1,5 m) d'espace entre l'armoire et l'ouverture du bâtiment la

plus proche (porte ou fenêtre). La bouteille devant être utilisée sur cette machine est une bouteille type soutirage de vapeur.

Une bouteille de soutirage de liquide ne doit pas être utilisée avec cette machine. L'utilisation d'une bouteille de soutirage de liquide sur un système de soutirage de vapeur pourrait geler le régulateur et créer un risque d'incendie. La norme de la National Fire Protection Association (NFPA) pour le stockage et la manipulation des gaz de pétrole liquéfiés est l'autorité compétente pour l'utilisation du propane en toute sécurité. Une copie de cette publication est disponible auprès de la National Fire Protection Association (1-800-344-3555) ou sur le site Web www.NFPA.org.

Responsabilité de l'opérateur

L'opérateur est chargé d'effectuer l'entretien quotidien recommandé et les vérifications de la machine pour la maintenir en bon état de fonctionnement. L'opérateur doit informer le préposé à l'entretien ou le superviseur lorsque des procédures d'entretien recommandées sont nécessaires comme décrit dans la section « *ENTRETIEN* » de ce manuel.

- Lire ce manuel attentivement avant de mettre en marche cette machine.
- **POUR DES RAISONS DE SÉCURITÉ : NE PAS** utiliser la machine avant d'avoir lu et compris le manuel d'utilisation.
- Vérifier que la machine n'a pas subi des dommages causés durant le transport.

Maintenir la machine régulièrement entretenue en suivant les informations sur l'entretien contenues dans ce manuel. Commander des pièces et des fournitures uniquement auprès d'un distributeur agréé de Nilfisk-Advance. Utiliser la section d'illustration des pièces du manuel pour passer une commande. Pendant et après le fonctionnement, suivre les procédures quotidiennes et horaires recommandées et présentées dans le tableau d'entretien.

Préparation de la machine

Déballage de la machine

La machine est livrée dans une boîte sur une palette de bois. Pour déballer la machine :

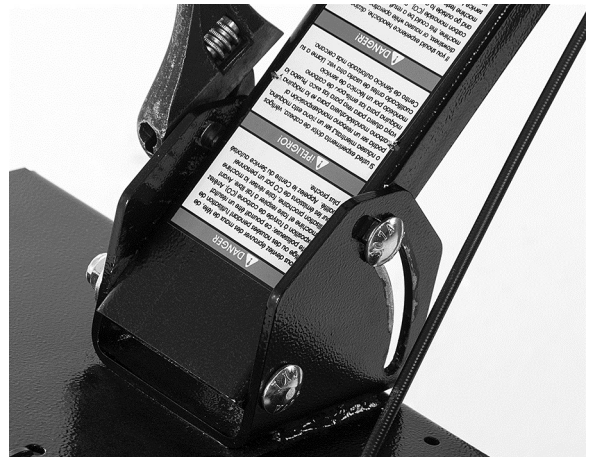
1. Couper et enlever les bandes qui maintiennent le boîtier à la palette.
2. Retirer les agrafes de fixation qui fixent la boîte à la plate-forme sur le bord inférieur de la boîte.
3. Avec deux personnes, une à chaque extrémité de la boîte, soulever la boîte tout droit vers le haut et hors de la machine.
4. Couper et enlever les bandes de fixation qui fixent la machine à la palette.
5. Retirer l'attelle.
6. Retirer le levier de réglage, le boulon et la rondelle de la poignée.



7. Tourner la poignée à la position de l'utilisateur. Insérer ensuite le boulon dans le support de la poignée et le haut de la poignée.



8. Placer la rondelle et le levier de réglage sur le boulon. Régler la poignée à la hauteur désirée et serrer le levier de réglage.



9. Connecter les câbles de la batterie à la batterie.

REMARQUE : Connecter le câble rouge à la borne (+) et le câble noir à la borne (-).

10. Vérifier les niveaux de fluide de la machine (huile moteur). Voir la section Entretien.

REMARQUE : Si la machine a été expédiée par fret aérien, ajouter de l'huile au moteur.

11. Retirer avec précaution la machine de la palette.

Remplissage de la bouteille GPL

Cette machine utilise la bouteille d'une capacité de 20 lb (9,1 kg) qui répond aux normes 4E240 du D.O.T. Ces bouteilles sont également homologuées UL. En outre, la bouteille en acier est conforme aux spécifications européennes TPED et aux exigences CE. Le remplissage doit être effectué **UNIQUEMENT** par un revendeur de propane qualifié. Une bouteille bien remplie ne doit pas dépasser 80 % de la capacité nominale. Ne pas trop remplir la bouteille ou utiliser une bouteille de soutirage de liquide sur cette machine. L'utilisation d'une bouteille de soutirage de liquide sur un système de soutirage de vapeur pourrait geler le régulateur et créer un risque d'incendie.

Installation de la bouteille GPL

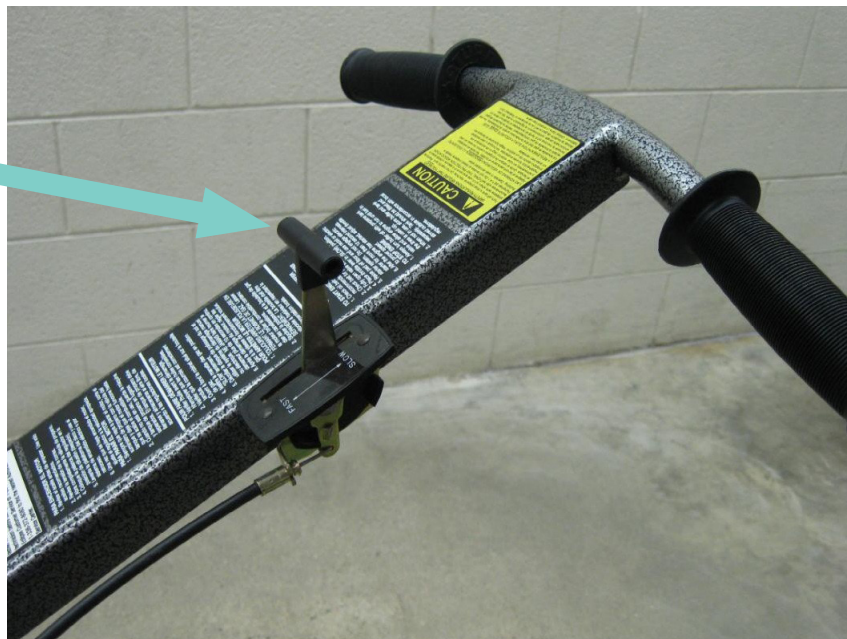
Placer la bouteille sur la plate-forme de la bouteille à l'arrière de la machine. Connecter le raccord du tuyau de carburant au robinet de service en tournant vers la droite (sens des aiguilles d'une montre). **SERRER À LA MAIN UNIQUEMENT!** S'assurer que le raccord n'est pas faussé et vérifier l'absence de fuites en notant toute odeur de propane immédiatement après que la bouteille a été connectée. Enfin, fixer la bouteille à la machine en utilisant la sangle réglable. Retirer le mou en tirant sur l'extrémité libre et en la fixant avec le Velcro.

POUR RETIRER LA BOUTEILLE GPL, inverser la procédure ci-dessus. Toujours connecter ou changer les bouteilles dans un endroit bien ventilé.

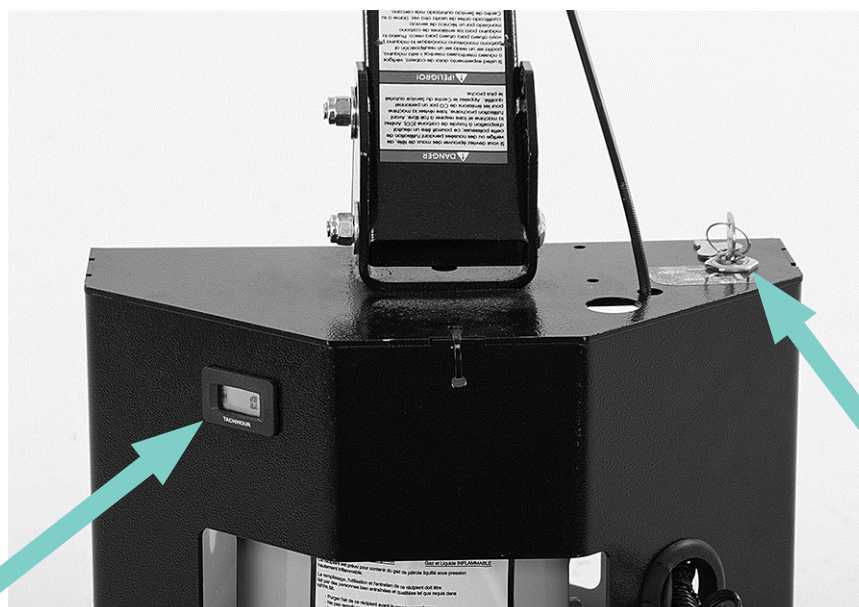
Composants de la machine

Commandes et instruments

Manette
des gaz



Compteur
horaire /
tachymètre



Interrupteur
d'allumage

Interrupteur d'allumage du moteur

Cette machine dispose d'un interrupteur d'allumage à clé.

Démarrage : tourner la clé dans le sens des aiguilles d'une montre ou sur DÉMARRER pour engager le démarreur. une fois que le moteur a démarré, relâcher la clé.

Remarque : toujours démarrer cette machine avec la manette des gaz dans la position ralenti ou « lente ».

Marche : il s'agit de la position de la clé lorsque le moteur est en marche.

Arrêt : tourner la clé en position « ARRÊT » pour arrêter le moteur.

Remarque : pour plus de sécurité, toujours fermer le robinet de la bouteille de propane pour arrêter le moteur, puis tourner la clé à la position « ARRÊT ».



Manette des gaz

La manette des gaz contrôle la vitesse du moteur. Pour augmenter la vitesse du moteur, déplacer la manette vers l'avant. Pour la position ralenti, tirer la manette vers l'arrière.



Compteur horaire / tachymètre

Le compteur horaire / tachymètre enregistre le nombre d'heures pendant lesquelles la machine a été en MARCHE. La lecture du compteur horaire est utilisée pour marquer les intervalles d'entretien recommandés. Elle affiche également la vitesse du moteur. Ce compteur affiche les heures lorsque la machine est à l'ARRÊT et la vitesse du moteur lorsque la machine est en MARCHE.



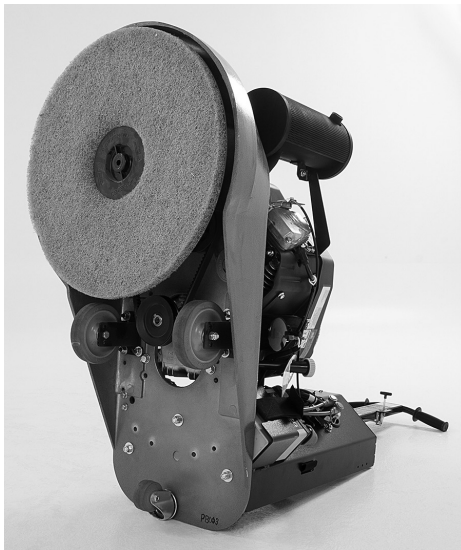
Réglage de la poignée

1. La hauteur de la poignée peut être réglée en élevant ou en abaissant la poignée.
2. Si nécessaire, utiliser une clé pour desserrer l'écrou qui tient la poignée dans le support de réglage.



Changement du patin

1. Fermer le robinet de la bouteille de propane, laisser le moteur s'arrêter et ARRÊTER la machine.
2. Retirer la bouteille de propane.
3. Soulever la poignée en position pleinement relevée (un angle de 45°).
4. Soulever l'avant de la plate-forme en basculant la machine en arrière jusqu'à ce qu'elle repose sur les poignées.



5. Retirer le dispositif de centrage et inspecter le patin. Si le patin s'est usé à moins de 1/4 po (6 mm) d'épaisseur, le remplacer.



ATTENTION! Inspecter soigneusement le support du patin pour déceler les fissures ou dommages. Remplacer si nécessaire.

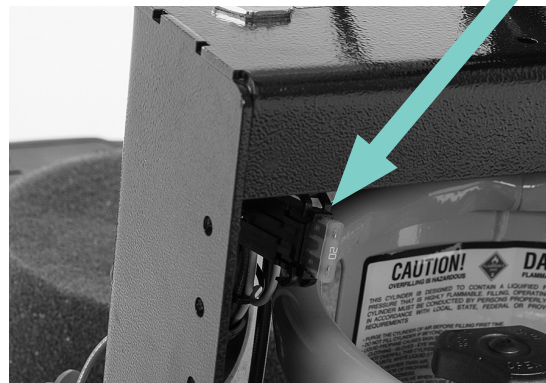
AVERTISSEMENT! Un support de patin endommagé tournant à des vitesses élevées peut constituer un danger extrême s'il venait à se séparer.

6. En abaissant la machine, faire attention de ne pas la laisser tomber. Abaisser lentement la machine vers le sol jusqu'à ce que les roues touchent le sol.

Fusibles

Le circuit électrique de la machine est protégé par un fusible, qui coupe le courant en cas de surcharge d'un circuit. Une fois qu'un fusible grille, il doit être remplacé. Si la surcharge qui a grillé le fusible est toujours présente, le nouveau fusible grillera également et il faudra corriger le problème. **NE PAS** contourner un fusible. Le fusible d'allumage est situé sur le côté du panneau de l'interrupteur de démarrage.

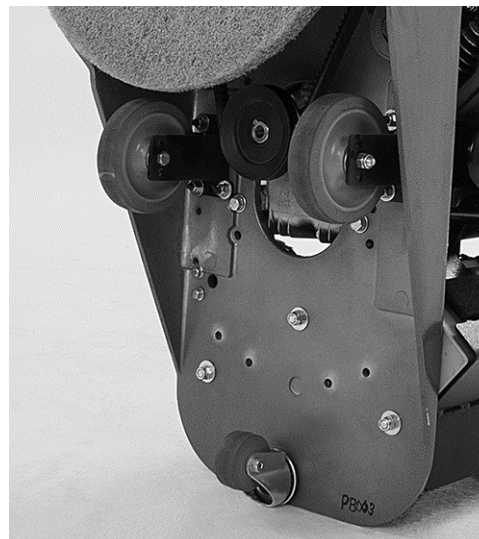
Fusible



Réglage des roues

1. Fermer le robinet de la bouteille de propane, laisser le moteur s'arrêter et ARRÊTER la machine.
2. Retirer la bouteille de propane.
3. Soulever la poignée en position pleinement relevée (un angle de 45°).
4. Basculer la machine en soulevant l'avant de la machine jusqu'à ce qu'elle repose sur les poignées.
5. Retirer le boulon qui retient chaque roue et les régler à la position désirée.

REMARQUE : Pour augmenter la pression du patin (plus agressif), déplacer les roues vers l'arrière de la machine. Pour diminuer la pression du patin (moins agressif), déplacer les roues vers l'avant de la machine.



Fonctionnement de la machine

Cette machine est une lustreuse au propane dotée d'un entraînement du patin par courroie directement à partir du vilebrequin du moteur.

Liste de vérifications avant la mise en marche

- Vérifier le niveau d'huile moteur. Ajouter de l'huile si nécessaire. Voir *Entretien*.
- Vérifier le filtre à poussières et nettoyer tout débris ou accumulation de poussière. Voir *Entretien*.
- Vérifier le patin de la lustreuse et le remplacer si nécessaire. Voir *Entretien*.
- Vérifier le support du patin pour fissures et dommages! Remplacer si nécessaire. Voir *Entretien*.

AVERTISSEMENT! UN SUPPORT DE PATIN ENDOMMAGÉ TOURNANT À GRANDE VITESSE PEUT CONSTITUER UN DANGER EXTRÊME S'IL SE DÉSINTÈGRE.

- Vérifier le filtre à air. Le nettoyer ou le remplacer si nécessaire. Un filtre à air encrassé peut donner lieu à des niveaux élevés de monoxyde de carbone. Voir *Entretien*.
- Vérifier la courroie d'entraînement. Remplacer si nécessaire. Voir *Entretien*.
- Vérifier la machine pour y déceler des fuites ou des fixations desserrées.

Bouteille GPL

Cette machine utilise la bouteille d'une capacité de 20 lb (9,1 kg) qui répond aux normes 4E240 du D.O.T. Ces bouteilles sont également homologuées UL. En outre, la bouteille en acier est conforme aux spécifications européennes TPED et aux exigences CE. Le remplissage doit être effectué **UNIQUEMENT** par un revendeur de propane qualifié. Une bouteille bien remplie ne doit pas dépasser 80 % de la capacité nominale. Ne pas trop remplir la bouteille ou utiliser une bouteille de soutirage de liquide sur cette machine. L'utilisation d'une bouteille de soutirage de liquide sur un système de soutirage de vapeur pourrait geler le régulateur et créer un risque d'incendie.

Installation de la bouteille GPL

1. Avant d'apporter une bouteille de propane à l'intérieur, toujours vérifier qu'elle n'est pas trop remplie.
2. Placer le réservoir sur la machine et le fixer avec la sangle de fixation. Retirer le mou en tirant sur l'extrémité libre de la sangle et en la fixant de retour sur la sangle. Connecter le raccord du tuyau de carburant au robinet de service en tournant dans le sens des aiguilles d'une montre. « **SERRER À LA MAIN SEULEMENT** ». S'assurer que le raccord n'est pas faussé et vérifier l'absence de fuites en notant toute odeur de propane immédiatement après que la bouteille a été connectée. (Il est parfois plus facile de procéder à l'installation si la connexion au robinet de service est effectuée avant la

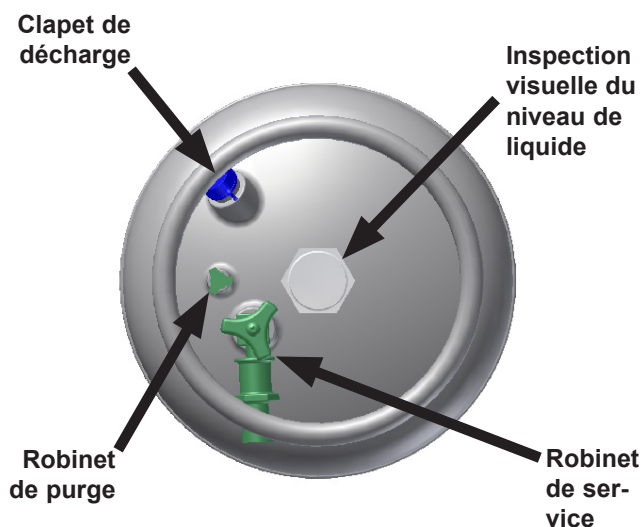
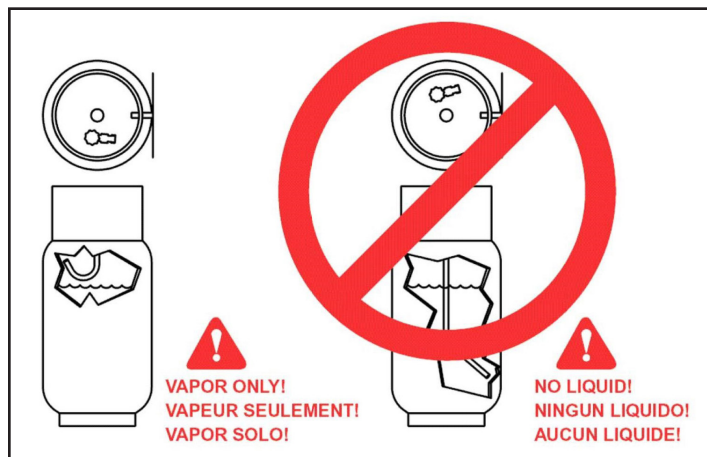
fixation de la bouteille en place).

ATTENTION! Toujours ouvrir le robinet de service lentement pour permettre une égalisation de pression dans les tuyaux. L'ouverture trop rapide peut entraîner l'engagement du clapet antiretour, ce qui limite le débit de carburant.

POUR RETIRER LA BOUTEILLE, inverser la procédure. Toujours connecter ou changer les bouteilles dans un endroit bien ventilé.



Utiliser uniquement une bouteille à vapeur!



Mise en marche de la machine

1. Vérifier les niveaux d'huile et de carburant.
2. Vérifier et nettoyer le filtre à poussières du moteur.
ATTENTION! Ne jamais faire fonctionner la machine en continu pendant plus d'une heure sans nettoyer ou changer le filtre à poussières du moteur.
3. Vérifier le filtre à air du carburateur. Le changer si nécessaire. (Voir « Entretien périodique »)
4. Tourner le robinet de service de propane dans le sens inverse des aiguilles d'une montre pour l'ouvrir.
ATTENTION! Toujours ouvrir le robinet de service lentement pour permettre une égalisation de pression dans les tuyaux. L'ouverture trop rapide peut entraîner l'engagement du clapet antiretour, ce qui limite le débit de carburant.
5. Laisser la machine s'incliner vers l'arrière (patin ne touchant pas le sol) et déplacer la manette des gaz à la position LENTE (RALENTI).
6. Avec la manette des gaz du moteur en position ralenti, actionner le démarreur en tournant le commutateur à clé en position de démarrage pendant environ 5 secondes. Si le moteur ne démarre pas, relâcher le commutateur à clé pendant 10 secondes, puis essayer de démarrer à nouveau pendant cinq autres secondes.
7. Après le démarrage du moteur, déplacer la manette des gaz à mi-chemin environ et laisser le moteur chauffer pendant environ 30 secondes.

AVERTISSEMENT! Les convertisseurs catalytiques nécessitent quelques minutes pour se réchauffer avant d'éliminer efficacement les émissions nocives. Assurer une bonne ventilation durant cette période de réchauffage!

Polissage

1. Une fois que le moteur a démarré, attendre environ 30 secondes pour que le moteur se réchauffe.
2. Avancer la manette des gaz à la vitesse de fonctionnement.
3. Abaisser la tête de polissage au sol tout en déplaçant la machine vers l'avant lentement.

ATTENTION! Ne pas faire fonctionner la lustreuse sans déplacer la machine. Si la machine fonctionne dans un seul endroit, elle peut endommager le plancher.

4. Pour arrêter le polissage, pousser la poignée vers le bas pour soulever la tête de polissage du plancher.

ATTENTION! NE PAS ajouter du poids à la tête de la lustreuse.

ATTENTION! NE PAS soulever la poignée pour ajouter de la pression lors du polissage.

Remarque : Le non-respect des mentions **ATTENTION!** pourrait causer une surchauffe du moteur et/ou endommager les composants des supports du patin ou d'entraînement.

Remarque : Il est recommandé de démarrer le polissage sur le côté droit de l'allée, de tourner et de revenir dans l'allée dans la direction opposée, chevauchant légèrement la trajectoire précédente. Continuer ainsi jusqu'à ce que la surface du plancher à polir soit couverte avec la dernière passe sur le côté droit de la machine. La vitesse avant est généralement la vitesse de marche normale.

5. Lorsque le polissage est fini, pousser la machine à l'endroit désiré. Fermer le robinet de service de la bouteille GPL. Lorsque le carburant est épuisé et que le moteur s'arrête, mettre le commutateur à clé sur ARRÊT.
6. Retirer la bouteille GPL et la ranger correctement. Se reporter à *Ravitaillement et stockage des bouteilles GPL*.

Fonctionnement au ralenti et arrêt de la machine

DANGER! Permettre au moteur de tourner trop longtemps au ralenti augmentera les émissions de monoxyde de carbone!

Pour arrêter le moteur, fermer le robinet de service de la bouteille de carburant en le tournant dans le sens des aiguilles d'une montre (le moteur s'arrête lorsque le carburant dans les conduites est épuisé). Une fois que le moteur s'arrête, mettre le commutateur à clé sur arrêt.

Dépannage de la machine

Problème	Cause possible	Solution	
Le moteur démarre difficilement	La bouteille de propane n'est pas bien connectée.	Vérifier la connexion et ouvrir le robinet de service lentement.	
	La batterie est faible.	Charger la batterie ou la remplacer.	
	Le niveau d'huile est bas.	Vérifier le niveau d'huile et en ajouter si nécessaire.	
	Aspiration insuffisante.		Placer la manette des gaz en position de ralenti « lente ».
			Vérifier le tuyau d'aspiration du régulateur pour y déceler des fissures, des parties de tuyau pincées ou une mauvaise connexion.
	Entrefer de la bobine mal réglé.	Régler l'entrefer de la bobine (se reporter au manuel d'entretien FS481V). Contacter un technicien certifié.	
	Bougie ou vis de culasse desserrées.	Resserrer (se reporter au manuel d'entretien FS481V). Contacter un technicien certifié.	
Joint de culasse éclaté ou les soupapes doivent être réglées	Remplacer le joint de culasse, régler les soupapes et remplacer si nécessaire (se reporter au manuel d'entretien FS481V). Contacter un technicien certifié.		
Le moteur ne démarre pas	La bouteille de propane est vide.	Installer une bouteille remplie correctement.	
	Le niveau d'huile est bas.	Vérifier le niveau d'huile et en ajouter si nécessaire.	
	La machine est en position de changement de patin.	Abaisser la machine en position de fonctionnement.	
	Le fusible principal est grillé.	Vérifier le fusible et s'il est grillé, le remplacer	
	Aspiration insuffisante.		Placer la manette des gaz en position de ralenti « lente ».
			Vérifier le tuyau d'aspiration du régulateur pour y déceler des fissures, des parties de tuyau pincées ou une mauvaise connexion.
	Joint de culasse éclaté ou les soupapes doivent être réglées	Remplacer le joint de culasse, régler les soupapes et remplacer si nécessaire (se reporter au manuel d'entretien FS481V). Contacter un technicien certifié.	
	Câbles rompus ou déconnectés.	Reconnecter ou remplacer les câbles. Contacter un technicien certifié.	
	Bobine(s) défectueuse(s).	Remplacer la ou les bobines (se reporter au manuel d'entretien FS481V). Contacter un technicien certifié.	
	L'écartement de la bougie est incorrect.	Régler l'écartement à 0,025 po (0,64 mm)	
Bougie défectueuse.	Remplacer la bougie.		
Le moteur manque de puissance	Aspiration insuffisante.	Placer la manette des gaz en position de ralenti « lente ».	
		Vérifier le tuyau d'aspiration du régulateur pour y déceler des fissures, des parties de tuyau pincées ou une mauvaise connexion.	
	Filtre(s) à air encrassé(s).	Nettoyer ou remplacer le filtre principal (élément en papier).	
		Nettoyer ou remplacer le filtre secondaire (élément en mousse).	
	Régulateur dérégulé ou défectueux.	Régler le régulateur et le remplacer si nécessaire (se reporter au manuel d'entretien FS481V). Contacter un technicien certifié.	
	Fuite au joint de culasse.	Remplacer le joint de culasse (se reporter au manuel d'entretien FS481V). Contacter un technicien certifié.	
	Pas de compression.	Le ou les segments de piston et/ou culasses usés doivent être remplacés (se reporter au manuel d'entretien FS481V). Contacter un technicien certifié.	
Le mélange carburant est pauvre.	Vérifier et ajuster le mélange carburant si nécessaire. Contacter un technicien certifié.		
Les soupapes doivent être réglées ou remplacées.	Régler les soupapes (se reporter au manuel d'entretien FS481V). Contacter un technicien certifié.		
Odeur de caoutchouc brûlé	Courroie dérégulée.	Vérifier le tendeur automatique	
La machine vibre	Fixations desserrées.	Vérifier le moteur, le tendeur, la broche et les fixations des supports du patin. Serrer les attaches qui peuvent être lâches.	
	Le patin n'est pas centré sur le support du patin.	Retirer le patin et le recentrer sur le support de patin. Remplacer le patin par un neuf si nécessaire.	
	Le support du patin n'est pas équilibré.	Retirer le support du patin de la machine et nettoyer les deux côtés. Vérifier l'absence de fissures et de déchirures. Remplacer si nécessaire.	
La machine polit de façon trop agressive.	Les roues sont réglées trop loin en arrière.	Déplacer les deux roues vers l'avant dans le support de roue.	
	Patins inappropriés.	Utiliser uniquement des patins de polissage recommandés.	
La machine tire d'un côté	Support de roue faussé.	Remplacer le support de roue.	
	La roue est usée ou son roulement est endommagé.	Remplacer la roue.	
	Les roues sont réglées trop loin en arrière.	Déplacer les deux roues vers l'avant dans le support de roue.	
Le moteur s'arrête	La bouteille de propane est vide.	Installer une bouteille remplie correctement.	
	Le niveau d'huile moteur est trop bas.	Vérifier le niveau d'huile et en ajouter si nécessaire.	
	Filtre à air encrassé.	Nettoyer les deux filtres ou les remplacer si nécessaire.	

Entretien périodique

Fonctionnement	Intervalle							
	Tous les jours	Les 8 premières h	Toutes les 50 h	Toutes les 100 h	Toutes les 200 h	Toutes les 300 h	Toutes les 400 h	Toutes les 500 h
Vérifier l'huile moteur et ajouter	●							
Contrôler si les fixations sont desserrées ou perdues	●							
Vérifier l'absence de fuites d'huile	●							
Inspecter le tuyau de carburant et les connexions	●							
Nettoyer le filtre à poussières du moteur	●							
Inspecter le support de patin	●							
Changer l'huile moteur		●	●					
Changer le filtre à huile moteur		●		●				
Vérifier et nettoyer l'élément en papier du filtre à air				●				
Vérifier et nettoyer l'élément en mousse du filtre à air				●				
Inspecter la batterie et ses connexions				●				
Remplacer l'élément en papier du filtre à air					●			
Remplacer l'élément en mousse du filtre à air							●	
Inspecter, nettoyer et régler de nouveau l'écartement des bougies, remplacer si nécessaire				●				
Vérifier et régler le jeu des soupapes.* Resserrer les culasses.*						●		
Nettoyer et roder la surface des sièges de soupape.*						●		
Vérifier les émissions du moteur								●
Nettoyer les ailettes de refroidissement			●					
Inspecter la courroie d'entraînement				●				
Inspecter l'assemblage de la tête de polissage			●					
Remplacer la courroie d'entraînement	Au besoin							

* Se reporter au manuel d'entretien. Contacter un technicien certifié.

Entretien

Vérification du niveau d'huile

1. Pousser la machine jusqu'à une surface de niveau.
2. Fermer la bouteille GPL et la retirer.
3. Nettoyer la zone autour de la jauge d'huile avant de la retirer.
4. Retirer la jauge d'huile et l'essuyer avec un chiffon propre.



5. La machine doit être en position verticale. Si nécessaire, placer une cale sous l'arrière de la machine ou appliquer un poids à l'avant de la plate-forme pour maintenir une position verticale.
6. Insérer la jauge d'huile dans le tube sans la serrer.
7. Vérifier le niveau d'huile. Il devrait être entre les repères « PLEIN » et « AJOUTER » de la jauge.

Remarque : Si le niveau d'huile est proche ou en dessous du repère « AJOUTER », retirer la jauge et ajouter suffisamment d'huile moteur pour ramener le niveau d'huile au repère « PLEIN ». (Utiliser uniquement l'huile SH ou SJ SAE30)

Remarque : Si le niveau d'huile est trop élevé, retirer l'excès d'huile en desserrant le robinet de vidange d'huile.

ATTENTION! Ne pas remplir au-dessus du repère « PLEIN ». L'excédent d'huile provoquera de la fumée et éventuellement la surchauffe du moteur.

Changement d'huile

1. Changer l'huile après les 8 premières heures de fonctionnement et toutes les 50 heures par la suite.
2. Démarrer et réchauffer le moteur pour que l'huile s'écoule facilement et complètement. Pousser la machine jusqu'à une surface de niveau. Arrêter le moteur.
3. Fermer la bouteille GPL et la retirer.
4. Retirer le couvercle de l'extrémité du robinet de vidange d'huile.



5. Attacher un tuyau de 1/2 po à l'extrémité du robinet de vidange d'huile (env. 8 po de long).
6. Placer un récipient approprié sous l'extrémité du tuyau de vidange d'huile.

AVERTISSEMENT! Faire attention à l'huile chaude lors de la vidange. Elle peut être assez chaude pour causer des brûlures graves.

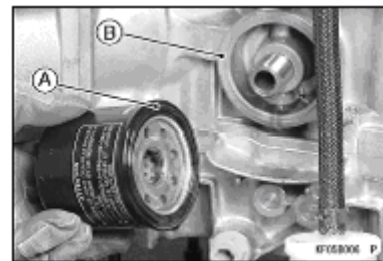
7. Tourner lentement le robinet dans le sens inverse des aiguilles d'une montre, d'environ 1/8 de tour, puis tirer délicatement le robinet vers l'extérieur pour l'ouvrir.

Remarque : Pour que l'huile s'écoule, il peut s'avérer nécessaire de desserrer le bouchon de remplissage d'huile.

8. Une fois que l'huile a fini de se vider, pousser le robinet de vidange d'huile vers l'intérieur et tourner le robinet d'1/8 de tour dans le sens des aiguilles d'une montre. Replacer le bouchon sur l'extrémité du robinet.
9. Retirer le bouchon d'huile et ajouter de l'huile SH ou SJ SAE 30 propre. Utiliser 1,6 pte (1,5 l) lorsque le filtre n'est pas changé et 1,8 pte (1,7 l) lorsque le filtre est changé.
10. Visser la jauge d'huile. Reconnecter la bouteille GPL au tuyau de carburant.
11. Faire tourner le moteur au ralenti pendant 2 minutes. Vérifier l'absence de fuites autour du moteur.
12. Arrêter le moteur. Vérifier le niveau d'huile (voir la section *Vérification du niveau d'huile*).

Remplacement du filtre à huile

1. Placer un récipient approprié sous le filtre à huile.
2. À l'aide d'une clé à sangle ou d'une clé pour filtre à huile, retirer le filtre à huile. Tourner le filtre dans le sens inverse des aiguilles d'une montre pour le retirer.
3. Appliquer une fine couche d'huile ou de graisse neuve sur le joint (A) du filtre à huile.



4. Installer le nouveau filtre (*pièce n° 56384270*) en le tournant dans le sens des aiguilles d'une montre.
5. Tourner le filtre jusqu'à ce que le joint entre en contact avec la surface de montage (B) du moteur. Puis tourner le filtre À LA MAIN de 3/4 de tour.
6. Reconnecter la bouteille GPL au tuyau de carburant.
7. Faire tourner le moteur au ralenti pendant 2 minutes. Vérifier l'absence de fuites autour du moteur.
8. Arrêter le moteur. Vérifier le niveau d'huile (voir la section *Vérification du niveau d'huile*).

Inspection et remplacement de la bougie

1. Fermer la bouteille GPL et la retirer.
2. Retirer le protecteur de bougie de la bougie.
3. Retirer la bougie en la tournant dans le sens inverse des aiguilles d'une montre et l'inspecter.

Remarque : Si la bougie est huileuse ou est calaminée, la nettoyer à l'aide d'un solvant à point éclair élevé et d'une brosse métallique ou d'un autre outil approprié.

Remarque : Si les électrodes de la bougie sont corrodées ou endommagées, ou si l'isolant est fissuré, remplacer la bougie. **Utiliser uniquement la pièce n° 56384271. NE PAS utiliser une autre bougie!**

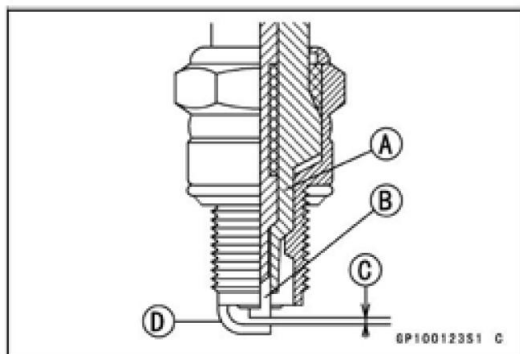
4. Mesurer l'écartement avec une jauge d'épaisseur à fil. L'écartement approprié est de 0,025 po (0,635 mm). Si l'écartement est incorrect, plier soigneusement l'électrode latérale avec un outil approprié pour obtenir le bon écartement.

A : Isolant

B : Électrode centrale

C : Écartement de la bougie

D : Électrode latérale



Inspection et remplacement du filtre à air

1. Pousser la machine jusqu'à une surface de niveau.
2. Fermer la bouteille GPL et la retirer.
3. Tourner les deux boutons d'1/4 de tour dans le sens



inverse des aiguilles d'une montre et retirer le couvercle du filtre.

4. Desserrer le serre-joint qui retient le filtre et retirer le filtre à air.

ATTENTION! Ne pas laver les filtres à air. Ne pas graisser les filtres à air. Ne pas utiliser de l'air comprimé pour nettoyer les filtres à air.

5. Inspecter les filtres à air primaire et secondaire. Si nécessaire, nettoyer le filtre primaire en le tapotant légèrement et essuyer les extrémités du joint avec un chiffon propre. Si le filtre primaire ne peut pas être nettoyé, est plié ou endommagé, il doit être remplacé. **(Pièce n° 56384272)** Si le filtre secondaire est sale, ne pas tenter de le nettoyer. Le remplacer par un filtre neuf **(pièce n° 56384268)**.
6. Vérifier le tuyau d'admission pour fissures ou dommages.
7. Installer les filtres et remettre le couvercle.

Inspecter le tuyau de carburant et les connexions

1. Pousser la machine jusqu'à une surface de niveau.
2. Fermer la bouteille GPL et la retirer.
3. Vérifier les tuyaux pour y déceler des abrasions et d'autres signes d'usure. Remplacer tous les tuyaux usés ou endommagés.
4. Rechercher les fuites de gaz en étalant une solution d'eau savonneuse autour de tous les raccords tandis que la bouteille de GPL est reconnectée et que le robinet de service est OUVERT.



5. Si une fuite est détectée, fermer la bouteille GPL. Si la fuite est dans un tuyau, le remplacer. Si la fuite est au niveau d'un raccord, le desserrer et le nettoyer. Appliquer un composé d'étanchéité pour tuyaux et le resserrer.
6. Vérifier à nouveau l'étanchéité en utilisant une solution d'eau savonneuse. Si les fuites persistent au niveau des raccords, les remplacer, puis vérifier à nouveau avec une solution d'eau savonneuse.

Filtre à poussières de moteur

1. Le filtre à poussières de moteur doit être nettoyé toutes les heures et après chaque utilisation en secouant la poussière, puis en le rinçant avec un détergent doux. Le filtre peut également être nettoyé avec un aspirateur pour débris secs ou humides.
2. Presser l'excédent d'eau (*ne pas tordre*).
3. Laisser sécher le filtre à l'air.

Remarque : Le défaut de maintenir un filtre moteur propre entraînera une surchauffe du moteur. En outre, il peut causer des niveaux nocifs d'émissions d'échappement. Si nécessaire, le remplacer par (**pièce n° 56384280**).



Jeu des soupapes et resserrement des culasses :

Se reporter au manuel d'entretien FS481V de Kawasaki.

Siège de soupape :

Se reporter au manuel d'entretien FS481V de Kawasaki.

Entretien des vis de culasse

Se reporter au manuel d'entretien FS481V de Kawasaki.

Entretien des ailettes de refroidissement

- A. Retirer le boîtier du ventilateur et tout autre déflecteur.
- B. Nettoyer les ailettes de refroidissement si nécessaire en utilisant de l'air comprimé ou un nettoyeur haute pression.
- C. Réinstaller tous les boîtiers et déflecteurs du ventilateur.

Inspecter les patins et les supports de patins

1. Pousser la machine jusqu'à une surface de niveau.
2. Fermer la bouteille GPL et la retirer.
3. Basculer la machine vers l'arrière en en soulevant l'avant jusqu'à ce qu'elle repose sur les poignées. (Voir la section « Rok-Bak/Réglage de la poignée »).
4. Retirer le dispositif de centrage et inspecter le patin. Si le patin est usé à moins de 1/4 po (6 mm), le remplacer.
5. Inspecter le support du patin pour fissures ou dommages. Si le support du patin ne présente aucun dommage, passer à l'étape 9.

AVERTISSEMENT! Un support de patin endommagé tournant à une vitesse élevée peut constituer un danger extrême s'il venait à se séparer.

6. Si le patin doit être retiré, une clé de 3/4 po sera nécessaire. Repérer les pans de clé au-dessus de l'arbre à broche. Avec l'arbre à broche sécurisé, tourner le support du patin dans le sens inverse des aiguilles d'une montre jusqu'à ce qu'il soit libre de l'arbre à broche.
7. Garder la rondelle et/ou l'entretoise qui se trouve sur l'arbre à broche. S'assurer qu'ils sont en place au moment de l'installation du support du patin.
8. Au moment d'enfiler le support du patin sur l'arbre à broche, utiliser la clé pour empêcher l'arbre de tourner. S'assurer que le support du patin est serré avant de continuer.
9. Fixer le patin avec le dispositif de centrage.
10. Abaisser la machine.

Entretien de la courroie

1. Pousser la machine jusqu'à une surface de niveau.
2. Fermer la bouteille GPL et la retirer.
3. Placer la machine en position basculée en arrière en soulevant l'avant de la machine jusqu'à ce qu'elle repose sur les poignées.
4. Tourner l'entraînement du patin et inspecter la courroie.
5. Si des fissures ou une usure excessive sont présentes, la courroie doit être remplacée.
6. Pour vérifier que la courroie est bien tendue, appuyer sur la courroie. La courroie doit s'enfoncer de 1/4 po (0,6 cm) à 1/2 po (1,3 cm).

Pour changer la courroie

(21 po) Pièce n : 56384347

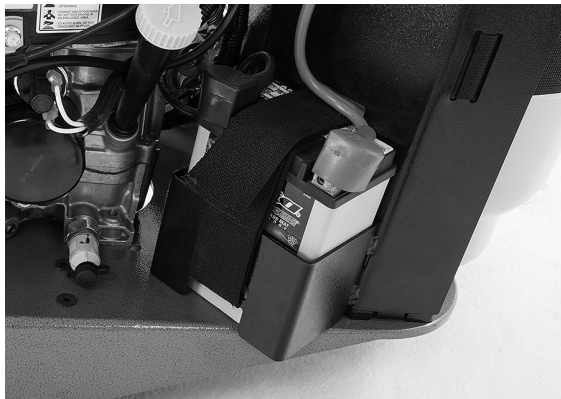
(27 po) Pièce n : 56384279

- A. Retirer le support du patin en maintenant l'extrémité de l'arbre au-dessus de la machine avec une clé de 3/4 po et tourner le support du patin dans le sens inverse des aiguilles d'une montre.
- B. Utiliser la clé de 3/4 po pour tourner l'extrémité de l'arbre à broche au-dessus de la machine tout en retirant l'ancienne courroie de la poulie de broche.
- C. Retirer complètement la courroie de la poulie du moteur, si nécessaire.
- D. Vérifier que la poulie du moteur est alignée avec la poulie de broche. Vérifier que la quincaillerie de fixation des poulies soit bien serrée.
- E. Installer la courroie neuve sur la poulie du moteur.
- F. Réinstaller la courroie neuve sur la poulie de broche en utilisant la clé de 3/4 po pour tourner la broche dans le sens des aiguilles d'une montre. S'assurer que la courroie est correctement placée sur la poulie de tension.
- G. Remettre le support du patin sur l'arbre à broche.
- H. Abaisser la machine en position de polissage.
- I. Vérifier que la courroie fonctionne bien. Vérifier que toute la quincaillerie est bien serrée.

Entretien de la batterie

La batterie fournie avec cette machine est de type AGM (Absorbent Glass Mat), scellée, de type sans entretien. Elle n'a jamais besoin d'entretien. Lorsque le remplacement de la batterie est nécessaire, utiliser la pièce n° : **56384309**.

1. Pousser la machine jusqu'à une surface de niveau.



2. Fermer la bouteille GPL et la retirer.
3. Débrancher d'abord le câble négatif NOIR de la batterie. Débrancher en dernier le câble positif ROUGE.
4. Desserrer la sangle de fixation de la batterie.
5. Retirer l'ancienne batterie et la remplacer par une batterie neuve.
6. Fixer la batterie avec la sangle de fixation de la batterie.
7. Rebrancher d'abord le câble positif ROUGE de la batterie. Rebrancher en dernier le câble négatif NOIR de la batterie.

Remarque : Éliminer l'ancienne batterie de la manière appropriée. La plupart des magasins de pièces automobiles acceptent les batteries usagées pour recyclage.

AVERTISSEMENT DE LA PROPOSITION 65

- Les bornes et les cosses de batterie et les accessoires connexes contiennent du plomb et des composés de plomb, des produits chimiques reconnus par l'État de Californie comme causant des cancers et des troubles de la reproduction.
- Les batteries contiennent également d'autres produits chimiques reconnus par l'État de Californie comme causant le cancer.
- Se laver bien les mains après manipulation.

Rangement de la machine

Seul le personnel qualifié et autorisé doit avoir accès aux bouteilles de propane et aux machines.

1. Retirer la bouteille de propane lorsqu'elle n'est pas en cours d'utilisation et la ranger à l'extérieur dans une cage de stockage conformément au Manuel NFPA 58 CAN/CGAB149.2. Ne pas libérer ou évacuer du propane à l'intérieur du bâtiment. Consulter le commissaire des incendies local pour s'assurer de la conformité avec les codes d'incendie locaux.
2. Ranger la machine loin des objets qui peuvent tomber sur elle et l'endommager.
3. Ne jamais ranger la machine ou les bouteilles de carburant à proximité d'une flamme nue ou d'un dispositif produisant de la chaleur.
4. S'assurer que la machine est bien nettoyée avant de la ranger.
5. Ne jamais ranger la machine avec des bouteilles installées, ou ranger des bouteilles de recharge dans une fourgonnette ou une remorque fermée.
6. Ranger la machine dans un endroit sec, la température ne doit pas dépasser 120 °F (50 °C).

Remballage de la machine

Se reporter à la section *Déballage* et remballer la machine en utilisant des matériaux d'emballage et le conteneur d'origine. Ranger la machine dans un endroit sec, la température ne doit pas dépasser 120 °F (50 °C).

Transport de la machine

Lors du transport d'une lustreuse de plancher au propane avec la bouteille de propane installée, la bouteille doit être solidement fixée, le robinet de service doit être fermé et la machine doit être fixée en toute sécurité dans le véhicule. Toutes les bouteilles de carburant non installées doivent être solidement fixées pour éviter les mouvements et les dommages. Ne jamais ranger la machine avec des bouteilles installées ou ranger des bouteilles de recharge dans une fourgonnette ou une remorque fermée. Il est conseillé de vérifier que les bouteilles de propane ne sont pas trop remplies avant de les transporter. Si elles sont trop remplies, corriger la condition avant de les charger dans le véhicule en évacuant l'excès de propane à l'extérieur dans un endroit sûr en utilisant le robinet de purge.

Caractéristiques de la machine

<u>Démarrage :</u>	Batterie de 12 V cc
<u>Plate-forme :</u>	Aluminium moulé
<u>Niveau de bruit :</u>	< 89 dB(A)
<u>Vibrations :</u>	Moins de 2,5 m/s ²
<u>Moteur :</u>	Kawasaki FS481V, 603 cm ³ , refroidissement à air
<u>Vitesse du moteur :</u>	Ralenti — 1 800 à 2 000 tr/min Ralenti haut — 3 400 à 3 500 tr/min
<u>Huile moteur :</u>	SAE 30 avec API service SH ou SJ
<u>Capacité d'huile moteur :</u>	Filtre pas retiré — 1,6 pte (1,5 l) Filtre retiré — 1,8 pte (1,7 l)
<u>Filtre à air primaire de moteur (élément en papier) :</u>	56384272
<u>Dépoussiéreur primaire d'air de moteur (élément en mousse) :</u>	56384268
<u>Bougie :</u>	56384271
<u>Écartement de bougie :</u>	0,025 po (0,635 mm)
<u>Type de bouteille GPL :</u>	20 lb (9,1 kg) soutirage de vapeur

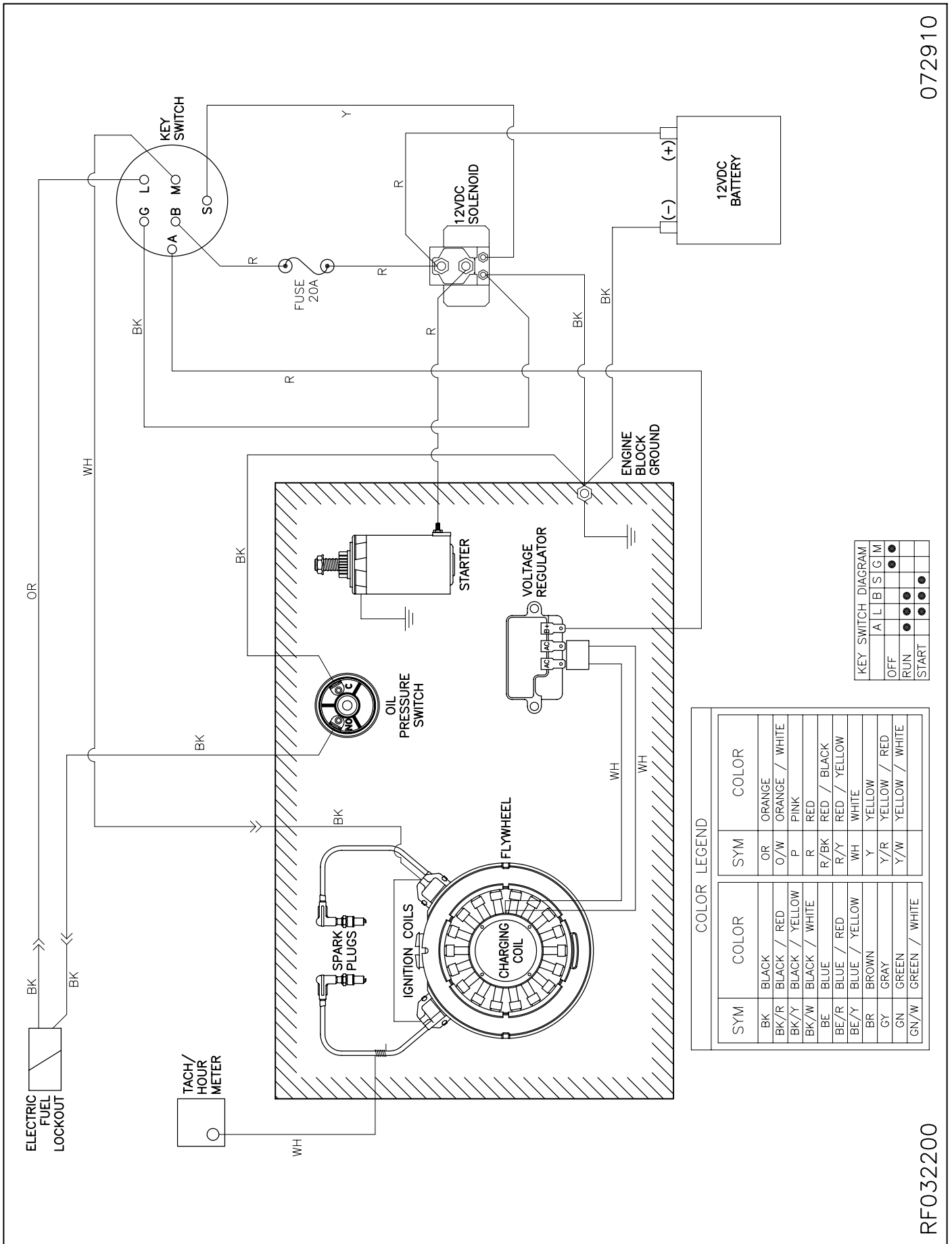
Machines de 21 po

Taille du patin :	21 po (53,3 cm)
Vitesse du patin :	2 000 tr/min
Largeur :	23,5 po (59,7 cm)
Longueur :	56 po (142,4 cm)
Hauteur :	39,5 po (100 cm)
Poids :	187 lb (sans bouteille) (85 kg)

Machines de 27 po

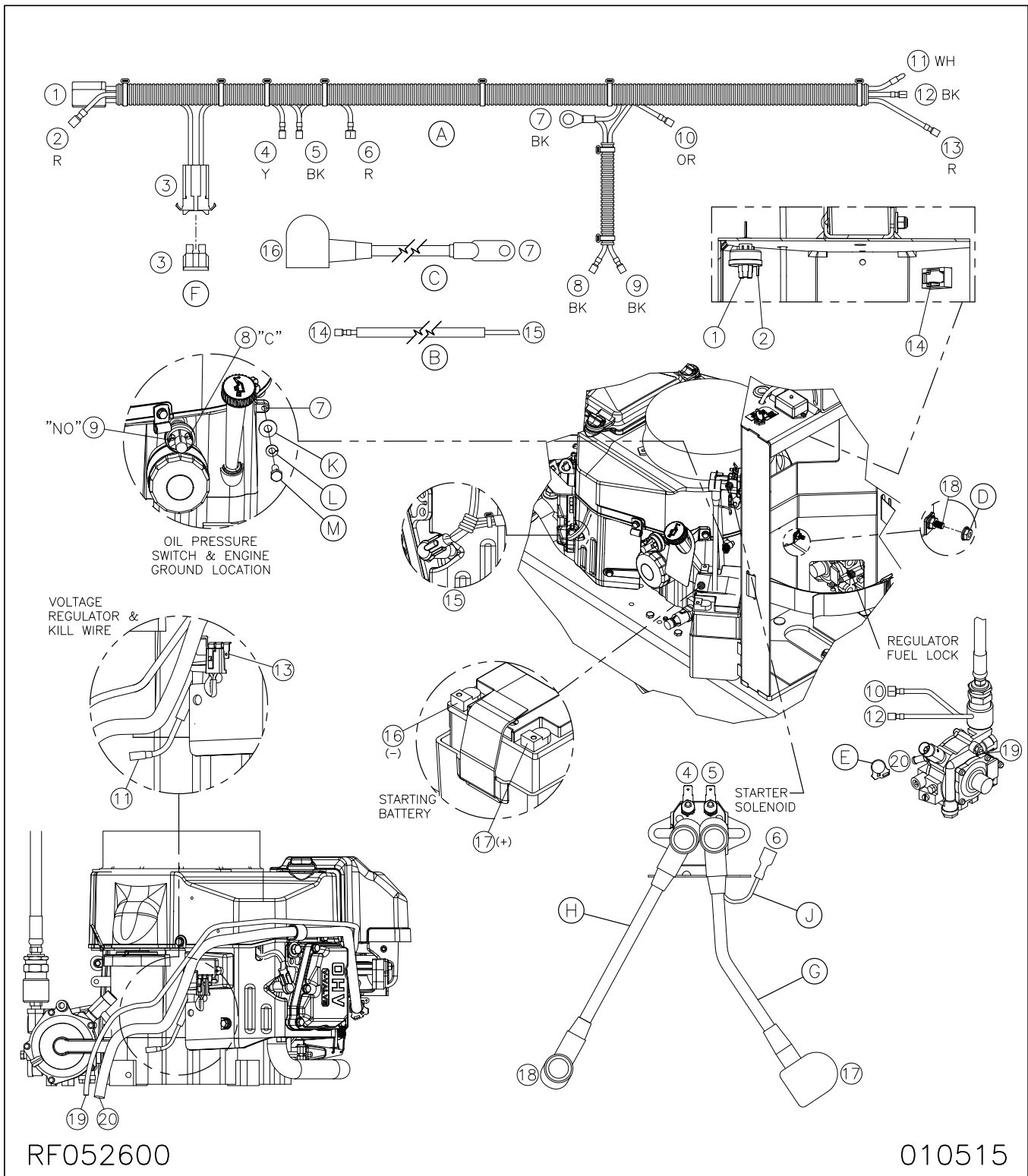
Taille du patin :	27 po (68,6 cm)
Vitesse du patin :	1 500 tr/min
Largeur :	30,5 po (77,5 cm)
Longueur :	61,5 po (156,2 cm)
Hauteur :	41,0 po (104 cm)
Poids :	200 lb (sans bouteille) (91 kg)

Electrical Schematic



072910

RF032200

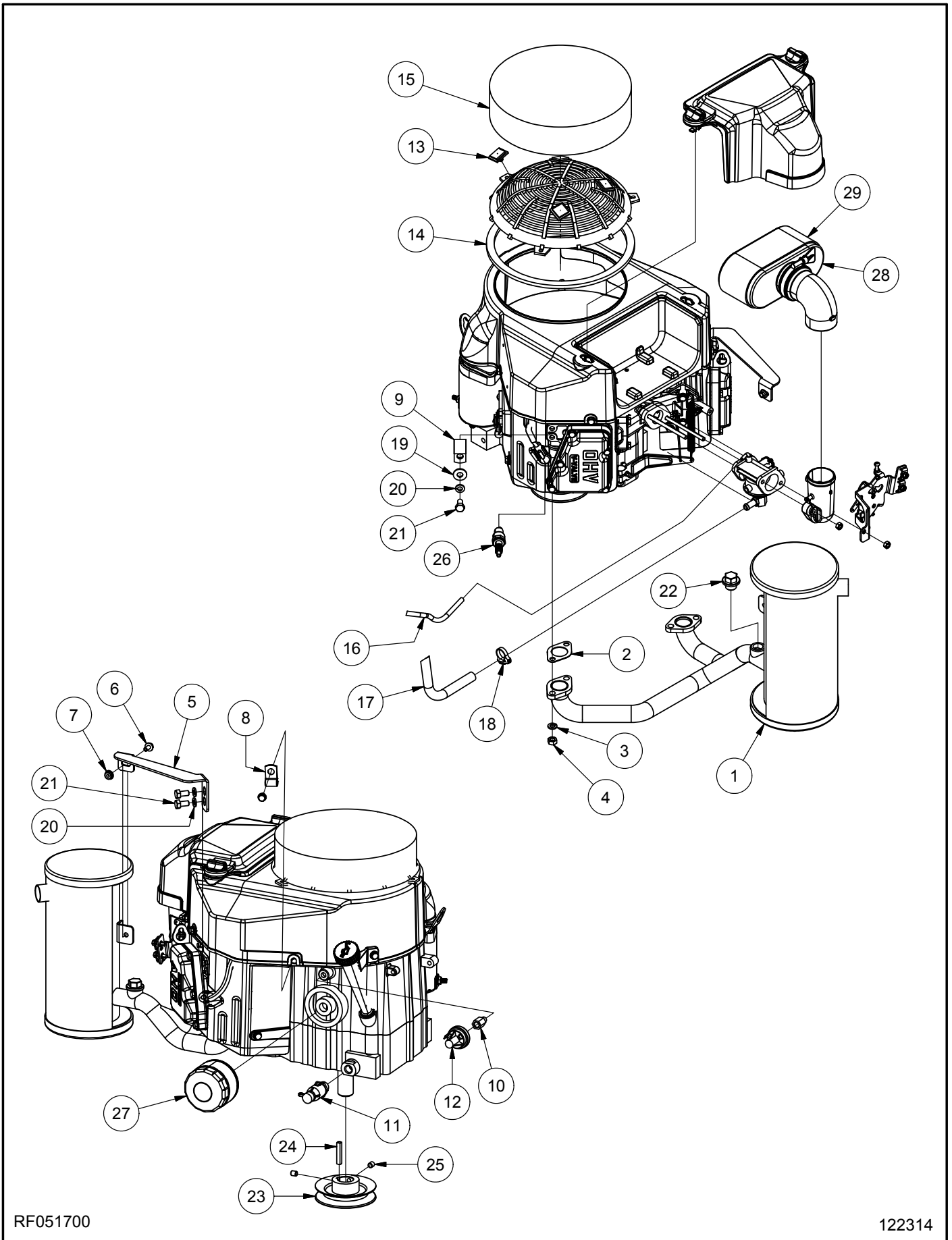


RF052600

010515

Item	Ref. No.	Description	Qty	Item	Ref. No.	Description	Qty
A	56384351	HARNESS, WIRING	1	G	56384327	CABLE, BATTERY, POS., 14"	1
B	56384303	WIRE, METER, HOUR	1	H	56384346	CABLE, BATTERY, POS., 17"	1
C	56384323	CABLE, BATTERY, NEG., 10"	1	J	56384307	WIRE, SOLENOID	1
D	56384382	NUT, FLANGE, 1/4"	1	K	56001939	WASHER, FLAT, 5/16"	1
E	56384369	CLAMP, HOSE	1	L	56384379	WASHER, LOCK, 5/16"	1
F	56384374	FUSE, 20A	1	M	56003436	BOLT, HEX, M8 X 25	1

Engine Assembly



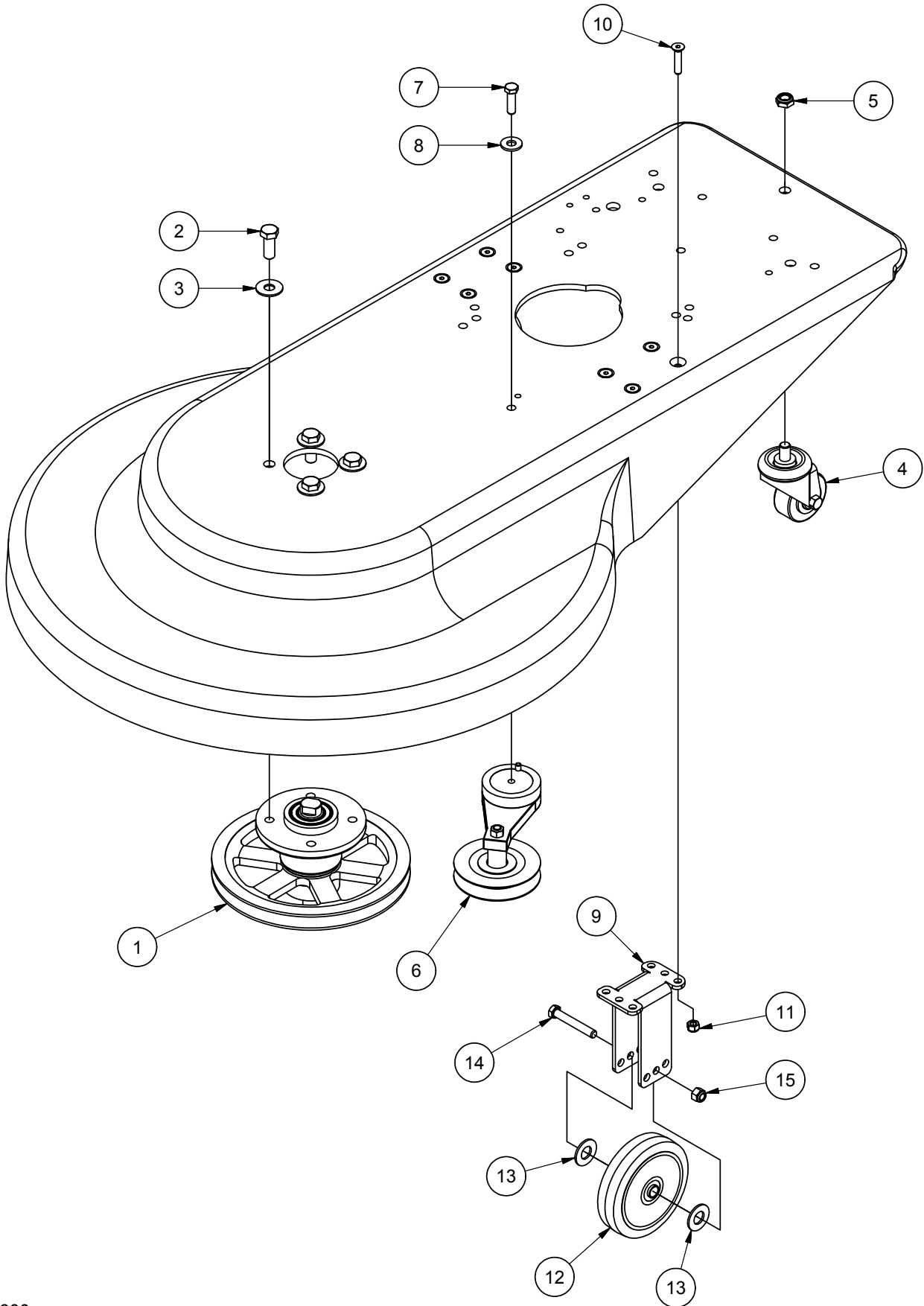
RF051700

122314

Engine Assembly (continued)

Item	Ref. No.	Description	Qty
1	56384336	MUFFLER, VERTICAL	1
2	56384269	GASKET, MUFFLER	2
3	56384384	WASHER, LOCK, 8MM	4
4	56003352	NUT, HEX, M8	4
5	56384338	BRACE, MUFFLER	1
6	56384376	SCREW, 1/4" X 1/2"	1
7	56384382	NUT, 1/4-20	1
8	56384370	CLAMP, 1/4"	1
9	56384371	CLAMP, 3/4"	1
10	56384281	ADAPTER, 1/8" NPT	1
11	56384314	VALVE, DRAIN, OIL	1
12	56384278	SWITCH, PRESSURE, OIL	1
13	56384357	STUD, VELCRO	4
14	56384285	FOAM, 1/2" X 3/8"	1
15	56384280	FILTER, RECOIL	1
16	56384364	HOSE, VACUUM, 5/32"	26"
17	56384366	HOSE, FUEL, 3/8"	25"
18	56384369	CLAMP, HOSE	1
19	56001939	WASHER, FLAT, 5/16"	1
20	56384379	WASHER, LOCK, 5/16"	3
21	56003423	BOLT, HEX, M8 X 16	3
22	56384276	PLUG, SENSOR	1
23	56384317	PULLEY, 4.00"	1
24	56384354	KEY, 1/4" X 1-1/2"	1
25	56384365	SCREW, SET, 5/16" X 3/8"	2
26	56384271	PLUG, SPARK, NGK, BPR4ES	1
27	56384270	FILTER, OIL	1
28	56384272	ELEMENT, FILTER, AIR	1
29	56384268	PRECLEANER, AIR	1

Deck Assembly



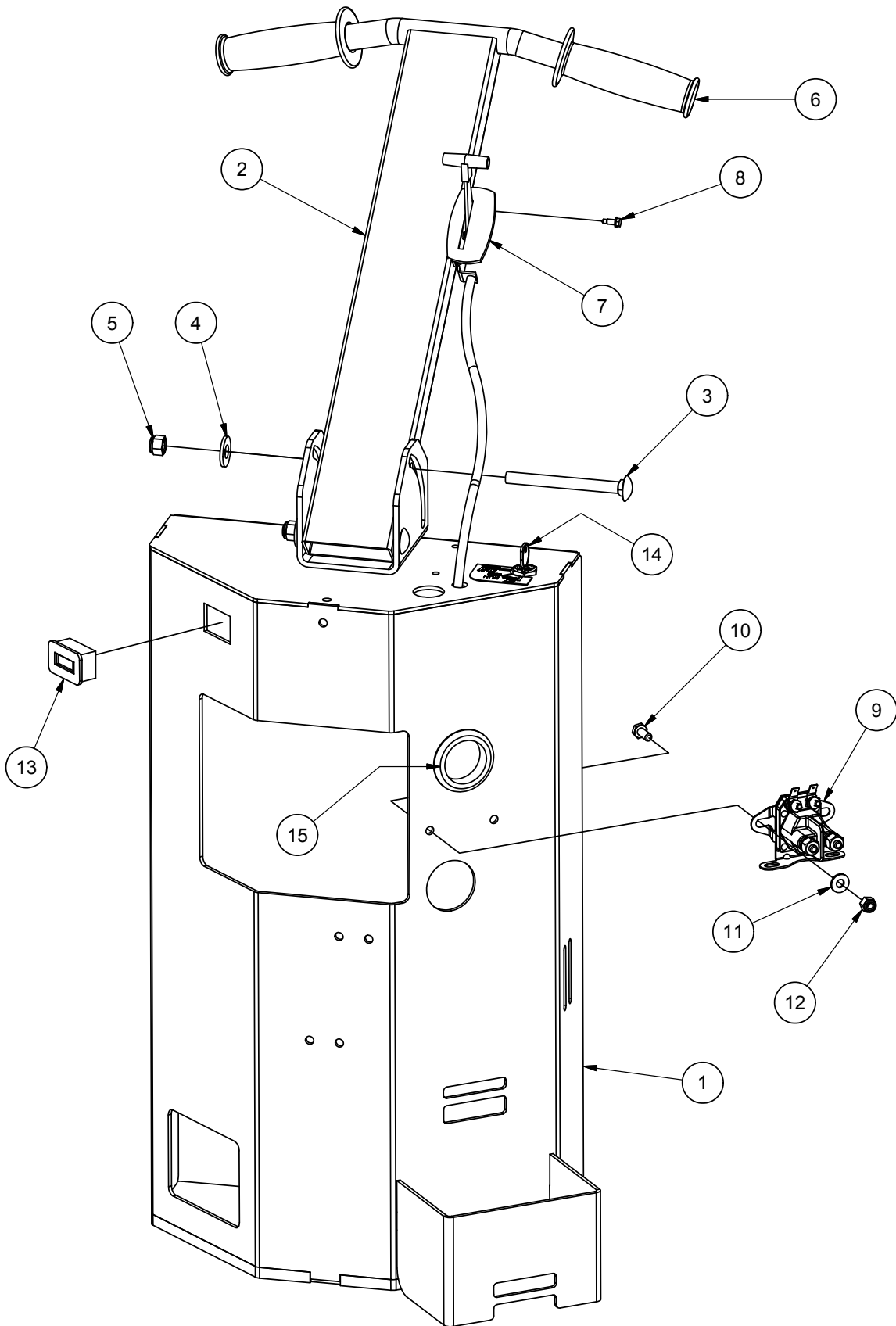
RF051800

121914

Deck Assembly (continued)

<u>Item</u>	<u>Ref. No.</u>	<u>Description</u>	<u>Qty</u>
1A	56384289	SPINDLE, 6.75", ASM. (21")	1
1B	56384329	SPINDLE, 9.25", ASM. (27")	1
2	56001831	BOLT, HEX, 1/2" X 1-1/4"	4
3	56009068	WASHER, FLAT, 7/16"	4
4	56384275	CASTER, 2-1/2"	1
5	56009152	NUT, HEX, 1/2"	1
6	56384284	TENSIONER, BELT	1
7	56001858	BOLT, HEX, 3/8" X 1-1/4"	1
8	56002063	WASHER, FLAT, 3/8"	1
9	56384339	BRACKET, WHEEL	2
10	56384362	BOLT, FLAT, 5/16" X 1-1/2"	8
11	56002950	NUT, LOCK, 5/16"	8
12	56384287	WHEEL, 5"	2
13	56002022	WASHER, FLAT, 5/8"	4
14	56001873	BOLT, HEX, 3/8" X 2-1/2"	2
15	56002951	NUT, LOCK, 3/8"	2

Handle Assembly



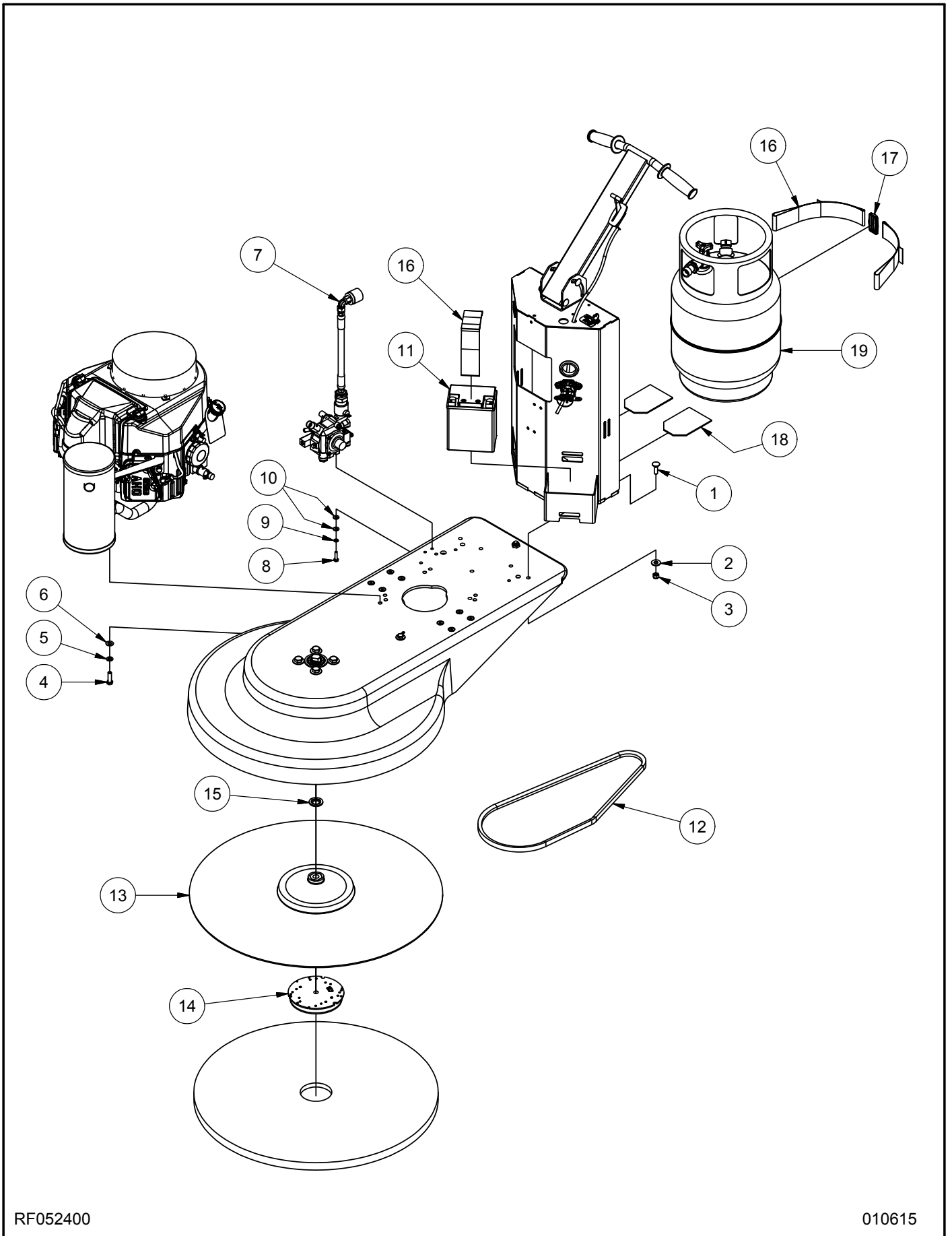
RF052000

121914

Handle Assembly (continued)

<u>Item</u>	<u>Ref. No.</u>	<u>Description</u>	<u>Qty</u>
1	56384337	BULKHEAD, HANDLE	1
2	56384311	HANDLE, TOP	1
3	56384386	BOLT, CARRIAGE, 3/8" X 4"	2
4	56002063	WASHER, FLAT, 3/8"	2
5	56002951	NUT, LOCK, 3/8"	2
6	56384312	GRIP, HANDLE	2
7	56384318	CABLE, THROTTLE	1
8	56384380	SCREW, #8 X 1/2"	2
9	56384313	SOLENOID, STARTER	1
10	56001836	BOLT, HEX, 1/4" X 5/8"	2
11	56002098	WASHER, FLAT, 1/4"	2
12	56002708	NUT, LOCK, 1/4"	2
13	56384302	METER, HOUR / TACH	1
14A	56384299	SWITCH, KEY (INCL. KEY)	1
14B	56384273	KEY, SWITCH	1
15	56384368	GROMMET, 1-1/2"	1

Main Assembly



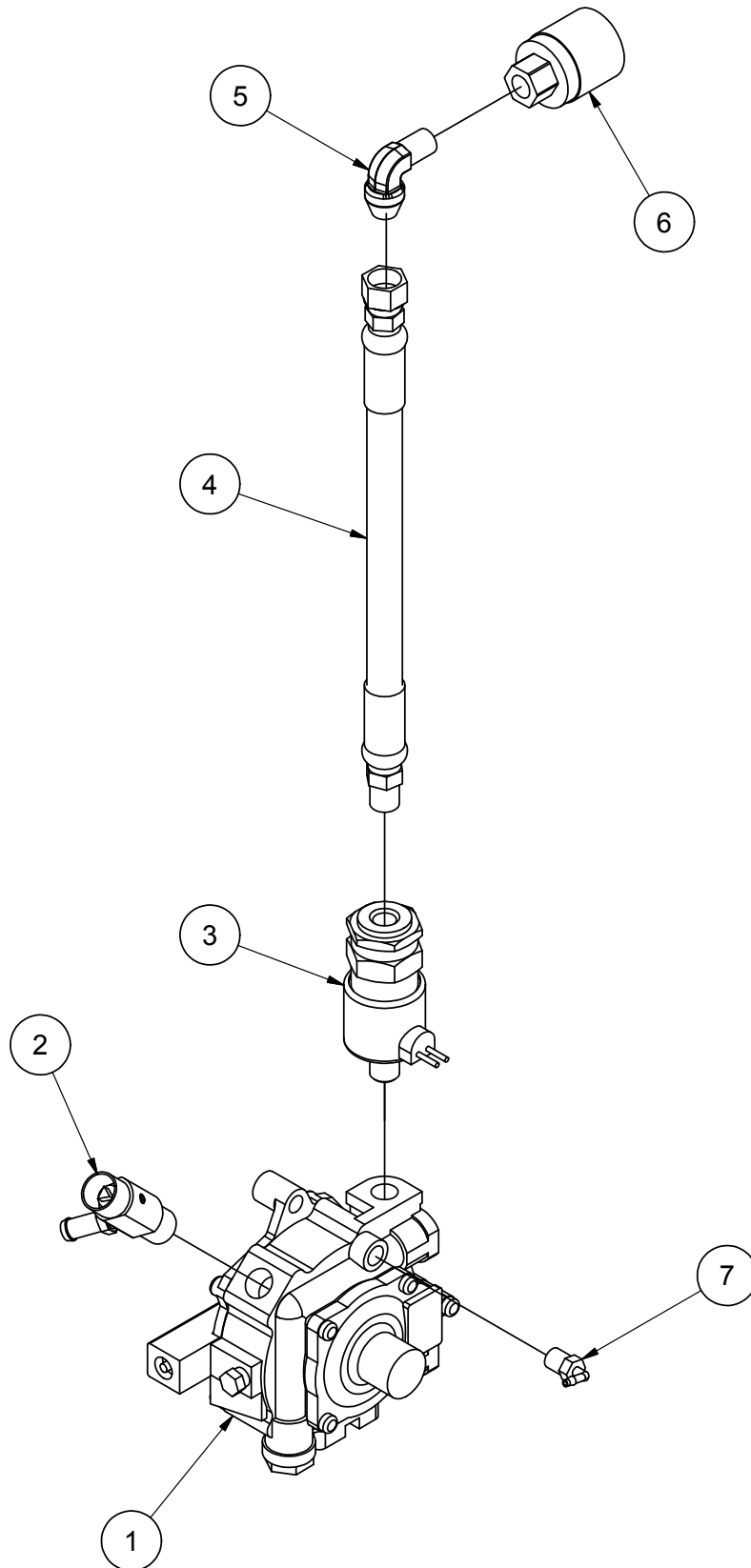
RF052400

010615

Main Assembly (continued)

<u>Item</u>	<u>Ref. No.</u>	<u>Description</u>	<u>Qty</u>
1	56384385	BOLT, CARRIAGE, 3/8" X 1-1/4"	3
2	56002063	WASHER, FLAT, 3/8"	3
3	56002951	NUT, LOCK, 3/8"	3
4	56001858	BOLT, HEX, 3/8" X 1-1/4"	3
5	56384383	WASHER, LOCK, 3/8"	3
6	56002063	WASHER, FLAT, 3/8"	3
7	56384320	REGULATOR, LP, ASM.	1
8	56002093	BOLT, HEX, 1/4" X 1"	2
9	56384378	WASHER, LOCK, 1/4"	2
10	56002098	WASHER, FLAT, 1/4"	4
11	56384309	BATTERY, 12V	1
12A	56384347	BELT, BX-41 (21")	1
12B	56384279	BELT, BX-53 (27")	1
13A	56384300	PADHOLDER, 21", ASM.	1
13B	56384306	PADHOLDER, 27", ASM.	1
14	56384274	RETAINER, PAD	1
15	56384298	SPACER	1
16	56384319	STRAP, 2" X 23"	3
17	56384316	SLIDE, STRAP	1
18	56384348	PAD, TANK	2
19	56384288	CYLINDER, STEEL, LP	1

Regulator Assembly



RF052900

010815

Regulator Assembly (continued)

<u>Item</u>	<u>Ref. No.</u>	<u>Description</u>	<u>Qty</u>
1	56384373	REGULATOR, LP	1
2	56384277	ADJUSTMENT, FUEL, ASM.	1
3	56384304	FUELOCK, ASM.	1
4	56384315	HOSE, FUEL, 13"	1
5	56384328	FITTING, ELBOW	1
6	56384330	COUPLER, REGO	1
7	56384308	FITTING, ELBOW, 1/8"	1

EMISSION CONTROL WARRANTY STATEMENT

YOUR WARRANTY RIGHTS AND OBLIGATIONS

The California Air Resources Board and Nilfisk-Advance, Inc. are pleased to explain the emission control system warranty on your 2015 small off-road engine (SORE). In California and the other 49 states, new SORE engines must be designed, built and equipped to stringent anti-smog standards. Nilfisk-Advance, Inc. must warrant the emission control system on your SORE engine for the periods of time listed below provided that there has been no abuse, neglect or improper maintenance of your engine.

Your emission control system may include parts such as the carburetor or fuel injection system, the ignition system, and catalytic converter. Also included may be hoses, belts, connectors and other emission related assemblies.

Where a warrantable condition exists, Nilfisk-Advance Inc. will repair your SORE engine at no cost to you including diagnosis, parts and labor.

MANUFACTURER'S WARRANTY COVERAGE

The 2015 small off-road engines are warranted for two years. If any emission-related part on your engine is defective, the part will be repaired or replaced by Nilfisk-Advance Inc.

OWNER'S WARRANTY RESPONSIBILITIES

As the small off-road engine (SORE) owner, you are responsible for the performance of the required maintenance listed in your owner's manual. Nilfisk-Advance Inc. recommends that you retain all receipts covering maintenance of your SORE engine but Nilfisk-Advance Inc. cannot deny warranty solely for the lack of receipts or for your failure to ensure the performance of all scheduled maintenance. As the SORE owner you should however be aware that Nilfisk-Advance Inc. may deny you warranty if your SORE or a part has failed due to abuse, neglect, improper maintenance or unapproved modifications. You are responsible for presenting your utility equipment engine to a Nilfisk-Advance Inc. distribution center as soon as the problem exists. The warranty repairs should be completed in a reasonable amount of time, not to exceed 30 days.

If you have any questions regarding your warranty rights and responsibilities, you should contact Nilfisk-Advance, Inc. at 1-800-989-2235.

Nilfisk-Advance, Inc.
14600 21st Avenue North
Plymouth, MN 55447

MANUFACTURER'S EXPLANATION OF WARRANTY COVERAGE

The engine manufacturer warrants to the original owner and each subsequent purchaser that each new engine will be free from manufacturing defects in materials or workmanship under normal use during a period of two (2) years from the date of delivery, provided it is operated and maintained in accordance with engine owner manual operating instructions.

Repair or replacement of any warranted part will be performed at no cost to the owner at a warranty station. For the Nilfisk-Advance Inc. repair station nearest you call 1-800-989-2235.

Any warranted part which is not scheduled for replacement as required maintenance, or which is scheduled only for regular inspection to the effect of "repair or replace as necessary" is warranted for the warranty period. Any warranted part which is scheduled for replacement as required maintenance is warranted for the period of time up to the first scheduled replacement point for that part.

The owner will not be charged for diagnostic labor which leads to the determination of that a warranted part is defective, if the diagnostic service is performed at a warranty station.

Nilfisk-Advance Inc. is liable for damages to other engine components caused by the failure of a warranted part still under warranty. Nilfisk-Advance Inc. is not liable for failures of warranted parts caused by the use of add-on or modified parts.

Warranty service or repairs are available at all Nilfisk-Advance Inc. service centers that are franchised to service this engine.

Any Nilfisk-Advance Inc. approved replacement part may be used in the performance of warranty maintenance or repairs on emission-related parts and will be provided to the owner without charge if the part is still under warranty.

The owner is responsible for the performance of the required maintenance, as defined in the Nilfisk-Advance Inc. owner's manual for this engine.

SPECIFIC EMISSION-RELATED WARRANTED PARTS

Carburetor, Spark Plug, Air Filter Element, Fuel Lock, Wiring Harness, LPG Regulator, Intake Manifold, Exhaust Manifold, Muffler with Catalytic Converter, Magneto.

Nilfisk-Advance

SAFETY AWARENESS FORM FOR PROPANE MACHINES

The following must be completed before an employee may use a propane machine!

I have read the "Operators Manual" and understand it.

Name: _____ Date: _____
(Print or Type)

Demonstrate to your instructor that you can do the following properly and safely:

How to prepare the propane machine for operation:

- A. Install pads.....
- B. Check oil.....
- C. Adjust handle.....
- D. Check fuel cylinder for overfilling.....
- E. Install fuel cylinder.....
- F. Do you have a MSDS for propane?.....

How to operate a propane machine:

- A. Start and stop the engine.....
- B. Emergency stop.....
- C. Clean air filter.....

Cautions:

- A. Allow only qualified, trained personnel to operate the machine.
- B. Use only D.O.T. approved fuel cylinders supplied by Nilfisk-Advance.
- C. Always store fuel cylinders outside in a proper enclosure.
- D. Never vent a fuel cylinder inside.
- E. Always wear a CO detector badge.
- F. Never leave the machine running unattended.
- G. Know what to do and whom to call in case of emergency.

When all items are checked off and this form is signed by an instructor or supervisor, you may operate a propane machine.

Employee Signature:

Date:

Instructor/Supervisor Signature:

Date:

