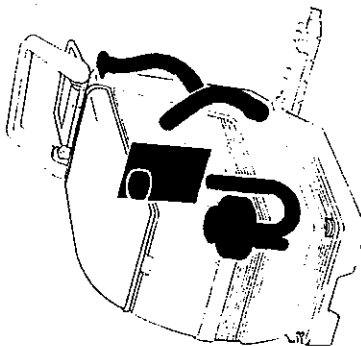


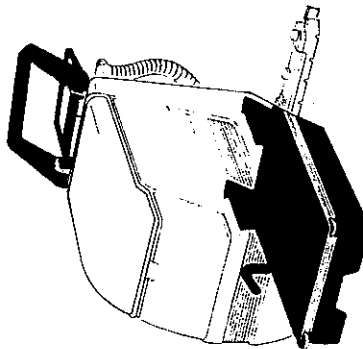
Quick Guide for Contents

TANK BLOWER
MOTOR SECTION



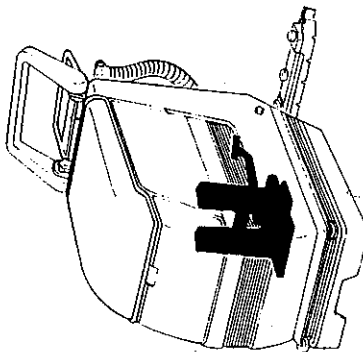
See Page 6

BASE HANDLE
SECTION



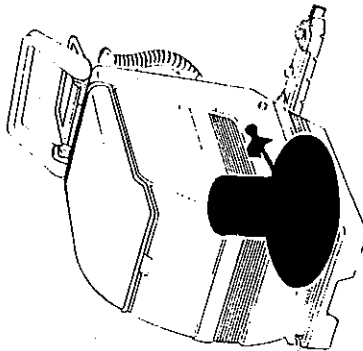
See Page 14

MOTOR BRACKET
SECTION



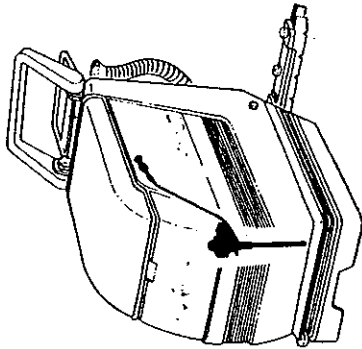
See Page 18

BRUSH MOTOR
SECTION



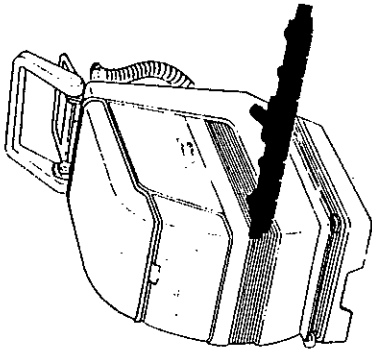
See Page 20

**WATER SUPPLY
SECTION**



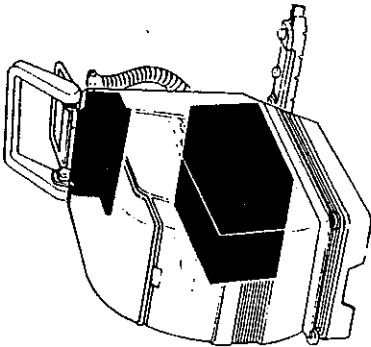
See Page 24

**SQUEEGEE
SECTION**



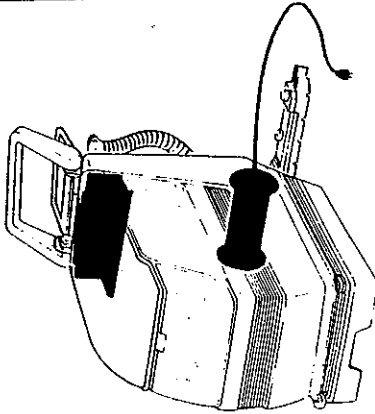
See Page 28

**ELECTRICAL
SECTION**



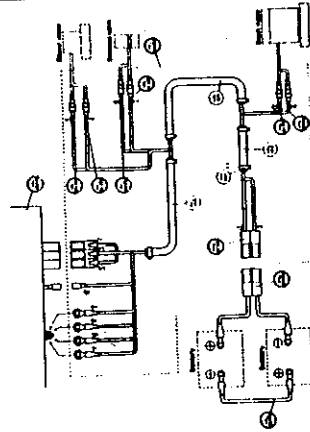
See Page 32

**ELECTRICAL
SECTION**



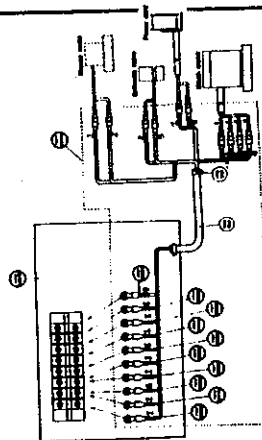
See Page 40

**WIRING
ASSEMBLY**



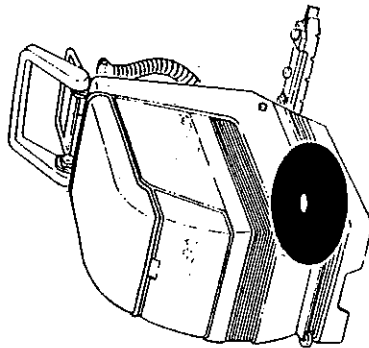
See Page 48

**WIRING
ASSEMBLY**



See Page 50

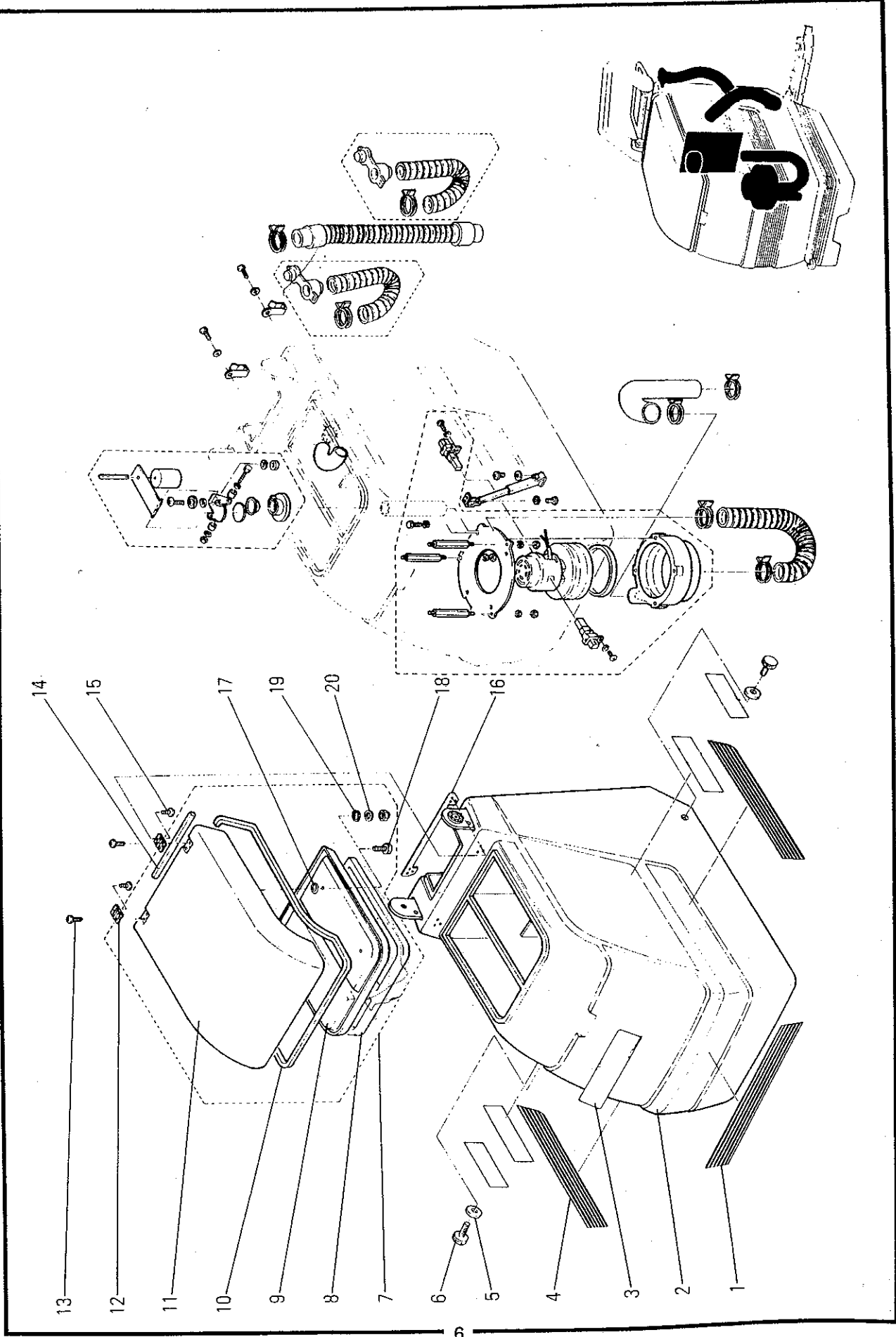
**OPTIONAL
PARTS**



See Page 52

TANK BLOWER MOTOR SECTION

Fig-1 C746HI-S01

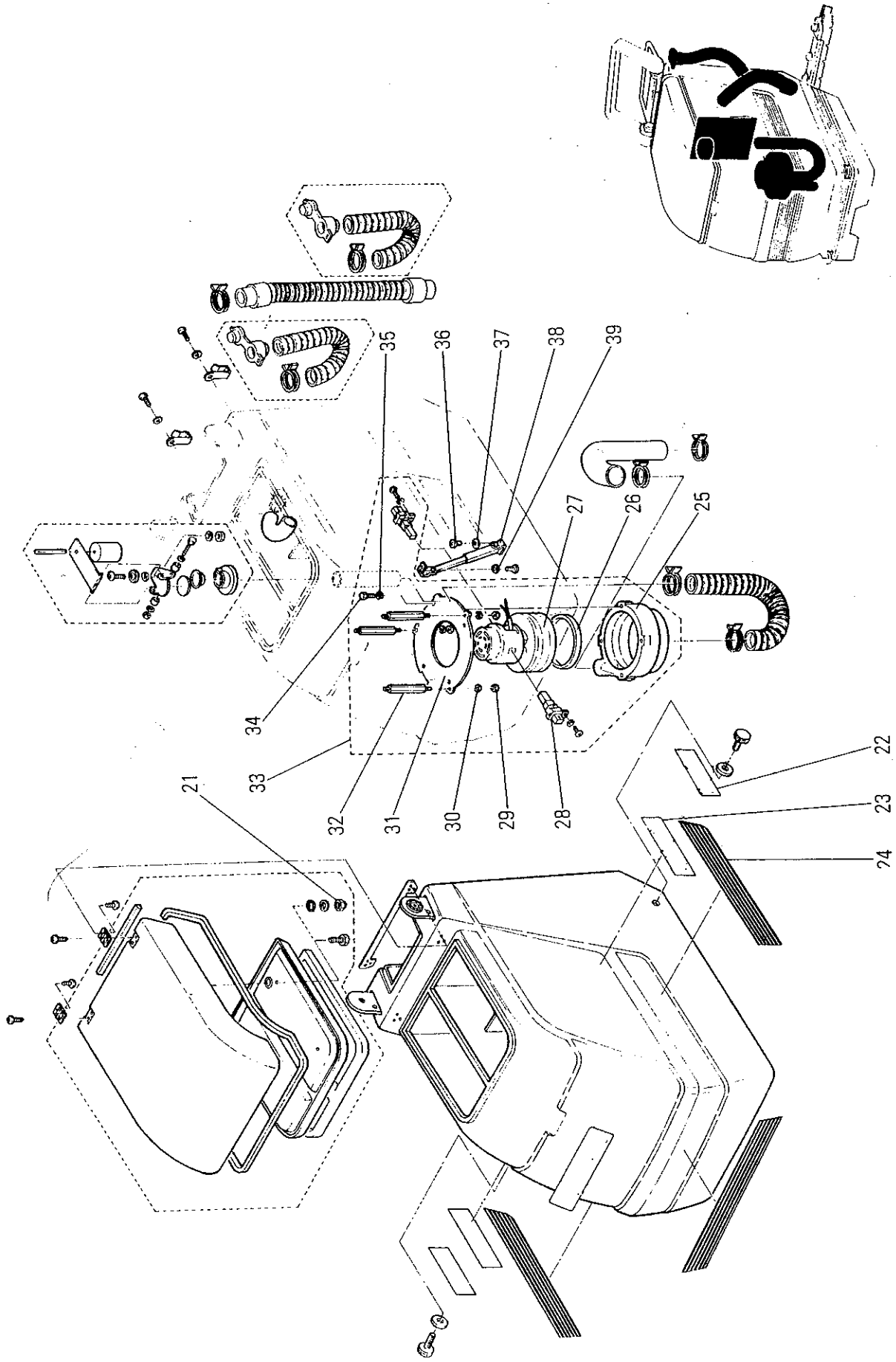


TANK BLOWER MOTOR SECTION

Key No.	Part No.	Qty	Description	Remarks	Reference
1	HAL-4140	1	Line seal (A)		
2	HAL-410050	1	Tank body asm.		
3	HAL-410150	1	Tank body asm. (oil resistant type)		
4	VF-2707	1	Brand mark		
	HAL-4142	1	Line seal (C)		
5	VK-1555	2	Seal washer		
6	HAL-4301	2	Case mounting bolt		
7	HAL-416270	1 set	Outer cover asm.		
	HAL-413070	1 set	Outer cover asm. (oil resistant type)		
8	HAL-4150	1	Cover packing		
9	HAL-7107	1	Cover packing (oil resistant type)		
	HAL-4168	1	Inner cover		
	HAL-4134	1	Inner cover (oil resistant type)		
10	HAL-4152	1	Cover gasket		
11	HAL-416350	1 set	Outer cover		
12	HAL-413050	1	Outer cover (oil resistant type)		
13	HAL-402050	2	Hinge asm.		
14	SWU-5014	6	Cross head screw		D=5mm, L=4mm
15	HAL-4153	1	Cover gasket (2)		
	SIU-5014	6	Cross head screw		D=5mm, L=14mm
16	HAL-4025	1	Hinge mounting plate		
17	HAL-4154	2	O ring		
18	IWU-6014	4	Cross head screw with washer		D=6mm, L=14mm
19	VK-1554	4	Seal washer		
20	HAL-4156	4	Washer		

TANK BLOWER MOTOR SECTION

Fig-2 C746HI-S01

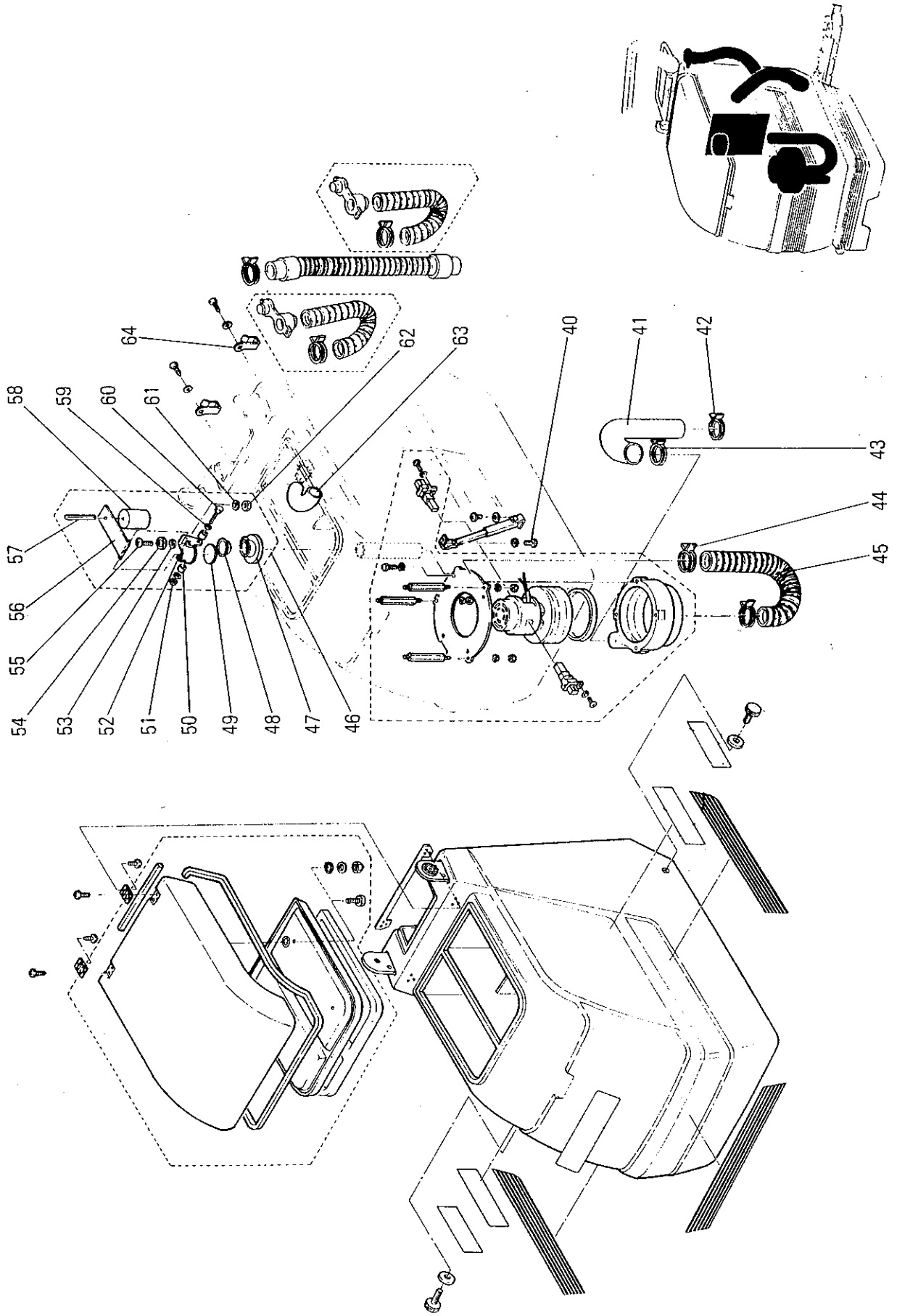


TANK BLOWER MOTOR SECTION

Key No.	Part No.	Qty	Description	Remarks	Reference
21	HAL-4157	4	Cap nut		
22	HAM-8000	1	Emblem - S-430		t=0.050mm
23	HAL-8000	1	Emblem - SE-430		t=0.050mm
24	HAL-4141	1	Line seal (B)		t=0.050mm
25	HAL-4065	1	Exhaust cover		
26	VK-1221	1	Packing		
27	HAB-706550	1	Blower (SE-430)		LAMB 116555-13-0
	HAB-7050	1	Blower (SE-430)		3F-388R
	HAM-4090	1	Blower (S-430)		3F-700R
	HAM-4091	1	Condenser (S-430)		NSF-4227
28	HAB-7069	2	Carbon brush (SE-430)		
	HAB-9101	2	Carbon brush (SE-43)		
	2	Carbon brush (S-430)		
29	VK-1535	3	Lock nut - M8		D=8mm, H=7.3mm
30	WDG-8016	3	Plain washer		D=8mm, L=16mm
31	HAL-4064	1	Blower support plate		
32	HAL-4063	3	Blower support		
33	HAL-406350	1 set	Blower asm. (SE-430)		
	4	Blower asm. (S-430)		
34	BAG-6018	4	Hex. bolt		D=6mm, L=18mm
35	WBB-6015	4	Spring washer		D=6mm, T=1.5mm
36	STG-5010	2	Cross head screw		D=5mm, L=10mm
37	WKB-5006	2	M5 toothed lock washer		
38	HAL-4026	1	One touch stay		
39	WKB-5006	2	M5 toothed lock washer		

TANK BLOWER MOTOR SECTION

Fig-3 C746HI-S01

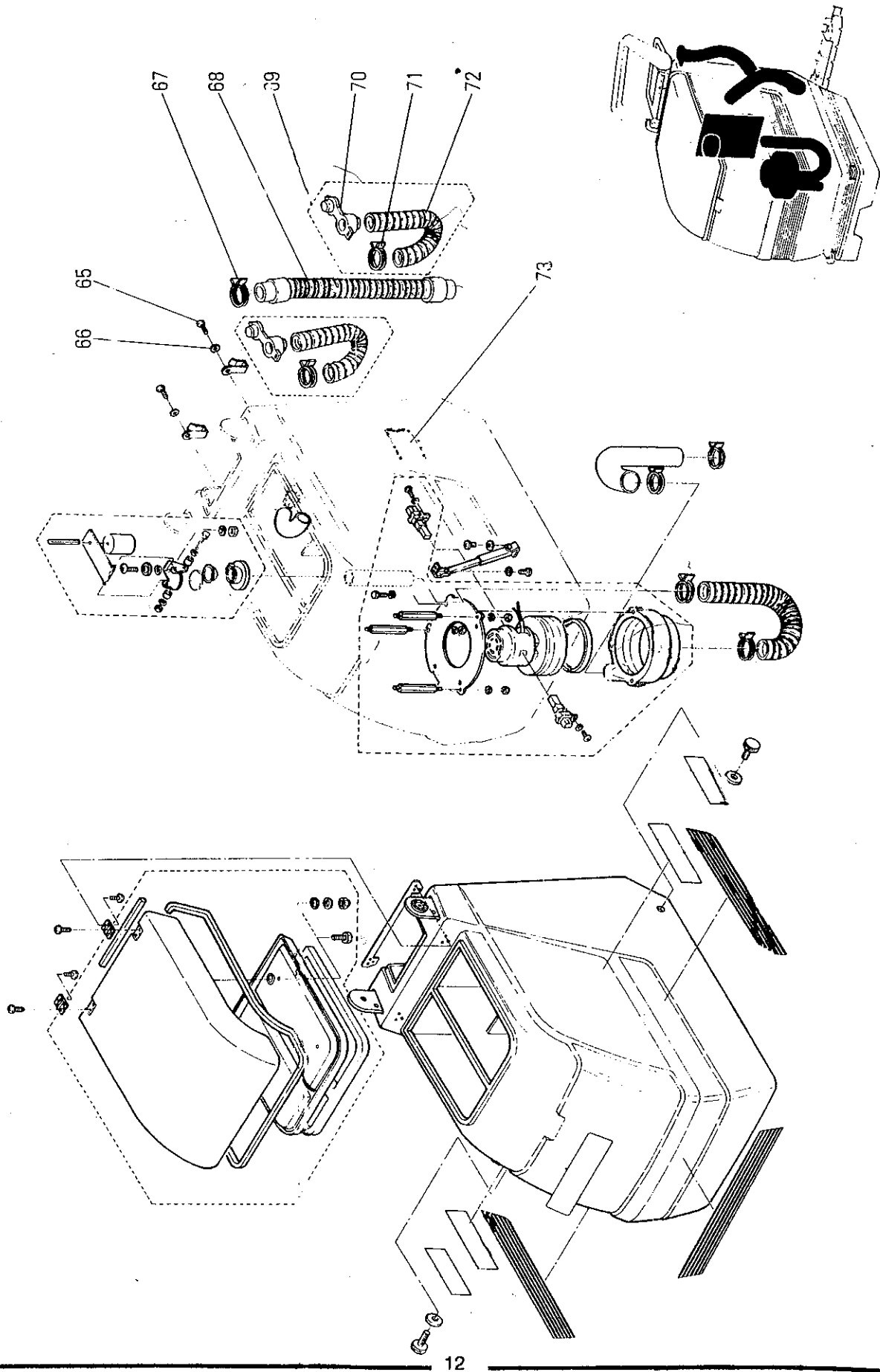


TANK BLOWER MOTOR SECTION

Key No.	Part No.	Qty	Description	Remarks	Reference
40	STG-5010	2	Cross head screw	D=5mm, L=10mm	
41	HAL-4080	1	Silencer hose		
42	CWF-9065	1	Hose band		
43	CWF-9050	1	Hose band		
44	HEC-4172	2	Hose band		
45	HAL-4070	1	Blower hose		
46	HAL-405250	1	Floating valve asm.		
47	HAL-4052	1	Float receiver		
48	HAL-4096	1	Strainer		
49	HAL-4056	1	Sheet		
50	HAL-4057	2	Collar	D=6mm, H=5mm	
51	NAG-6050	1	Hex. nut	D=5mm, T=1mm	
52	HAL-4054	1	Metal fitting		
53	WDG-5010	1	Plain washer		
54	HAL-4062	1	Magnet		
55	STG-3008	1	Cross head screw	D=3mm, L=8mm	
56	HAL-4053	1	Arm		
57	HAL-4095	1	Wire		
58	HAL-4058	1	Float	D=6mm, T=1mm	
59	WDG-6010	2	Plain washer		
60	BAG-6045	1	Hex. bolt	D=6mm, L=45mm	
61	WBB-3006	1	Spring washer	D=3mm, T=0.6mm	
62	NAG-3024	1	Hex. nut	D=3mm, H=2.4mm	
63	HAL-4094	1	Nozzle hose		
64	HAL-4160		Hose hook		CF. Fig-16. No. 33

TANK BLOWER MOTOR SECTION

Fig-4 C746HI-S01

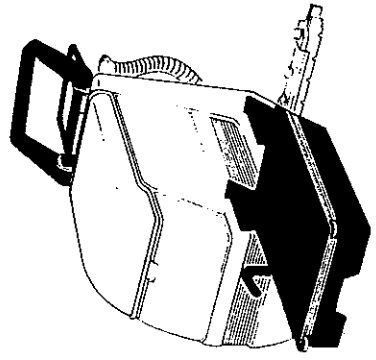
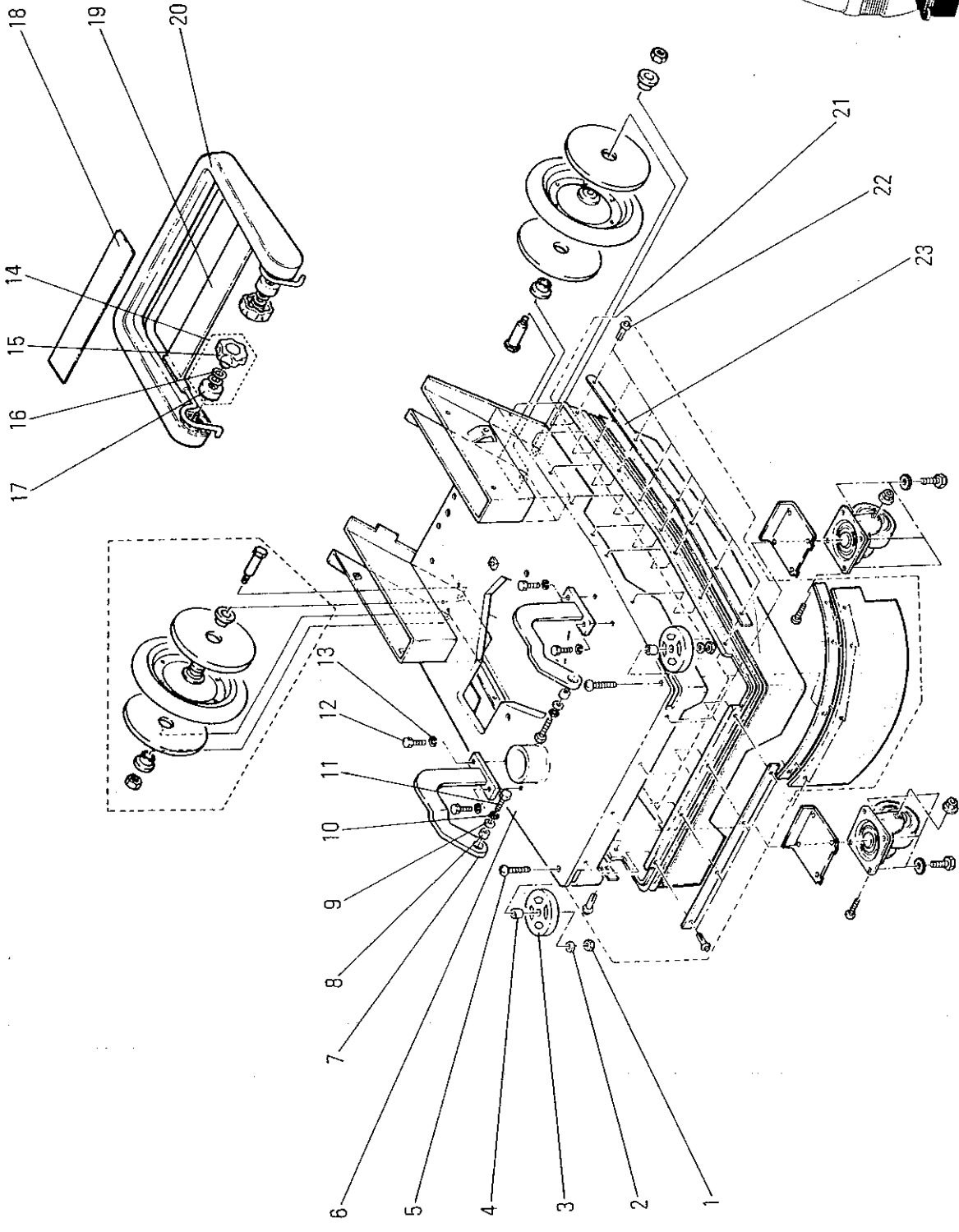


TANK BLOWER MOTOR SECTION

Key No.	Part No.	Qty	Description	Remarks	Reference
65	SWU-5020		Cross head screw		
66	HAA-2086	1	Rosette washer		
67	HEC-4172	1	Hose band		
68	HAL-4072	1	Hose (A)		
	HAL-7113	1	Hose (A) (oil resistant type)	D=5mm, L=20mm	
69	HAL-407350	2 sets	Drain hose asm.		
70	HAL-4074	2	Drain cap		
71	HAL-4079	2	Hose band		
72	HAL-4078	2	Drain hose (B)		
73	HAL-5627	1	Circuit name plate (SE-430)		
	HAM-5611	1	Circuit name plate (S-430)		

BASE HANDLE SECTION

Fig-5 C746HI-S02

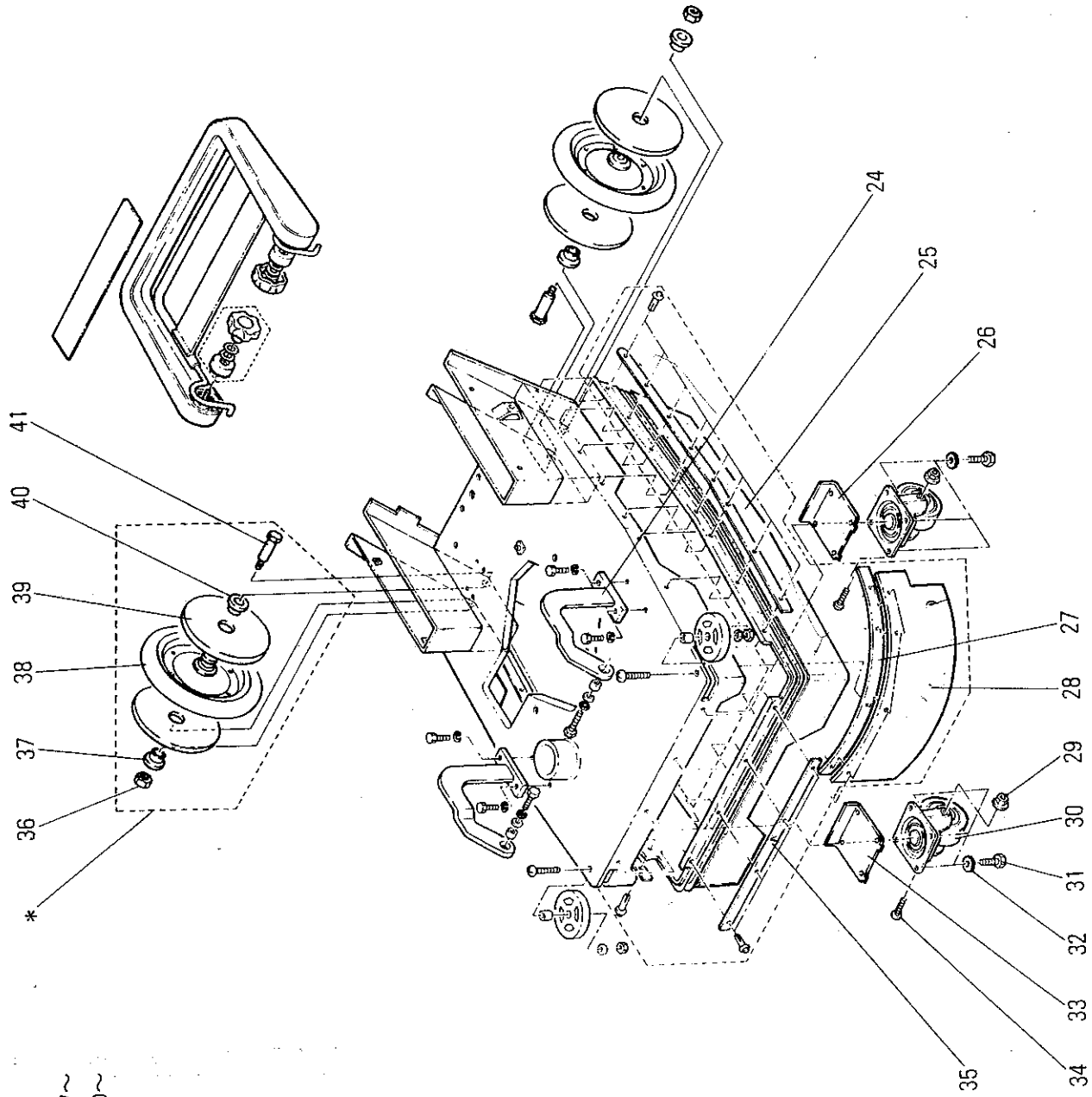


BASE HANDLE SECTION

Key No.	Part No.	Q'ty	Description	Remarks	Reference
1	VK-1535	2	Lock nut - M8	D=8mm, H=7.3mm	
2	WDG-8016	2	Plain washer	D=8mm, T=1.6mm	
3	HAL-1210	2	Roller		
	HAL-7103	2	Roller (oil resistant type)		
4	HAL-1211	2	Collar		
5	SIG-8025	2	Cross head screw	D=8mm, L=25mm	
6	HAL-100150	1	Chassis asm.		
7	HAL-1215	1	Yoke (A)		
8	HAL-1208	2	Spacer	D=8mm, T=1.6mm	
9	WDG-8016	4	Plain washer		
10	WKB-8008	8	M8 toothed lock washer	D=8mm, L=16mm	
11	BAG-8016	2	Hex. bolt	D=8mm, L=20mm	
12	BAG-8020	4	Hex. bolt	D=8mm, T= mm	
13	WBB-8020	4	Spring washer		
14	HAL-150450	2	Grip - 1 set		
15	HAL-1504	2	Grip		
16	HAL-1506	4	O ring		
17	HAL-1505	2	Collar		
18	HAL-8002	1	Caution name plate	Caution name plate (English)	
	HAL-801000	1	Caution name plate	Caution name plate (English)	
19	HAL-155050	1	Lever asm.		
20	HAL-150170	1	Handle asm		
21	HAL-110070	1	Rubber cover - 1 set		
22	HAL-1107	24	Nylon rivet		
23	HAL-1102	2	Cover retaining plate (B)		

BASE HANDLE SECTION

Fig-6 C746HI-S02



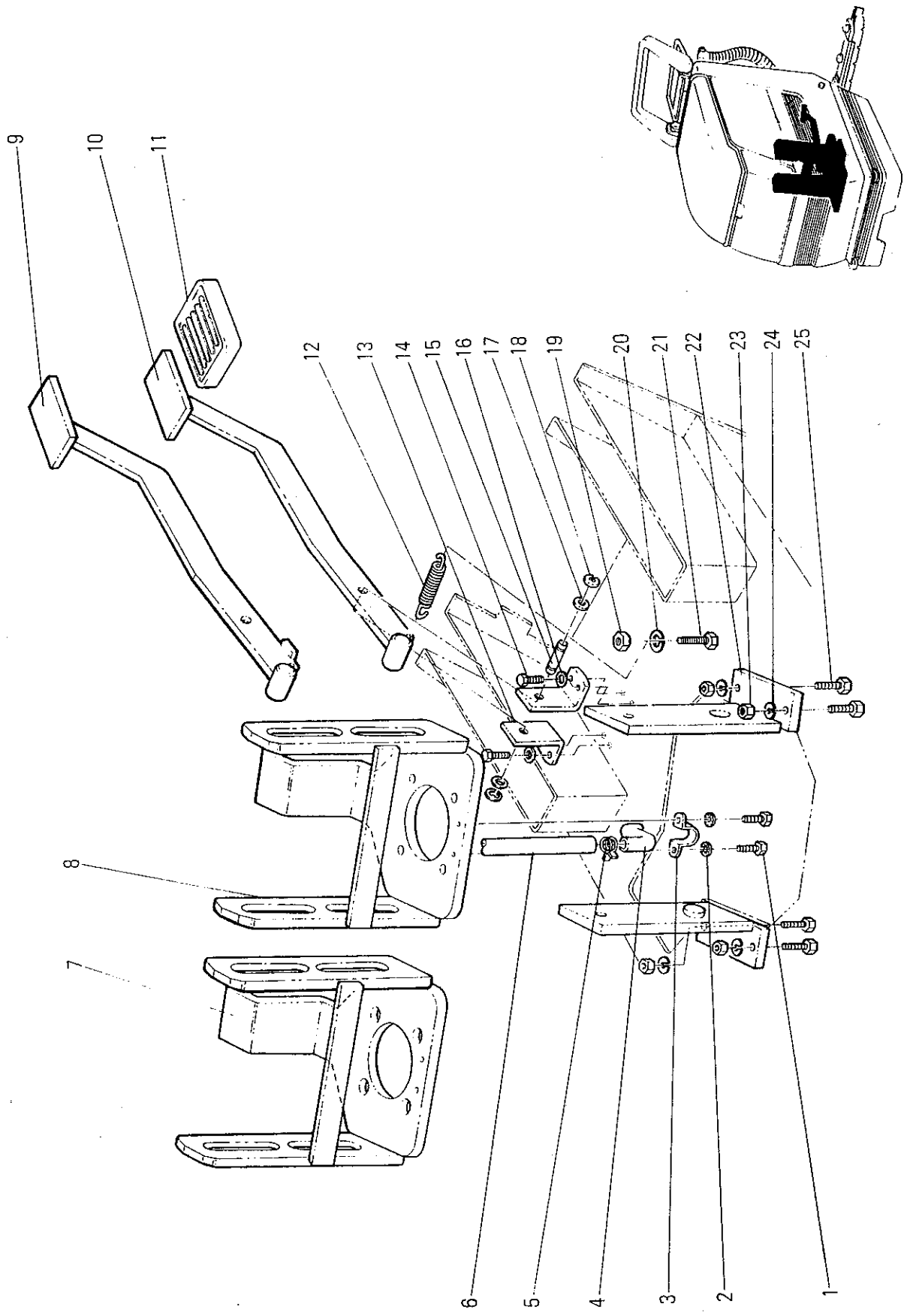
* S-430#1827~
SE-430.....#5180~

BASE HANDLE SECTION

Key No.	Part No.	Q'ty	Description	Remarks	Reference
24	HAL-1216	1	Yoke (B)		
25	HAL-1100	1	Rubber cover		
26	HAL-1109	1	Caster mounting plate (L)		
27	HAL-1105	1	Retaining plate		
28	HAL-1104	1	Brush cover		
29	HAL-7100	1	Brush cover (oil resistant type)		
30	2	Hex. nut		
31	HAL-1200	2	Caster		
32	BAG-8016	8	Hex. bolt	D=8mm, L=16mm	
	WKB-8025	8	M8 toothed lock washer		
33	HAL-1108	1	Caster mounting plate (R)		
34	2	Cross head screw		
35	HAL-1101	1	Retaining plate (A)		
36	VK-1535	2	Lock nut - M8	D=8mm, H=7.3mm	
37	HAL-1221	2	Wheel collar		
38	HAL-1220	2	Wheel	φ150mm	
39	4	Wheel cover		
40	HAL-1222	2	Wheel spacer		
41	BGJ-8070	2	Hex. socket head bolt - M8	D=8mm, L=70mm	

MOTOR BRACKET SECTION

Fig-7 C746HI-S03

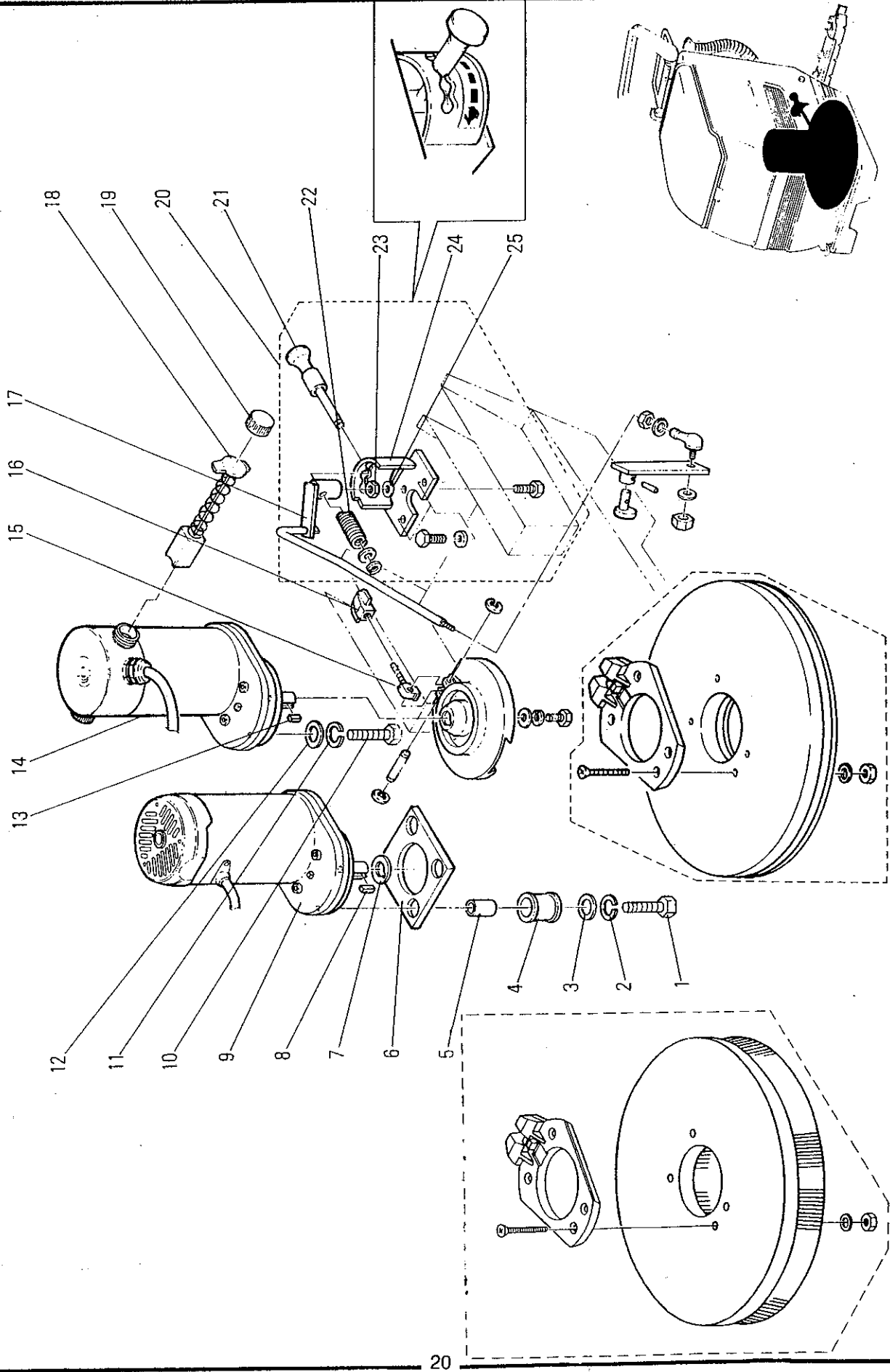


MOTOR BRACKET SECTION

Key No.	Part No.	Q'ty	Description	Remarks	Reference
1	BAG-5010	2	Hex. bolt	D=5mm, L=10mm	
2	WBB-5013	2	Spring washer		
3	VK-1011	1	Saddle		
4	C-2520	1	Tube		
5	HAL-3005	1	Hose clamp		
6	HAL-3004	1	Vinyl tube - clear		
7	HAM-250550	1	Mount bracket asm.		
8	HAL-250550	1	Mount bracket asm.		
9	HAM-251050	1	Pedal asm.		
10	HAL-251050	1	Pedal asm.		
11	HAG-3095	1	Pedal cover		
12	HAL-2517	1	Spring		
13	HAL-2515	2	Angle		
14	BAG-6020	4	Hex. bolt	D=6mm, L=20mm	
15	HAL-2516	1	Pin		
16	WDG-6010	4	Plain washer	D=6mm, T=1mm	
17	WQG-1020	2	Plain washer	D=10mm, T=2mm	
18	CAB-9008	2	E-ring	D=6mm, H=5.3mm	
19	VK-1534	1	Lock nut - M8	D=6mm, T=1.6mm	
20	WBB-6016	4	Spring washer		
21	BAG-6035	1	Hex. bolt	D=6mm, L=35mm	
22	HAL-250150	2	Bracket asm.	D=10mm, H=8mm	
23	NDG-1080	4	Hex. nut	D=10mm, T=2.5mm	
24	WPB-1025	4	Spring washer	D=10mm, L=25mm	
25	BAG-1025	4	Hex. bolt		

BRUSH MOTOR SECTION

Fig-8 C746HI-S04

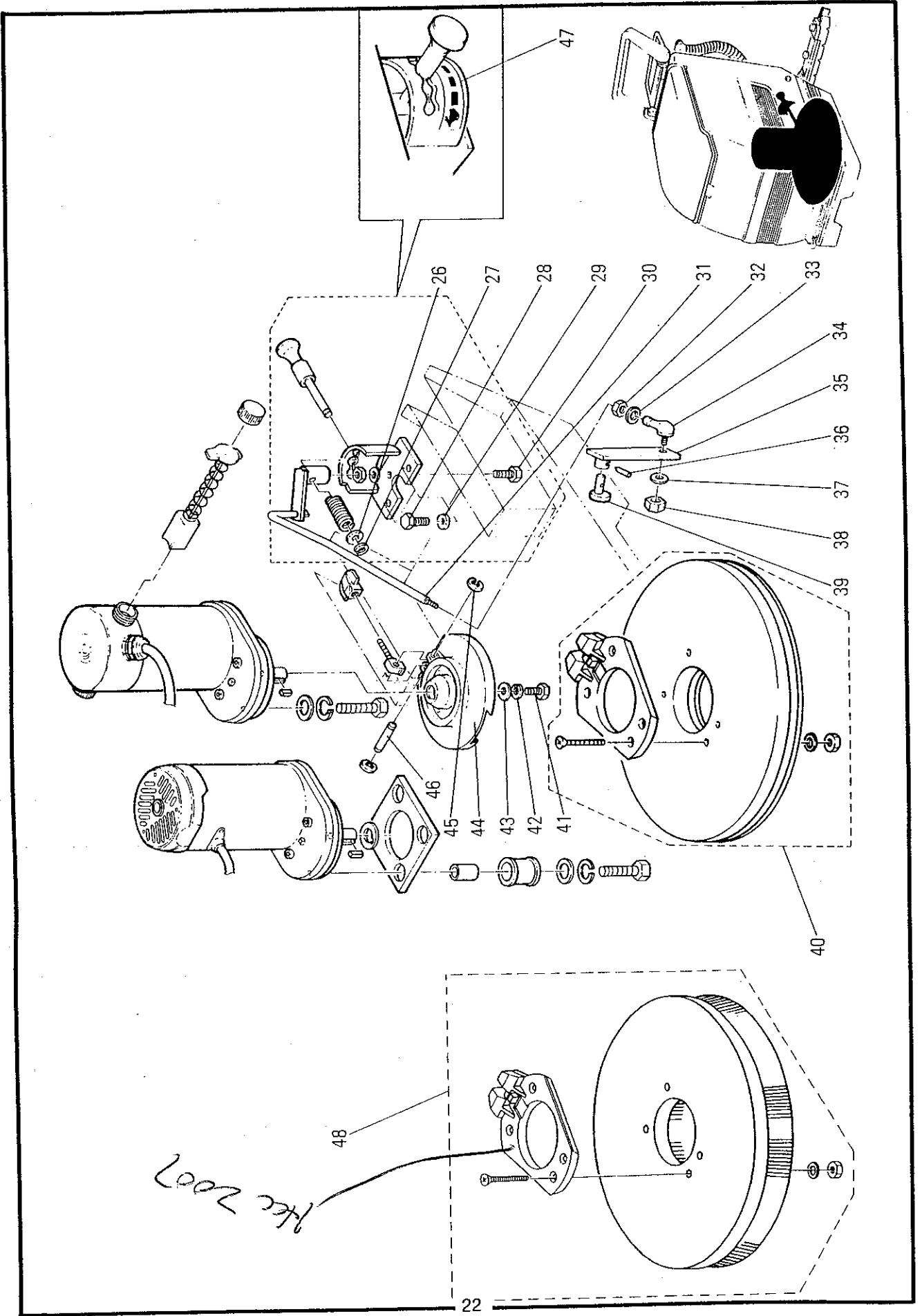


BRUSH MOTOR SECTION

Key No.	Part No.	Q'ty	Description	Remarks	Reference
1	OBG-8020	4	Hex. bolt	D=8mm, L=20mm	
2	WBB-8020	4	Spring washer	D=8mm, T=2mm	
3	WDG-8016	4	Plain washer	D=8mm, T=1.6mm	
4	HAM-2531	4	Grommet		
5	HAM-2532	4	Spacer		
6	HAM-2530	1	Packing		
7	HAM-2011	1	Shaft spacer		
8	1	Motor key accessory		
9	HAM-2010	1	Geared motor		
10	OBG-8020	4	Hex. bolt	D=8mm, L=20mm	
11	WBB-8020	4	Spring washer	D=8mm, T=2mm	
12	WDG-8016	4	Plain washer	D=8mm, T=1.6mm	
13	1	Motor key accessory		
14	HAL-2010	1	Geared motor		
15	HAL-2025	1	Claw		
16	HAL-2008	1	Lock nut		
17	HAL-206150	1	Lever (B) asm.		
18	HAL-7205	2	Carbon brush		
19	2	Motor accessory		
20	HAL-206170	1	Lever asm.		
21	HAL-206450	1	Knob asm.		
22	HAL-2065	1	Spring		
23	NHG-1006	1	Hex. nut	D=10mm, H=6mm	
24	HAL-206850	1	Bracket asm.		
25	WDG-1016	1	Plain washer	D=10mm, T=1.6mm	

BRUSH MOTOR SECTION

Fig-9 C746HI-S04

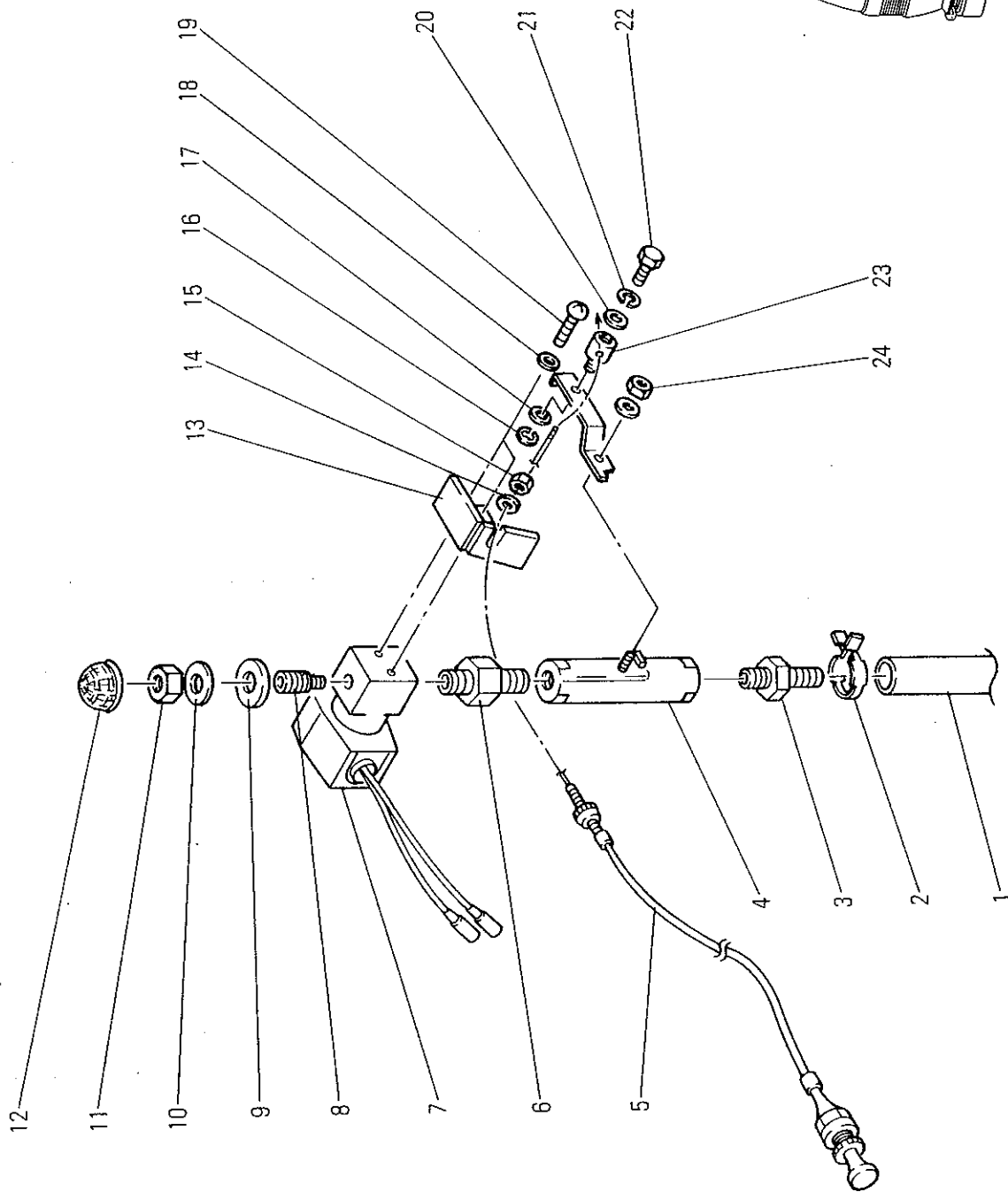


BRUSH MOTOR SECTION

Key No.	Part No.	Q'ty	Description	Remarks	Reference
26	WDG-8016	1	Plain washer		
27	CAB-7008	1	E-ring		D=8mm, T=1.6mm
28	BAG-8020	2	Hex. bolt		D=8mm, L=20mm
29	WDG-8016	2	Plain washer		D=8mm, T=1.6mm
30	BBG-1025	1	Hex. bolt		D=10mm, L=25mm
31	HAL-2057	1	Rod		D=6mm, H=5mm
32	NAG-6050	1	Hex. nut		D=6mm, T=1mm
33	WDG-8016	1	Plain washer		
34	HAL-2056	1	Ring ball		
35	HAL-2053	1	Lever (A) asm.		
36	PGU-4022	1	Roll pin		
37	WDG-6010	1	Plain washer		D=6mm, T=1mm
38	VK-1534	1	Lock nut - M6		D=6mm, H=5.3mm
39	HAL-205350	1	Connecting piece asm.		
40	HAL-201150	1 set	Pad holder asm.		
41	1	Motor accessory		
42	1	Motor accessory		
43	1	Motor accessory		
44	HAL-2003	1	Brush catch		
45	CEB-4807	2	E-ring		
46	HAL-2006	1	Pin		
47	HAL-8001	1	Rabbit - Turtle name plate		
48	HAL-8011	1 set	H.M.C. plate Brush asm.		CF. Fig-24

WATER SUPPLY SECTION

Fig-10 C746HI-S05

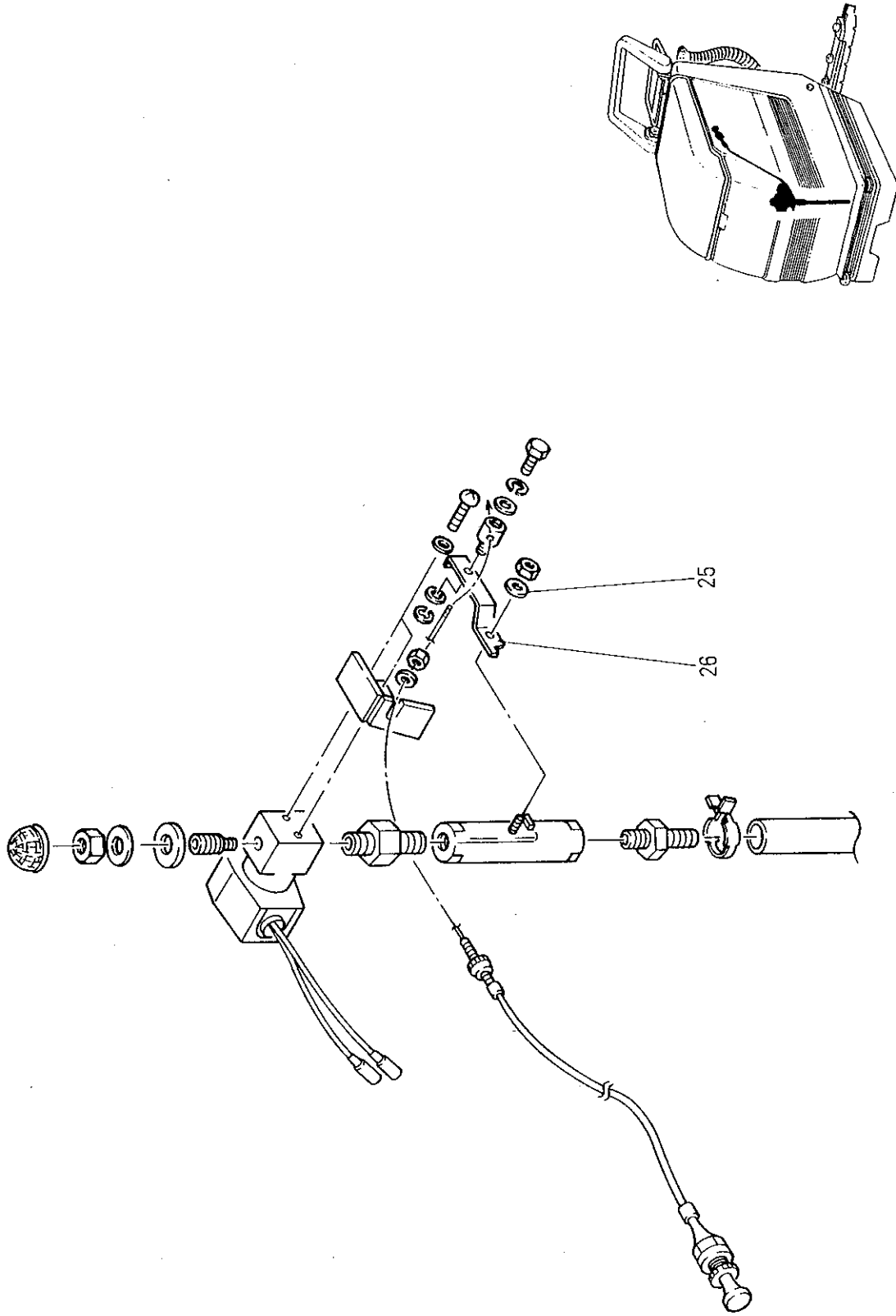


WATER SUPPLY SECTION

Key No.	Part No.	Q'ty	Description	Remarks	Reference
1	HAL-3004	1	Vinyl tube - clear		
2	HAL-3005	1	Hose clamp		
3	HEA-2017	1	Hose nipple		
4	HAL-3020	1	Ball valve		
5	HAL-3017	1	Control wire		
6	GWZ-0302	1	Bushing	DC24V	
7	HAL-3002	1	Solenoid valve		
8	HAM-3002	1	Solenoid valve		
9	HAL-3011	1	Joint	D=14mm, T=2.5mm	
	WQG-1425	1	Plain washer		
10	HAL-3010	1	Packing		
11	HAL-3013	1	Hex. nut	M12 BSBM	
12	HAL-4096	1	Strainer		
13	HAL-3019	1	Wire holder		
14	1	Control wire accessory		
15	1	Control wire accessory		
16	CAB-4006	1	E-ring	D=4mm, T=0.5mm	
17	WDG-4005	1	Plain washer	D=5mm, L=12mm	
18	WKB-5006	2	M5 toothed lock washer		
19	STG-5012	2	Cross head screw		
20	WDG-4005	1	Plain washer	D=4mm, T=0.5mm	
21	NBB-4008	1	Spring washer	D=4mm, T=0.8mm	
22	1	Hex. bolt	D=4mm, L=10mm	
23	1	Control wire accessory		
24	1	Ball valve accessory		

WATER SUPPLY SECTION

Fig-11 C746HI-S05



WATER SUPPLY SECTION

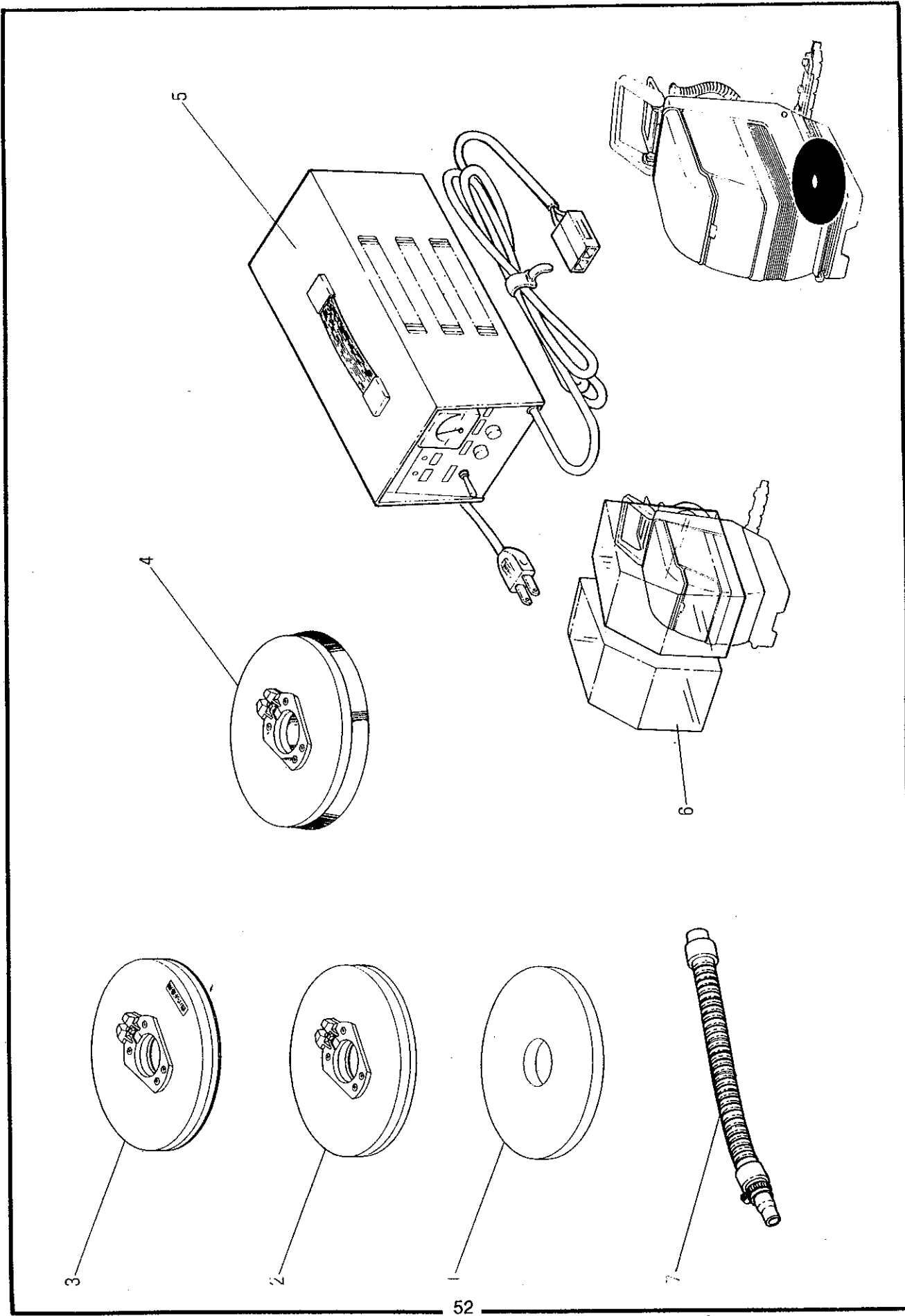
Key No.	Part No.	Q'ty	Description	Remarks	Reference
25	1	Ball valve accessory		
26	1	Ball valve accessory		

OPTIONAL PARTS

Key No.	Part No.	Q'ty	Description	Remarks	Reference
1	HAL-7004	1	Pad (brown)		
	HAL-7005	1	Pad (black)		
	HAL-7008	1	Pad (red)		
	HAL-7009	1	Pad (white)		
	HAL-7010	1	Pad (green)		
2 3 4	HAL-7011	1	Pad (blue)		
	HAL-7012	1	Pad (yellow)		
	HAL-201170	1	Pad stand asm.		
	HED-800170	1	Pad base asm. for white pad		
5	HAL-2001	1	Brush asm. (nylon)		
	HAL-7006	1	Brush asm. (natural plant fibers)		
	HAL-7007	1	Brush asm. (nylon)		
	HAL-7020	1	Brush asm. (alumi-grid #320)		
	HAL-75001	1	Charger (SE-430)		
	(HAL-7506)	1	Front panel sheet for charger		
6 7	(HAL-8010)	1	Front panel sheet for charger (English)		
	HAL-7210	1	Body cover		
	HAL-7211	1	Body cover (transparent)		
	HAL-7212	1	Body cover (thick)		
	HAL-722150	1	Drain extension hose asm.		

OPTIONAL PARTS

Fig-24 C746HI-S11

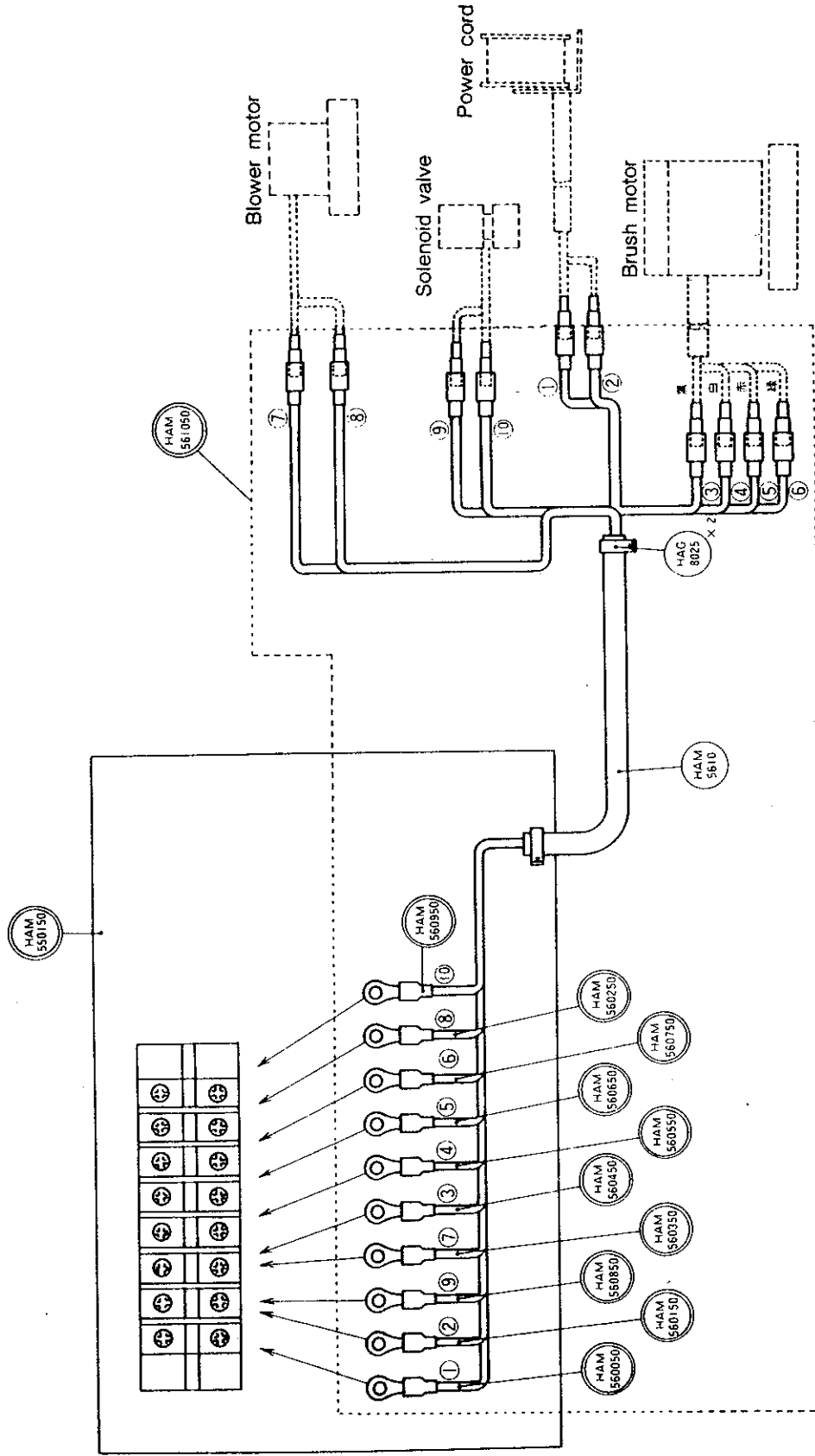


WIRING ASSEMBLY

Key No.	Part No.	Q'ty	Description	Remarks	Reference
	HAM-550150	1	Console box asm.		
	HAM-560050	1	Power cord asm. (A)		
	HAM-560150	1	Power cord asm. (B)		
	HAM-560250	1	Blower motor cord asm. (A)		
	HAM-560350	1	Blower motor cord asm. (B)		
	HAM-560450	1	Brush motor cord asm. (A)		
	HAM-560660	1	Brush motor cord asm. (B)		
	HAM-560650	1	Brush motor cord asm. (C)		
	HAM-560750	1	Brush motor cord asm. (D)		
	HAM-560850	1	Solenoid valve cord asm. (A)		
	HAM-560950	1	Solenoid valve cord asm. (B)		
	HAM-5610	1	Zipper tube		
	HAG-8025	2	Cord clamp (short)		
	HAM-561050	1	Wiring power cord asm.		

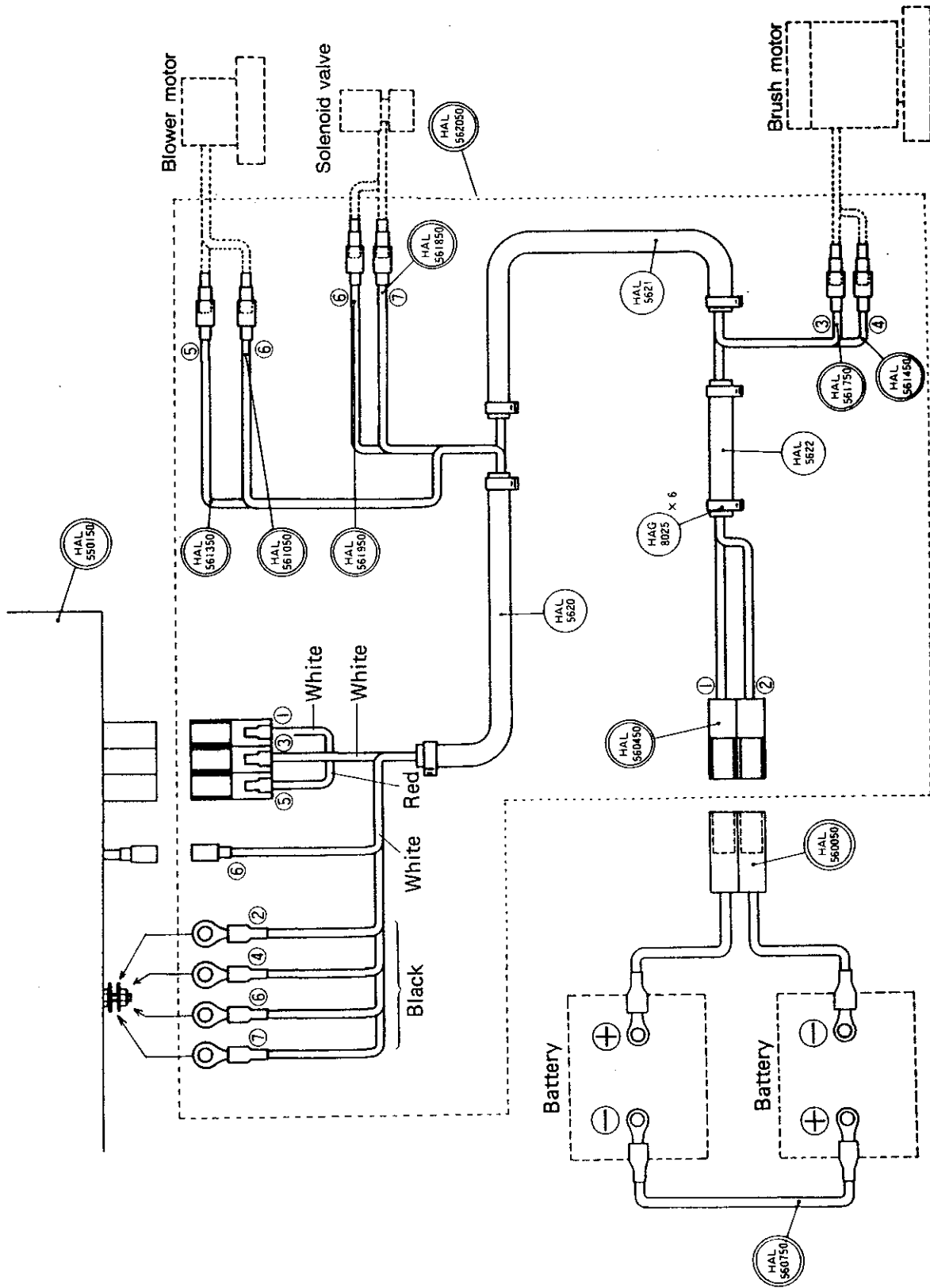
WIRING ASSEMBLY

Fig-23 C746HI-S10



WIRING ASSEMBLY

Key No.	Part No.	Q'ty	Description	Remarks	Reference
	HAL-550150	1	Console box asm.		
	HAL-560050	1	Battery cord asm. (A)		
	HAL-560450	1	Battery cord asm. (B)		
	HAL-560750	1	Battery cord asm. (C)		
	HAL-561050	1	Blower motor cord asm. (A)		
	HAL-561350	1	Blower motor cord asm. (B)		
	HAL-561450	1	Brush motor cord asm. (A)		
	HAL-561750	1	Brush motor cord asm. (B)		
	HAL-561850	1	Solenoid valve cord asm. (A)		
	HAL-561950	1	Solenoid valve cord asm. (B)		
	HAL-5620	1	Zipper tube		
	HAL-5621	1	Zipper tube		
	HAL-5622	2	Zipper tube		
	HAG-8025	6	Cord clamp (short)		
	HAL-562050	1	Wiring power cord asm.		

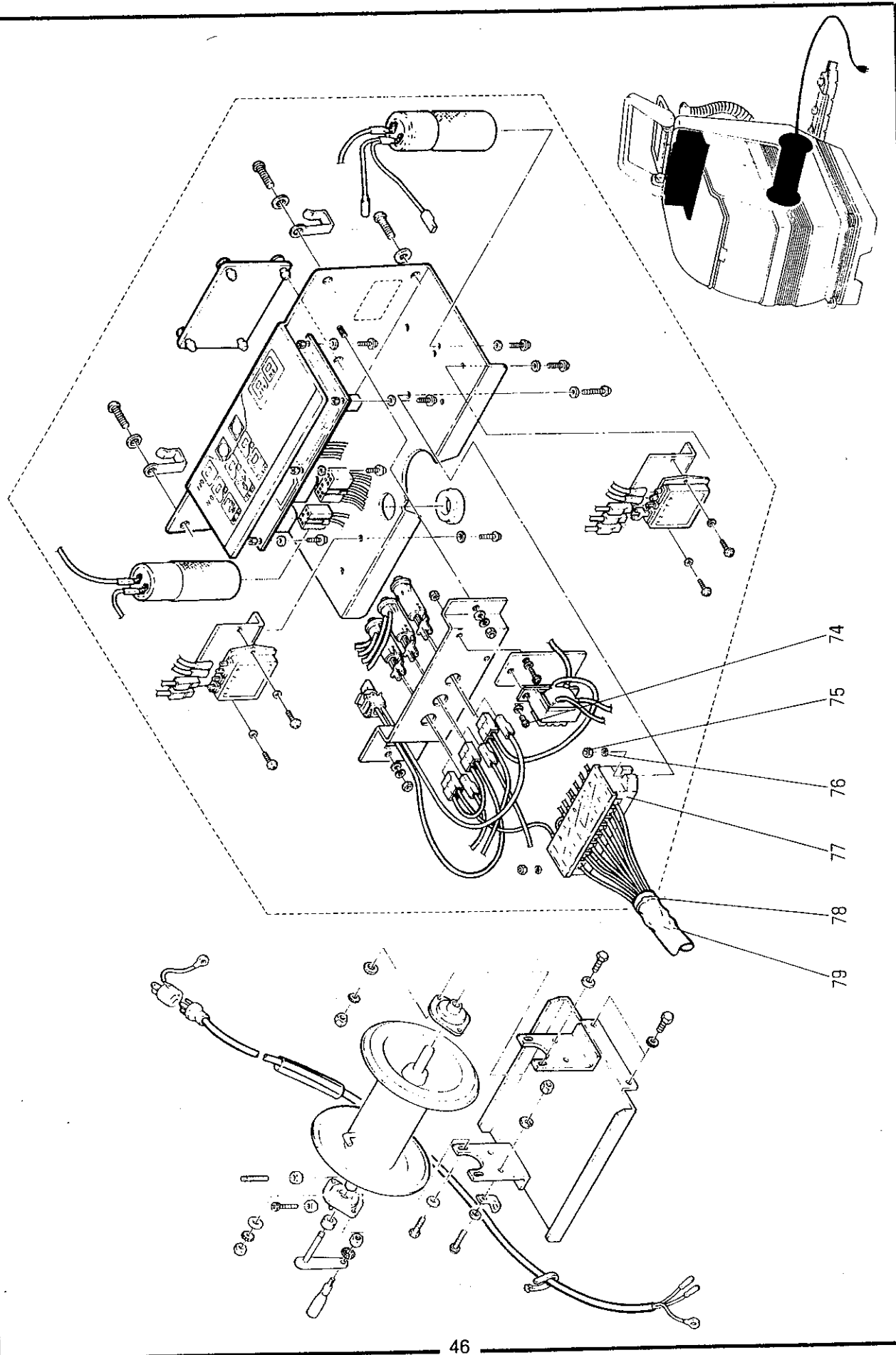


ELECTRICAL SECTION

Key No.	Part No.	Q'ty	Description	Remarks	Reference
74	SUG-4008	2	Cross head screw	D=4mm, L=8mm	
75	NAG-4032	2	Hex. nut	D=4mm, H=3.2mm	
76	WDG-4006	2	Plain washer	D=4mm, T=0.6mm	
77	VK-1466	1	Terminal block		
78	VK-1151	15	Binding band		
79	1	S-430 wiring asm.		

ELECTRICAL SECTION

Fig-21 C746HI-S08

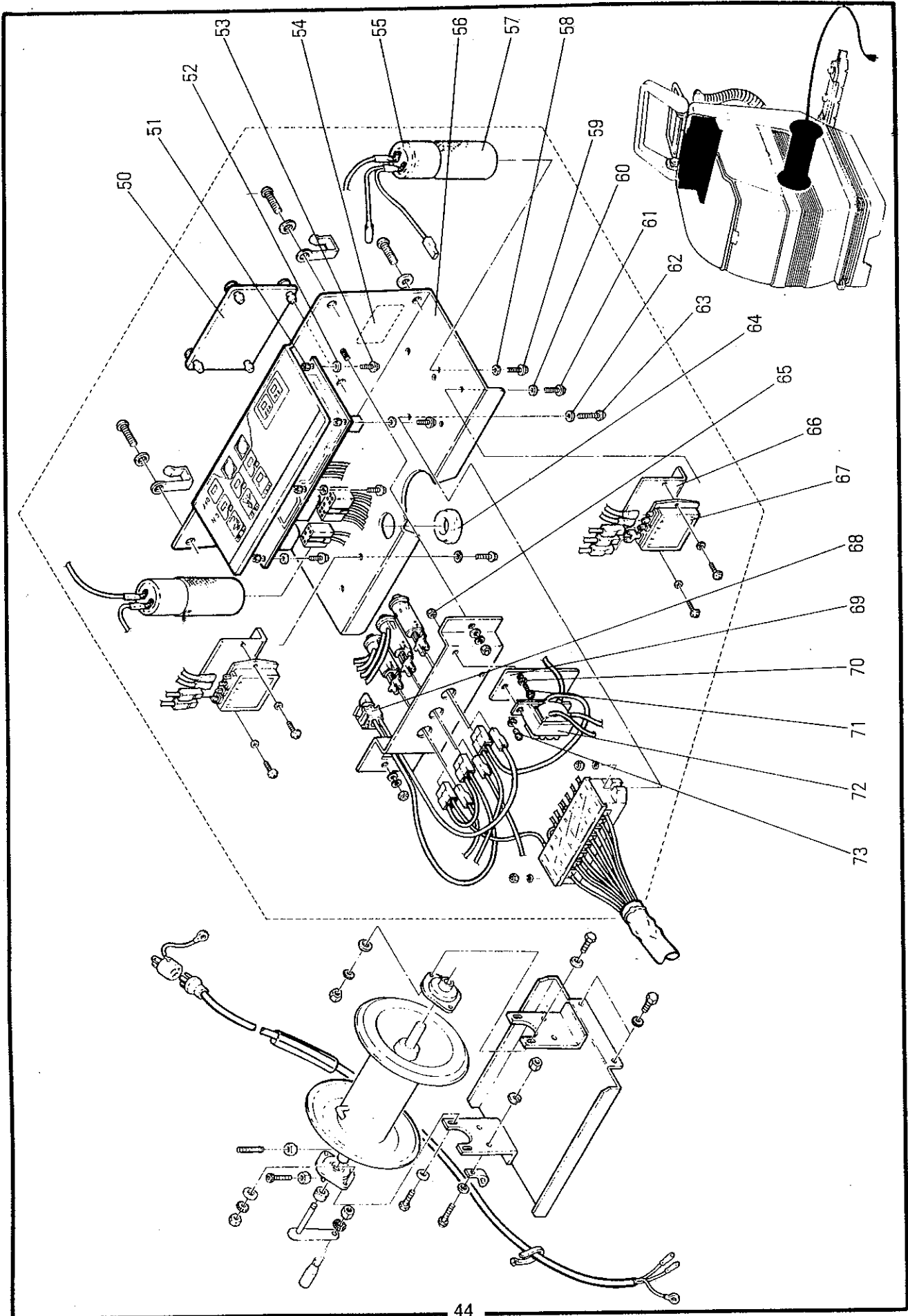


ELECTRICAL SECTION

Key No.	Part No.	Q'ty	Description	Remarks	Reference
50	HAL-5505	1	Protector cover		
51	HAL-5528	6	Spacer		
52	WDG-3005	6	Plain washer		
53	SUG-3006	6	Cross head screw		D=3mm, T=0.5mm D=6mm, L=6mm
54	VF-2733	1	Serial number seal		
55	C-3007	1	Serial number seal (English)		
56	HAM-551350	1	Condenser holder (A) asm		
57	HAM-550150	1	Console box asm.		
58	HAM-5511	2	Condenser holder		D=3mm, T=0.5mm
	WDG-3005	2	Plain washer		
59	SUG-3006	2	Cross head screw		D=3mm, L=6mm
60	WDG-3005	4	Plain washer		D=3mm, T=0.5mm
61	SUG-3006	4	Cross head screw		D=3mm, L=6mm
62	WDG-4006	2	Plain washer		D=4mm, T=0.6mm
63	SUG-4010	2	Cross head screw		D=4mm, L=10mm
64	VK-1126	1	Grommet with film		
65	NAG-4032	2	Hex. nut		D=4mm, H=3.2mm
66	HAM-5538	2	SSR mounting plate		
67	HAM-5507	1	SSR (solid state relay)		
68	HAM-551550	1	Switch cord asm.		
69	HAM-5539	1	Transformer mounting plate		
70	WDG-4006	2	Plain washer		D=4mm, T=0.6mm
71	SUG-4008	2	Cross head screw		D=4mm, L=8mm
72	HAM-551850	1	Transformer asm.		
73	WDG-4006	2	Plain washer		D=4mm, T=0.6mm

ELECTRICAL SECTION

Fig-20 C746HI-S08

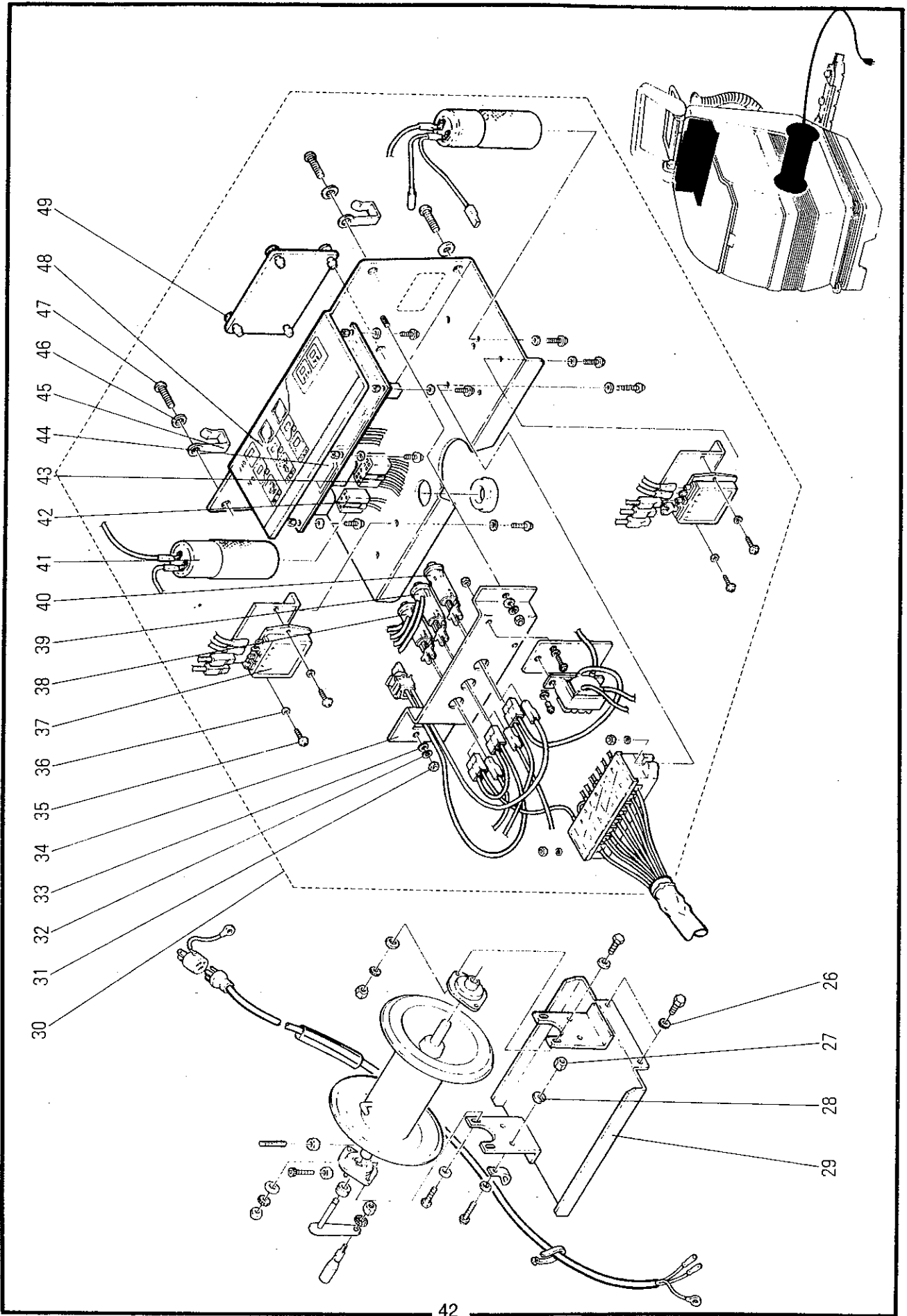


ELECTRICAL SECTION

Key No.	Part No.	Q'ty	Description	Remarks	Reference
26	WKB-6007	4	M6 toothed lock washer	D=4mm, H=3.2mm	
27	NAG-4032	2	Hex. nut	D=4mm, T=1.2mm	
28	WBB-4012	2	Spring washer		
29	HAM-6011	1	Plate		
30	HAM-550170	1	Console box asm.		
31	NAG-4032	3	Hex. nut	D=4mm, H=3.2mm	
32	WBB-4010	3	Spring washer	D=4mm, T=1mm	
33	WDG-4008	3	Plain washer	D=4mm, T=0.8mm	
34	HAM-5504	1	Mounting plate		
35	IWB-4008	2	Cross head screw with spring washer	D=4mm, L=8mm	
36	WDG-4006	2	Plain washer	D=4mm, T=0.6mm	
37	HAM-5507	1	SSR (solid state relay)		
38	HAM-5508	1	Circuit protector	15A	
39	HAM-5509	2	Circuit protector	10A	
40	HAM-5510	1	Circuit protector	3A	
41	HAM-551450	1	Condenser (B) asm.		
42	HAM-551650	1	Connector cord (1) asm.		
43	HAM-551750	1	Connector cord (2) asm.		
44	DEH-1009	1	SRC-1 circuit board	HAL 55907	
45	HAL-4160	2	Hose hook		
46	HAA-2086	4	Rosette washer		
47	SWU-5016	4	Cross head screw	D=5mm, L=16mm	
48	HAM-5537	1	Panel sheet		
49	HAL-5542	1	Panel sheet (English)		
	HAL-5506	4	Plastic rivet		

ELECTRICAL SECTION

Fig-19 C746HI-S08

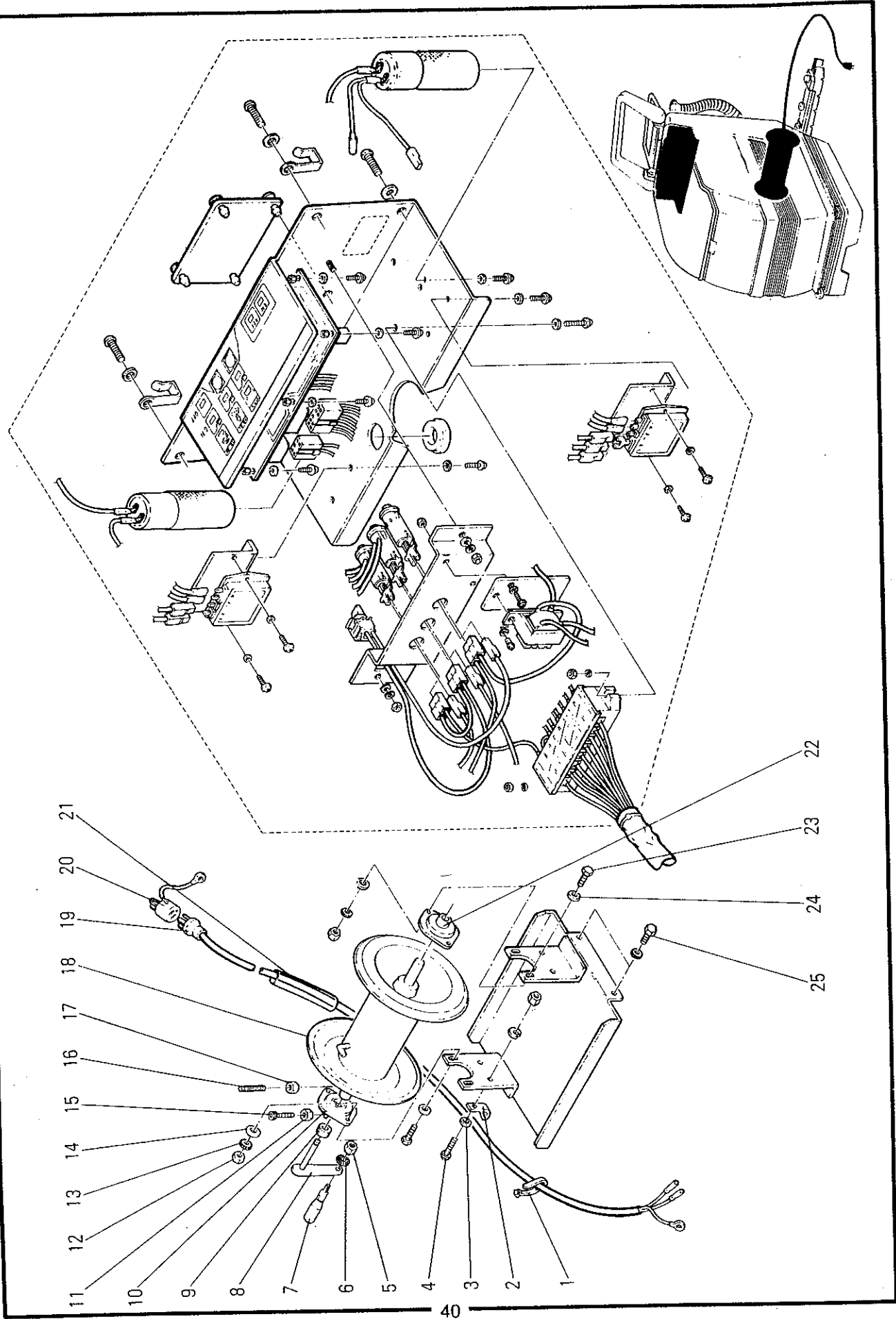


ELECTRICAL SECTION

Key No.	Part No.	Qty	Description	Remarks	Reference
1	VK-1154	1	Binding band		
2	VK-1186	2	Nylon clamp		
3	WDG-8016	2	Plain washer		D=8mm, T=1.6mm
4	SUG-4008	2	Cross head screw		D=4mm, L=8mm
5	NCG-8050	1	Hex. nut		D=8mm, H=5mm
6	WKB-8008	1	M8 toothed lock washer		
7	HAM-6016	1	Grip		
8	HAM-601450	1	Handle asm.		
9	HAM-6019	1	Grommet		
10	HAM-6009	1	Bearing		
11	NAG-5040	1	Hex. nut		D=5mm, H=4mm
12	NAG-8065	4	Hex. nut		D=8mm, H=6.5mm
13	WKB-8008	4	M8 toothed lock washer		D=8mm, T=1.6mm
14	WBD-8015	4	Plain washer		D=5mm, L=15mm
15	BAG-5015	1	Hex. bolt		
16	HAM-6008	1	Spring plunger		
17	NAG-5040	1	Hex. nut		D=5mm, H=4mm
18	HAM-600150	1	Drum asm.		
19	HAM-570150	1	Power cord asm.		
20	HAM-5710	1	Connecting adapter		
21	HAM-5711	1	Tube		
22	HAM-6009	1	Bearing		
23	BAG-8020	4	Hex. bolt		D=6mm, L=20mm
24	WDG-8016	4	Plain washer		D=8mm, T=1.6mm
25	BAG-6012	4	Hex. bolt		D=6mm, L=12mm

ELECTRICAL SECTION

Fig-18 C746HI-S08

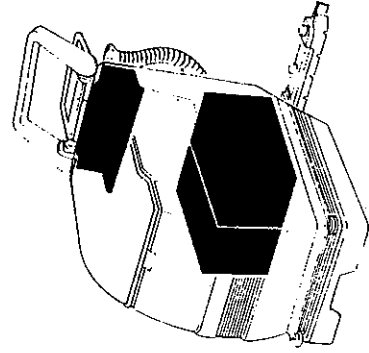
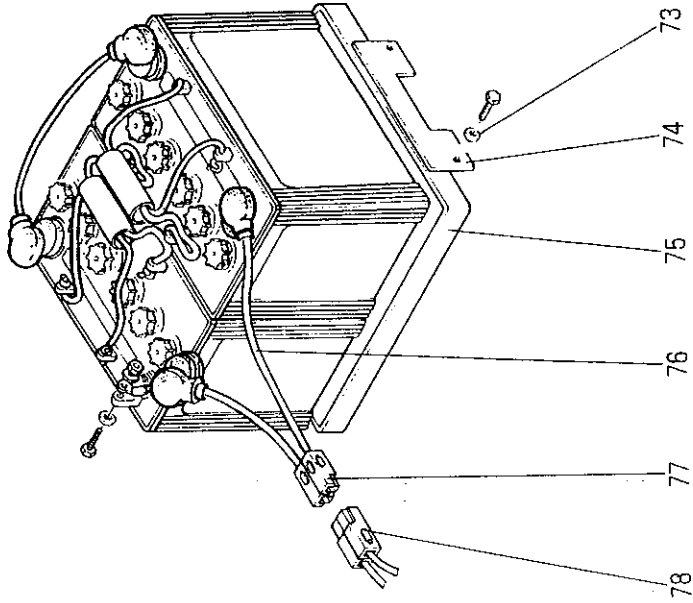
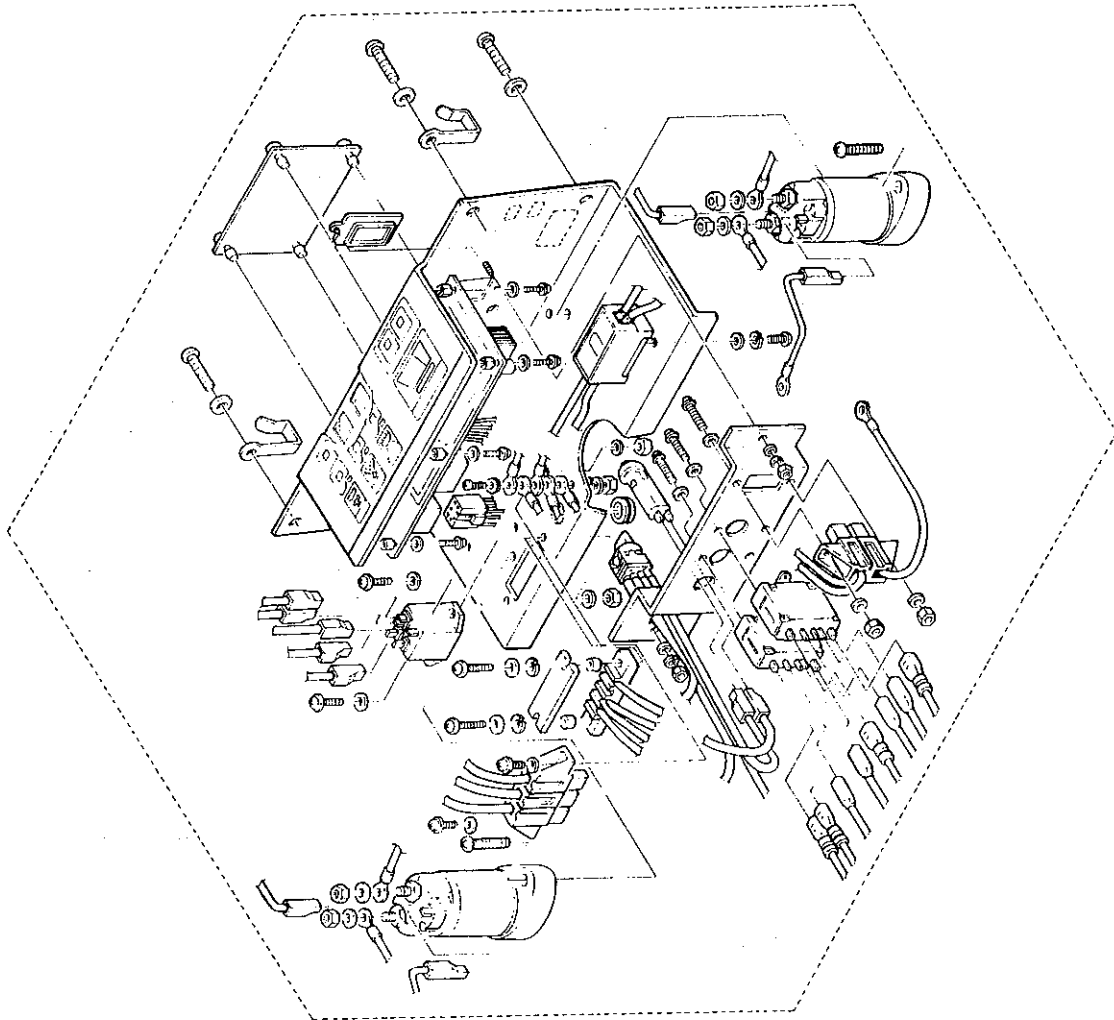


ELECTRICAL SECTION

Key No.	Part No.	Q'ty	Description	Remarks	Reference
73	WKB-6007	4	M6 toothed lock washer		
74	HAL-5002	2	Plate	T=1.6mm	
75	HAL-500150	1	Battery tray		
76	HAL-5005	1	Battery cord asm. (A)		
77	HAB-8026	2	Connector		
78	HAL-560450		Battery cord asm. (B)	<i>new mault</i>	

Fig-17 C746HI-S07

ELECTRICAL SECTION

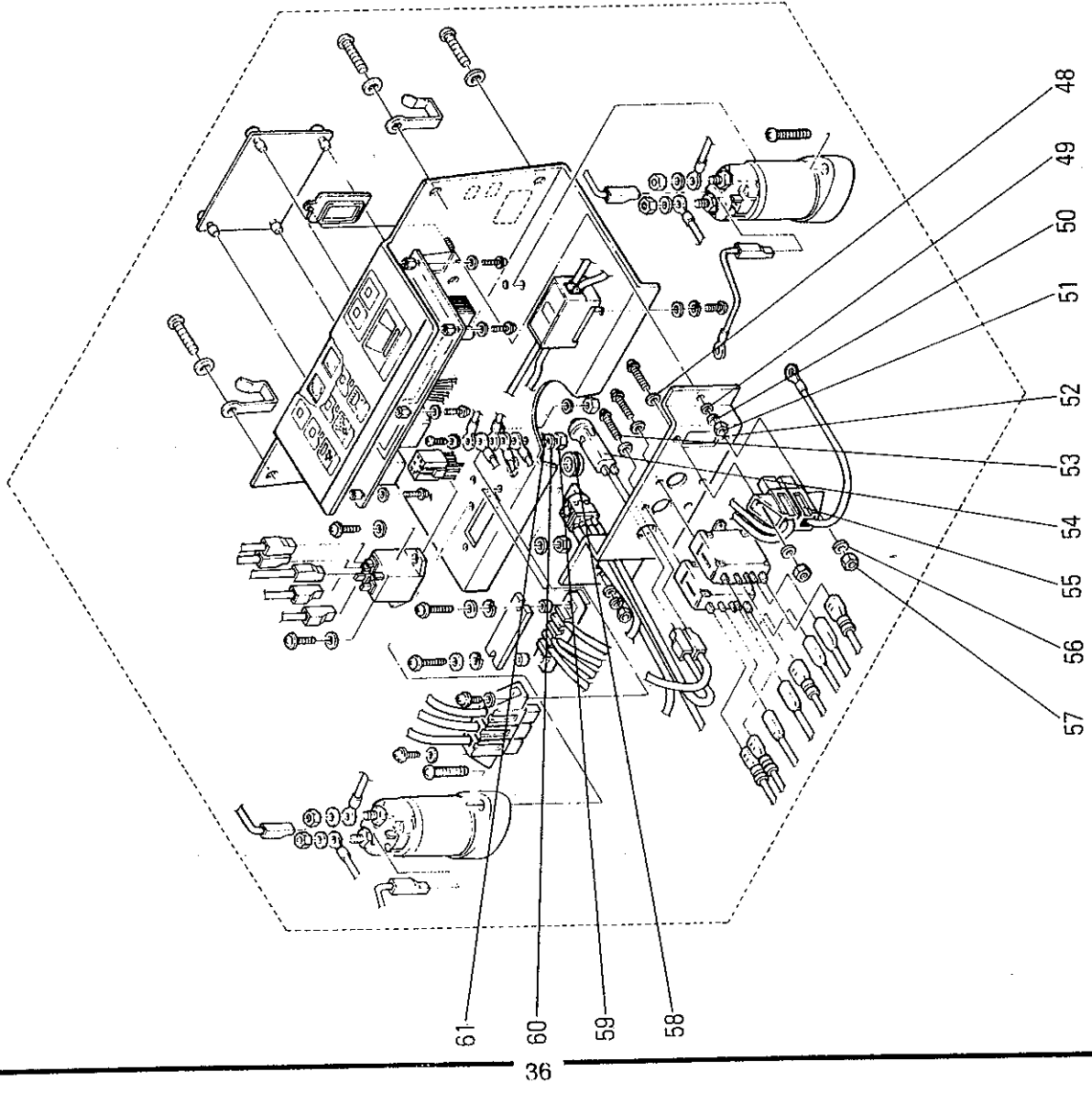
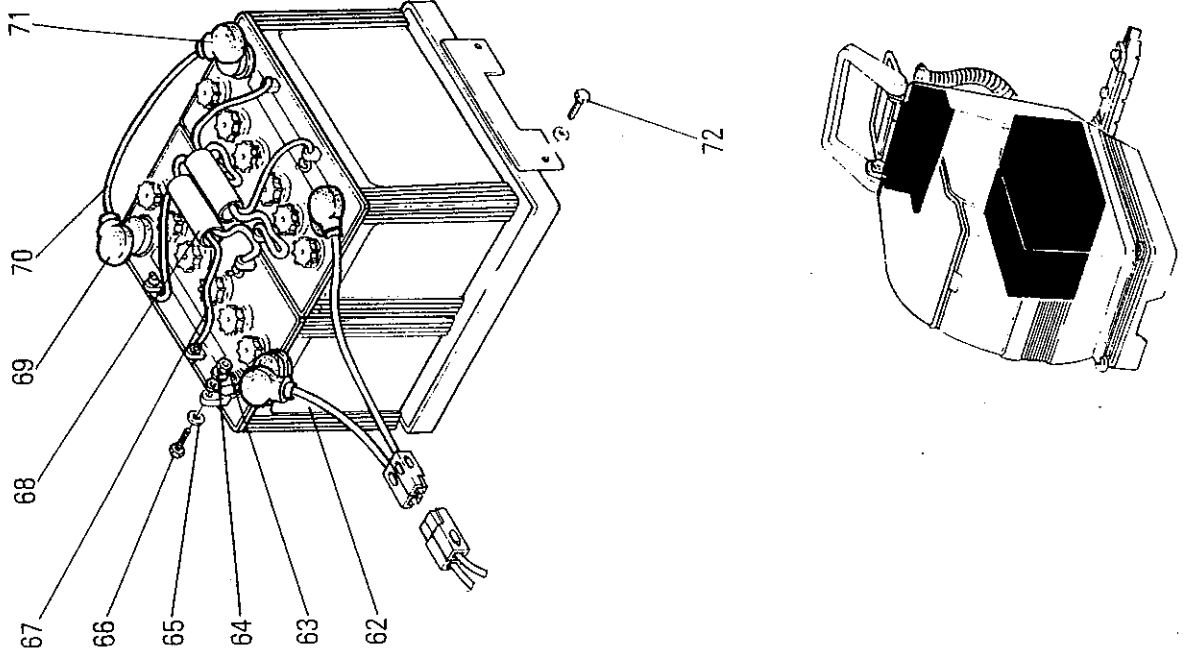


ELECTRICAL SECTION

Key No.	Part No.	Qty	Description	Remarks	Reference
48	WDG-4008	2	Plain washer	D=4mm, T=0.8mm	
49	WDG-4008	3	Plain washer	D=4mm, TL=0.8mm	
50	WBB-4010	3	Spring washer	D=4mm, T=1mm	
51	NAG-4032	3	Hex. nut	D=4mm, H=3.2mm	
52	HAL-5504	1	Mounting plate		
53	SUG-3006	4	Cross head screw	D=3mm, L=6mm	
54	HAL-5509	1	Circuit protector		
55	HAL-551250	1	Plug asm. for charging	D=4mm, T=0.8mm	
56	WDG-4008	2	Plain washer	D=4mm, H=3.2mm	
57	NAG-4032	2	Hex. nut		
58	VK-1121	1	Grommet with film	φ16	
59	NAG-6050	1	Hex. nut	D=6mm, H=5mm	
60	WDG-6010	1	Plain washer	D=6mm, T=1mm	
61	WBB-6015	1	Spring washer	D=6mm, T=1.5mm	
62	HAL-5006	2	Battery	GS/ED-65 12V-65AH	
63	4	Hex. nut		
64	4	Plain washer		
65	4	Plain washer		
66	4	Hex. bolt		
67	4	Band		
68	2	PVC pipe		
69	HAL-5608	2	Terminal cover (A)		
70	HAL-560750	1	Battery cord asm. (C)		
71	HAL-5609	2	Terminal cover (B)		
72	BAG-6012	4	Hex. bolt	D=6mm, L=12mm	

ELECTRICAL SECTION

Fig-16 C746HI-S07

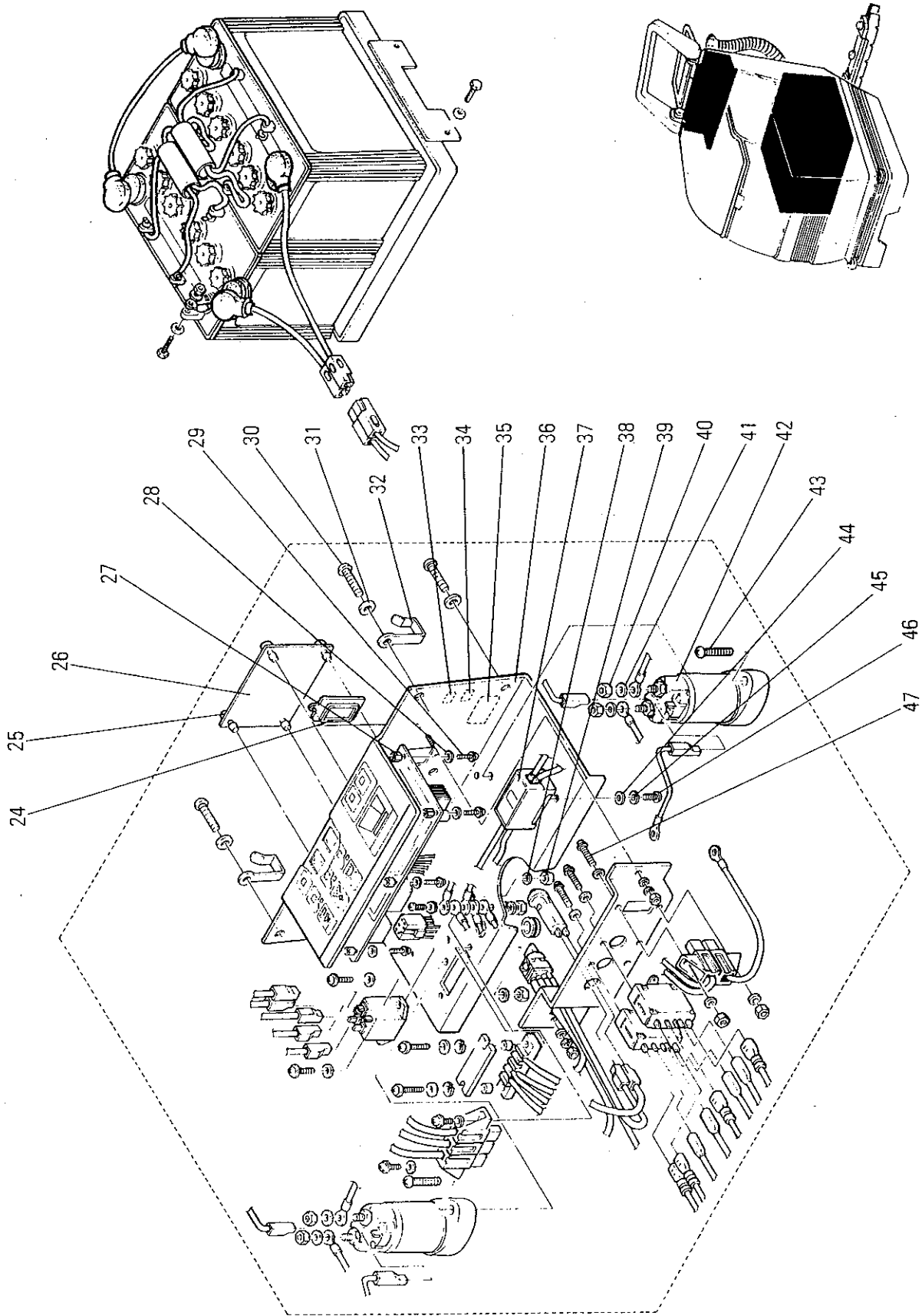


ELECTRICAL SECTION

Key No.	Part No.	Q'ty	Description	Remarks	Reference
24	HAL-7111	1	Blind plug (oil resistant type)		
25	HAL-5535	4	Plastic rivet		
26	HAL-5505	1	Protector cover		
27	HAL-5528	6	Spacer		
28	WDG-3005	6	Plain washer	D=3mm, T=0.5mm	
29	SUG-3006	6	Cross head screw	D=3mm, L=6mm	
30	SWU-5020	4	Cross head screw	D=5mm, L=20mm	
31	HAA-2086	4	Rosette washer		
32	HAL-4160	2	Hose hook		
33	HAL-5579	1	Name plate +		
34	HAL-5578	1	Name plate -		
35	VF-2732	1	Serial number seal		
	C-3007	1	Serial number seal (English)		
36	HAL-550150	1	Console box asm.		
37	HAL-5536	1	Terminal block		
38	WDG-3005	2	Plain washer	D=3mm, T=0.5mm	
39	NAG-3024	2	Hex. nut	D=3mm, H=2.4mm	
40	NAG-6050	4	Hex. nut	D=6mm, H=2.4mm	
41	WDG-6010	4	Plain washer	D=6mm, T=1mm	
42	HAL-5803	2	Conductor		
43	OBG-6030	4	Cross head screw	D=6mm, L=30mm	
44	WDG-5010	1	Plain washer	D=5mm, T=1mm	
45	WBB-5013	1	Spring washer	D=5mm, T=1.3mm	
46	IBG-5008	1	Cross head screw	D=5mm, L=8mm	
47	SUG-4008	6	Cross head screw	D=4mm, L=8mm	

ELECTRICAL SECTION

Fig-15 C746HI-S07

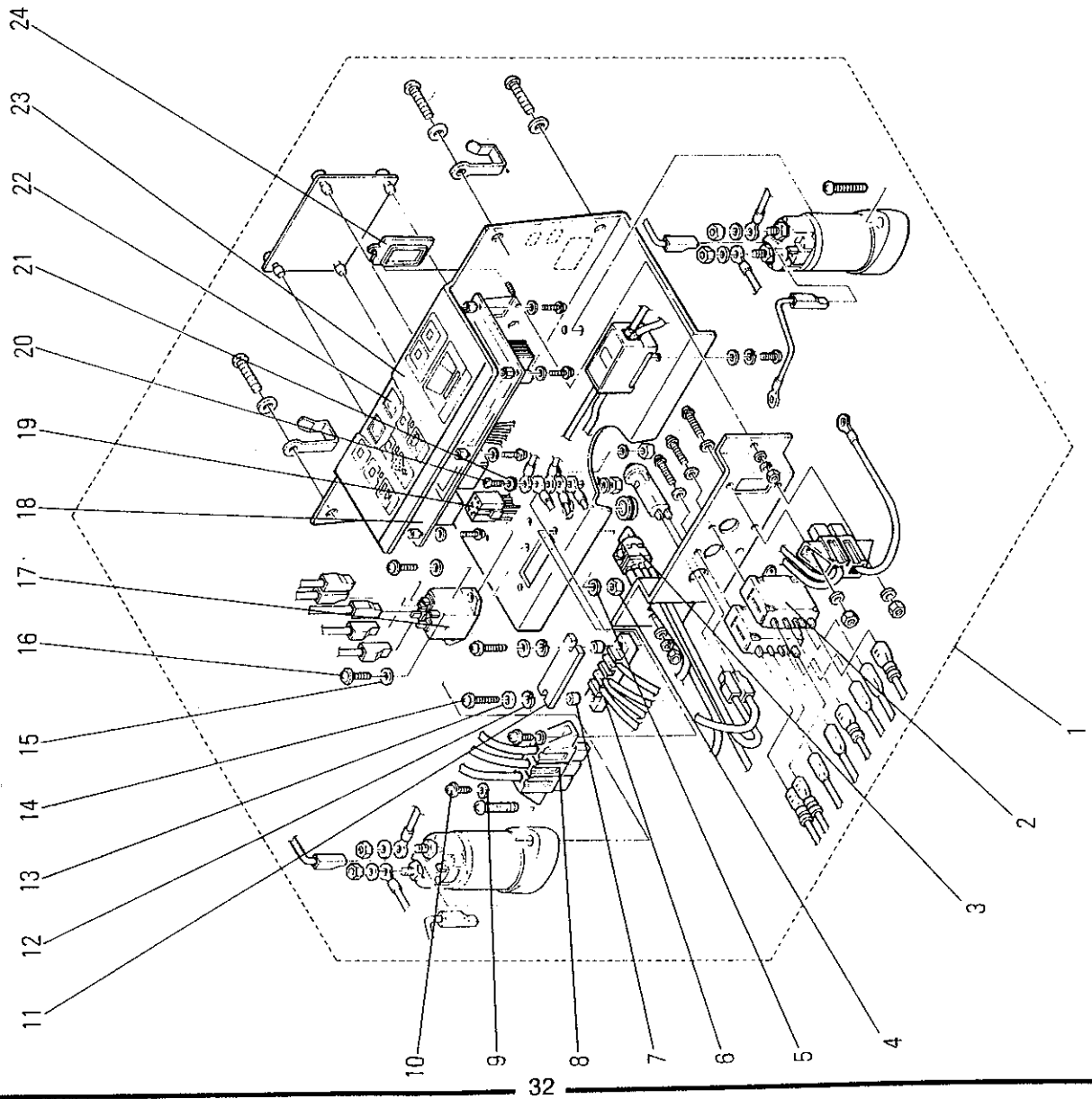


ELECTRICAL SECTION

Key No.	Part No.	Q'ty	Description	Remarks	Reference
1	HAL-550170	1	Console box asm.		
2	HAL-5508	2	Circuit protector		
3	HAL-551350	1	Switch cord asm.		
4	NAG-4032	2	Hex. nut		
5	WDG-4008	2	Plain washer	D=4mm, H=3.2mm D=4mm, T=0.8mm	
6	HAL-558050	1	Charger circuit asm.		
7	2	Charger circuit asm. for accessory		
8	HAL-551150	1	Isolation cord asm.		
9	WDG-4008	2	Plain washer	D=4mm, T=0.8mm D=4mm, L=8mm	
10	SUG-4008	2	Cross head screw		
11	1	Charger circuit asm. for accessory		
12	WBB-3006	2	Spring washer	D=3mm, T=0.6mm	
13	WDG-3005	2	Plain washer	D=3mm, T=0.5mm	
14	STG-3005	2	Cross head screw with plain washer	D=3mm, L=5mm	
15	WDG-4008	2	Plain washer	D=4mm, T=0.8mm	
16	IWD-4008	1	Cross head screw with plain washer	D=4mm, L=8mm	
17	HAL-5510	1	Power relay		
18	DEH-1008	1	SRC-I circuit board		
19	HAL-551450	1	Connector cord asm.		
20	OBG-6015	1	Cross head screw	D=6mm, L=15mm	
21	WKB-6007	1	M6 toothed lock washer		
22	HAL-5538	8	Rubber sheet		
23	HAL-5533	1	Panel sheet		
	HAL-5533	1	Panel sheet (English)		
24	HAL-5507	1	Blind plug		

ELECTRICAL SECTION

Fig-14 C746HI-S07

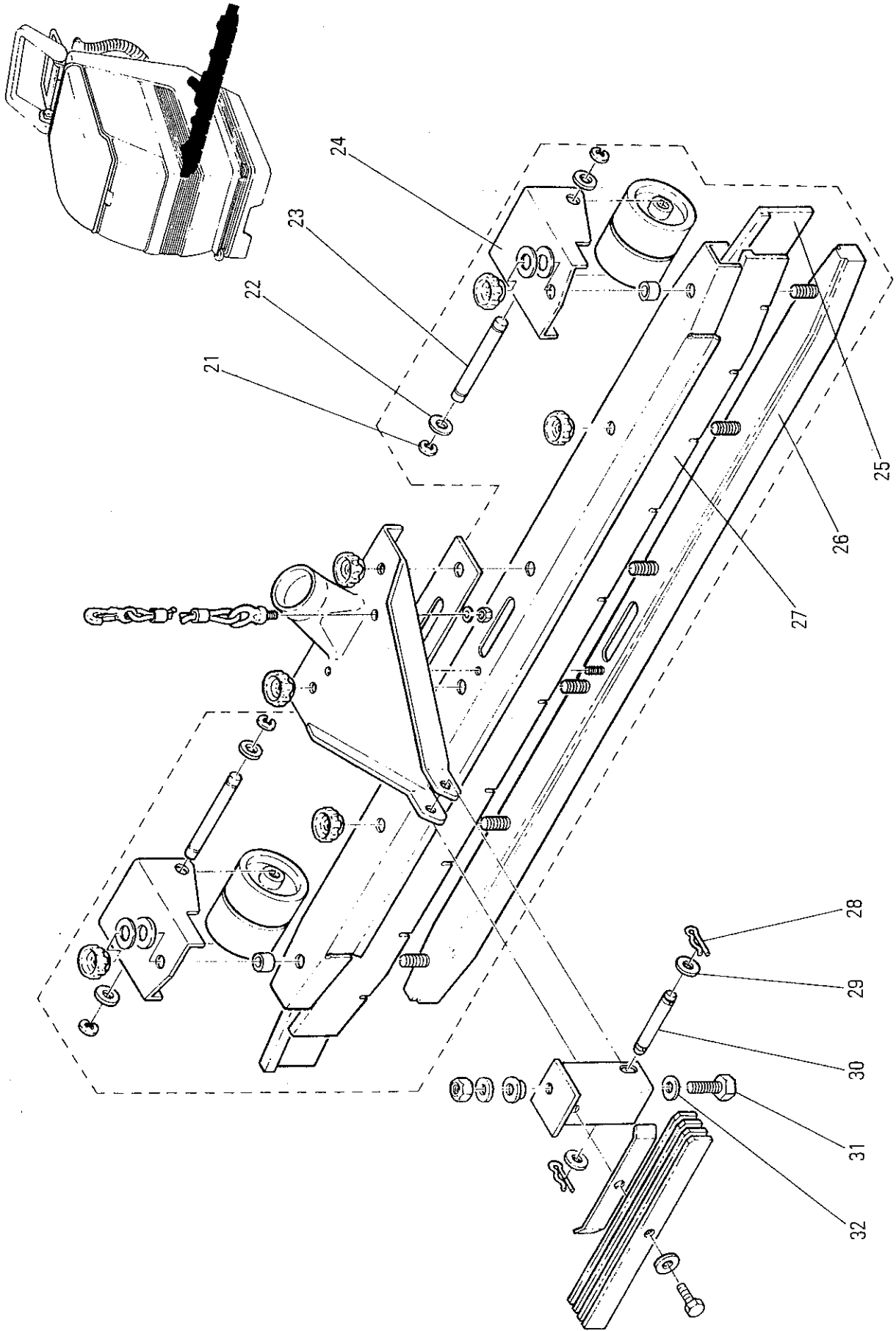


SQUEEGEE SECTION

Key No.	Part No.	Qty	Description	Remarks	Reference
21	CAU-4006	4	E-ring		
22	WDU-6010	4	Plain washer		D=6mm, T=1mm
23	HAL-4613	2	Pin		
24	HAL-462102	1	Holder (B)		
25	HAL-460303	1	Squeegee rubber (R)		L=800mm
26	HAL-4652	1	Squeegee rubber (R)(oil resistant type)		L=800mm
	HAL-4702	1	Squeegee rubber (R)(abrasion resistant)		L=800mm
	HAL-4923	1	Squeegee rubber (R)(use on a store)		L=680mm
	HAL-4604	1	Band element		L=705mm
	HAL-4921	1	Band element (use on a store)		L=585mm
27	HAL-4602	1	Squeegee rubber (F)		L=750mm
	HAL-4651	1	Squeegee rubber (F)(oil resistant type)		L=750mm
	HAL-4701	1	Squeegee rubber (F)(abrasion resistant)		L=750mm
	HAL-4922	1	Squeegee rubber (F)(use on a store)		L=630mm
28	VK-1573	1	Snap pin		
29	WDG-8016	1	Plain washer		D=8mm, T=1.6mm
30	HAL-3504	1	Pin		
31	BAG-1025	1	Hex. bolt		D=10mm, L=25mm
32	WQG-1020	1	Plain washer		D=10mm, T=2mm

SQUEEGEE SECTION

Fig-13 C746HI-S06

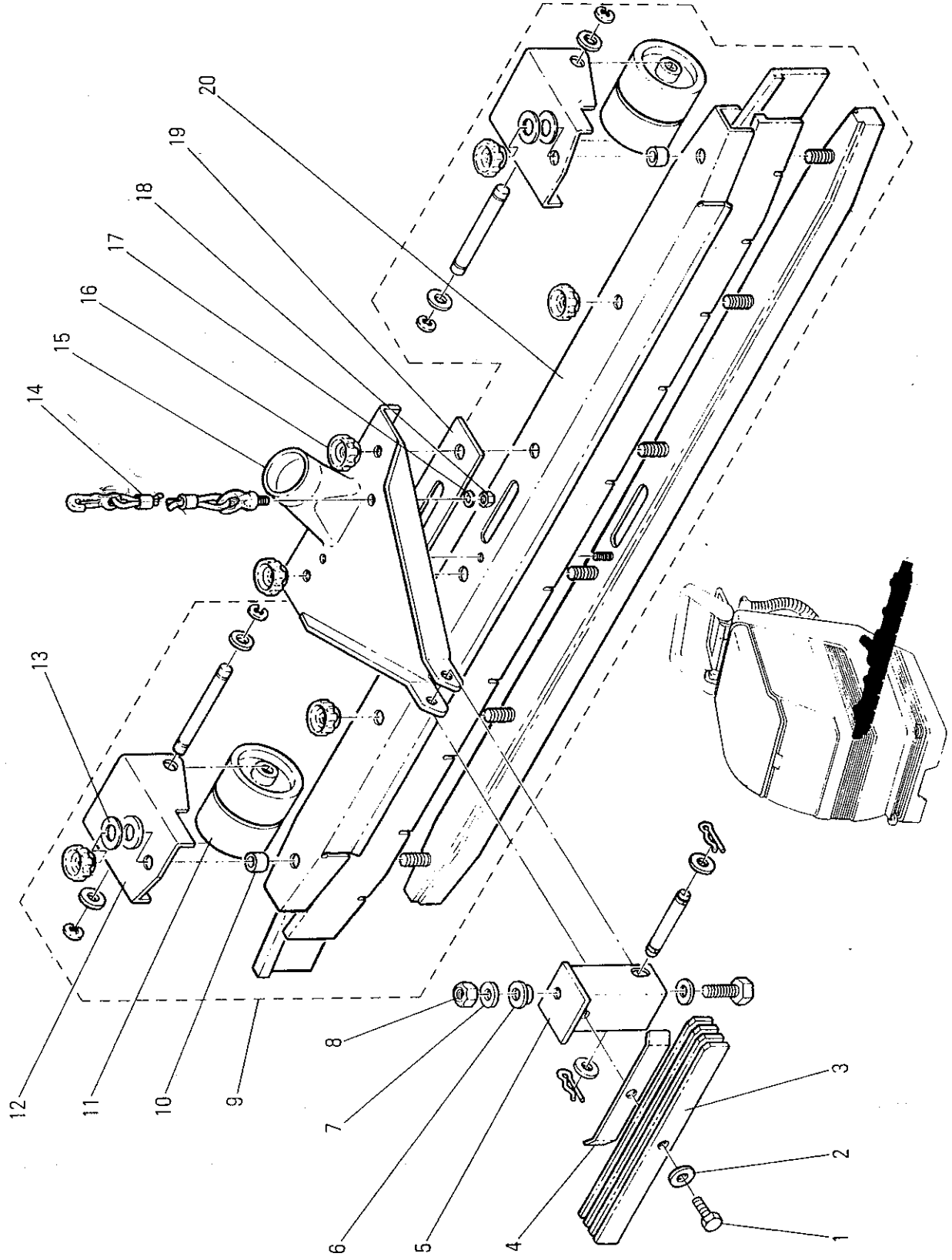


SQUEEGEE SECTION

Key No.	Part No.	Q'ty	Description	Remarks	Reference
1	BAG-8016	1	Hex. bolt		
2	WDG-8016	1	Plain washer		D=8mm, L=16mm
3	HAL-3507	4	Leaf spring (A)		D=8mm, T=1.6mm
4	HAL-3508	1	Leaf spring (B)		
5	HAL-3506	1	Bracket asm.		
6	HAL-3510	1	Bracket spacer		
7	WQG-1020	1	Plain washer		D=10mm, T=2mm
8	VK-1536	1	Lock nut - M10		D=10mm, T=8.3mm
9	HAL-460150	1	Squeegee holder asm.		
	HAL-465150	1	Squeegee holder asm. (oil resistant type)		
10	HAL-470150	1	Squeegee holder asm. (abrasion resist.)		
11	HAL-492150	1	Squeegee holder asm. (use on a store)		
12	HAL-4616	2	Spacer		
	HAL-4612	4	Wheel		
	HAL-4611	1	Holder (A)		
13	WDU-8016	4	Plain washer		D=8mm, T=1.6mm
14	HAL-358050	1	Wire asm.		
15	HAL-350150	1	Squeegee holder asm.		
6	HAL-450502	6	Adjusting nut		D=6mm, T=1mm
17	WBB-6010	1	M6 spring washer		
18	VK-1534	1	Lock nut - M6		D=6mm, H=5.3mm
19	HAL-3503	1	Packing		
	HAL-7105	1	Packing (oil resistant type)		
	HAL-4601	1	U-shape metal fitting		
20	HAL-4921	1	U-shape metal fitting (use on a store)		

SQUEEGEE SECTION

Fig-12 C746HI-S06



Product Order Form

Pioneer/Eclipse
 1 Eclipse Rd. • PO Box 909 • Sparta NC 28675
 1-336-372-8080 • fax: 1-800-949-2914

Date _____ Time _____

* \$50 Minimum or \$25 Handling Charge

** Order Literature with your Chemical Order

Customer Account Number 14187	Salesman / Contact Person	Sales Order Number
Sold To Terry	Ship To	
Pharmark North		
<input checked="" type="checkbox"/> Ground <input type="checkbox"/> 3rd Day <input type="checkbox"/> Air (2nd Day) <input type="checkbox"/> Air (Next Day)		
Parts Order Shipping Method		
Purchase Order Number 18056		
Phone Number		
Received By		

No.	QTY	PART NUMBER	DESCRIPTION	EACH	AMOUNT
1	12	490652078			
2	2	4834001			
3	1	64100			
4	1	25056			
5					
6					
7					
8					
9					
10					
11					
12					
13					
14					
15					
16					
17					
18					

ALL CLAIMS AND RETURNED GOODS MUST BE ACCOMPANIED BY THIS BILL