

# Pioneer Eclipse

## Operator's Manual

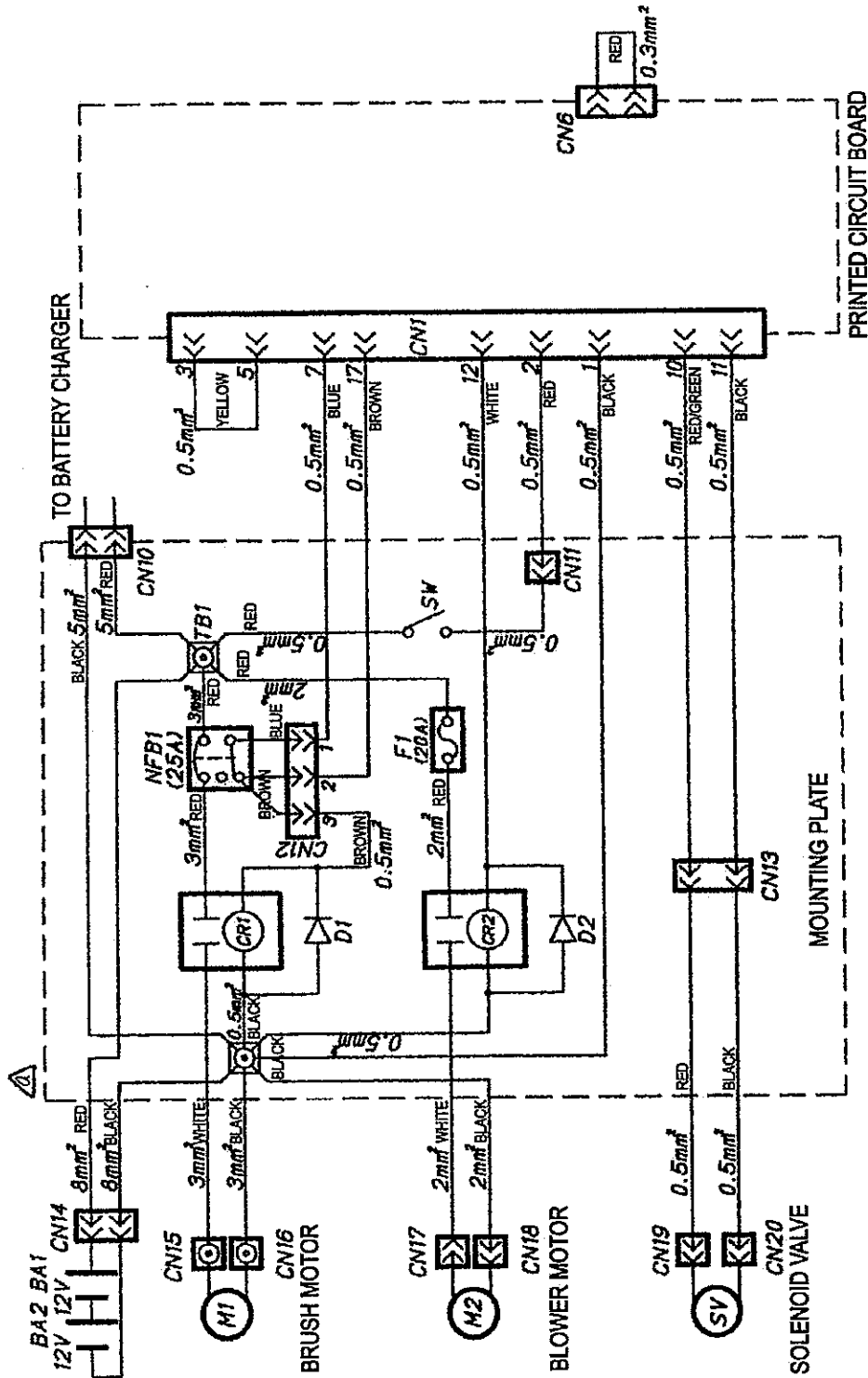
# PE1700

*Battery Autoscrubber*

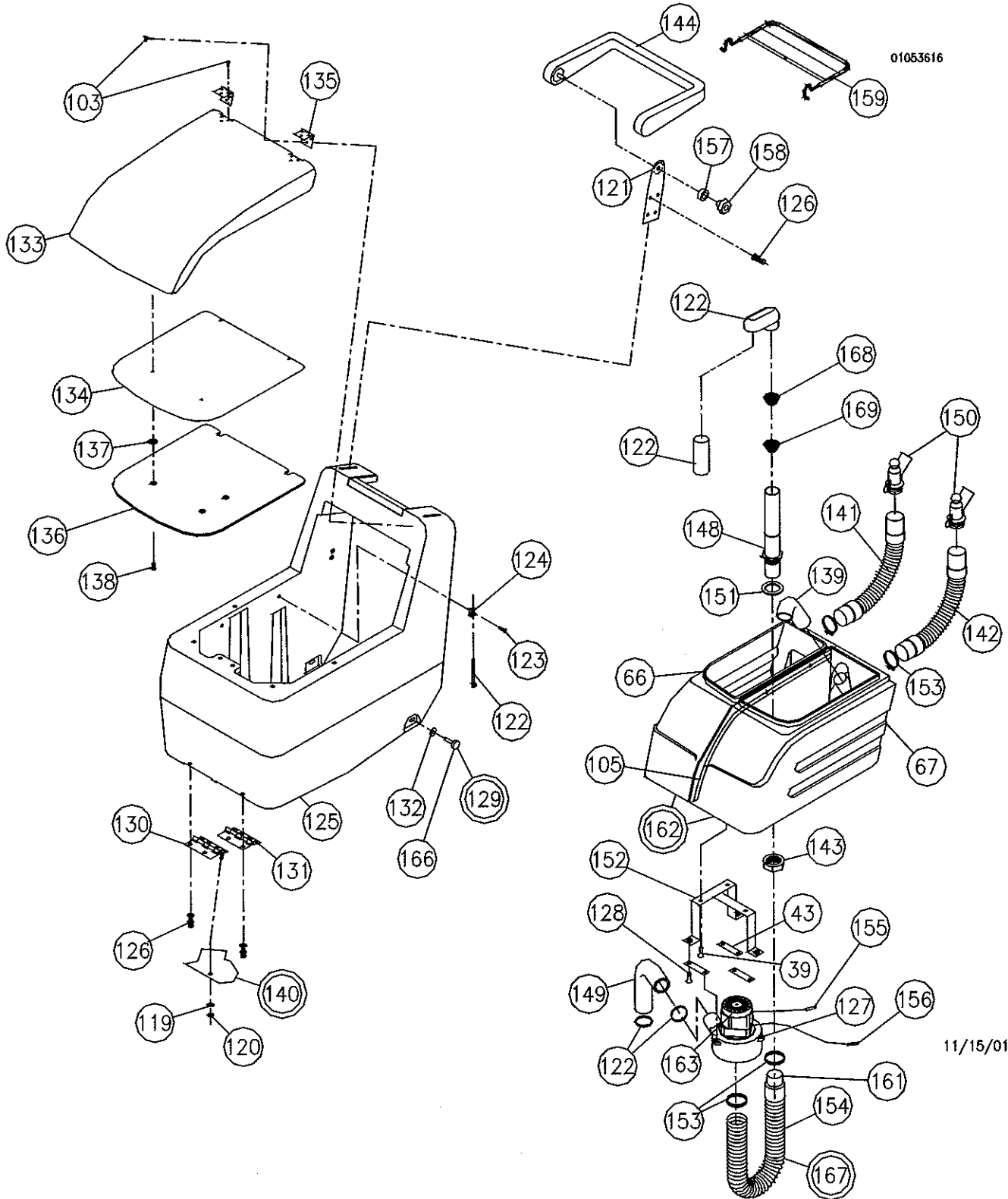


# Drawings and Parts Lists

## PE1700 Wiring Diagram



# PE1700 Body



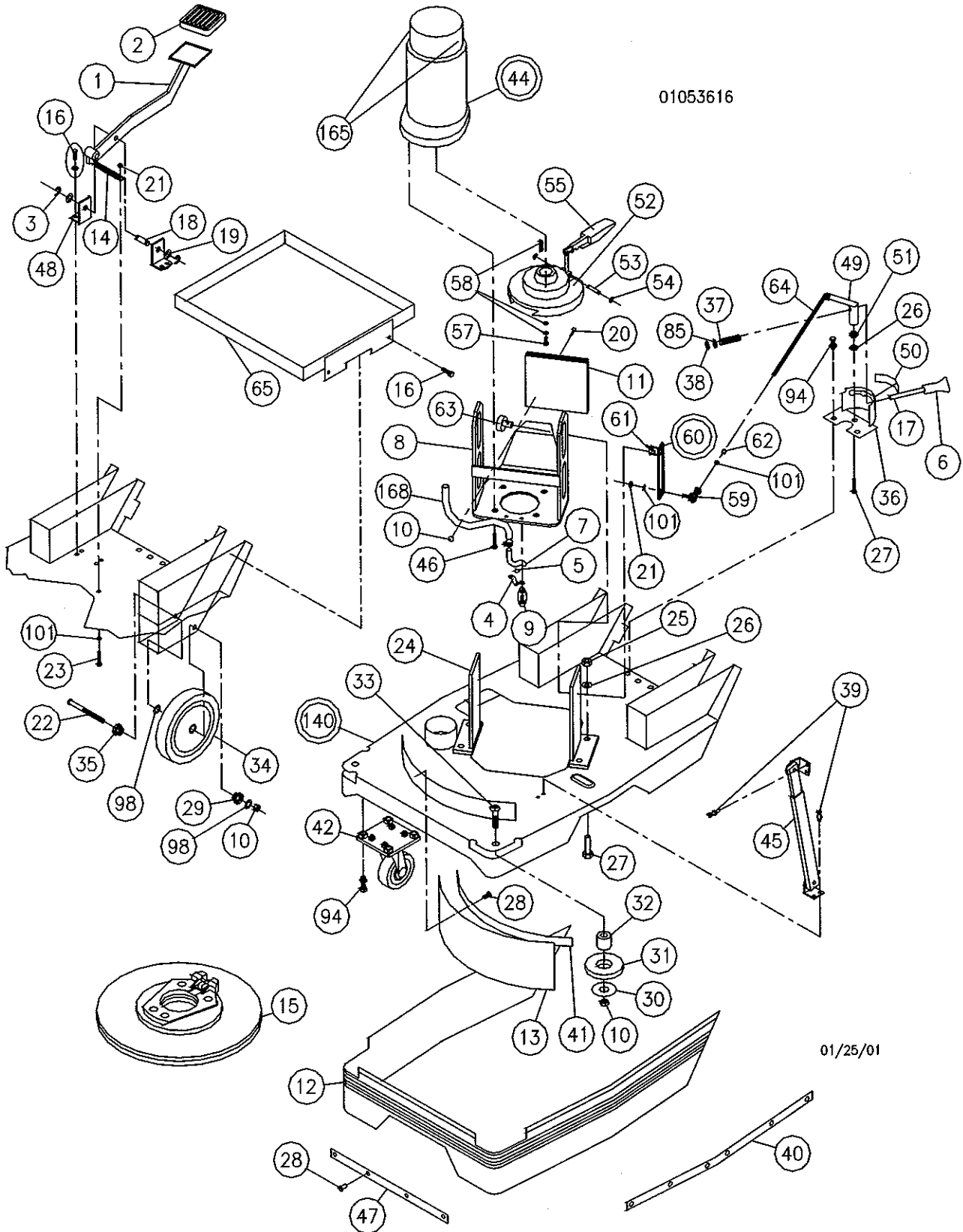
# PE1700 Body

REF #	PART #	DESCRIPTION	QTY	REF #	PART #	DESCRIPTION	QTY
39	IWB5012	Cross Recessed Pan HD Screw w/ Spring Washer	7	139	HAL4094	Nozzle Hoze	1
43	SC000200	Bracket Adaptor, Motor	3	140	WAN01264	Chassis Assembly	1
66	SC1020	Tank, Left	1	141	HAL422051	Hose, Drain, Clean	1
67	SC1010	Tank, Right	1	142	HAL422151	Hose, Drain, Filthy	1
103	SIU5014	Screw, Cross Head	20	143	HAL4116	Pipe Nut (GI 1/2)	1
105	VK1225	Gasket	***	144	HAL15017	Handle Assembly	1
119	WBB8020	Spring Washer M8	4	145	HEE40655	Float Assembly	1
120	NAG8065	Nut	4	146	HAL4096	Strainer 60	2
121	HAL42155	Handle Bracket Welding Assy.	2	147	HEE4059	Strainer 6.5	2
122	HEE40655	Float, Asm., PE1700	1	148	HAL4117	Pipe, Blower	2
123	IWB5016	Screw	1	149	MX1544	Hose Silencer	1
124	SC1250	Tie Mount	1	150	HEE41515	Gate Valve Assembly	1
125	SC1050	Chassis, U Tank	1	151	HEE4041	Gasket	1
126	OBD8016	Bolt w/ Flat Spring Washer	20	152	WAN01029	Bracket, Blower	1
127	HEE5001	Motor	1	153	HEC4172	Hose Band	5
128	OBD8025	Bolt w/ Flat Spring Washer	13	154	MX4010	Hose, Blower	1
129	HAL40315	Knob/Washer	2	155	HAB8056	Pin Terminal (Female)	1
130	HEE1211	Hinge (R)	1	156	HAB8055	Pin Terminal (Male)	1
131	HEE1212	Hinge (L)	1	157	HAL15055	Collar Assembly	2
132	VK1555	(W8) Seal Washer	1	158	HAL1504	Grip	2
133	WAN01129	Cover Outer (Burgundy)	1	159	WAN01026	Lever Assembly	1
	WAN011292	Cover, Tauper, PE1700	1	161	HEE4146	Cuff	1
134	SC1230	Lid Inner	1	162	SC1030	Tank R/L Assembly	1
135	HAL40205	Hinge Assembly	2	163	HAL7069	Carbon Brush	2
136	SC1240	Packing, Cover Inner Lid	1	166	HAL4031	Knob	2
137	HAL4154	O-Ring	4	167	SC000100	Blower Hose Assembly	1
138	IBD6014U	Screw, Oval	4	168	HAL4096	Strainer 6.0	1
				169	HEE4059	Strainer 6.5	1

**Not Shown:**

HAS4570                      Hook, Hose                      1

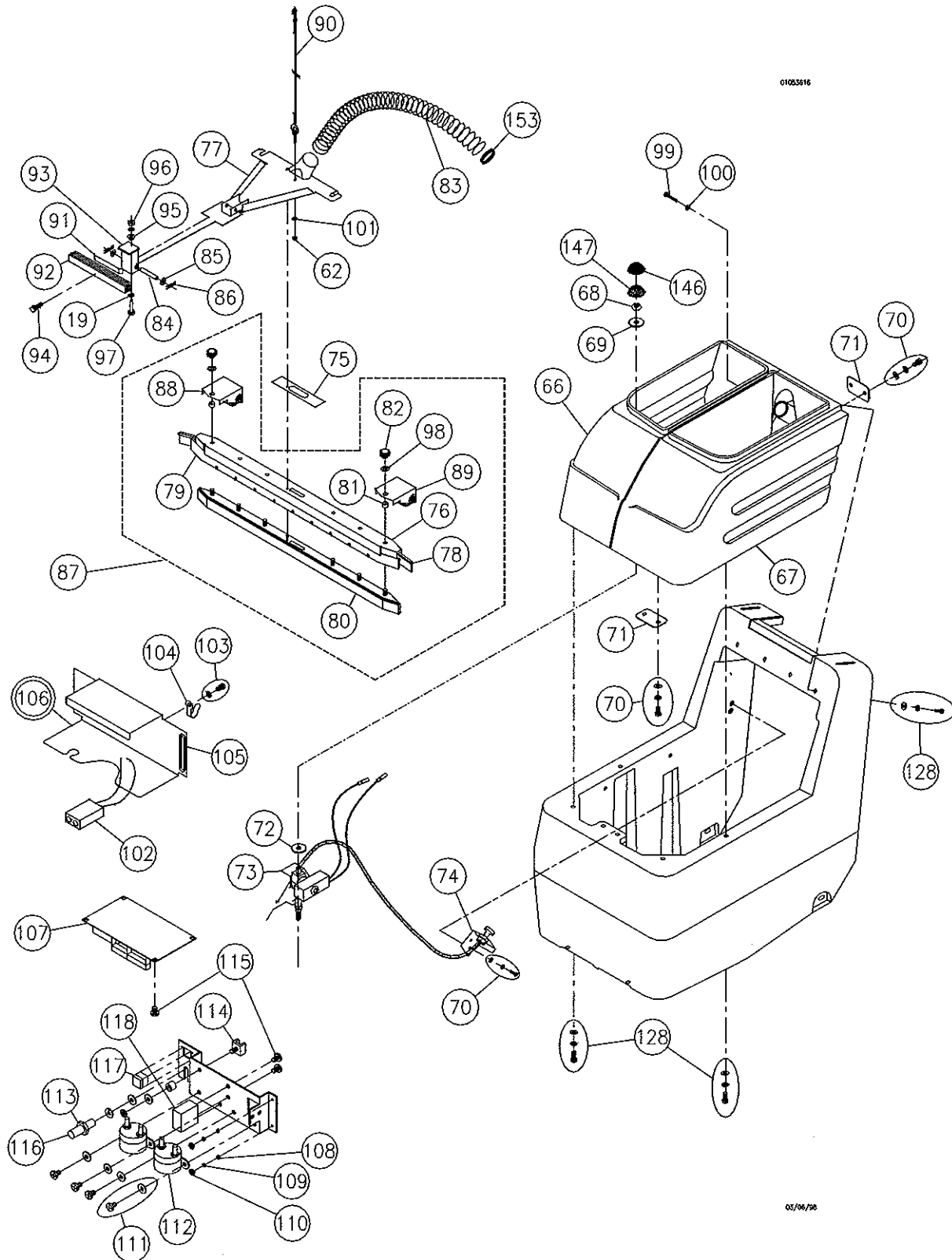
# PE1700 Chassis



## PE1700 Chassis

REF #	PART #	DESCRIPTION	QTY	REF#	PART#	DESCRIPTION	QTY
1	HAL25105	Pedal Sub Assembly	1	38	CAU6008	E - Ring	1
2	HAG3095	Brake Pedal Cover	1	39	IWB5012	Cross Recessed Pan HD Screw w/ Spring Washer	7
3	CAB9008	E - Ring	2	40	HAL1102	Cover Holding Plate (B)	2
4	VK1101	Saddle	1	41	HAL1105	Plate Retaining	1
5	VK1221	Gasket	1/2"	42	HAL1200	Caster	2
6	HAL2066	Knob	1	44	HAL2010	Geared Motor Assembly	1
7	HAL2520	Tube	1	45	HAL4026	One Touch Stay	1
8	HAL25055	Bracket Mount Assembly	1	46	OBG8020	Bolt w/ Plain Spring Washer	4
9	OBD5010	Hex Bolt 5mm w/ Flat and Spring Washer	2	47	HAL1101	Cover Holding Plate (A)	1
10	VK1535	M8 Lock Nut	6	48	HAL2515	Angle	2
11	HAL2509	Weight	3	49	HAL20615	Lever (B) Sub Assembly	1
12	HAL1100	Rubber Cover	1	50	HAL8011	Plate, H.M.I	1
13	HAL1104	Brush Cover	1	51	NHG1006	Nut	1
14	HAL2517	Spring	1	52	HAL2003	Brush Catch	1
15	HAL20117	Pad Stand Assembly, Sofron	1	53	HAL2006	Pin	1
16	OWB6015	Hex Bolt 6mm w/ Spring Washer	6	54	CEB4807	E - Ring	2
17	HAL2064	Rod	1	55	HAL2026	Lock Lever	1
18	HAL2516	Pin	1	57	OWB8020	Hex Bolt w/ Spring Washer	1
19	WQG1020	Washer, Plain	2	58	*****	Motor Accessory	**
20	BAG8035	Hex Bolt 8mm	2	59	HAL2056	Ring Ball	1
21	VK1534	M6 lock nut	1	60	HAL15505	Lever Assembly	1
22	BGJ8070	Screw, Cap	2	61	PGU4022	Roll Pin	1
23	BAG6035	Hex Bolt 6mm	1	62	NAG6050	Nut	2
24	HAL25015	Bracket Sub Assembly	2	63	HAL20535	Lever (A) Sub Assembly	2
25	NDG1080	Nut	4	64	HAL2057	Rod	1
26	WPB1025	Spring Washer 10mm	5	65	HAL50015	Battery Tray	1
27	BBG1025	Bolt, Hex	5	85	WDG8016	Washer, Plain	4
28	HAL1107	Nylon Rivet	20	94	OWB8016	Hex Bolt w/ Spring Washer	10
29	HAL1221	Wheel Collar	2	98	WDU8016	Washer, Plain	4
30	HAG4283	Washer, Plain	2	101	WBB6015	Spring Washer 6mm	4
31	HAL1210	Roller	2	140	WAN01264	Chassis Assembly	1
32	HAL1211	Collar	2	165	HAL7205	Carbon Brush	2
33	SIG8025	Screw, Phillips Head	2	168	HAL2520	Tube	1
34	HAL1220	Wheel	2				
35	HAL1222	Wheel Spacer	2				
36	HAL20685	Bracket Assembly	1				
37	HAL2065	Spring	1				

# PE1700 Squeegee



0103516

05/06/79

## PE1700 Squeegee

REF#	PART#	DESCRIPTION	QTY	REF#	PART#	DESCRIPTION	QTY
19	WQG1020	Washer, Plain	2	94	OWB8016	Hex Bolt w/ Spring Washer	10
62	NAG6050	Nut	2	95	HAL3510	Bracket Spacer	1
66	SC1020	Tank, Left	1	96	VK1536	Lock Nut	1
67	SC1010	Tank, Right	1	97	BBG1030	Hex Bolt 10mm	1
68	HAL3013	Nut	1	98	WDU8016	Washer, Plain	4
69	SC1270	Bracket, Strainer	1	99	BAU8016	Screw, Stainless	2
70	IBD5016	Screw w/ Flat Spring Washer	2	100	NB6703	Washer, Rubber	2
71	WAN01035	Board Contact	4	101	WBB6015	Spring Washer 6mm	4
72	SC1260	Washer, Valve	1	102	HAP8026	Connector	1
73	HAL30027	Solenoid Valve Sub Assembly	1	103	SIU5012	Screw, 5 mm x 12 mm	16
74	WAN01034	Bracket, Water Valve	1	104	HAL4160	Hook, Hose	2
75	HAL3503	Packing	1	105	VK1225	Gasket	***
76	HAL4601	Fitting, U	1	106	WAN01036	Console Panel Assembly	1
77	HAL35017	Squeegee Holder Assembly	1	107	HAL60105	Circuit Board	1
78	HAL4603	Squeegee (R)	1	108	WDG4008	Flat Washer	4
79	HAL4602	Squeegee (F)	1	109	WBB4010	Flat Spring	4
80	HAL4604	Band Element	1	110	NAG4032	Nut	4
81	HAL4616	Spacer	2	111	IWD6010	Screw, with Flat Washer	4
82	HAL4505	Nut, Adjusting	2	112	HEE6220	Solenoid	2
83	HEE41385	Hose, Squeegee Assembly	1	113	HAL60505	Fuse Holder Assembly	1
84	HAL3504	Pin	1	114	HEE6223	Terminal Base	1
85	WDG8016	Washer, Plain	4	115	SUG3006	Screw, Cross Head	5
86	VK1573	Pin Snap	2	116	HAN8212	Fuse 20 AMP	1
87	HAL46017	Squeegee Assembly	1	117	HAL60405	Switch, Power	1
88	HAL46215	Wheel Driving (B) Assembly	1	118	HAL60305	Current Sensor Assembly	1
89	HAL46115	Wheel Driving (A) Assembly	1	128	OBD8025	Bolt w/ Flat Spring Washer	13
90	HAL35806	Cord Assembly	1	146	HAL4096	Strainer 60	2
91	HAL3508	Leaf Spring (B)	1	147	HEE4059	Strainer 6.5	2
92	HAL3507	Leaf Spring (A)	4	153	HEC4172	Hose Band	5
93	HAL3506	Bracket	1				



# Pioneer Eclipse

## LIMITED WARRANTY

PE1700 MODELS  
TO QUALIFY FOR THIS WARRANTY:

- 1) Machine must be registered at the time of purchase on a form provided by Pioneer Eclipse Corporation. Your Pioneer Eclipse Distributor is responsible for the registration of your machine. Please cooperate with your distributor in supplying necessary information on the card.
- 2) The machine must have been purchased from Pioneer Eclipse or an authorized Pioneer Eclipse Distributor.
- 3) This warranty extends to the original purchaser only and is not transferable to subsequent owners.

### TIME PERIODS

TWO (2) YEARS PARTS AND LABOR - Warranted for the forementioned time periods to be free from defects in material and workmanship from the date of purchase by the original owners. (See Exclusions.)

### EXCLUSIONS (Not Covered by Warranty)

- 1) Parts that fail through normal wear by reason of their characteristics (pads, brushes, belts, bumpers, skirting, or other consumable parts).
- 2) This warranty does not extend to parts affected by misuse, neglect, abuse or improper maintenance. All defective parts must be returned to the Distributor for credit.
- 3) Motors warranted by motor manufacturer.

### THE OBLIGATION OF PIONEER ECLIPSE CORPORATION

- 1) The obligation of Pioneer Eclipse under this warranty is limited to repairing or replacing, at its option, any part which is proven to be defective in material or workmanship under normal use for the applicable period stated above.
- 2) Warranty repairs will be made by your Pioneer Eclipse Distributor without charge for parts and labor.
- 3) Parts repaired or replaced under this warranty are warranted only during the balance of the original warranty period. All defective parts replaced under these warranties become the property of Pioneer Eclipse.

### WARRANTY SERVICE

To obtain warranty service, take your machine and proof of purchase to any authorized Pioneer Eclipse Distributor, preferably to the distributor from whom the machine was purchased. For the Distributor in your area, call Pioneer Eclipse Customer Service Department at 800-367-3550. If you are dissatisfied with the service that you receive, call or write Pioneer Eclipse Customer Service Department for further assistance.

### DISCLAIMER OF CONSEQUENTIAL

PIONEER ECLIPSE DISCLAIMS ANY RESPONSIBILITY FOR LOSS OF USER TIME OF THE PIONEER ECLIPSE MACHINE OF ANY OTHER INCIDENTAL OR CONSEQUENTIAL DAMAGE EXCEPT AS STATED IN THE WARRANTY APPLICABLE TO EACH MACHINE. EXCEPT AS STATED IN SUCH WARRANTIES, THE COMPANY DOES NOT OTHERWISE WARRANTY ANY MACHINE AND NO WARRANTY, EXPRESS, IMPLIED OR STATUTORY IS MADE BY THE COMPANY.

# *Pioneer Eclipse*

**P.O. Box 909**

**Sparta, NC 28675**

**1-800-367-3550; 1-336-372-8080**

**Fax: 1-336-372-2895**

Machinery Directive 98/37/EC as amended by Directive 89/392/EEC, Directive 91/368/EEC,  
Directive 93/44/EEC, and by Directive 93/68/EEC;

EMC Directive 89/336/EEC, rectified by 389LO336R(01) and amended by 91/263/EEC, 92/31/EEC and 93/68/EEC.

Low Voltage Directive 73/23/EEC amended by 93/68/EEC.