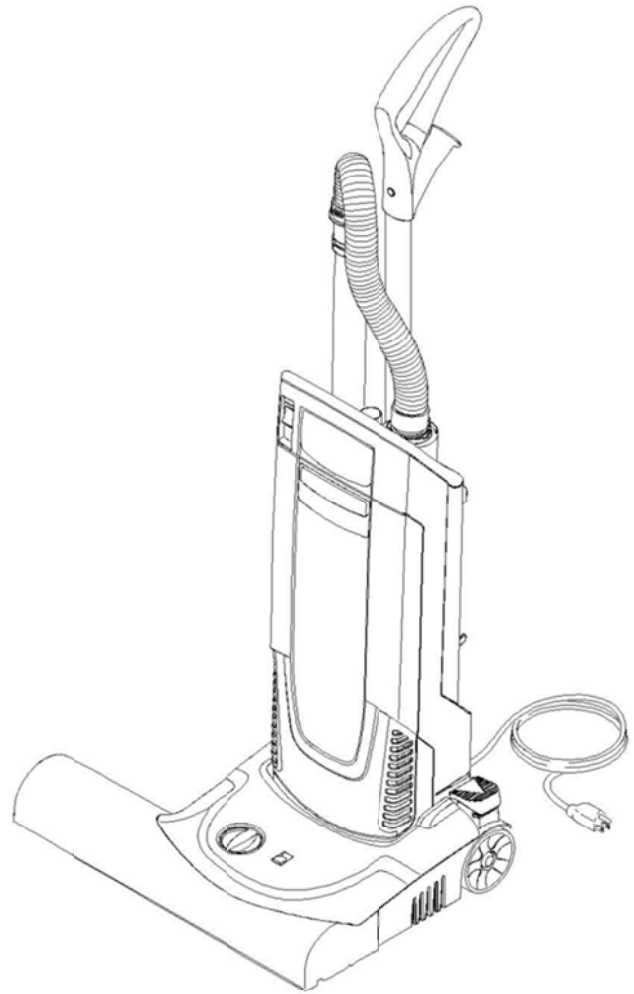
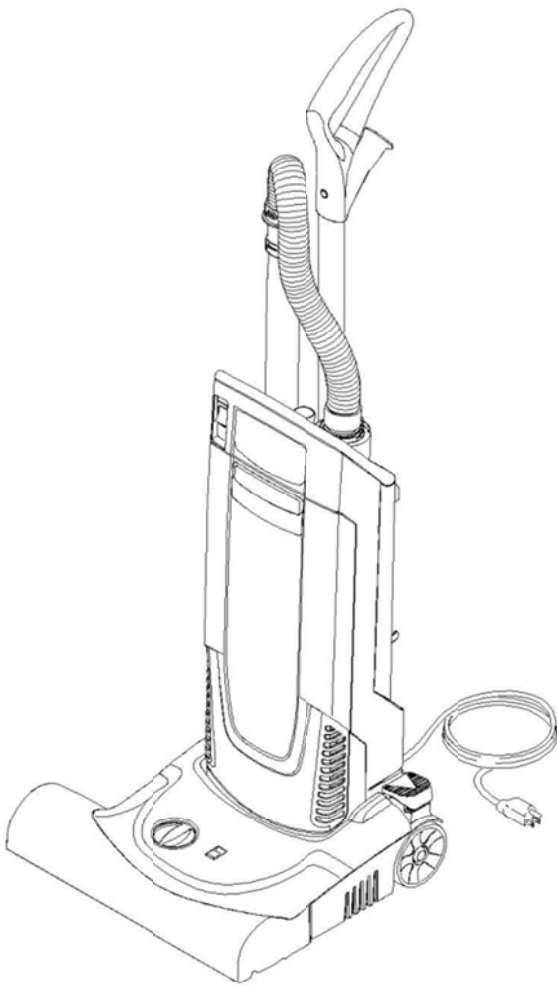


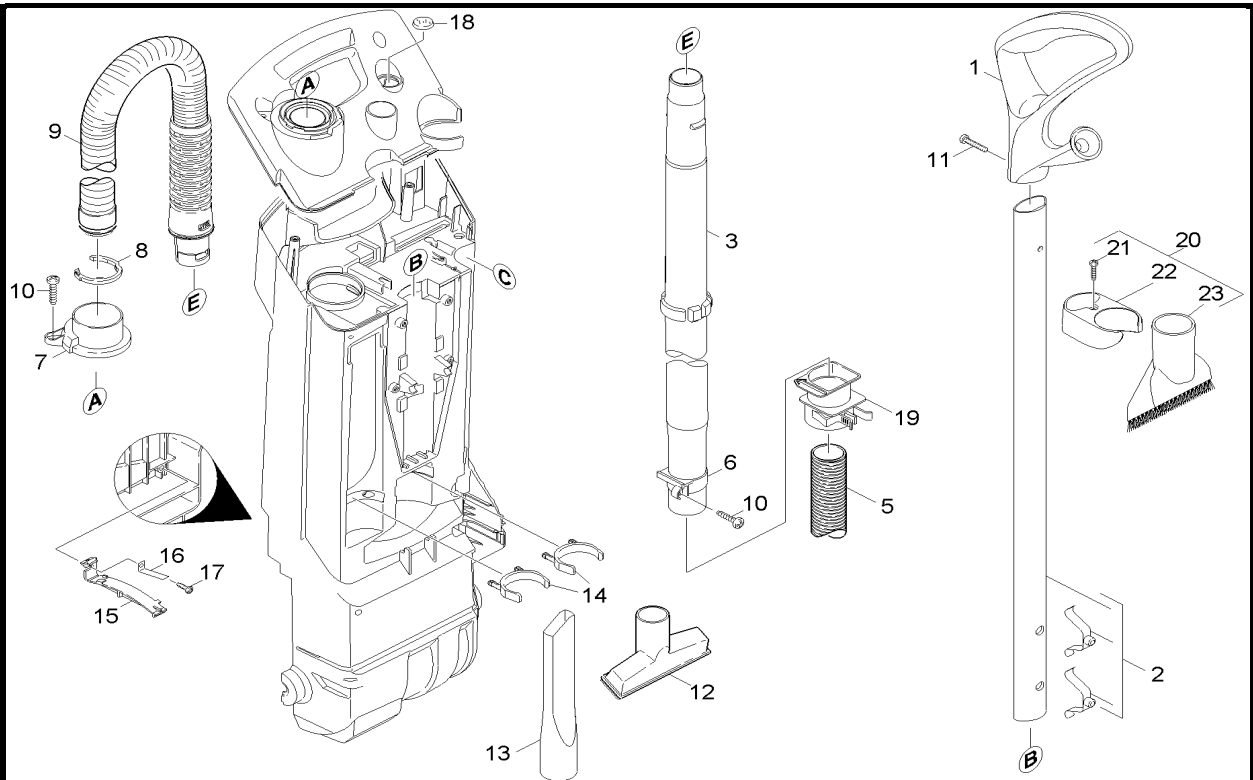
PARTS LIST

PACER 14 UE

PACER 18 UE

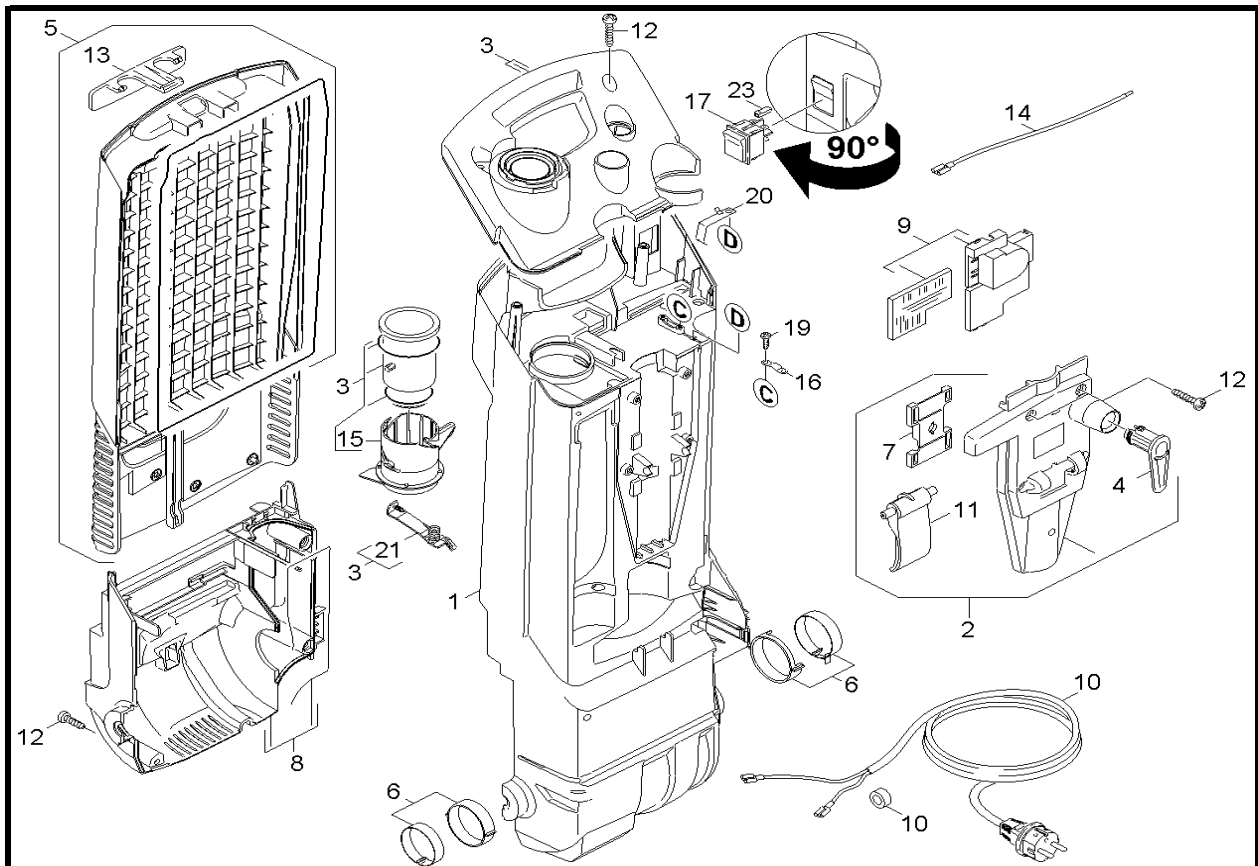


INDIVIDUAL PARTS



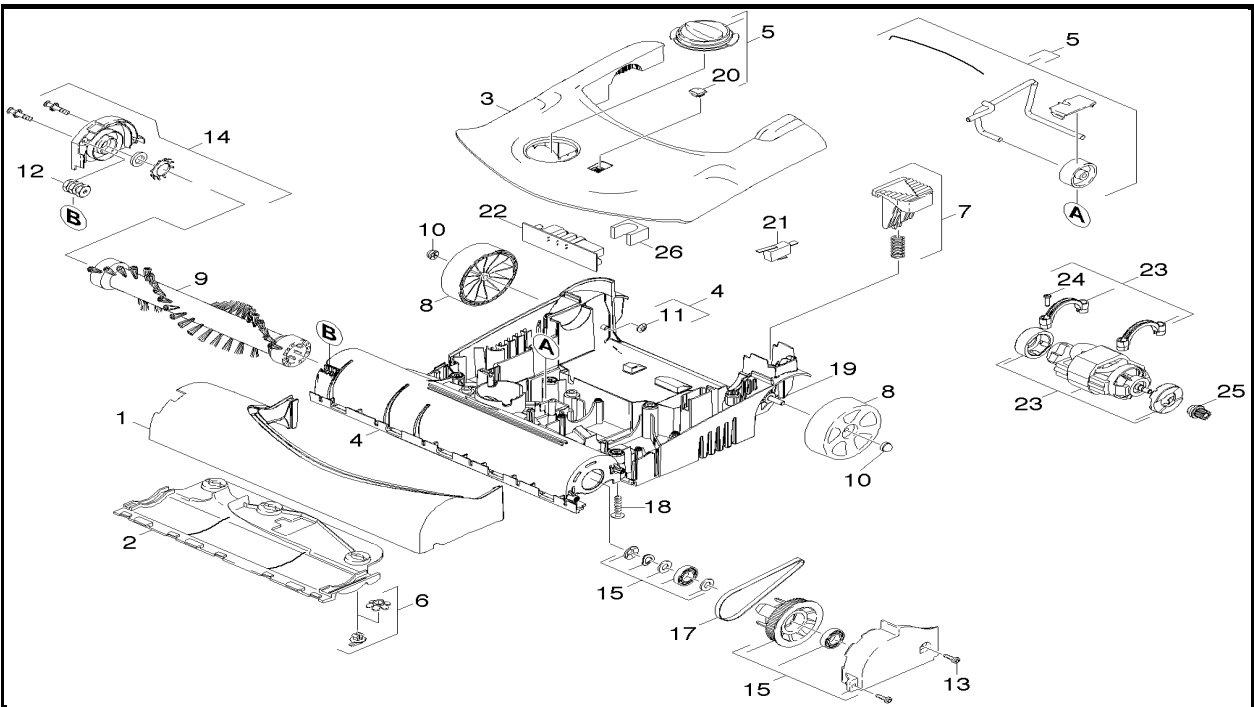
ITEM	PART NO.	PART DESCRIPTION	QTY.
1	7190311	Handhold	1
2	7293511	Handle complete only for replacement	1
3	7293521	Suction tube	1
5	7293531	Suction hose DN32	1
6	7293541	Ring suction tube	1
7	7293551	Hosebarb	1
8	6890011	Locking ring	1
9	7293561	Suction hose DN32	1
10	7293571	Screw 5x20 -10.9-R2R (In6Rd)	2
11	7190551	Screw 5x40 -A2-70 (IN6Rd)	1
12	6890251	Upholstery nozzle DN35	1
13	7293581	Crevice nozzle DN35	1
14	7293591	Clip accessories	2
15	6890141	Holder filter	1
16	6890151	Spring	1
17	7293601	Screw 4x12 -10.9-R2R (IN6RD)	1
18	7292231	Lens	1
19	7293611	Sleeve suction tube	1
20	7293621	Accessories kit clamp	1
21	7293631	Screw 5x20 -A2-70 (In6Rd)	1
22	7293641	Clamp	1
23	7293651	Suction brush DN35	1

APPLIANCE TOP PART



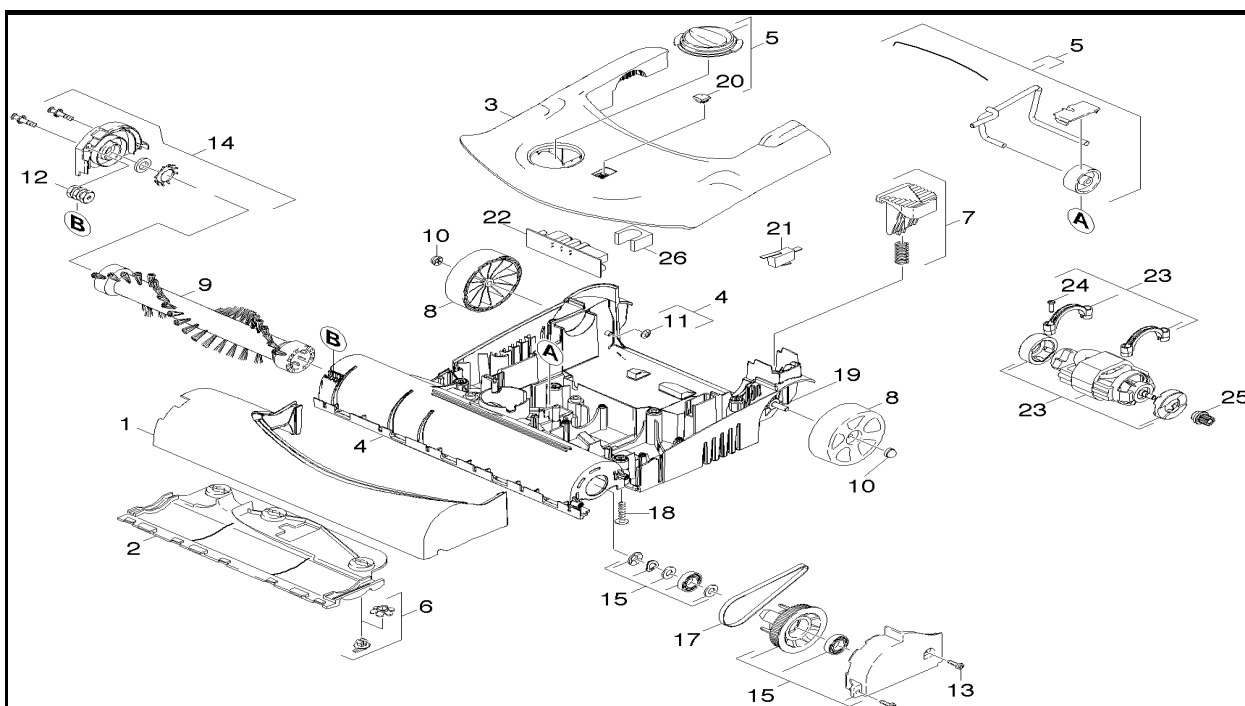
ITEM	PART NO.	PART DESCRIPTION	QTY.
1	7293661	Housing	1
2	7293671	Covering cap complete only for replaceme	1
3	7293681	Covering cap electric	1
4	7293691	Catch for cable	1
5	7293701	Cover complete black	1
6	7293711	Set bearing shells	1
7	7293721	CLAMP	1
8	7293731	Covering cap motor complete nur fuer Ers	1
9	7293741	Circuit board only for replacement CV30/	1
10	7293751	Power cable only for replacement	1
11	7293761	Clamp lever	1
12	7293571	Screw 5x20 -10.9-R2R (In6Rd)	9
13	7293771	Closure cover	1
14	7293781	Electrical small parts CV 38/2, CV 48/2	1
15	7293791	OPERATING LEVER	1
16	7293061	Clamp clip	1
17	7293801	Rocker switch black	1
19	7190521	Screw 3,5x12-10.9-R2R (IN6RD)	2
20	7293811	Spring earthing	1
21	7293821	Spring connection piece completely	1
23	7293831	Insulation sheath	2

BRUSH HEAD - NSS PACER 14 UE



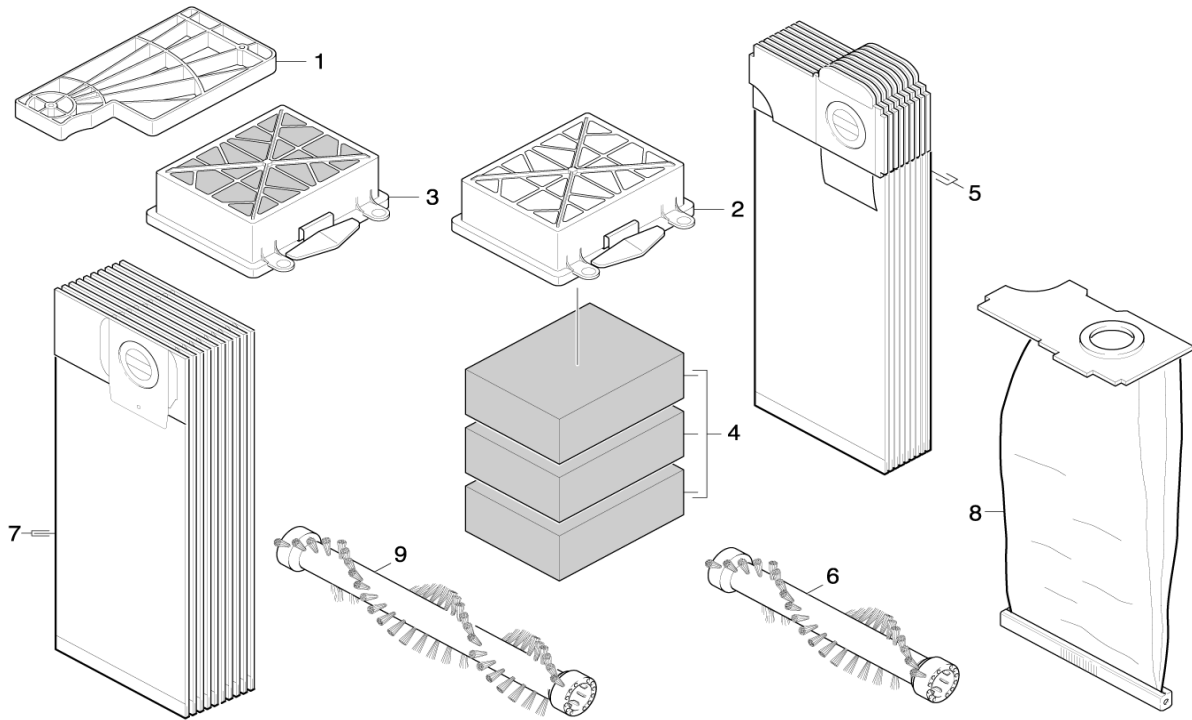
ITEM	PART NO.	PART DESCRIPTION	QTY.
1	7293841	Bumper CV 38/1	1
2	7293861	Sliding bottom	1
3	7293881	Housing top part complete	1
4	7293891	Housing complete	1
5	7293911	Adjusting wheel complete	1
6	7293921	Closure parts set for replacement	1
7	7293931	Foot pedal complete only for replacement	1
8	7293941	Wheel	2
9	7293951	Roller brush black	1
10	6891131	Lock washer	2
11	7190381	Lock washer	2
12	7293991	Screw connector part	2
13	7190531	Screw 4x12 -10.9-R2R (IN6RD)	2
14	7294001	Covering cap complete brush	1
15	7294011	Covering cap complete belt	1
17	7294021	Toothed belt	1
18	7294031	Screw 5x25-IN6RD	8
19	7294041	Axle	1
20	7294051	Lens	1
21	7294061	Micro switch	1
22	7294071	Printed circuit board 230V	1
23	7294081	Motor complete	1
24	7294091	Screw 4x22 -ST-10.9-R2R (IN6RD)	4
25	7294101	Pinion	1
26	7294111	Protecting cap	1

BRUSH HEAD - NSS PACER 18 UE



ITEM	PART NO.	PART DESCRIPTION	QTY.
1	7293851	Bumper	1
2	7293871	Sliding bottom	1
3	7293881	Housing top part complete	1
4	7293901	Housing complete	1
5	7293911	Adjusting wheel complete	1
6	7293921	Closure parts set for replacement	1
7	7293931	Foot pedal complete only for replacement	1
8	7293941	Wheel	2
9	7293971	Roller brush black	1
10	6891131	Lock washer	2
11	7190381	Lock washer	2
12	7293991	Screw connector part	2
13	7190531	Screw 4x12 -10.9-R2R (IN6RD)	2
14	7294001	Covering cap complete brush	1
15	7294011	Covering cap complete belt	1
17	7294021	Toothed belt	1
18	7294031	Screw 5x25-IN6RD	8
19	7294041	Axle	1
20	7294051	Lens	1
21	7294061	Micro switch	1
22	7294071	Printed circuit board 230V	1
23	7294081	Motor complete	1
24	7294091	Screw 4x22 -ST-10.9-R2R (IN6RD)	4
25	7294101	Pinion	1
26	7294111	Protecting cap	1

ACCESSORIES



ITEM	PART NO.	PART DESCRIPTION	QTY.
1	7294141	Filter motor protecting	1
2	7294151	Filter frame grey	1
3	7294161	Filter packaged HEPA	1
4	7294171	Filter sponge Kärcher 3St.	1
5	7294181	FILTER BAGS 10 PC	1
6	7294191	Roller brush antistatic - NSS PACER 14 UE	1
6	7293961	Roller brush red - NSS PACER 14 UE	1
7	7294201	Filter bag fleece	1
8	7294211	Filter bag cloth	1
9	7293981	Roller brush red - NSS PACER 18 UE	1
9	7293971	Roller brush black - NSS PACER 18 UE	1



NSS® Enterprises, Inc.

3115 Frenchmens Road, Toledo, Ohio 43607
PHONE (419) 531-2121 FAX (419) 531-3761

NSS® Enterprises, Inc. European Distribution Centre
Unit II, Pinfold Trading Estate * 55 Nottingham Road
STAPLEFORD, NOTTINGHAM NG9 8AD ENGLAND U.K.
PHONE: (44) 0115 939 1568 * FAX: (44) 0115 949 0615