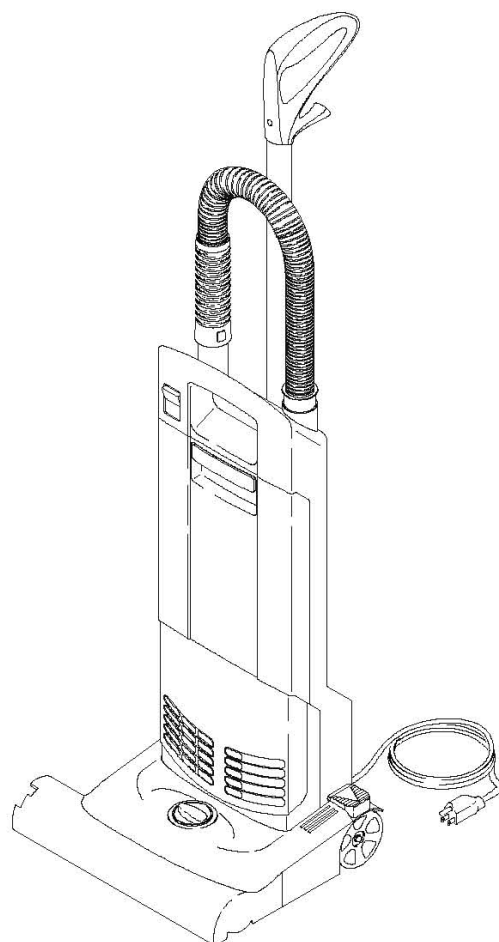
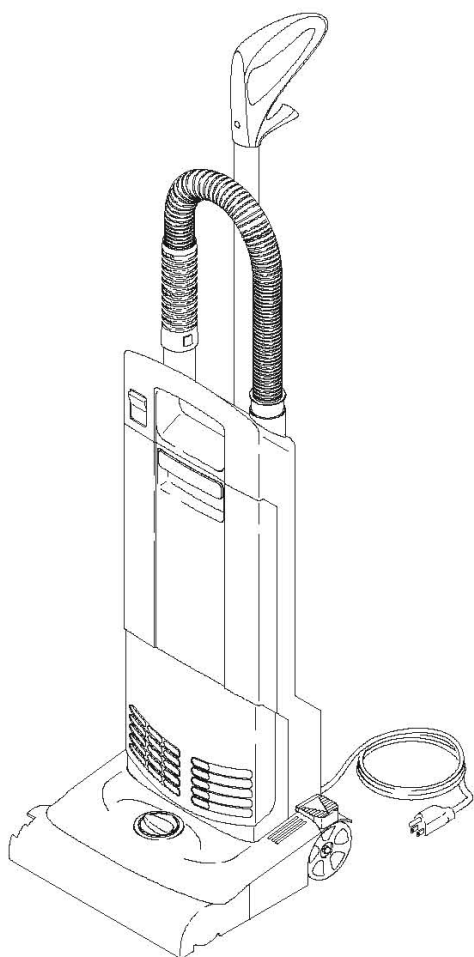
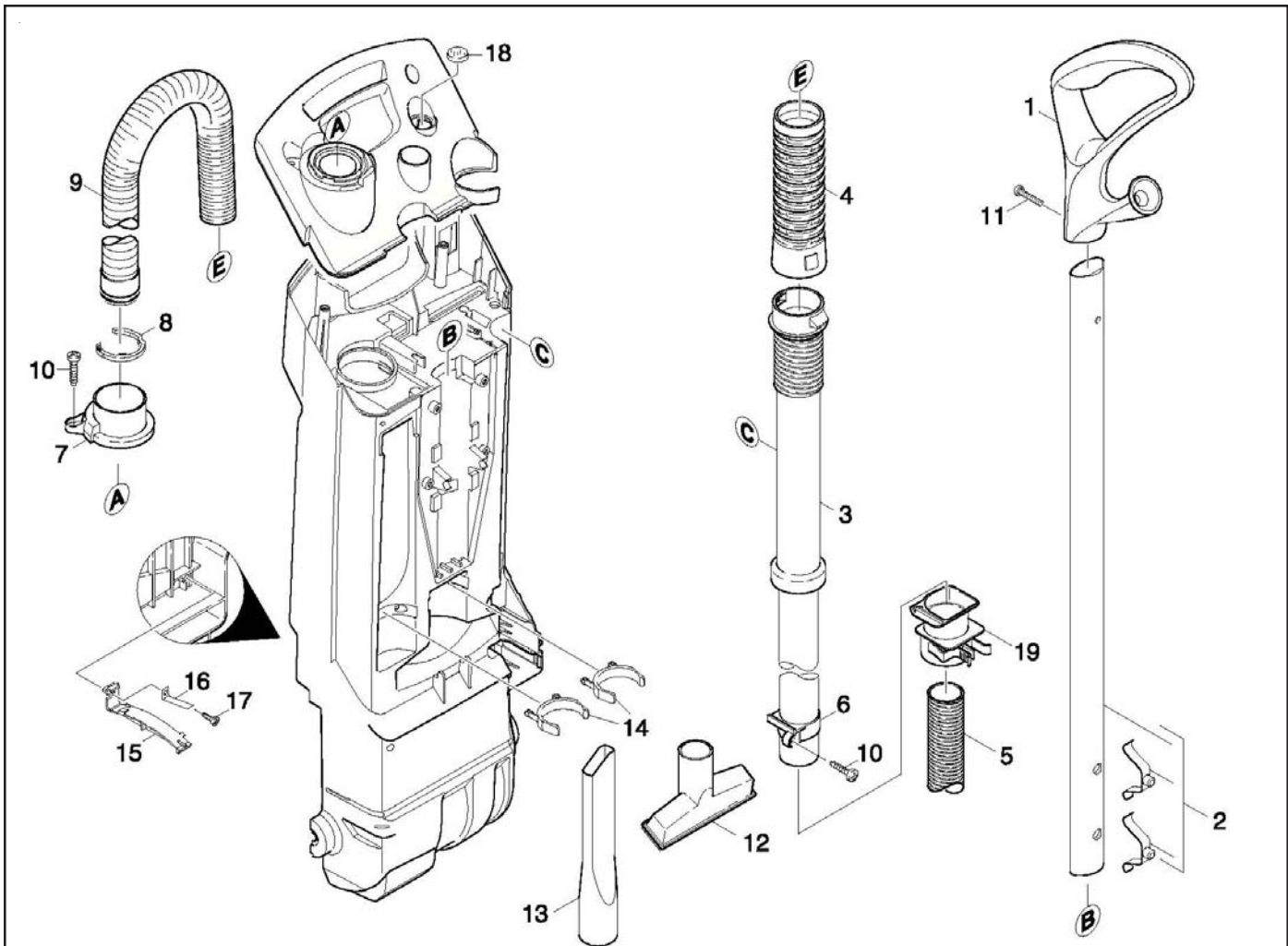


PARTS LIST
PACER 112 UE
PACER 115 UE

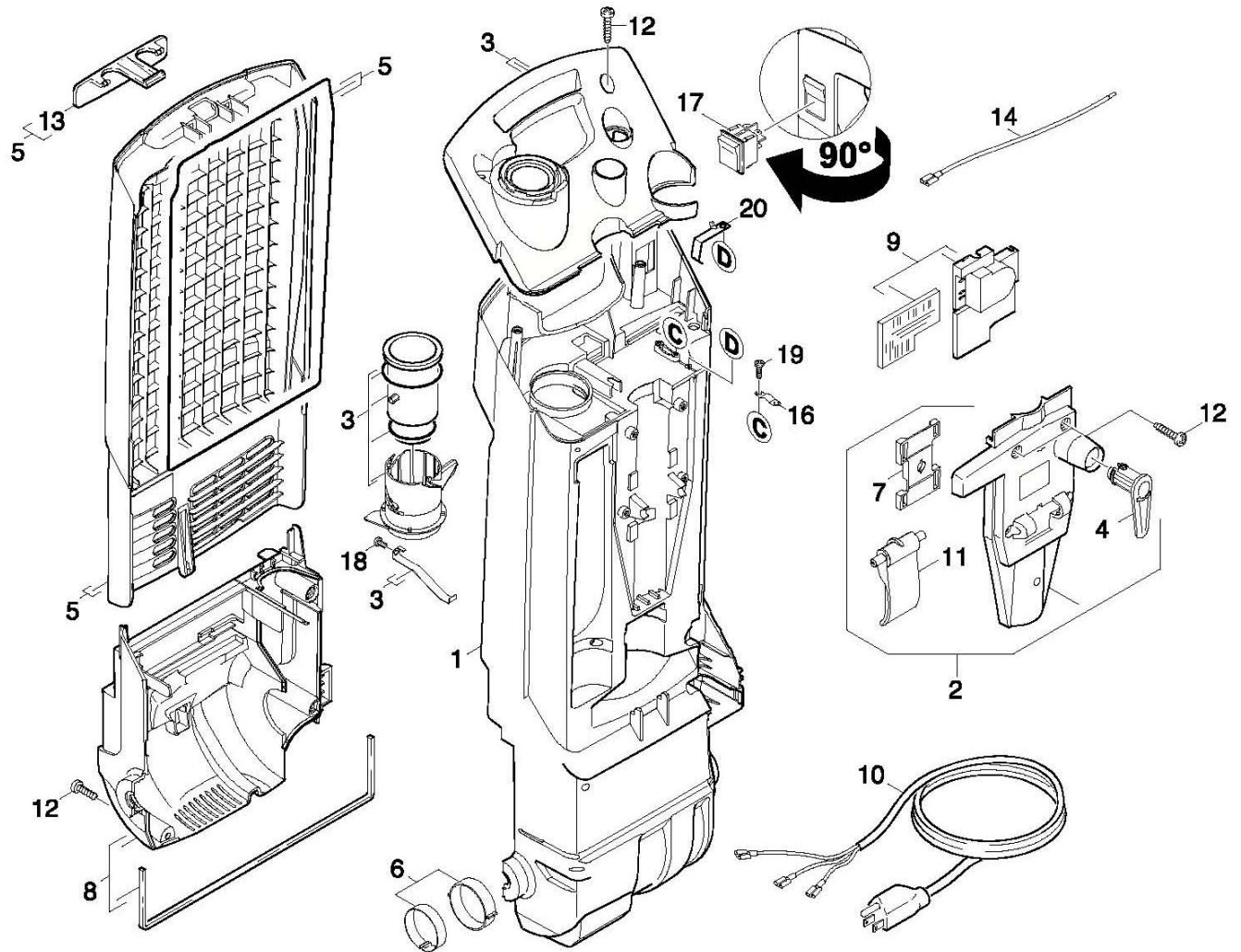


HOUSING - EXTERNAL



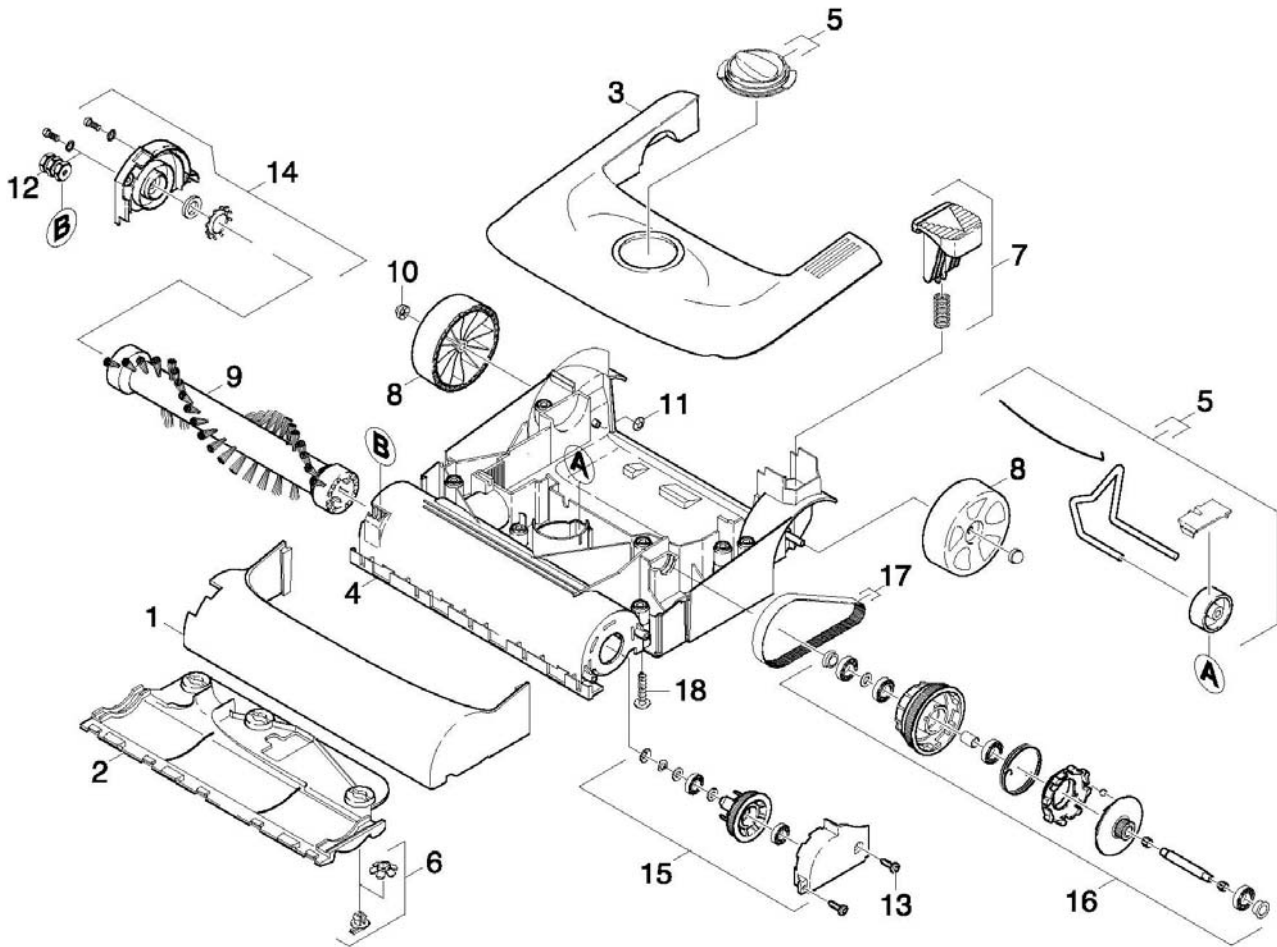
<u>ITEM</u>	<u>PART NO.</u>	<u>PART DESCRIPTION</u>	<u>QTY.</u>
1	7190311	HANDLE COMPLETE	1
2	7190101	TUBE - HANDLE WITH HARDWARE	1
3	7190301	SUCTION TUBE	1
4	7190331	RUBBER SLEEVE	1
5	7190401	VACUUM HOSE COMPLETE INCLUDES:	1
	7190581	VACUUM HOSE ONLY	1
19	7190591	BUSHING	1
6	7190361	RING	1
7	7190211	CONNECTION PIECE	1
8	6890011	RETAINING SPRING	1
9	7190391	SUCTION HOSE	1
10	7190541	5 X 20 SCREW	2
11	7190551	5 X 40 SCREW	1
12	6890251	UPHOLSTERY NOZZLE	1
13	7190491	CREVICE TOOL	1
14	7190231	CLIP	2
15	6890141	BRACKET	1
16	6890151	SPRING	1
17	7190531	4 X 12 SCREW	1
18	7292231	LENS	1

HOUSING - INTERNAL



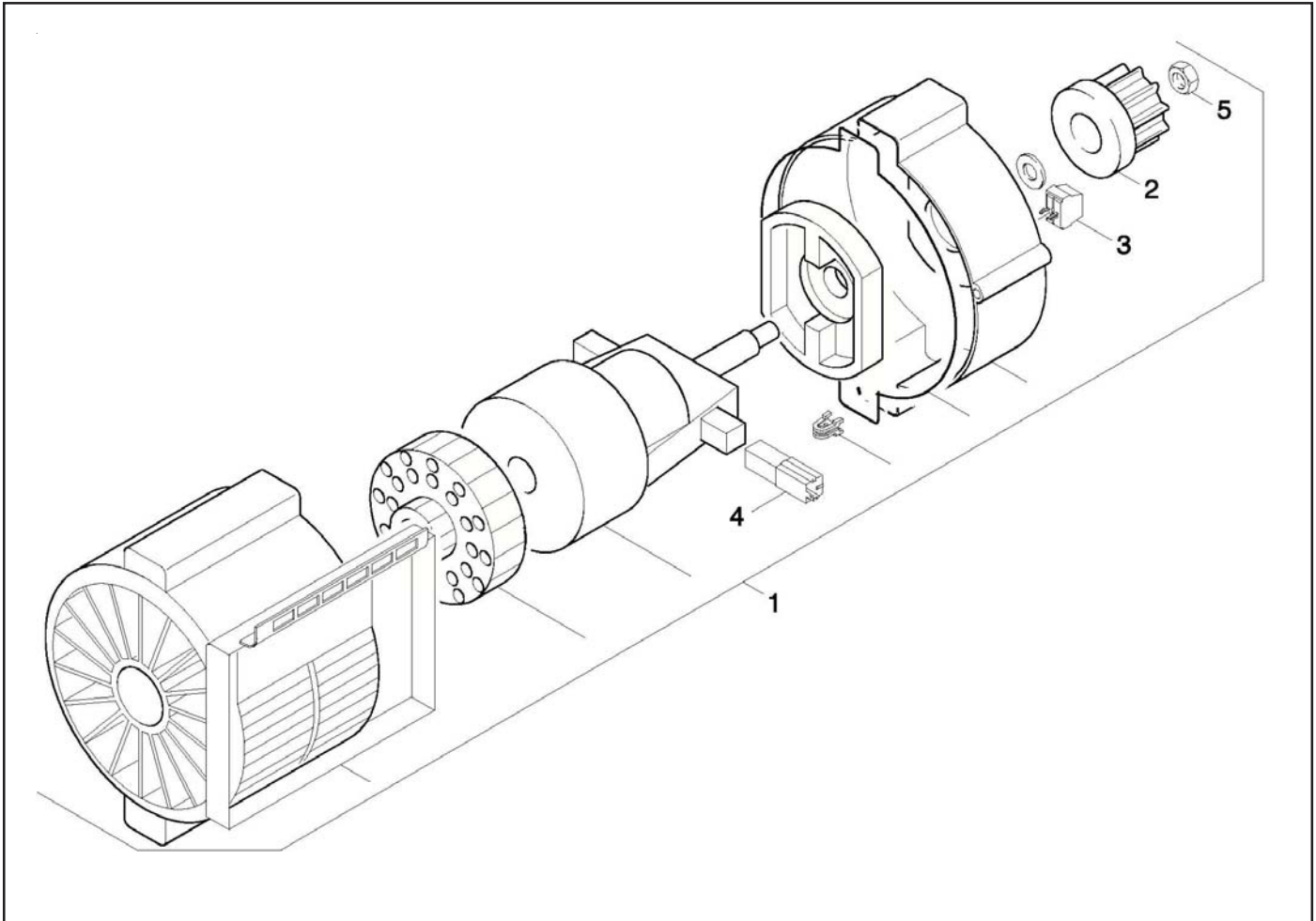
<u>ITEM</u>	<u>PART NO.</u>	<u>PART DESCRIPTION</u>	<u>QTY.</u>
1	7190271	HOUSING	1
2	7190041	COVERING CAP LATCH ASSEMBLY - INCLUDES:	1
4	7190241	CATCH FOR CABLE	1
7	7190201	CLAMP	1
11	7190341	HANDLE RELEASE LEVER	1
12	7190541	5 X 20 SCREW	9
3	7190031	COVERING CAP COMPLETE	1
5	7190091	COVER - COMPLETE	1
6	7190111	BEARING SHELL - SET OF 2	1
8	7190051	MOTOR COVER - COMPLETE	1
9	7190161	CIRCUIT BOARD	1
10	7190151	POWER CABLE	1
13	7190291	LEVER - COVER	1
14	7190171	ELECTRICAL WIRE	1
16	6890341	CABLE CLIP	1
17	7190441	ROCKER SWITCH	1
18	7190531	4 X 12 SCREW	1
19	7190521	3.5 X 12 SCREW	2
20	7190221	SPRING	1

BRUSH HEAD



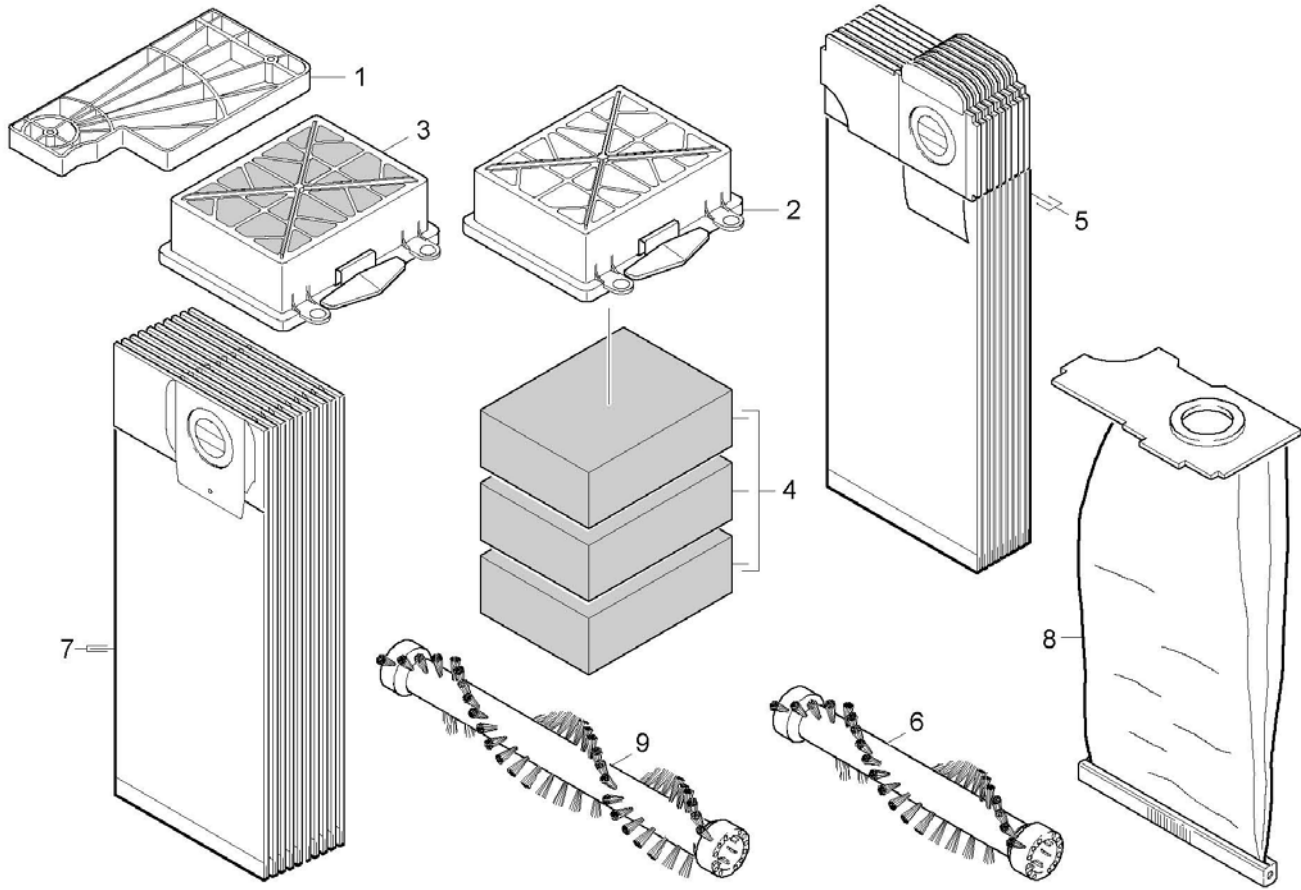
<u>ITEM</u>	<u>PART NO.</u>	<u>PART DESCRIPTION</u>	<u>QTY.</u>
1	7190191	BRUSH COVER - SHOCK ABSORBER - 112 UE ONLY	1
	7190181	BRUSH COVER - SHOCK ABSORBER - 115 UE ONLY	1
2	7190251	BRUSH SHOE - 112 UE ONLY	1
	7190601	BRUSH SHOE - 115 UE ONLY	1
3	7190281	TOP OF COVER - 112 UE ONLY	1
	7190611	TOP OF COVER - 115 UE ONLY	1
4	7190261	BOTTOM OF COVER - 112 UE ONLY	1
	7190621	BOTTOM OF COVER - 115 UE ONLY	1
5	7190141	ADJUSTING WHEEL ASSEMBLY	1
6	7190021	BRUSH SHOE LATCH	1
7	7190131	FOOT LEVER COMPLETE	1
8	7190351	WHEEL	2
9	7190501	ROLLER BRUSH - STANDARD - BLACK - SOFT - 112 UE ONLY	1
	7190631	ROLLER BRUSH - STANDARD - BLACK - SOFT - 115 UE ONLY	1
10	6891131	LOCK WASHER - OUTER WHEEL	2
11	7190381	LOCK WASHER - INNER WHEEL	2
12	7190571	SCREW UNION PART	2
13	7190531	4 X 12 SCREW	2
14	7190071	COVERING CAP - RIGHT - COMPLETE	1
15	7190081	COVERING CAP - LEFT - COMPLETE	1
16	7190121	COUPLER COMPLETE	1
17	7190011	REPLACEMENT BELT	1
18	7190541	5 X 20 SCREW	8

MOTOR



<u>ITEM</u>	<u>PART NO.</u>	<u>PART DESCRIPTION</u>	<u>QTY.</u>
1	7190061	MOTOR COMPLETE - 115 VOLT - INCLUDES:	1
2	7190321	PINION	1
3	6890561	STRIP TERMINAL	1
4	7190431	CARBON BRUSH SET	1
5	7190561	M 5 HEXAGON NUT	1

ACCESSORIES



<u>ITEM</u>	<u>PART NO.</u>	<u>PART DESCRIPTION</u>	<u>QTY.</u>
1	7190371	MOTOR PROTECTION FILTER	1
2	7190481	STANDARD FILTER	1
3	7190411	HEPA FILTER COMPLETE	1
4	7190421	FILTER - FOAM - EXHAUST FILTER	1
5	7190461	FILTER BAGS - PACK OF 10	1
6	7190511	ROLLER BRUSH - SPECIAL - RED - HARD - 112 UE ONLY	1
7	7190471	FLEECE FILTER BAG - PACK OF 10	1
8	7190451	CLOTH FILTER BAG - COTTON - 1 PER PACK	1
9	7190641	ROLLER BRUSH - SPECIAL - RED - HARD - 115 UE ONLY	1

NOTES



NSS ® Enterprises, Inc.

3115 Frenchmens Road, Toledo, Ohio 43607
PHONE (419) 531-2121 FAX (419) 531-3761

NSS ® Enterprises, Inc. European Distribution Centre
Unit II, Pinfold Trading Estate * 55 Nottingham Road
STAPLEFORD, NOTTINGHAM NG9 8AD ENGLAND U.K.
PHONE: (44) 0115 939 1568 * FAX: (44) 0115 949 0615