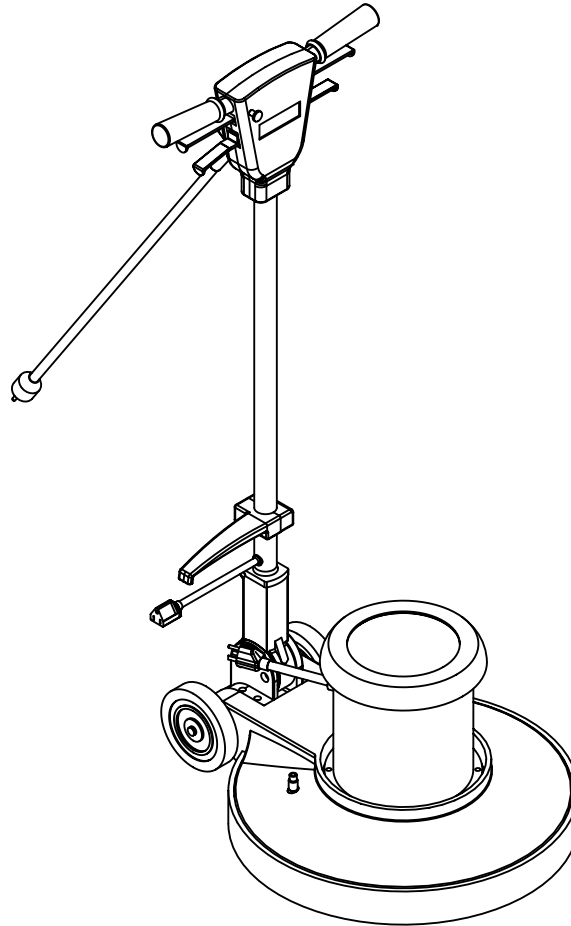


Pacesetter™ 170, 200

Pacesetter™ 170HD, 200HD



PARTS LIST

Advance MODELS 56107000(170), 56107002(200)

56107001(170HD), 56107003(200HD)

This manual is only for machines before serial #1737263.



Advance
by Nilfisk-Advance

4/02 revised 6/04 FORM NO. 56042431

REPLACEMENT PARTS KITS

Ref. No.	Qty	Description
56107121	A/R	Trigger Kit (All Models)
56107122	A/R	Wheel Kit (170 & 200)
56107140	A/R	Axle Kit (170 & 200)
56107123	A/R	Cord Hook Kit (170HD & 200HD)
56107137	A/R	Compression Handle Release Kit (170 & 200)
		Replaces previous kits 56107124-Compression Kit & 56107128-Cord Hook Kit.
56107125	A/R	Handle Pivot Kit (170HD & 200HD)
56107129	A/R	Wheel Kit (170HD & 200HD)
56107141	A/R	Axle Kit (170HD & 200HD)
56107130	A/R	Pivot Kit (170 & 200)
56107120	A/R	Hardware Kit (All Models)
		Contents of Kit
NA	1	Screw,M6x10mm
NA	4	Screw,M5x12mm,Ss,Ph
NA	2	Screw,M6x25mm Ss
NA	2	Screw,M6x40mm
NA	2	Screw,M3x25mm
NA	2	Screw,M4x12mm
NA	5	Nut,M6, Nylon Insert
NA	4	Nut,M4
NA	6	Screw,M6x35mm
NA	1	Nut,M4, Nylon Insert
NA	1	Washer,Flat M4.2x16x1.5
NA	1	Screw,M6x25mm
NA	4	Screw,M6x30mm
NA	4	Screw,St5x20mm
NA	5	Screw,M5x16mm, Ss,Ph
NA	2	Washer,Flat M5x16x1
NA	4	Washer,Flat M8x20x2
NA	4	Washer,Lock M8
NA	4	Screw,M8x30mm
NA	4	Washer,Flat M13.5x32x1.5
NA	2	Washer,Wave
NA	2	Ring,Retaining
NA	3	Nut,M8, Nylon Insert
NA	4	Washer,Flat M6x16x1.5
NA	3	Screw,M8x60mm, Hex Socket
NA	2	Washer 6.2x22x1.5
NA	2	Screw M6x12.7 Hex Socket
NA	1	Nut, Nylon Insert M10
NA	1	Washer, 10x20x2.5
NA	1	Hex Screw, M8x55
NA	1	Hex Socket Screw M5x38
NA	2	Hex Socket Screw M5x25
NA	2	Hex Socket Screw M5x20

DESCRIPTION	PAGE
Handle Assembly (170 / 200)	2-3
Handle Assembly (170HD / 200HD).....	4-5
Base Assembly (170 / 200)	6-7
Wiring Diagram (170 / 200)	7
Base Assembly (170HD / 200HD)	8-9
Wiring Diagram (170HD / 200HD)	9
Solution Tank Kit	10-11

WHEN ORDERING PARTS

- * Use the 8 digit numbers from the "Ref. No." columns in this parts list.
- * Specify the model and serial number of the machine.
- * Use the space below to record the model and serial number for future reference.

Model _____ Serial No. _____

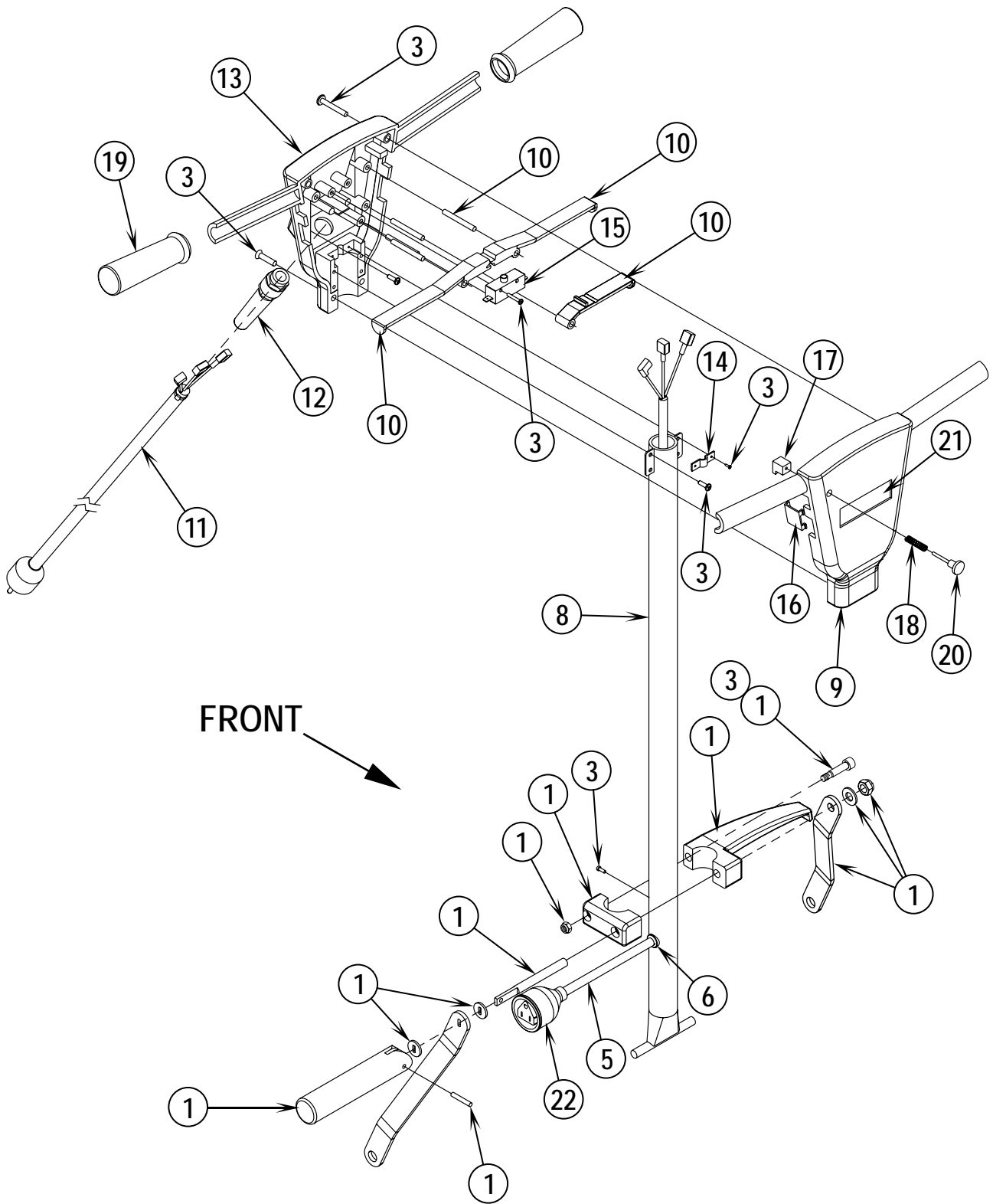
HANDLE ASSEMBLY (170 / 200)

02-4

2

Pacesetter™ 170, 200 / 170HD, 200HD

04-5



02-4	HANDLE ASSEMBLY (170 / 200)		
04-6	Pacesetter™ 170, 200 / 170HD, 200HD		3

Item	Ref. No.	Qty	Description
1	56107137	1	Compression Handle Release Kit (kit includes) NOTE #1
	NA	1	Rod, Compression
	NA	1	Pin
	NA	1	Hook, Cable
	NA	1	Bracket, Handle, Left
	NA	1	Bracket, Handle, Right
	NA	1	Compression Lever
	NA	2	Washer, Flat
	NA	1	Nut, Nylon Insert M10
	NA	1	Washer, 2.5 x 10 x 20
	NA	1	Bolt, M8 x 55
	NA	1	Nut, Nylon Insert M8
	NA	2	Ring, Retaining NOTE #2
	NA	1	Cover, Hook
3	56107120	1	Hardware Kit (refer to inside front cover for kit contents)
5	56107016	1	Cord, Handle
6	56107017	1	Grommet
8	56107024	1	Tube
9	56107025	1	Front Cover
10	56107121	1	Trigger Kit (kit includes)
	NA	1	Lever, Solution
	NA	3	Pin
	NA	1	Lever, Switch Left
	NA	1	Lever, Switch Right
11	56107029	1	Cord, Power Supply
12	56107030	1	Strain Relief, Cord
13	56107031	1	Rear Cover
14	56107088	1	Flange
15	56107035	1	Switch Assembly
16	56107090	1	Plug
17	56107041	1	Block
18	56107042	1	Spring, Button
19	56107043	2	Grip, Handle
20	56107044	1	Push Button
21	56015105	1	Decal, Advance
22	56107131	1	Plug Protector, Large Female

NOTE #1: Compression Handle Release Kit 56107137 replaces two previous kits (56107124-Compression Kit & 56107128-Cord Hook Kit)

NOTE #2: Retaining Rings only used before serial #1717668. This item is shown on the Base Assembly (170 / 200) page.

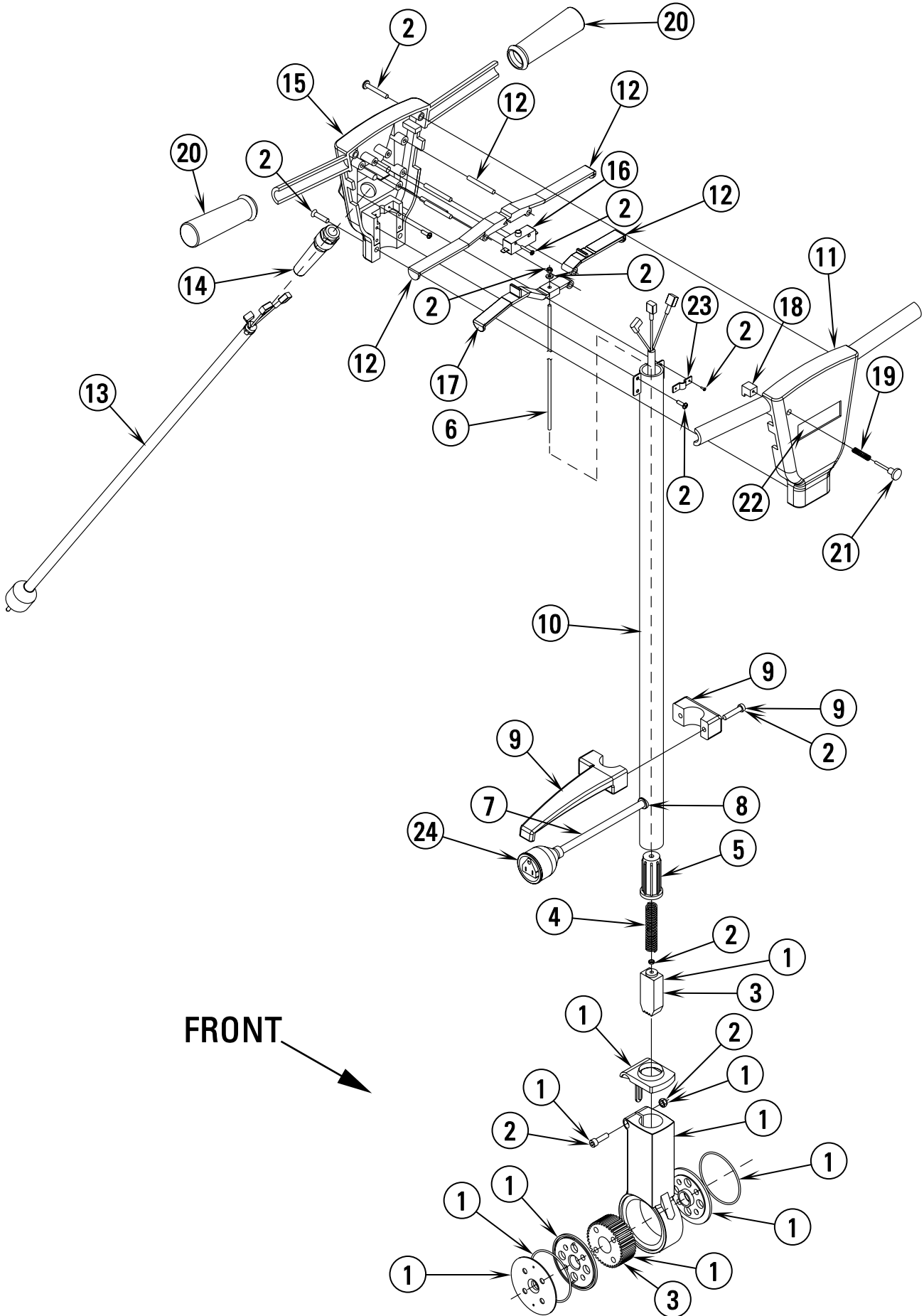
HANDLE ASSEMBLY (170HD / 200HD)

02-4

4

Pacesetter™ 170, 200 / 170HD, 200HD

03-5



02-4	HANDLE ASSEMBLY (170HD / 200HD)		
04-6	Pacesetter™ 170, 200 / 170HD, 200HD		5

Item	Ref. No.	Qty	Description
1	56107125	1	Handle Pivot Kit (kit includes)
	NA	1	Cover
	NA	2	O-Ring, Gear Seat
	NA	2	Washer, Nylon
	NA	1	Seat, Gear
	NA	1	Gear
	NA	1	Nut, M6
	NA	1	Seal, Gear Seat
	NA	1	Screw, M6 x 25mm
	NA	1	Mounting Base, Gear Seat (shown on Base Assembly (170HD / 200HD) page)
	NA	1	Leveling Insert
2	56107120	1	Hardware Kit (refer to inside front cover for kit contents)
3	56107136	1	Ratchet Replacement Kit w/ Instruction Sheet (kit includes) TSBUS2003-846
	NA	1	Gear
	NA	1	Leveling Insert
4	56107013	1	Spring, Leveling
5	56107014	1	Retainer
6	56107015	1	Rod, Leveling
7	56107016	1	Cord, Handle
8	56107017	1	Grommet
9	56107123	1	Cord Hook Kit (kit includes)
	NA	2	Scr, M6 x 35mm
	NA	1	Cover, Hook
	NA	1	Hook, Cable
10	56107021	1	Tube
11	56107025	1	Front Cover
12	56107121	1	Trigger Kit (kit includes)
	NA	1	Lever, Solution
	NA	4	Pin
	NA	1	Lever, Switch Left
	NA	1	Lever, Switch Right
13	56107029	1	Cord, Power Supply
14	56107030	1	Strain Relief, Cord
15	56107031	1	Rear Cover
16	56107035	1	Switch Assembly
17	56107040	1	Leveling Rod
18	56107041	1	Block
19	56107042	1	Spring, Button
20	56107043	2	Grip, Handle
21	56107044	1	Push Button
22	56015105	1	Decal, Advance
23	56107088	1	Flange
24	56107131	1	Plug Protector, Large Female

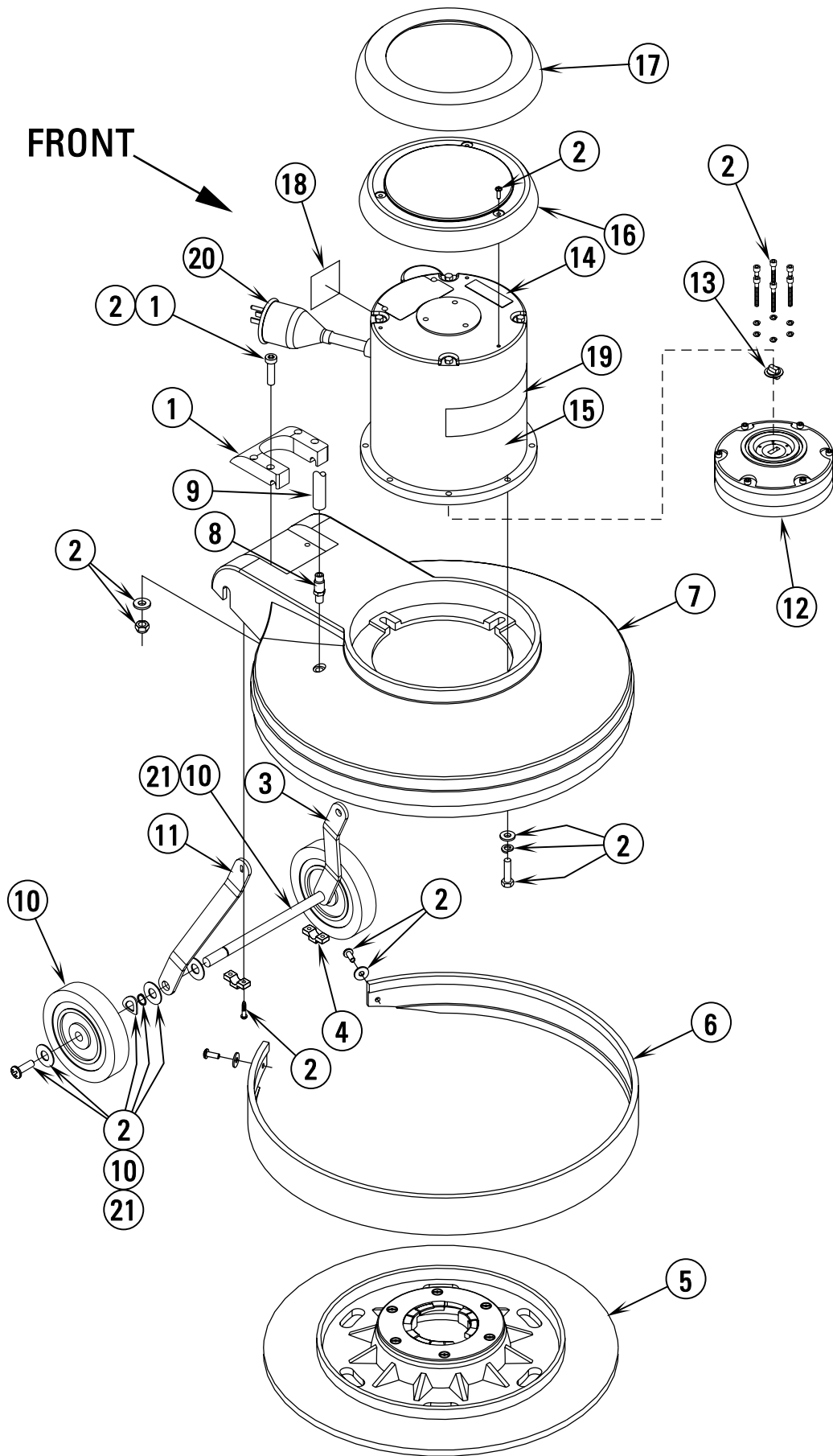
BASE ASSEMBLY (170 / 200)

02-4

6

Pacesetter™ 170, 200 / 170HD, 200HD

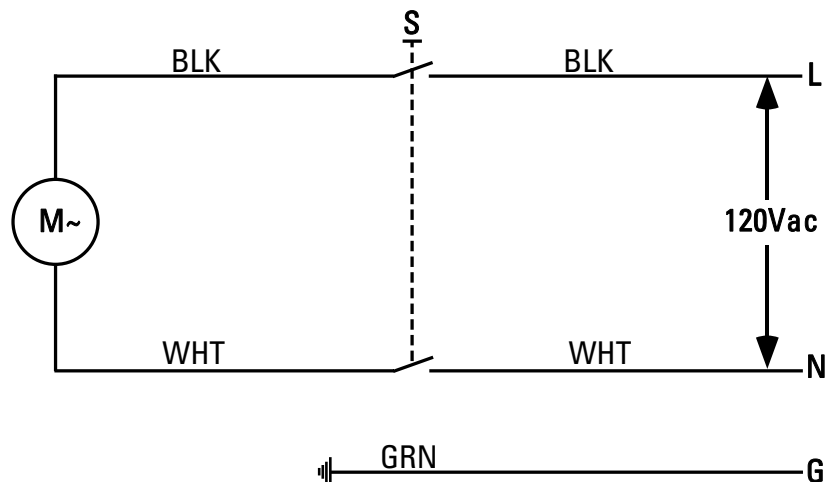
04-5



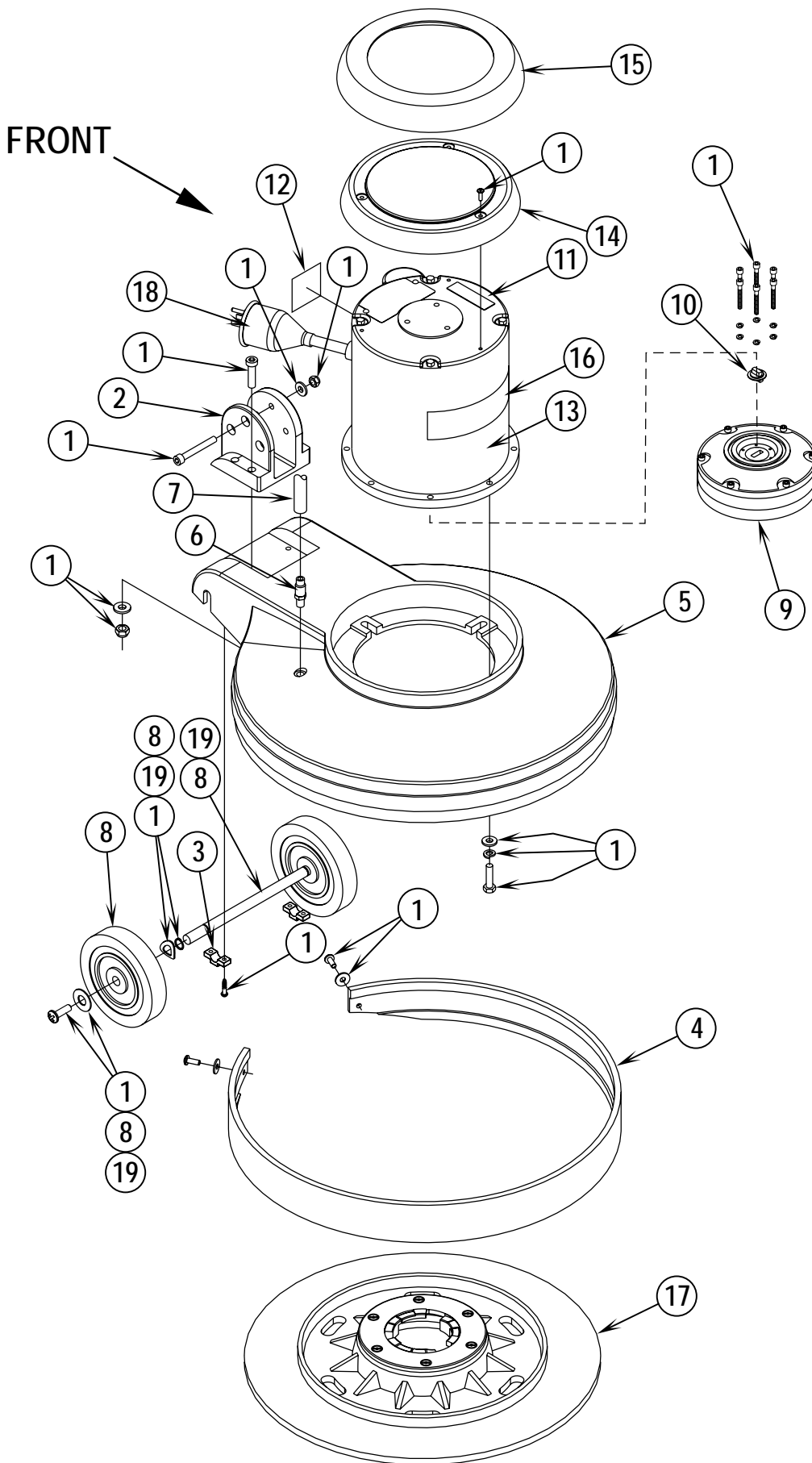
Item	Ref. No.	Qty	Description	Item	Ref. No.	Qty	Description
1	56107130	1	Pivot Kit (kit includes)	21	56107140	1	Axle Kit (kit includes)
	NA	4	Scr, M6 x 30mm		NA	2	Ring, Retaining 12mm
	NA	1	Plate, Handle Guide		NA	4	Washer, Flat M13
2	56107120	1	Hardware Kit (refer to inside front cover for kit contents)		NA	1	Axle
3	NA	1	See Compression Handle Release Kit		NA	2	Washer 6.2 x 22 x 1.5
4	56107049	2	Clamp, Block Axle		NA	2	Screw, M6 x 12.7 Hex Socket
5	56649350	1	Mighty-Lok Short Trim Pad Holder, 17"		NA	2	Wsh, Wave 12mm
	56649351	1	Mighty-Lok Short Trim Pad Holder, 20"	**	56505910	1	Short-Trim Pad Holder 17
6	56107059	1	Bumper, 17"	**	56505270	1	Level-Set Pad Holder 17
	56107060	1	Bumper, 20"	**	56505915	1	ProLite™ Brush 17
7	56107061	1	Frame, 17"	**	56505914	1	Prolene Brush 17
	56107062	1	Frame, 20"	**	56505911	1	MagnaGrit™ 46 Brush 17
8	56107063	1	Barb, Hose	**	56505912	1	DynaGrit™ 80 Brush 17
9	56107064	1	Hose, Solution	**	56505918	1	MidLite Grit™ 180 Brush 17
10	56107122	1	Wheel Kit (kit includes)	**	56505917	1	MidGrit™ 240 Brush 17
	NA	2	Wheel, 5"	**	56505913	1	AgLite™ 500 Brush 17
	NA	2	Ring, Retaining 12mm	**	56505916	1	Union Mix Brush 17
	NA	4	Washer, Flat M13	**	56505539	1	Soft-Touch™ Shampoo Brush 17
	NA	1	Axle	**	56505920	1	Short-Trim Pad Holder 20
	NA	2	Washer 6.2 x 22 x 1.5	**	56505280	1	Level-Set Pad Holder 20
	NA	2	Screw, M6 x 12.7 Hex Socket	**	56505925	1	ProLite™ Brush 20
	NA	2	Wsh, Wave 12mm	**	56505924	1	Prolene Brush 20
11	NA	1	See Compression Handle Release Kit	**	56505921	1	MagnaGrit™ 46 Brush 20
12	56107071	1	Gearbox TSBUS2003-844	**	56505922	1	DynaGrit™ 80 Brush 20
13	56107072	1	Coupling	**	56505928	1	MidLite Grit™ 180 Brush 20
14	56107073	1	Motor, 1.25HP TSBUS2003-844	**	56505927	1	MidGrit™ 240 Brush 20
*	56171160	1	Capacitor, Start	**	56505923	1	AgLite™ 500 Brush 20
*	56107134	1	Rotary Switch	**	56505926	1	Union Mix Brush 20
*	56107135	1	Stationary Switch	**	56505540	1	Soft-Touch™ Shampoo Brush 20
15	56107076	1	Label, Motor	**	56506006	A/R	NP-92 Clutch Plate for Above Brushes
16	56107077	1	Top Cover, Motor	**	56393567	A/R	"Big Mouth" Pad Retainer
17	56107079	1	Bumper, Top Cover				
18	56107075	1	Label, Read Manual				
19	56015067	1	Decal, Pacesetter 170				
	56015091	1	Decal, Pacesetter 200				
20	56107132	1	Plug Protector, Small Male				

* = Not Shown
 ** = Optional

NOTE: Pad Holders and Brushes come complete with Industry Standard NP-92 Clutch Plate.



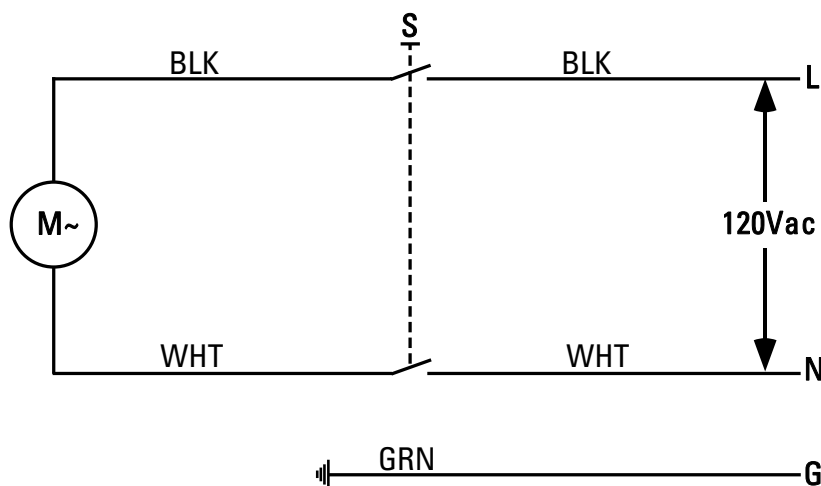
Item	Ref. No.	Qty	Description
S	56107035	1	Switch Assembly
M	56107073	1	Motor, 1.25HP
*	56171160	1	Capacitor, Start



Item	Ref. No.	Qty	Description	Item	Ref. No.	Qty	Description
1	56107120	1	Hardware Kit (refer to inside front cover for kit contents)	19	56107141	1	Axle Kit (kit includes)
2	56107125	1	Mounting Base, Gear (Handle Pivot Kit)		NA	1	Axle
3	56107049	2	Clamp, Block Axle		NA	2	Wsh, Wave 12mm
4	56107059	1	Bumper, 17"		NA	2	Ring, Retaining 12mm
	56107060	1	Bumper, 20"		NA	2	Washer 6.2 x 22 x 1.5
5	56107061	1	Frame, 17"		NA	2	Screw, M6 x 12.7 Hex Socket
	56107062	1	Frame, 20"	**	56505910	1	Short-Trim Pad Holder 17
6	56107063	1	Barb, Hose	**	56505270	1	Level-Set Pad Holder 17
7	56107064	1	Hose, Solution	**	56505915	1	ProLite™ Brush 17
8	56107129	1	Wheel Kit (kit includes)	**	56505914	1	Prolene Brush 17
	NA	1	Axle	**	56505911	1	MagnaGrit™ 46 Brush 17
	NA	2	Wsh, Wave 12mm	**	56505912	1	DynaGrit™ 80 Brush 17
	NA	2	Wheel, 5"	**	56505918	1	MidLite Grit™ 180 Brush 17
	NA	2	Ring, Retaining 12mm	**	56505917	1	MidGrit™ 240 Brush 17
	NA	2	Washer 6.2 x 22 x 1.5	**	56505913	1	AgLite™ 500 Brush 17
	NA	2	Screw, M6 x 12.7 Hex Socket	**	56505916	1	Union Mix Brush 17
9	56107071	1	Gearbox TSBUS2003-844	**	56505539	1	Soft-Touch™ Shampoo Brush 17
10	56107072	1	Coupling	**	56505920	1	Short-Trim Pad Holder 20
11	56107074	1	Motor, 1.75HP TSBUS2003-844	**	56505280	1	Level-Set Pad Holder 20
*	56107139	1	Capacitor, Run	**	56505925	1	ProLite™ Brush 20
*	56171160	1	Capacitor, Start	**	56505924	1	Prolene Brush 20
*	56107134	1	Rotary Switch	**	56505921	1	MagnaGrit™ 46 Brush 20
*	56107135	1	Stationary Switch	**	56505922	1	DynaGrit™ 80 Brush 20
12	56107075	1	Label, Read Manual	**	56505928	1	MidLite Grit™ 180 Brush 20
13	56107076	1	Label, Motor	**	56505927	1	MidGrit™ 240 Brush 20
14	56107077	1	Top Cover, Motor	**	56505923	1	AgLite™ 500 Brush 20
15	56107079	1	Bumper, Top Cover	**	56505926	1	Union Mix Brush 20
16	56015082	1	Decal, Pacesetter 170HD	**	56505540	1	Soft-Touch™ Shampoo Brush 20
	56015102	1	Decal, Pacesetter 200HD	**	56506006	A/R	NP-92 Clutch Plate for Above Brushes
17	56649350	1	Mighty-Lok Short Trim Pad Holder, 17"	**	56393567	A/R	"Big Mouth" Pad Retainer
	56649351	1	Mighty-Lok Short Trim Pad Holder, 20"				
18	56107132	1	Plug Protector, Small Male				

* = Not Shown
** = Optional

NOTE: Pad Holders and Brushes come complete with Industry Standard NP-92 Clutch Plate.



Item	Ref. No.	Qty	Description
S	56107035	1	Switch Assembly
M	56107074	1	Motor, 1.75HP
*	56107139	1	Capacitor, Run
*	56171160	1	Capacitor, Start

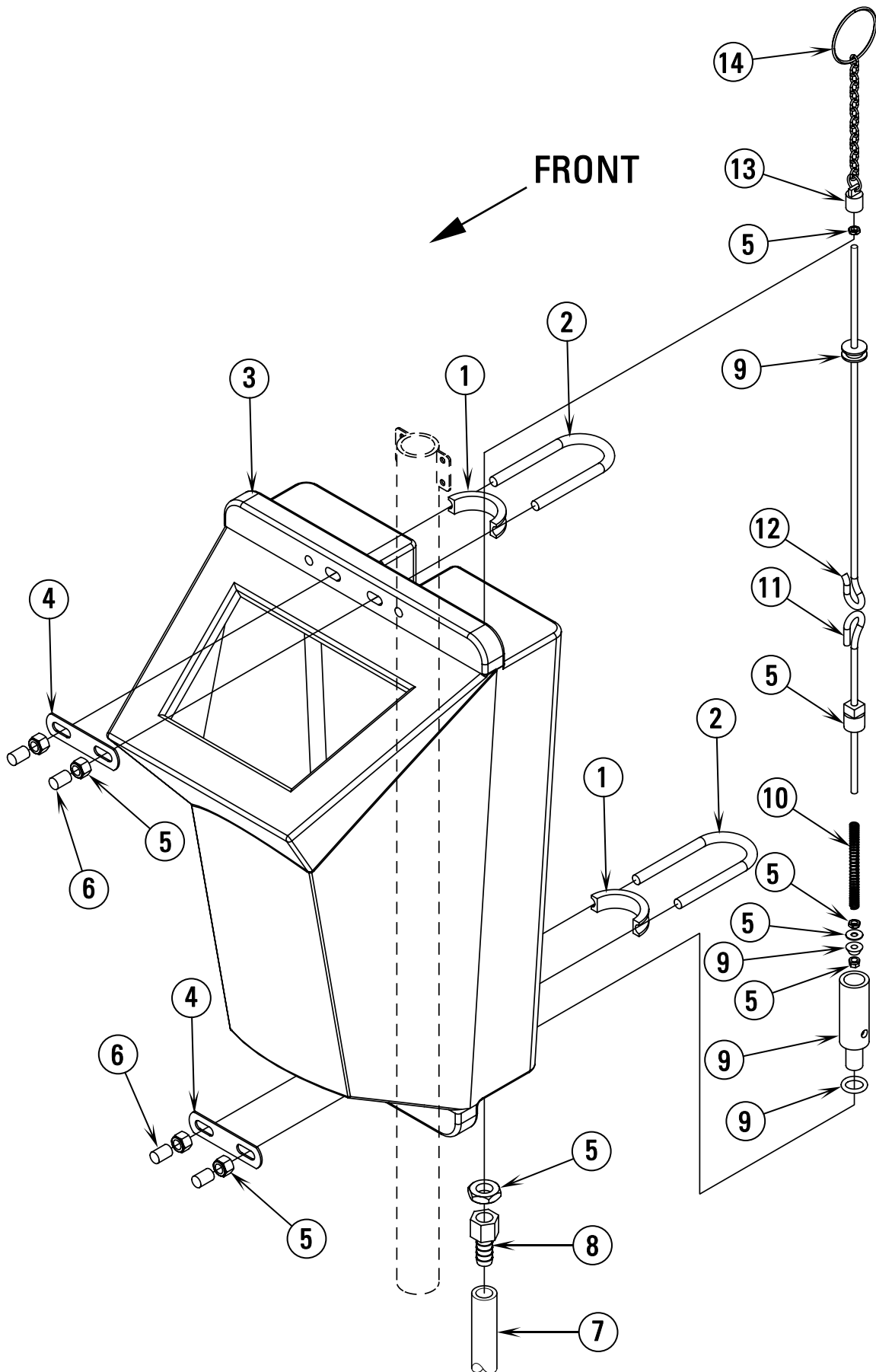
SOLUTION TANK KIT

02-4

10

Pacesetter™ 170, 200 / 170HD, 200HD

04-5



02-4

SOLUTION TANK KIT

03-5

Pacesetter™ 170, 200 / 170HD, 200HD**11**

Item	Ref. No.	Qty	Description
	56107100	1	Solution Tank Assembly
1	56107098	2	Gasket
2	56107099	2	Bolt, U Shaped
3	56107101	1	Solution Tank (5 gallon)
4	56107102	2	Clamp, Plate
5	56107126	1	Hardware Kit (kit includes)
	NA	4	Nut, M8
	NA	1	Nut, M14
	NA	1	Nut, M5
	NA	1	Washer, Flat M5
	NA	2	Nut, M5, Brass
	NA	1	Screw
6	56107104	4	Cap, Bolt
7	56107064	1	Hose, Solution
8	56107105	1	Barb, Hose
9	56107127	1	Seal Kit (kit includes)
	NA	1	O-Ring
	NA	1	Valve Body
	NA	1	Seal, Rubber
	NA	1	Seal, Tank
10	56107113	1	Spring
11	56107115	1	Lower Pulling Rod
12	56107116	1	Upper Pulling Rod
13	56107118	1	Seat, Chain
14	56107119	1	Chain



**Nilfisk
Advance**

setting standards

Nilfisk-Advance, Inc.
14600 21st Avenue North
Plymouth, MN 55447-3408
www.nilfisk-advance.com
Phone: 800-989-2235
Fax: 800-989-6566
©2004 Printed in the U.S.A.