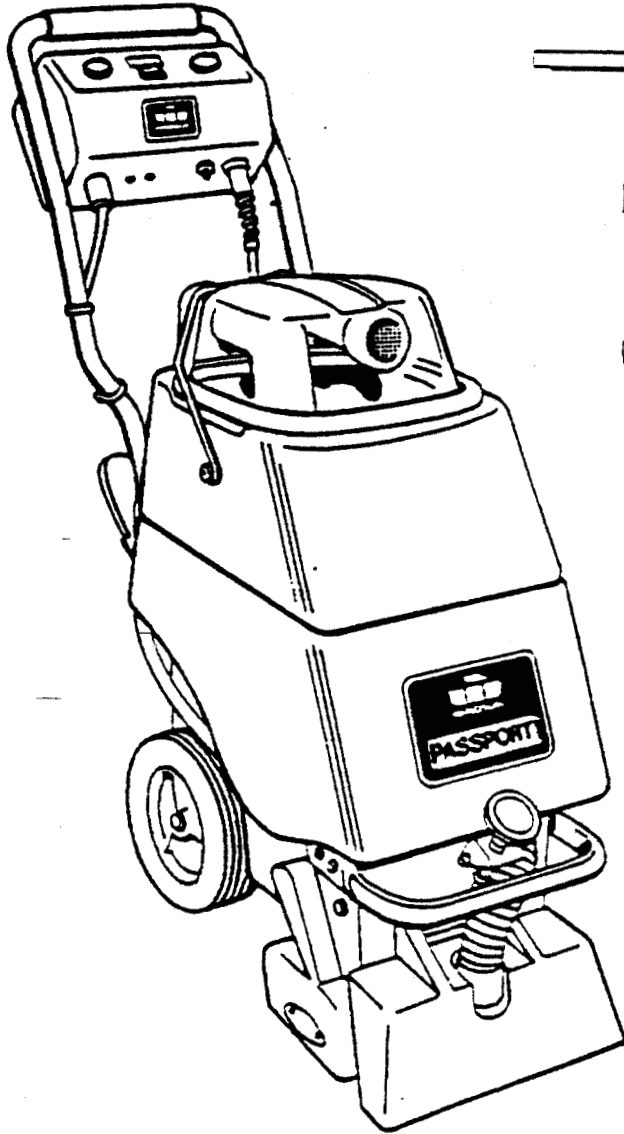




PASSPORTTM

CARPET EXTRACTOR

Owners Guide



■ OPERATION

■ SERVICE

■ CARE



CONTENTS:

- | | | | |
|---|-----------------------------------|----|---|
| 2 | <i>Safety Instructions</i> | 8 | <i>Vac Motor / Frame Assembly</i> |
| 3 | <i>Grounding Instructions</i> | 9 | <i>Control Panel / Handle Assembly</i> |
| 4 | <i>Operating the Extractor</i> | 10 | <i>Vac Shoe Assembly</i> |
| 5 | <i>Operations and Maintenance</i> | 11 | <i>Pump / Valve / Manifold Assembly</i> |
| 6 | <i>Model Variation Chan</i> | 12 | <i>Tank Assemblies</i> |
| 7 | <i>Brush Drive Assembly</i> | 13 | <i>Wiring Diagrams</i> |



WINDSOR[®] INDUSTRIES, INC. 1351 W. Stanford Ave, Englewood CO 80110 USA • 303-762-1800 • FAX 303-762-0817

IMPORTANT SAFETY INSTRUCTIONS

When using an electrical appliance, basic precaution must always **be** followed, including the following:

READ ALL INSTRUCTIONS BEFORE USING THIS MACHINE.

This machine **is** for commercial use.



WARNING: To reduce the risk of fire, electric shock, or injury:

1. Do not operate without filters (**dry** or wet) in place.
2. **Use** only as described in this manual. **Use** only manufacturer's recommended attachments.
3. **Use indoors** only. Do not use outdoors and do not expose to rain.
4. Machine can cause a fire when operating near flammable vapors or materials. **Do not** operate this machine near flammable fluids, dust or vapors.
5. Do not pick up flammable fluids, dust or vapors.
6. Do not vacuum anything that **is** burning or smoking, such as cigarettes, matches, or hot ashes.
7. Do not handle the plug or machine with wet hands.
8. Do not leave the machine unattended. Unplug machine from outlet when in use and before servicing.
9. Do not leave the machine unattended. Unplug machine from outlet when not in **use** and before servicing.
10. Do **not** unplug machine by pulling on cord. To unplug, grasp the plug, not the cord.
11. Do not use with damaged cord or plug. Follow all instructions in this manual concerning grounding the machine.
12. If the machine **is** not working **properly**, has been dropped, damaged, left outdoors, or dropped into water, return it to an Authorized service center.
13. Do not pull or carry by cord, use cord as a handle, close a door on cord, or pull cord around sharp edges or corners.
14. Do not pull/run machine over cord. **Keep** cord away from heated surfaces.
15. Do not allow to be used as a toy. **Close attention is** necessary when used by or near children.
16. Do not operate machine with any openings blocked. Keep openings free of debris that may reduce **airflow**.
17. **Keep** hair, loose clothing, fingers, and all parts of the body away from openings and moving parts.
18. **Use** extra caution when cleaning on stairs.
19. Do not use machine as a step.
20. Connect to a **properly** grounded outlet. See Grounding Instructions.
21. Maintenance and repairs **must be** done by qualified personnel.
22. Rotating fan blades inside the cover. Before opening cover, switch off machine. Wait until the fan/brush stops completely or dust and debris may be ejected.

SAVE THESE INSTRUCTIONS

INSPECTION

Carefully unpack and inspect your extractor for shipping damage. Each unit is operated and thoroughly inspected before shipping, and any damage is the responsibility of the carrier, who should be notified immediately.

ELECTRICAL

This extractor operates on a standard 15 amp 115 volt AC circuit. *Voltages below 105 volts or above 125 volts could cause serious damage to motors. Wiring diagram is mounted inside handle control panel of machine. *Special voltage models available.

WARNING: To avoid electric shock:

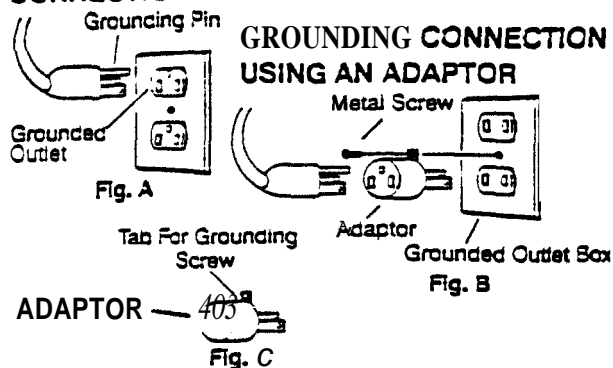
1. Use indoors only.
2. To reduce risk of fire, do not use volatile substances.
3. Use only cleaners intended for carpet application.

GROUNDING INSTRUCTIONS:

This appliance must be grounded. If it should malfunction or break down, grounding provides a path of least resistance for electric current to reduce the risk of electric shock. This appliance is equipped with a cord having an equipment-grounding conductor and grounding plug. The plug must be inserted into an appropriate outlet that is properly installed and grounded in accordance with all local codes and ordinances.

This appliance is for use on a nominal 120-volt circuit, and has a grounded plug that looks like the plug in "Fig. A". A temporary adaptor that looks like the adaptor in "Fig. C" may be used to connect this plug to a 2-pole receptacle as shown in "Fig. B", if a properly grounded outlet is not available. The temporary adaptor should be used only until a properly grounded outlet (Fig. A) can be installed by a qualified electrician. The green colored rigid ear, lug, or the like extending from the adaptor must be connected to a permanent ground such as a properly grounded outlet box cover. Whenever the adaptor is used, it must be held in place by a metal screw.

PROPER GROUNDING CONNECTION



NOTE: In Canada, the use of a temporary adaptor is not permitted by the Canadian Electrical Code

NOTE: Au Canada, l'utilisation d'un adaptateur temporaire n'est pas autorisée par le Code canadien de l'électricité.

EXTENSION CORDS

If an extension cord is used, the wire size must be at least one size larger than the power cord on the machine. The machine is equipped with a 50 ft. 14/3 power cord.

Improper connection of the equipment-grounding conductor can result in a risk of electric shock. Check with a qualified electrician or service person if you are in doubt as to whether the outlet is properly grounded. Do not modify the plug provided with Weappliance—if it will not fit the outlet, have a proper outlet installed by a qualified electrician.

RUN THE PASSPORT

1. Remove clear dome from upper tank. Do not remove the two vacuum hoses. NOTE: Dome can be set securely between handle uprights when the handle is in operating position.
2. Lift upper recovery tank from machine and set aside.
3. Use a clean bucket to fill solution tank with hot water. Add a non-foaming concentrate for use in hot water extractors at the proportions noted on the container.

CAUTION

To avoid possible distortion of polyethylene solution/recovery tanks, DO NOT USE WATER TEMPERATURE THAT EXCEEDS 140° F (60° C).

NOTE: Make sure dome is seated correctly to ensure proper vacuum seal.

CAUTION:

Use only the suitable chemicals listed below. Using incompatible chemicals will damage the machine. Damages of this type are not covered under warranty. Carefully read ingredients on manufacturer's label before using any product in this machine.

SUITABLE CHEMICALS

Alkalis
Clorox II Bleach*
Defoaming Agents
Detergents
Hydroxides
Oxygen Bleaches
Soaps
Sta-Puf Fabric Softener*
Vinegar
White Monday Bleach*

INCOMPATIBLE CHEMICALS

Aldehydes
Aromatic Hydrocarbons
Butyls
Carbon Tetrachloride
Clorox*
Chlorinated Bleaches
Chlorinated Hydrocarbons
D-Limonene
Lysol*
Methyls (MEK)
Perchloroethylene (perc)
Phenols
Trichloroethylene

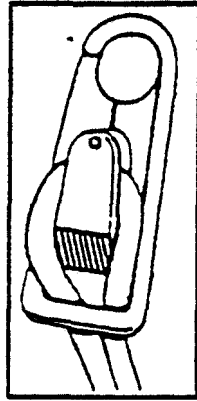
* Registered Trademark

OPERATING THE PASSPORT

NOTE: Vacuum the carpet and make sure it is cleared of surface debris before cleaning with the PASSPORT. Ventilate area after carpet has been cleaned. Keep children and pets away and do not walk on carpet until it is dry.

NOTE: Attach strain relief/cord retainer to the power cord.

1. Make a loop in power cord approximately 12" from twist lock receptacle end.
2. Slide cord loop through slot in retainer arm. Pull slack cord back through slot to secure. Attach retainer to handle.



Adjust brush height by turning knob at front of machine. Pointer on left side indicates carpet height.

LOW	—	1/4 inch
MED	—	1/2 inch
HIGH	—	1 inch

NOTE: Incorrect brush height may cause circuit breaker to trip. Raise brush and reset circuit breaker.

3. Turn solution valve to "CARPET CLEANING" position.
4. Plug power cord into a grounded wall outlet.

WARNING! Defeating the grounding pin on the power cord can result in a severe electrical shock.

5. Turn on the vacuum switch and brush switch.
6. Depress intermittent pump switch to dispense cleaning solution.

Pull machine backwards

Release pump switch about 12 inches before the end of each cleaning pass. This will ensure all cleaning solution is vacuumed from carpet.

CAUTION: While operating machine, check for excessive foam build-up in the recovery tank. If excessive foam is present, add a defoamer solution to recovery tank.

7. Empty recovery tank when approximately 3/4 full.

CAUTION: Do not use the recovery tank to fill the solution tank, unless it is CLEAN. Sediment in the recovery tank can damage the solution pump and clog the spray jets rendering the machine inoperable.

8. Ventilate area after carpet has been cleaned.

PROTECT FROM FREEZING

If it becomes necessary to store in temperatures that could drop below 40 F, the pumping system, hoses and valves must be protected from freezing with a methyl hydrate window washer antifreeze solution.

NOTE: Do not use ethylene glycol or cooling system antifreezes.

1. Add a gallon or two of window washer antifreeze to the supply tank, turn on pump switch and spray until the antifreeze solution fills the solution lines.
2. Drain out the leftover antifreeze from the supply tank. Always allow the unit to reach room temperatures before filling with hot water or operating.

OPERATING THE PASSPORT WITH ACCESSORY TOOLS

The PASSPORT is easily adapted for use with the following Windsor accessory tools: DHT-UPH3-SW-SFW-SW/PRO

1. Turn solution valve to "Accessory Tool" position.
2. Remove recovery hose from dome and insert vacuum hose for accessory tool in its place.
3. Attach solution hose from accessory tool to brass solution Ripple on lower back of chassis.
4. Make sure that solution tank has cleaning solution and that recovery tank and dome are in place and ready for operation.
5. Switch on PASSPORTS Vacuum and Continuous switches only. Use accessory tools with and standard extractor.

WARNING: Do not switch on brush switch when operating the machine with accessory tools. Carpet damage may occur.

6. Make sure that the solution valve is returned to the "Carpet Spray" position before using the machine again for self-contained carpet cleaning.

DAILY / REGULAR MAINTENANCE.

WARNING: Before making any adjustments or repairs to the machine, disconnect the power cord from electrical source.

1. Empty unused cleaning solution from the solution tank.
2. Inspect and clean filter screen in solution tank.
3. Flush pumping system with 1 or 2 gallons of clean, hot water.
4. After each use, rinse tank with fresh water. Periodically inspect the recovery tank and decontaminate if necessary, using a Hospital Grade Virucide or a 1-10 bleach to water solution. Waste water should be disposed of properly.
5. Check for and remove any lint or debris around brush and vac shoe.
6. Check spray jets for full spray pattern.
7. Remove lint and dirt build-up from brush and housing.

NOTE: Always store machine with brush in "Store" position.

PERIODIC MAINTENANCE

Twice a month, flush a white vinegar solution (One quart vinegar to two gallons of water) or mu-browning solution (mixed as directed) through the extractor. This will prevent build-up of alkaline residue in the system.

If spray jets become clogged, remove the spray tips, wash them thoroughly, and blow dry.

NOTE: Do not use pins, wire, etc. to clean nozzles as this could destroy spray pattern.

If spray jets drip after the pump is turned off, solenoid valve may need to be cleaned.

Apply silicone lubricant to solution ripple.


Periodically inspect all hoses, electrical cables, filters and connections on your machine. Frayed or cracked hoses should be repaired or replaced to eliminate vacuum or solution pressure loss. Because the electrical cable must be well insulated and connector screws kept tight. If the cable insulation is broken or frayed, repair or replace it immediately. Don't take chances with electrical fire or shock.

NOTE: In the following instructions all letter designations. (E: A) will be shown in the upcoming graphical examples in this guide.

MAINTENANCE INSTRUCTIONS FOR PASSPORT

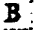
WARNING: Remove machine power cord from electrical source before making any adjustments or repairs to the machine. Only qualified maintenance personnel are to perform repairs.

VAC SHOE

1. Remove tanks to access vac shoe mounting bolts
2. Remove vac hose from shoe.
3. Remove (2) shoulder bolts holding vac shoe to chassis. 
4. Remove nut at the end of height adjustment rod.

NOTE: When reinstalling vac shoe on PASSPORT, do not overtighten shoulder bolts. Leave enough looseness to allow vac shoe to move up and down with the height adjusting screw.

BRUSH ASSEMBLY

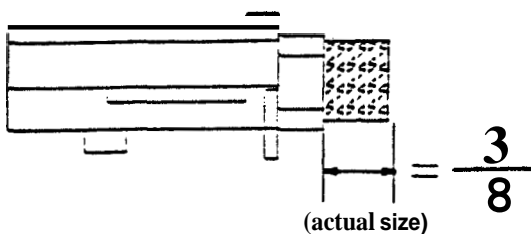
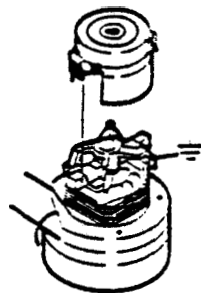
1. Remove belt guard, brush pulley guard and bearing covers at each end of brush.
2. Slide brush upwards and remove belt from pulley. Remove brush assembly from housing. Replace brush or bearings as required.
3. When reinstalling brush, check belt for proper tension. Belt should be taught. (Do not overtighten.) To adjust belt, loosen (2) hex nuts, rotate motor rearward and retighten nuts. 

VAC MOTOR BRUSHES

1. To inspect motor brushes, remove brush holder assembly. Brushes should be replaced when worn to 3/8 inch or after about 750 operating hours. After second brush replacement, the armature commutator should be checked for pitting and concentricity. Vac motors can be repaired but such repairs should be made by a qualified motor repair shop.

NOTE: When replacing electrical component parts refer to Wiring Diagram for proper connection.


WARNING:
The green ground wire must attach the motor to the power cord for safe operation. See wiring diagram.




WHEELS

1. Remove screw holding wheel on axle. Clean axle and apply a thin coating of silicone lubricant to axle before re-installing wheel.

TO ACCESS VAC, PUMP AND BRUSH MOTOR

1. Lift off recovery tank and set aside
2. Remove solution drain hose from keeper.
3. Remove (4) bolts holding tank to chassis. 
4. Raise tank and pull solution drain hose through chassis. Remove pump inlet hose from tank and lay tank aside.

VAC MOTOR

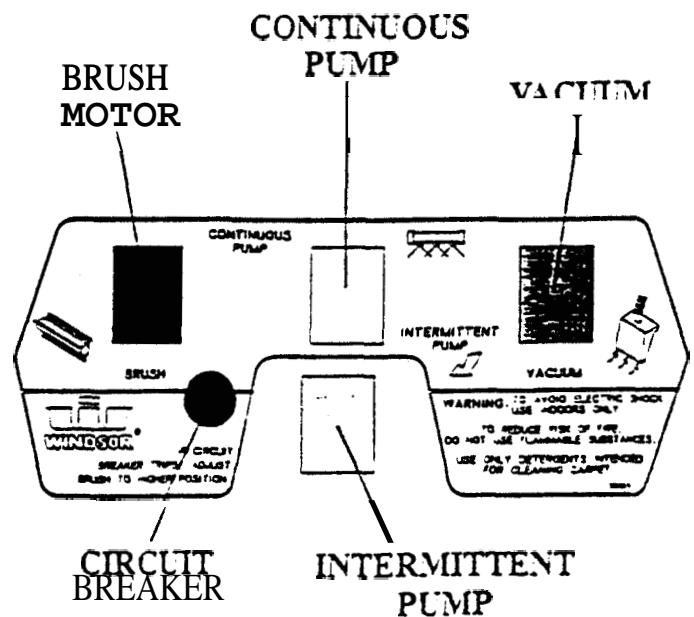
1. Lift off vac motor cooling air intake cover.
2. Disconnect electrical connections.
3. Remove vac hose from chassis outlet.
4. Loosen strain relief nut and remove the (2) Lower handle bolts. 
5. Remove screws holding motor plate to chassis and lift out motor.

NOTE: The vac motor is protected by a circuit breaker located in the switch panel. The breaker will only trip under conditions of abuse.

SPRAY JETS

1. To prevent clogged jets due to alkaline build-up, the spray system should be flushed with 1 to 2 gallons of clean hot water at the end of each day. The machine is equipped with "Quick Change" jets that can be easily removed for cleaning. To remove - push jet in and rotate 1/4 turn. Wash jets and blow dry. Do not use pins or wire to remove obstruction as this will change spray pattern.

PANEL CONTROLS



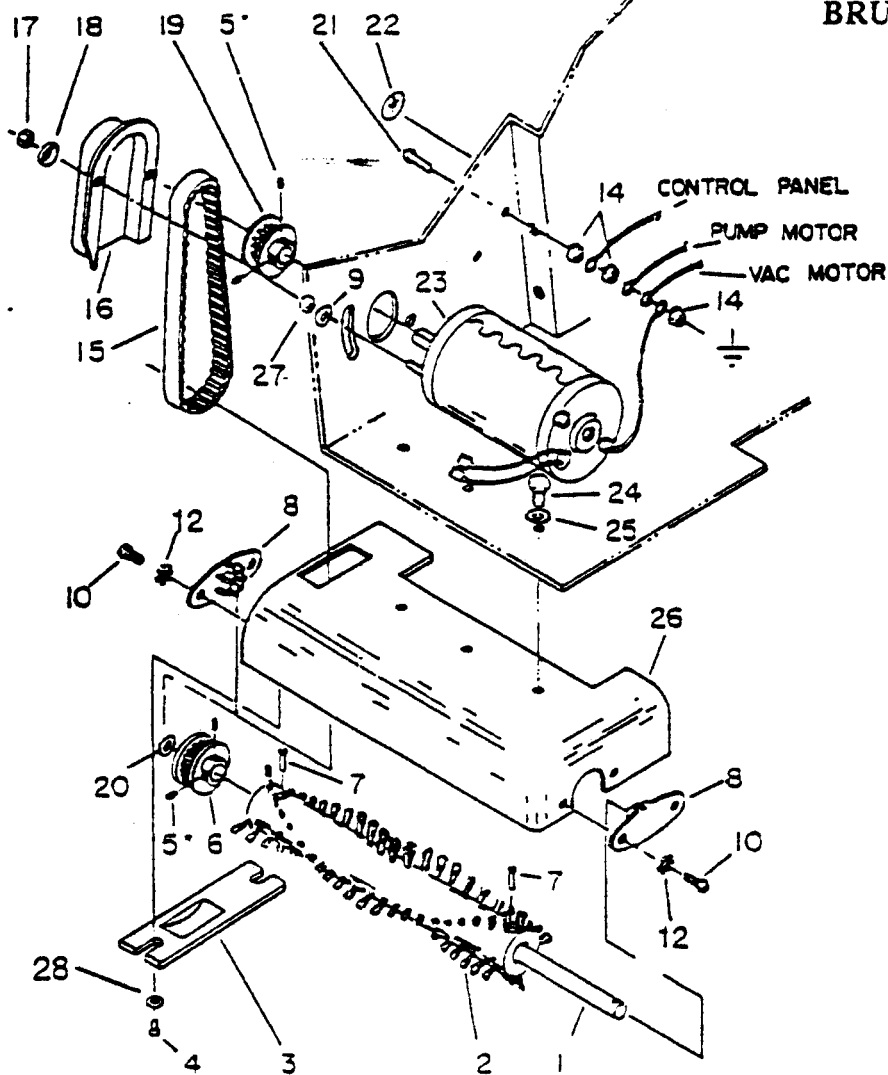
MODEL VARIATIONS CHART

At various points in your Owner's Guide you will be asked to refer to this page. When attempting to identify a part, simply find your model of the PASSPORT then locate the desired column.

	Vac Mtr Brsh Set	Vac Mtr	Pump	Main Cord Asm	Panel Cord Asm
115V SSS-MST (52165)	33392	53146	65108	23502	88395
	53142			23121	88395
115V PSP-400 (52229)	33392	53146	63108	23121	88395
115V PSP-CB (52248)	33392	53146	65108	23146	88395
115V PSP-ACO (52298)	33392	53146	65108	23121	88648
115V PSP-PQ (52367)	33392	53146	65108	23121	88395
100V PSP-J (52230)	33392-6	53146	65108	23121	88395
	53184				

MACHINE #	Product Instruction Card
115V SSS-MST	50304
115V XR-4	50341
115V PSP-CB	50513
115V PSP-PQ	50317-French 50318-PO
100V PSP-J (52230)	50557

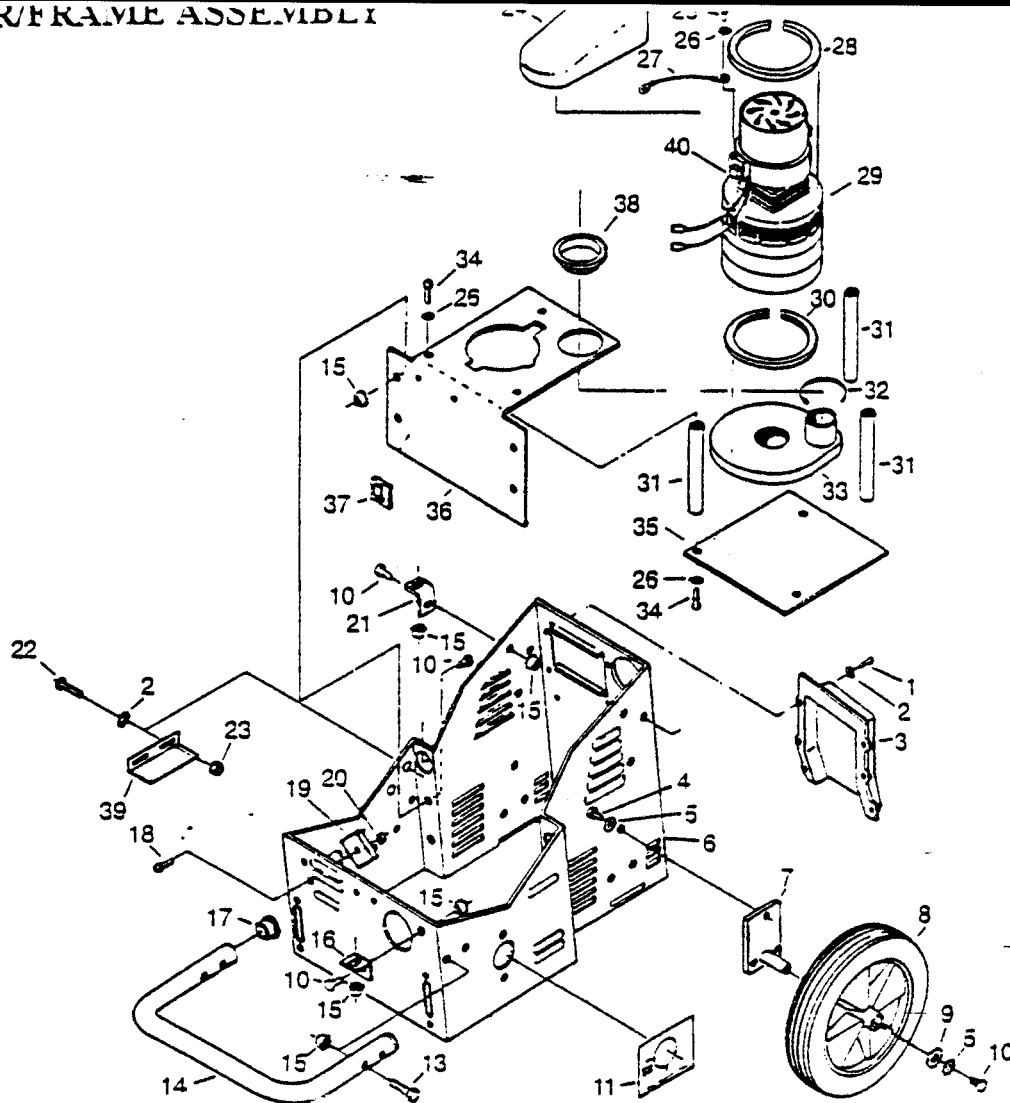
BRUSH DRIVE ASSEMBLY



PARTS LIST

KEY	PART NO.	DESCRIPTION
1	03069	Axle, Brush
2	12005	Brush
3	27264	Cover, Brush Pulley
4	70434	Scr. 6-32 x 3/8 PPHTF
5	70084	Scr. 8-32 x 3/16 Set KCP
6	64062	Pulley, Brush
7	70231	Scr. 8-32 x 3/4 FHMS
8	09057	Bearing, Brush
9	87018	Washer, #10, 9/16 OD
10	70213	Scr. 10-32 x 7/16 FHMS
12	87016	Washer, #10 Star
13	70031	Scr. 10-32 x 1/4 FHMS
14	57104	Nut, 10-32 w/Star Washer
15	11025	Belt, Brush Drive
16	36129	Guard, Belt (II)
17	57014	Nut, 10-32 Hex
18	87081	Washer, Belt Guard
19	64061	Pulley, PSP Brush Motor
20	87030	Washer, 3/8 ID x 3/4 OD Nylon
21	70066	Scr. 10-32 x 3/4 FHMS
22	50279	Label, Ground Symbol
23	See p.6	Motor, Brush
24	70020	Scr. 1/4-20 x 1/2 HHMS
25	87025	Washer, 1/4 Star
25	A1114	Housing, Brush
27	57030	Nut, 10-32 Lock
28	87161	Washer, #6 Flat SAE Pltd.

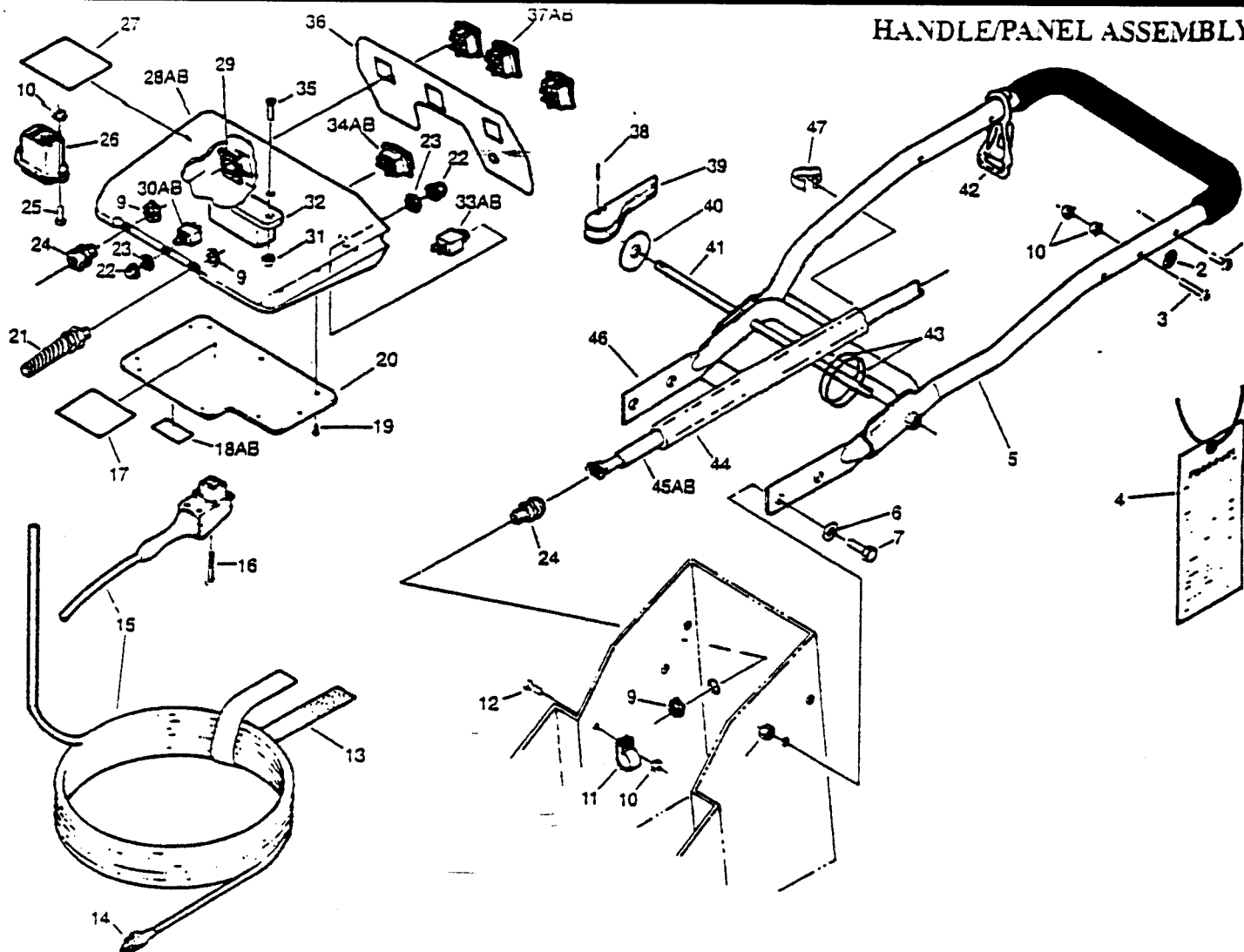
VAC MOTOR/FRAME ASSEMBLY



PARTS LIST:

KEY	PART NO.	DESCRIPTION	KEY	PART NO.	DESCRIPTION
1	70309	Scr. 6-32 x 1/4 HHST -F-	22	70067	Scr. 6-32 x 1/2 PHMS
2	87025	Washer. #6 Star	23	57116	Nut. 6-32 Hex w/Star Washer
3	29145	Duct. Vac Cooling Ext.	24	29141	Duct. Vac Cooling Int.
4	70205	Scr. 1/4-20 x 3/8 HHCS	25	70191	Scr. 10-32 x 1/2 HHST
5	87025	Washer. 1/4 Star	26	87016	Washer. #10 Star
6	34173	Frame. PSP	27	88184	Wire. Vac Mtr Ground
7	03035	Axle. Wheel	28	35080	Gasket. Vac Upper (14")
8	89048	Wheel. 8" Non-Marking	29	See p.6	Vac Motor. PSP
9	87008	Washer. 1/4 x 1.25 Flat	30	35081	Gasket. Vac Lower (17")
10	70020	Scr. 1/4-20 x 1/2 HHMS	31	73226	Spacer. Vac
11	50302	Label. Valve Position	32	27049	Capie Tie. 7"
12			33	27250	Cover. Vac Intake
13	70019	Scr. 1/4-20 x 1.25 HHCS	34	70088	Scr. 10-32 x 1/2 PHMS
14	38101	Handle. PSP Front Lift	35	62148	Plate. Vac Lower
15	57105	Nut. 1/4-20 Hex w/Star Washer	36	62147	Plate. Vac Upper
16	14443	Bracket. PSP Tank Front	37	20056	Clip. Wire Self-Adhesive
17	66016	Plug. 7/8 Dress	38	14042	Bushinc. 1.63 Snap
18	70066	Scr. 10-32 x 3/4 PHMS	39	36110	Guard. Wire
19	67029	Rectifier	40	See p.6	Brush Set. PSP
20	57104	Nut. 10-32 Hex w/Star Washer			
21	14316	Bracket. PSP Tank Rear			

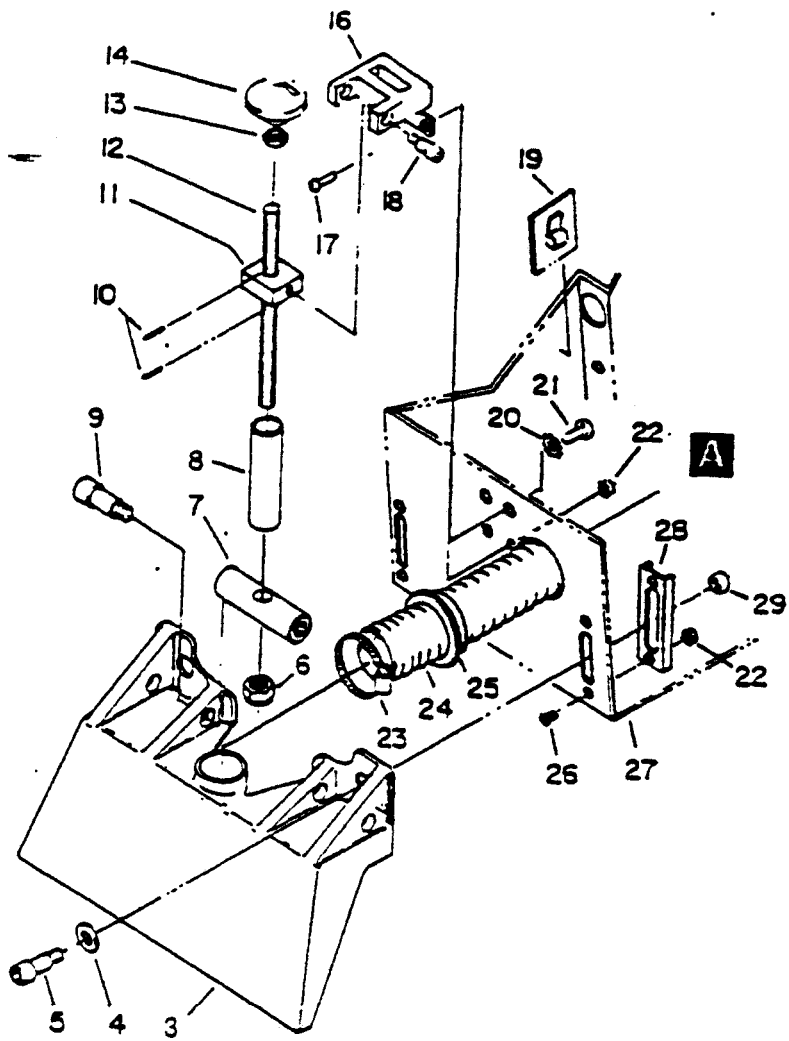
HANDLE/PANEL ASSEMBLY



PARTS LIST:

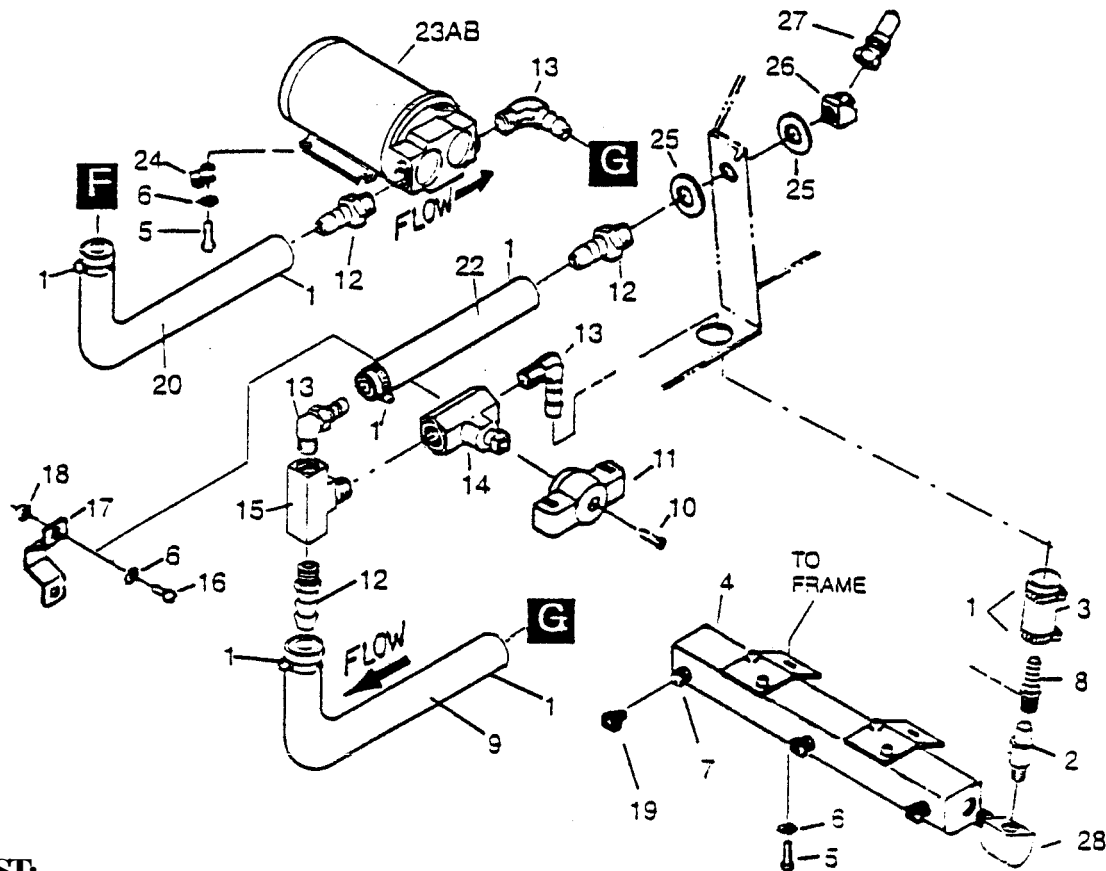
KEY	PART NO.	DESCRIPTION	KEY	PART NO.	DESCRIPTION
1	70253	Scr. 10-32 x 1.25 PHMS	26	25032	Receptacle, 240V VDE
2	50279	Label, Ground Symbol	27	50184	Label, WINDSOR
3	70092	Scr. 10-32 x 1.5 PHMS	28A	61215	Panel, 115V Control
4	See P.5	Card, PSP Instruction	28B	61180	Panel, 230V Control
5	38102	Handle, PSP Upper Main	29	27376	Clip, Switch retaining
6	87013	Washer, 1/4 Flat	30A	14700	Breaker, 15A Circuit
7	70011	Scr. 1/4-20 x 5/8 HHMS	30B	14312	Breaker, 7A Circuit
8	57047	Nut, 1/4-20 Nv-lock	31	57106	Nut, 8-32 w/star washer
9	57040	Nut, 1/2 NPT	32	14022	Terminal Block, 115/230V
10	57104	Nut, 10-32 w/star washer	33A	14192	Breaker, 1.2A Circuit
11	20054	Clamp, 3/8 Nylon	33B	14308	Breaker, 0.8A Circuit
12	70088	Scr. 10-32 x 1/2 PHMS	34A	72068	Switch, 125V SPST MOM Rckr
13	73175	Strap, 12" Velcro	34B	72070	Switch, 250V VDE MOM Rckr
14	See p.5	for cord ends & assemblies	35	70252	Scr. 8-32 x 1.0 FHMS
15	See p.5	for cord ends & assemblies	36	50451	Label, 115/230V Switch
16	70199	Sc. M5 x 40 PHMS	37A	72067	Switch, 125V SPST Rckr ON/OFF
17A	30522	Label, Winna 115V	37B	72069	Switch, 250V 16(4) VDE Rckr ON/OFF
17B	50453	Label, Winna 230V	38	66086	Pin, 3/16 OD x 5/8 L Roll
18A	50178	Label, Protect from Freezing	39	51054	Lever, Handle Lock
18B	50556	Label, Protect/Freezing JAPAN	40	87080	Washer, 1/2" Flat
19	70082	Scr. 6-32 x 1/2 PHMS	41	67097	Rod, Handle Pivot
20	62153	Plate, Panel Access	42	73169	Strain Relief, Cord Hook
21	73200	Strain Relief, 1/2 NPT Flex	43	59001	O-ring, 2.0"
22	14942	Boot, 5/8 Circuit Breaker	44	36064	Guard, Cable
23	57024	Nut, 3/8-27 Panel	45	See p.5	Wire Asm PSP Control Panel
24	73194	Strain Relief, 1/2 NPT	46	38103	Handle, PSP Lower Main
25	70211	Scr. 10-32 x 3/4 PHMS	47	27371	Clip, Power Cord

VAC SHOE ASSEMBLY



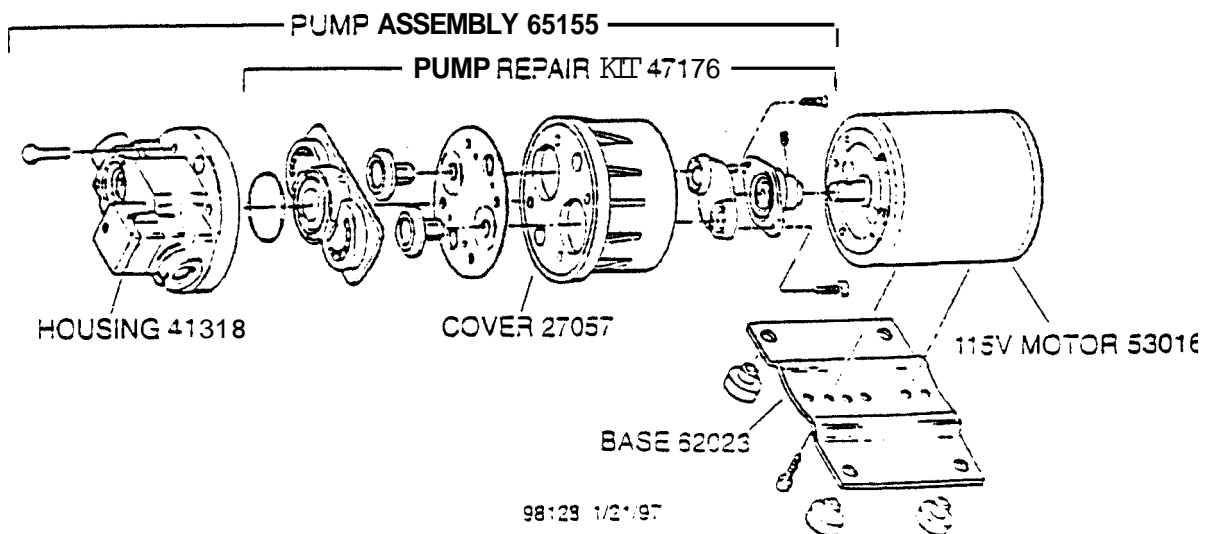
PARTS LIST

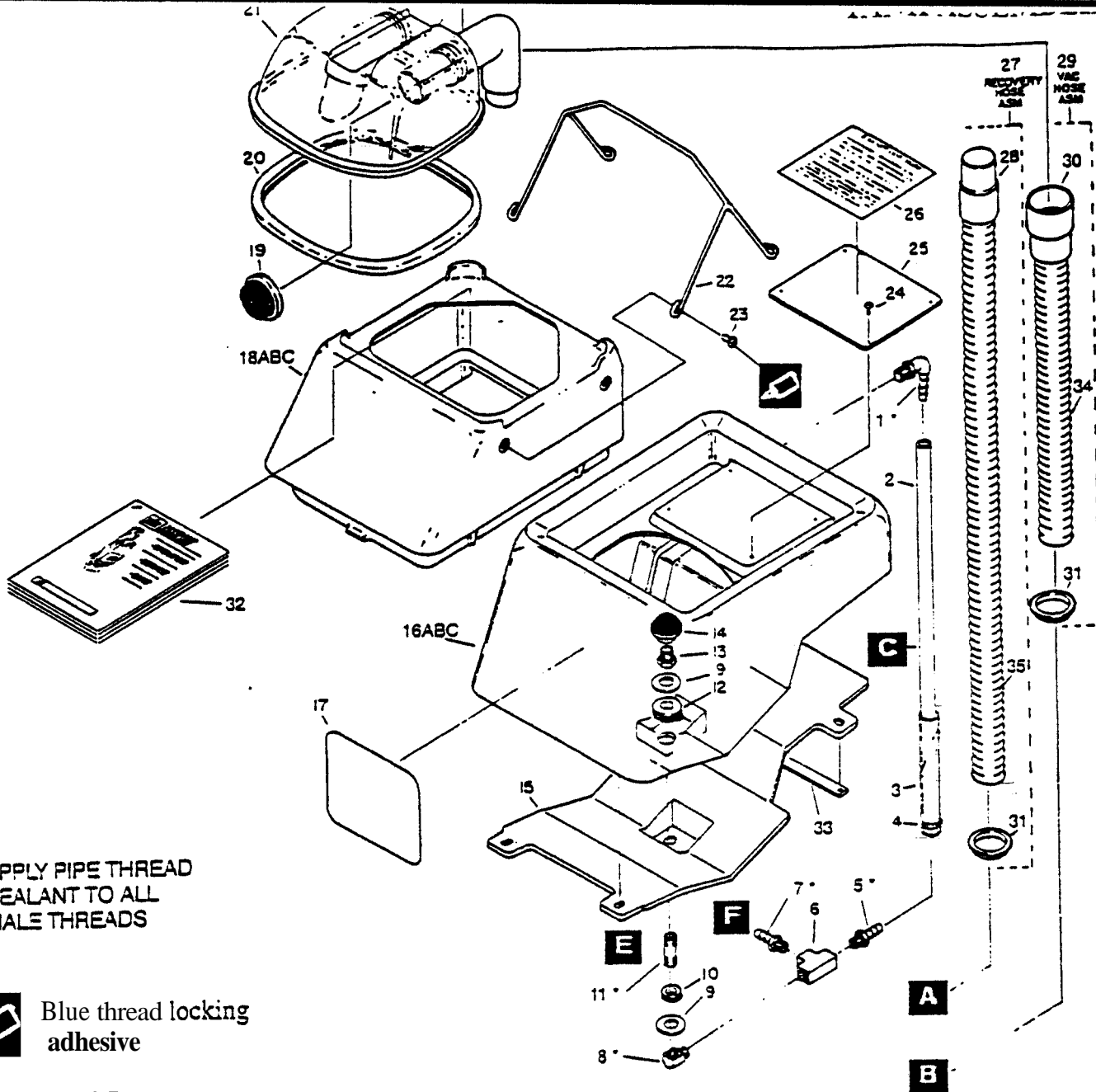
KEY	PART NO.	DESCRIPTION
1	OPEN	-
2	OPEN	-
3	85033	Vac Shoe. PSP w/o pointer
4	87029	Washer. 5/16 Fiat
5	70296	Shoulder Bolt. 5/16 x 1/2L
6	57022	Nut. 3/8-16 Lock
7	67131	Rod. Pivot
8	73480	Spacer. Vac Lift
9	70294	Shoulder Bolt. 3/8 x 5/8L
10	66031	Pin. 1/8 x 3/4 Roll
11	14506	Block. Height Adjustment
12	70417	Scr. Adjustment
13	57022	Nut. 3/8-16 Lock
14	48025	Knob. Height Adjustment
16	14508	Block. Height Adj. Mounting
17	70162	Scr. 10-32 x 3/8 FHMS
18	70292	Shoulder Bolt. 1/4 x 3/8L
20	87025	Washer. 1/4 Star
21	70020	Scr. 1/4-20 x 1/2 HHMS
22	57104	Nut. 10-32 w/Star washer
23	20063	Clamp. 1.75 Hose
24	39338	Hose. 1.5 blue vac x 45"
25	14042	Bushing. 1.83 Snac
26	70419	Scr. 10-32 x 1/2 FHMS 100 Dea.
27	34173	Frame. PSP
28	14817	Bracket. PSP Vac Shoe Xdiustment
29	57047	Nut. 1/4-20 Nvicck




PARTS LIST:

KEY	PART NO.	DESCRIPTION	KEY	PART NO.	DESCRIPTION
1	20042	Clamp, 3/8 Hose	15	78024	Tee, 1/4 Branch
2	84142	Valve, Check 3 psi 1/4 MPT x FPT	16	70162	Scr. 10-32 x 3/8 PHMS
3	39478	Hose, 3/8 Rubber x 2-1/8	17	14454	Bracket, Valve
4	54152	Manifold Asm, PSP	18	57104	Nut, 10-32 w/Star Washer
5	70088	Scr. 10-32 x 1/2 PHMS	19	44060	Jet, 8002 Mini Qk Replacement
6	87015	Washer, #10 Star	20	39326	Hose, 3/8 Wirecound 8"
7	44052	Jet Body, Mini Qk w/ Seal	21	OPEN	
8	40014	Hosebarb, 1/4 MPT x 3/8	22	39403	Hose, 3/8 Rubber 5"
9	39282	Hose, 3/8 Wirecound 7"	23A	65154	Pump, 115V 50 PSI
10	70091	Scr. 10-24 x 1/4 FHMS	23B	65156	Pump, 230V 50 PSI
11	48029	Knob, Yellow Ball Valve	24	57081	Nut, 10-32 Captive J
12	40014	Hosebarb, 1/4 MPT x 3/8	25	87015	Washer, 3/16 Flat
13	40033	Hosebarb, 1/4 MPT x 3/8 90D	26	31021	Elbow, 1/4 MPT x 5/16 Comp
14	84065	Valve, 1/4 FPT Ball	27	56012	Nipple, 1/4 FPT OD
			29	31016	Elbow, 1/4 NPT street





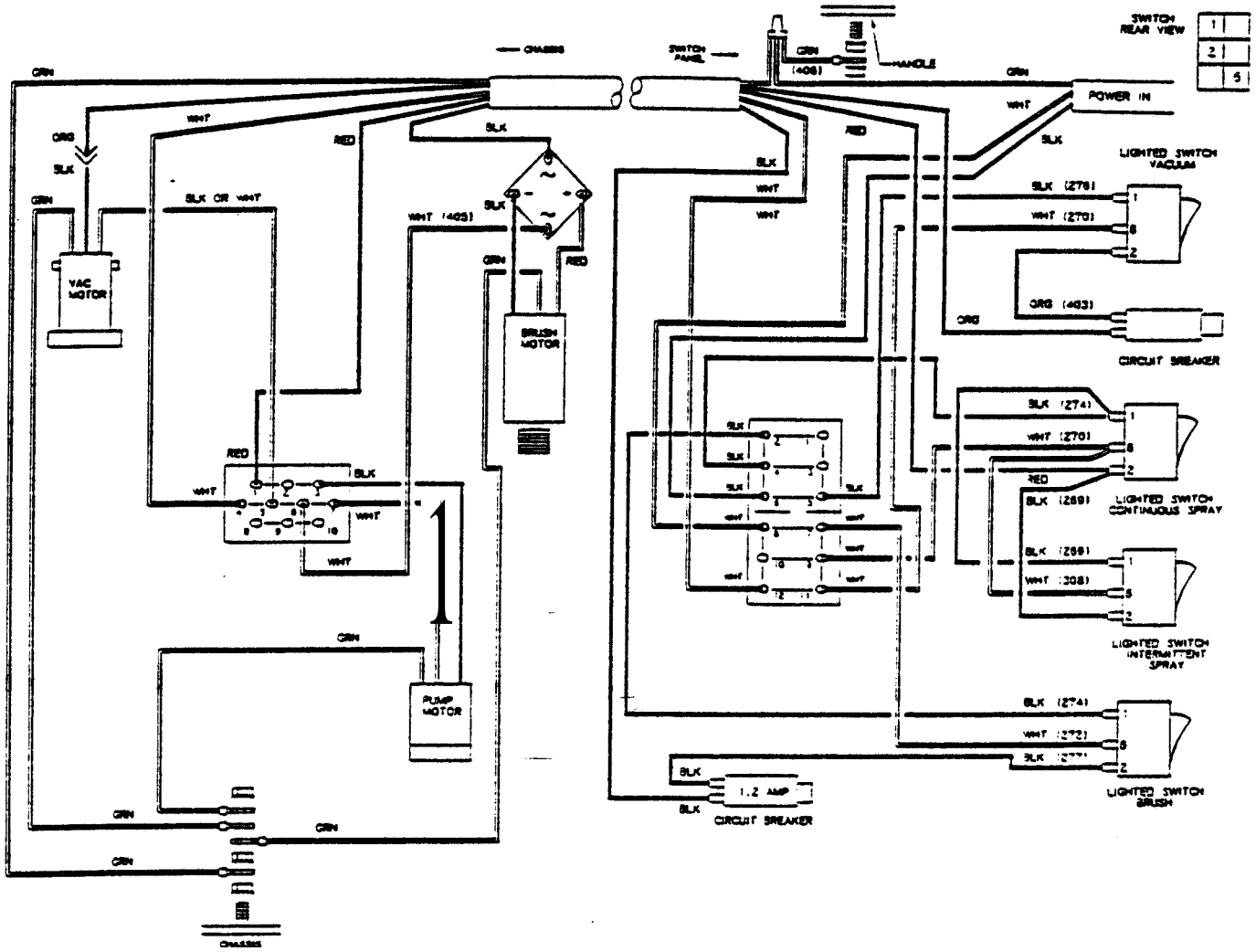
* APPLY PIPE THREAD SEALANT TO ALL MALE THREADS

 Blue thread locking adhesive

PARTS LIST:

KEY	PART NO.	DESCRIPTION	KEY	PART NO.	DESCRIPTION
1	40027	Hosebarb. 3/8 MPT x 1/2 90D Nvl	18A	75112	Tank. Recovery (SSS) & PSP-IB
2	39278	Hose. 1/2" ID x .09W Clear x 18"	18B	75187	Tank. Recovery (ACO)
3	39320	Hose. 3/4" Vinyl 7"	18C	75107	Tank. Recovery (All others)
4	20042	Clamp. 3/8 Hose	19	34140	Filter. Vac Intake 10 Mesh
5	40037	Hosebarb. 1/4 MPT x 1/2 Nvl	20	35060	Gasket. Dome
6	78156	Tee. 1/4 FPT	21	28035	Dome Asm. w/o Gasket
7	40014	Hosebarb. 1/4 MPT x 3/8	22	38107	Handle. Recovery Tank
8	31016	Elbow. 1/4 NPT Street	23	70300	Scr. 1/4-20 x 1/2 THMS
9	87015	Washer. 9/16 Flat	24	70323	Scr. 10-32 x 1/4 PHTF
10	36082	Grommet. 1/2 ID x 1/8" Groove	25	62160	Plate. Label
11	56044	Nipple. 1/4 x 1.12 Brass	26	50293	Label. Solution
12	36055	Grommet. 1/2 ID x 1/4" Groove	27	39368	Hose Asm. Recovery 45" w/Cuff
13	14076	Bushing. 3/8 MPT x 1/4 FPT Hex	28	27079	Cuff. 1.5" White Hose
14	73250	Strainer. 80 Mesh x 3/8 FPT	29	39369	Hose Asm. Vac 24" w/Cuff
15	66115	Pan. Tank	30	27354	Cuff. Blue Vac Hose
16A	75144	Tank. Solution (SSS) & PSP-IB	31	14042	Bushing. 1.63 ID Snap
16B	75185	Tank. Solution (ACO)	32	98218	Manual. PASSPORT
16C	75137	Tank. Solution (All others)	33	35165	Gasket. PSP tank pan 7.5"
17	50277	Label. PSP Main	34	39337	Hose. 1.5 Blu vac x 24"
			35	39338	Hose. 1.5 Blu vac x 45"

W/D-93181 115V (including PSP-LJ & PSP-ACO)



1
2
5



LIMITED WARRANTY

Windsor Industries, Inc. warrants new machines against defects in material and workmanship under normal use and service to the original purchaser. The warranty period is subject to the conditions stated below.

3 YEARS FOR PARTS AND 1 YEAR FOR SERVICE LABOR.

Exceptions: Rotationally molded polyethylene tanks carry a 6 year parts and 1 year service labor warranty. VERSAMATIC[®] models carry a 2 year warranty on brush motors, vacuum motors, and belts, and a 1 year service labor warranty. SENSOR[®] models carry a 1 year parts and service labor warranty. Extractor brush motors, pump motors, pc boards and electronics, vac motors (other than VERSAMATIC), pumps, and FLEXSOL[®] diaphragms carry a 1 year parts and service labor warranty.

Normal wear items including, but not limited to, brushes, capacitors, carbon brushes, clutches, cords, filters, finishes, gaskets, hoses, light bulbs, rectifiers, switches, squeegees, bearings, pulleys, relays, relays, actuating cables and tires will be warranted for manufacturing defects for 90 days from the purchase date.

The warranty commences on the purchase date by the original end user from an authorized Windsor Agent, subject to proof of purchase. The Machine Registration Card must be completed and returned immediately at the time of purchase. If proof of purchase cannot be identified, the warranty start date is 90 days after date of sale to an authorized Windsor distributor. Parts replaced or repaired under warranty are guaranteed for the remainder of the original warranty period.

90 DAY WARRANTY EXTENSION AVAILABLE

Upon receipt of the Machine Registration Card, Windsor will extend the warranty period an additional 90 days from the purchase date.

STATED WARRANTIES ARE IN LIEU OF ALL OTHER WARRANTIES, EXPRESSED OR IMPLIED.

Any statutory implied warranties, including any warranty of merchantability or fitness for a particular purpose, are expressly limited to the duration of this written warranty. Windsor will not be liable for any other damages, including but not limited to indirect or special consequential damages arising out of or in connection with the furnishing, performance, use or inability to use the machine. This remedy shall be the exclusive remedy of the buyer.

This warranty shall not apply to: 1. damage in transit; 2. misuse or abuse (including the use of incompatible or corrosive chemicals or overloading of capacity); 3. failure due to lack of proper maintenance and care (including cleaning); 4. any design alterations performed by an organization not authorized or specified by Windsor; 5. batteries and chargers.

If difficulty develops during the warranty period, contact the authorized Windsor Agent from whom the product was purchased. Windsor, Inc. may elect to require the return of components to validate a claim. Any defective part to be returned must be shipped freight prepaid to an authorized Windsor Distributor/Service Center or to the Windsor factory.

USE OF PARTS NOT APPROVED BY WINDSOR, INC. WILL VOID ALL WARRANTIES.

This warranty is valid only for all products sold after July 1, 1995. A product sold before that date shall be covered by the limited Warranty in effect at the date of sale to the original purchaser.



QUEST ... for Continuous Improvement.
Windsor's Quality Management System is Certified ISO 9001.

Revised 0/95

Windsor Industries, Inc., 1351 W. Stanford Ave., Englewood, CO 80110 U.S.A. 303-762-0000 00-444-7654 FAX 303-762-0817
©1995 Windsor Industries, Inc. All rights reserved.

Form A-213