

ELECTRICAL

The Model PV5 Wet/Dry Vacuum Cleaner operates on standard 15 amp, 120 volt A.C. household current 220 volt option available. Voltages below 105 volts, or above 125 volts, will cause potentially serious damage to the vac motors.

Thirty-five feet of 16/3 STJO cable with a 3-prong plug is the power connection to the machine.

This system has 3 main units:

1. Cabinet assembly with vacuum motors, and attached electrical cable.
2. Dome and perk/filter chamber and cage.
3. Waste bucket.

Carefully unpack and inspect all components for shipping damage. If you discover any damage, notify the delivering carrier immediately. Your machine was tested and inspected thoroughly before shipment, and damage is the responsibility of the carrier.

OPERATION

Attach vacuum hose between the wand and floor tool and the machine.

FOR DRY PICKUP

The waste bucket MUST have at least 5" of water in it before dry pickup is started, and the perk/filter chamber and cage must be in place.

FOR WET PICKUP

Wet pickup should be done with the perk/filter chamber and cage in place.

Insert electrical plug into 115 volt, 15 amp outlet. Make sure the dome is in place and sealed. You may be working on wet carpet or wet floors, so make sure the machine is properly grounded.

To prevent an overloaded circuit, do not operate on the same circuit with other appliances.

Turn power switch ON.

WARNING: When using for wet pickup an overflow of water or dirt into the vacuum motors can cause them to fail!! Constantly monitor the level of waste water in the recovery bucket. When about 2/3rds full, shut off the machine, remove the dome, take out bucket and empty. Keep the exterior of the bucket dry so no moisture gets into the vacuum chamber. Replace the bucket, center and seal the dome and continue cleaning.

Do not use to pick up volatile materials or dry chemicals. Do not expose the unit to rain. Always store it indoors.

Do not tip over the machine. Always operate with vac hose clipped by rope leash to the machine.

AFTER CLEANING

Empty the waste water bucket and rinse it thoroughly. Wipe out tank. Wipe off machine and wand with a damp cloth. Clean lint from the two air screens inside the vacuum chamber before each use.

MAINTENANCE

Periodically inspect the surfaces, hoses, cable, filters and connections on your machine. All surfaces should be clean to minimize abrasion damage. Use only soap and water for cleaning your machine. Do not walk on hoses. Keep them clean and unkinked. Frayed spots on hoses should be covered and end connectors kept snug. Because the electrical cable will lie on wet carpet or floors at times, the cable must be well insulated and cable connector screws should be tight. Do not walk on the cable or run machinery over it. If the cable insulation is broken or frayed, repair or replace it immediately. Don't take chances with an electrical fire or shock.

If necessary, the plastic perk/filter chamber can be removed for cleaning by releasing the rod that holds it in place. When replacing the chamber be sure rubber gasket in dome elbow is in place.

PROBLEM	POSSIBLE CAUSE	SOLUTION
No power to machine	Dead electrical circuit Power switch failure. Faulty electrical cable.	Check building circuit breaker or fuse box. Replace. Replace.
Electrical shock	Equipment not grounded.	Ground prong on plug broken off. Never operate machine with grounding prong removed.
Motor speed varies or doesn't run	Motor brushes worn. Motor worn out.	Replace. Replace.
Loss of vacuum	Loose vacuum dome. Clogged water chamber. Crack in dome or defective glue joint. Lint or dirt clogging vacuum screen. Loose cuffs on vacuum hose.	Center and seal dome over tank. Rinse out with water. Replace or reseal using acrylic plastic cement only. With power off, clean screen. Tighten cuffs turning counter-clockwise.
	Vacuum motor seals leaking. Floor tool vacuum chamber plugged. Broken vac hose. Damaged dome gasket. Worn out vac motor.	Replace. Wash out with hose. Pick lint out with wire Replace. Replace. Replace.

LIMITED WARRANTY

WINDSOR warrants to the original purchaser/user that this product is free from defects in workmanship and materials under normal use and service for a period of one year from date of purchase. WINDSOR will, at its option, repair or replace without charge, except for transportation costs, parts that fail under normal use and service when operated and maintained in accordance with the applicable operation and instruction manuals. This warranty does not apply to normal wear, or to items whose life is dependent on their use and care, such as cords, switches, hoses, rubber parts, electric motor parts, etc.

IN ADDITION to the above warranty, for a period of 5 YEARS WINDSOR will, without charge, either replace or return to working order, at its option, any solution tank that fails as a result of defects in materials or

workmanship during normal service and usage except for transportation costs.

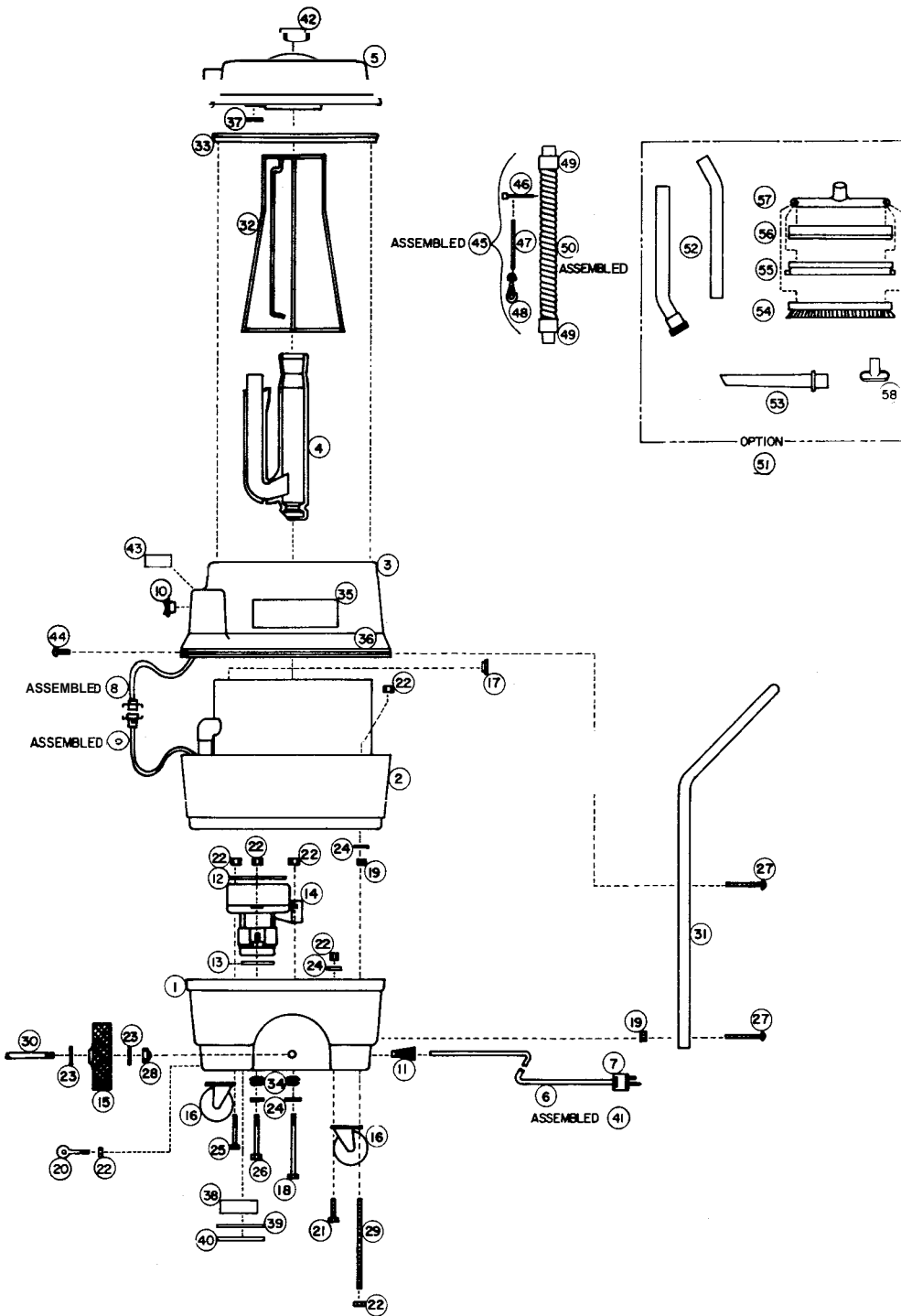
This limited warranty is in lieu of all other warranties expressed or implied and releases WINDSOR from all other obligations and liabilities. It is applicable only in the U.S.A. and Canada and is extended only to the original user/purchaser of this product. WINDSOR is not responsible for costs for repairs performed by persons other than those specifically authorized by WINDSOR. This warranty does not apply to damage from transportation alterations by unauthorized persons, misuse or abuse of the equipment, use of non compatible chemicals or damage to property or loss of income due to malfunctioning of the product.

If a difficulty develops with this machine you should contact the dealer from whom it was purchased.



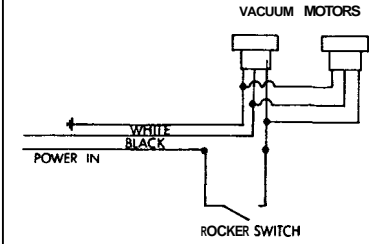
WINDSOR INDUSTRIES, INC.
2635 So Santa Fe Drive Denver CO 80223
303/777-7774

PERK/FILTER VAC MACHINE BREAKDOWN AND PARTS LISTING



KEY	AMT.	PART NO.	DESCRIPTION
1	1	10-157MCHD	Base-PV-5
2	1	72-003	Tank Cabinet Ass-- PV-5
3	1	10-159MCHD	Tank Top ABS
4	1	10-162	Perk/Filter Chamber PV-5
5	1	10-168	Dome, PV-5
6	1	20-128	Electric Cord 16-3x35'
7	1	21-027	Cord Cap 120V - 3-Wire
8	1	22-026	Lead Assy. Switch PV-5
9	1	22-025	Lead Assy. Vacuum Motor
10	1	21-072	Rocker Switch
11	1	21-081	Strain Relief w/Spring
12	1	50-024	Vacuum Motor Gasket 7.5" Dia.
13	2	50-005	Gasket Seal, Vac Motor - 1/8 x 11/16
14	2	25-051	Vacuum Motor 120V
14A	2	25-001	Vacuum Motor, Tangential 220V PV-5
15	2	30-001	Wheel, 6 x 1 1/2
16	2	30-002	Caster, 3 x 1 1/4
17	2	30-046	Screen-Vacuum Intake 1 1/2 Dia.
18	4	33-010	Screw, 1/4 - 20 x 5 1/2 HHMS Plated
19	4	33-013	Hexnut 1/4 - 20
20	1	33-015	Bolt, 1/4 - 20 x 2, I-Bolt
21	5	33-031	Screw, HHMS 1/4 - 20 x 3/4" SS
22	15	33-033	Locknut 1/4 - 20 Nylon Insert
23	4	33-069	Washer - FW - 9/16 x 1 1/4 SS
24	13	33-094	Washer - FW 1/4 x 5/8 SS
25	1	33-142	Screw, 1/4 - 20 x 3 HHMS
26	1	33-171	Screw, 1/4 - 20 x 4.5"
27	2	33-234	Screw, 10-32 x 1.5" PHMS
28	2	33-236	Nut, 1/2 - 13 Accorn
29	2	33-237	Rod, 1/4 - 20 Threaded
30	1	33-251	Axle, 1/2 x 16.75
31	1	37-001	Handle, PV-5, Alum.
32	1	37-210	Cage - Perk/Filter Chamber
33	1	50-002	Gasket, Dome Seal 3/8 x 3/4
34	5	55-020	Grommet, 5/16
35	2	63-146	Decal, "Perk/Filter" Vac
36	*SL	69-001	Tape, Multi-Stripe *Specify length
37	1	50-015	Gasket
38	1	12-012	Acoustic Pad 10.25 x 2.625 Solid
39	1	50-032	Gasket, 2-Side ADH 1/32 x 1/4 White
40	1	10-153	Cover, Vacuum Air 1/8 ABS PV-5
41	1	22-024	Cord Assy. - 35' PV-5
42	1	63-153	Label, Dome
43	1	63-152	Decal
44	1	33-132	Screw, RHMS 1/4 - 20 x 1 SS
45	1	81-008	Vacuum Hose Assy. 8'
46	1	21-077	Cable Tie 3 1/2 Long
47	20"	36-347	Cord, Polypropylene
48	1	33-183	Snap Hook, 3/8 Swivel
49	2	55-171	Hose Cuff - Blue 1 1/2 Dia.
50	1	81-206	Vacuum Hose Assy. 8' Blue
51	1	06-113	Tool Kit - PV-5
52	1	06-008	Two-Piece Wand w/Coupler
53	1	06-007	Crevice Tool
54	1	06-005	Bristle Shoe for #06-003
55	1	06-004	Squeegee Shoe for #06-003
56	1	06-006	Carpet Shoe for #06-003
57	1	06-003	Master Floor Tool Head
58	1	06-009	Upholstery Tool PV-5

PERK/FILTER VAC WIRING SCHEMATIC



6 MONTHS OR 750 OPERATING HOURS

Removing Waste Water Cabinet Assembly From Base:

1. Disconnect machine from power source.
2. Remove the handle
3. Turn machine upside down and remove the two lock nuts from the bolts coming through the casters (one on each caster).
4. Remove base from cabinet and disconnect leads at the molex connector.

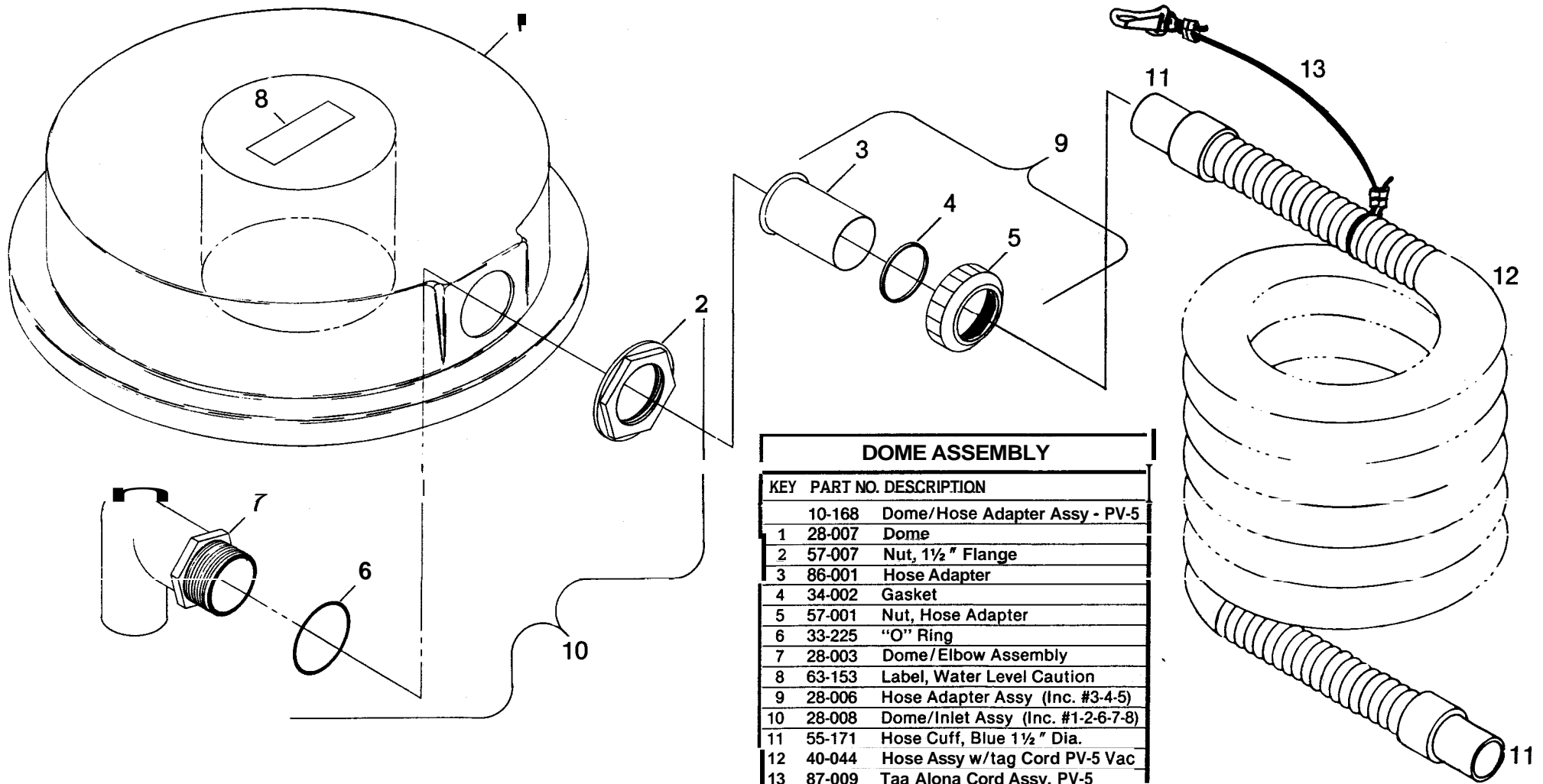
VACUUM MOTOR

1. To remove vac motors, disconnect wires and remove three 1/4" hex-nuts.
2. Lift out vac motors being careful not to damage seals
3. To inspect brushes: remove brush hold-downs. New brush length is 1". Brushes should be replaced when they reach 3/8" length or after 750 operating hours.
4. Inspect vacuum intake opening for lint. If there are large accumulations, the fan section should be disassembled and cleaned. Note: Vacuum motors can usually be repaired, but such repairs should always be done by a qualified vacuum repair shop.

PRODUCT MODIFICATION — Dome Assembly—Perk/Filter Vac

Your new Perk/Filter Vac is equipped with newly designed dome and hose assemblies. This notice should be retained with your Dealer Manual for reference when ordering replacement parts in the future.

NOTE: Part #10-168 Dome/Hose Adapter Assy - PV-5 includes both sub assemblies #28-006 and #28-008. For replacement, individual parts or assemblies can be ordered as shown on parts list.



DOMES ASSEMBLY

KEY	PART NO.	DESCRIPTION
	10-168	Dome/Hose Adapter Assy - PV-5
1	28-007	Dome
2	57-007	Nut, 1½" Flange
3	86-001	Hose Adapter
4	34-002	Gasket
5	57-001	Nut, Hose Adapter
6	33-225	"O" Ring
7	28-003	Dome/Elbow Assembly
8	63-153	Label, Water Level Caution
9	28-006	Hose Adapter Assy (Inc. #3-4-5)
10	28-008	Dome/Inlet Assy (Inc. #1-2-6-7-8)
11	55-171	Hose Cuff, Blue 1½" Dia.
12	40-044	Hose Assy w/tag Cord PV-5 Vac
13	87-009	Taa Alona Cord Assv. PV-5