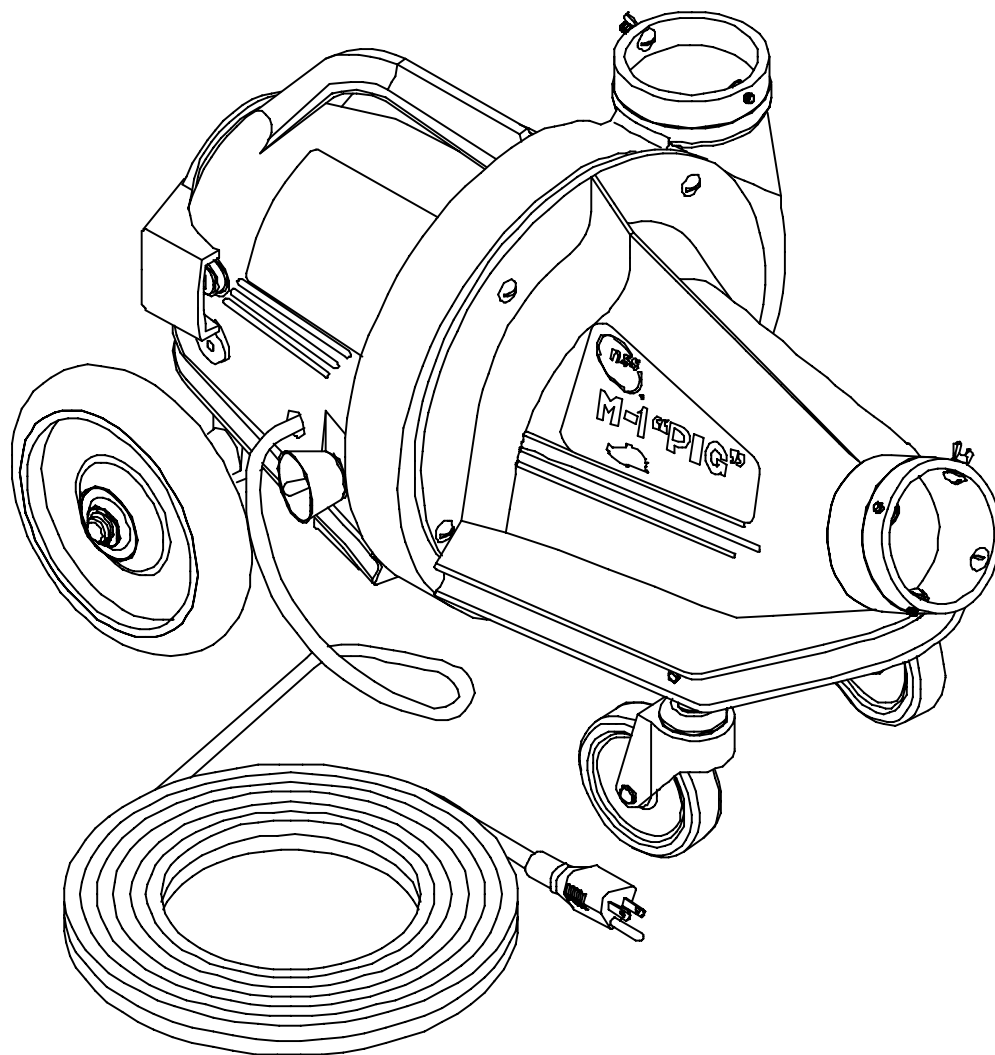


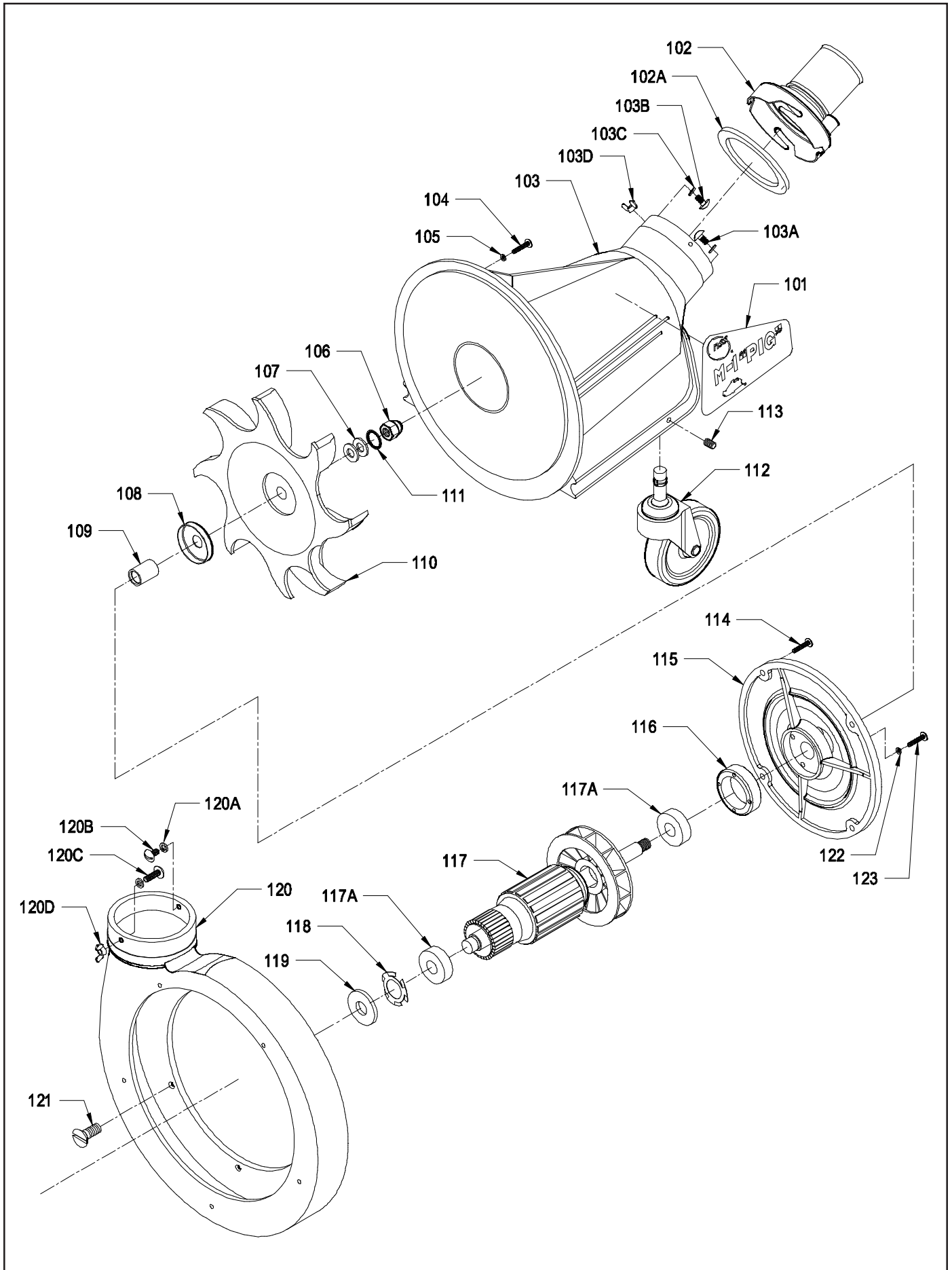
PARTS LIST
MODEL M-1 - PIG



FAN HOUSING

ITEM	PART NO.	PART DESCRIPTION	QTY.
101	1090601	DECAL KIT - M-1 PIG	1
102	2590019	SWIVEL COUPLING ASSEMBLY - INCLUDES:	1
102A	2590111	HOSE COUPLING GASKET	1
103	1092519	SAFETY TRAP ASSEMBLY - INCLUDES:	1
103	1092511	SAFETY TRAP	1
103A	9120770	10-32 X 5/8 ROUND HEAD PHILLIPS MACHINE SCREW	3
103B	9120720	10-32 X 3/8 ROUND HEAD PHILLIPS MACHINE SCREW	1
103C	9120320	#10 SPLIT LOCK WASHER	4
103D	9120680	10-32 WING NUT	1
104	9120440	10-24 X 7/16 ROUND HEAD PHILLIPS MACHINE SCREW	5
105	9120320	#10 SPLIT LOCK WASHER	5
106	1094791	3/8-24 ACORN NUT	1
107	9122465	.516 I.D. X .813 O.D. X .027/.030 THICK FLAT WASHER	2
108	1094841	DUST CAP	1
109	1094871	DUST SPACER TUBE	1
110	1094642	SUCTION FAN	1
111	9121965	3/8 INTERNAL STAR LOCK WASHER	1
112	0290491	CASTER	2
113	9120850	1/4-20 X 5/16 SET SCREW - KNURL POINT	2
114	9120540	10-24 X 1/2 FLAT HEAD PHILLIPS MACHINE SCREW	4
115	1094532	END PLATE	1
116	1094702	BEARING HOUSING	1
117	1098909	ARMATURE ASSEMBLY - INCLUDES:	1
117	1098741	ARMATURE AND VENT FAN	1
117A	1099921	BEARING	2
118	3490731	1 1/16 I.D. X 1 1/4 O.D. FINGERED SPRING WASHER	1
119	9122467	.531 I.D. X 1.25 O.D. X .031 THICK FLAT WASHER	1
120	1092529	FAN HOOD ASSEMBLY - INCLUDES:	1
120	1092521	FAN HOOD	1
120A	9120320	#10 SPLIT LOCK WASHER	2
120B	9120720	10-32 X 3/8 ROUND HEAD PHILLIPS MACHINE SCREW	1
120C	9120770	10-32 X 5/8 ROUND HEAD PHILLIPS MACHINE SCREW	1
120D	9120680	10-32 WING NUT	1
121	9120540	10-24 X 1/2 FLAT HEAD PHILLIPS MACHINE SCREW	4
122	9120200	#8 SPLIT LOCK WASHER	4
123	9120260	8-32 X 3/4 ROUND HEAD PHILLIPS MACHINE SCREW	4

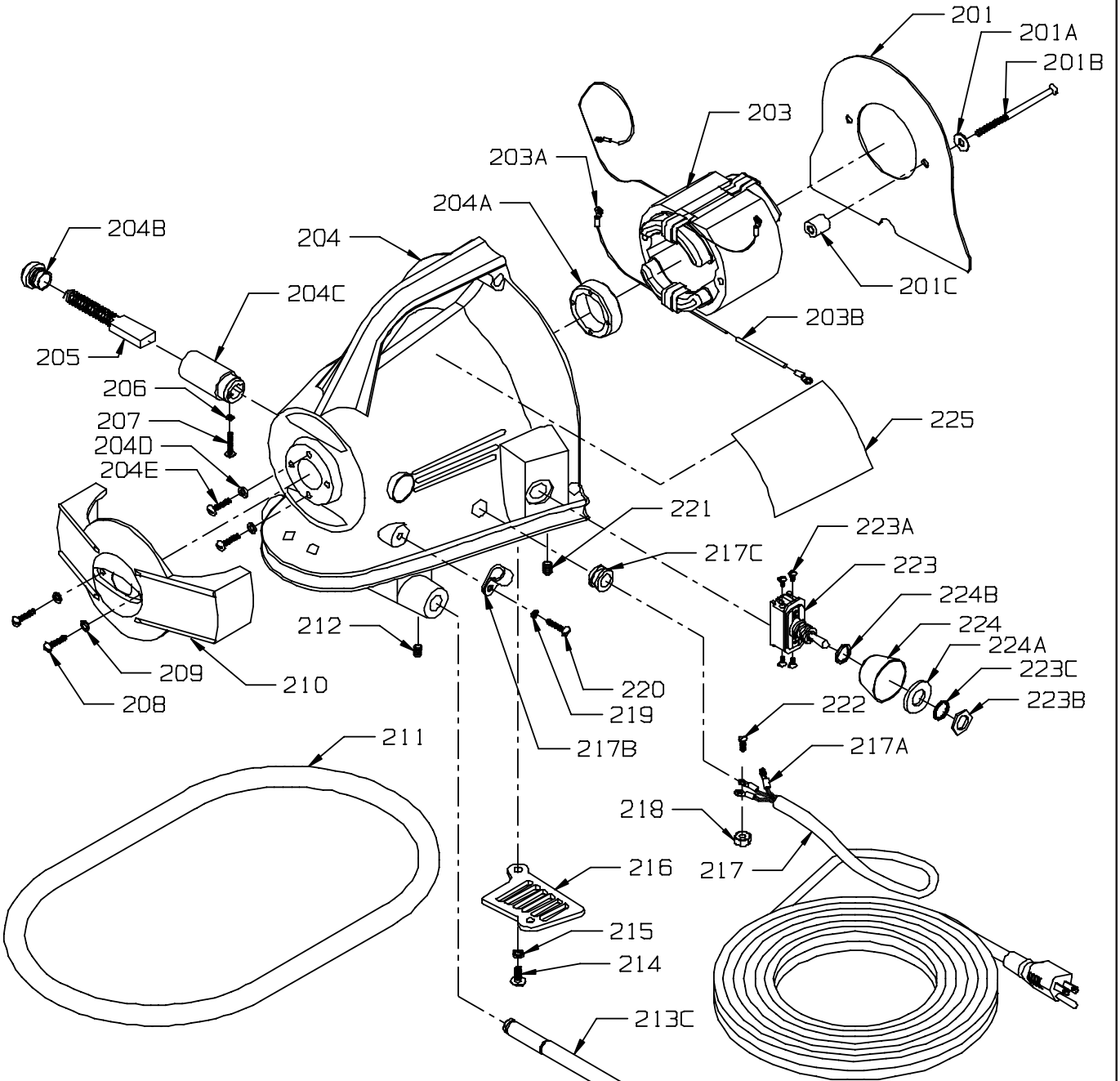
FAN HOUSING



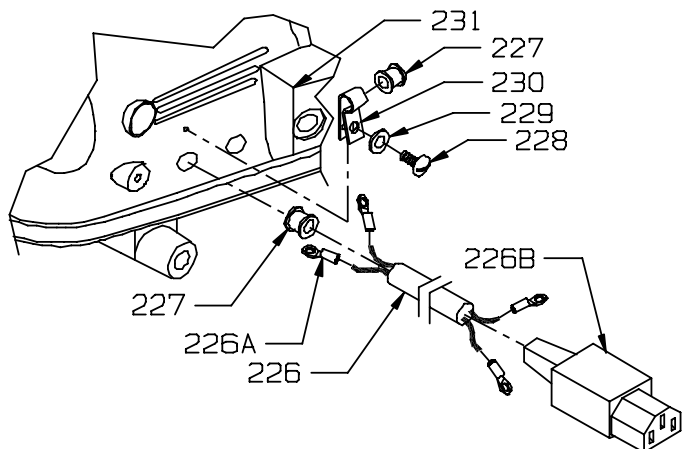
MOTOR HOUSING

ITEM	PART NO.	PART DESCRIPTION	QTY.
201	1099969	BAFFLE ASSEMBLY - INCLUDES:	1
201	1099961	BAFFLE PLATE	1
201A	9120207	3/16 I.D. X 1/2 O.D. EYELET - BRASS	2
201B	3490151	1/4-20 X 3 1/2 FIELD SCREW	2
201C	3490231	SPACER - BAFFLE	2
203	1098751	FIELD CORE AND COIL - 115 VOLT - INCLUDES:	1
203A	0692231	#6 RING TERMINAL 14-16 GAGE	4
203B	1099767	INSULATION TUBING	2
204	1098789	MOTOR FRAME AND BRUSH HOLDER ASSEMBLY - INCLUDES:	1
204	1098781	MOTOR FRAME	1
204A	1094702	BEARING HOUSING	1
204B	1094681	CAP - BRUSH HOLDER	2
204C	1094672	BRUSH HOLDER	2
204D	9120200	#8 SPLIT LOCK WASHER	2
204E	9120260	8-32 X 3/4 ROUND HEAD PHILLIPS MACHINE SCREW	2
205	1094691	CARBON BRUSH	2
206	9120030	#6 SPLIT LOCK WASHER	2
207	9120060	6-32 X 5/16 PAN HEAD SLOT MACHINE SCREW - BRASS	2
208	9120280	8-32 X 1 ROUND HEAD PHILLIPS MACHINE SCREW	2
209	9120200	#8 SPLIT LOCK WASHER	2
210	1092253	MOTOR CAP	1
211	1092671	BUMPER - VINYL	1
212	9120850	1/4-20 X 5/16 SET SCREW - KNURL POINT	1
213	1092309	M-1 WHEEL KIT, 2 WHEELS & AXLE - INCLUDES:	1
213	3392991	WHEEL - 6 O.D. X 1.25 WIDE X 1/2 I.D.	2
213A	9122465	.516 I.D. X .813 O.D. X .027/.030 THICK FLAT WASHER - PACK OF 2	4
213B	9122496	RETAINING RING - PACK OF 8	4
213C	1092311	AXLE, MODEL M-1	1
214	9120440	10-24 X 7/16 ROUND HEAD PHILLIPS MACHINE SCREW	2
215	9120320	#10 SPLIT LOCK WASHER	2
216	1099951	GRATE	1
217	1091119	35' CORD 16-3 - ASSEMBLY - INCLUDES:	1
217	1091111	35' CORD - 16-3 - INCLUDES:	1
217A	—	# 10 RING TERMINAL	3
217B	5294201	CABLE CLAMP - NYLON	2
217C	1091101	11/16 O.D. X 7/16 I.D. X 1/2 GROMMET	1
218	9120360	10-24 HEX NUT WITH STAR LOCK WASHER	1
219	9120320	#10 SPLIT LOCK WASHER	2
220	9120420	10-24 X 5/8 ROUND HEAD PHILLIPS MACHINE SCREW	2
221	9121120	1/4-20 X 5/8 SET SCREW - KNURL POINT	1
222	9120580	10-24 X 5/8 ROUND HEAD SLOT MACHINE SCREW - BRASS	1
223	0294511	SWITCH, ON / OFF INCLUDES:	1
223A	9120223	8-32 X 1/4 PAN HEAD PHILLIPS MACHINE SCREW	4
223B	0798941	9/16 HEX NUT	1
223C	0691851	1/2 INTERNAL STAR LOCK WASHER	1
224	1091059	SWITCH GUARD ASSEMBLY - INCLUDES:	1
224	1091051	TOGGLE SWITCH GUARD	1
224A	9122465	.516 I.D. X .813 O.D. X .027/.030 THICK FLAT WASHER	1
224B	1090981	SWITCH GUARD SPACER	1
225	1090601	M-1 DECAL KIT	1
226	1090949	ACCESSORY CORD WITH PLUG AND TERMINALS - INCLUDES:	1
226	8596290	CORD - 18-2 - 1'	1
226A	0692231	#6 TERMINAL	4
226B	1090951	FEMALE PLUG	1
227	3490451	9/16 O.D. X 5/16 I.D. X 1/2 GROMMET	2
228	9120410	10-24 X 1/2 ROUND HEAD MACHINE SCREW	1
229	9120320	#10 SPLIT LOCK WASHER	1
230	1091221	CABLE CLAMP	1
231	1090853	MOTOR FRAME WITH ACCESSORY HOLE	1

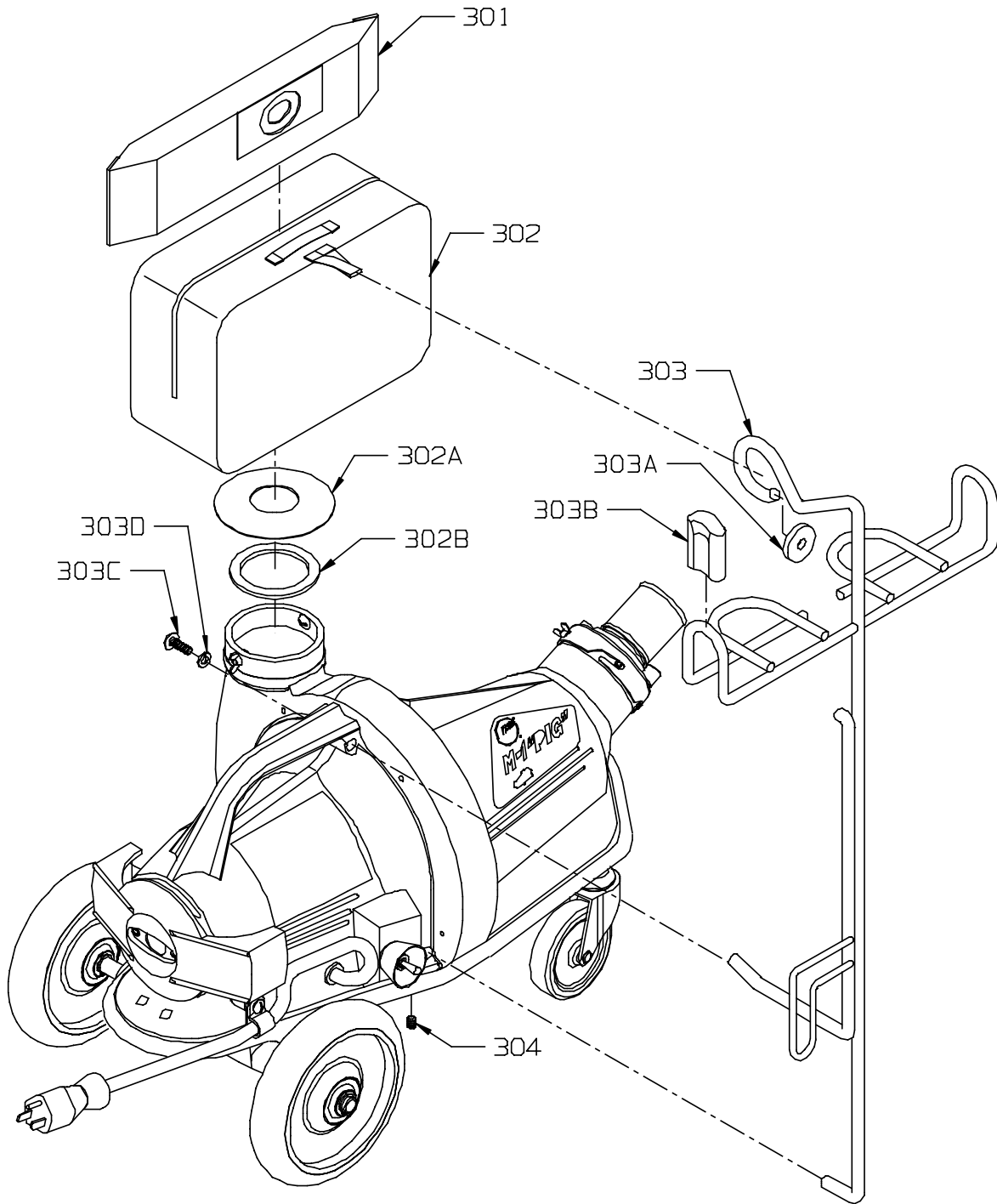
MOTOR HOUSING



FOR MODEL 1001040 WITH ACCESSORY PLUG ONLY



BAG AND ROD ASSEMBLY



<u>ITEM</u>	<u>PART NO.</u>	<u>PART DESCRIPTION</u>	<u>QTY.</u>
301	1098861	PAPER BAG - 6 PACK	1
302	1093011	UNIVERSAL FILTER BAG ASSEMBLY - INCLUDES:	1
302A	1099741	BAG PROTECTOR	1
302B	2590111	HOSE COUPLING GASKET	1
303	1093609	BAG ROD ASSEMBLY - INCLUDES:	
303	1093601	BAG ROD	1
303A	1090961	RUBBER WASHER	1
303B	1090971	PROTECTOR - BAG ROD	2
303C	9121010	1/4-20 X 3/4 TRUSS HEAD PHILLIPS MACHINE SCREW	1
303D	9120880	1/4 SPLIT LOCK WASHER	1
304	9121120	1/4-20 X 5/8 SET SCREW - KNURL POINT	1

ACCESSORIES

MODEL M-1 FILTER BAGS

1093011 Model M-1 Universal Black Filter Bag
1098861 Paper Filter Bags (6 Pack)

SATELLITE BUMPER

1094889 Satellite Bumper

EXTENSION TUBES AND ACCESSORIES

2291109 Hi-Up Extension Tube Set
2291119 5' Extension Tube With Sleeve
2291129 5' Extension Tube With Elbow

TOOLS - CREVICE FOR 1 1/2" HOSE

3092281 12" Plastic Crevice Tool
3093191 12" Aluminum Crevice Tool
3092311 28" Crevice Tool - Plastic
3092323 28" Aluminum Crevice Tool

UPHOLSTERY TOOLS - FOR USE WITH 2291211 CONNECTOR

3090109 4" Upholstery Tool
3090209 7" Upholstery Tool

TOOLS - BARE FLOOR, DRY PICK-UP, 1 1/2" WAND

3091259 12" Gulper Tool, Cast Aluminum Shoe
3091279 12" Gulper Tool, Fabric Shoe

3091299 14" Tool With Fiber Shoes
3091349 14" Tool, Fiber Front / Bristle Rear
3091369 14" Tool With Felt Shoes
3091389 14" Tool With Nylon Bristles
3091409 14" Tool, Felt Front / Bristle Rear

HOSES

2595071 1 1/2" X 7' Super Flex Hose
2595101 1 1/2" X 10' Super Flex Hose

POWER WAND FOR USE WITH M-1 MODEL 1001040

1601604 16" Power Wand 115 Volt

WANDS

2290209 1 1/2" 2-Bend, Steel Wand
2290309 1 1/2" 2-Bend, Aluminum, Short Handle Wand
2290409 1 1/2" 2-Bend, Aluminum Wand

TOOL ADAPTORS, HOSE COUPLINGS AND CUFFS

2590019 1 1/2" Swiveled Hose Coupling (M and Sh)
2590111 Gasket, Hose Couplings - 2590019, 2590109
2291211 5" Aluminum Connector

BRUSHES - WALL, PIPE, SHELF FOR USE WITH 2291211 CONNECTOR

3091769 9" Wall Brush With Nylon Bristle
3091859 3" Round Brush With Nylon Bristles
3091989 7" Shelf Brush With 1/2" Bristle

For Cleaning Walls, Ceilings And Draperies
For Blinds And General Dusting
For General Shelf Dusting

TOOLS - CARPET, 1 1/2" WAND

3091039 12" Tool With Aluminum Shoe
3093209 12" Tool With Milled Aluminum Shoes

3092139 12" Tool With Manganese Shoes
3091079 12" Tool With Milled Manganese Shoes

3097009 12" Tool With Lint-Lifter Shoes
3097959 12" Lint Tool With Bristle Insert
3097079 12" Tool With Plain Shoes
3097099 16" Tool With Plain Shoes
3097109 16" Tool With Lint-Lifter Shoes

Lightweight, Heavy Duty, General Purpose
For Close Cut Pile, Provides Combing Action
For Greater Air Flow
Heavyweight, Allows Deeper Penetration In To Carpet Nap
For Close Cut Pile, Provides Combing Action
For Greater Air Flow
For Cut Pile Carpet
For Commercial Type, No Pile Carpet
For Loop Or Deep Pile Carpet
For Loop Or Deep Pile Carpet
For Cut Pile Carpet

TOOL KITS

1094999 Floor Tools and Lite Hi UP
1094941 Wand Extension
1094951 Wand Adaptor
1094961 Round Brush
1094971 16" Hard Floor Tool
1094981 Telescopic Wand
2290409 1.5" Aluminum Tube Handle
2595101 10 Ft. Super Flex Hose
3091659 Tool - 18" with Bristle Shoe
3092311 1.5 x 28" Plastic Crevice Tool
3097109 16" Lint Lifter
2590019 1 1/2" Swiveled Hose Coupling (includes)
2590111 Hose Coupling Gasket

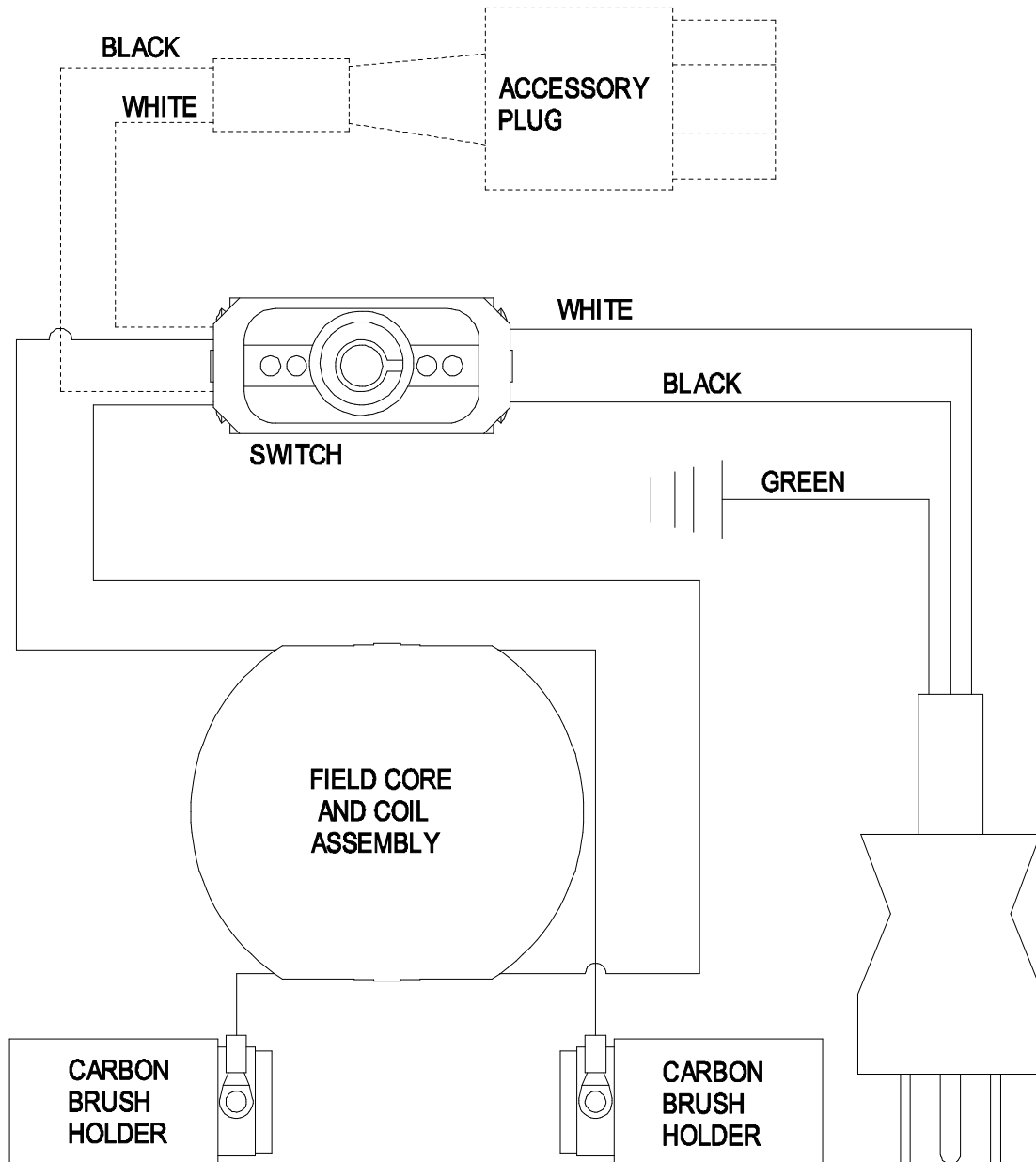
1095009 Light Weight Tool Kit - includes:
1094941 Wand Extension
1094951 Wand Adaptor
1094961 Round Brush
1094971 16" Hard Floor Tool
1094981 Telescopic Wand
2595101 10 Ft. Super Flex Hose

TOOLS

1092701 #2 Phillips screwdriver

WIRING DIAGRAM

NOTE: DASHED LINES ARE FOR MODELS WITH THE ACCESSORY PLUG ONLY.



NSS® Enterprises, Inc.

3115 Frenchmens Road, Toledo, Ohio 43607
PHONE (419) 531-2121 FAX (419) 531-3761

NSS® Enterprises, Inc. European Distribution Centre
Unit II, Pinfold Trading Estate * 55 Nottingham Road
STAPLEFORD, NOTTINGHAM NG9 8AD ENGLAND U.K.
PHONE: (44) 0115 939 1568 * FAX: (44) 0115 949 0615