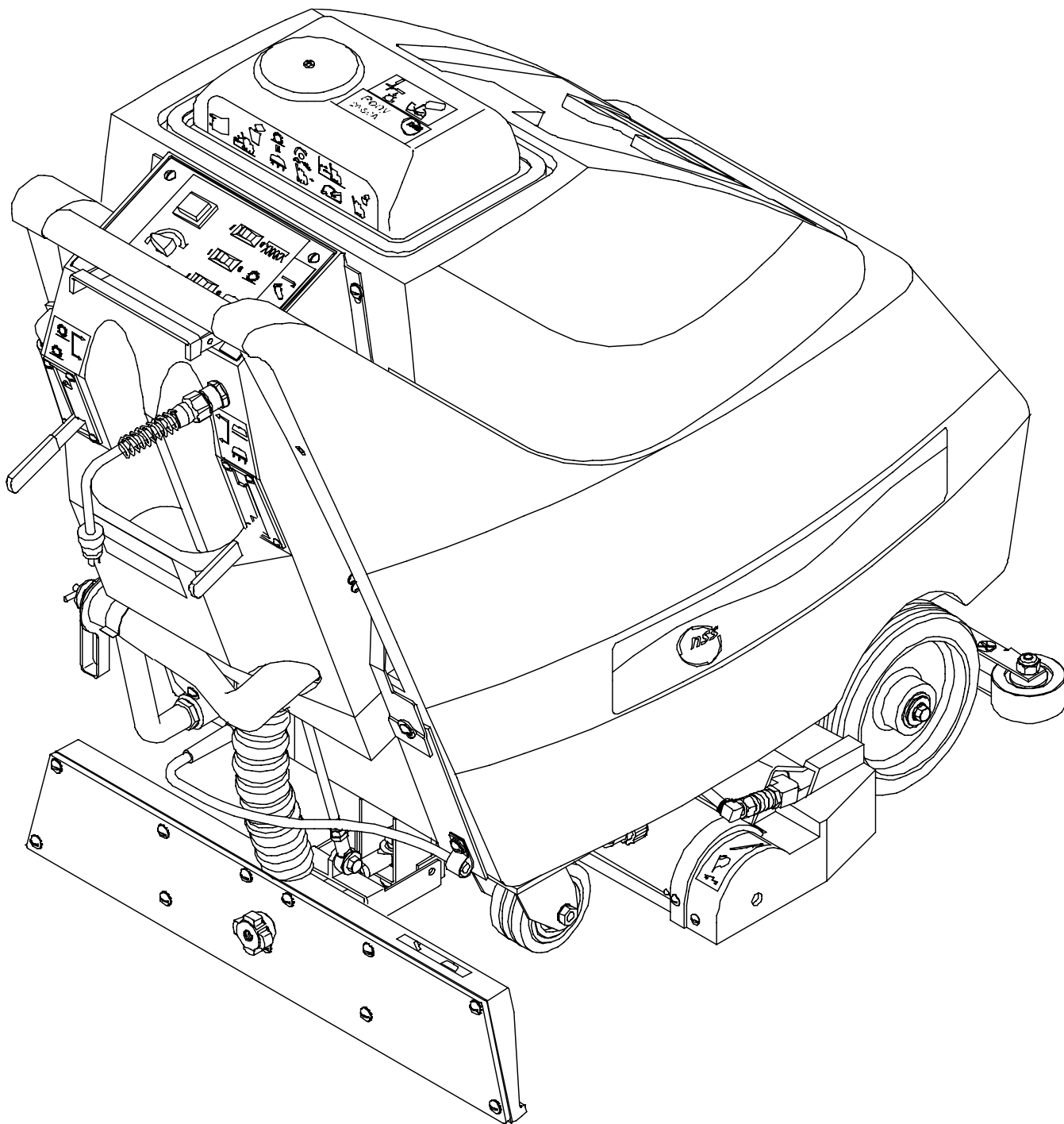


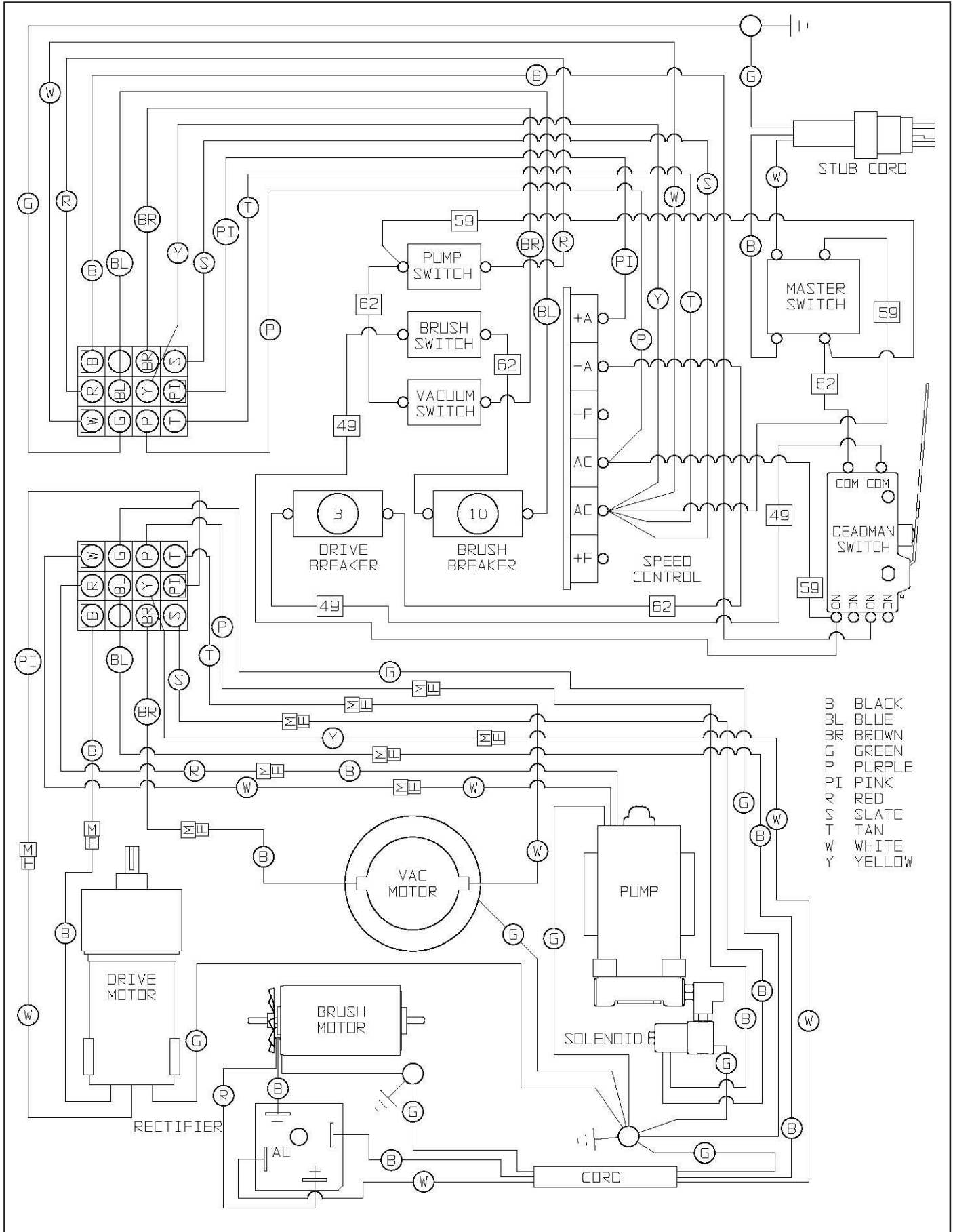
PARTS LIST
PONY 20 SCA



WIRING DIAGRAM

<u>PART NO.</u>	<u>PART DESCRIPTION</u>
4990601	GEARMOTOR - 120 VOLT
4990581	GEARMOTOR - 240 VOLT
4890391	VAC MOTOR - 115 VOLT
4891251	VAC MOTOR - 240 VOLT
4991321	BRUSH MOTOR - 120 VOLT
4991331	BRUSH MOTOR - 240 VOLT
4894591	PUMP - 80 PSI - 115 VOLT
4894881	PUMP - 240 VOLT
4894781	SOLENOID VALVE - 115 VOLT
4891271	SOLENOID VALVE - 240 VOLT
4990301	CIRCUIT BREAKER - 3 AMP - 120 VOLT
4990311	CIRCUIT BREAKER - 1.5 AMP - 240 VOLT
4891851	CIRCUIT BREAKER 1 AMP
4991841	MASTER SWITCH
4890751	ROCKER SWITCH
4991271	LIMIT - SWITCH
4990571	SPEED CONTROL - INCLUDES KNOB
5492741	RECTIFIER - 60 AMP
4990661	POWER CORD - 12-3 - 120 VOLT - 75 FOOT - WITH TWIST LOCK
0299671	SHUKO CORD - 240 VOLT - 75 FOOT
4992811	17" STUB CORD
4991401	CORD - BASE TO CONNECTOR
4991411	CORD - CONNECTOR TO CONTROL PANEL
4990161	GROUND WIRE - 16 X 4
2792161	WIRE ASSEMBLY - 14 X 12" - # 49
2792221	WIRE ASSEMBLY - 14 X 10
2792371	WIRE 14 X 6" - # 62
0298981	#10 RING TERMINAL 14-16 GAGE
2490961	#6 RING TERMINAL 18-22 GAGE
2690571	1/4 SLIP-ON FEMALE TERMINAL 10 - 12 GAGE
3290671	1/4 INSULATED FEMALE TERMINAL
4891701	FEMALE TWIST LOCK
4991361	FULLY INSULATED FEMALE TERMINAL 18 - 20 GAGE
4991371	1/4 FULLY INSULATED MALE TERMINAL 18-22 GAGE
5490161	FULLY INSULATED FEMALE TERMINAL 14-16 GAGE

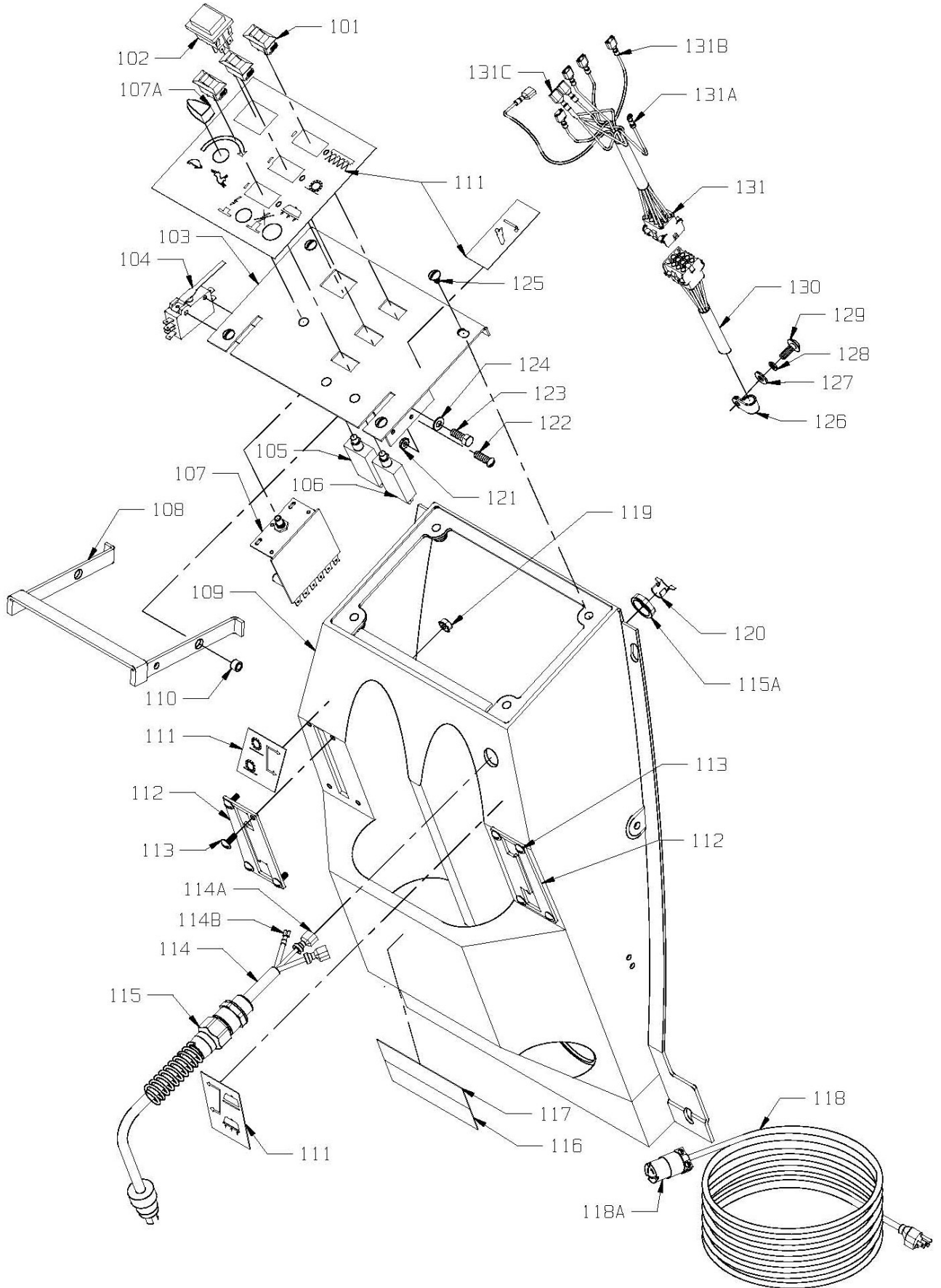
WIRING DIAGRAM



CONTROL PANEL ASSEMBLY

ITEM	PART NO.	PART DESCRIPTION	QTY.
101	4890751	ROCKER SWITCH - WITH COVER	3
102	4991841	SWITCH - MASTER - WITH COVER	1
103	4991863	SWITCH PANEL	1
104	4991271	SWITCH - LIMIT	1
105	4990301	CIRCUIT BREAKER 3 AMP - 120 VOLT	1
	4990311	CIRCUIT BREAKER 1.5 AMP - 240 VOLT	1
106	4891851	CIRCUIT BREAKER 1 AMP	1
107	4990571	SPEED CONTROL - 120 / 240 VOLT - WITH KNOB	1
108	4990443	DEADMAN LEVER	1
109	4990101	CONTROL PANEL	1
110	2791281	BUSHING SPACER	2
111	4992901	BLACK / WHITE LABEL KIT	1
112	4990643	PLATE - LIFT LEVER GUIDE	2
113	9120410	10-24 X 1/2 ROUND HEAD PHILLIPS MACHINE SCREW - PACK OF 10	8
114	4992811	17" STUB CORD - INCLUDES:	1
114A	5490161	FULLY INSULATED FEMALE TERMINAL 14-16 GAGE	2
114B	3290671	1/4 INSULATED FEMALE TERMINAL	1
115	0299531	STRAIN RELIEF INCLUDES:	1
115A	0891131	PLASTIC STRAIN RELIEF NUT	1
116	0190901	WARNING LABEL	1
117	0190911	GROUNDING LABEL	1
118	4990661	POWER CORD - 12-3 - 120 VOLT - 75 FOOT - INCLUDES:	1
118A	4891701	FEMALE TWIST LOCK	1
118	0299671	SHUKO CORD - 240 VOLT - 75 FOOT	1
119	9120360	10-24 HEX NUT WITH STAR LOCK WASHER - PACK OF 10	8
120	0299661	STRAIN RELIEF CORD CLAMP	1
121	9120020	6-32 HEX NUT WITH STAR LOCK WASHER - PACK OF 10	3
122	9120100	6-32 X 1 ROUND HEAD PHILLIPS MACHINE SCREW - PACK OF 10	1
123	9121250	1/4-20 X 3/4 HEX BOLT - PACK OF 10	1
124	9120930	9/32 I.D. X 5/8 O.D. X .051/.080 THICK FLAT WASHER (1/4) PACK OF 10	1
125	9120740	10-32 X 3/8 TRUSS HEAD PHILLIPS MACHINE SCREW - PACK OF 10	4
126	5294201	NYLON CABLE CLAMP	1
127	9120370	7/32 I.D. X 1/2 O.D. X .032/.065 THICK FLAT WASHER (#10) PACK OF 10	1
128	9120320	10 SPLIT LOCK WASHER - PACK OF 10	1
129	9120410	10-24 X 1/2 ROUND HEAD PHILLIPS MACHINE SCREW - PACK OF 10	1
130	4991401	CORD - BASE TO CONNECTOR - INCLUDES:	1
130A	2690571	FULLY INSULATED FEMALE TERMINAL 18 - 20 GAGE	10
130B	2490961	1/4 SLIP-ON FEMALE TERMINAL 10 - 12 GAGE	1
131	4991411	CORD - CONNECTOR TO CONTROL PANEL - INCLUDES:	1
131A	0298981	#10 RING TERMINAL - 14-16 GAGE	1
131B	4991361	FULLY INSULATED FEMALE TERMINAL 18 - 20 GAGE	6
131C	5490161	FULLY INSULATED FEMALE TERMINAL 14-16 GAGE	1

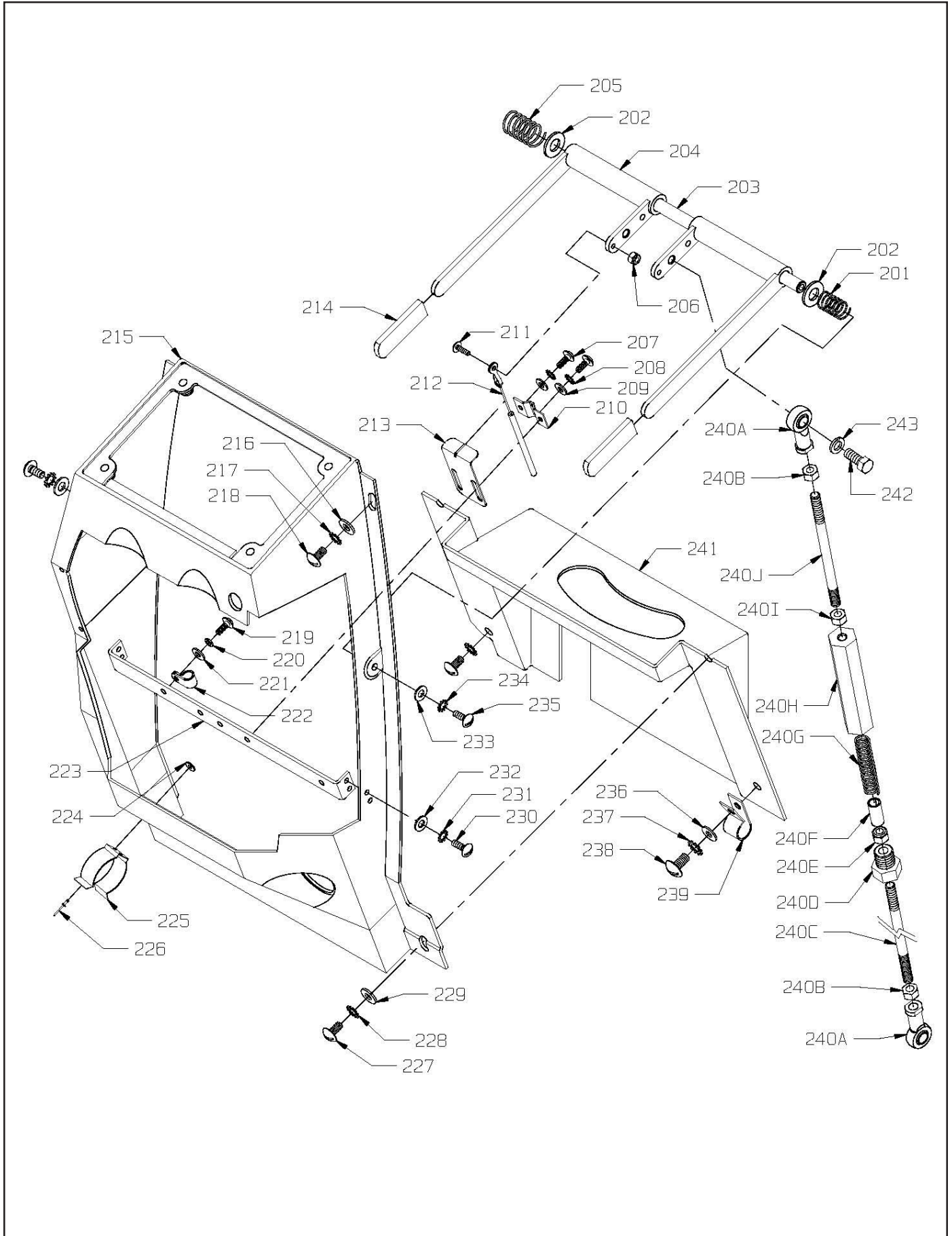
CONTROL PANEL ASSEMBLY



BACK PANEL ASSEMBLY

ITEM	PART NO.	PART DESCRIPTION	QTY.
201	3695581	HEIGHT ADJUSTING SPRING	1
202	9122465	.516 I.D. X .813 O.D. X .027/.030 THICK FLAT WASHER - PACK OF 2	2
203	4990611	ROD LIFT LEVER PIVOT	1
204	4990703	LIFT LEVER VAC AND BRUSH	2
205	2790561	SPRING - SKIRT LATCH	1
206	9120350	10-24 HEX NUT WITH NY-LOCK INSERT - PACK OF 10	1
207	9120420	10-24 X 5/8 ROUND HEAD PHILLIPS MACHINE SCREW - PACK OF 10	2
208	9120330	10 EXTERNAL STAR LOCK WASHER - PACK OF 10	2
209	9120370	7/32 I.D. X 1/2 O.D. X .032/.065 THICK FLAT WASHER (#10) PACK OF 10	2
210	4890706	CABLE CLAMP - FRONT	1
211	9120420	10-24 X 5/8 ROUND HEAD PHILLIPS MACHINE SCREW - PACK OF 10	1
212	4990391	CABLE BRUSH LIFT	1
213	4990421	BRUSH CABLE ADJUSTMENT BRACKET	1
214	2391181	GRIP - VALVE LEVER	2
215	4990101	CONTROL PANEL	1
216	9120930	9/32 I.D. X 5/8 O.D. X .051/.080 THICK FLAT WASHER (1/4) PACK OF 10	2
217	9120970	1/4 EXTERNAL STAR LOCK WASHER - PACK OF 10	2
218	9121090	1/4-20 X 1/2 TRUSS HEAD PHILLIPS MACHINE SCREW - PACK OF 5	2
219	9120410	10-24 X 1/2 ROUND HEAD PHILLIPS MACHINE SCREW - PACK OF 10	1
220	9120320	10 SPLIT LOCK WASHER - PACK OF 10	1
221	9120370	7/32 I.D. X 1/2 O.D. X .032/.065 THICK FLAT WASHER (#10) PACK OF 10	1
222	5294201	NYLON CABLE CLAMP	1
223	4991253	CABLE CLAMP BRACKET	1
224	9120027	5/32 I.D. X 3/8 O.D. X 5/64 THICK FLAT WASHER (#6) - PACK OF 5	2
225	7691921	SPRING CLIP - HOSE	1
226	2391751	1/8" X 5/8" POP RIVET	2
227	9121090	1/4-20 X 1/2 TRUSS HEAD PHILLIPS MACHINE SCREW - PACK OF 5	2
228	9120970	1/4 EXTERNAL STAR LOCK WASHER - PACK OF 2	2
229	9121400	3/8 I.D. X 7/8 O.D. X .064/.104 THICK WROUGHT WASHER (5/16) - PACK OF 10	2
230	9120410	10-24 X 1/2 ROUND HEAD PHILLIPS MACHINE SCREW - PACK OF 10	4
231	9120330	10 EXTERNAL STAR LOCK WASHER - PACK OF 10	4
232	9120370	7/32 I.D. X 1/2 O.D. X .032/.065 THICK FLAT WASHER (#10) PACK OF 10	4
233	9120930	9/32 I.D. X 5/8 O.D. X .051/.080 THICK FLAT WASHER (1/4) PACK OF 10	2
234	9120970	1/4 EXTERNAL STAR LOCK WASHER - PACK OF 10	2
235	9121010	1/4-20 X 3/4 TRUSS HEAD PHILLIPS MACHINE SCREW - PACK OF 5	2
236	9120930	9/32 I.D. X 5/8 O.D. X .051/.080 THICK FLAT WASHER (1/4) PACK OF 10	1
237	9120970	1/4 EXTERNAL STAR LOCK WASHER - PACK OF 10	2
238	9121090	1/4-20 X 1/2 TRUSS HEAD PHILLIPS MACHINE SCREW - PACK OF 5	2
239	4890851	CABLE CLAMP, #COV-090 KMC	1
240	4990119	VAC SHOE PRESSURE ROD ASSEMBLY - INCLUDES:	1
240A	4490531	3/8" ROD END	2
240B	9122010	3/8-24 HEX NUT - PACK OF 5	2
240C	2691801	MEDIUM LIFT ROD	1
240D	2691831	HOUSING - SPRING - RETAINER PLATE	1
240E	9122140	3/8-16 HEX NUT WITH NY-LOCK INSERT - PACK OF 5	1
240F	0690661	PIVOT SPACER	1
240G	4990121	SPRING	1
240H	2691821	HOUSING - SPRING - BRUSH LIFT	1
240I	9122000	3/8-16 HEX NUT - PACK OF 10	1
240J	4990131	SHORT PUSH ROD - VAC SHOE	1
241	4990761	LOWER PANEL	1
242	9122260	3/8-16 X 1 HEX BOLT - PACK OF 2	1
243	9122100	3/8 SPLIT LOCK WASHER - PACK OF 10	1

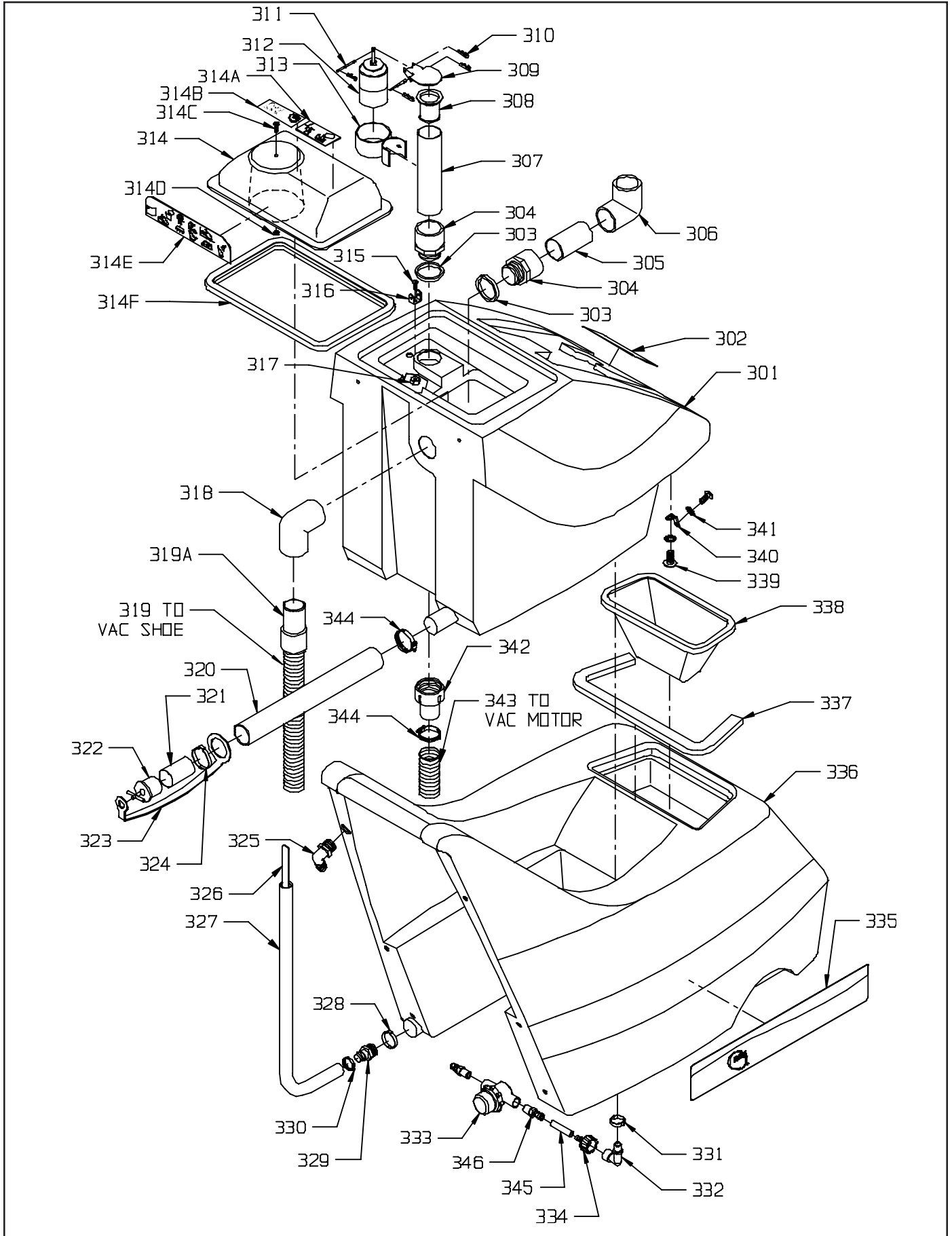
BACK PANEL ASSEMBLY



RECOVERY AND SOLUTION TANK ASSEMBLY

ITEM	PART NO.	PART DESCRIPTION	QTY.
301	4990021	RECOVERY TANK	1
302	0393531	NSS LOGO DECAL	1
303	3890401	DRAIN VALVE GASKET	2
304	4890281	ADAPTOR	2
305	4991111	TUBE	1
306	4898181	ELBOW	1
307	4990631	STACK -VACUUM	1
308	4890111	LINT SCREEN	1
309	4890303	SHUT-OFF PLATE	1
310	4891441	COTTER PIN - HAIR SPRING	6
311	4890321	FLOAT PIN	2
312	4890139	FLOAT ASSEMBLY	1
313	4990373	FLOAT GUIDE	1
314	4991649	CLEAR PLASTIC DOME ASSEMBLY - INCLUDES:	1
314	4990191	CLEAR PLASTIC DOME	1
314A	4892161	DEFOAMER LABEL	1
314B	4992881	IDENTIFIER DECAL	1
314C	9120430	10-24 X 3/4 ROUND HEAD PHILLIPS MACHINE SCREW - PACK OF 10	1
314D	9120350	10-24 HEX NUT WITH NY-LOCK INSERT - PACK OF 10	1
314E	4992921	INSTRUCTION DECAL FOR DOME	1
314F	4991011	DOME GASKET	1
315	9120430	10-24 X 3/4 ROUND HEAD PHILLIPS MACHINE SCREW - PACK OF 10	1
316	4991003	BRACKET - FLOAT MOUNT	1
317	9120350	10-24 HEX NUT WITH NY-LOCK INSERT - PACK OF 10	1
318	4898181	90° ELBOW	1
319	4991151	HOSE - RECOVERY TANK TO VAC SHOE - INCLUDES:	1
319A	2599231	HOSE CUFF	1
320	4992611	DRAIN HOSE - 15"	1
321	2391661	HOSE TUBE	1
322	2795621	DRAIN PLUG	1
323	2791881	PLUG STRAP	1
324	2393451	HOSE CLAMP - 1 13/16	1
325	4990221	DRAIN ELBOW - 3/4 MPT X 3/4" HOSE BARB	1
326	4992771	SOLUTION GAGE	1
327	8791030	VINYL HOSE - 3/4" I.D. X 1" O.D.	2.5FT
328	4991231	CLAMP - DRAIN HOSE	1
329	4991121	DRAIN FITTING	1
330	2392141	HOSE CLAMP - 11/16" TO 1 1/4"	1
331	4991241	CLAMP - FILTER	1
332	4992291	3/8 NPT -MALE GHT 90° NYLON FITTING	1
333	4992391	INLINE CANISTER STRAINER	1
334	4992281	3/8 HOSE BARB - GHT SWIVEL NYLON FITTING	1
335	7691891	NSS LOGO DECAL - 3.5 X 20	1
336	4990011	SOLUTION TANK	1
337	8891100	GASKET MATERIAL - 1/2" X 1"	1.5FT
338	4891311	FILTER SCREEN BAG - BLACK - INCLUDES:	1
338A	4891321	BAG RING	1
339	9121040	1/4-20 X 5/8 PAN HEAD PHILLIPS MACHINE SCREW - PACK OF 5	2
340	4891663	BRACKET - RECOVERY TANK HOLD DOWN	1
341	9120970	1/4 EXTERNAL STAR LOCK WASHER - PACK OF 2	2
342	4890292	HOSE BARB	1
343	4991141	HOSE - RECOVERY TANK TO VAC MOTOR	1
344	4892671	HOSE CLAMP - 1 1/16" TO 2"	2
345	8791070	CLEAR HOSE - .375" I.D. X .50" O.D. X 3.00" LONG	1
346	4992411	3/8 BARB X 1/4 NPT FITTING	2

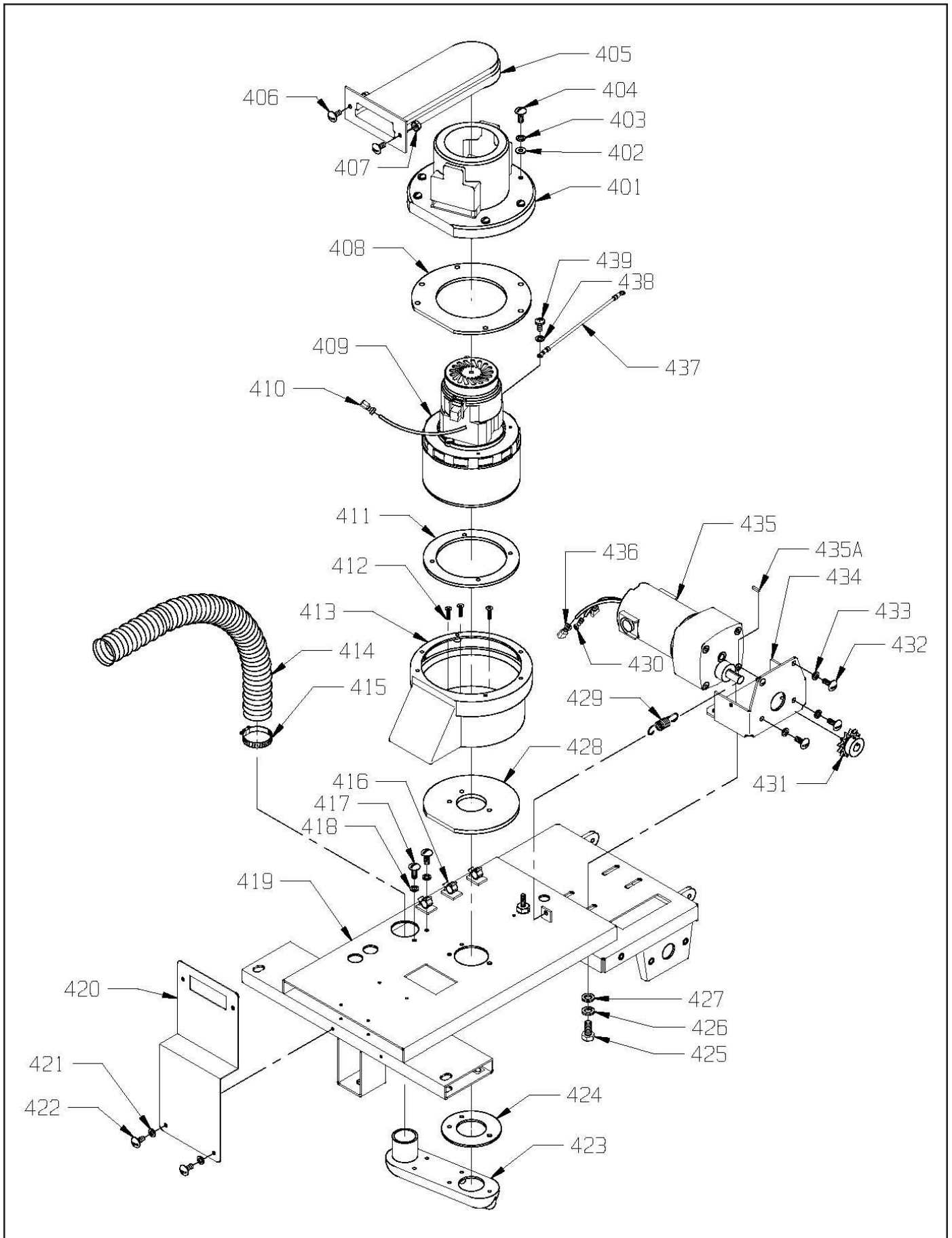
RECOVERY AND SOLUTIONS TANK ASSEMBLY



MOTORS AND CHASSIS ASSEMBLY

ITEM	PART NO.	PART DESCRIPTION	QTY.
401	4890051	MOTOR SPLASH COVER	1
402	9120370	7/32 I.D. X 1/2 O.D. X .032/.065 THICK FLAT WASHER (#10) PACK OF 10	6
403	9120320	10 SPLIT LOCK WASHER - PACK OF 10	6
404	9120730	10-32 X 1/2 ROUND HEAD PHILLIPS MACHINE SCREW - PACK OF 10	6
405	4890061	COOLING DUCT	1
406	9120380	10-24 X 3/8 ROUND HEAD PHILLIPS MACHINE SCREW - PACK OF 10	2
407	9120360	10-24 HEX NUT WITH STAR LOCK WASHER - PACK OF 10	2
408	4890431	GASKET - TOP VAC MOTOR	1
409	4890391	VAC MOTOR - 115 VOLT	1
	4891251	VAC MOTOR - 240 VOLT	1
410	4991371	FULLY INSULATED MALE TERMINAL - 18-22 GAGE	2
411	4690101	GASKET - VAC MOTOR / FLOAT	1
412	9120772	10-32 X 3/4 FLAT HEAD PHILLIPS MACHINE SCREW - PACK OF 10	3
413	4890071	EXHAUST CHAMBER	1
414	4991141	VAC HOSE - VAC MOTOR TO RECOVERY TANK	1
415	4892671	HOSE CLAMP 1 1/16" TO 2"	1
416	2790111	WIRE CLIP	3
417	9120730	10-32 X 1/2 ROUND HEAD PHILLIPS MACHINE SCREW - PACK OF 10	2
418	9120320	10 SPLIT LOCK WASHER - PACK OF 10	2
419	4990263	MAIN FRAME	1
420	4991133	AIR INTAKE SUPPORT	1
421	9120320	10 SPLIT LOCK WASHER - PACK OF 10	2
422	9120380	10-24 X 3/8 ROUND HEAD PHILLIPS MACHINE SCREW - PACK OF 10	2
423	4890081	VACUUM INTAKE TUBE	1
424	4890471	GASKET - VAC INTAKE	1
425	9121210	1/4-20 X 5/8 HEX BOLT - PACK OF 10	4
426	9120880	1/4 SPLIT LOCK WASHER - PACK OF 10	4
427	9120930	9/32 I.D. X 5/8 O.D. X .051/.080 THICK FLAT WASHER (1/4) PACK OF 10	4
428	4891721	GASKET - VAC MOTOR	1
429	4990241	SPRING - WHEEL ADJUSTING	1
430	0298981	#10 RING TERMINAL 14-16 GAGE	1
431	4990381	SPROCKET - DRIVE MOTOR - 12 TEETH	1
432	9120730	10-32 X 1/2 ROUND HEAD PHILLIPS MACHINE SCREW - PACK OF 10	4
433	9120320	10 SPLIT LOCK WASHER - PACK OF 10	4
434	4990283	BRACKET - DRIVE MOTOR	1
435	4990601	GEAR MOTOR - 120 VOLT - INCLUDES:	1
435A	9120303	1/8 SQUARE X 1/2 LONG KEY	1
435	4990581	GEAR MOTOR - 240 VOLT - INCLUDES:	1
435A	9120303	1/8 SQUARE X 1/2 LONG KEY	1
436	4991371	FULLY INSULATED MALE TERMINAL - 18-22 GAGE	2
437	3290691	GREEN WIRE - GROUND TO MOTOR	1
438	9120320	10 SPLIT LOCK WASHER - PACK OF 10	1
439	9120590	10-24 X 3/8 PAN HEAD PHILLIPS THREAD CUTTING SCREW - PACK OF 10	1

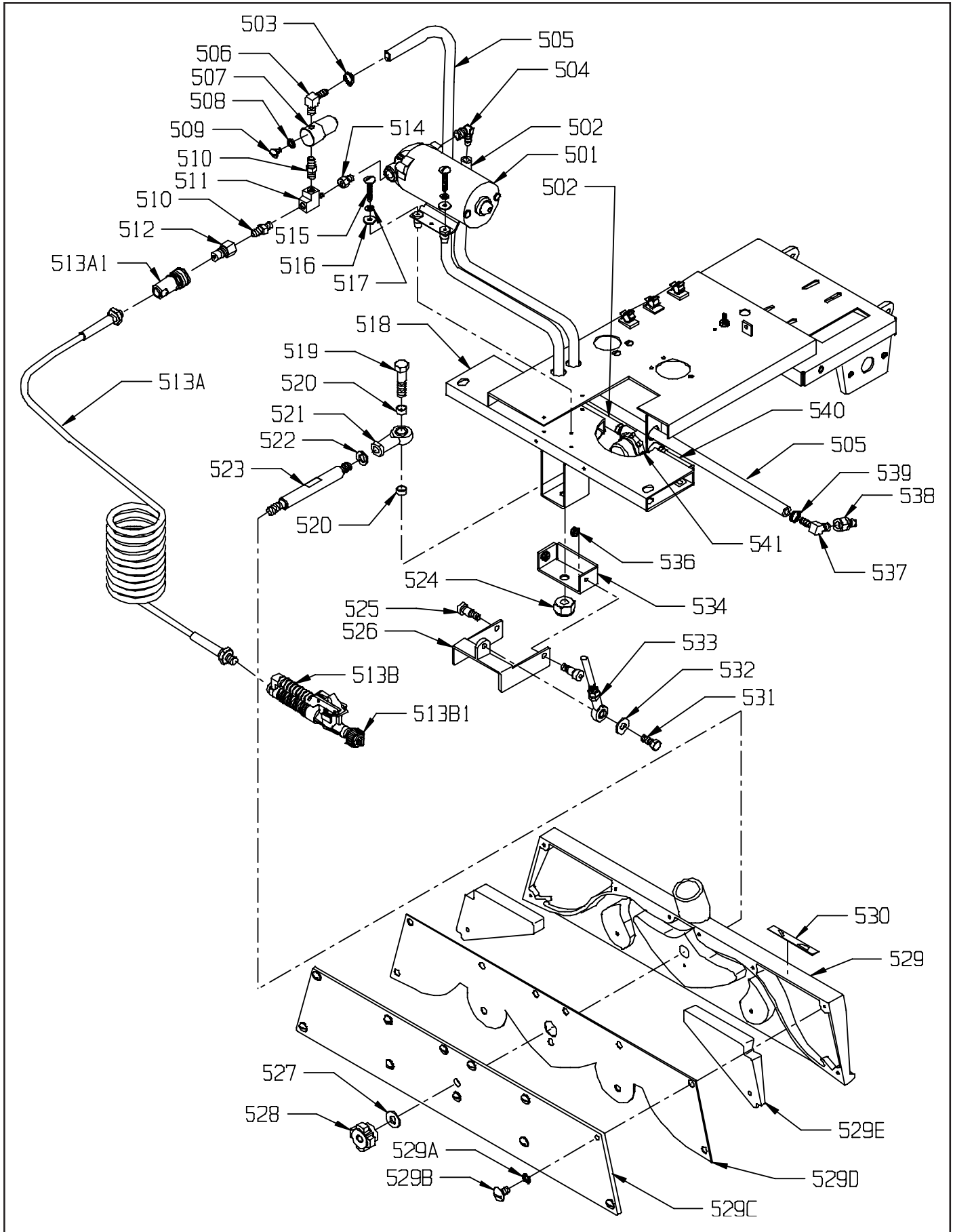
MOTORS AND CHASSIS ASSEMBLY



PUMP AND SHOE ASSEMBLY

ITEM	PART NO.	PART DESCRIPTION	QTY.
501	4894591	PUMP - 80 PSI - 115 VOLT	1
	4894881	PUMP - 240 VOLT	1
502	8791070	CLEAR HOSE - .375" I.D. X .50" O.D. 6 50" LONG	1
504	4891881	90 DEGREE HOSE BARB - 3/8" NPT	1
505	4991311	HOSE - 3/8" DIAMETER X 26" LONG - SOLENOID TO SPRAYER	1
506	2791791	90 DEGREE HOSE BARB - 1/4 NPT	1
507	4894781	SOLENOID VALVE - 115 VOLT	1
	4891271	SOLENOID VALVE - 240 VOLT	1
508	9120180	8 INTERNAL STAR LOCK WASHER - PACK OF 10	1
509	9120220	8-32 X 3/8 ROUND HEAD PHILLIPS MACHINE SCREW - PACK OF 10	1
510	3891941	1/4 HEX NIPPLE	2
511	4390611	STREET TEE 1/4" NPT	1
512	3590751	MALE QUICK CONNECT	1
513	4991949	SPRAY GUN HOSE ASSEMBLY - INCLUDES:	1
513A	4992851	SPRAY GUN HOSE - INCLUDES:	1
513A1	3590511	FEMALE QUICK CONNECT	1
513B	4991261	SPRAY GUN - INCLUDES:	1
513B1	4990991	SPRAY TIP	1
514	4890211	BUSHING - BRASS 1/4 F - 3/8 M - NPT	1
515	9120450	10-24 X 1 ROUND HEAD PHILLIPS MACHINE SCREW - PACK OF 10	4
516	9120370	7/32 I.D. X 1/2 O.D. X .032/.065 THICK FLAT WASHER (#10) - PACK OF 10	4
517	9120320	10 SPLIT LOCK WASHER - PACK OF 10	4
518	4990263	MAIN FRAME ASSEMBLY	1
519	9122580	1/2-13 X 2 HEX BOLT - PACK OF 1	1
520	2391461	BUSHING - LIFT LEVER	2
521	2391941	BALL JOINT	1
522	9122420	1/2 SPLIT LOCK WASHER - PACK OF 5	1
523	4990536	PIVOT ARM - VAC TOOL	1
524	9122495	1/2-13 HEX NUT WITH NY-LOCK INSERT - THIN - PACK OF 1	1
525	9121550	5/16 DIAMETER X 3/8 LONG SOCKET HEAD SHOULDER BOLT (1/4-20) PACK OF 1	2
526	4990453	LIFT BRACKET - VAC TOOL	1
527	9122450	17/32 I.D. X 1 1/16 O.D. X .074/.121 THICK FLAT WASHER (1/2) - PACK OF 5	1
528	4990542	KNOB - VAC TOOL	1
529	4991639	VAC TOOL ASSEMBLY - INCLUDES:	1
529	4990093	VAC SHOE	1
529A	9120970	1/4 EXTERNAL STAR LOCK WASHER - PACK OF 10	11
529B	9121090	1/4-20 X 1/2 TRUSS HEAD PHILLIPS MACHINE SCREW - PACK OF 5	11
529C	4990723	PLATE - VAC SHOE COVER	1
529D	4990711	GASKET - VAC SHOE COVER	1
529E	4990891	WEIGHT - VAC SHOE	2
530	4992901	BLACK / WHITE LABEL KIT	1
531	9122260	3/8-16 X 1 HEX BOLT - PACK OF 2	1
532	9122100	3/8 SPLIT LOCK WASHER - PACK OF 10	1
533	4990119	VAC SHOE PRESSURE ROD ASSEMBLY	1
534	4990463	LIFT BRACKET SUPPORT	1
536	9120910	1/4-20 HEX NUT WITH STAR LOCK WASHER - PACK OF 10	1
537	2791791	90 DEGREE HOSE BARB - 1/4 NPT	1
538	4991291	MALE QUICK CONNECT	1
539	4892651	HOSE CLAMP - 1/4" TO 13/16"	1
540	8791070	CLEAR HOSE, .375" I.D. X .50" O.D. 3.00" LONG	1
541	4992391	INLINE CANISTER STRAINER	1

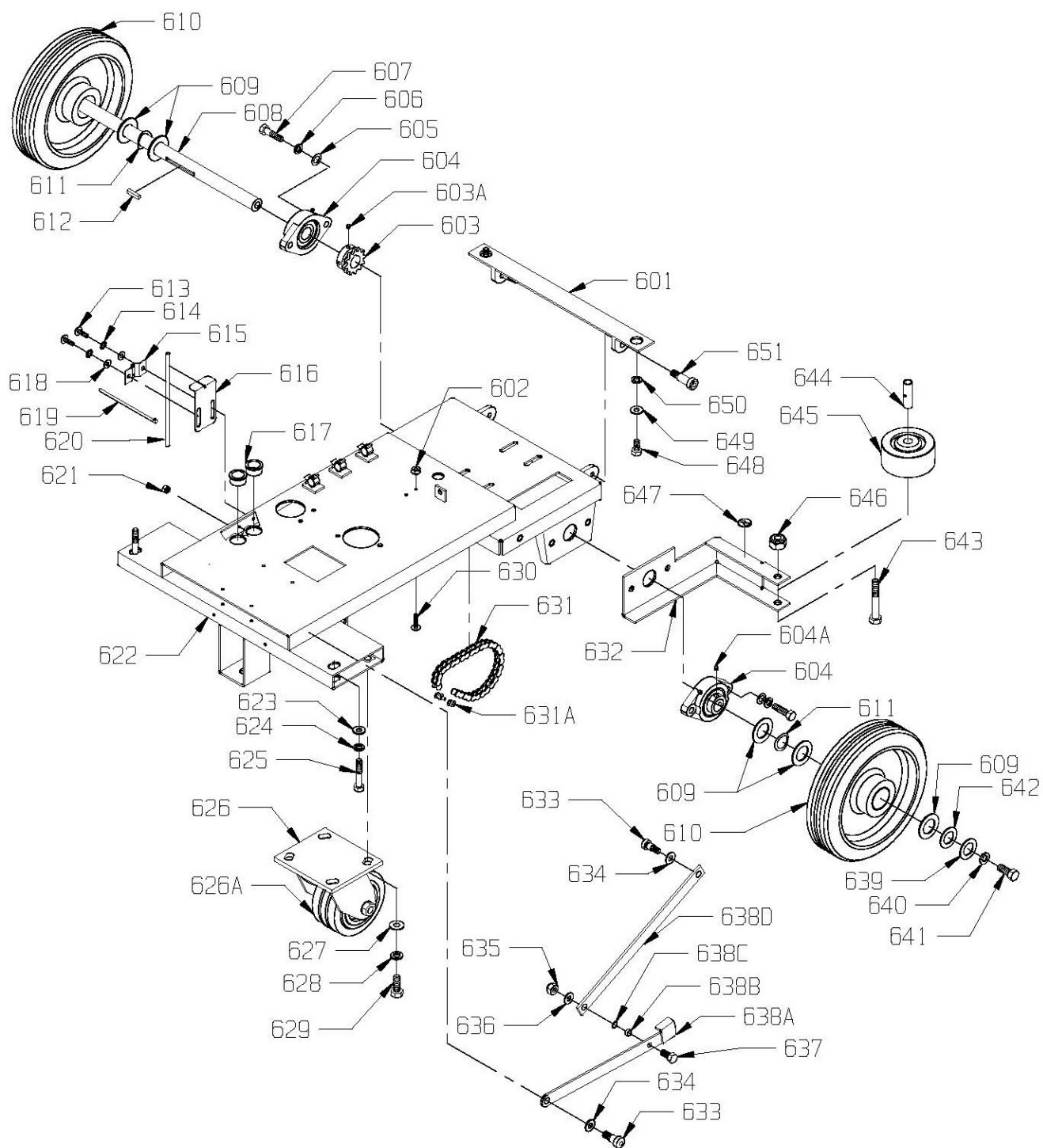
PUMP AND SHOE ASSEMBLY



WHEEL AND CHASSIS ASSEMBLY

<u>ITEM</u>	<u>PART NO.</u>	<u>PART DESCRIPTION</u>	<u>QTY.</u>
601	4991223	HINGE BRACKET	1
602	9120360	10-24 HEX NUT WITH STAR LOCK WASHER - PACK OF 10	1
603	4990401	SPROCKET - DRIVE AXLE - INCLUDES:	1
603A	9120860	1/4-20 X 3/8 SET SCREW - CUP POINT - PACK OF 5	1
604	4990551	BEARING - MAIN AXLE	2
604A	9121365	1/4-28 X 1/4 SET SCREW - KNURL CUP - PACK OF 1	2
605	9121390	11/32 I.D. X 11/16 O.D. X .051/.080 THICK FLAT WASHER (5/16) PACK OF 10	4
606	9121520	5/16 SPLIT LOCK WASHER - PACK OF 10	4
607	9121720	5/16-18 X 1 1/4 HEX FULL THREADED BOLT - PACK OF 2	4
608	4990276	DRIVE AXLE	1
609	4991091	3/4 I.D. X 1 1/2 O.D. X FLAT WASHER - PLASTIC - PACK OF 1	6
610	4991609	DRIVE WHEEL ASSEMBLY - INCLUDES:	2
610A	4990061	8" WHEEL WITH GROOVES	1
610B	4990341	BEARING - WHEEL CLUTCH	2
610C	4990946	BUSHING - WHEEL	1
611	9123110	13/16 I.D. X 1 1/8 O.D. X .13 THICK 1 WAVE SPRING WASHER (3/4) PACK OF 1	2
612	9120825	3/16 SQUARE X 7/8 LONG KEY - STEEL - PACK OF 1	1
613	9120420	10-24 X 5/8 ROUND HEAD PHILLIPS MACHINE SCREW - PACK OF 10	2
614	9120330	10 EXTERNAL STAR LOCK WASHER - PACK OF 10	2
615	4890706	FRONT CLAMP	1
616	4990421	BRUSH CABLE ADJUSTMENT BRACKET	1
617	4890451	BUSHING - SNAP IN	5
618	9120370	7/32 I.D. X 1/2 O.D. X .032/.065 THICK FLAT WASHER (#10) PACK OF 10	2
619	9123000	11" LONG WIRE TIE	1
620	4990391	CABLE BRUSH LIFT	1
621	9120350	10-24 HEX NUT WITH NY-LOCK INSERT - PACK OF 10	2
622	4990263	MAIN FRAME ASSEMBLY	1
623	9121390	11/32 I.D. X 11/16 O.D. X .051/.080 THICK FLAT WASHER (5/16) PACK OF 10	2
624	9121520	5/16 SPLIT LOCK WASHER - PACK OF 10	2
625	9121760	5/16-18 X 1 3/4 HEX BOLT - PACK OF 2	2
626	6492061	RED 4 INCH CASTER - INCLUDES:	2
626A	4490391	RED CASTER ONLY	1
627	9122180	13/32 I.D. X 13/16 O.D. X .051/.080 THICK WROUGHT WASHER (3/8) - PACK OF 10	6
628	9122100	3/8 SPLIT LOCK WASHER - PACK OF 10	6
629	9122260	3/8-16 X 1 HEX BOLT - PACK OF 2	6
630	9120430	10-24 X 3/4 ROUND HEAD PHILLIPS MACHINE SCREW - PACK OF 10	1
631	4990749	ROLLER CHAIN 31 LINK PLUS MASTER - INCLUDES:	1
	4990741	#35 X 31 CHAIN NO MASTER LINK	1
631A	4990751	LINK - MASTER #35 CHAIN	1
632	4991203	BRACKET - BUMPER WHEEL	1
633	9122020	3/8 DIAMETER X 3/8 LONG SOCKET HEAD SHOULDER BOLT (5/16-18) PACK OF 1	2
634	9121390	11/32 I.D. X 11/16 O.D. X .051/.080 THICK FLAT WASHER (5/16) PACK OF 10	2
635	9120890	1/4-20 HEX NUT WITH NY-LOCK INSERT - THIN - PACK OF 5	1
636	9120930	9/32 I.D. X 5/8 O.D. X .051/.080 THICK FLAT WASHER (1/4) PACK OF 10	1
637	9121210	1/4-20 X 5/8 HEX BOLT - PACK OF 10	1
638	4991929	PROP ROD ASSEMBLY - INCLUDES:	
638A	4991901	LOWER PROP ROD	1
638B	3190201	BRUSH SPACER	1
638C	9122120	3/8 I.D. X 5/8 O.D. X .031 THICK 1 WAVE SPRING WASHER (3/8) - PACK OF 5	1
638D	4991911	UPPER PROP ROD	1
639	9121980	7/16 I.D. X 1 O.D. X .075/.080 THICK FLAT WASHER (3/8) - PACK OF 2	2
640	9122100	3/8 SPLIT LOCK WASHER - PACK OF 10	2
641	9122260	3/8-16 X 1 HEX BOLT - PACK OF 2	2
642	4991081	3/4 I.D. X 1 1/4 O.D. X .031 THICK FLAT WASHER - PACK OF 1	2
643	9122080	3/8-16 X 2 1/2 HEX BOLT - PACK OF 1	1

WHEEL AND CHASSIS ASSEMBLY

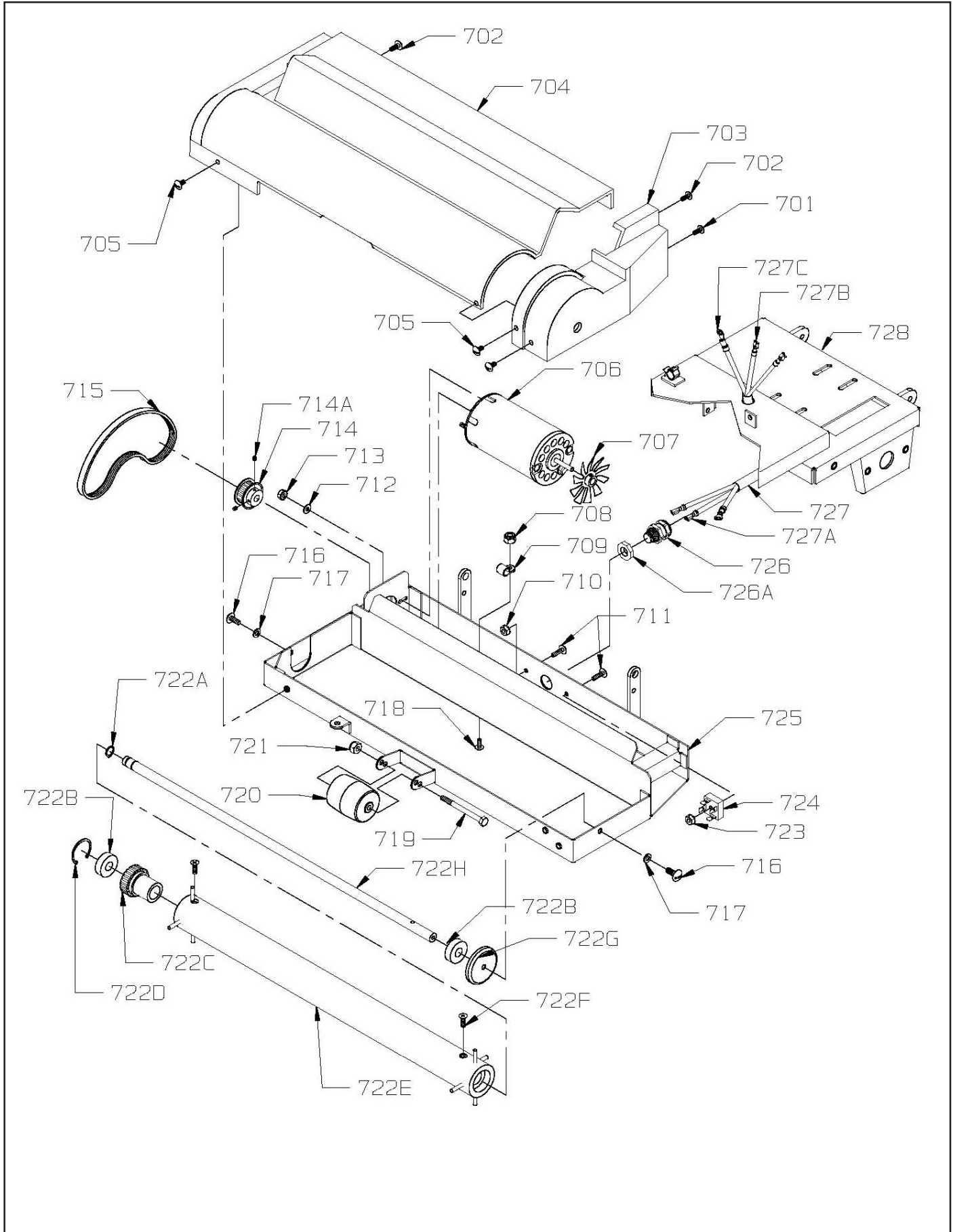


644	5294391	AXLE SPACER	1
645	2790281	3" BUMPER WHEEL	1
646	9122140	3/8-16 HEX NUT WITH NY-LOCK INSERT - PACK OF 5	1
647	4992901	BLACK / WHITE LABEL KIT	1
648	9121600	5/16-18 X 5/8 HEX BOLT - PACK OF 5	2
649	9121520	5/16 SPLIT LOCK WASHER - PACK OF 10	2
650	9121400	3/8 I.D. X 7/8 O.D. X .064/.104 THICK WROUGHT WASHER (5/16) - PACK OF 10	2
651	9122115	3/8 DIAMETER X 3/4 LONG SOCKET HEAD SHOULDER BOLT (5/16-18) PACK OF 1	2

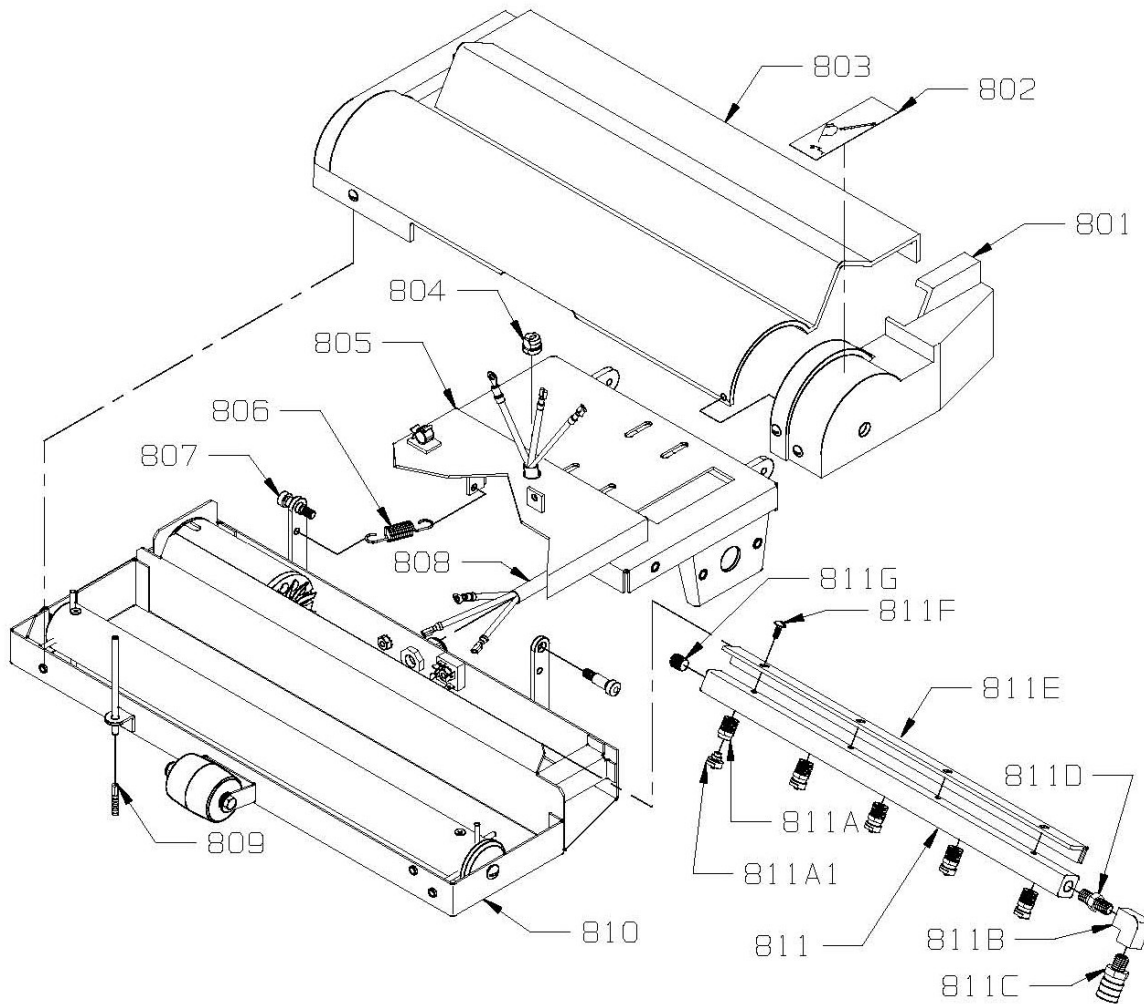
BRUSH HOUSING ASSEMBLY

ITEM	PART NO.	PART DESCRIPTION	QTY.
	4991679	BRUSH HOUSING ASSEMBLY - COMPLETE - INCLUDES:	
701	9120510	10-24 X 1/2 TRUSS HEAD PHILLIPS MACHINE SCREW - PACK OF 10	2
702	9120810	10 X 1/2 PAN HEAD SHEET METAL SCREW - PACK OF 10	1
703	4991181	COVER - BELT	1
704	4990181	COVER - LONG	1
705	9120500	10-24 X 3/8 TRUSS HEAD PHILLIPS MACHINE SCREW - PACK OF 10	3
706	4991321	BRUSH MOTOR - 120 VOLT	1
	4991331	BRUSH MOTOR - 240 VOLT	1
707	4991531	FAN	1
708	9120350	10-24 HEX NUT WITH NY-LOCK INSERT - PACK OF 10	1
709	5294201	NYLON CABLE CLAMP	1
710	9120360	10-24 HEX NUT WITH STAR LOCK WASHER - PACK OF 10	3
711	9120430	10-24 X 3/4 ROUND HEAD PHILLIPS MACHINE SCREW - PACK OF 10	2
712	9120370	7/32 I.D. X 1/2 O.D. X .032/.065 THICK FLAT WASHER (#10) PACK OF 10	2
713	9120660	10-32 HEX NUT WITH NY-LICK INSERT - PACK OF 10	2
714	4990491	PULLEY - BRUSH MOTOR - INCLUDES:	1
714A	9120650	10-32 X 3/4 SET SCREW - CUP POINT - PACK OF 5	2
715	4990481	BELT	1
716	9121000	1/4-20 X 5/8 TRUSS HEAD PHILLIPS MACHINE SCREW - PACK OF 5	2
717	9120970	1/4 EXTERNAL STAR LOCK WASHER - PACK OF 10	2
718	9120510	10-24 X 1/2 TRUSS HEAD PHILLIPS MACHINE SCREW - PACK OF 10	1
719	9121350	1/4-20 X 3 HEX BOLT - PACK OF 3	1
720	4991931	ROLLER	1
721	9120890	1/2-20 HEX NUT WITH NY-LOCK INSERT- THIN - PACK OF 5	1
722	4991659	BRUSH ASSEMBLY - INCLUDES:	1
722A	3490491	RETAINING RING	1
722B	1099921	BEARING	2
722C	4990051	PULLEY - BRUSH	1
722D	4991421	RETAINING RING - BRUSH BEARING	2
722E	4990031	BRUSH	1
722F	9120670	10-32 X 5/8 FLAT HEAD PHILLIPS MACHINE SCREW - PACK OF 10	2
722G	4990081	THREAD GUARD	1
722H	4990071	AXLE	1
723	9120360	10-24 HEX NUT WITH STAR LOCK WASHER - PACK OF 10	1
724	5492741	RECTIFIER - 60 AMP	1
725	4990173	HOUSING - BRUSH	1
726	4890831	STRAIN RELIEF - INCLUDES:	1
726A	0891131	PLASTIC STRAIN RELIEF NUT	1
727	4990681	POWER CORD - INCLUDES:	1
727A	4991371	1/4 FULLY INSULATED MALE TERMINAL - 18-22 GAGE	2
727B	3290671	PUSH ON TERMINAL - #BB-8141	2
727C	0298981	#10 RING TERMINAL 14-16 GAGE	2
728	4990263	MAIN FRAME ASSEMBLY	1

BRUSH HOUSING ASSEMBLY



SPRAY BAR ASSEMBLY



ITEM	PART NO.	PART DESCRIPTION	QTY.
801	4991181	COVER - BELT	1
802	4992901	BLACK / WHITE LABEL KIT	1
803	4990181	COVER - LONG	1
804	4891071	STRAIN RELIEF	1
805	4990263	MAIN FRAME ASSEMBLY	1
806	4990241	ADJUSTING WHEEL SPRING	1
807	9122115	3/8 DIAMETER X 3/4 LONG SOCKET HEAD SHOULDER BOLT (5/16-18) - PACK OF 1	2
808	4990681	POWER CORD - INCLUDES:	1
809	4990391	CABLE BRUSH LIFT	1
810	4990173	HOUSING - BRUSH	1
811	4991669	SPRAY BAR ASSEMBLY - ICNLUDES:	1
811	4990041	SPRAY BAR	1
811A	4990901	SPRAY TIP WITH BODY - INCLUDES:	5
811A	4891291	BODY ONLY	1
811A1	4990911	SPRAY TIP ONLY	1
N/S	4892111	SPRAY TIP SEAL GASKET - "O" RING	1
811B	3891141	1/4 ELBOW 90 DEGREE	1
811C	4991281	FEMALE QUICK CONNECT	1
811D	3891941	1/4 HEX NIPPLE	1
811E	4991043	MANIFOLD GUIDE	1
811F	9120510	10-24 X 1/2 TRUSS HEAD PHILLIPS MACHINE SCREW - PACK OF 10	4
811G	2392151	1/4" PIPE PLUG - BRASS	1
N/S	8891130	GASKET 1" X 1/8",NEOPRENE	.33FT

ACCESSORIES



2598551 15' VACUUM HOSE - CLEAR - INCLUDES:
2590361 1 1/2" HOSE CUFFS



2594251 25' VACUUM HOSE - CLEAR - INCLUDES:
2599611 1 1/2" HOSE CUFFS

4095461 15' VACUUM HOSE - BLACK - INCLUDES:
2599611 HOSE CUFFS



4098021 15' SOLUTION HOSE - LOW PRESSURE - FEMALE / FEMALE QDC
3891581 15' SOLUTION HOSE - LOW PRESSURE - MALE / MALE QDC
3890991 15' SOLUTION HOSE - LOW PRESSURE - FEMALE / MALE QDC



4097111
QUICK CONNECT ADAPTOR
FEMALE / FEMALE



4991949
COIL HOSE WITH SPRAY GUN
LOW PRESSURE - FEMALE QDC



4097101 3 - JET WAND - 12" WIDTH
4097201 2 - JET WAND - 12" WIDTH
4097301 SINGLE JET - 30" LONG STAIR WAND - 9 3/4" WIDTH
4098101 12" SQUEEGEE WITH WAND



4097401
6" STAIR TOOL



4097501
4" UPHOLSTERY TOOL



4097601
3 1/2" DETAIL TOOL



4098031
8" FLATTENED INTERNAL SPRAY CREVICE TOOL



3097849
14" SQUEEGEE WITH BRUSH

4892859 UPHOLSTERY KIT - INCLUDES:
4097501 4" UPHOLSTERY TOOL
2598551 15' VACUUM HOSE - CLEAR
4098021 15' SOLUTION HOSE - LOW PRESSURE - FEMALE / FEMALE QDC
4892869 DETAIL 3 - JET WAND TOOL KIT - INCLUDES:
4097101 3 - JET WAND - 12" WIDTH
2598551 15' VACUUM HOSE
4098021 15' SOLUTION HOSE - LOW PRESSURE - FEMALE / FEMALE QDC



NSS ® Enterprises, Inc.

3115 Frenchmens Road, Toledo, Ohio 43607
PHONE (419) 531-2121 FAX (419) 531-3761

NSS ® Enterprises, Inc. European Distribution Centre
Unit II, Pinfold Trading Estate * 55 Nottingham Road
STAPLEFORD, NOTTINGHAM NG9 8AD ENGLAND U.K.
PHONE: (44) 0115 939 1568 * FAX: (44) 0115 949 0615