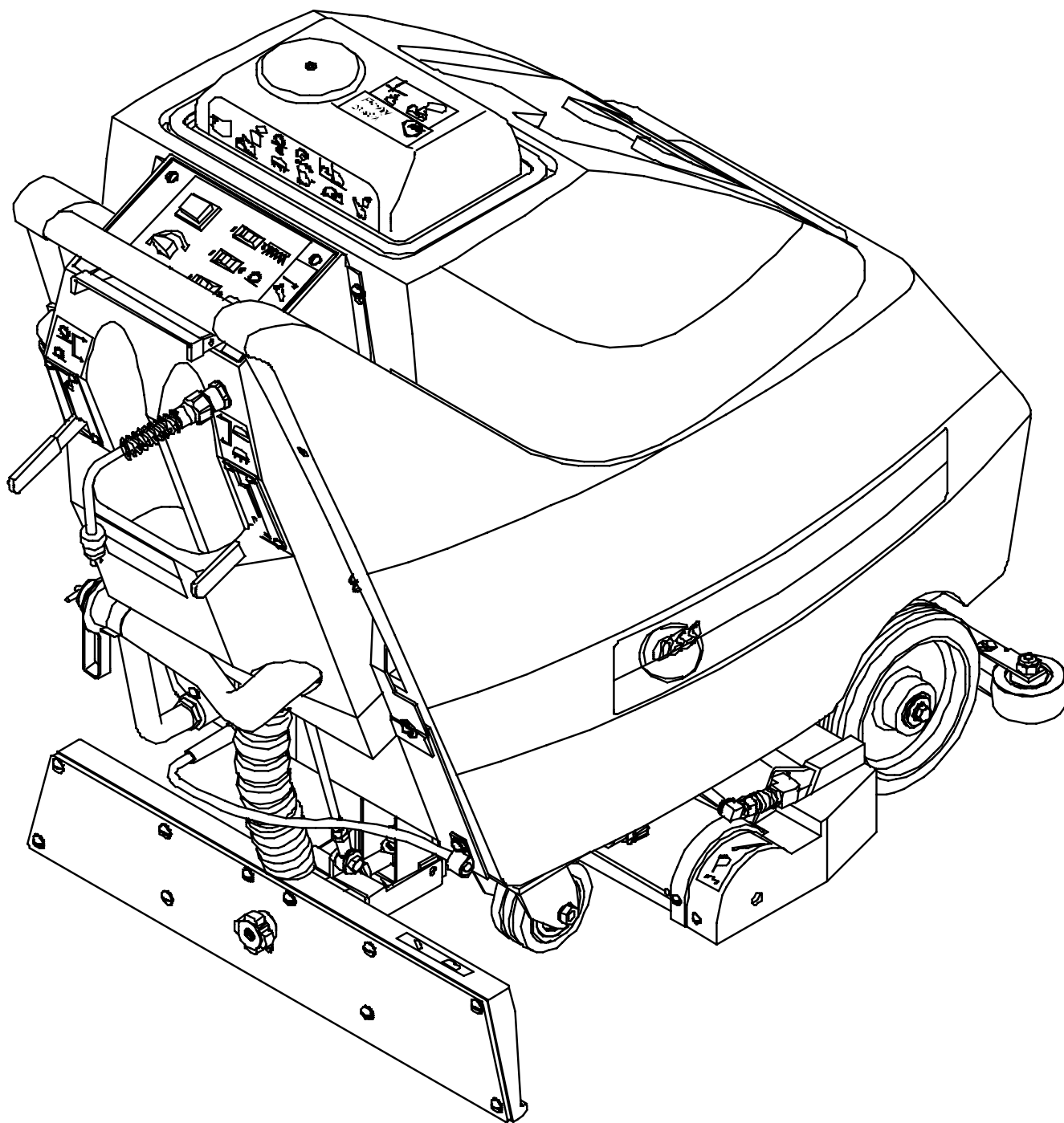


PARTS LIST
PONY 20 SCA



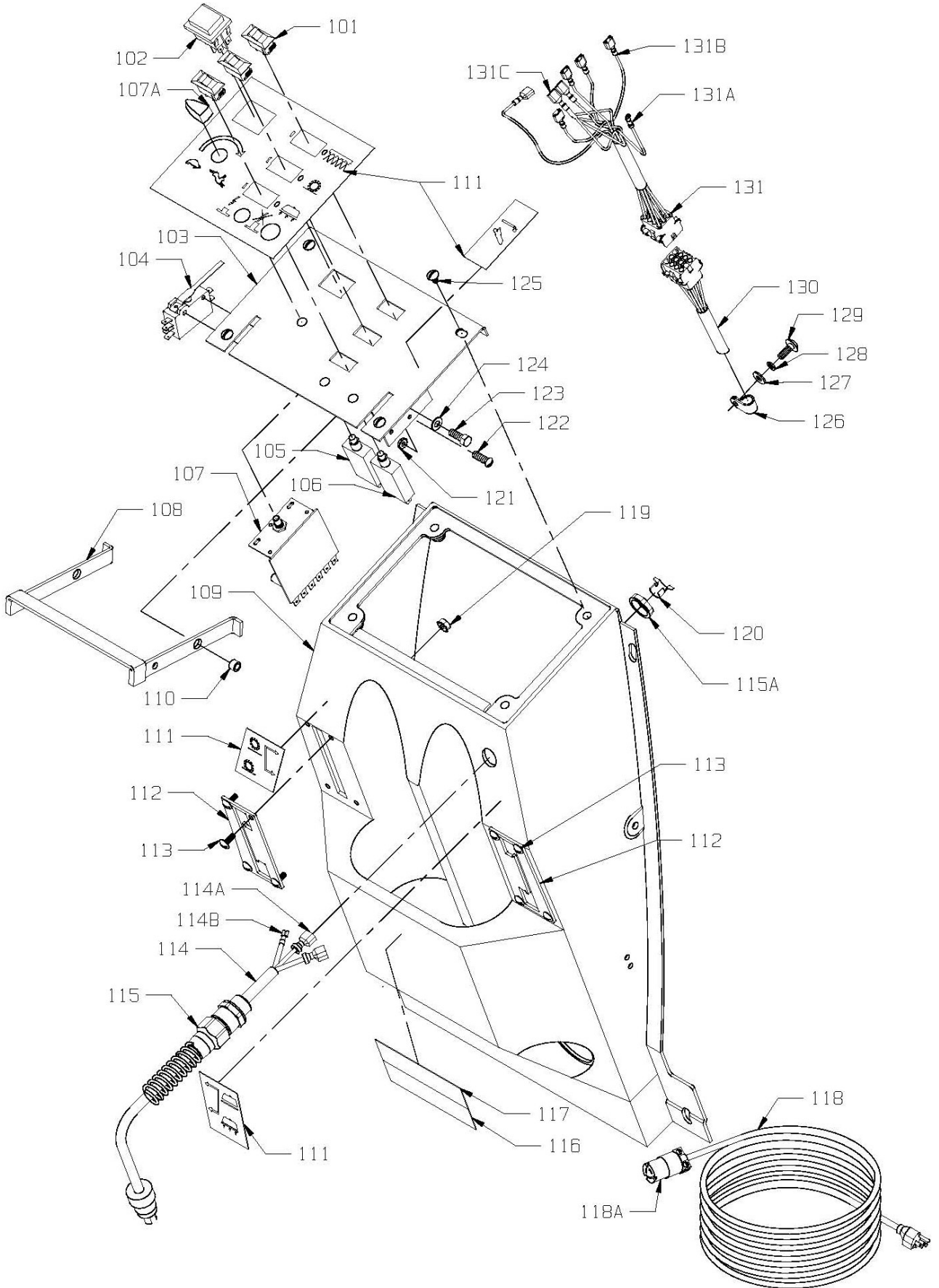
WIRING DIAGRAM

| <u>PART NO.</u> | <u>PART DESCRIPTION</u> |
|------------------------|--|
| 4990601 | GEARMOTOR - 120 VOLT |
| 4990581 | GEARMOTOR - 240 VOLT |
| 4890391 | VAC MOTOR - 115 VOLT |
| 4891251 | VAC MOTOR - 240 VOLT |
| 4991321 | BRUSH MOTOR - 120 VOLT |
| 4991331 | BRUSH MOTOR - 240 VOLT |
| 4894591 | PUMP - 80 PSI - 115 VOLT |
| 4894881 | PUMP - 240 VOLT |
| 4894781 | SOLENOID VALVE - 115 VOLT |
| 4891271 | SOLENOID VALVE - 240 VOLT |
| 4990301 | CIRCUIT BREAKER - 3 AMP - 120 VOLT |
| 4990311 | CIRCUIT BREAKER - 1.5 AMP - 240 VOLT |
| 4891851 | CIRCUIT BREAKER 1 AMP |
| 4991841 | MASTER SWITCH |
| 4890751 | ROCKER SWITCH |
| 4991271 | LIMIT - SWITCH |
| 4990571 | SPEED CONTROL - INCLUDES KNOB |
| 5492741 | RECTIFIER - 60 AMP |
| 4990661 | POWER CORD - 12-3 - 120 VOLT - 75 FOOT - WITH TWIST LOCK |
| 0299671 | SHUKO CORD - 240 VOLT - 75 FOOT |
| 4992811 | 17" STUB CORD |
| 4991401 | CORD - BASE TO CONNECTOR |
| 4991411 | CORD - CONNECTOR TO CONTROL PANEL |
| 4990161 | GROUND WIRE - 16 X 4 |
| 2792161 | WIRE ASSEMBLY - 14 X 12" - # 49 |
| 2792221 | WIRE ASSEMBLY - 14 X 10 |
| 2792371 | WIRE 14 X 6" - # 62 |
| 0298981 | #10 RING TERMINAL 14-16 GAGE |
| 2490961 | #6 RING TERMINAL 18-22 GAGE |
| 2690571 | 1/4 SLIP-ON FEMALE TERMINAL 10 - 12 GAGE |
| 3290671 | 1/4 INSULATED FEMALE TERMINAL |
| 4891701 | FEMALE TWIST LOCK |
| 4991361 | FULLY INSULATED FEMALE TERMINAL 18 - 20 GAGE |
| 4991371 | 1/4 FULLY INSULATED MALE TERMINAL 18-22 GAGE |
| 5490161 | FULLY INSULATED FEMALE TERMINAL 14-16 GAGE |

CONTROL PANEL ASSEMBLY

| ITEM | PART NO. | PART DESCRIPTION | QTY. |
|-------------|-----------------|---|-------------|
| 101 | 4890751 | ROCKER SWITCH - WITH COVER | 3 |
| 102 | 4991841 | SWITCH - MASTER - WITH COVER | 1 |
| 103 | 4991863 | SWITCH PANEL | 1 |
| 104 | 4991271 | SWITCH - LIMIT | 1 |
| 105 | 4990301 | CIRCUIT BREAKER 3 AMP - 120 VOLT | 1 |
| | 4990311 | CIRCUIT BREAKER 1.5 AMP - 240 VOLT | 1 |
| 106 | 4891851 | CIRCUIT BREAKER 1 AMP | 1 |
| 107 | 4990571 | SPEED CONTROL - 120 / 240 VOLT - WITH KNOB | 1 |
| 108 | 4990443 | DEADMAN LEVER | 1 |
| 109 | 4990101 | CONTROL PANEL | 1 |
| 110 | 2791281 | BUSHING SPACER | 2 |
| 111 | 4992901 | BLACK / WHITE LABEL KIT | 1 |
| 112 | 4990643 | PLATE - LIFT LEVER GUIDE | 2 |
| 113 | 9120410 | 10-24 X 1/2 ROUND HEAD PHILLIPS MACHINE SCREW - PACK OF 10 | 8 |
| 114 | 4992811 | 17" STUB CORD - INCLUDES: | 1 |
| 114A | 5490161 | FULLY INSULATED FEMALE TERMINAL 14-16 GAGE | 2 |
| 114B | 3290671 | 1/4 INSULATED FEMALE TERMINAL | 1 |
| 115 | 0299531 | STRAIN RELIEF INCLUDES: | 1 |
| 115A | 0891131 | PLASTIC STRAIN RELIEF NUT | 1 |
| 116 | 0190901 | WARNING LABEL | 1 |
| 117 | 0190911 | GROUNDING LABEL | 1 |
| 118 | 4990661 | POWER CORD - 12-3 - 120 VOLT - 75 FOOT - INCLUDES: | 1 |
| 118A | 4891701 | FEMALE TWIST LOCK | 1 |
| 118 | 0299671 | SHUKO CORD - 240 VOLT - 75 FOOT | 1 |
| 119 | 9120360 | 10-24 HEX NUT WITH STAR LOCK WASHER - PACK OF 10 | 8 |
| 120 | 0299661 | STRAIN RELIEF CORD CLAMP | 1 |
| 121 | 9120020 | 6-32 HEX NUT WITH STAR LOCK WASHER - PACK OF 10 | 3 |
| 122 | 9120100 | 6-32 X 1 ROUND HEAD PHILLIPS MACHINE SCREW - PACK OF 10 | 1 |
| 123 | 9121250 | 1/4-20 X 3/4 HEX BOLT - PACK OF 10 | 1 |
| 124 | 9120930 | 9/32 I.D. X 5/8 O.D. X .051/.080 THICK FLAT WASHER (1/4) PACK OF 10 | 1 |
| 125 | 9120740 | 10-32 X 3/8 TRUSS HEAD PHILLIPS MACHINE SCREW - PACK OF 10 | 4 |
| 126 | 5294201 | NYLON CABLE CLAMP | 1 |
| 127 | 9120370 | 7/32 I.D. X 1/2 O.D. X .032/.065 THICK FLAT WASHER (#10) PACK OF 10 | 1 |
| 128 | 9120320 | 10 SPLIT LOCK WASHER - PACK OF 10 | 1 |
| 129 | 9120410 | 10-24 X 1/2 ROUND HEAD PHILLIPS MACHINE SCREW - PACK OF 10 | 1 |
| 130 | 4991401 | CORD - BASE TO CONNECTOR - INCLUDES: | 1 |
| 130A | 2690571 | FULLY INSULATED FEMALE TERMINAL 18 - 20 GAGE | 10 |
| 130B | 2490961 | 1/4 SLIP-ON FEMALE TERMINAL 10 - 12 GAGE | 1 |
| 131 | 4991411 | CORD - CONNECTOR TO CONTROL PANEL - INCLUDES: | 1 |
| 131A | 0298981 | #10 RING TERMINAL - 14-16 GAGE | 1 |
| 131B | 4991361 | FULLY INSULATED FEMALE TERMINAL 18 - 20 GAGE | 6 |
| 131C | 5490161 | FULLY INSULATED FEMALE TERMINAL 14-16 GAGE | 1 |

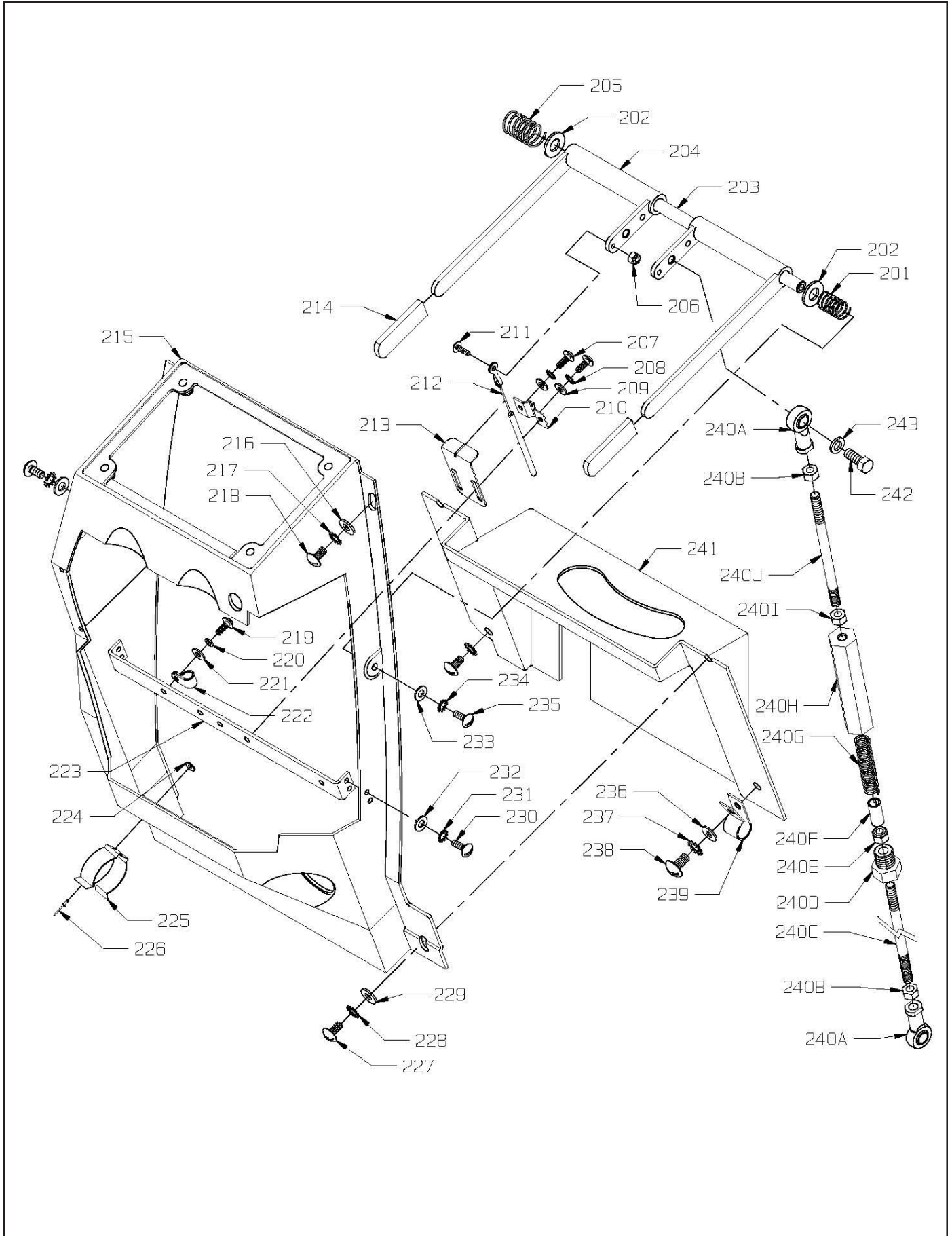
CONTROL PANEL ASSEMBLY



BACK PANEL ASSEMBLY

| ITEM | PART NO. | PART DESCRIPTION | QTY. |
|-------------|-----------------|--|-------------|
| 201 | 3695581 | HEIGHT ADJUSTING SPRING | 1 |
| 202 | 9122465 | .516 I.D. X .813 O.D. X .027/.030 THICK FLAT WASHER - PACK OF 2 | 2 |
| 203 | 4990611 | ROD LIFT LEVER PIVOT | 1 |
| 204 | 4990703 | LIFT LEVER VAC AND BRUSH | 2 |
| 205 | 2790561 | SPRING - SKIRT LATCH | 1 |
| 206 | 9120350 | 10-24 HEX NUT WITH NY-LOCK INSERT - PACK OF 10 | 1 |
| 207 | 9120420 | 10-24 X 5/8 ROUND HEAD PHILLIPS MACHINE SCREW - PACK OF 10 | 2 |
| 208 | 9120330 | 10 EXTERNAL STAR LOCK WASHER - PACK OF 10 | 2 |
| 209 | 9120370 | 7/32 I.D. X 1/2 O.D. X .032/.065 THICK FLAT WASHER (#10) PACK OF 10 | 2 |
| 210 | 4890706 | CABLE CLAMP - FRONT | 1 |
| 211 | 9120420 | 10-24 X 5/8 ROUND HEAD PHILLIPS MACHINE SCREW - PACK OF 10 | 1 |
| 212 | 4990391 | CABLE BRUSH LIFT | 1 |
| 213 | 4990421 | BRUSH CABLE ADJUSTMENT BRACKET | 1 |
| 214 | 2391181 | GRIP - VALVE LEVER | 2 |
| 215 | 4990101 | CONTROL PANEL | 1 |
| 216 | 9120930 | 9/32 I.D. X 5/8 O.D. X .051/.080 THICK FLAT WASHER (1/4) PACK OF 10 | 2 |
| 217 | 9120970 | 1/4 EXTERNAL STAR LOCK WASHER - PACK OF 10 | 2 |
| 218 | 9121090 | 1/4-20 X 1/2 TRUSS HEAD PHILLIPS MACHINE SCREW - PACK OF 5 | 2 |
| 219 | 9120410 | 10-24 X 1/2 ROUND HEAD PHILLIPS MACHINE SCREW - PACK OF 10 | 1 |
| 220 | 9120320 | 10 SPLIT LOCK WASHER - PACK OF 10 | 1 |
| 221 | 9120370 | 7/32 I.D. X 1/2 O.D. X .032/.065 THICK FLAT WASHER (#10) PACK OF 10 | 1 |
| 222 | 5294201 | NYLON CABLE CLAMP | 1 |
| 223 | 4991253 | CABLE CLAMP BRACKET | 1 |
| 224 | 9120027 | 5/32 I.D. X 3/8 O.D. X 5/64 THICK FLAT WASHER (#6) - PACK OF 5 | 2 |
| 225 | 7691921 | SPRING CLIP - HOSE | 1 |
| 226 | 2391751 | 1/8" X 5/8" POP RIVET | 2 |
| 227 | 9121090 | 1/4-20 X 1/2 TRUSS HEAD PHILLIPS MACHINE SCREW - PACK OF 5 | 2 |
| 228 | 9120970 | 1/4 EXTERNAL STAR LOCK WASHER - PACK OF 2 | 2 |
| 229 | 9121400 | 3/8 I.D. X 7/8 O.D. X .064/.104 THICK WROUGHT WASHER (5/16) - PACK OF 10 | 2 |
| 230 | 9120410 | 10-24 X 1/2 ROUND HEAD PHILLIPS MACHINE SCREW - PACK OF 10 | 4 |
| 231 | 9120330 | 10 EXTERNAL STAR LOCK WASHER - PACK OF 10 | 4 |
| 232 | 9120370 | 7/32 I.D. X 1/2 O.D. X .032/.065 THICK FLAT WASHER (#10) PACK OF 10 | 4 |
| 233 | 9120930 | 9/32 I.D. X 5/8 O.D. X .051/.080 THICK FLAT WASHER (1/4) PACK OF 10 | 2 |
| 234 | 9120970 | 1/4 EXTERNAL STAR LOCK WASHER - PACK OF 10 | 2 |
| 235 | 9121010 | 1/4-20 X 3/4 TRUSS HEAD PHILLIPS MACHINE SCREW - PACK OF 5 | 2 |
| 236 | 9120930 | 9/32 I.D. X 5/8 O.D. X .051/.080 THICK FLAT WASHER (1/4) PACK OF 10 | 1 |
| 237 | 9120970 | 1/4 EXTERNAL STAR LOCK WASHER - PACK OF 10 | 2 |
| 238 | 9121090 | 1/4-20 X 1/2 TRUSS HEAD PHILLIPS MACHINE SCREW - PACK OF 5 | 2 |
| 239 | 4890851 | CABLE CLAMP, #COV-090 KMC | 1 |
| 240 | 4990119 | VAC SHOE PRESSURE ROD ASSEMBLY - INCLUDES: | 1 |
| 240A | 4490531 | 3/8" ROD END | 2 |
| 240B | 9122010 | 3/8-24 HEX NUT - PACK OF 5 | 2 |
| 240C | 2691801 | MEDIUM LIFT ROD | 1 |
| 240D | 2691831 | HOUSING - SPRING - RETAINER PLATE | 1 |
| 240E | 9122140 | 3/8-16 HEX NUT WITH NY-LOCK INSERT - PACK OF 5 | 1 |
| 240F | 0690661 | PIVOT SPACER | 1 |
| 240G | 4990121 | SPRING | 1 |
| 240H | 2691821 | HOUSING - SPRING - BRUSH LIFT | 1 |
| 240I | 9122000 | 3/8-16 HEX NUT - PACK OF 10 | 1 |
| 240J | 4990131 | SHORT PUSH ROD - VAC SHOE | 1 |
| 241 | 4990761 | LOWER PANEL | 1 |
| 242 | 9122260 | 3/8-16 X 1 HEX BOLT - PACK OF 2 | 1 |
| 243 | 9122100 | 3/8 SPLIT LOCK WASHER - PACK OF 10 | 1 |

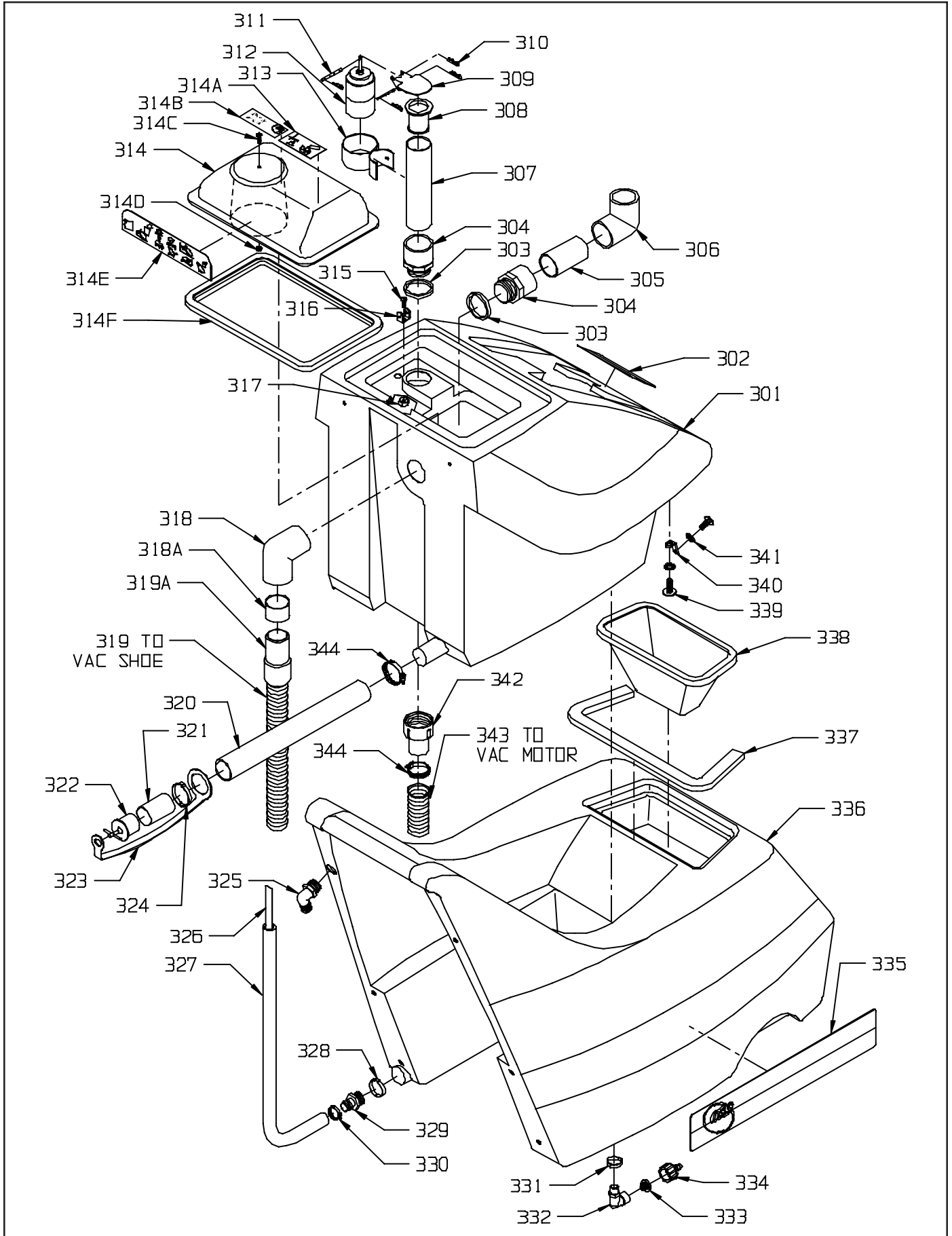
BACK PANEL ASSEMBLY



RECOVERY AND SOLUTION TANK ASSEMBLY

| ITEM | PART NO. | PART DESCRIPTION | QTY. |
|-------------|-----------------|--|-------------|
| 301 | 4990021 | RECOVERY TANK | 1 |
| 302 | 7692311 | CLOUD BURST DECAL | 1 |
| 303 | 3890401 | DRAIN VALVE GASKET | 2 |
| 304 | 4890281 | ADAPTOR | 2 |
| 305 | 4991111 | TUBE | 1 |
| 306 | 4890891 | ELBOW | 1 |
| 307 | 4990631 | STACK -VACUUM | 1 |
| 308 | 4890111 | LINT SCREEN | 1 |
| 309 | 4890303 | SHUT-OFF PLATE | 1 |
| 310 | 4891441 | COTTER PIN - HAIR SPRING | 6 |
| 311 | 4890321 | FLOAT PIN | 2 |
| 312 | 4890139 | FLOAT ASSEMBLY | 1 |
| 313 | 4990373 | FLOAT GUIDE | 1 |
| 314 | 4991649 | CLEAR PLASTIC DOME ASSEMBLY - INCLUDES: | 1 |
| 314 | 4990191 | CLEAR PLASTIC DOME | 1 |
| 314A | 4892161 | DEFOAMER LABEL | 1 |
| 314B | 4992881 | IDENTIFIER DECAL | 1 |
| 314C | 9120430 | 10-24 X 3/4 ROUND HEAD PHILLIPS MACHINE SCREW - PACK OF 10 | 1 |
| 314D | 9120350 | 10-24 HEX NUT WITH NY-LOCK INSERT - PACK OF 10 | 1 |
| 314E | 4992921 | INSTRUCTION DECAL FOR DOME | 1 |
| 314F | 4991011 | DOME GASKET | 1 |
| 315 | 9120430 | 10-24 X 3/4 ROUND HEAD PHILLIPS MACHINE SCREW - PACK OF 10 | 1 |
| 316 | 4991003 | BRACKET - FLOAT MOUNT | 1 |
| 317 | 9120350 | 10-24 HEX NUT WITH NY-LOCK INSERT - PACK OF 10 | 1 |
| 318 | 4890899 | ELBOW ASSEMBLY - INCLUDES: | 1 |
| 318A | 4890901 | TUBE | 1 |
| 319 | 4991151 | HOSE - RECOVERY TANK TO VAC SHOE - INCLUDES: | 1 |
| 319A | 2599231 | HOSE CUFF | 1 |
| 320 | 4992611 | DRAIN HOSE - 15" | 1 |
| 321 | 2391661 | HOSE TUBE | 1 |
| 322 | 2795621 | DRAIN PLUG | 1 |
| 323 | 2791881 | PLUG STRAP | 1 |
| 324 | 2393451 | HOSE CLAMP - 1 13/16 | 1 |
| 325 | 4990221 | DRAIN ELBOW - 3/4 MPT X 3/4" HOSE BARB | 1 |
| 326 | 4992771 | SOLUTION GAGE | 1 |
| 327 | 8791030 | VINYL HOSE - 3/4" I.D. X 1" O.D. | 2.5FT |
| 328 | 4991231 | CLAMP - DRAIN HOSE | 1 |
| 329 | 4991121 | DRAIN FITTING | 1 |
| 330 | 2392141 | HOSE CLAMP - 11/16" TO 1 1/4" | 1 |
| 331 | 4991241 | CLAMP - FILTER | 1 |
| 332 | 4992291 | 3/8 NPT -MALE GHT 90° NYLON FITTING | 1 |
| 333 | 2690241 | FILTER SCREEN | 1 |
| 334 | 4992281 | 3/8 HOSE BARB - GHT SWIVEL NYLON FITTING | 1 |
| 335 | 7691891 | CLOUD BURST DECAL - 3.5 X 20 | 2 |
| 336 | 4990011 | SOLUTION TANK | 1 |
| 337 | 8891100 | GASKET MATERIAL - 1/2" X 1" | 1.5FT |
| 338 | 4891311 | FILTER SCREEN BAG - BLACK - INCLUDES: | 1 |
| 338A | 4891321 | BAG RING | 1 |
| 339 | 9121040 | 1/4-20 X 5/8 PAN HEAD PHILLIPS MACHINE SCREW - PACK OF 5 | 2 |
| 340 | 4891663 | BRACKET - RECOVERY TANK HOLD DOWN | 1 |
| 341 | 9120970 | 1/4 EXTERNAL STAR LOCK WASHER - PACK OF 2 | 2 |
| 342 | 4890292 | HOSE BARB | 1 |
| 343 | 4991141 | HOSE - RECOVERY TANK TO VAC MOTOR | 1 |
| 344 | 4892671 | HOSE CLAMP - 1 1/16" TO 2" | 2 |

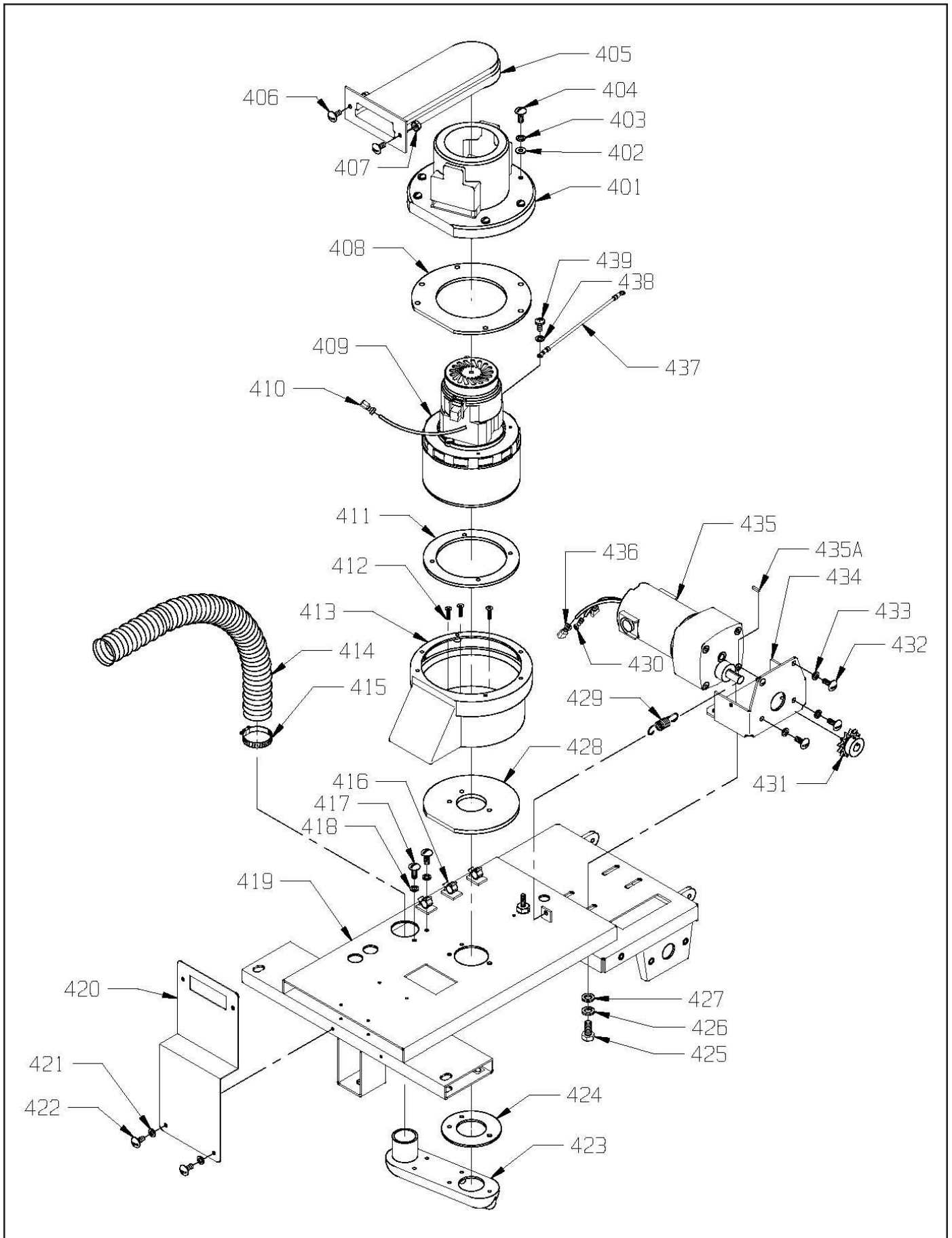
RECOVERY AND SOLUTIONS TANK ASSEMBLY



MOTORS AND CHASSIS ASSEMBLY

| ITEM | PART NO. | PART DESCRIPTION | QTY. |
|-------------|-----------------|---|-------------|
| 401 | 4890051 | MOTOR SPLASH COVER | 1 |
| 402 | 9120370 | 7/32 I.D. X 1/2 O.D. X .032/.065 THICK FLAT WASHER (#10) PACK OF 10 | 6 |
| 403 | 9120320 | 10 SPLIT LOCK WASHER - PACK OF 10 | 6 |
| 404 | 9120730 | 10-32 X 1/2 ROUND HEAD PHILLIPS MACHINE SCREW - PACK OF 10 | 6 |
| 405 | 4890061 | COOLING DUCT | 1 |
| 406 | 9120380 | 10-24 X 3/8 ROUND HEAD PHILLIPS MACHINE SCREW - PACK OF 10 | 2 |
| 407 | 9120360 | 10-24 HEX NUT WITH STAR LOCK WASHER - PACK OF 10 | 2 |
| 408 | 4890431 | GASKET - TOP VAC MOTOR | 1 |
| 409 | 4890391 | VAC MOTOR - 115 VOLT | 1 |
| | 4891251 | VAC MOTOR - 240 VOLT | 1 |
| 410 | 4991371 | FULLY INSULATED MALE TERMINAL - 18-22 GAGE | 2 |
| 411 | 4690101 | GASKET - VAC MOTOR / FLOAT | 1 |
| 412 | 9120772 | 10-32 X 3/4 FLAT HEAD PHILLIPS MACHINE SCREW - PACK OF 10 | 3 |
| 413 | 4890071 | EXHAUST CHAMBER | 1 |
| 414 | 4991141 | VAC HOSE - VAC MOTOR TO RECOVERY TANK | 1 |
| 415 | 4892671 | HOSE CLAMP 1 1/16" TO 2" | 1 |
| 416 | 2790111 | WIRE CLIP | 3 |
| 417 | 9120730 | 10-32 X 1/2 ROUND HEAD PHILLIPS MACHINE SCREW - PACK OF 10 | 2 |
| 418 | 9120320 | 10 SPLIT LOCK WASHER - PACK OF 10 | 2 |
| 419 | 4990263 | MAIN FRAME | 1 |
| 420 | 4991133 | AIR INTAKE SUPPORT | 1 |
| 421 | 9120320 | 10 SPLIT LOCK WASHER - PACK OF 10 | 2 |
| 422 | 9120380 | 10-24 X 3/8 ROUND HEAD PHILLIPS MACHINE SCREW - PACK OF 10 | 2 |
| 423 | 4890081 | VACUUM INTAKE TUBE | 1 |
| 424 | 4890471 | GASKET - VAC INTAKE | 1 |
| 425 | 9121210 | 1/4-20 X 5/8 HEX BOLT - PACK OF 10 | 4 |
| 426 | 9120880 | 1/4 SPLIT LOCK WASHER - PACK OF 10 | 4 |
| 427 | 9120930 | 9/32 I.D. X 5/8 O.D. X .051/.080 THICK FLAT WASHER (1/4) PACK OF 10 | 4 |
| 428 | 4891721 | GASKET - VAC MOTOR | 1 |
| 429 | 4990241 | SPRING - WHEEL ADJUSTING | 1 |
| 430 | 0298981 | #10 RING TERMINAL 14-16 GAGE | 1 |
| 431 | 4990381 | SPROCKET - DRIVE MOTOR - 12 TEETH | 1 |
| 432 | 9120730 | 10-32 X 1/2 ROUND HEAD PHILLIPS MACHINE SCREW - PACK OF 10 | 4 |
| 433 | 9120320 | 10 SPLIT LOCK WASHER - PACK OF 10 | 4 |
| 434 | 4990283 | BRACKET - DRIVE MOTOR | 1 |
| 435 | 4990601 | GEAR MOTOR - 120 VOLT - INCLUDES: | 1 |
| 435A | 9120303 | 1/8 SQUARE X 1/2 LONG KEY | 1 |
| 435 | 4990581 | GEAR MOTOR - 240 VOLT - INCLUDES: | 1 |
| 435A | 9120303 | 1/8 SQUARE X 1/2 LONG KEY | 1 |
| 436 | 4991371 | FULLY INSULATED MALE TERMINAL - 18-22 GAGE | 2 |
| 437 | 3290691 | GREEN WIRE - GROUND TO MOTOR | 1 |
| 438 | 9120320 | 10 SPLIT LOCK WASHER - PACK OF 10 | 1 |
| 439 | 9120590 | 10-24 X 3/8 PAN HEAD PHILLIPS THREAD CUTTING SCREW - PACK OF 10 | 1 |

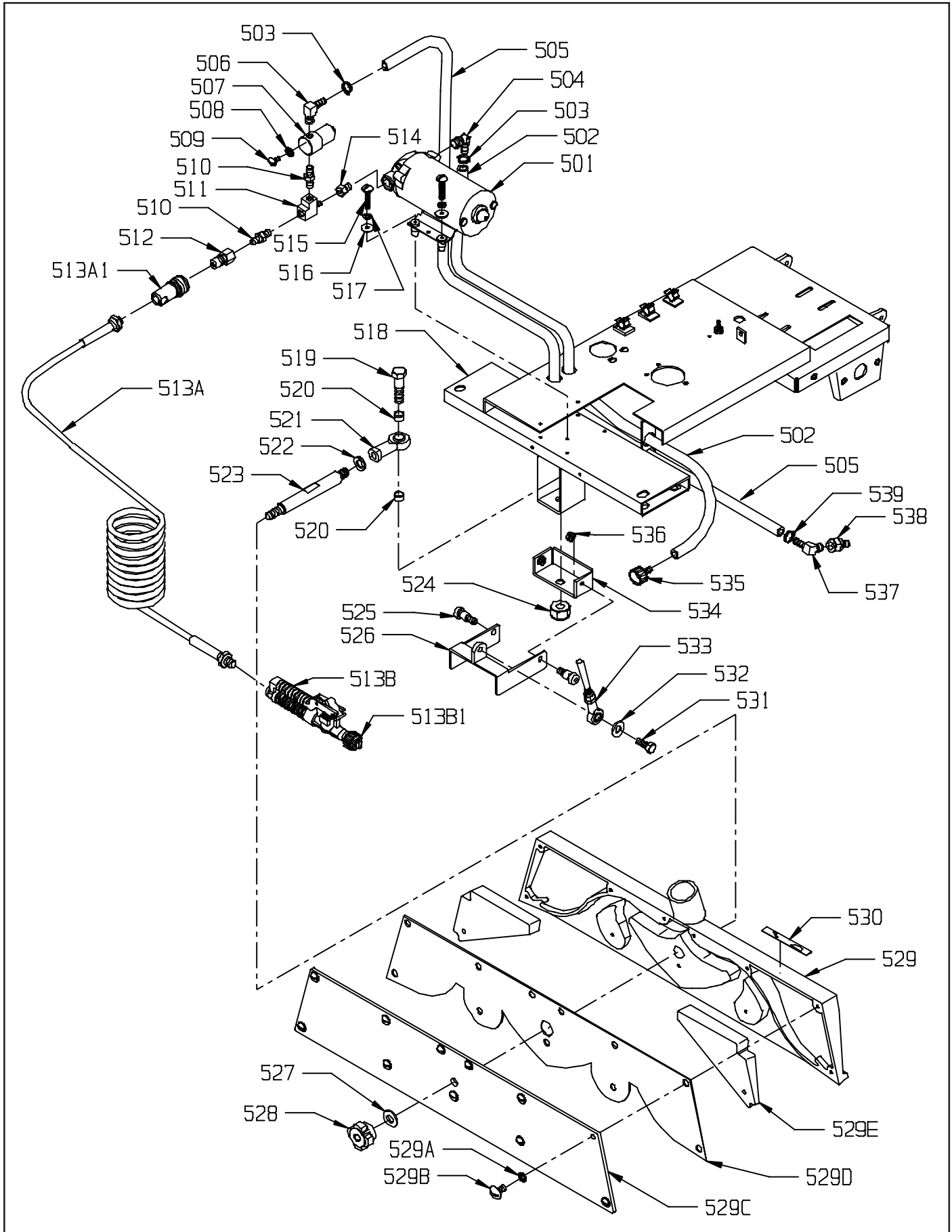
MOTORS AND CHASSIS ASSEMBLY



PUMP AND SHOE ASSEMBLY

| ITEM | PART NO. | PART DESCRIPTION | QTY. |
|-------------|-----------------|--|-------------|
| 501 | 4894591 | PUMP - 80 PSI - 115 VOLT | 1 |
| | 4894881 | PUMP - 240 VOLT | 1 |
| 502 | 4992381 | HOSE - 3/8" DIAMETER X 16" LONG | 1 |
| 503 | 4892651 | HOSE CLAMP - 1/4" TO 13/16" | 2 |
| 504 | 4891881 | 90 DEGREE HOSE BARB - 3/8" NPT | 1 |
| 505 | 4991311 | HOSE - 3/8" DIAMETER X 26" LONG - SOLENOID TO SPRAYER | 1 |
| 506 | 2791791 | 90 DEGREE HOSE BARB - 1/4 NPT | 1 |
| 507 | 4894781 | SOLENOID VALVE - 115 VOLT | 1 |
| | 4891271 | SOLENOID VALVE - 240 VOLT | 1 |
| 508 | 9120180 | 8 INTERNAL STAR LOCK WASHER - PACK OF 10 | 1 |
| 509 | 9120220 | 8-32 X 3/8 ROUND HEAD PHILLIPS MACHINE SCREW - PACK OF 10 | 1 |
| 510 | 3891941 | 1/4 HEX NIPPLE | 2 |
| 511 | 4390611 | STREET TEE 1/4" NPT | 1 |
| 512 | 3590751 | MALE QUICK CONNECT | 1 |
| 513 | 4991949 | SPRAY GUN HOSE ASSEMBLY - INCLUDES: | 1 |
| 513A | 4992851 | SPRAY GUN HOSE - INCLUDES: | 1 |
| 513A1 | 3590511 | FEMALE QUICK CONNECT | 1 |
| 513B | 4991261 | SPRAY GUN - INCLUDES: | 1 |
| 513B1 | 4990991 | SPRAY TIP | 1 |
| 514 | 4890211 | BUSHING - BRASS 1/4 F - 3/8 M - NPT | 1 |
| 515 | 9120450 | 10-24 X 1 ROUND HEAD PHILLIPS MACHINE SCREW - PACK OF 10 | 4 |
| 516 | 9120370 | 7/32 I.D. X 1/2 O.D. X .032/.065 THICK FLAT WASHER (#10) - PACK OF 10 | 4 |
| 517 | 9120320 | 10 SPLIT LOCK WASHER - PACK OF 10 | 4 |
| 518 | 4990263 | MAIN FRAME ASSEMBLY | 1 |
| 519 | 9122580 | 1/2-13 X 2 HEX BOLT - PACK OF 1 | 1 |
| 520 | 2391461 | BUSHING - LIFT LEVER | 2 |
| 521 | 2391941 | BALL JOINT | 1 |
| 522 | 9122420 | 1/2 SPLIT LOCK WASHER - PACK OF 5 | 1 |
| 523 | 4990536 | PIVOT ARM - VAC TOOL | 1 |
| 524 | 9122495 | 1/2-13 HEX NUT WITH NY-LOCK INSERT - THIN - PACK OF 1 | 1 |
| 525 | 9121550 | 5/16 DIAMETER X 3/8 LONG SOCKET HEAD SHOULDER BOLT (1/4-20) PACK OF 1 | 2 |
| 526 | 4990453 | LIFT BRACKET - VAC TOOL | 1 |
| 527 | 9122450 | 17/32 I.D. X 1 1/16 O.D. X .074/.121 THICK FLAT WASHER (1/2) - PACK OF 5 | 1 |
| 528 | 4990542 | KNOB - VAC TOOL | 1 |
| 529 | 4991639 | VAC TOOL ASSEMBLY - INCLUDES: | 1 |
| 529 | 4990093 | VAC SHOE | 1 |
| 529A | 9120970 | 1/4 EXTERNAL STAR LOCK WASHER - PACK OF 10 | 11 |
| 529B | 9121090 | 1/4-20 X 1/2 TRUSS HEAD PHILLIPS MACHINE SCREW - PACK OF 5 | 11 |
| 529C | 4990723 | PLATE - VAC SHOE COVER | 1 |
| 529D | 4990711 | GASKET - VAC SHOE COVER | 1 |
| 529E | 4990891 | WEIGHT - VAC SHOE | 2 |
| 530 | 4992901 | BLACK / WHITE LABEL KIT | 1 |
| 531 | 9122260 | 3/8-16 X 1 HEX BOLT - PACK OF 2 | 1 |
| 532 | 9122100 | 3/8 SPLIT LOCK WASHER - PACK OF 10 | 1 |
| 533 | 4990119 | VAC SHOE PRESSURE ROD ASSEMBLY | 1 |
| 534 | 4990463 | LIFT BRACKET SUPPORT | 1 |
| 535 | 4992281 | 3/8 HOSE BARB - GHT SWIVEL NYLON FITTING | 1 |
| 536 | 9120910 | 1/4-20 HEX NUT WITH STAR LOCK WASHER - PACK OF 10 | 1 |
| 537 | 2791791 | 90 DEGREE HOSE BARB - 1/4 NPT | 1 |
| 538 | 4991291 | MALE QUICK CONNECT | 1 |
| 539 | 4892651 | HOSE CLAMP - 1/4" TO 13/16" | 1 |

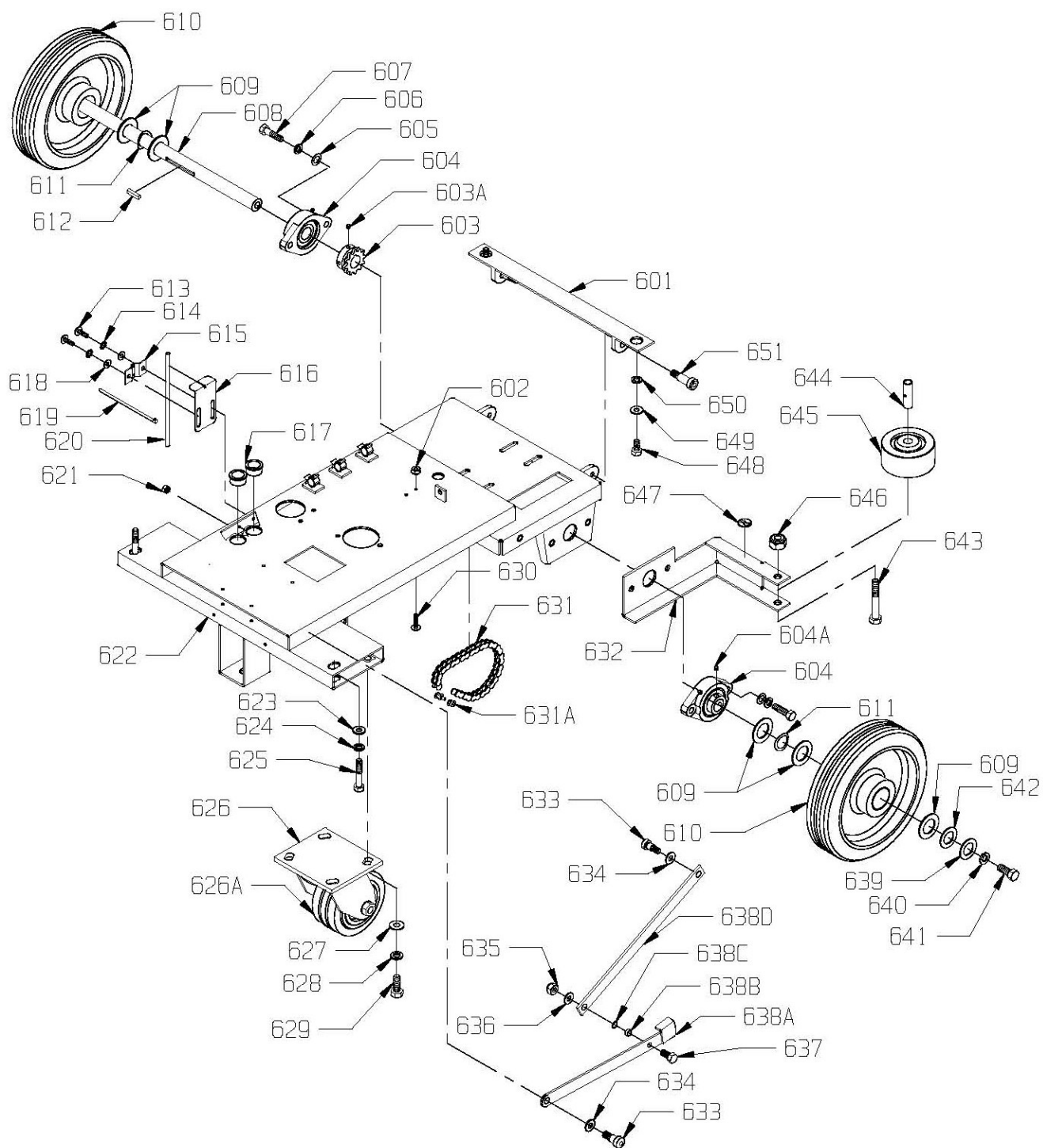
PUMP AND SHOE ASSEMBLY



WHEEL AND CHASSIS ASSEMBLY

| <u>ITEM</u> | <u>PART NO.</u> | <u>PART DESCRIPTION</u> | <u>QTY.</u> |
|-------------|-----------------|---|-------------|
| 601 | 4991223 | HINGE BRACKET | 1 |
| 602 | 9120360 | 10-24 HEX NUT WITH STAR LOCK WASHER - PACK OF 10 | 1 |
| 603 | 4990401 | SPROCKET - DRIVE AXLE - INCLUDES: | 1 |
| 603A | 9120860 | 1/4-20 X 3/8 SET SCREW - CUP POINT - PACK OF 5 | 1 |
| 604 | 4990551 | BEARING - MAIN AXLE | 2 |
| 604A | 9121365 | 1/4-28 X 1/4 SET SCREW - KNURL CUP - PACK OF 1 | 2 |
| 605 | 9121390 | 11/32 I.D. X 11/16 O.D. X .051/.080 THICK FLAT WASHER (5/16) PACK OF 10 | 4 |
| 606 | 9121520 | 5/16 SPLIT LOCK WASHER - PACK OF 10 | 4 |
| 607 | 9121720 | 5/16-18 X 1 1/4 HEX FULL THREADED BOLT - PACK OF 2 | 4 |
| 608 | 4990276 | DRIVE AXLE | 1 |
| 609 | 4991091 | 3/4 I.D. X 1 1/2 O.D. X FLAT WASHER - PLASTIC - PACK OF 1 | 6 |
| 610 | 4991609 | DRIVE WHEEL ASSEMBLY - INCLUDES: | 2 |
| 610A | 4990061 | 8" WHEEL WITH GROOVES | 1 |
| 610B | 4990341 | BEARING - WHEEL CLUTCH | 2 |
| 610C | 4990946 | BUSHING - WHEEL | 1 |
| 611 | 9123110 | 13/16 I.D. X 1 1/8 O.D. X .13 THICK 1 WAVE SPRING WASHER (3/4) PACK OF 1 | 2 |
| 612 | 9120825 | 3/16 SQUARE X 7/8 LONG KEY - STEEL - PACK OF 1 | 1 |
| 613 | 9120420 | 10-24 X 5/8 ROUND HEAD PHILLIPS MACHINE SCREW - PACK OF 10 | 2 |
| 614 | 9120330 | 10 EXTERNAL STAR LOCK WASHER - PACK OF 10 | 2 |
| 615 | 4890706 | FRONT CLAMP | 1 |
| 616 | 4990421 | BRUSH CABLE ADJUSTMENT BRACKET | 1 |
| 617 | 4890451 | BUSHING - SNAP IN | 5 |
| 618 | 9120370 | 7/32 I.D. X 1/2 O.D. X .032/.065 THICK FLAT WASHER (#10) PACK OF 10 | 2 |
| 619 | 9123000 | 11" LONG WIRE TIE | 1 |
| 620 | 4990391 | CABLE BRUSH LIFT | 1 |
| 621 | 9120350 | 10-24 HEX NUT WITH NY-LOCK INSERT - PACK OF 10 | 2 |
| 622 | 4990263 | MAIN FRAME ASSEMBLY | 1 |
| 623 | 9121390 | 11/32 I.D. X 11/16 O.D. X .051/.080 THICK FLAT WASHER (5/16) PACK OF 10 | 2 |
| 624 | 9121520 | 5/16 SPLIT LOCK WASHER - PACK OF 10 | 2 |
| 625 | 9121760 | 5/16-18 X 1 3/4 HEX BOLT - PACK OF 2 | 2 |
| 626 | 6492061 | RED 4 INCH CASTER - INCLUDES: | 2 |
| 626A | 4490391 | RED CASTER ONLY | 1 |
| 627 | 9122180 | 13/32 I.D. X 13/16 O.D. X .051/.080 THICK WROUGHT WASHER (3/8) - PACK OF 10 | 6 |
| 628 | 9122100 | 3/8 SPLIT LOCK WASHER - PACK OF 10 | 6 |
| 629 | 9122260 | 3/8-16 X 1 HEX BOLT - PACK OF 2 | 6 |
| 630 | 9120430 | 10-24 X 3/4 ROUND HEAD PHILLIPS MACHINE SCREW - PACK OF 10 | 1 |
| 631 | 4990749 | ROLLER CHAIN 31 LINK PLUS MASTER - INCLUDES: | 1 |
| | 4990741 | #35 X 31 CHAIN NO MASTER LINK | 1 |
| 631A | 4990751 | LINK - MASTER #35 CHAIN | 1 |
| 632 | 4991203 | BRACKET - BUMPER WHEEL | 1 |
| 633 | 9122020 | 3/8 DIAMETER X 3/8 LONG SOCKET HEAD SHOULDER BOLT (5/16-18) PACK OF 1 | 2 |
| 634 | 9121390 | 11/32 I.D. X 11/16 O.D. X .051/.080 THICK FLAT WASHER (5/16) PACK OF 10 | 2 |
| 635 | 9120890 | 1/4-20 HEX NUT WITH NY-LOCK INSERT - THIN - PACK OF 5 | 1 |
| 636 | 9120930 | 9/32 I.D. X 5/8 O.D. X .051/.080 THICK FLAT WASHER (1/4) PACK OF 10 | 1 |
| 637 | 9121210 | 1/4-20 X 5/8 HEX BOLT - PACK OF 10 | 1 |
| 638 | 4991929 | PROP ROD ASSEMBLY - INCLUDES: | |
| 638A | 4991901 | LOWER PROP ROD | 1 |
| 638B | 3190201 | BRUSH SPACER | 1 |
| 638C | 9122120 | 3/8 I.D. X 5/8 O.D. X .031 THICK 1 WAVE SPRING WASHER (3/8) - PACK OF 5 | 1 |
| 638D | 4991911 | UPPER PROP ROD | 1 |
| 639 | 9121980 | 7/16 I.D. X 1 O.D. X .075/.080 THICK FLAT WASHER (3/8) - PACK OF 2 | 2 |
| 640 | 9122100 | 3/8 SPLIT LOCK WASHER - PACK OF 10 | 2 |
| 641 | 9122260 | 3/8-16 X 1 HEX BOLT - PACK OF 2 | 2 |
| 642 | 4991081 | 3/4 I.D. X 1 1/4 O.D. X .031 THICK FLAT WASHER - PACK OF 1 | 2 |
| 643 | 9122080 | 3/8-16 X 2 1/2 HEX BOLT - PACK OF 1 | 1 |

WHEEL AND CHASSIS ASSEMBLY

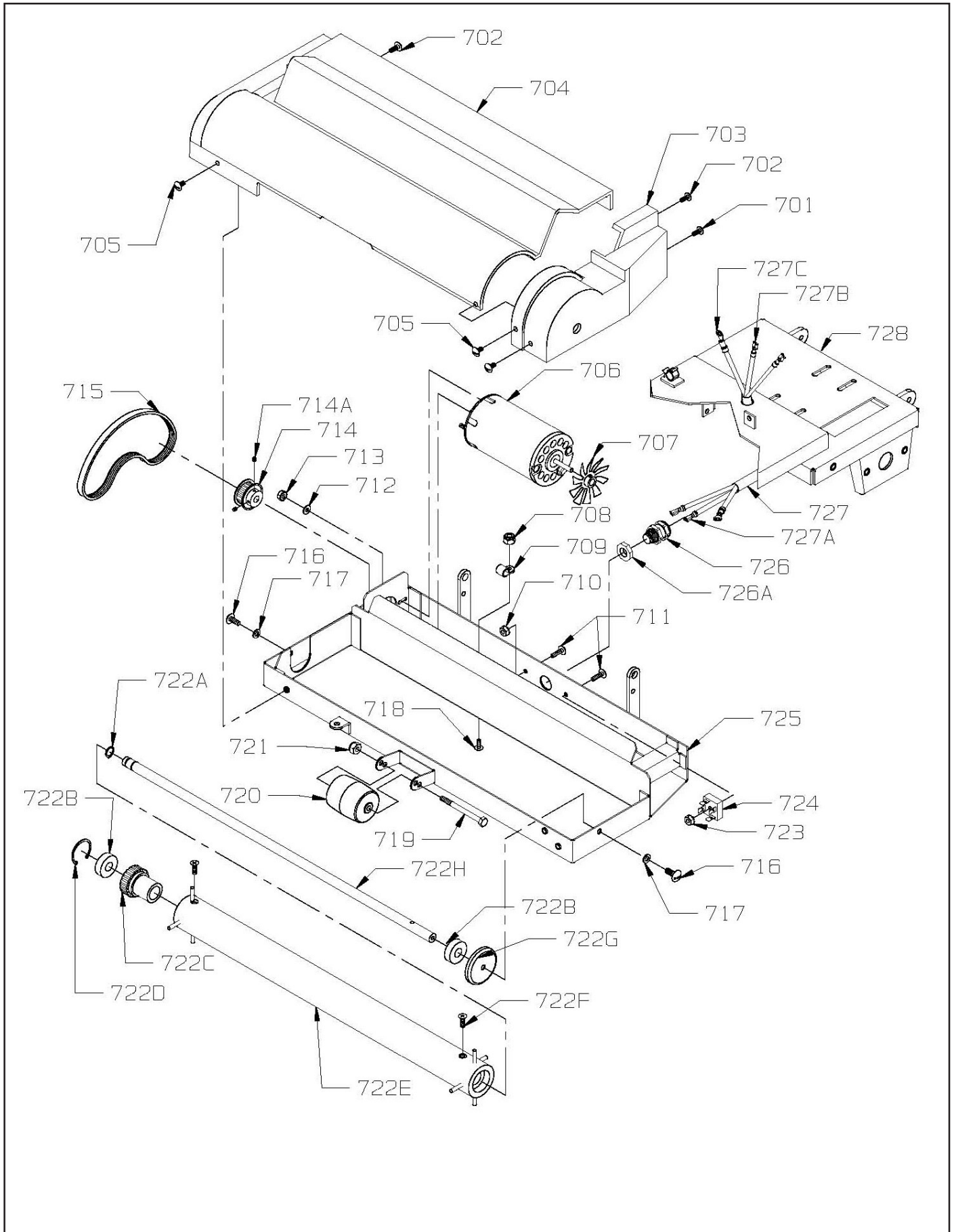


| | | | |
|-----|---------|--|---|
| 644 | 5294391 | AXLE SPACER | 1 |
| 645 | 2790281 | 3" BUMPER WHEEL | 1 |
| 646 | 9122140 | 3/8-16 HEX NUT WITH NY-LOCK INSERT - PACK OF 5 | 1 |
| 647 | 4992901 | BLACK / WHITE LABEL KIT | 1 |
| 648 | 9121600 | 5/16-18 X 5/8 HEX BOLT - PACK OF 5 | 2 |
| 649 | 9121520 | 5/16 SPLIT LOCK WASHER - PACK OF 10 | 2 |
| 650 | 9121400 | 3/8 I.D. X 7/8 O.D. X .064/.104 THICK WROUGHT WASHER (5/16) - PACK OF 10 | 2 |
| 651 | 9122115 | 3/8 DIAMETER X 3/4 LONG SOCKET HEAD SHOULDER BOLT (5/16-18) PACK OF 1 | 2 |

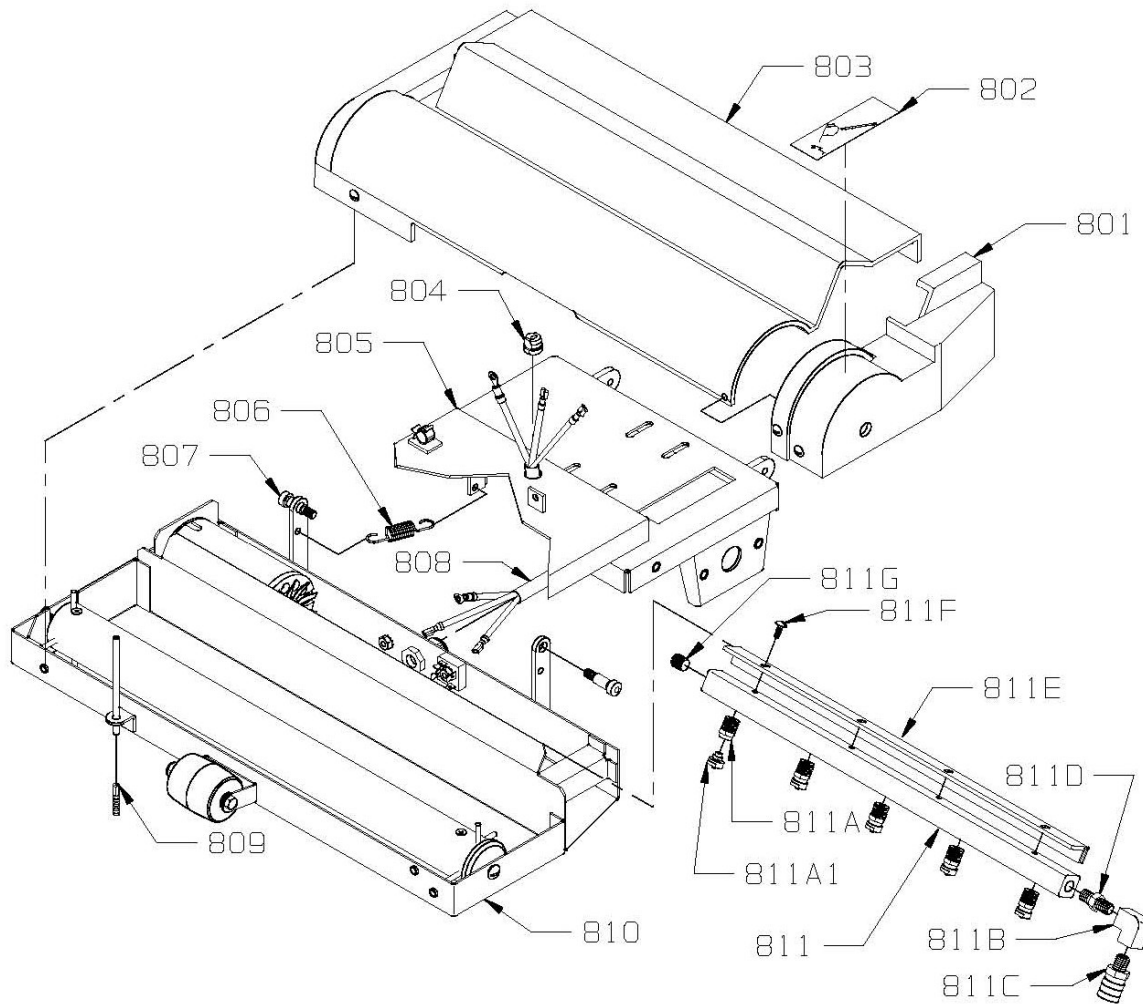
BRUSH HOUSING ASSEMBLY

| ITEM | PART NO. | PART DESCRIPTION | QTY. |
|-------------|-----------------|---|-------------|
| | 4991679 | BRUSH HOUSING ASSEMBLY - COMPLETE - INCLUDES: | |
| 701 | 9120510 | 10-24 X 1/2 TRUSS HEAD PHILLIPS MACHINE SCREW - PACK OF 10 | 2 |
| 702 | 9120810 | 10 X 1/2 PAN HEAD SHEET METAL SCREW - PACK OF 10 | 1 |
| 703 | 4991181 | COVER - BELT | 1 |
| 704 | 4990181 | COVER - LONG | 1 |
| 705 | 9120500 | 10-24 X 3/8 TRUSS HEAD PHILLIPS MACHINE SCREW - PACK OF 10 | 3 |
| 706 | 4991321 | BRUSH MOTOR - 120 VOLT | 1 |
| | 4991331 | BRUSH MOTOR - 240 VOLT | 1 |
| 707 | 4991531 | FAN | 1 |
| 708 | 9120350 | 10-24 HEX NUT WITH NY-LOCK INSERT - PACK OF 10 | 1 |
| 709 | 5294201 | NYLON CABLE CLAMP | 1 |
| 710 | 9120360 | 10-24 HEX NUT WITH STAR LOCK WASHER - PACK OF 10 | 3 |
| 711 | 9120430 | 10-24 X 3/4 ROUND HEAD PHILLIPS MACHINE SCREW - PACK OF 10 | 2 |
| 712 | 9120370 | 7/32 I.D. X 1/2 O.D. X .032/.065 THICK FLAT WASHER (#10) PACK OF 10 | 2 |
| 713 | 9120660 | 10-32 HEX NUT WITH NY-LICK INSERT - PACK OF 10 | 2 |
| 714 | 4990491 | PULLEY - BRUSH MOTOR - INCLUDES: | 1 |
| 714A | 9120650 | 10-32 X 3/4 SET SCREW - CUP POINT - PACK OF 5 | 2 |
| 715 | 4990481 | BELT | 1 |
| 716 | 9121000 | 1/4-20 X 5/8 TRUSS HEAD PHILLIPS MACHINE SCREW - PACK OF 5 | 2 |
| 717 | 9120970 | 1/4 EXTERNAL STAR LOCK WASHER - PACK OF 10 | 2 |
| 718 | 9120510 | 10-24 X 1/2 TRUSS HEAD PHILLIPS MACHINE SCREW - PACK OF 10 | 1 |
| 719 | 9121350 | 1/4-20 X 3 HEX BOLT - PACK OF 3 | 1 |
| 720 | 4991931 | ROLLER | 1 |
| 721 | 9120890 | 1/2-20 HEX NUT WITH NY-LOCK INSERT- THIN - PACK OF 5 | 1 |
| 722 | 4991659 | BRUSH ASSEMBLY - INCLUDES: | 1 |
| 722A | 3490491 | RETAINING RING | 1 |
| 722B | 1099921 | BEARING | 2 |
| 722C | 4990051 | PULLEY - BRUSH | 1 |
| 722D | 4991421 | RETAINING RING - BRUSH BEARING | 2 |
| 722E | 4990031 | BRUSH | 1 |
| 722F | 9120670 | 10-32 X 5/8 FLAT HEAD PHILLIPS MACHINE SCREW - PACK OF 10 | 2 |
| 722G | 4990081 | THREAD GUARD | 1 |
| 722H | 4990071 | AXLE | 1 |
| 723 | 9120360 | 10-24 HEX NUT WITH STAR LOCK WASHER - PACK OF 10 | 1 |
| 724 | 5492741 | RECTIFIER - 60 AMP | 1 |
| 725 | 4990173 | HOUSING - BRUSH | 1 |
| 726 | 4890831 | STRAIN RELIEF - INCLUDES: | 1 |
| 726A | 0891131 | PLASTIC STRAIN RELIEF NUT | 1 |
| 727 | 4990681 | POWER CORD - INCLUDES: | 1 |
| 727A | 4991371 | 1/4 FULLY INSULATED MALE TERMINAL - 18-22 GAGE | 2 |
| 727B | 3290671 | PUSH ON TERMINAL - #BB-8141 | 2 |
| 727C | 0298981 | #10 RING TERMINAL 14-16 GAGE | 2 |
| 728 | 4990263 | MAIN FRAME ASSEMBLY | 1 |

BRUSH HOUSING ASSEMBLY



SPRAY BAR ASSEMBLY



| ITEM | PART NO. | PART DESCRIPTION | QTY. |
|-------------|-----------------|---|-------------|
| 801 | 4991181 | COVER - BELT | 1 |
| 802 | 4992901 | BLACK / WHITE LABEL KIT | 1 |
| 803 | 4990181 | COVER - LONG | 1 |
| 804 | 4891071 | STRAIN RELIEF | 1 |
| 805 | 4990263 | MAIN FRAME ASSEMBLY | 1 |
| 806 | 4990241 | ADJUSTING WHEEL SPRING | 1 |
| 807 | 9122115 | 3/8 DIAMETER X 3/4 LONG SOCKET HEAD SHOULDER BOLT (5/16-18) - PACK OF 1 | 2 |
| 808 | 4990681 | POWER CORD - INCLUDES: | 1 |
| 809 | 4990391 | CABLE BRUSH LIFT | 1 |
| 810 | 4990173 | HOUSING - BRUSH | 1 |
| 811 | 4991669 | SPRAY BAR ASSEMBLY - ICNLUDES: | 1 |
| 811 | 4990041 | SPRAY BAR | 1 |
| 811A | 4990901 | SPRAY TIP WITH BODY - INCLUDES: | 5 |
| 811A | 4891291 | BODY ONLY | 1 |
| 811A1 | 4990911 | SPRAY TIP ONLY | 1 |
| N/S | 4892111 | SPRAY TIP SEAL GASKET - "O" RING | 1 |
| 811B | 3891141 | 1/4 ELBOW 90 DEGREE | 1 |
| 811C | 4991281 | FEMALE QUICK CONNECT | 1 |
| 811D | 3891941 | 1/4 HEX NIPPLE | 1 |
| 811E | 4991043 | MANIFOLD GUIDE | 1 |
| 811F | 9120510 | 10-24 X 1/2 TRUSS HEAD PHILLIPS MACHINE SCREW - PACK OF 10 | 4 |
| 811G | 2392151 | 1/4" PIPE PLUG - BRASS | 1 |
| N/S | 8891130 | GASKET 1" X 1/8",NEOPRENE | .33FT |

ACCESSORIES



2598551 15' VACUUM HOSE - CLEAR - INCLUDES:
2590361 1 1/2" HOSE CUFFS



2594251 25' VACUUM HOSE - CLEAR - INCLUDES:
2599611 1 1/2" HOSE CUFFS

4095461 15' VACUUM HOSE - BLACK - INCLUDES:
2599611 HOSE CUFFS



4098021 15' SOLUTION HOSE - LOW PRESSURE - FEMALE / FEMALE QDC
3891581 15' SOLUTION HOSE - LOW PRESSURE - MALE / MALE QDC
3890991 15' SOLUTION HOSE - LOW PRESSURE - FEMALE / MALE QDC
3890981 25' SOLUTION HOSE - LOW PRESSURE - MALE / MALE QDC



4097111
QUICK CONNECT ADAPTOR
FEMALE / FEMALE



4991949
COIL HOSE WITH SPRAY GUN
LOW PRESSURE - FEMALE QDC



4097101 3 - JET WAND - 12" WIDTH
4097201 2 - JET WAND - 12" WIDTH
4097301 SINGLE JET - 30" LONG STAIR WAND - 9 3/4" WIDTH
4098101 12" SQUEEGEE WITH WAND



4097401
6" STAIR TOOL



4097501
4" UPHOLSTERY TOOL



4097601
3 1/2" DETAIL TOOL



4098031
8" FLATTENED INTERNAL SPRAY CREVICE TOOL



3097849
14" SQUEEGEE WITH BRUSH

4892859 UPHOLSTERY KIT - INCLUDES:
4097501 4" UPHOLSTERY TOOL
2598551 15' VACUUM HOSE - CLEAR
4098021 15' SOLUTION HOSE - LOW PRESSURE - FEMALE / FEMALE QDC
4892869 DETAIL 3 - JET WAND TOOL KIT - INCLUDES:
4097101 3 - JET WAND - 12" WIDTH
2598551 15' VACUUM HOSE
4098021 15' SOLUTION HOSE - LOW PRESSURE - FEMALE / FEMALE QDC



NSS ® Enterprises, Inc.

3115 Frenchmens Road, Toledo, Ohio 43607
PHONE (419) 531-2121 FAX (419) 531-3761

NSS ® Enterprises, Inc. European Distribution Centre
Unit II, Pinfold Trading Estate * 55 Nottingham Road
STAPLEFORD, NOTTINGHAM NG9 8AD ENGLAND U.K.
PHONE: (44) 0115 939 1568 * FAX: (44) 0115 949 0615