



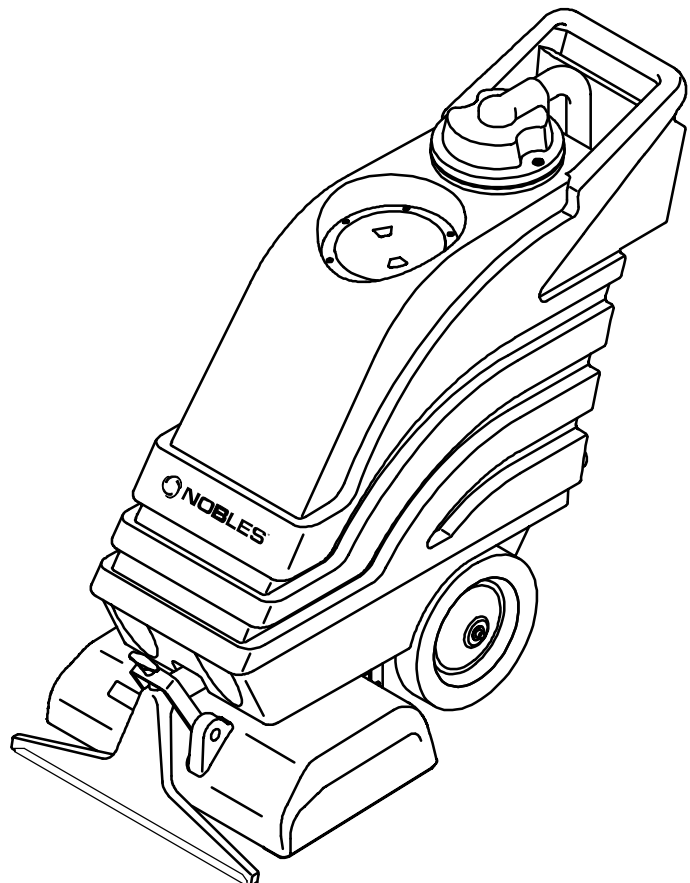
# Power Eagle™ 1016/1020 Plus

Self-Contained Carpet Extractor  
Aspirador para moquetas con depósito incorporado

U.S. Patent No.: 4,956,891

**Model No.:**  
**1002564 – 1016**  
**1002556 – 1020**

**Operator and Parts Manual**  
**Manual del Operador y Piezas**



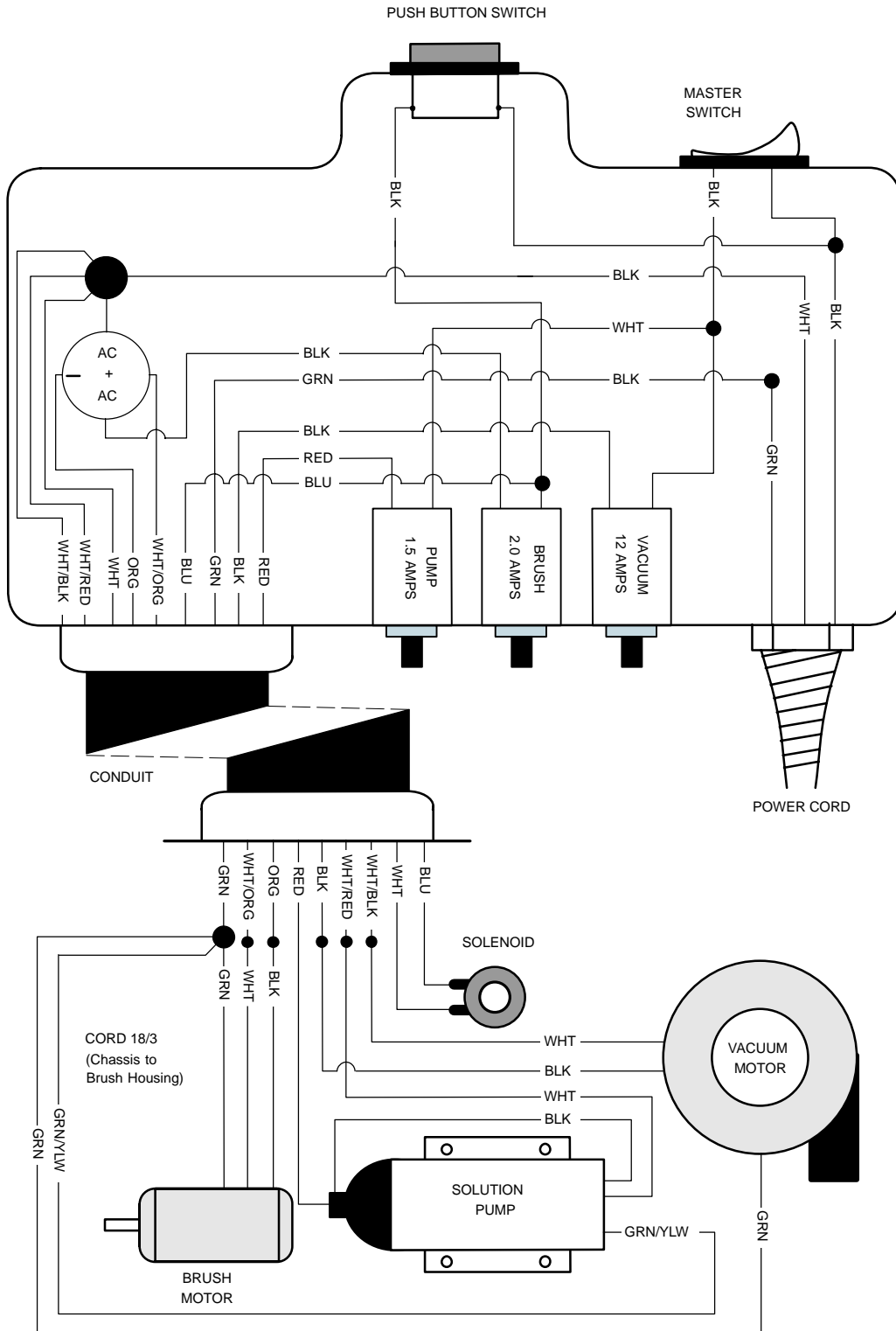
**NOBLES**  
12875 RANSOM STREET  
HOLLAND MI 49424 U.S.A.

**CUSTOMER SERVICE: 1-800-365-6625**  
**FAX: 1-800-678-4240**

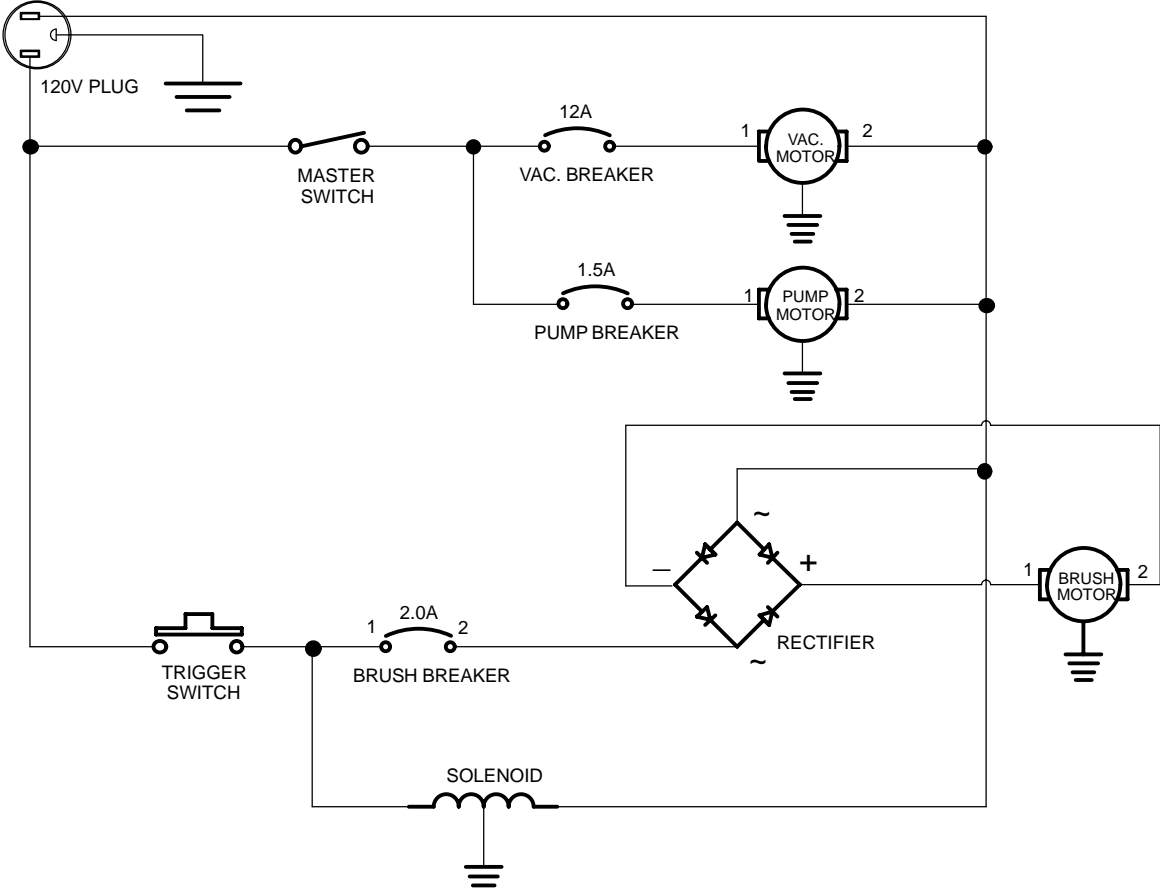
**613276**  
**Rev. 00 (04-02)**

# ELECTRICAL DIAGRAMS DIAGRAMAS ELECTRICAS

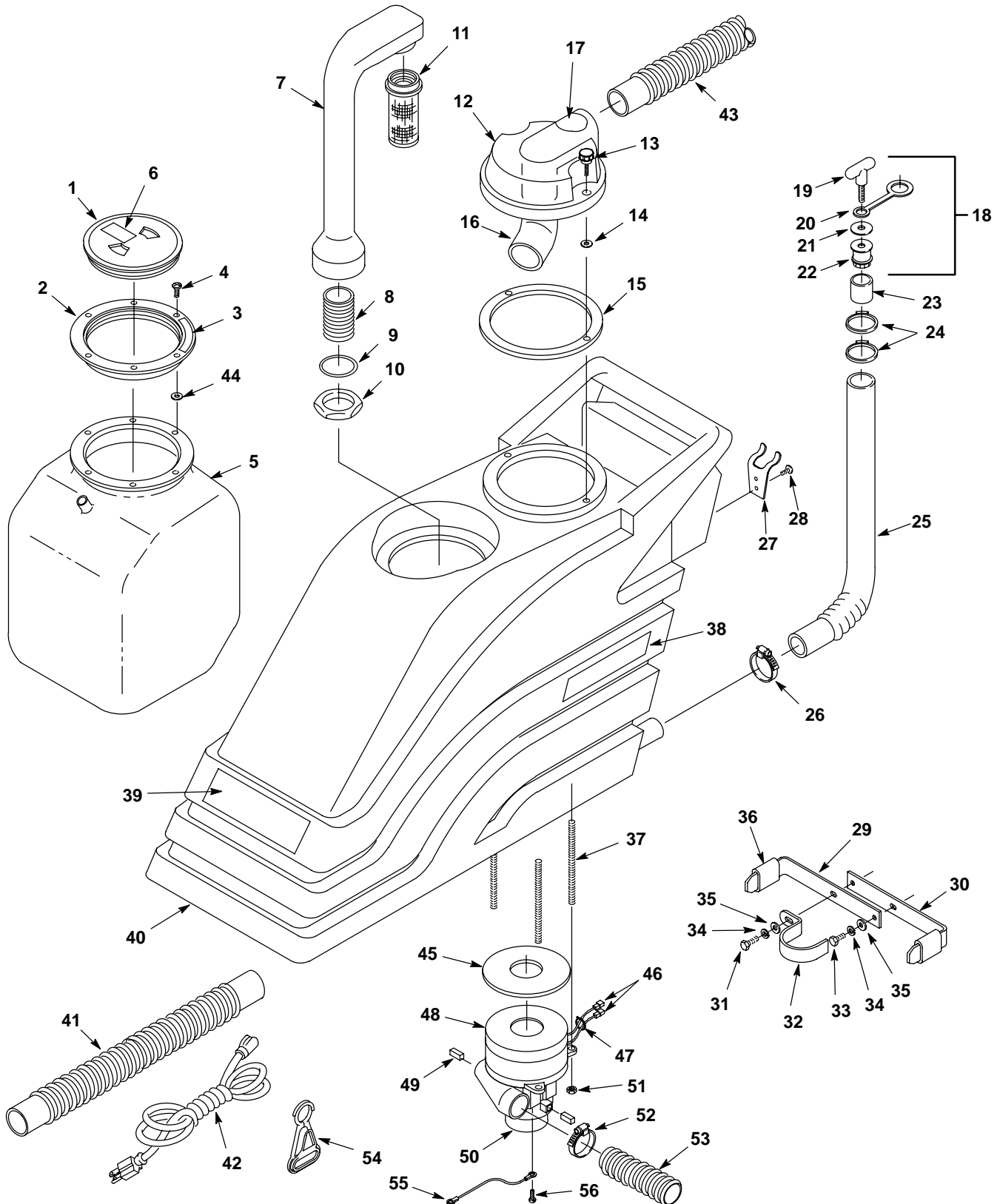
## WIRING DIAGRAM DIAGRAMA DE CABLEADO



LADDER DIAGRAM  
DIAGRAMA ESCALONADO



RECOVERY TANK GROUP  
CONJ. DEPOSITO RECUPERAR



**RECOVERY TANK GROUP**  
**CONJ. DEPOSITO RECUPERAR**

REF	PART #	DESCRIPTION	QTY.
▽	100103	●ASM., LID CLEAR	1
▲ 1	100105	LID, CENTER ONLY CLEAR	1
▲ 2	600812	LID, OUTER RING ONLY	1
3	120907	LABEL, IMPORTANT CLOSE	1
4	140900	SCREW, 10-24X3/4	6
5	602715	BAG, SOLUTION BLADDER	1
6	120906	LABEL, IMPORTANT DRAIN	1
▽ 7	602448	STANDPIPE	1
▲ 8	606088	FITTING, 1-1/2" NIPPLE CPVC	1
9	230159	O-RING	1
10	210240	NUT, FLANGED METAL 1-1/2 FPT	1
11	180613	●FLOAT, SHUT-OFF	1
▽	701005	ASSEMBLY, DOME	1
▲ 12	100112	DOME, VACUUM	1
▲ 13	240217	KNOB, DOME	2
▲ 14	140037	WASHER, NYLON	2
▲ 15	100042	●GASKET, RECOVERY DOME	1
▲ 16	230834	FITTING 1-1/2SX1-1/2S45 PVC-40	1
▲ 17	120399	LABEL, "DO NOT ALLOW FOAM"	1
▽ 18	701061	●ASSEMBLY, DRAIN PLUG	1
▲ 19	230831	KNOB, DRAIN HOSE	1
▲ 20	230882	●STRAP, RUBBER	1
▲ 21	140056	WASHER, FENDER	1
▲ 22	140955	PLUG, DRAIN HOSE	1
23	140921	SLEEVE, DRAIN HOSE	1
24	140072	CLAMP, HOSE 1-9/16 1-EAR	2
25	160416	HOSE, DRAIN	1
26	140307	CLAMP, HOSE	1
27	611978	BRACKET, HOSE HANGER	1
28	140825	SCREW, #6X1/2 PANPHL	2

REF	PART #	DESCRIPTION	QTY.
29	230844	BRACKET, W/HOLES TANK BRACE	1
30	230843	BRACKET, W/THDS TANK BRACE	1
31	140259	SCREW, 1/4-20X5/8	1
32	230955	CLAMP, TANK BRACE	1
33	01696	SCREW, .25-20X.50	1
34	140016	WASHER, 1/4 LOCK	2
35	140000	WASHER, FLAT	2
36	102569	GRIP, FOAM BLACK	1
37	140227	SCREW, STUD, 1/4-20X5	3
38	613390	LABEL, PWR EAGLE 1016 PLUS	2
	613389	LABEL, PWR EAGLE 1020 PLUS	2
39	608186	LABEL, NOBLES LOGO	1
40	608532	TANK, RECOVERY GREEN	1
41	160424	●HOSE, CLEANOUT 1.5"X36"	1
42	130250	●CORD, 16/3X50' YELLOW (120V)	1
43	160464	●HOSE, VAC, 11/2"X53" W/ CUFFS	1
44	140000	WASHER, FLAT	6
45	100118	●GASKET, VACUUM MOTOR	1
46	281004001	TERMINAL, FEMALE .25 RED	2
47	130040	WIRE TIE	2
▽ 48	130996	●MOTOR, VACUUM 5.7 3STG 120V	1
	130130	TERMINAL, RING #10 22-18 NI	1
▲ 49	602741	●BRUSH, CARBON W/HLDR (2/PK)	1
▲ 50	130486	●FAN SHELL, 5.7" MOTOR	1
51	41169	NUT, NYLOCK, 1/4-20	4
52	140308	CLAMP, HOSE	2
53	606160	●HOSE, EXHAUST 2"X24"	1
54	130176	●CLIP, CORD STRAIN-RELIEF	1
55	1002068	ASM., WIRE #18X16"	1
56	140885	SCREW, TRS 1/4-20X1/2 PHL	1

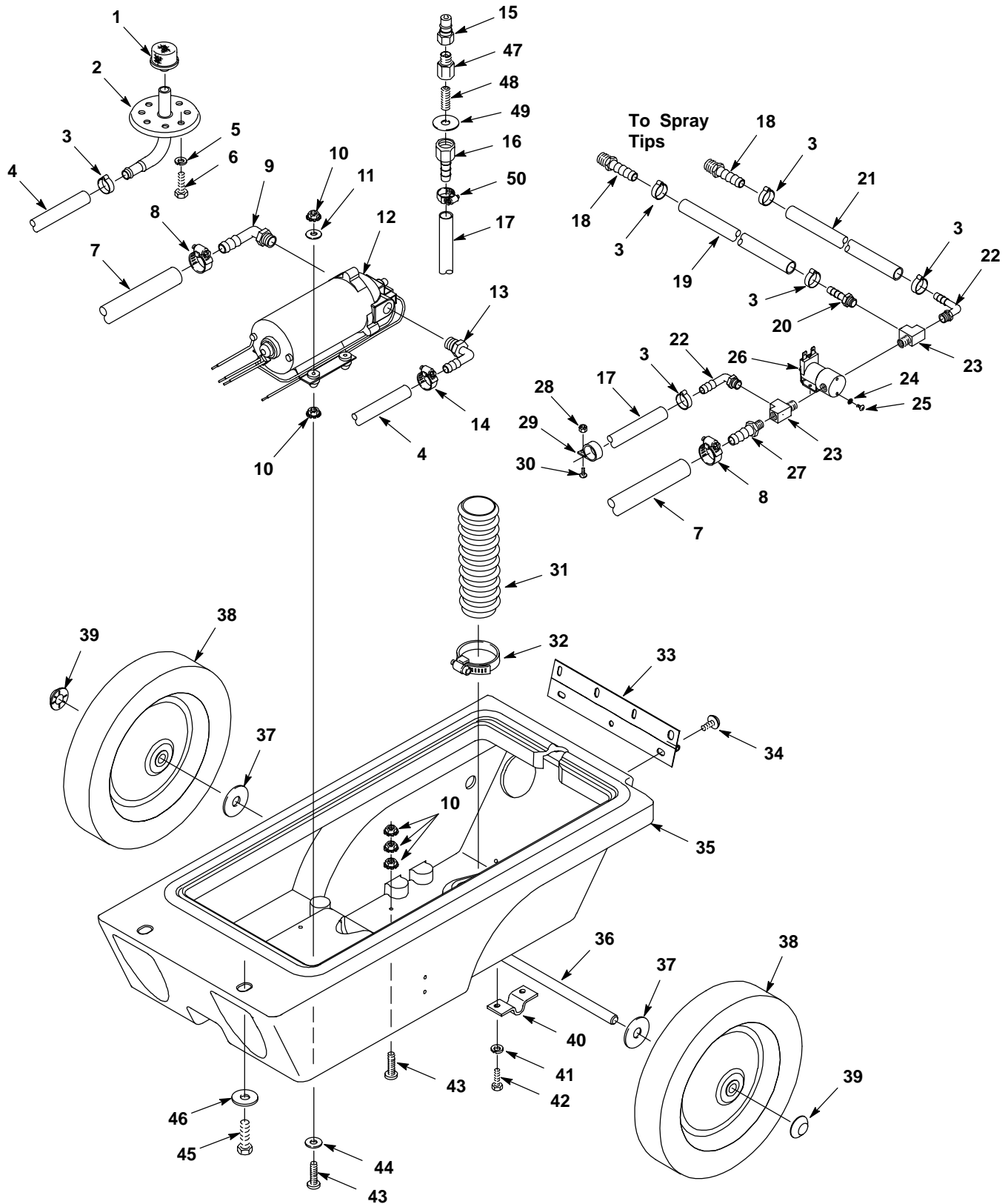
▽ ASSEMBLY / CONJUNTO

▲ INCLUDED IN ASSEMBLY / INCLUIDO EN EL CONJUNTO

● RECOMMENDED STOCK ITEMS / ARTICULOS

RECOMENDADOS PARA MANTENER EN EXISTENCIA

CHASSIS GROUP  
CONJUNTO TELAIO



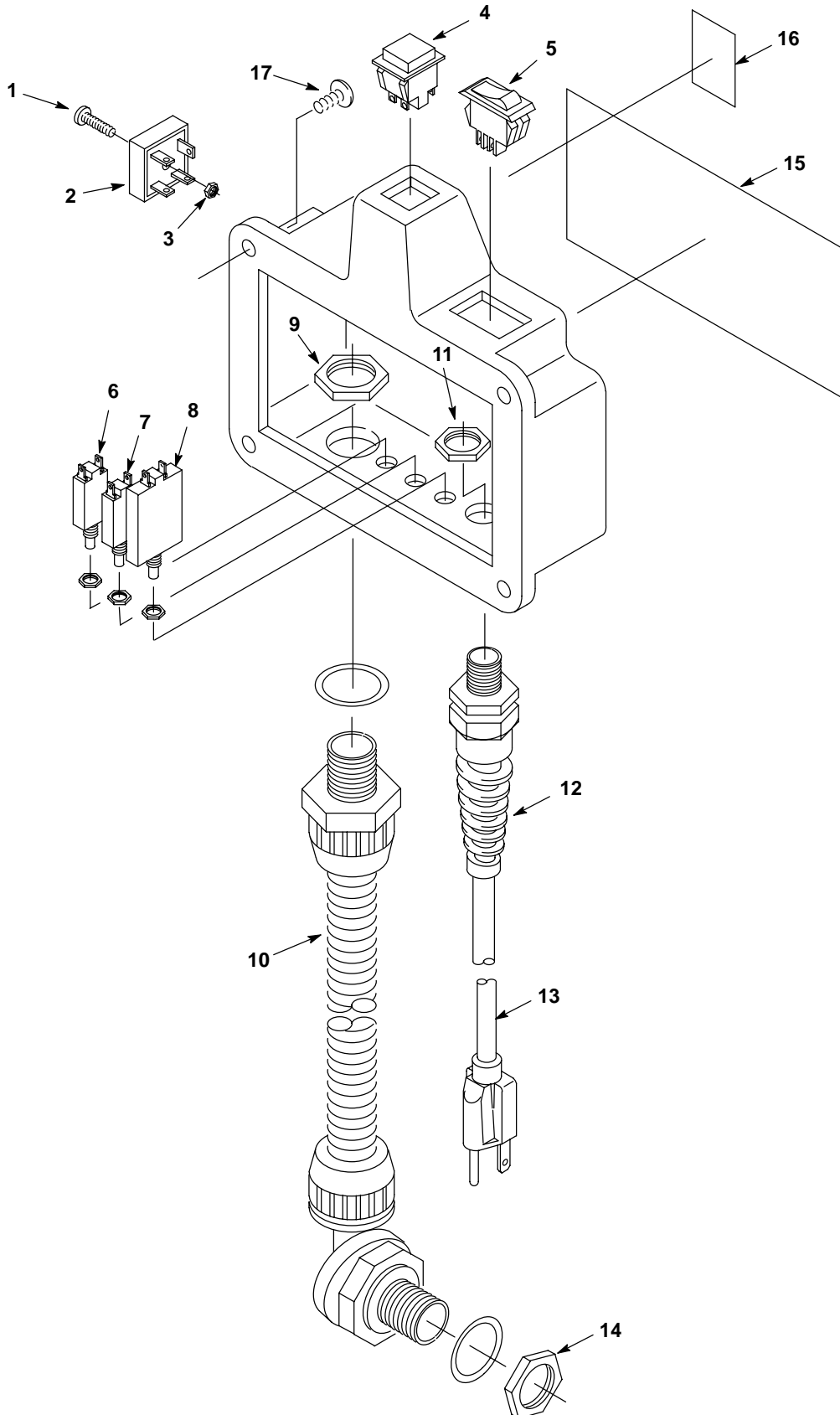
**CHASSIS GROUP**  
**CONJUNTO TELAIO**

REF	PART #	DESCRIPTION	QTY.
1	180628	●FILTER, SCREEN 100 MESH	1
2	600451	FITTING, BAG BLADDER PLATE	1
3	140301	CLAMP, HOSE 5/8ID EAR	6
4	606245	HOSE, 3/8IDX5/8ODX31" GRAY	1
5	140016	WASHER, LOCK .25	4
6	140259	SCREW, HEX 1/4-20X5/8	4
7	609436	HOSE, 1/2IDX3/4ODX24" RED	1
8	630369	CLAMP, HOSE .50-1.1	2
9	150425	FITTING, 3/8MX1/2H ELBOW 90 NY	1
10	140519	NUT, KEP 10-24	11
11	140011	WASHER, FLAT 0.18	4
12	180103	●PUMP, SOL 100PSI 120V	1
	281004001	TERMINAL, FEM .25 18-22 RED	1
	130130	TERMINAL, RING #10 22-18 NI	1
13	150412	FITTING, 3/8MX3/8H ELBOW 90 NY	1
14	140310	CLAMP, HOSE 5/16-7/8	1
15	150933	●FITTING, CPLR 1/4F ML SER60	1
16	150511	FITTING, BARB 1/4FX3/8H	1
17	606246	HOSE, 3/8IDX5/8ODX52" GRAY	1
18	150516	FITTING, BRS 1/4MX3/8H	2
19	607305	HOSE, 3/8IDX5/8ODX30" GRAY	1
20	150540	FITTING, BARB 1/4MX3/8H NYLON	1
21	607704	HOSE, 3/8IDX5/8ODX24.5" GRAY	1
22	150415	FITTING, 1/4MX3/8H ELBOW 90 NY	2
23	150709	FITTING, 1/4FX1/4FX1/4M BRS T	2
24	140023	WASHER, LOCK INT #8	2
25	140802	SCREW, 8-32X5/8 PANPHL	2

REF	PART #	DESCRIPTION	QTY.
26	210033	●VALVE, SOLENOID 120V 60HZ	1
27	150517	FITTING, BARB 1/4MX1/2H BRS	1
28	140552	NUT, 10-24 NYLON	1
29	140916	CLAMP, CABLE 5/8ID NYLON	1
30	140895	SCREW, 10-24X3/4 RNDPHL	1
31	069760778	●HOSE, EXHAUST 31.5"	1
32	140308	CLAMP, HOSE 1-5/16 TO 2-1/4	1
33	230390	HINGE, SOL. REC. TANK	1
34	140885	SCREW, 1/4-20X1/2 TRSPHL	7
35	1002172	FRAME, CHASSIS 1016 GREEN	1
	1002169	FRAME, CHASSIS 1020 GREEN	1
36	230739	AXLE, WHEEL 1/2DX 13-1/8L	1
37	140008	WASHER, FLAT .570X1.28X.075	2
38	103068	●WHEEL, TRANSPORT 10"X1.75	2
39	103019	CAP, HUB WHEEL 0.5ID	2
40	230746	BRACKET, AXLE 1/2DIA OFFSET	2
41	140016	WASHER, LOCK .25	4
42	140259	SCREW, HEX 1/4-20X5/8	4
43	140899	SCREW, 10-24X1-1/4 RNDPHL	5
44	19066	WASHER, FLAT #10	4
45	611048	SCREW, 3/8-16X1-1/4	2
46	140028	WASHER, FLAT	2
47	150000	ADAPTER, 1/4FX1/4M	1
48	150600	NIPPLE, 1/4"X2"	1
49	140008	WASHER, FLAT	1
50	54333	CLAMP, HOSE WORMDRIVE	1

● RECOMMENDED STOCK ITEMS / ARTICULOS  
RECOMENDADOS PARA MANTENER EN EXISTENCIA

CONTROL CONSOLE GROUP  
CONJUNTO CONSOLA DE CONTROLES





**CONTROL CONSOLE GROUP  
CONJUNTO CONSOLA DE CONTROLES**

REF	PART #	DESCRIPTION	QTY.	
∇	1002624	ASM., CONTROLBOX BLACK 120V	1	
▲	1	140879	SCREW, 6-32X3/4	1
▲	2	130304	●RECTIFIER, BRIDGE 600V	1
▲	3	140534	NUT, 6-32	1
▲	4	130441	●SWITCH, BRUSH/SPRAY, 120V	1
▲	5	130717	●SWITCH, ROCKER, 120V	1
▲	6	578337000	●BREAKER, CIRCUIT 1.5AMP	1
▲	7	609080	●BREAKER, CIRCUIT 2.0AMP	1
▲	8	130670	●BREAKER, CIRCUIT 12AMP	1

REF	PART #	DESCRIPTION	QTY.	
▲	9	140504	NUT, CONDUIT 1/2 NPT LOCK	1
▲	10	130977	HARNESS, WIRING	1
▲	11	612922	NUT, HEX CORDGRIP METAL	1
▲	12	130166	●GRIP, CORD, 120V	1
▲	13	130237	CORD, POWER 120V, 16/3 18 INCH	1
	14	140504	NUT, CONDUIT 1/2 NPT LOCK	1
	15	613283	LABEL, WARNING EXTRACTORS	1
	16	603829	LABEL, ON/OFF	1
	17	140885	SCREW, 1/4-20X1/2	4

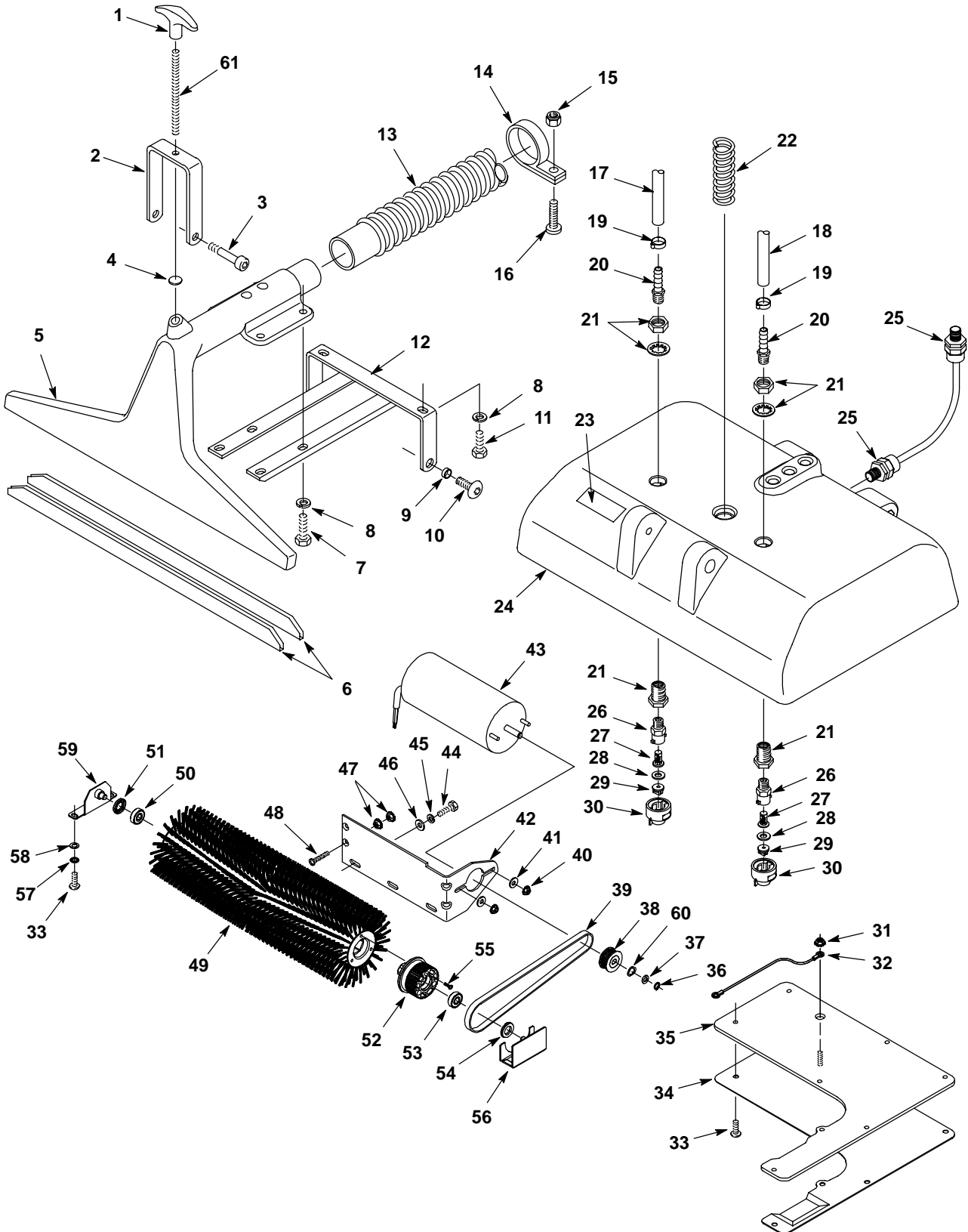
∇ ASSEMBLY / CONJUNTO

▲ INCLUDED IN ASSEMBLY / INCLUIDO EN EL CONJUNTO

● RECOMMENDED STOCK ITEMS / ARTICULOS

RECOMENDADOS PARA MANTENER EN EXISTENCIA

BRUSH BASE GROUP  
GRUPO DE LA BASE DEL CEPILLO



**BRUSH BASE GROUP**  
**GRUPO DE LA BASE DEL CEPILLO**

REF	PART #	DESCRIPTION	QTY.
1	240194	KNOB, TEE 5/16-18 FEMALE BLK	1
2	230461.BK	BRACKET, ADJ. HEIGHT BLACK	1
3	140564	SCREW, 3/8DIAX3/4 SHOULDER	2
4	140919	SPACER, .38X.50X.25 NYLON	1
5	230706.BK	NOZZLE, CARPET 16" BLACK	1
	230840.BK	NOZZLE, CARPET 20" BLACK	1
6	200956	●SHOE, CARPET NOZZLE 16"	2
	200825	●SHOE, CARPET NOZZLE 20"	2
7	140219	SCREW, HEX .31-18X1.00	4
8	140015	WASHER, SPLIT LOCK 0.31	6
9	140914	SPACER, .38X.50X.25 NYLON	2
10	140898	SCREW, 3/8-16X3/4 TRSPHL	2
11	140226	SCREW, HEX 5/16-18X5/8	2
12	230459.BK	BRACKET, BRUSH BASE MOUNT	1
13	603547	●HOSE, VAC 1-1/2X46" W/CUFFS	1
14	140327	CLAMP, CABLE 1-1/2 NYLON	1
15	140552	NUT, 10-24 NYLOCK	1
16	140804	SCREW, 10-24X1 RNDPHL	1
17	607704	HOSE, 3/8IDX5/8ODX24.5" GRAY	1
18	607305	HOSE, 3/8IDX5/8ODX30" GRAY	1
19	140301	CLAMP, HOSE 5/8ID EAR	2
20	150516	FITTING, 1/4MX3/8H BARB BRS	2
21	150300	FITTING, BRASS STR BKHD	2
22	1002390	SPRING, COMPRESSION	1
23	120617	LABEL, BRUSH HEIGHT ADJ.	1
24	1002178	BASE, BRUSH 16" BLACK	1
	1002174	BASE, BRUSH 20" BLACK	1
25	130190	GRIP, CORD 3/8N NYLON BLACK	2
26	575281000	FITTING, SPRAY BODY QUICK-JET	2
27	575603	●FILTER, SCREEN CHECK VALVE	2
28	575276000	●FITTING, GASKET QUICK-JET	2
29	1002543	●FITTING, TIP 11004E T-JET (20")	2
	1002544	●FITTING, TIP 9503E T-JET (16")	2
30	575282000	●FITTING, CAP QUICK-JET	2
31	140519	NUT, KEP 10-24	1
32	700551	ASM., WIRE #18X9" GREEN	1

REF	PART #	DESCRIPTION	QTY.
33	609062	SCREW, TRS M5X.8X12 PHL	10
34	1001049	PLATE, BRUSH BASE	1
35	1001048	GASKET, BASE PLATE	1
36	609474	CLIP, RETAINING .31ID SER-5100	1
37	069762311	WASHER, FLAT 0.31	1
38	1000245	●PULLEY, MOTOR NYLON	1
39	1001045	●BELT, BRUSH	1
40	140518	NUT, KEP 10-32	2
41	19066	WASHER, FLAT #10	2
42	575256000	BRACKET, MOTOR MOUNT	1
43	1000744	●MOTOR, ELECT. .25HP 120VDC	1
44	140259	SCREW, HEX 1/4-20X5/8	2
45	140016	WASHER, LOCK 0.25	2
46	140000	WASHER, FLAT 1/4	2
47	140519	NUT, KEP 10-24	2
48	140959	SCREW, 10-24X1/2 FHP	1
▽ 49	1002040	●ASM., BRUSH CHEVRON 13" (1016) SCRUB STIFF	1
	1002041	●ASM., BRUSH CHEVRON 13" (1016) SCRUB SOFT (OPTIONAL)	1
	1001272	●ASM., BRUSH CHEVRON 17" (1020) SCRUB STIFF	1
	1002039	●ASM., BRUSH CHEVRON 17" (1020) SCRUB SOFT (OPTIONAL)	1
▲ 50	140125	●BEARING, BRUSH	1
▲ 51	575266000	●SEAL, BRUSH BEARING	1
▽ 52	1001217	●PULLEY, BRUSH ASM.	1
▲ 53	140125	●BEARING, BRUSH	1
▲ 54	575266000	●SEAL, BRUSH BEARING	1
55	140827	SCREW, #6X1 PANPHL	3
56	1000542	BRACKET, PULLEY BEARING MNT	1
57	140018	WASHER, LOCK INT #10	2
58	140011	WASHER, FLAT 0.18	2
59	<del>1000886</del> 1001083	BRACKET, BRUSH IDLER BEARING MOUNT	1
60	621290000	WASHER, WAVE .38X.59	1
61	230258	SCREW, STUD 3/8-16X2"	1

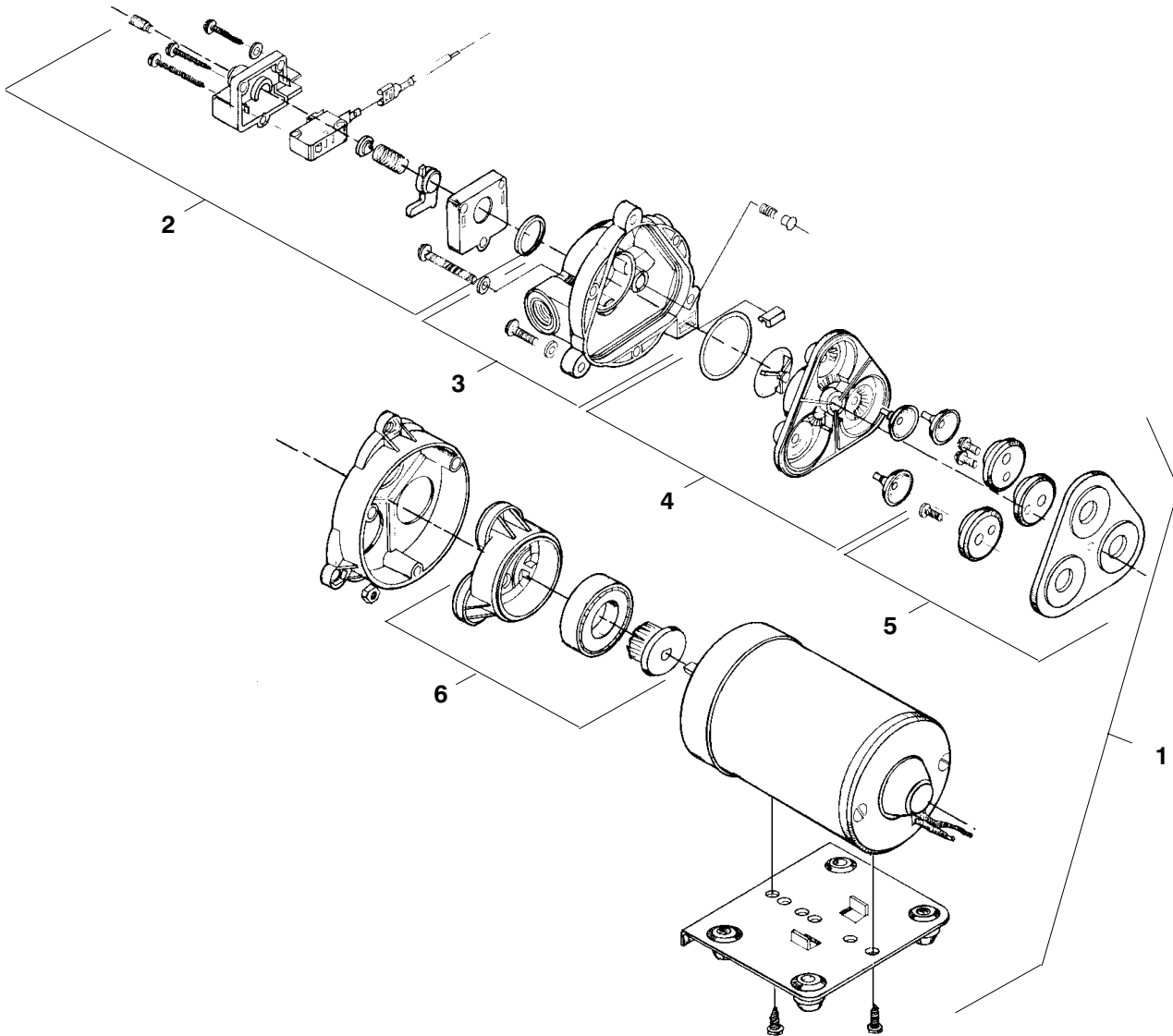
▽ ASSEMBLY / CONJUNTO

▲ INCLUDED IN ASSEMBLY / INCLUIDO EN EL CONJUNTO

● RECOMMENDED STOCK ITEMS / ARTICULOS

RECOMENDADOS PARA MANTENER EN EXISTENCIA

**PUMP BREAKDOWN**  
**CLASIFICACIÓN DE LA BOMBA**

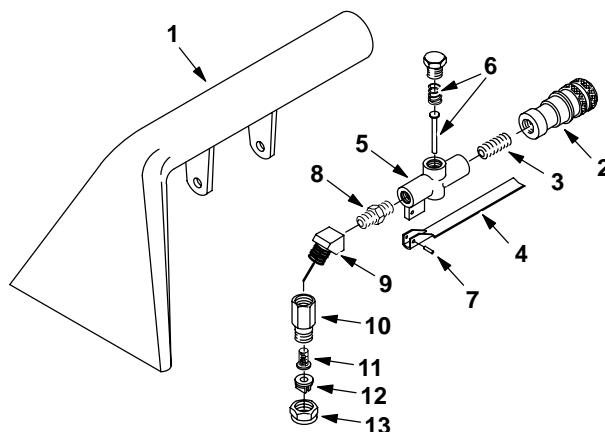


REF	PART #	DESCRIPTION	QTY.
1	180103	●PUMP, SOLUTION 100PSI 120V	1
2	190129	●KIT, PRESSURE SWITCH	1
	190172	●KIT PRESSURE SWITCH (VITON)	1
	190134	●KIT, DIAPHRAGM ONLY	1

● RECOMMENDED STOCK ITEMS / ARTICULOS  
RECOMENDADOS PARA MANTENER EN EXISTENCIA

REF	PART #	DESCRIPTION	QTY.
3	190128	●KIT, UPPER PUMP HOUSING	1
	190124	●KIT, CHECK VALVE ONLY	1
4	190171	●KIT, VALVE (VITON)	1
5	190131	●KIT, SERVICE	1
6	190130	●KIT, LOWER PUMP HOUSING	1

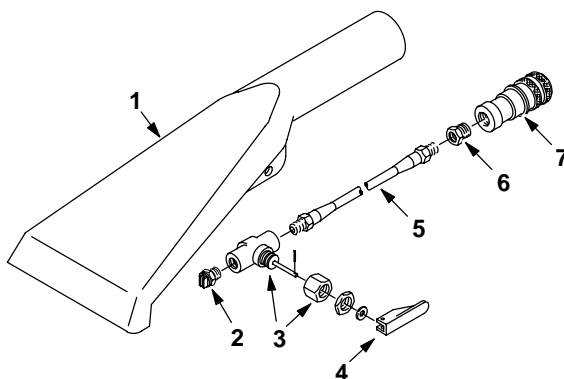
### 127mm (5 in) HAND TOOL GROUP ACCESORIO MANUAL



REF	PART #	DESCRIPTION	QTY.
∇	200505	●ASM., HAND TOOL 5"	1
▲ 1	200431.BK	TOOL, HAND	1
▲ 2	150913	FITTING, 1/4F QD FML COUPLER	1

▲ 3	150615	NIPPLE, CLOSE	1
▲ 4	200905	TRIGGER, HAND TOOL	1
▲ 5	210210	●VALVE, FLOW CONTROL	1
▲ 6	190600	VALVE PIN & SPRING	1

### 76mm (3 in) CREVICE TOOL GROUP ACCESORIO PARA HENDIDURAS



REF	PART #	DESCRIPTION	QTY.
∇	200517	●ASM., CREVICE TOOL SER.60	1
▲ 1	200436.BK	TOOL, CREVICE BLACK	1
▲ 2	200975	●FITTING, TIP #5002 V-JET	1
▲ 3	210014	●VALVE, TOGGLE W/NUT	1

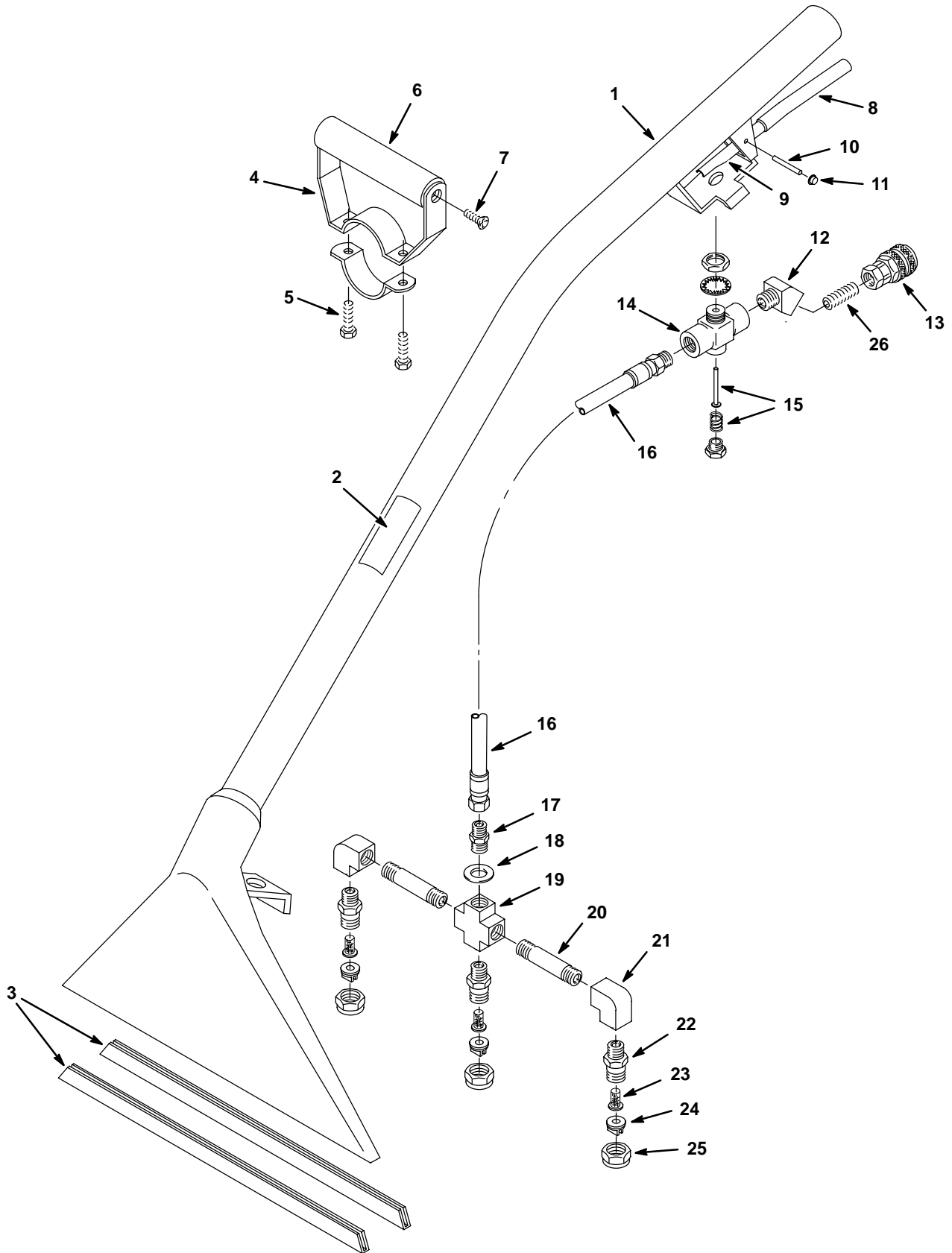
REF	PART #	DESCRIPTION	QTY.
▲ 4	210020	POSITIONER, VALVE HANDLE	1
▲ 5	160106	HOSE, SOLUTION	1
▲ 6	150100	FITTING, 1/4MX1/8F BUSHING	1
▲ 7	150913	FITTING, 1/4F QD FML COUPLER	1

∇ ASSEMBLY / CONJUNTO

▲ INCLUDED IN ASSEMBLY / INCLUIDO EN EL CONJUNTO

● RECOMMENDED STOCK ITEMS / ARTICULOS  
RECOMENDADOS PARA MANTENER EN EXISTENCIA

330mm (13 in) LOW PRESSURE WAND GROUP  
ACCESORIO PARA EL SUELO



**330mm (13 in) LOW PRESSURE WAND GROUP  
ACCESORIO PARA EL SUELO**

REF	PART #	DESCRIPTION	QTY.
▽	600048	●ASM., WAND LOW PRESSURE	1
▲ 1	200403.BK	TOOL, FLOOR BLACK	1
▲ 2	120846	DECAL, LOW PRESSURE TOOL	1
▲ 3	200939	●SHOE, 330MM (13 IN) FLR TOOL	2
▲▽ 4	200927	GRIP, HAND ADJ. COMPLETE	1
▲ 5	140259	SCREW, 1/4-20X5/8	2
▲ 6	200912	GRIP, HANDLE FOAM	1
▲ 7	140834	SCREW, 1/4-20X5/8	2
▲ 8	200809	SLEEVE, HANDLE	1
▲ 9	200902	HANDLE, VALVE	1
▲ 10	140605	PIN, HANDLE	1
▲ 11	140520	NUT, 1/4 PUSH BLK	2
▲ 12	150403	FITTING, 1/4MX1/4F 45 STR	1
▲ 13	150913	●FITTING, 1/4F QD CPLR SER 60	1

REF	PART #	DESCRIPTION	QTY.
▲▽ 14	210150	●VALVE, FLOW CONTROL	1
▲ 15	190603	●KIT, VALVE PIN AND SPRING	1
▲ 16	160170	ASM, HOSE LOW PRESSURE	1
▲ 17	150606	FITTING, 1/4MX1-3/8HEXNIP	1
▲ 18	140058	WASHER, .543X.875X.062 WAND	1
▲▽	700062	ASM., SPRAYBAR WO/TIPS	1
▲ 19	150700	CROSS, 1/4 FPT	1
▲ 20	150600	FITTING, 1/4MX2" NIPPLE	2
▲ 21	150401	FITTING, 1/4FX1/4F ELBOW 90	2
▲ 22	200993	SPRAY BODY, 1/4" MALE	3
▲ 23	200996	●FILTER, SCREEN 100 MESH	3
▲ 24	200964	●FITTING, TIP 11003 T-JET	3
▲ 25	200994	●CAP, SPRAY BODY	3
▲ 26	150615	FITTING, 1/4MX7/8 CLSNIP	1

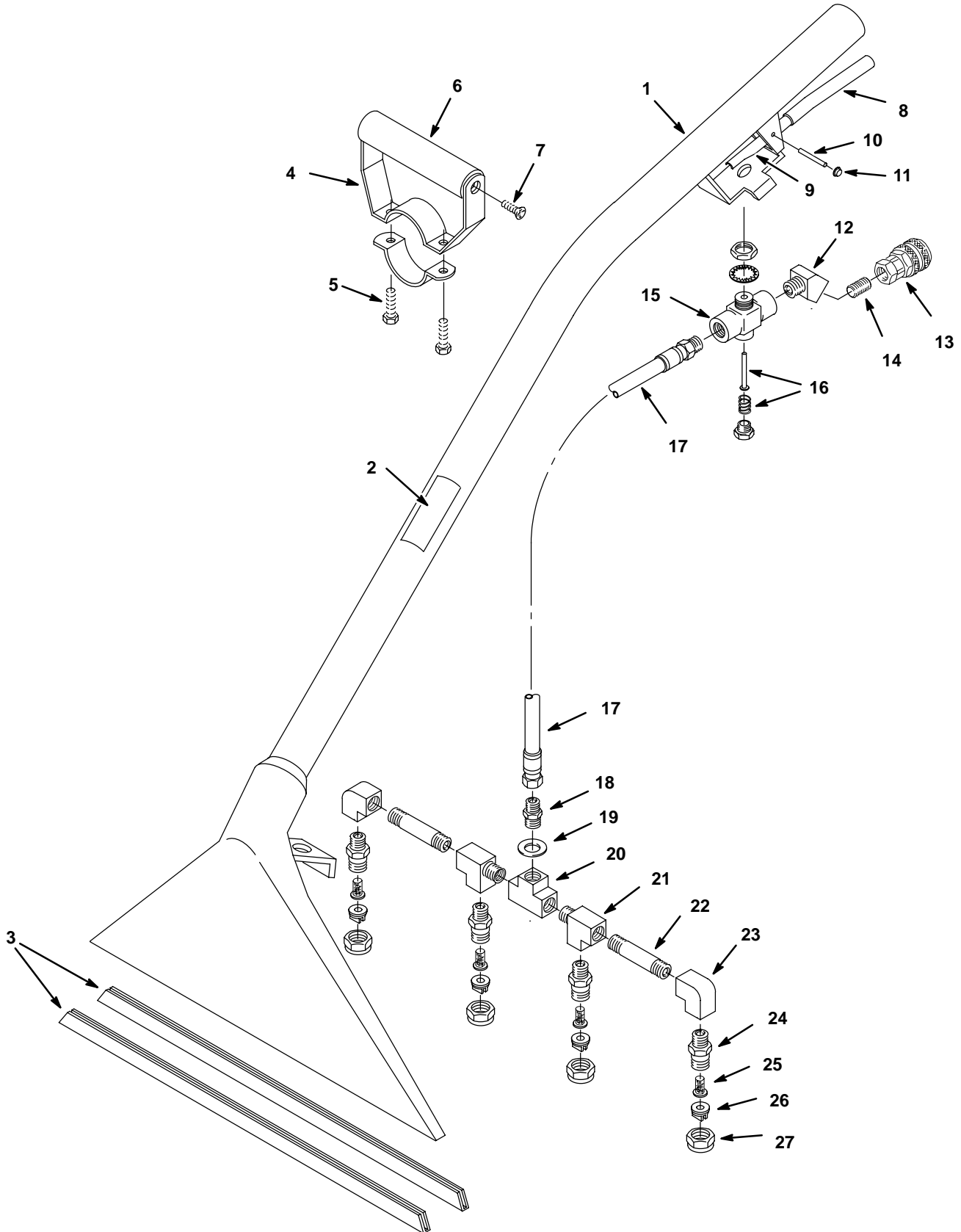
▽ ASSEMBLY / CONJUNTO

▲ INCLUDED IN ASSEMBLY / INCLUIDO EN EL CONJUNTO

● RECOMMENDED STOCK ITEMS / ARTICULOS

RECOMENDADOS PARA MANTENER EN EXISTENCIA

406mm (16 in) LOW PRESSURE WAND GROUP  
ACCESORIO PARA EL SUELO





**406mm (16 in) LOW PRESSURE WAND GROUP  
ACCESORIO PARA EL SUELO**

REF	PART #	DESCRIPTION	QTY.
▽	200503	●ASM., FLOOR TOOL	1
▲ 1	200411.BK	TOOL, FLOOR 406MM (16 IN)	1
▲ 2	120846	DECAL, LOW PRESSURE TOOL	1
▲ 3	200956	●SHOE, 406MM (16 IN) FLR TOOL	2
▲▽ 4	200927	GRIP, HAND ADJ. COMPLETE	1
▲ 5	140259	SCREW, 1/4-20X5/8	2
▲ 6	200912	GRIP, HANDLE FOAM	1
▲ 7	140834	SCREW, 1/4-20X5/8	2
▲ 8	200809	SLEEVE, HANDLE	1
▲ 9	200902	HANDLE, VALVE	1
▲ 10	140605	PIN, HANDLE	1
▲ 11	140520	NUT, 1/4 PUSH BLK	2
▲ 12	150403	FITTING, 1/4MX1/4F 45 STR	1
▲ 13	150913	●COUPLER, SER. 60	1
▲ 14	150615	NIPPLE, CLOSE 1/4	1

REF	PART #	DESCRIPTION	QTY.
▲▽ 15	210150	●VALVE, FLOW CONTROL	1
▲ 16	190603	●KIT, VALVE PIN AND SPRING	1
▲ 17	160170	ASM, HOSE LOW PRESSURE	1
▲ 18	150606	FITTING, 1/4MX1-3/8HEXNIP	1
▲ 19	140058	WASHER, .543X.875X.062 WAND	1
▲▽	700656	ASM., SPRAYBAR 16" WO/TIPS	1
▲ 20	150706	FITTING, 1/4F TEE	1
▲ 21	150709	FITTING, 1/4F X 1/4F X 1/4M	2
▲ 22	150600	FITTING, 1/4MX2" NIPPLE	2
▲ 23	150401	FITTING, 1/4FX1/4F ELBOW 90	2
▲ 24	200993	SPRAY BODY, 1/4" MALE	4
▲ 25	200996	●FILTER, SCREEN 100 MESH	4
▲ 26	200964	●FITTING, TIP 11003 T-JET	4
▲ 27	200994	●CAP, SPRAY BODY	4

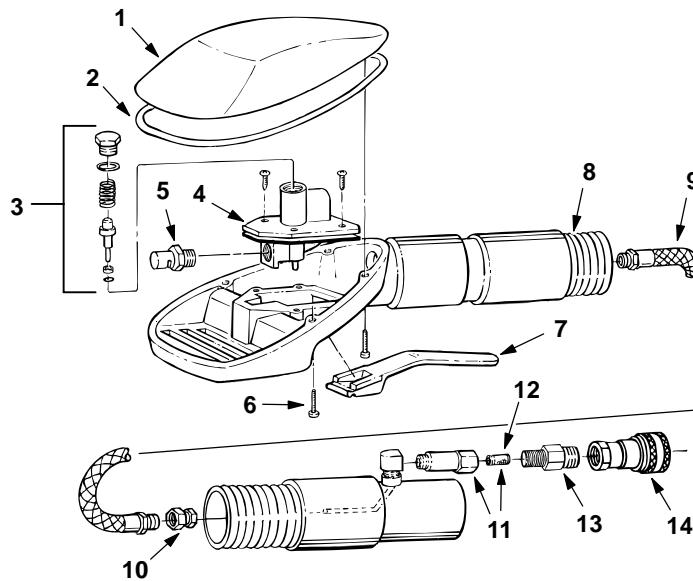
▽ ASSEMBLY / CONJUNTO

▲ INCLUDED IN ASSEMBLY / INCLUIDO EN EL CONJUNTO

● RECOMMENDED STOCK ITEMS / ARTICULOS

RECOMENDADOS PARA MANTENER EN EXISTENCIA

**UPHOLSTERY TOOL GROUP  
ACCESORIO PARA TAPICERÍA**



REF	PART #	DESCRIPTION	QTY.
∇	200540	●ASSEMBLY, UPHOLSTERY TOOL	1
▲ 1	200845	COVER	1
▲ 2	200843	GASKET	1
▲ 3	190631	●KIT, VALVE ASM.	1
▲ 4	210226	●VALVE, LP	1
▲ 5	200991	●NOZZLE	1
▲ 6	200838	SCREW	4
▲ 7	200840	TRIGGER	1

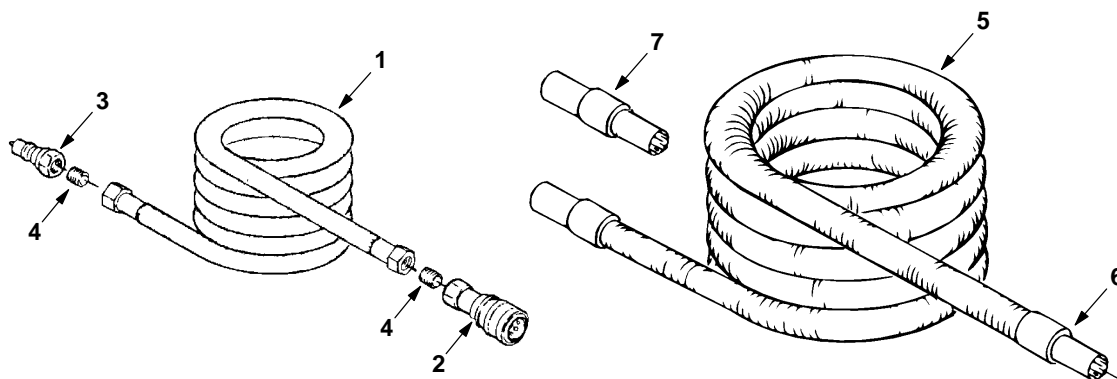
REF	PART #	DESCRIPTION	QTY.
▲ 8	200844	●HOSE, VACUUM	1
▲ 9	200837	●HOSE, SOLUTION	1
▲ 10	200848	FITTING	1
▲ 11	200842	FILTER	1
▲ 12	200841	SCREEN, FILTER	1
▲ 13	150606	FITTING, 1/4MX1/4M	1
▲ 14	150913	●COUPLER	1

∇ ASSEMBLY / CONJUNTO

▲ INCLUDED IN ASSEMBLY / INCLUIDO EN EL CONJUNTO

● RECOMMENDED STOCK ITEMS / ARTICULOS  
RECOMENDADOS PARA MANTENER EN EXISTENCIA

**SOLUTION AND VACUUM HOSES GROUP  
MANGUERAS DE DISOLUCIÓN Y ASPIRACIÓN**



REF	PART #	DESCRIPTION	QTY.
▽	600329	●KIT, HOSE, VAC & SOL 4.6M (15')	1
	600330	●KIT, HOSE, VAC & SOL 7.6M (25')	1
	600331	●KIT, HOSE, VAC & SOL 15.2M (50')	1
▲▽ 1	160185	HOSE, SOLUTION 4.6M (15')	1
	160186	HOSE, SOLUTION 7.6M (25')	1
	160187	HOSE, SOLUTION 15.2M (50')	1
▲ 2	150913	●COUPLER, QUICK SER. 60	1
▲ 3	150933	PLUG, QUICK COUPLER	1
▲ 4	150615	NIPPLE	2

REF	PART #	DESCRIPTION	QTY.
▲▽ 5	160400	HOSE, VACUUM 4.6M (15')	1
	160401	HOSE, VACUUM 7.6M (25')	1
	160402	HOSE, VACUUM 15.2M (50')	1
▲ 6	160430	●CUFF, HOSE 1-1/2"	2
▲ 7	160451	●CONNECTOR, VAC HOSE 1-1/2"	1

▽ ASSEMBLY / CONJUNTO

▲ INCLUDED IN ASSEMBLY / INCLUIDO EN EL CONJUNTO

● RECOMMENDED STOCK ITEMS / ARTICULOS

RECOMENDADOS PARA MANTENER EN EXISTENCIA