



Power Eagle™ 1016/1020

Self-Contained Carpet Extractor

U.S. Patent No.: 4,956, 891

Model No.:

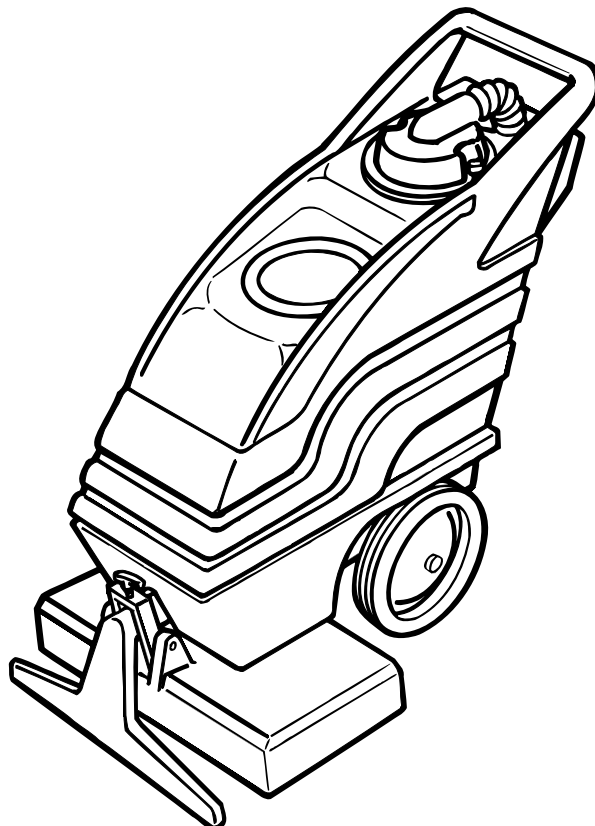
608540 – 1016

609233 – 1016 (Can.)

608527 – 1020

609232 – 1020 (Can.)

Operator and Parts Manual



NOBLES

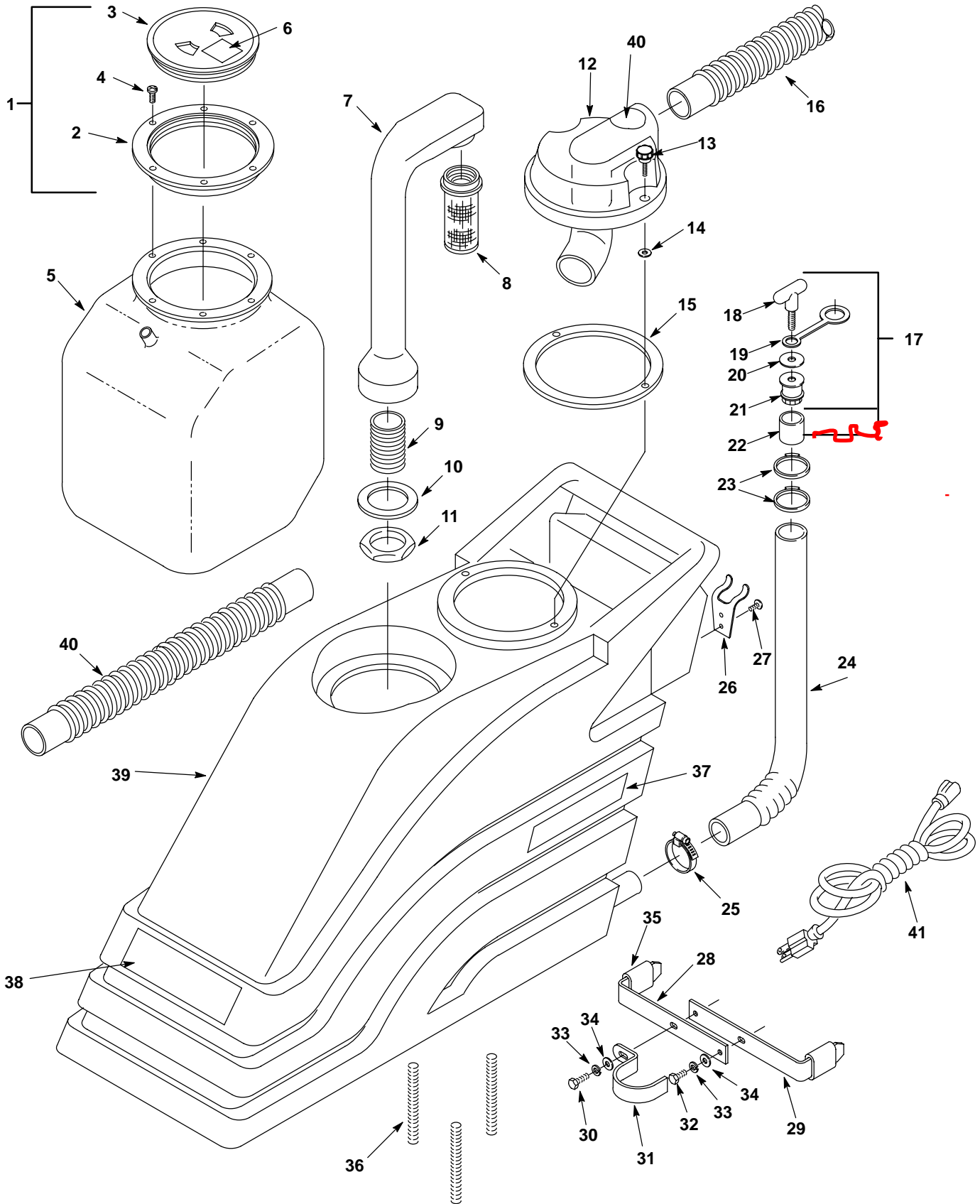
12875 RANSOM STREET
HOLLAND MI 49424 U.S.A.

CUSTOMER SERVICE: 1-800-365-6625
FAX: 1-800-678-4240

608529
Rev. 00 (09-99)

PARTS LIST

RECOVERY TANK GROUP



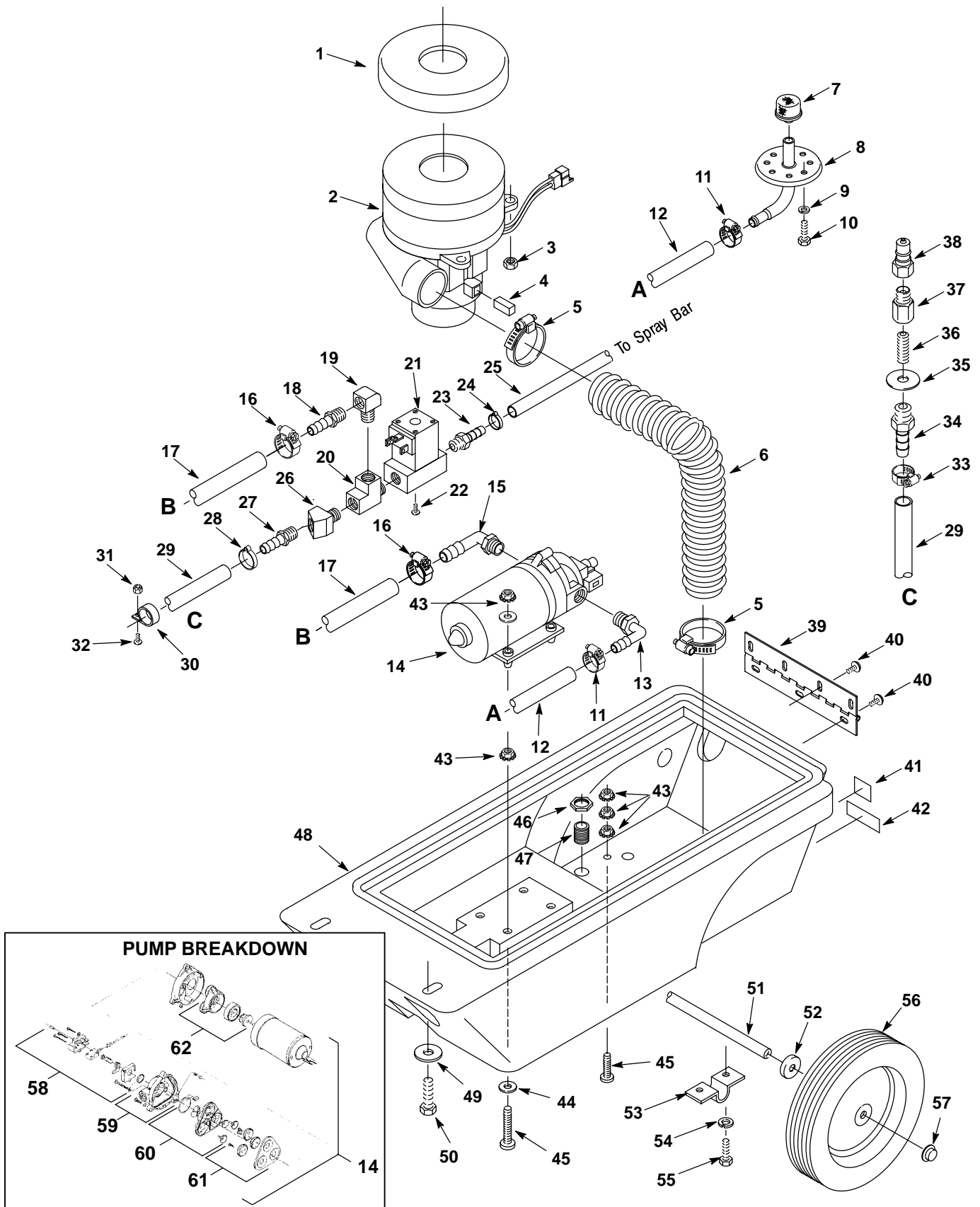
RECOVERY TANK

REF	PART #	DESCRIPTION	QTY.
1	100103	ASM., LID	1
2	100109	LID, OUTER RING	1
3	100105	LID, CENTER	1
4	140900	SCREW, 10-24X3/4	6
5	602715	BLADDER, TANK	1
6	578729	DECAL, READ MANUAL	1
7	602448	STAND PIPE	1
8	180613	FLOAT, SHUT-OFF	1
9	606088	FITTING, 1-1/2" NIPPLE CPVC	1
10	101714	GASKET	1
11	210240	NUT, FLANGED METAL 1-1/2 FPT	1
12	602497	ASM., DOME	1
13	240217	KNOB, DOME	1
14	140037	WASHER, NYLON	2
15	100142	GASKET, RECOVERY DOME	1
16	160464	HOSE, VAC, 11/2"X53" W/ CUFFS	1
17	701061	ASM., DRAIN PLUG	1
18	230831	KNOB, DRAIN HOSE	1
19	230882	STRAP, RUBBER	1
20	140056	WASHER, FENDER	1
21	140955	PLUG, DRAIN HOSE	1
22	140921	SLEEVE, DRAIN HOSE	1
23	140072	CLAMP	1
24	160418	HOSE, DRAIN	1

REF	PART #	DESCRIPTION	QTY.
25	140307	CLAMP, HOSE	1
26	230696.BK	BRACKET, HOSE HGR.	1
27	140826	SCREW, #6X3/4	2
28	230844	BRACKET W/ HOLES, TANK BRACE	1
29	230843	BRACKET W/ THDS, TANK BRACE	1
30	140259	SCREW, 1/4-20X5/8	1
31	230955	CLAMP, TANK BRACE	2
32	140553	SCREW, 1/4-20X1/2	1
33	140016	WASHER, 1/4 LOCK	2
34	140000	WASHER, FLAT	2
35	102569	GASKET, TANK	1
36	140227	SCREW, STUD, 1/4-20X5	3
37	608504	DECAL, POWER EAGLE 1016	1
	608528	DECAL, POWER EAGLE 1020	1
38	608186	DECAL, NOBLES LOGO	1
39	608532	TANK, RECOVERY, GREEN	1
40	160424	HOSE, CLEANOUT 1.5"X36"	1
41	130250	CORD, 16/3X50' YELLOW (120V)	1
	130936	CORD, 18/3X75' BLACK (230V/240V)	1

PARTS LIST

CHASSIS GROUP

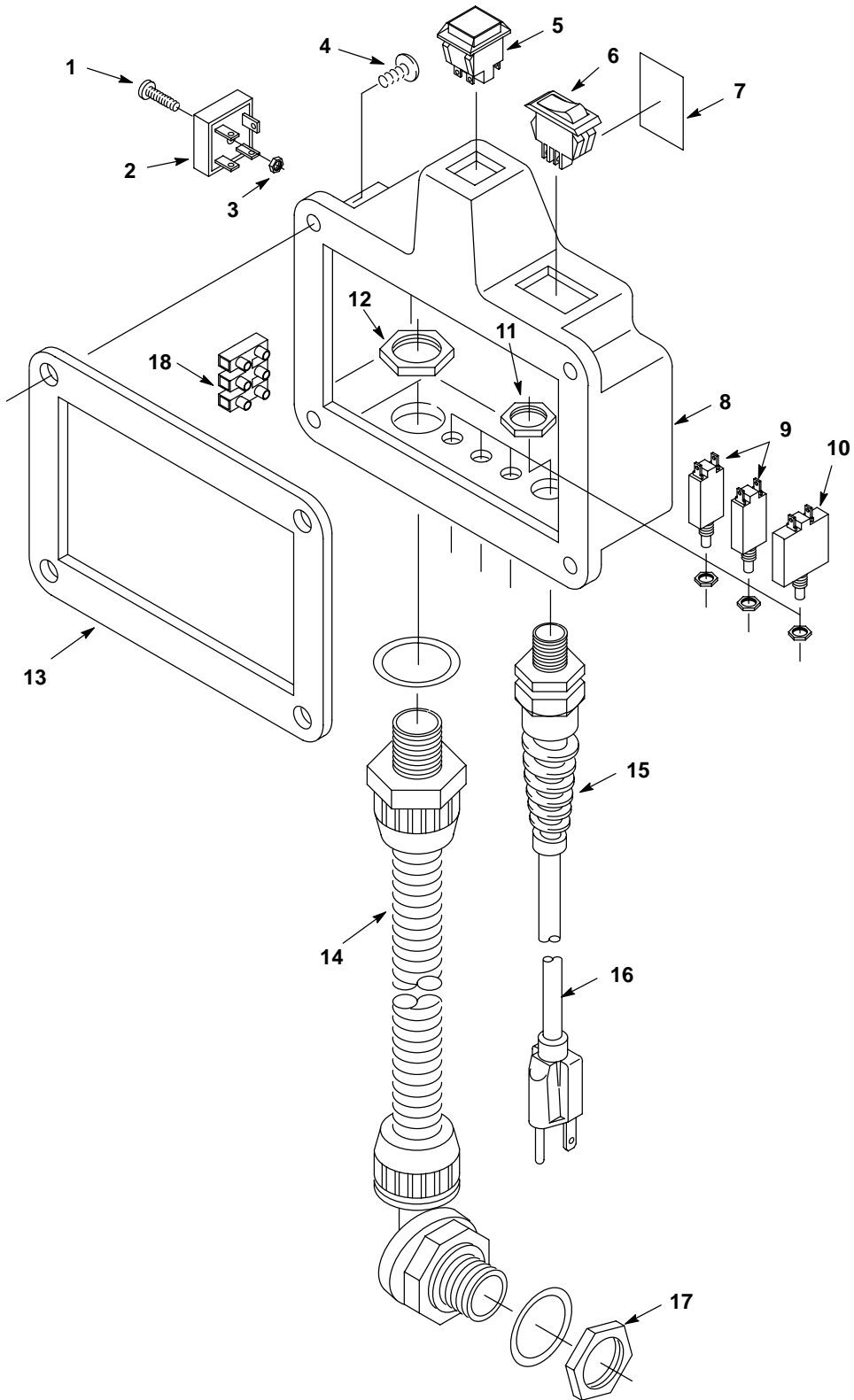


CHASSIS GROUP

REF	PART #	DESCRIPTION	QTY.
1	100118	GASKET, MOTOR VAC, 120V	1
	100038	GASKET, MOTOR VAC, 230V/240V	1
2	130996	MOTOR, VAC 5.7/3 STG 120V	1
	130403	MOTOR, VAC 5.7/2 STG 230V/240V	1
3	140501	NUT, NYLOCK, 1/4-20	1
4	602741	BRUSH, CARBON, 120V (2 P/K)	2
	190158	BRUSH, CARBON, 230V/240V (2/PK)	2
5	140308	CLAMP, HOSE	2
6	069760778	HOSE, EXHAUST 2"X24"	1
7	180628	SCREEN, TANK	1
8	600451	BLADDER PLATE	1
9	140016	WASHER, LOCK	4
10	140259	SCREW, 1/4-20X5/8	4
11	140310	CLAMP, HOSE	2
12	606245	HOSE, 3/8"X30.9" LP	1
13	150425	ELBOW, 3/8MX3/8H	1
14	180103	PUMP, 100PSI, 120V	1
	180109	PUMP, 100PSI, 230V/240V	1
15	150425	ELBOW, 3/8MX1/2H	1
16	630369	CLAMP, HOSE	2
17	607705	HOSE, 1/2"X24"	1
18	150517	FITTING, BARB 1/4MX1/2H	1
19	150406	ELBOW, 1/4", STRT 90	1
20	150709	TEE, 1/4"	1
21	210033	VALVE, SOLENOID, 120V	1
	210036	VALVE, SOLENOID, 230V 50HZ	1
	604073	VALVE, SOLENOID, 230V 60HZ	1
	210260	VALVE, SOLENOID, 240V	1
22	140801	SCREW, 8-32X3/8	2
23	150515	FITTING, BARB 1/4MX1/4H	1
24	140325	CLAMP, EAR	1
25	606244	HOSE, 1/4"X15" LP	1
26	150403	ELBOW, 1/4" 45°	1
27	150516	FITTING, BARB 1/4MX3/8H	1
28	140301	CLAMP	1
29	606246	HOSE, 3/8"X4.33' LP	1
30	140323	CLAMP, EAR	1
31	140552	NUT, 10-24 NYLOCK	3

REF	PART #	DESCRIPTION	QTY.
32	140823	SCREW, 10-24X5/8	1
33	140310	CLAMP, HOSE	1
34	150511	FITTING, BARB 1/4FX3/8H	1
35	140008	WASHER, FLAT	1
36	150600	NIPPLE, 1/4"X2"	1
37	150000	ADAPTER, 1/4FX1/4M	1
38	150923	PLUG, QUICK COUPLER	1
39	230390	HINGE, SOL/REC TANK	1
40	140885	SCREW, 1/4-20X1/2	7
41	N/A	DECAL, SERIAL TAG	1
42	120619	DECAL, WARNING EXTRACT.	1
43	140519	NUT, 10-24 KEP	11
44	140012	WASHER, FLAT	8
45	140889	SCREW, 1/4-20X3/4	5
46	140504	NUT, CONDUIT LOCK 1/2"	1
47	600692	STRAIN RELIEF	1
48	608530	CHASSIS, GREEN	1
49	140028	WASHER, FLAT	2
50	140202	SCREW, 3/8-16X1	2
51	230739	AXLE, .50DIA X 13.12"	1
52	140008	WASHER, FLAT	2
53	230746	BRACKET, AXLE OFFSET	2
54	140016	WASHER, 1/4 LOCK	4
55	140259	SCREW, 1/4-20X5/8	4
56	103059	WHEEL, 25.4CM	2
57	103019	CAP, HUB	2
58	190129	KIT, PUMP PRESSURE SWITCH	1
	190172	KIT, PUMP PRES SWITCH (VITON)	1
	190134	KIT, PUMP DIAPHRAGM ONLY	1
59	190128	KIT, PUMP UPPER HOUSING	1
	190124	KIT, PUMP CHECK VALVE ONLY	1
60	190171	KIT, PUMP VALVE (VITON)	1
61	190131	KIT, PUMP SERVICE	1
62	190130	KIT, PUMP LOWER HOUSING	1

CONTROL CONSOLE GROUP



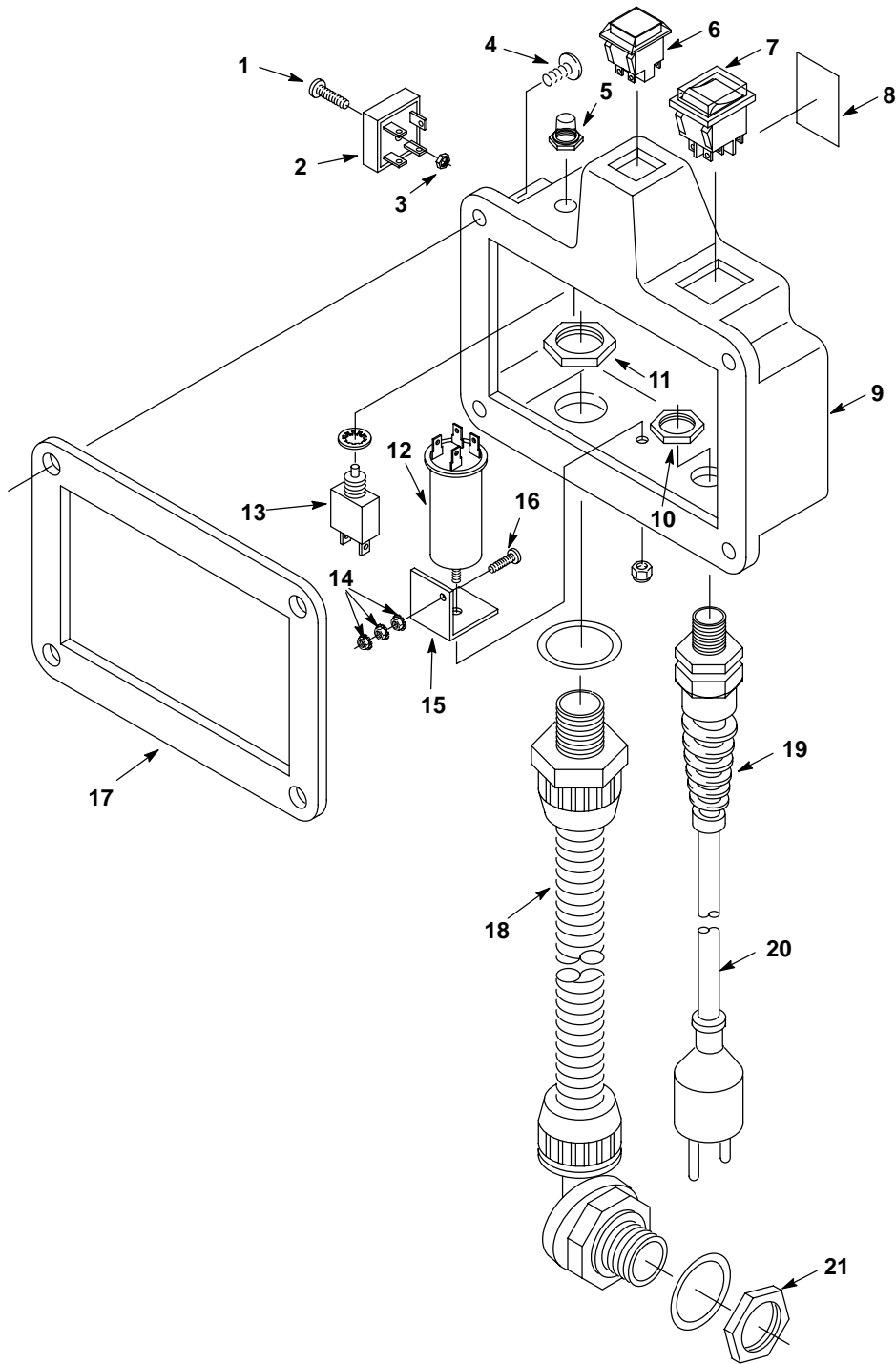
CONTROL CONSOLE GROUP

REF	PART #	DESCRIPTION	QTY.
1	140879	SCREW, 6-32X3/4	1
2	130304	RECTIFIER, BRIDGE 600V	1
3	140534	NUT, 6-32	1
4	140885	SCREW, 1/4-20X1/2	4
5	130441	SWITCH, BRUSH/SPRAY, 120V	1
	130716	SWITCH, BRUSH/SPRAY, 230V/240V	1
	130765	BOOT, SWITCH	1
6	130717	SWITCH, ROCKER, 120V	1
	130764	SWITCH, ROCKER, 230V/240V	1
7	603829	DECAL, ON/OFF	1
	608537	ASM, SWITCHBOX, GREEN 120V	1
9	578337000	BREAKER, CIRCUIT 1.5AMP(120V)	2
	130747	BREAKER, CIRCUIT 1.2AMP (230V/240V)	1

REF	PART #	DESCRIPTION	QTY.
10	130670	BREAKER, CIRCUIT 12AMP(120V)	1
11	140549	NUT, 3/8 CONDUIT	1
12	140504	NUT, CONDUIT LOCK 1/2"	1
13	603041	GASKET, SWITCH BOX	1
14	130977	HARNESS, WIRING	1
15	130166	GRIP, CORD, 120V	1
	130137	GRIP, CORD, 230V/240V	1
16	130237	CORD, POWER 120V, 16/3 18 INCH	1
	130662	CORD, POWER 230V/240V, 18/3 24 INCH	1
17	140638	NUT, CONDUIT 1/2 NPT	1
18	130005	TERMINAL STRIP 230V/240V	1

PARTS LIST

CONTROL CONSOLE GROUP (240V EMC MODEL)

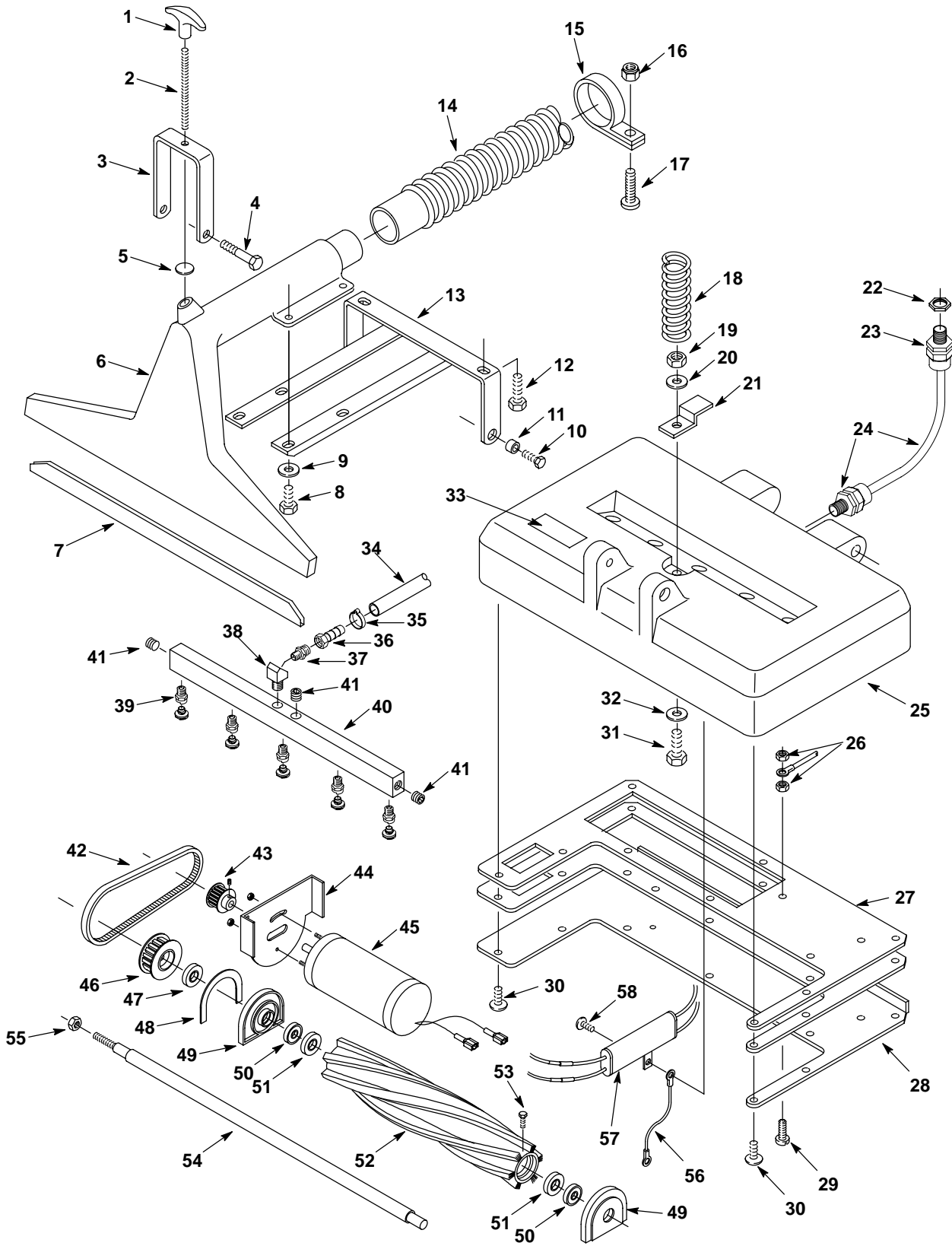


CONTROL CONSOLE GROUP (240V EMC MODEL)

REF	PART #	DESCRIPTION	QTY.
1	140879	SCREW, 6-32X3/4	1
2	130304	RECTIFIER, BRIDGE 600V	1
3	140534	NUT, 6-32	1
4	140885	SCREW, 1/4-20X1/2	4
5	130761	BOOT, CIRCUIT BREAKER	1
6	603410	SWITCH, BRUSH/SPRAY, 240V	1
	130765	BOOT, SWITCH	1
7	130764	SWITCH, VAC/PUMP	1
8	603829	DECAL, ON/OFF	1
9	608537	ASM, SWITCHBOX, GREEN 120V	1
10	140549	NUT, 3/8 CONDUIT	1

REF	PART #	DESCRIPTION	QTY.
11	140504	NUT, CONDUIT LOCK 1/2"	1
12	600383	FILTER, RFI	1
13	130747	BREAKER, CIRCUIT 1.2AMP	1
14	140519	NUT, KEP	3
15	603957	BRACKET, RFI FILTER	1
16	140823	SCREW	1
17	603041	GASKET, SWITCH BOX	1
18	130977	HARNESS, WIRING	1
19	130137	GRIP, CORD, 230V	1
20	600398	CORD, POWER 230V, 12M	1
21	140638	NUT, CONDUIT 1/2 NPT	1

BRUSH GROUP



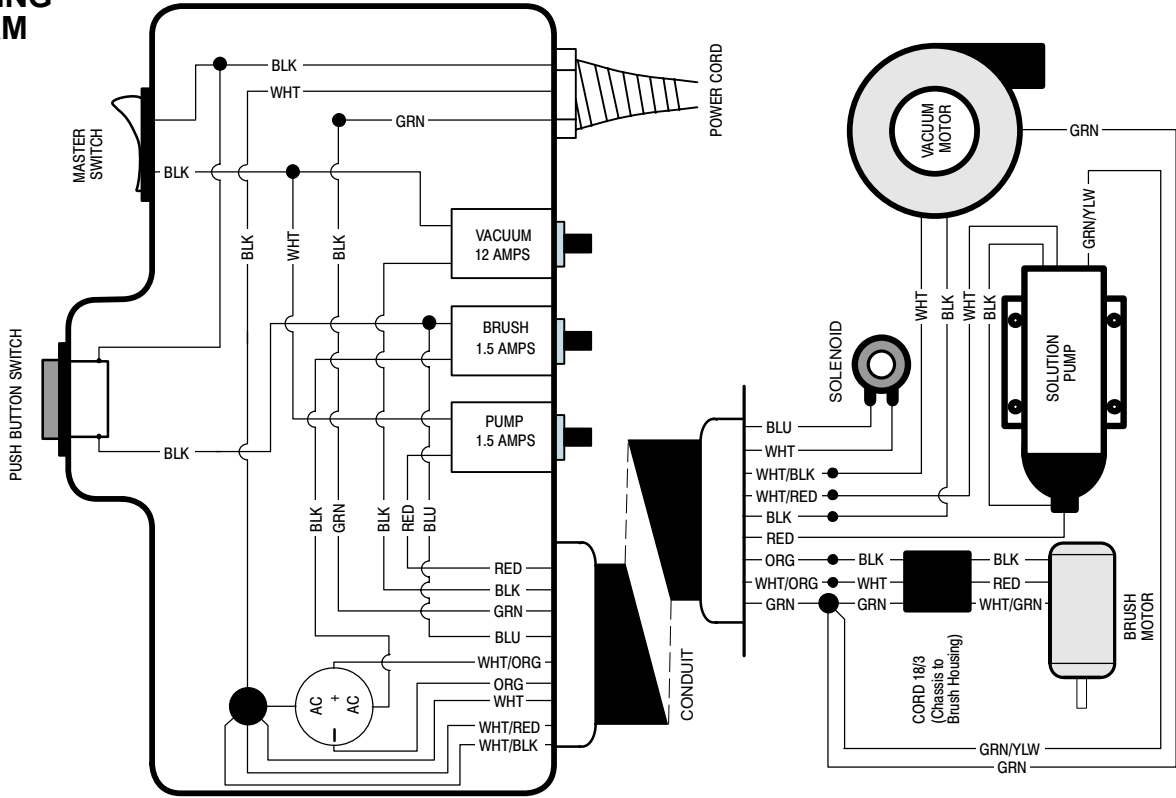
BRUSH GROUP

REF	PART #	DESCRIPTION	QTY.
1	240194	KNOB, HEIGHT ADJ.	1
2	230258	STUD, THREADED	1
3	230461.BK	BRACKET, HEIGHT ADJ., BLACK	1
4	140564	SCREW, SHOULDER, 3/8X3/4	2
5	140919	SPACER	1
6	230706.BK	TOOL, PICK UP, BLACK (1016)	1
	230840.BK	TOOL, PICK UP, BLACK (1020)	1
7	200956	SHOE (1016)	2
	200825	SHOE (1020)	2
8	140219	SCREW, 5/16-18X1	4
9	140015	WASHER, 5/16 SPLTLCK	6
10	140898	SCREW, 3/8-16X3/4	2
11	140914	SPACER	2
12	140226	SCREW, 5/16-18X5/8	2
13	230459.BK	BRACKET, BRUSH MTNG.	1
14	160464	HOSE W/CUFFS	1
15	140327	CLAMP, 1-1/2" DIA. NYLON	1
16	140552	NUT, 10-24 NYLOCK	1
17	140804	SCREW, 10-24X1	1
18	140441	SPRING	1
19	140515	NUT, 3/8-16 NYLOCK	1
20	140036	WASHER, FLAT 3/8	2
21	230264.BK	CLAMP, SPRAY BAR	1
22	140504	NUT, CONDUIT LOCK 1/2"	1
23	130181	GRIP, CORD	1
24	130662	CORD, 24"	1
25	100818	HOUSING, BRUSH, BLACK (1016)	1
	604494	HOUSING, BRUSH, BLACK (1020)	1
26	140519	NUT, 10-24 KEP	2
27	100006	GASKET, PLATE (1016)	2
	100005	GASKET, PLATE (1020)	2
28	100734.BK	PLATE, BASE (1016)	1
	230367.BK	PLATE, BASE (1020)	1

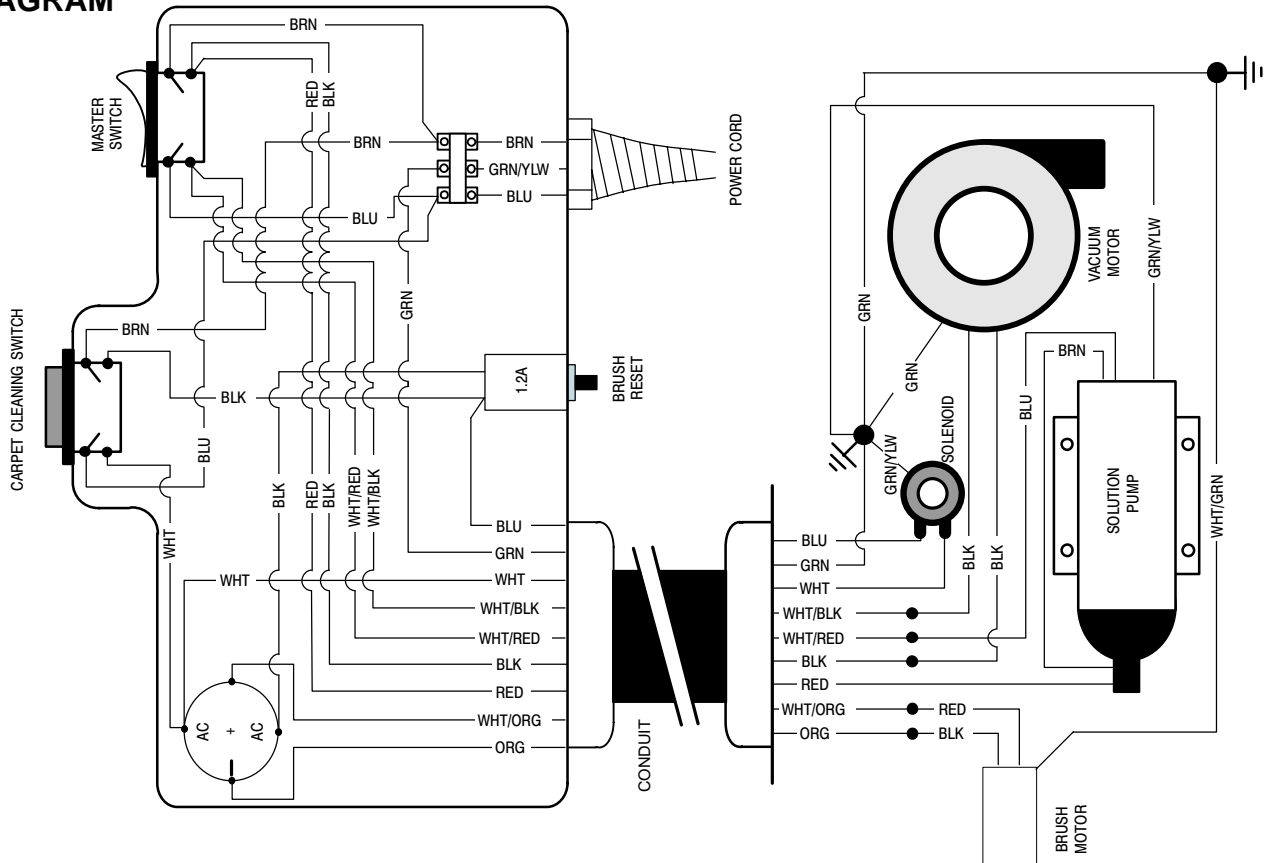
REF	PART #	DESCRIPTION	QTY.
29	140890	SCREW, 10-24X1/2	1
30	140887	SCREW, 10-24X3/8	12
31	140233	SCREW, 3/8-16X1-3/4	1
32	140036	WASHER, FLAT 3/8	1
33	120617	DECAL, HEIGHT ADJ.	1
34	606244	HOSE, 1/4"X15" LP	1
35	140325	CLAMP, EAR	1
36	150523	FITTING, BARB 1/8FX1/4H	1
37	150616	ADAPTER	1
38	150422	FITTING, 1/8MX1/8F STRT 45	1
39	201011	NOZZLE, BRASS (1016)	4
	201011	NOZZLE, BRASS (1020)	5
40	230267	SPRAY BAR (1016)	1
	230379	SPRAY BAR (1020)	1
41	150208	PLUG, SOCKET BRASS	3
42	230507	BELT, BRUSH DRIVE	1
43	230506	PULLEY, MOTOR	1
44	230366	BRACKET, MOTOR	1
45	130471	MOTOR, BRUSH 120V	1
	130472	MOTOR, BRUSH 230V/240V	1
46	230505	PULLEY, BRUSH	1
47	230363	SPACER	1
48	100005	GASKET, BEARING BLOCK	1
230261 49	230304	BLOCK, BEARING	2
50	140125	BEARING, BRUSH	2
51	100049	SEAL, BRUSH	2
52	240004	BRUSH (1016)	1
	240050	BRUSH (1020)	1
53	140554	SCREW, 1/4-20X3/4	4
54	230257	SHAFT, BRUSH (1016)	1
	230362	SHAFT, BRUSH (1020)	1
55	140548	NUT, 5/16 FINJAM	1
56	573060000	STRAIN RELIEF (EMC MODEL)	1
57	601280	ASM., FILTER (EMC MODEL)	1
58	140340	SCREW (EMC MODEL)	1

ELECTRICAL DIAGRAMS

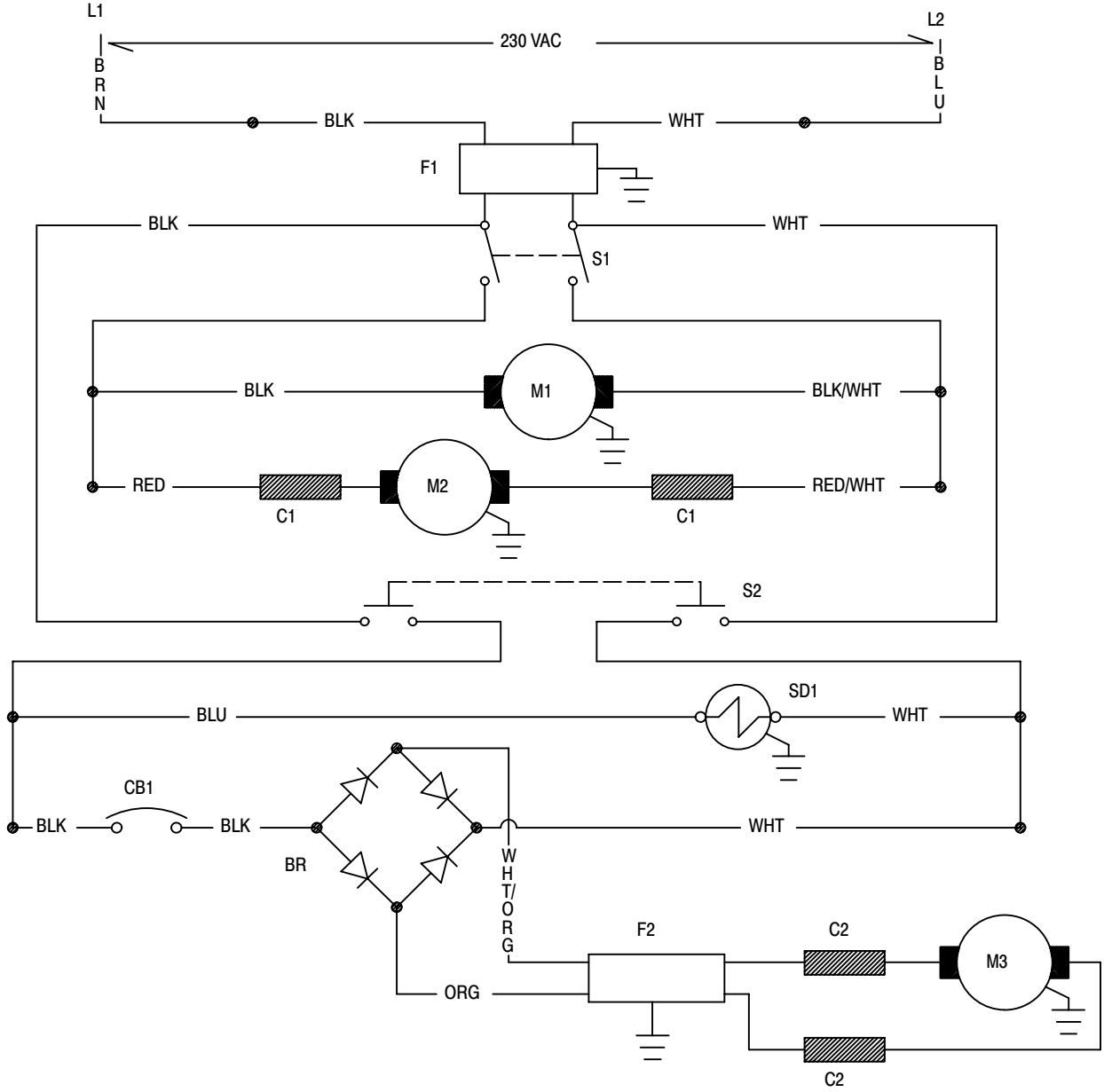
120V WIRING DIAGRAM



230V WIRING DIAGRAM



240V EMC LADDER DIAGRAM

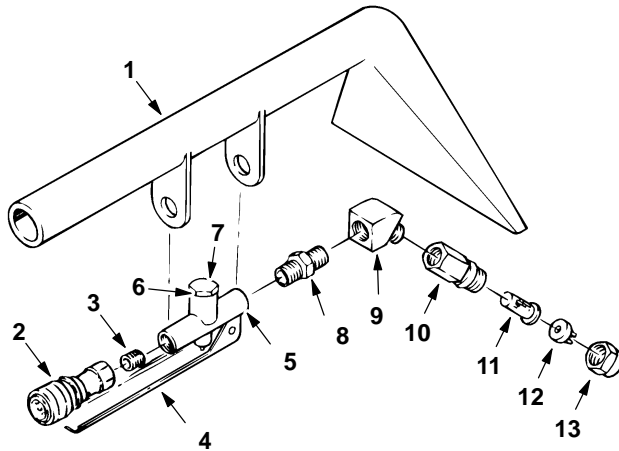


REF LEGEND

- RED= Red
- BLK= Black
- WHT= White
- ORG= Orange
- BLU= Blue
- BRN= Brown
- S1= Switch, Vac
- S2= Switch, Brush
- M1= Motor, Vacuum
- M2= Pump
- M3= Motor, Brush
- SD1= Valve, Solenoid
- CB1 = Circuit Breaker
- F 1= Filter, RFI
- F 2= Brush Filter, RFI
- BR= Bridge Rectifier
- C1= Choke, RFI
- C2= Choke, RFI

OPTIONS

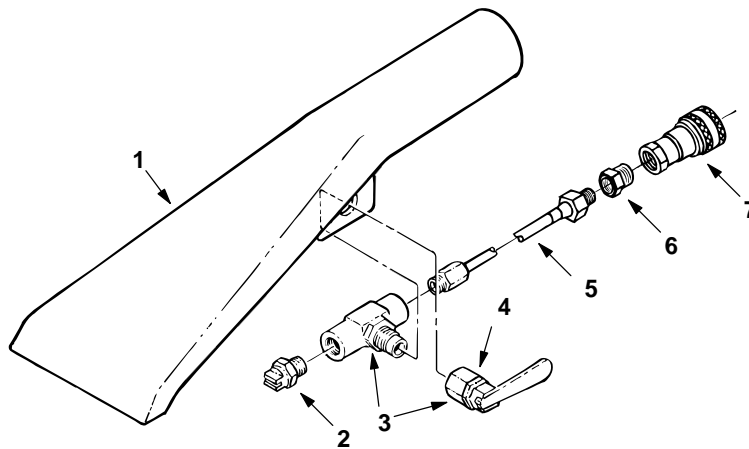
127mm (5 in) HAND TOOL



REF	PART #	DESCRIPTION	QTY.
	200505	TOOL, HAND (COMPLETE)	1
1	200431.BK	TOOL, HAND	1
2	150913	COUPLER, QUICK	1
3	150615	NIPPLE, CLOSE	1
4	200905	TRIGGER, HAND TOOL	1
5	210210	VALVE, FLOW CONTROL	1
6	190600	PIN & SPRING, VALVE	1

REF	PART #	DESCRIPTION	QTY.
7	N/A	CAP, VALVE	1
8	150606	NIPPLE, HEX 1/4	1
9	150403	ELBOW, ST 1/4 45°	1
10	200992	BODY, SPRAY 1/4F	1
11	200996	SCREEN, SPRAY NOZZLE	1
12	200965	TIP, SPRAY #8002	1
13	200994	CAP, SPRAY BODY	1

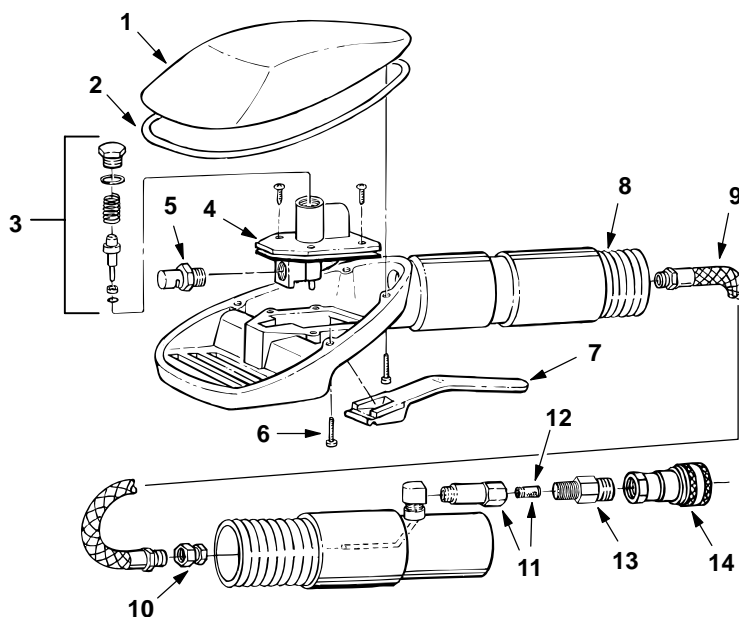
CREVICE TOOL



REF	PART #	DESCRIPTION	QTY.
	200517	TOOL, CREVICE (COMPLETE)	1
1	200436.BK	TOOL	1
2	200975	NOZZLE	1
3	210014	VALVE, TOGGLE	1
4	210020	CAP, VALVE POSITIONER	1

REF	PART #	DESCRIPTION	QTY.
5	160106	HOSE, ASM.	1
6	150100	FITTING, 1/4MX1/8F	1
7	150913	COUPLER	1

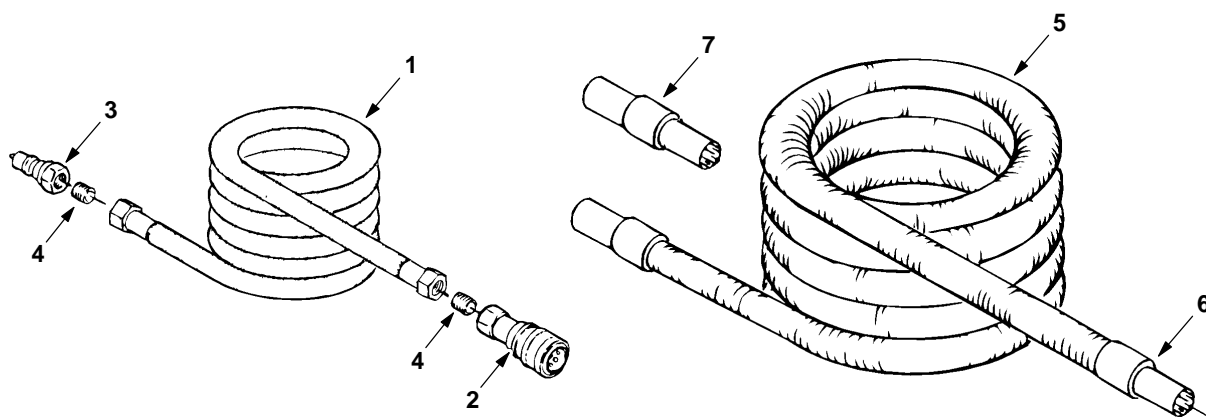
UPHOLSTERY TOOL



REF	PART #	DESCRIPTION	QTY.
	200540	TOOL, UPHOL. (COMPLETE)	1
1	200845	COVER	1
2	200843	GASKET	1
3	190631	KIT, VALVE ASM.	1
4	210226	VALVE, LP	1
5	200991	NOZZLE	1
6	200838	SCREW	4
7	200840	TRIGGER	1

REF	PART #	DESCRIPTION	QTY.
8	200844	HOSE, VACUUM	1
9	200837	HOSE, SOLUTION	1
10	200848	FITTING	1
11	200842	FILTER	1
12	200841	SCREEN, FILTER	1
13	150606	FITTING, 1/4MX1/4M	1
14	150913	COUPLER	1

SOLUTION AND VACUUM HOSES

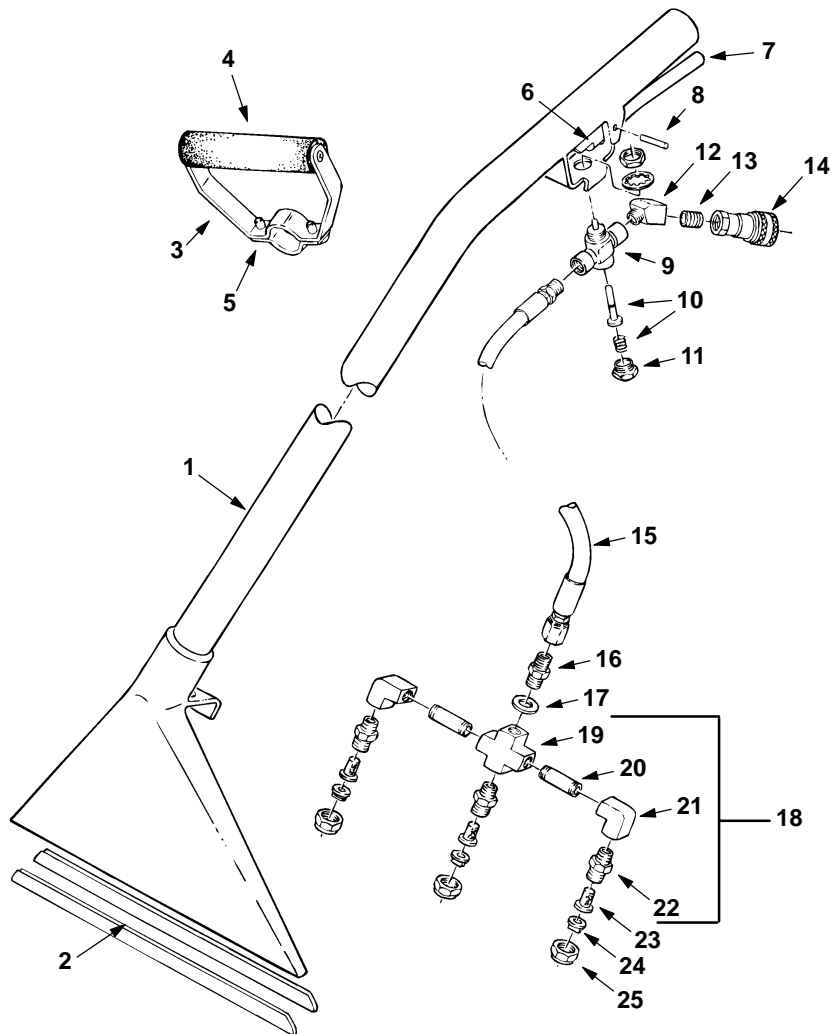


REF	PART #	DESCRIPTION	QTY.
▽1	160185	HOSE, SOLUTION 15'	1
▲2	150913	COUPLER, QUICK	1
▲3	150933	PLUG, QUICK COUPLER	1
▲4	150615	NIPPLE	2

REF	PART #	DESCRIPTION	QTY.
▽5	160400	HOSE, VACUUM 15'	1
▲6	160430	CUFF, HOSE 1-1/2"	2
7	160451	CONNECTOR, VAC HOSE	1

▽ ASSEMBLY
▲ INCLUDED IN ASSEMBLY

330mm (13 in) FLOOR TOOL



REF	PART #	DESCRIPTION	QTY.
1	600048	FLOOR TOOL (COMPLETE)	1
1	200403.BK	TOOL, FLOOR	1
2	200939	SHOES, S/S	2
∇3	200927	ASM., GRIP, ADJ.	1
▲4	200912	FOAM, GRIP	1
▲5	140259	SCREW, 1/4X3/4	2
6	200902	TRIGGER	1
7	200809	SLEEVE, TRIGGER	1
8	140605	PIN	1
8	140520	NUT, PUSH (NOT SHOWN)	2
9	210150	VALVE, FLOW CONTROL	1
10	190603	KIT, VALVE PIN & SPRING	1
11	N/A	CAP, HEX, VALVE	1
12	150403	ELBOW, 1/4-45°	1
13	150615	NIPPLE, CLOSE 1/4	1

REF	PART #	DESCRIPTION	QTY.
14	150913	COUPLER, QUICK	1
15	160170	HOSE, SOLUTION, LP	1
16	150606	NIPPLE, HEX 1/4"	1
17	140058	WASHER	1
∇18	700062	ASM., SPRAY BAR	1
▲19	150700	CROSS, FITTING	1
▲20	150600	NIPPLE	2
▲21	150401	ELBOW, 90° 1/4FX1/4F	2
▲22	200993	SPRAY BODY	3
23	200996	SCREEN, SPRAY BODY	3
24	200964	TIP	3
25	200994	CAP, SPRAY BODY	3

∇ ASSEMBLY

▲ INCLUDED IN ASSEMBLY