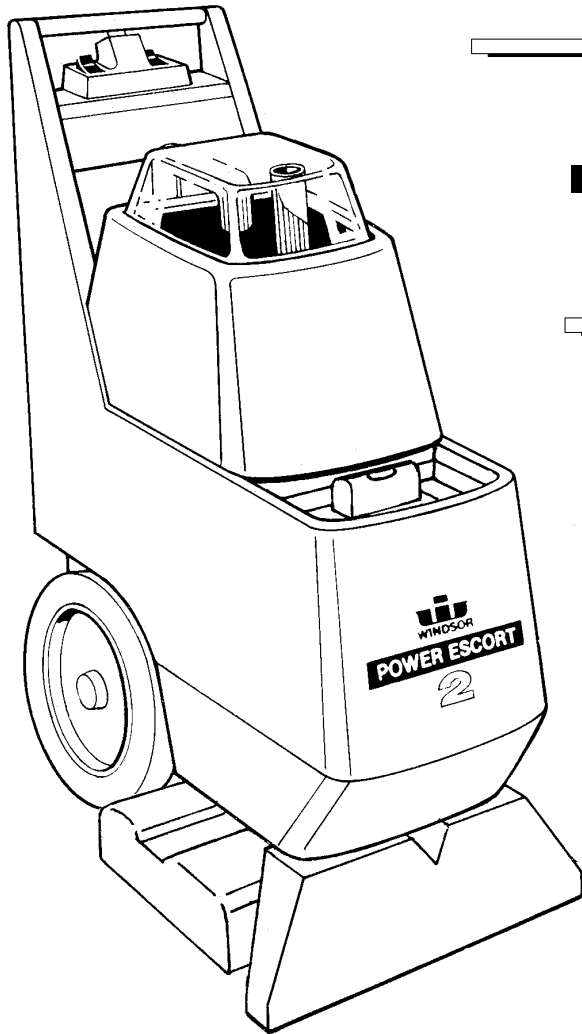




POWER ESCORTTM CARPET EXTRACTOR

Owners Guide



■ OPERATION

■ SERVICE

■ CARE

MODELS: EPB2, EPB2-J

QUEST[®] . . . for Continuous Improvement.
Windsor's Quality Management System is Certified ISO 9001.

REV.

A

98255 9/15/97

CONTENTS:

- 2 *Safety Instructions*
- 3 *Grounding Instructions*
- 4 *Operating the Extractor*
- 5 *Operations and Maintenance*
- 6 *Service*
- 7 *Chassis assembly*
- 8 *Brush Housing and Drive Assembly*
- 10 *Tank Assembly*
- 12 *Wiring Diagrams*
- 13 *Notes*
- 14 *Warranty*



INDUSTRIES, INC., 1351 W. Stanford Ave., Englewood CO 80110 USA *303-762-1800*FAX 303-762-0817

IMPORTANT SAFETY INSTRUCTIONS

When using an electrical appliance, basic precaution must always be followed, including the following:

READ ALL INSTRUCTIONS BEFORE USING THIS MACHINE.

This machine is for commercial use.



WARNING: To reduce the risk of fire, electric shock, or injury:

1. **Do not** operate without filters (dry or wet) in place.
2. **Use** only as described in this manual. Use only manufacturer's recommended attachments.
3. **Use** indoors only. **Do not** use outdoors and do not expose to rain.
4. Machine can cause a fire when operating near flammable vapors or materials. **Do not** operate this machine near flammable fluids, dust or vapors.
5. **Do not** pick up flammable fluids, dust or vapors.
6. **Do not** vacuum anything that is burning or smoking, such as cigarettes, matches, or hot ashes.
7. **Do not** handle the plug or machine with wet hands.
8. **Do not** leave the machine unattended. Unplug machine from outlet when in use and before servicing.
9. **Do not** leave the machine unattended. Unplug machine from outlet when not in use and before servicing.
10. **Do not** unplug machine by pulling on cord. To unplug, grasp the plug, not the cord.
11. **Do not** use with damaged cord or plug. Follow all instructions in this manual concerning grounding the machine.
12. If the machine is **not working properly**, has been dropped, damaged, left outdoors, or cropped into water, return it to an Authorized service center.
13. **Do not** pull or carry by cord, use cord as a handle, close a door on cord, or pull cord around sharp edges or corners.
14. **Do not** pull/run machine over cord. **Keep** cord away from heated surfaces.
15. **Do not** allow to be used as a toy. **Close attention** is necessary when used by or near children.
16. **Do not** operate machine with any openings blocked. Keep openings free of debris that may reduce airflow.
17. **Keep** hair, loose clothing, fingers, and all parts of the body away from openings and moving parts.
18. **Use** extra caution when cleaning on stairs.
19. **Do not** use machine as a step.
20. Connect to a **properly** grounded outlet. See Grounding Instructions.
21. **Maintenance and repairs must be done by qualified personnel.**
22. Rotating fan blades inside the cover. Before opening cover, switch off machine. Wait until the fan/brush stops completely or dust and debris may be ejected.

SAVE THESE INSTRUCTIONS

INSPECTION

Carefully unpack and inspect your extractor for shipping damage. Each unit is operated and thoroughly inspected before shipping, and any damage is the responsibility of the carrier, who should be notified immediately.

ELECTRICAL

This extractor operates on a standard 15 amp 115 volt AC circuit. *Voltages below 105 volts or above 125 volts could cause serious damage to motors.

*Special voltage models available.

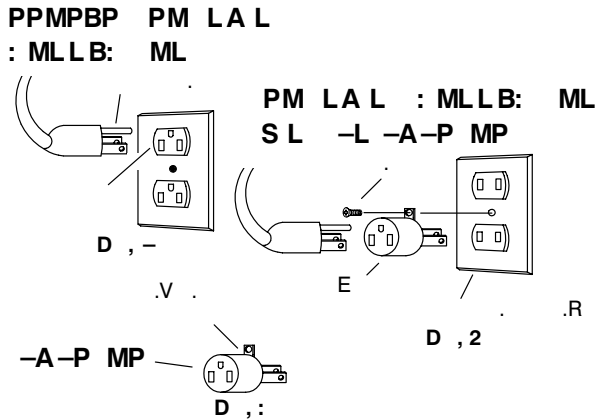
WARNING: To avoid electric shock:

1. Use indoors only.
2. To reduce risk of fire, do not use volatile substances.
3. Use only cleaners intended for carpet application.

GROUNDING INSTRUCTIONS:

This appliance must be grounded. If it should malfunction or break down, grounding provides a path of least resistance for electric current to reduce the risk of electric shock. This appliance is equipped with a cord having an equipment-grounding conductor and grounding plug. The plug must be inserted into an appropriate outlet that is properly installed and grounded in accordance with all local codes and ordinances.

This appliance is for use on a nominal 120-volt circuit, and has a grounded plug that looks like the plug in "Fig. A". A temporary adaptor that looks like the adaptor in "Fig. C" may be used to connect this plug to a 2-pole receptacle as shown in "Fig. B", if a properly grounded outlet is not available. The temporary adaptor should be used only until a properly grounded outlet (Fig. A) can be installed by a qualified electrician. The green colored rigid ear, lug, or the like extending from the adaptor must be connected to a permanent ground such as a properly grounded outlet box cover. Whenever the adaptor is used, it must be held in place by a metal screw.



NOTE: In Canada, the use of a temporary adaptor is not permitted by the Canadian Electrical Code

NOTE: Au Canada, l'utilisation d'un adaptateur temporaire n'est pas autorisée par le Code canadien de l'électricité.

EXTENSION CORDS

If an extension cord is used, the wire size must be at least one size larger than the power cord on the machine: The POWER ESCORT is equipped with a 50 ft. 114/3 power cord. **Do not exceed the 50 ft. cord limit.**

WARNING:

Improper connection of the equipment-grounding conductor can result in a risk of electric shock. Check with a qualified electrician or service person if you are in doubt as to whether the outlet is properly grounded. Do not modify the plug provided with the appliance – if it will not fit the outlet, have a proper outlet installed by a qualified electrician.

CAUTION:

To avoid possible distortion of polyethylene solution/recovery tanks, **DO NOT USE WATER TEMPERATURE THAT EXCEEDS 140° F (60° C).**

NOTE: Make sure dome is seated correctly to ensure proper vacuum seal.

CAUTION:

Use only the suitable chemicals listed below. Using incompatible chemicals will damage the machine. Damages of this type are not covered under the 6-3-1 warranty. Carefully read ingredients on manufacturer's label before using any product in this machine.

SUITABLE CHEMICALS

- Alkalis
- Clorox II Bleach*
- Defoaming Agents
- Detergents
- Hydroxides
- Oxygen Bleaches
- Soaps
- Sta-Puf Fabric Softener*
- Vinegar
- White Monday Bleach*

INCOMPATIBLE CHEMICALS

- Aldehydes
- Aromatic Hydrocarbons
- Butyls
- Carbon Tetrachloride
- Clorox*
- Chlorinated Bleaches
- Chlorinated Hydrocarbons
- D-Limonene**
- Lysol*
- Methyls (MEK)
- Perchloroethylene(perc)
- Phenols
- Trichloroethylene

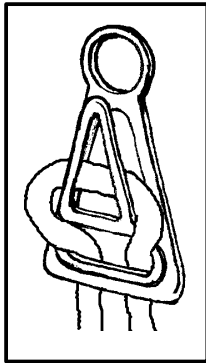
* Registered Trademark

EQUIPMENT SETUP

NOTE: Vacuum the carpet and make sure it is cleared of surface debris before cleaning with the POWER ESCORT.

NOTE: Attach strain relief/cord retainer to the power cord.

1. Make a loop in power cord approximately 12" from twist lock receptacle end.
2. Slide cord loop through slot in retainer arm. Pull slack cord back through slot to secure. Attach retainer to handle.
3. Plug power cable from machine into properly grounded wall outlet.



4. Using a clean container, fill solution tank with hot water.

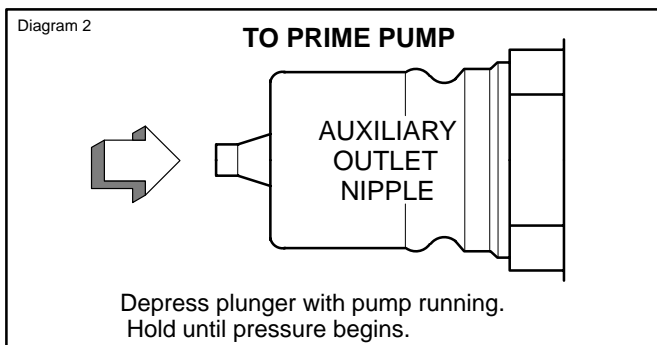
CAUTION: To avoid possible distortion of polyethylene solution recovery tanks, DO NOT USE WATER TEMPERATURE THAT EXCEEDS 150°F (65 °C). The maximum capacity of the POWER ESCORT is 7 gallons. Mix in a non foaming cleaning concentrate for use in hot water extraction machines at the proportions noted on the container for various carpet soil conditions.

NOTE: When using a powder cleaner, premix with hot water in clean container before adding to solution tank.

OPERATING THE ESCORT

NOTE: Vacuum the carpet and make sure it is cleared of surface debris before starting the cleaning process.

NOTE: Pump Priming: If the machine has been in storage or the pump runs dry – air entrapment within the solution line can occur. This is alleviated by depressing the tip of the auxiliary nipple momentarily while the pump is running.



1. Dispense solution by using either the continuous flow switch for cleaning smaller more confined areas. Switch on power brush, depress pedal to **Lower** brush head assembly. Walking backwards move the machine over the area to be cleaned. Turn solution off about 8 inches before the end of each pass to insure all solution is removed from the carpet. When through cleaning depress pedal to **Raise** brush head assembly. Switch off vac and brush switches.

WARNING: Do not leave power brush running when machine is not in cleaning mode. Damage to carpet could occur.

2. As you work, check to see if there is a foam buildup in the recovery tank. If there is a foam buildup, turn the machine off and add the recommended amount of a defoaming solution to the recovery tank.

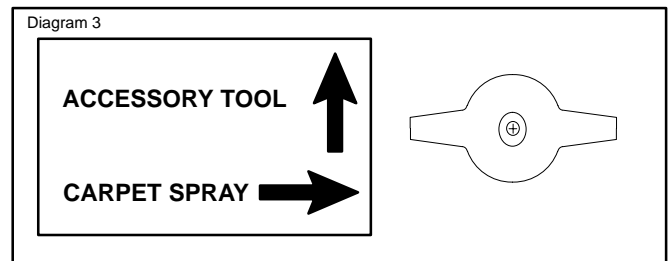
NOTE: Never put defoamer in the solution tank.

WARNING: An overflow of foam into the vacuum intake can damage the vac motor. Always be aware of the waste water level in the recovery tank. When the tank is about three quarters full, turn off the machine, remove drain hose from keeper and empty dirty water into bucket or floor drain.

3. When machine runs out of cleaning solution, turn off the machine and refill the solution tank. Turn machine on and continue cleaning process.

OPERATING THE POWER ESCORT WITH ACCESSORY TOOLS

The **POWER ESCORT** is easily adapted for use with the following **WINDSOR** accessory tools; DHT-UPH3-SW-SFW-SW/PRO



NOTE: Turn machine off before connecting any accessory tools.

1. Turn solution control valve from "Carpet Spray" to accessory tool. (See Diagram 3.)
2. Remove recovery hose from dome and insert vacuum hose for accessory tool in its place.
3. Attach solution hose from accessory tool to solution outlet nipple on back panel of machine.
4. Make sure that sufficient amount of cleaning solution is in solution tank and that the dome is in place and ready for operation.
5. Turn on vacuum and continuous pump switches.

CAUTION: Do not switch on power brush when using **POWER ESCORT** with accessory tools.

NOTE: Make sure the solution control valve is returned to the "Carpet Spray" position before using **POWER ESCORT** for carpet cleaning.

DAILY/REGULAR MAINTENANCE

WARNING: Before making any adjustments or repairs to the machine, disconnect the power cord from electrical source.

1. Empty unused cleaning solution from solution tank.
2. Inspect and clean filter screen in solution tank.
3. Flush pumping system with 1 to 2 gallons of clean hot water.
4. After each use, rinse tank with fresh water. Periodically inspect the recovery tank and decontaminate if necessary, using a Hospital Grade Virucide or a 1-10 bleach to water solution. Waste water should be disposed of properly.
5. Check spray jets daily for full spray pattern.
6. Check for and remove any debris or lint buildup from vac shoe.
7. On power brush models remove lint and dirt buildup from brush and housing.

PERIODIC MAINTENANCE

Twice a month, flush a white vinegar solution (One quart vinegar to two gallons of water) or anti-browning solution (mixed as directed) through the POWER ESCORT This will prevent build-up of alkaline residue in the system.

If spray jets become clogged, remove the spray tips, wash them thoroughly, and blow dry.

NOTE: Do not use pins, wire, etc. to clean nozzles as this could destroy spray pattern.

Apply silicone lubricant to solution nipple.

Periodically inspect all hoses, electrical cables, filters and connections on your machine. Frayed or cracked hoses should be repaired or replaced to eliminate vacuum or solution pressure loss. Because the electrical cable must be well insulated and cable connector screws kept tight, If the cable insulation is broken or frayed, repair or replace it immediately. Don't take chances with electrical fire or shock.

PROTECT FROM FREEZING

If it becomes necessary to store in temperatures that could drop below 40 F, the pumping system, hoses and valves must be protected from freezing with a methyl hydrate window washer antifreeze solution. Do **not** use ethylene glycol or cooling system antifreezes.

1. Add a gallon or two of window washer antifreeze to the supply tank, turn on pump switch and spray until the antifreeze solution fills the solution lines.

MAINTENANCE INSTRUCTIONS FOR POWER ESCORT

WARNING: Remove machine power cord from electrical source before making any adjustments or repairs to the machine. Only qualified maintenance personnel are to perform repairs.

NOTE: In the following instructions all letter designations, IE: 1 will be shown in the upcoming graphical examples in this guide.

TO ACCESS VAC MOTOR/ PUMP ASSEMBLY

Remove solution from both tanks.

1. **SOLUTION TANK:** Attach the 4 ft. vac hose, supplied with machine, to dome. Switch on vac motor and vacuum unused solution into recovery tank.
2. **RECOVERY TANK:** Remove drain hose from keeper and empty solution into bucket or floor drain.

VACUUM MOTOR

1. Remove (2) tank mounting bolts from rear chassis panel. 1
2. Lift up recovery tank to access vac exhaust hose. Disconnect hose from vac motor, motor wire leads and remove tank/vac motor. 2

3. To inspect motor brushes, remove brush holder assembly. Brushes should be replaced when worn to 3/8 inch or after about 250 operating hours. After second brush replacement the armature commutator should be checked for pitting and concentricity. Vac motors can be repaired but such repairs should be made by a qualified motor repair shop.

VAC SHOE

1. Tilt machine back to rest on handle.
 2. Remove (3) bolts holding shoe to tank. 3
(3rd bolt located at motor mounting plate.)
- NOTE:** When reinstalling a new vac shoe, proper alignment of shoe to floor must be made.

1. Install vac shoe and tighten screws.
2. Set machine upright on a **flat-level** surface and check vac shoe for level contact on the flat surface.
3. Make adjustment at axle leveling screws by tightening/loosening both of the lock nuts until shoe is level.

TRANSPORT WHEELS

1. Remove screw and hub cap 4 and slide wheel off axle.. Before reinstalling wheel, clean axle and apply light coating of silicone lubricant.

BRUSH ASSEMBLY / BEARING

1. Remove belt guard and "ROLL" belt off motor pulley.
2. Remove screw from each end of brush shaft and remove brush assembly from housing. Replace brush or bearings as required.

SWITCH CONTROL PANEL

1. Remove (2) screws holding switch housing to handle. 5
2. Replace switches as required.

CAUTION: When replacing switches, make sure wire leads are connected to proper terminals. Refer to wiring diagram located on back panel (or owners guide) for assistance.

PUMP ASSEMBLY

POWER HEAD REMOVAL

2. Tilt machine back to rest on handle.
3. Remove cable from lift bracket. 6
Remove (2) pivot bolts. 7
4. Disconnect solution hose from elbow.
5. Remove (4) bolts holding pump/plate assembly to tank. 8
6. Lift out pump & plate assembly. Disconnect hoses from pump and pump lead wires from junction box.
7. Refer to pump parts list for replacement parts.

CAUTION: When replacing electrical parts refer to the machine wiring diagram for proper connections.

CAUTION: When replacing hosebars on pump head— **DO**

NOT OVER TIGHTEN — as this could crack intake and discharge ports in pump head.

SOLENOID VALVE

If the machine continues to drip solution from the manifold after pump is switched off check for: (A) Alkaline buildup in solution lines (B) Lint or debris lodged in the solenoid valve.

1. Remove (2) Tank mounting bolts **1** from chassis panel. Remove recovery tank/vac motor assembly.
2. Remove left wheel to access valve retaining screws.
3. Remove in line solenoid valve: **11**
Clean, repair or replace as required.

NOTE: The solenoid valve can be disassembled for cleaning when positive shut-off is interrupted and valve leaks through tee jets.

4. Remove hex nut at top of valve and lift off coil assembly.
5. Use spanner wrench or small punch and hammer to remove plunger body. Remove lint and soap residue from plunger.

CAUTION: When reinstalling valve make sure arrow is pointed in the direction of solution flow.

BELT ADJUSTMENT

1. When servicing brush motor or brush assembly always check belt for proper tension. The belt should be taut to prevent it from slipping on cogged pulleys . To tighten belt, loosen motor mounting nuts and rotate motor rearward just enough to tighten belt.

VAC MOTOR EXHAUST FILTER

1. Remove (2) bolts holding chassis to tank. **1**
2. Tilt machine back to rest on handle.
3. Remove hex nut from PVC muffler. **9**
Repair or replace as needed.

POWER HEAD LIFT CABLE

1. Remove recovery tank/vac motor assembly. **1**
2. Tilt machine back to rest on handle. Remove bolt holding cable to lift bracket and (2) power head pivot bolts. **7** **6**
3. Remove guide pulley bracket assembly and remove from pulley.
4. Remove pedal and bracket assembly (4) screws. Replace cable as required. Reinstall pedal assembly and power head assembly. **To adjust cable:** Depress cable so that power head almost touches vac shoe housing. Raise and lower power head with pedals to make sure that the head will "Lock" in UP position when pedal is depressed.

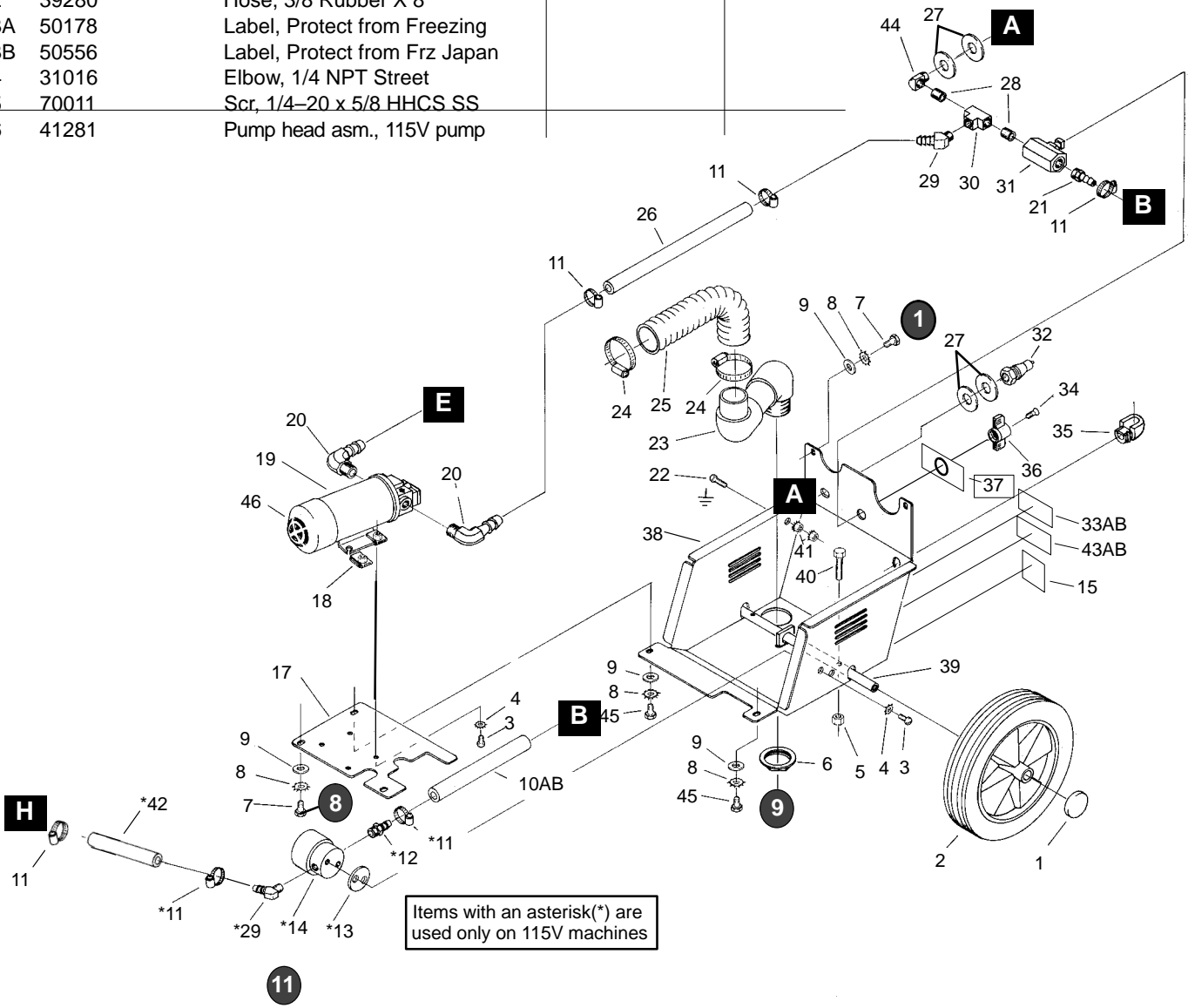
CHASSIS ASSEMBLY

Ref	Qty.	Part No.	Description	Serial No.		Notes:
				From	To	
1		41236	Hubcap, 5/8" shaft			
2		89114	Wheel, 10" dia.	544841	-	
3		70088	Screw, 10-32 x 1/2 PHMS			
4		87016	Washer, #10 Star			
5		57047	Nut, 1/4-20 Lock			
6		57039	Nut, 1.5 NPT Flange			
7		70020	Screw, 1/4-20 x 1/2 HHMS			
8		87025	Washer, 1/4 Star			
9		87013	Washer, 1/4 ID x 5/8 OD			
10A		39028	Hose, 3/8 rubber x 13"			
10B		39178	Hose, 3/8 rubber X 21.5 (Japan)			
11		20042	Clamp, 3/8 Hose (D-slot)			
12		40014	Hosebarb, 1/4MPT x 3/8			
13		73239	Spacer, Valve			
14		84003	Valve, 115V LP 2-Way Solenoind			
15		50267	Label, Raise/Lower Brush			
16		OPEN				
17		62130	Plate, Pump			
18		57081	Nut, 10-32 Captive J			
19		65129	Pump, 115V 100 PSI w/Adv.			
20		40033	Hosebarb, 1/4 MPT X 3/8 90D			
21		40014	Hosebarb, 1/4 MPT X 3/8			
22		70066	Screw, 10-32 x x 3/4 PHMS			
23		54077	Muffler, Vac Exhaust			

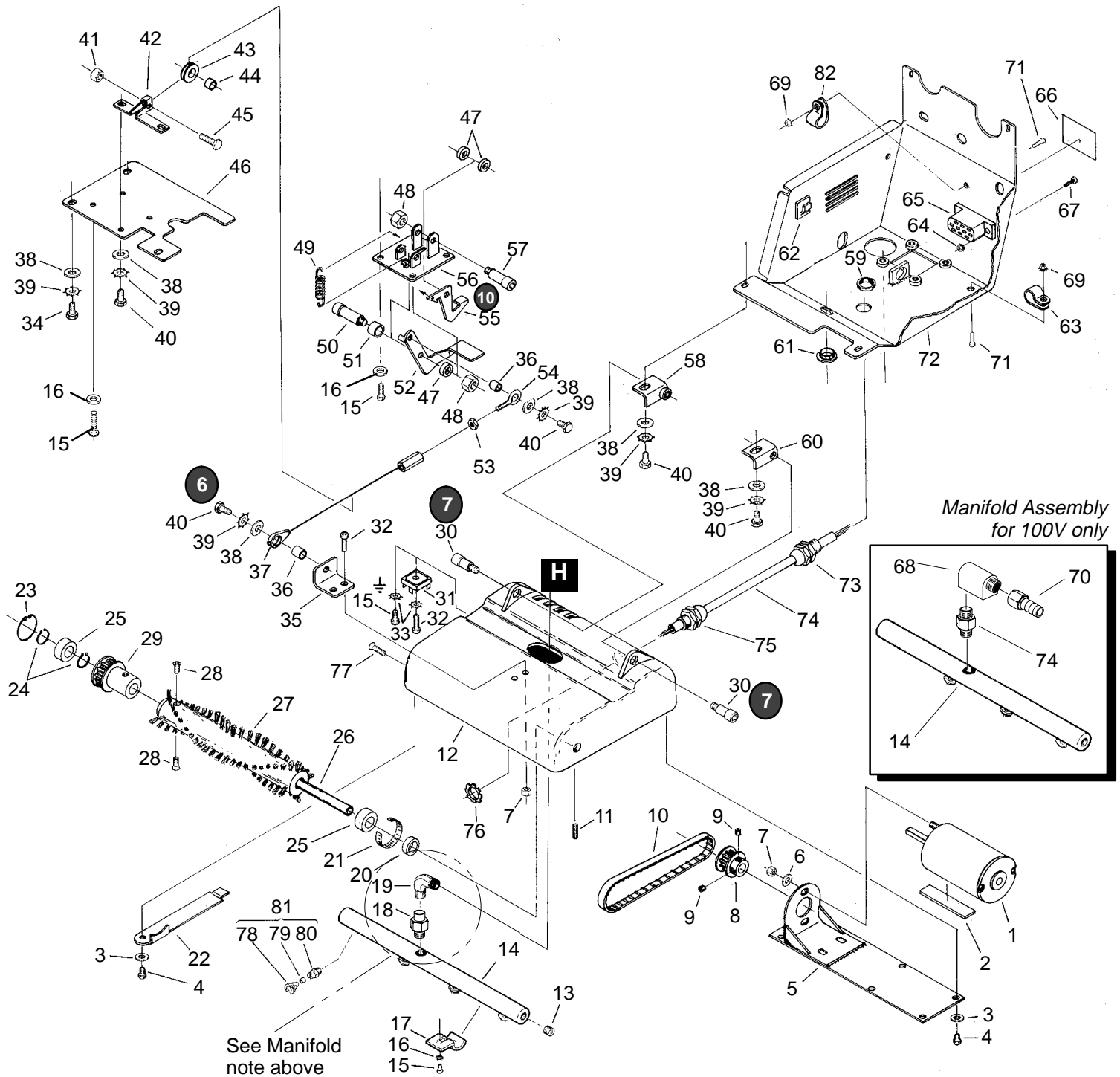


CHASSIS ASSEMBLY

Ref	Qty.	Part No.	Description	Serial No.		Notes:
				From	To	
23	54077		Muffler, Vac Exhaust			
24	20046		Clamp, 2.25" Worm Gear			
25	39247		Hose, Vac Exhaust x 19"			
26	39032		Hose, Hose, 3/8 Rubber x 15"			
27	87015		Washer, 9/16 ID x 1.06 OD			
28	56014		Nipple, 1/4 Close			
29	40038		Hosebarb, 1/4 MPT x 3/8 45D			
30	78156		Tee, 1/4 FPT			
31	84065		Valve, 1/4 FPT Ball			
32	56012		Nipple, 1/4 FPT QD			
33A	50399		Label, L1500 Warning			
33B	50577		Label, Warning/Caution – Japan			
34	70091		Screw, 10–24 x 1/2 FHMS			
35	73197		Strain Relief, 90 D			
36	48028		Knob, Yellow Ball Valve			
37	50540		Label, Valve position Symbol			
38	34128		Frame, EBP–2 Main			
39	03075		Axle, Wheel			
40	70297		Screw, 1/4–20 x 1.5 Full Thd. HHMS			
41	57104		Nut, 10–32 w/ Star Washer			
42	39280		Hose, 3/8 Rubber X 8"			
43A	50178		Label, Protect from Freezing			
43B	50556		Label, Protect from Frz Japan			
44	31016		Elbow, 1/4 NPT Street			
45	70011		Scr, 1/4–20 x 5/8 HHCS SS			
46	41281		Pump head asm., 115V pump			



POWER BRUSH ASSEMBLY

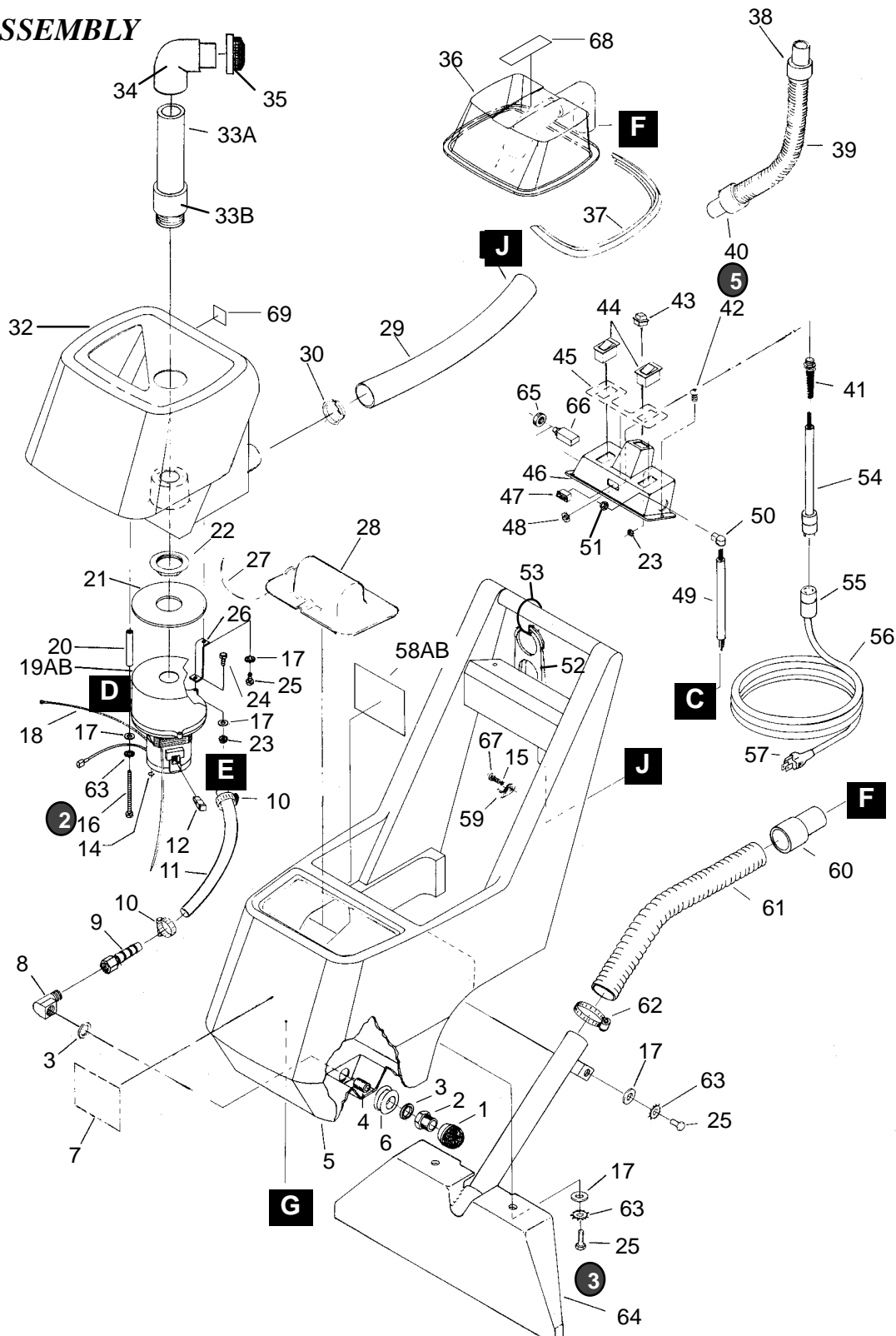


Ref	Qty.	Part No.	Description	Serial No.		Notes:
				From	To	
1		53513	Motor, 115V DC Brush Drive			
2		35071	Gasket, 1/8 x 1 x 5			
3		87014	Washer, #8 Int Star			
4		70052	Screw, 8-32 x 3/8 PHMS			
5		62225	Plate, Assembly Motor			
6		87018	Washer, #10 x 9/16 OD			
7		57030	Nut, 10-32 Nylock			
8		64035	Pulley, Motor, 3/8 Bore			
9		70084	Set Screw, 8-32 x 3/16 KCP			
10		11023	Belt, EPB2			

POWER BRUSH ASSEMBLY PARTS LIST

Ref	Qty.	Part No.	Description	Serial No.		Notes:
				From	To	
11		70118	Set Screw, 8-32 x 5/16 KCP			
12		41142	Housing, EPB2 Brush			
13		66095	Plug, 1/8 NPT			
14		54116	Manifold, EBP2 Brush			
15		70088	Screw, 10-32 x 1/2 PHMS			
16		87016	Washer, #10 Star			
17		20073	Clamp, 7/8 ID			
18		04008	Adptr, 1/4MPT X 1.4FPT BR			
19		40033	Hosebarb, 1/4 MPT x 3/8 90D			
20		73323	Seal, EPR Brush			
21		67140	Ring, Tolerance			
22		62134	Plate, Belt Cover			
23		67137	Ring, 7/8 Internal Snap			
24		67138	Ring, 3/8 External Snap			
25		09022	Bearing, EPB2			
26		03047	Axle, EPB2 Brush			
27		12012	Brush, EPB2			
28		70177	Screw, 10-32 x 1/2 FHMS			
29		64047	Pulley, Epb2 Brush			
30		70218	Shoulder Bolt, 3/8 OD x 1/2 L			
31		67029	Rectifier, Bridge			
32		70066	Screw, 10-32 x 3/4 PHMS			
33		87016	Washer, #10 star			
34		70020	Screw, 1/4-20 x 1/2 HHMS			
35		14280	Bracket, Brush Housing Lift			
36		73220	Spacer, EPB2 Cable			
37		27332	Cable, EPB2 Brush Lift			
38		87013	Washer, 1/4 ID x 5/8 OD			
39		87025	Washer, 1/4 Star			
40		70190	Screw, 1/4-20 x 1/2 BHCS			
41		57047	Nut, 1/4-20 Lock			
42		14278	Bracket, Cable Roller			
43		64034	Roller			
44		73206	Spacer, .259 ID x 3/8 OD x 1/2			
45		70018	Screw, 1/4-20 x 1 HHMS			
46		62130	Plate, Pump			
47		73208	Spacer, 3/4 OD x .208 Wht Nylon			
48		57113	Nut, 5/16-18 Lock			
49		73210	Spring, Pedal Release			
50		70217	Shoulder Bolt, 3/8 OD x 1.25L			
51		73219	Spacer, .57 OD x 3/4 L Nylon			
52		66076	Pedal Assembly, Left			
53		57005	Nut, 10-24 Hex			
54		70223	Eyebolt, 3/16 w/ 10-24 Nut			
55		66078	Pedal, Right			
56		14275	Bracket Assembly, EPB2 Pedal			
57		70216	Shoulder Bolt, 3/8 OD x 3/4 L			
58		14277	Bracket, Right Hanger			
59		57102	Nut, Strain Relief M 18,6			
60		14276	Bracket, LeftHanger			
61		14294	Bushing, 3/4 ID Snap			
62		20056	Clip, Wire Self Adhesive			
63		20035	Clamp, 7/16 Plastic Cable			
64		57116	Nut, 6-32 w/ Star Washer			
65		14020	Terminal Block, (3-4-3)			
66		50267	Label, Raise/ Lower Brush			
67		70210	Screw, 6-32 x 3/4 PHMS Blk Nylon			
68		31016	Elbow, 1/4NPT Street			
69		57106	Nut, 8-32 w/ Star Washer			
70		40015	Hosebarb, 1/4FPT X 3/8			
71		70012	Screw, 8-32 x 1/2 RHMS			
72		34128	Framer, EPB2 Main			
73		73168	Strain Relief, 1/2 NPT			
74		84144	Valve, Check 0-800 PSI 1/4MPT			
75		73195	Strain Relief, 1/2 NPT			
76		57040	Nut, 1/2 NPT Conduit			
77		70043	Screw, 10-32 x 1/2 PPHMS			
78		44060	Jet, 8002, Mini Quick			
79		44051	Jet Seal, Mini Quick			
80		44052	Jet Body, Mini Quick			
81		44054	Jet Asm, 80002 Mini Quick			
82		20005	Clamp, 5/16 Dia. Plastic			

TANK ASSEMBLY

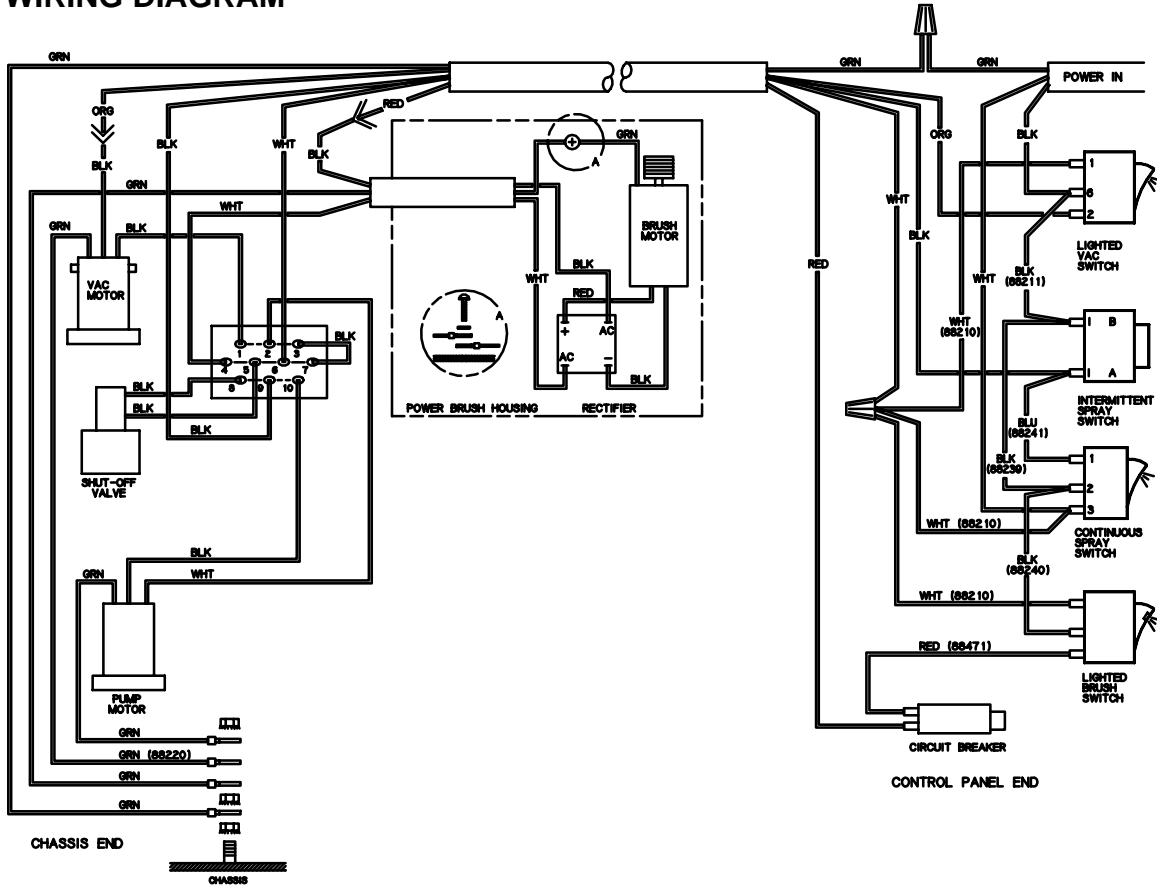


Ref	Qty.	Part No.	Description	Serial No.		Notes:
				From	To	
1	73250		Strainer, 80 Mesh x 3/8 FPT			
2	14076		Bushing, 3/8 MPT x 1/4 FPT hex			
3	87015		Washer, 9/16 x 1.06 OD			
4	56014		Nipple, 1/4 Close			
5	75082		Tank, EPB-2 Solution			
6	36055		Grommet, 1/2 ID x 1/4 Groove			
7	50379		Label, EPB-2 Main			
8	31016		Elbow, 1/4 NPT Street			
9	40015		Hosebarb, 1/4 FPT x 3/8			
10	20042		Clamp, 3/8 Hose			

TANK ASSEMBLY PARTS LIST

Ref	Qty.	Part No.	Description	Serial No.		Notes:
				From	To	
11		39243	Hose, 3/8 Rubber x 13.5			
12		14258	Brush Set, 115V			
13		OPEN				
14		70191	Screw, 10–32 x 1/2 HHST			
15		87016	Washer, #10 Star			
16		70062	Screw, 1/4–20 x 4" HHMS 115V			
17		87013	Washer, 1/4 ID x 5/8 OD			
18		88220	Wire, 12" Ground (115V)			
19A		53130	Motor, 115V 5.7" 3 Stage vac			
19B		53183	Motor, 100V 5.7" 3 Sage Vac			
20		73194	Spacer, Vac Mounting (115V)			
21		35011	Gasket, Vac Motor Top			
22		57039	Nut, 1.5 NPT Flange			
23		57105	Nut, 1/4 w/ Star Washer			
24		70018	Screw, 1/4–20 x 1 HHMS			
25		70020	Screw, 1/4–20 x 1/2 HHMS			
26		14264	Bracket, Vac Motor (115V)			
27		27007	Cord, tank lid			
28		51045	Lid, Solution Tank			
29		39244	Hose, Drain x 14.5			
30		20002	Clamp, 2" Nylon Ratchet			
31		–	OPEN			
32		75083	Tank, EPB–2 Recovery			
33A		78222	Tube Asm, Vac Stack			
33B		04032	Adapter, 1.5 MPT x 1.5 FS PVC			
34		31045	1.5 MS x FS PVC			
35		34140	Filter, Vac Intake 10 Mesh			
36		28029	Dome Assembly			
37		35060	Gasket, S/C Dome			
38		27274	Cuff, 1.5 Swivel Hose			
39		39072	Hose Asm, 1.5 x 4" Vac Swivel			
40		27167	Hose Cuff, 1.5			
41		73505	Strain Relief			
42		70085	Screw, 1/4–20 x 1/2 PHMS			
43		72033	Switch, Momentary On–Off 115V			
44		72004	Switch, Illuminated Rocker 115V			
45		50271	Label, Control Panel (115V)			
46		61167	Control Panel (115V)			
47		72035	Switch, Curvette Lt Rocker (115V)			
48		57040	Nut, 1/2 NPT Conduit			
49		88470	Wire Asm, 115V			
50		73195	Strain Relief, 1/2" NPT			
51		57040	Nut, 1/2" NPT conduit			
52		73322	Strain Relief, Cord hook			
53		67147	Ring, 2" dia. split			
54		23101	Cord Asm, 115V Pigtail			
55		26009	Cord End, 115A 15A Fem–T–Lock			
56		23086	Cord Asm, 115V 14/3 x 50'			
57		26006	Cord End, 125V 15A 3–WIRE			
58A		50272	Label, EPB wiring (115V)			
58B		50645	Label, EPB2 100V W/O Sol			
59		20035	Clamp, 7/16 Plastic cable			
60		27079	Cuff, 1.5" White Hose			
61		39230	Hose Assembly			
62		20041	Clamp, 2.0" Worm Gear			
63		87025	Washer, 1/4 Star			
64		85021	Vac Shoe, Epb2			
65		57132	Nut, Dress Panel 3/8–27			
66		14622	Circuit Breaker, 1.5A (115V)			
67		70088	Screw, 10–32 x 1/2 PPHMS SS			
68		50775	Label, Warning Explosion Vert			
69		50776	Label, Warning for Safety			

100 VOLT WIRING DIAGRAM



115 VOLT WIRING DIAGRAM

