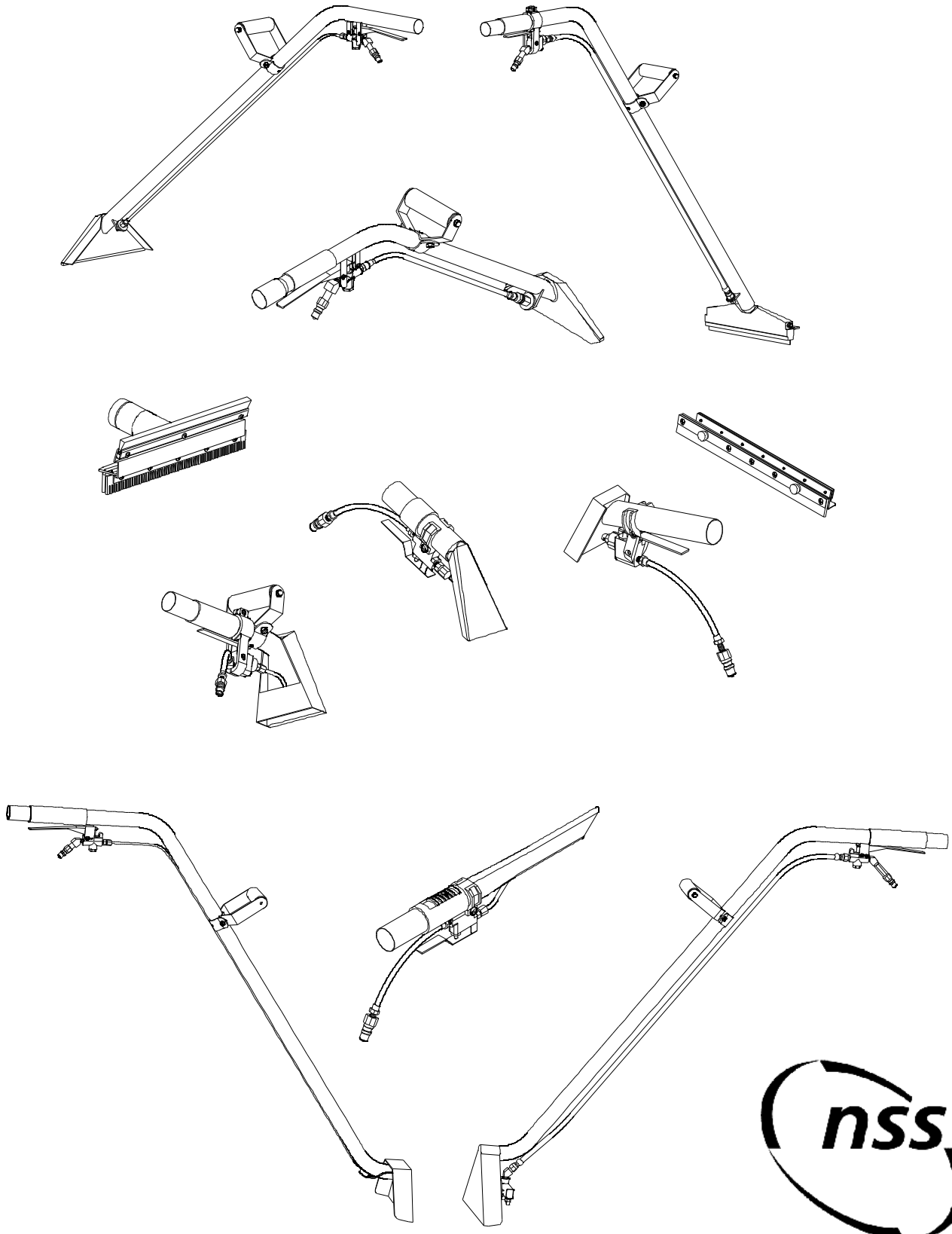
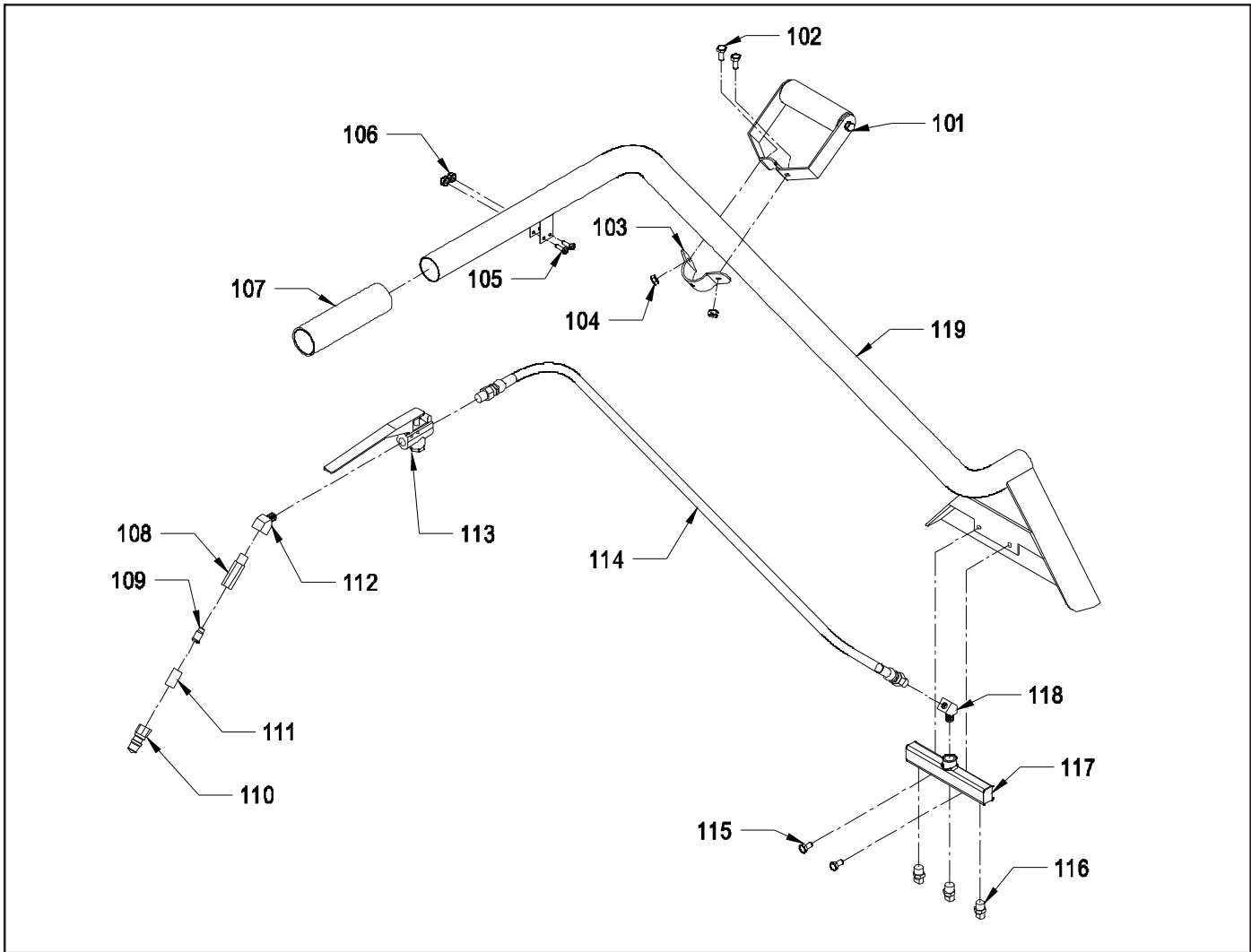


PARTS LIST

EXTRACTOR ACCESSORIES

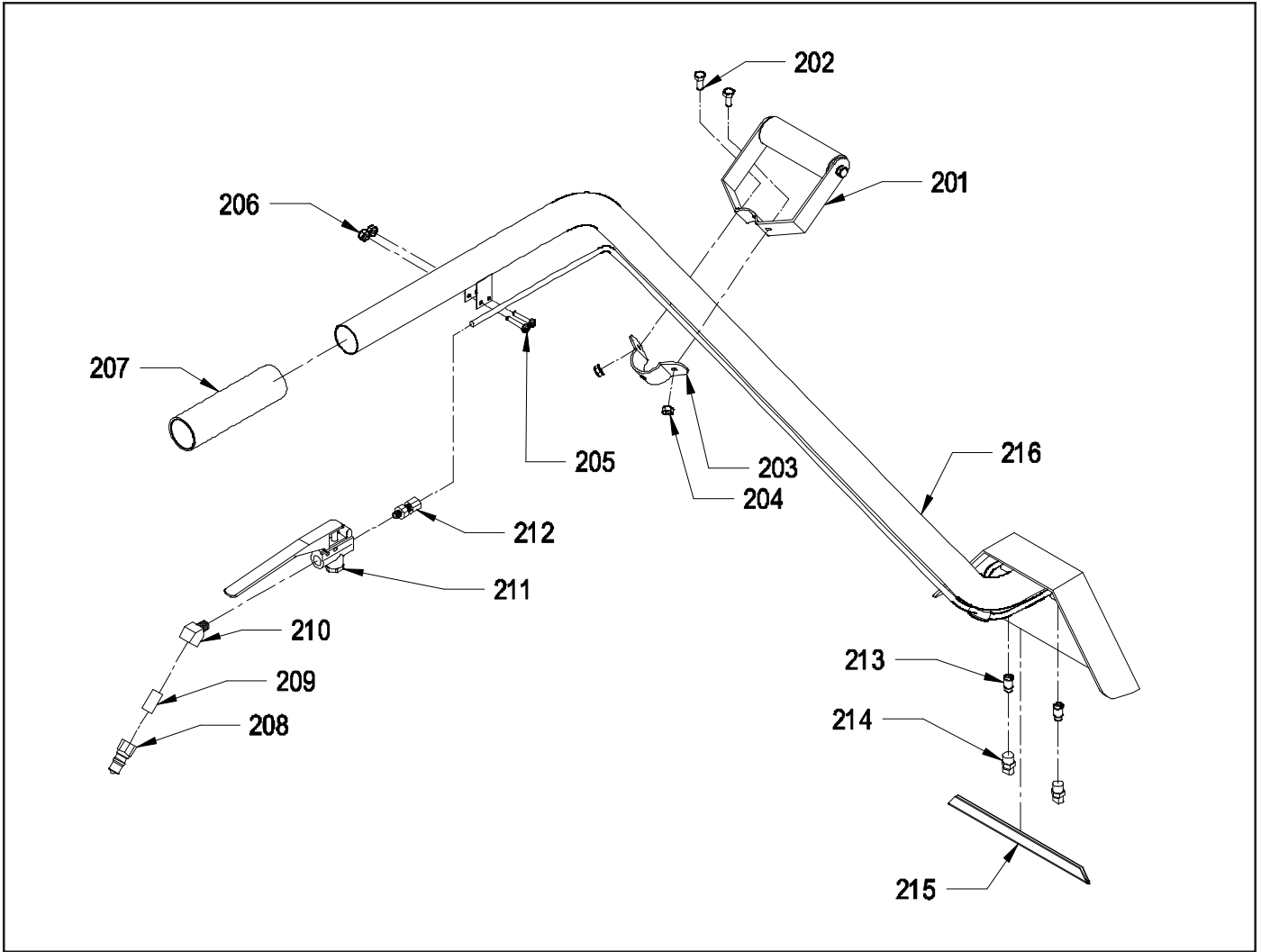


3 - JET WAND - 4097101



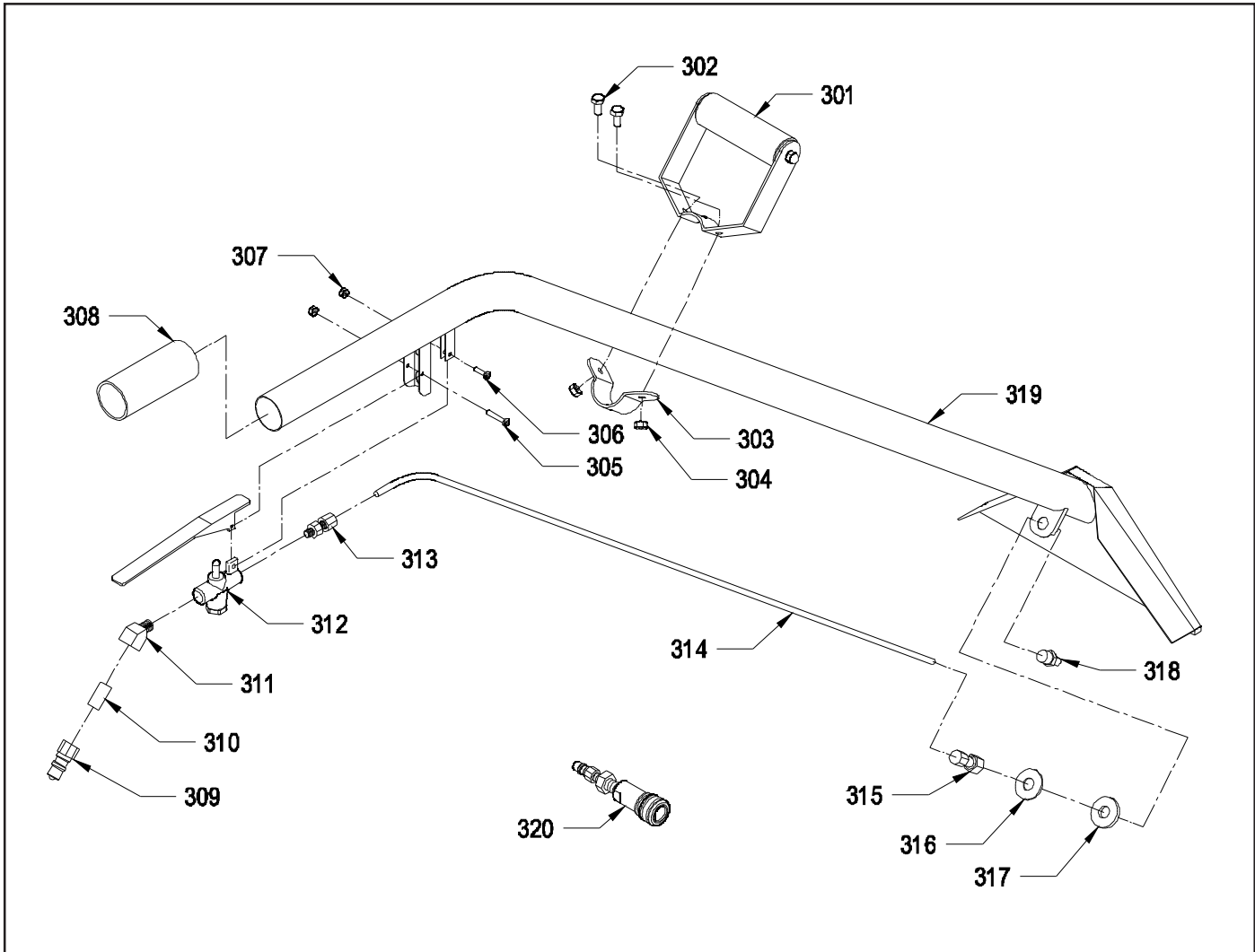
ITEM	PART NO.	DESCRIPTION	QTY.
101	4097961	HANDLE ASSEMBLY - INCLUDES:	1
102	9121210	1/4-20 X 5/8 HEX BOLT	2
103	-----	HANDLE CLAMP	1
104	9120920	1/4-20 HEX NUT	2
105	9120777	10-32 X 1 1/4 PAN HEAD PHILLIPS MACHINE SCREW	2
106	9120660	10-32 HEX NUT WITH NY-LOCK	2
107	4097161	VINYL GRIP	1
108	4097191	IN-LINE FILTER - INCLUDES:	1
109	4097181	STRAINER	1
110	3590751	1/4 MALE QUICK CONNECTOR	1
111	4097231	1/4" MPT CLOSE NIPPLE	1
112	6590171	45° STREET ELBOW	1
113	4097151	VALVE ASSEMBLY - INCLUDES:	1
	4097081	"O" RING - LARGE - UNDER CAP	1
	4097091	"O" RING - SMALL - UPPER STEM	1
	4097351	VALVE HANDLE	1
114	4097141	CONNECTOR HOSE	1
115	9121170	1/4-20 X 1/2 HEX BOLT	2
116	4097701	SPRAY JET	3
117	4097131	JET MANIFOLD	1
118	6590171	45° STREET ELBOW	1
119	4097121	BASE WAND	1

2 - JET WAND - 4097201



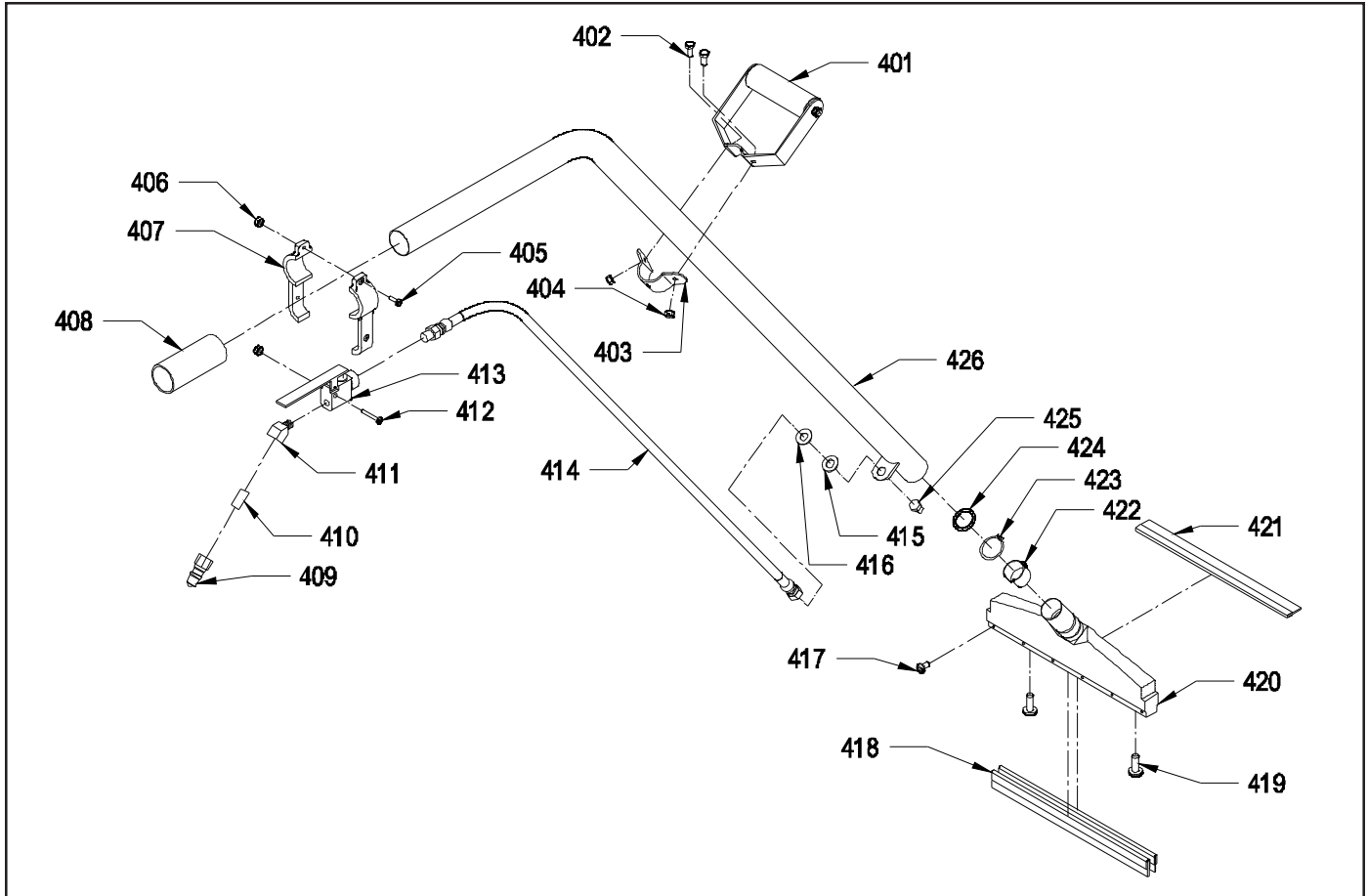
ITEM	PART NO.	DESCRIPTION	QTY.
201	4097961	HANDLE ASSEMBLY - INCLUDES:	1
202	9121210	1/4-20 X 5/8 HEX BOLT	2
203	-----	HANDLE CLAMP	1
204	9120920	1/4-20 HEX NUT	2
205	9120777	10-32 X 1 1/4 PAN HEAD PHILLIPS MACHINE SCREW	2
206	9120660	10-32 HEX NUT WITH NY-LOCK	2
207	4097161	VINYL GRIP	1
208	3590751	1/4 MALE QUICK CONNECTOR	1
209	4097231	1/4" MPT CLOSE NIPPLE	1
210	6590171	45° STREET ELBOW	1
211	4097151	VALVE ASSEMBLY INCLUDES:	1
	4097351	VALVE HANDLE	1
	4097081	"O" RING - LARGE - UNDER CAP	1
	4097091	"O" RING - SMALL - UPPER STEM	1
212	4097241	1/4" MPT X 1/4" TUBE COMPRESSION FERRULE ASSEMBLY	1
213	4097181	STRAINER	2
214	4097711	SPRAY JET	2
215	4097271	REPLACEABLE GLIDE	1
216	4097211	BASE WAND	1

12 INCH SINGLE JET WAND - 4098401



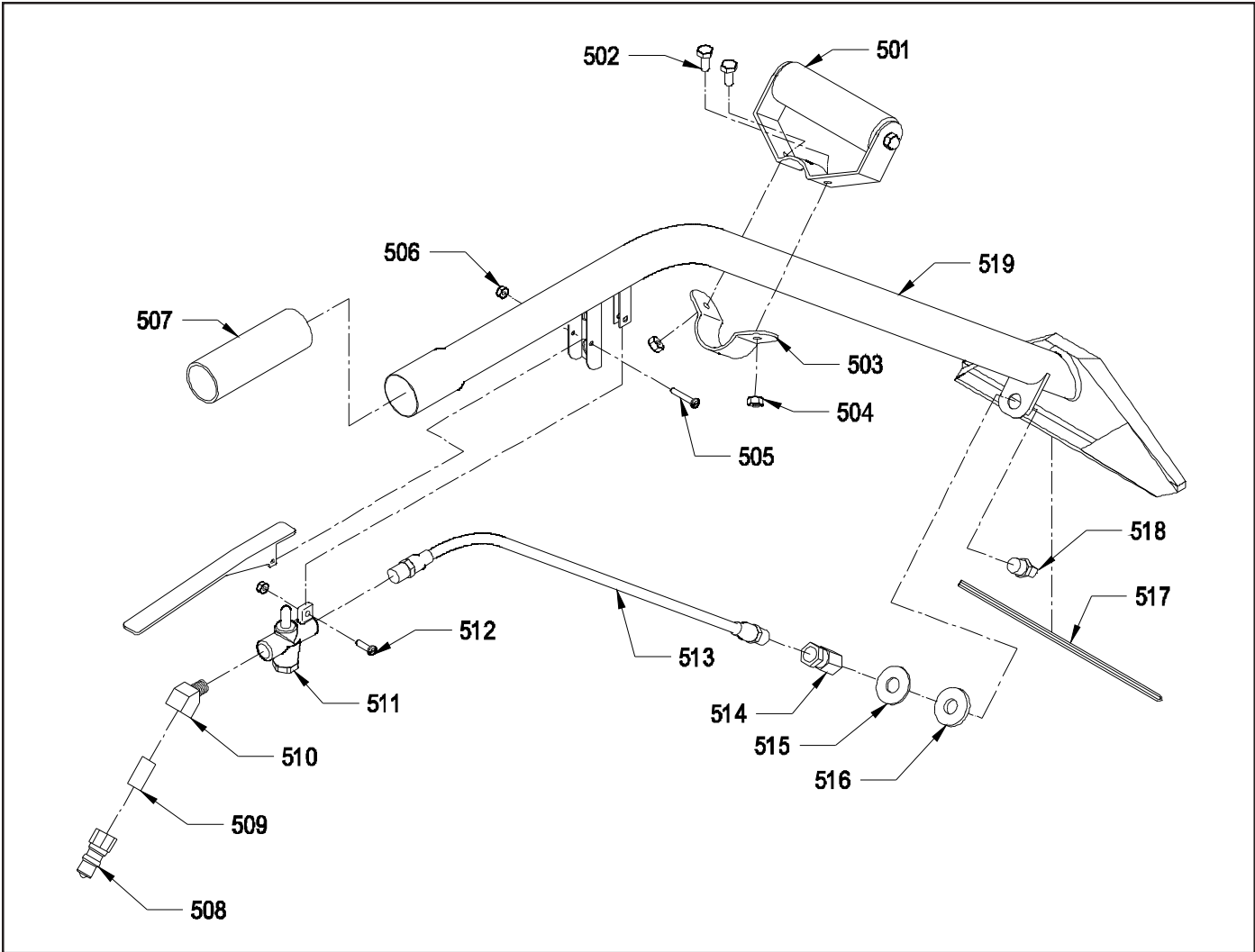
ITEM	PART NO.	DESCRIPTION	QTY.
301	4097961	HANDLE ASSEMBLY - INCLUDES:	1
302	9121210	1/4-20 X 5/8 HEX BOLT	2
303	-----	HANDLE CLAMP	1
304	9120920	1/4-20 HEX NUT	2
305	9120775	10-32 X 1 1/8 PAN HEAD PHILLIPS MACHINE SCREW	1
306	9120771	10-32 X 5/8 PAN HEAD PHILLIPS MACHINE SCREW	1
307	9120660	10-32 HEX NUT WITH NY-LOCK	2
308	4097481	VINYL GRIP	1
309	3590751	1/4 MALE QUICK CONNECTOR	1
310	4097231	1/4" MPT CLOSE NIPPLE	1
311	6590171	45° STREET ELBOW	1
312	4097381	VALVE ASSEMBLY - INCLUDES:	1
	4097351	VALVE HANDLE	1
	4097071	"O" RING - SMALL - UPPER STEM	2
313	4097241	1/4" MPT X 1/4" FERRULE ASSEMBLY	1
314	4098441	1/4" SOLUTION TUBE	1
315	4098421	1/4" FPT X 1/4" FERRULE ASSEMBLY	1
316	4097881	FLAT WASHER - STAINLESS STEEL	1
317	4097321	3/16" BLACK WASHER - ABS	1
318	4098431	SPRAY JET	1
319	4097121	BASE WAND	1
320	4097031	CONNECTOR - TO ADAPT TO THE PREDATOR CX3 HOSE	1

12 INCH DOUBLE BLADE SQUEEGEE / SPRAY WAND - 4098101



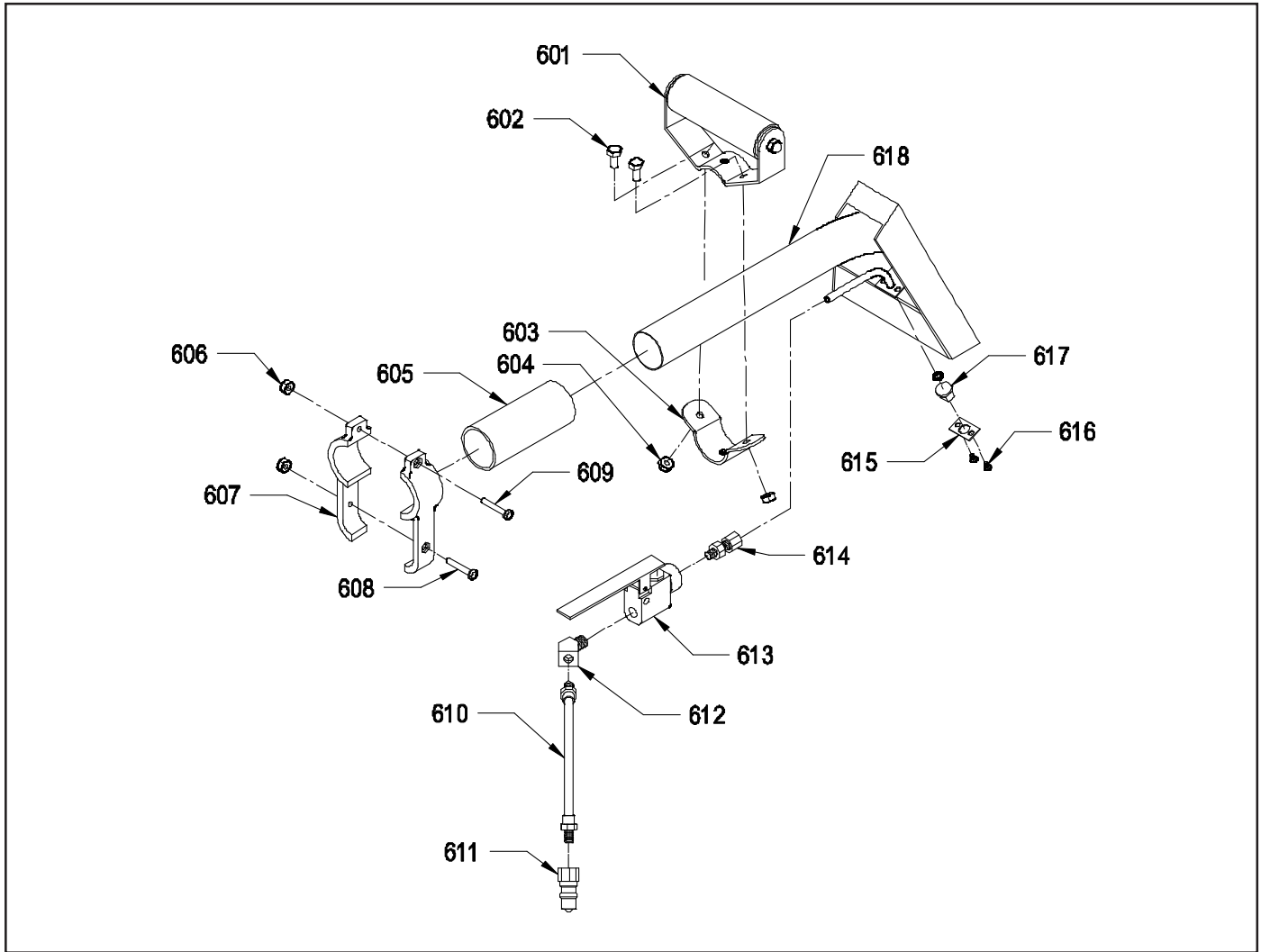
ITEM	PART NO.	DESCRIPTION	QTY.
401	4097961	HANDLE ASSEMBLY - INCLUDES:	1
402	9121210	1/4-20 X 5/8 HEX BOLT	2
403	-----	HANDLE CLAMP	1
404	9120920	1/4-20 HEX NUT	2
405	9120771	10-32 X 5/8 PAN HEAD PHILLIPS MACHINE SCREW	1
406	9120700	10-32 HEX NUT	2
407	4097491	1 1/2" VALVE HANGER - BOTH HALVES	2
408	4097481	VINYL GRIP	1
409	3590751	1/4 MALE QUICK CONNECTOR	1
410	4097231	1/4" MPT CLOSE NIPPLE	1
411	6590171	45° STREET ELBOW	1
412	9120777	10-32 X 1 1/4 PAN HEAD PHILLIPS MACHINE SCREW	1
413	4097151	VALVE ASSEMBLY - INCLUDES:	1
	4097471	VALVE HANDLE	1
	4097081	"O" RING - LARGE - UNDER CAP	1
	4097091	"O" RING - SMALL - UPPER STEM	1
414	4097871	HIGH PRESSURE HOSE	1
415	4097321	3/16" BLACK WASHER - ABS	1
416	4097881	FLAT WASHER STAINLESS STEEL	1
417	9120223	8-32 X 1/4 PAN HEAD PHILLIPS MACHINE SCREW	12
418	4097851	SQUEEGEE BLADE - SET OF 2	1
419	9120715	10-32 X 1/2 PAN HEAD PHILLIPS MACHINE SCREW	2
420	4097841	WAND HEAD	1
421	4097831	BRUSH	1
422	4097861	DETENT RING	1
423	4097821	TRUARC SNAP RING	1
424	4097811	1 1/4 O.D. X 1 1/16 I.D. - .103 THICK "O" - RING	1
425	4097891	VEE JET - 8006	1
426	4097801	BASE WAND	1

30 INCH X 9 3/4 INCH STAIR TOOL - 4097301



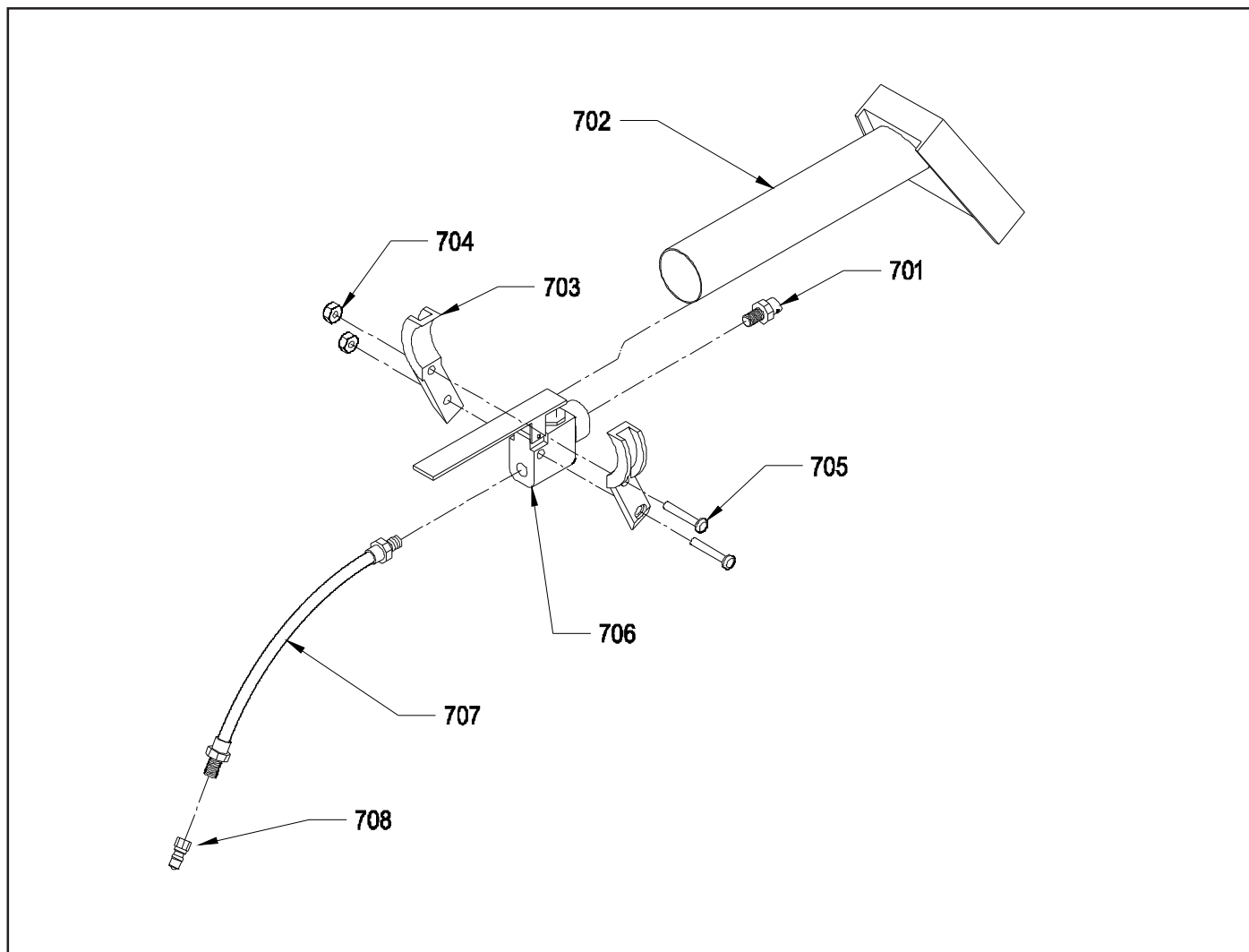
<u>ITEM</u>	<u>PART NO.</u>	<u>DESCRIPTION</u>	<u>QTY.</u>
501	4097361	HANDLE ASSEMBLY - INCLUDES:	1
502	9121210	1/4-20 X 5/8 HEX BOLT	2
503	-----	HANDLE CLAMP	1
504	9120920	1/4-20 HEX NUT	2
505	9120775	10-32 X 1 1/8 PAN HEAD PHILLIPS MACHINE SCREW	1
506	9120660	10-32 HEX NUT WITH NY-LOCK	2
507	4097391	VINYL GRIP	1
508	3590751	1/4 MALE QUICK CONNECTOR	1
509	4097231	1/4" MPT CLOSE NIPPLE	1
510	6590171	45° STREET ELBOW	1
511	4097381	VALVE ASSEMBLY - INCLUDES:	1
	4097351	VALVE HANDLE	1
	4097071	"O" RING - SMALL - UPPER STEM	2
512	9120771	10-32 X 5/8 PAN HEAD PHILLIPS MACHINE SCREW	1
513	4097341	CONNECTOR HOSE	1
514	4097331	1/4" FPT SWIVEL	1
515	4097881	FLAT WASHER - STAINLESS STEEL	1
516	4097321	3/16" THICK BLACK WASHER - ABS	1
517	4097291	REPLACEABLE GLIDE	1
518	4097371	SPRAY JET	1
519	4097311	BASE WAND	1

6 INCH STAIR HAND TOOL - 4097401



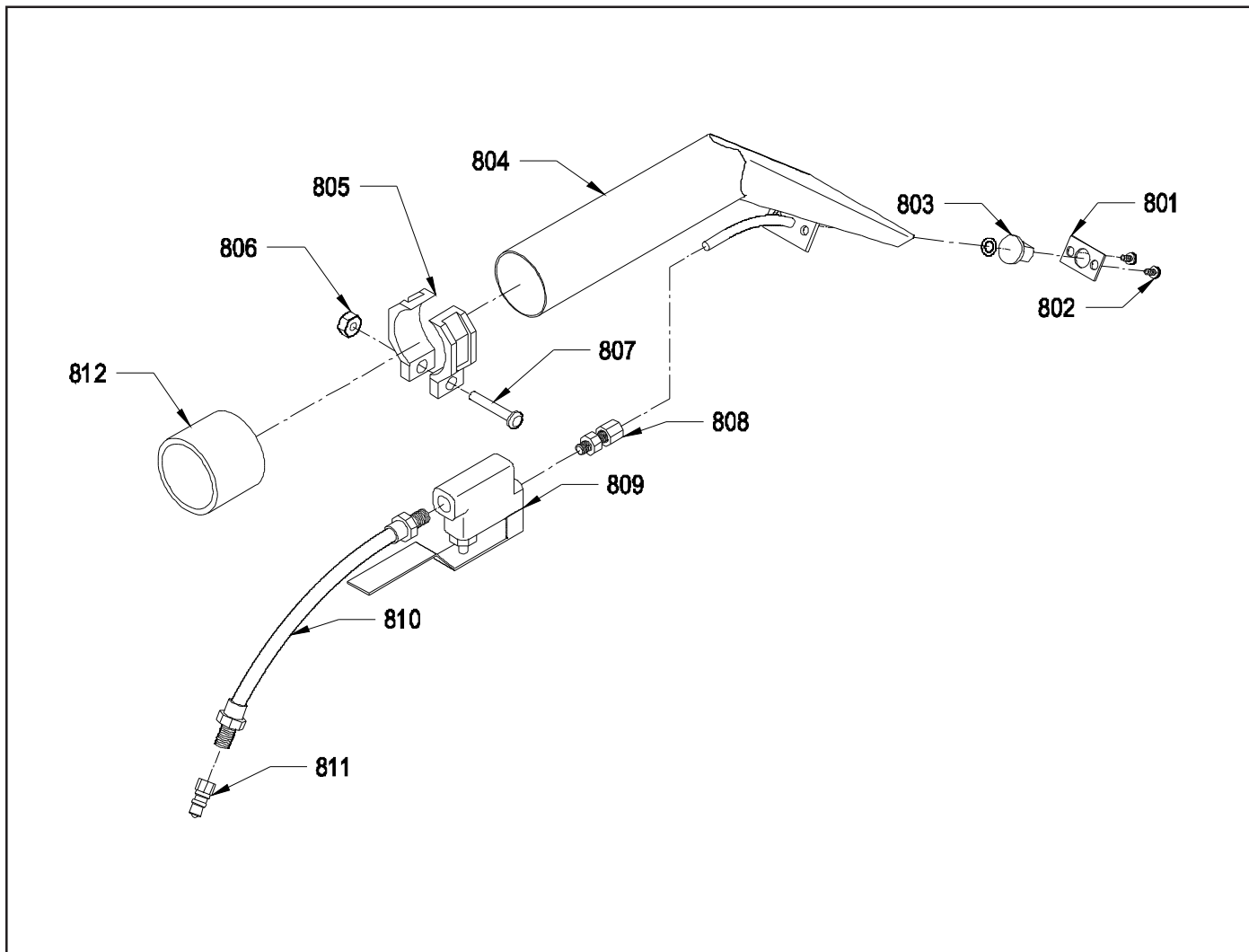
<u>ITEM</u>	<u>PART NO.</u>	<u>DESCRIPTION</u>	<u>QTY.</u>
601	4097421	HANDLE ASSEMBLY INCLUDES:	1
602	9121210	1/4-20 X 5/8 HEX BOLT	2
603	-----	HANDLE CLAMP	1
604	9120920	1/4-20 HEX NUT	2
605	4097481	VINYL GRIP	1
606	9120700	10-32 HEX NUT	2
607	4097491	1 1/2" VALVE HANGER - BOTH HALVES	2
608	9120777	10-32 X 1 1/4 PAN HEAD PHILLIPS MACHINE SCREW	1
609	9120771	10-32 X 5/8 PAN HEAD PHILLIPS MACHINE SCREW	1
610	4097461	HIGH PRESSURE HOSE	1
611	3590751	1/4 MALE QUICK CONNECTOR	1
612	6590171	45° STREET ELBOW	1
613	4097151	VALVE ASSEMBLY - INCLUDES:	1
	4097471	VALVE HANDLE	1
	4097081	"O" RING - LARGE - UNDER CAP	1
	4097091	"O" RING - SMALL - UPPER STEM	1
614	4097241	1/4" MPT X 1/4" TUBE COMPRESSION FERRULE ASSEMBLY	1
615	4097441	RETAINER PLATE - INCLUDES:	1
616	9120227	8-32 X 1/4 FILLISTER HEAD MACHINE SCREW	2
617	4097431	"TEE JET" INCLUDES "O"-RING	1
618	4097411	BASE HANDLE	1

4 INCH UPHOLSTERY TOOL - 4097501



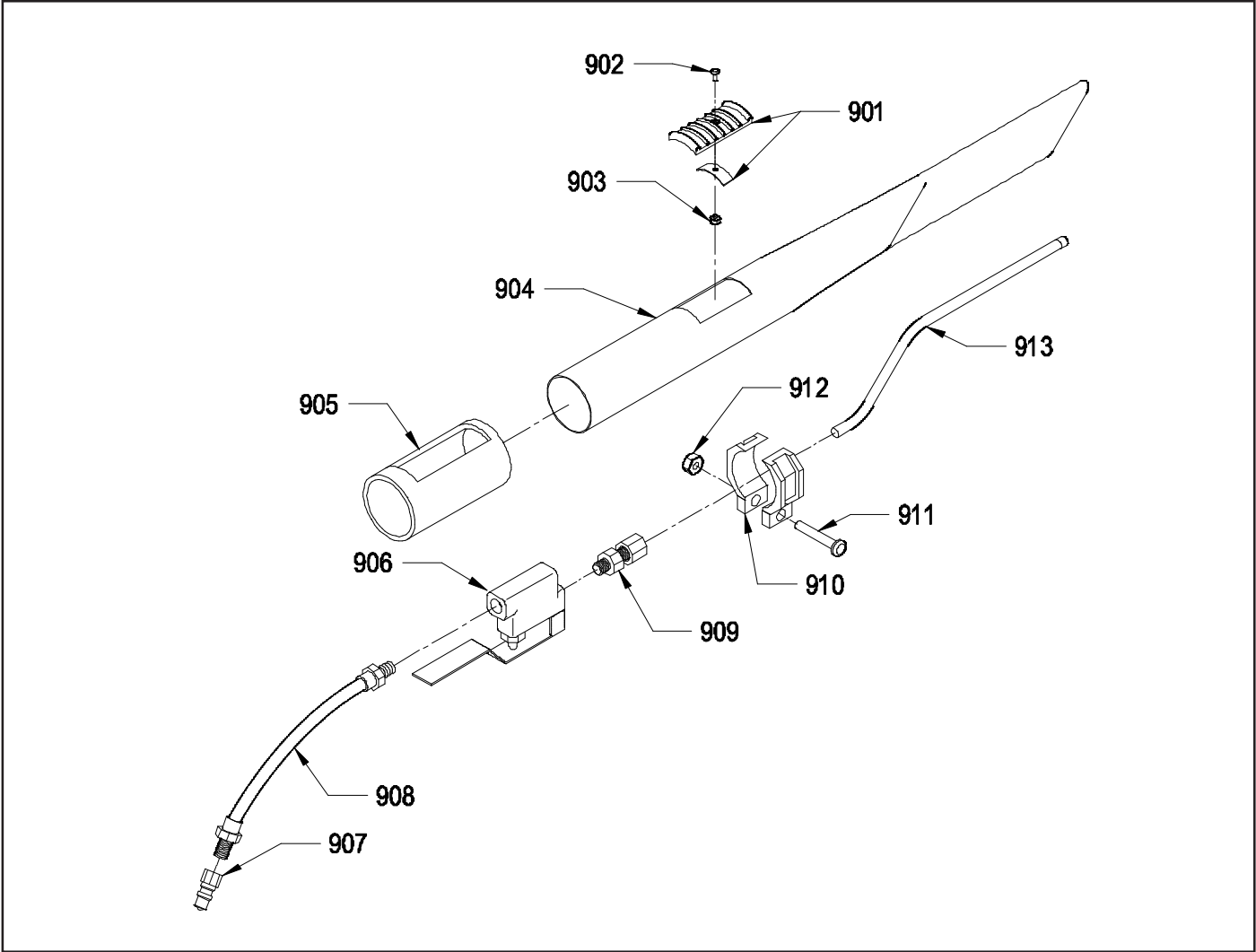
<u>ITEM</u>	<u>PART NO.</u>	<u>DESCRIPTION</u>	<u>QTY.</u>
701	4097531	1/4" MPT BRASS FLOOD JET	1
702	4097511	BASE HANDLE	1
703	4097521	VALVE CLAMP SET - INCLUDES:	1
704	9120700	10-32 HEX NUT	2
705	9120777	10-32 X 1 1/4 PAN HEAD PHILLIPS MACHINE SCREW	2
706	4097541	VALVE ASSEMBLY - INCLUDES:	1
	4097471	VALVE HANDLE	1
	4097481	"O" RING - LARGE - ABOVE STEM	1
	4097491	"O" RING - SMALL - UPPER STEM	1
707	4097551	HIGH PRESSURE HOSE	1
708	3590751	1/4 MALE QUICK CONNECTOR	1

3 1/2 INCH DETAIL TOOL - 4097601



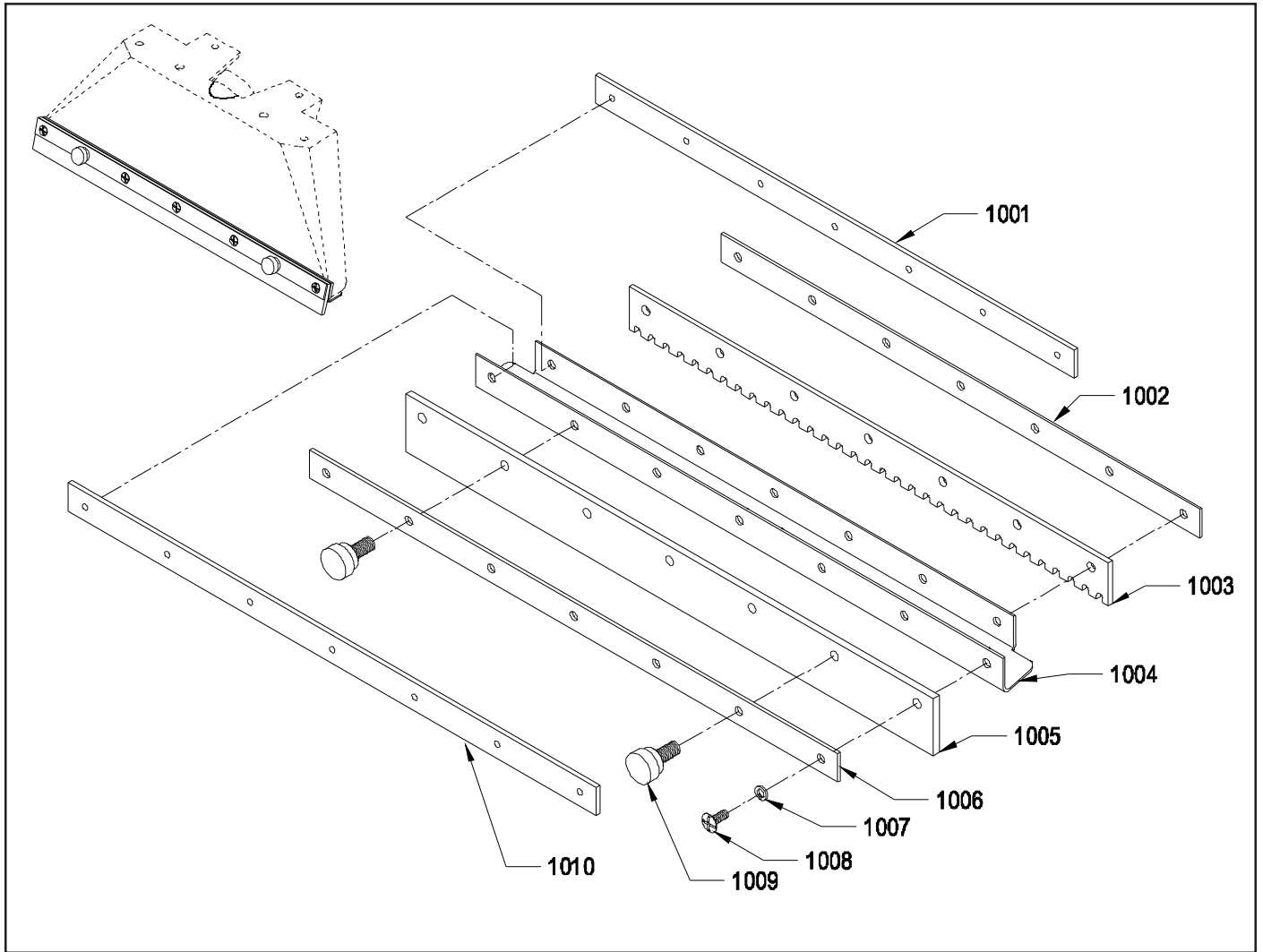
<u>ITEM</u>	<u>PART NO.</u>	<u>DESCRIPTION</u>	<u>QTY.</u>
801	4097441	RETAINER PLATE - INCLUDES:	1
802	9120227	8-32 X 1/4 FILLISTER HEAD MACHINE SCREW	2
803	4097681	"TEE JET" INCLUDES "O"-RING	1
804	4097611	BASE HANDLE	1
805	4097671	1 1/2" VALVE HANGER - INCLUDES:	2
806	9120700	10-32 HEX NUT	1
807	9120775	10-32 X 1 1/8 PAN HEAD PHILLIPS MACHINE SCREW	1
808	4097641	1/4" MPT X 3/16" TUBE COMPRESSION FERRULE ASSEMBLY	1
809	4097691	VALVE ASSEMBLY - INCLUDES:	1
	4098161	VALVE HANDLE	1
	4097061	"O" RING - LARGE - ABOVE STEM	1
	4097071	"O" RING - SMALL - UPPER STEM	1
810	4097631	HIGH PRESSURE HOSE	1
811	3590751	1/4 MALE QUICK CONNECTOR	1
812	4097481	VINYL GRIP	1

CREVICE TOOL - INTERNAL SPRAY - 4098031



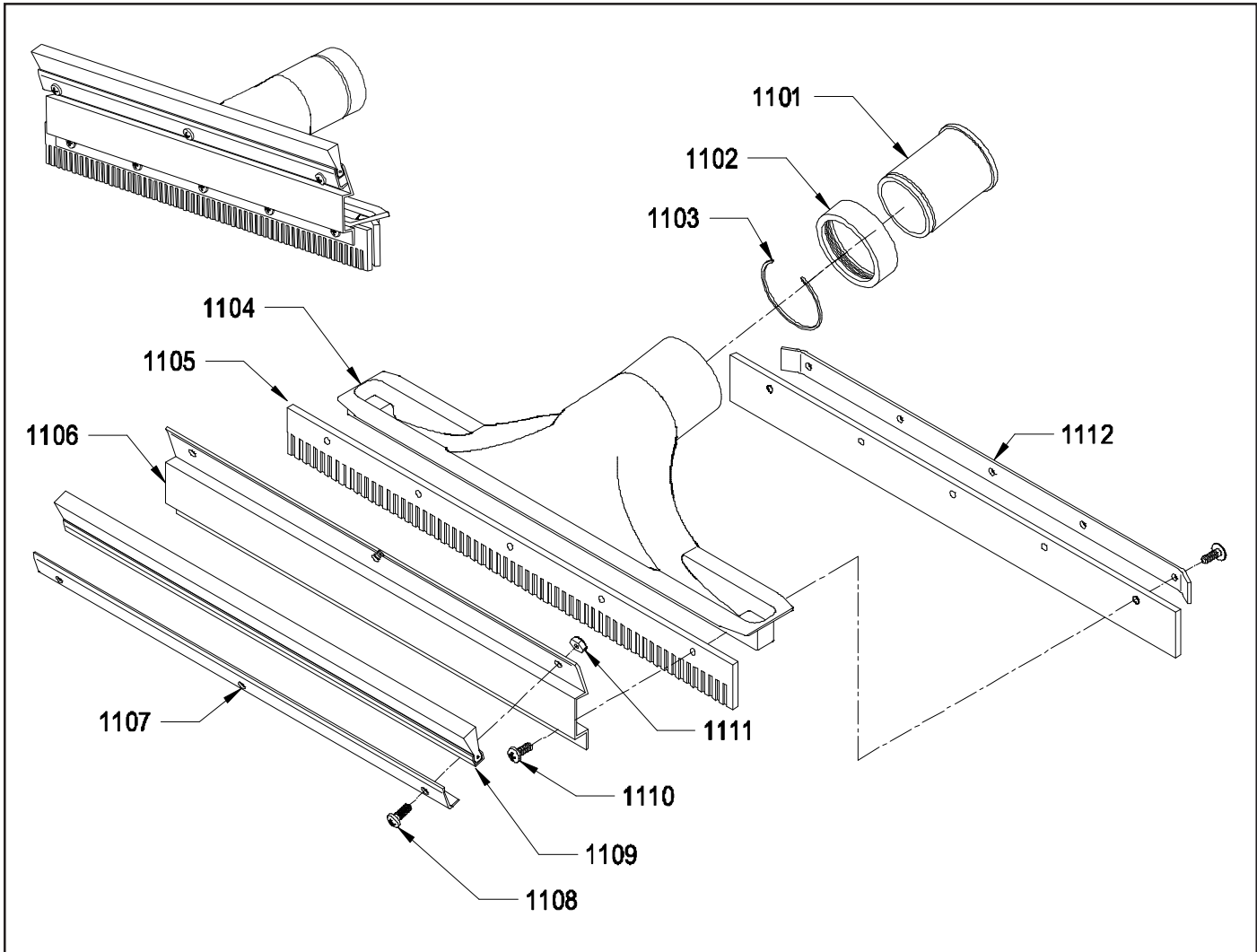
<u>ITEM</u>	<u>PART NO.</u>	<u>DESCRIPTION</u>	<u>QTY.</u>
901	4098141	VAC RELEASE THUMB SLIDE ASSEMBLY - INCLUDES:	1
902	9120012	4-40 X 3/8 PAN HEAD PHILLIPS MACHINE SCREW	1
903	9120010	4-40 HEX NUT WITH NY-LOCK	1
904	4098101	BASE HANDLE	1
905	4098131	VINYL GRIP	1
906	4097691	VALVE ASSEMBLY - INCLUDES:	1
	4098161	VALVE HANDLE	1
	4097061	"O" RING - LARGE - ABOVE STEM	1
	4097071	"O" RING - SMALL - UPPER STEM	1
907	3590751	1/4 MALE QUICK CONNECTOR	1
908	4097631	HIGH PRESSURE HOSE	1
909	4098111	1/8" MPT X 1/4" TUBE COMPRESSION FERRULE ASSEMBLY	1
910	4097671	1 1/2" VALVE HANGER - BOTH HALVES - INCLUDES:	2
911	9120700	10-32 HEX NUT	1
912	9120775	10-32 X 1 1/8 PAN HEAD PHILLIPS MACHINE SCREW	1
913	4098121	1/4" O.D. STAINLESS STEEL SOLUTION TUBE ASSEMBLY	1

STALLION BARE FLOOR SQUEEGEE ASSEMBLY - 4891699



<u>ITEM</u>	<u>PART NO.</u>	<u>DESCRIPTION</u>	<u>QTY.</u>
1001	4891203	BRACKET SPACER REAR	1
1002	4891213	BLADE CLAMP - REAR	1
1003	4891231	SQUEEGEE BLADE REAR	1
1004	4891193	SQUEEGEE BRACKET	1
1005	4891221	SQUEEGEE BLADE - FRONT	1
1006	4891683	BLADE CLAMP - FRONT	1
1007	9120320	10 SPLIT LOCK WASHER	12
1008	9120410	10-24 X 1/2 ROUND HEAD PHILLIPS MACHINE SCREW	12
1009	4891241	KNOB - SQUEEGEE	2
1010	4891673	BRACKET SPACER - FRONT	1

SQUEEGEE TOOL WITH BRUSH - 3097849



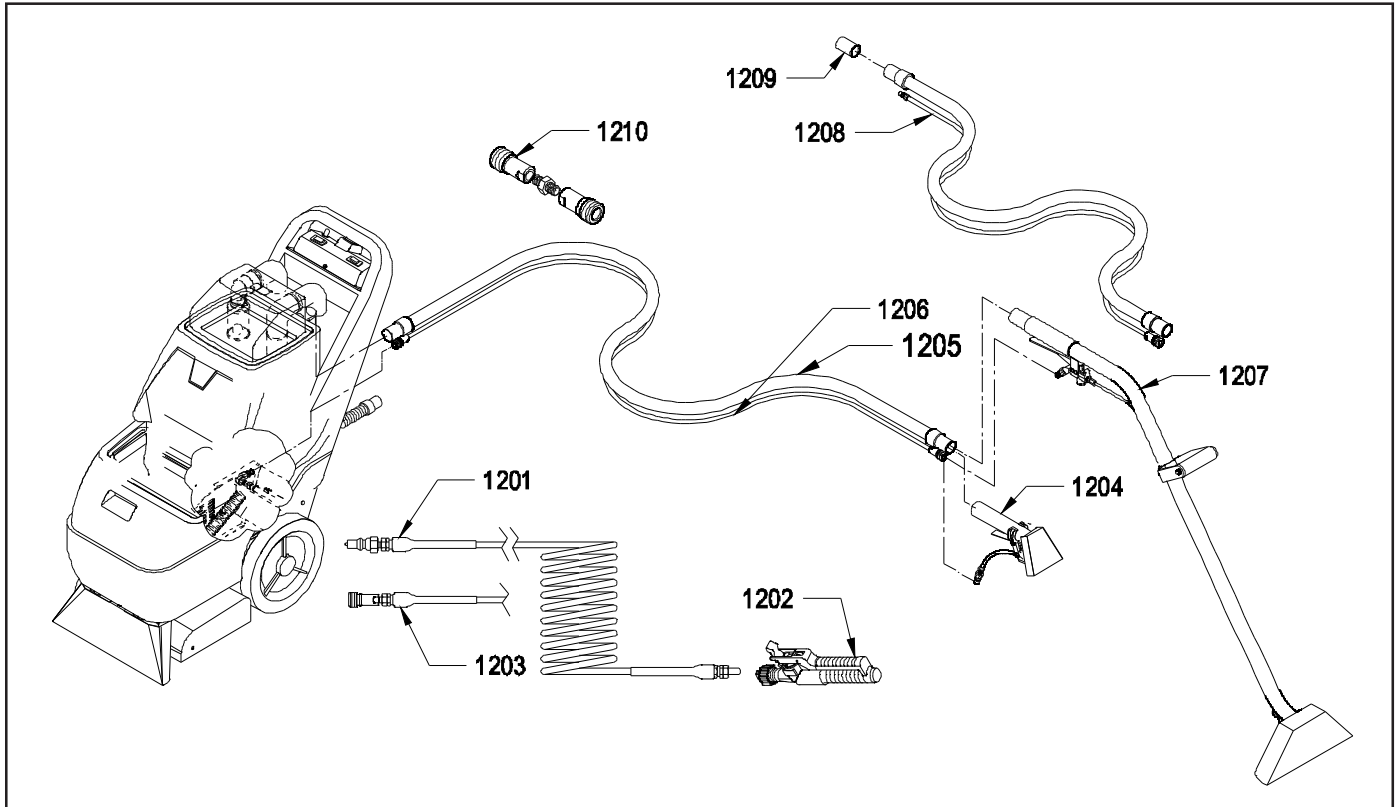
<u>ITEM</u>	<u>PART NO.</u>	<u>DESCRIPTION</u>	<u>QTY.</u>
1101	3090061	INSIDE SWIVEL - BRASS	1
1102	3090031	FEMALE LOCKING COLLAR	1
1103	3090041	SPRING CLIP	1
1104	3091313	14" TOOL	1
1105	3098349	14" URETHANE BLADE - SET OF 2	1
1106	3097863	FRONT PLATE	1
1107	3097853	BRUSH CLIP	1
1108	9120430	10-24 X 3/4 ROUND HEAD PHILLIPS MACHINE SCREW	3
1109	3091392	14" BRISTLE SHOE (BRUSH)	1
1110	9120230	8-32 X 1/2 PAN HEAD PHILLIPS MACHINE SCREW	10
1111	9120350	10-24 HEX NUT WITH NY-LOK INSERT	3
1112	3093352	READ STRIP - ALUMINUM	1

NOTE:

THIS TOOL ATTACHES TO THE FOLLOWING WANDS:

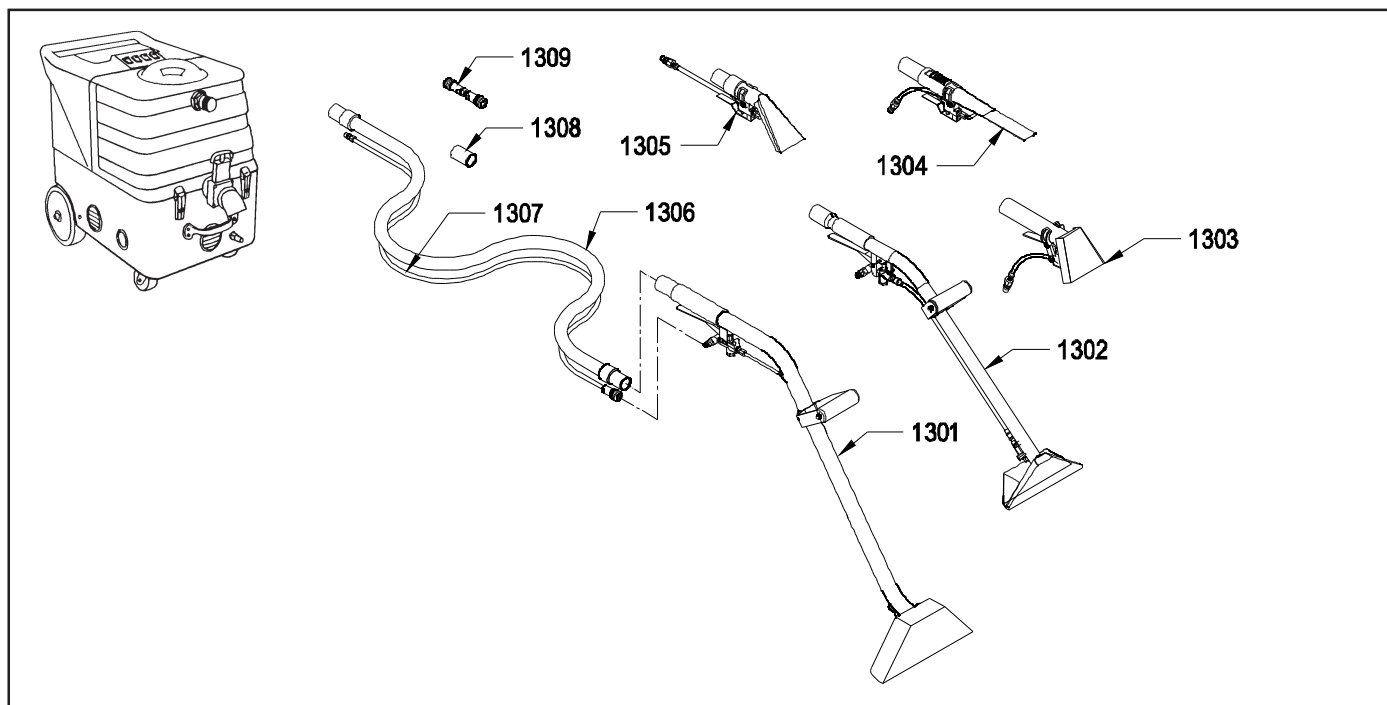
2290209	STEEL WAND	1
2290409	ALUMINUM WAND	1
WET FLOOR, USE IN CONJUNCTION WITH:		
4991949	COIL HOSE WITH SPRAY GUN KIT	1

PONY AND STALLION KITS AND ACCESSORIES



ITEM	PART NO	DESCRIPTION
		<u>KITS</u>
	4991729	COIL HOSE WITH SPRAY GUN KIT - LOW PRESSURE - 1/4 MALE QUICK DISCONNECT
		INCLUDES:
1201	4992841	COIL HOSE WITH 1/4 MALE QUICK DISCONNECT
1202	4991261	SPRAY GUN
	4991949	COIL HOSE W/SPRAY GUN KIT - LOW PRESSURE - 1/4 FEMALE QUICK DISCONNECT
		INCLUDES:
1203	4992851	COIL HOSE WITH 1/4 FEMALE QUICK DISCONNECT
1202	4991261	SPRAY GUN
	4892859	4" UPHOLSTERY TOOL KIT - INCLUDES:
1204	4097501	4" UPHOLSTERY TOOL - 50-300 PSI
1205	2598551	15' VACUUM HOSE
1206	4098021	15' SOLUTION HOSE - LOW PRESSURE - 1/4 FEMALE/FEMALE QUICK DISCONNECT
	4892869	DETAIL 3 - JET WAND TOOL KIT - INCLUDES:
1207	4097101	3 - JET WAND - 12" WIDTH - 50-800 PSI
1205	2598551	15' VACUUM HOSE
1206	4098021	15' SOLUTION HOSE - LOW PRESSURE - 1/4 FEMALE/FEMALE QUICK DISCONNECT
	4098089	15' SOLUTION HOSE EXTENSION KIT - INCLUDES:
1205	2598551	15' VACUUM HOSE
1208	3890991	15' SOLUTION HOSE - LOW PRESSURE - 1/4 FEMALE / MALE QUICK DISCONNECT
1209	2291211	5" CONNECTOR - USED TO CONNECT VACUUM HOSE'S
		<u>MISCELLANEOUS ACCESSORIES</u>
1210	4097111	ADAPTOR - 1/4 FEMALE / FEMALE QUICK DISCONNECT
N/S	2594251	25' VACUUM HOSE
N/S	3891581	15' SOLUTION HOSE - LOW PRESSURE - 1/4 MALE / MALE QUICK DISCONNECT
N/S	3890981	25' SOLUTION HOSE - LOW PRESSURE - 1/4 MALE / MALE QUICK DISCONNECT

PREDATOR (EXTRACTOR) KITS AND ACCESSORIES



<u>ITEM</u>	<u>PART NO.</u>	<u>DESCRIPTION</u>
-------------	-----------------	--------------------

KITS

	4098069	ALL PURPOSE KIT - INCLUDES:
1301	4097101	3 - JET WAND - 12" WIDTH - 50-800 PSI
1302	4097301	30 INCH X 9 3/4 INCH STAIR WAND
1303	4097501	4" UPHOLSTERY TOOL - 50-300 PSI
	4098079	CAR DETAIL KIT - INCLUDES:
1302	4097301	30 INCH X 9 3/4 INCH STAIR WAND
1304	4098031	CREVICE TOOL
1305	4097601	3 1/2 INCH DETAIL TOOL
	4098089	15' SOLUTION HOSE EXTENSION KIT - INCLUDES:
1306	2598551	15' VACUUM HOSE
1307	3890991	15' SOLUTION HOSE - LOW PRESSURE - 1/4 FEMALE / MALE QUICK DISCONNECT
1308	2291211	5" CONNECTOR - USED TO CONNECT VACUUM HOSE'S

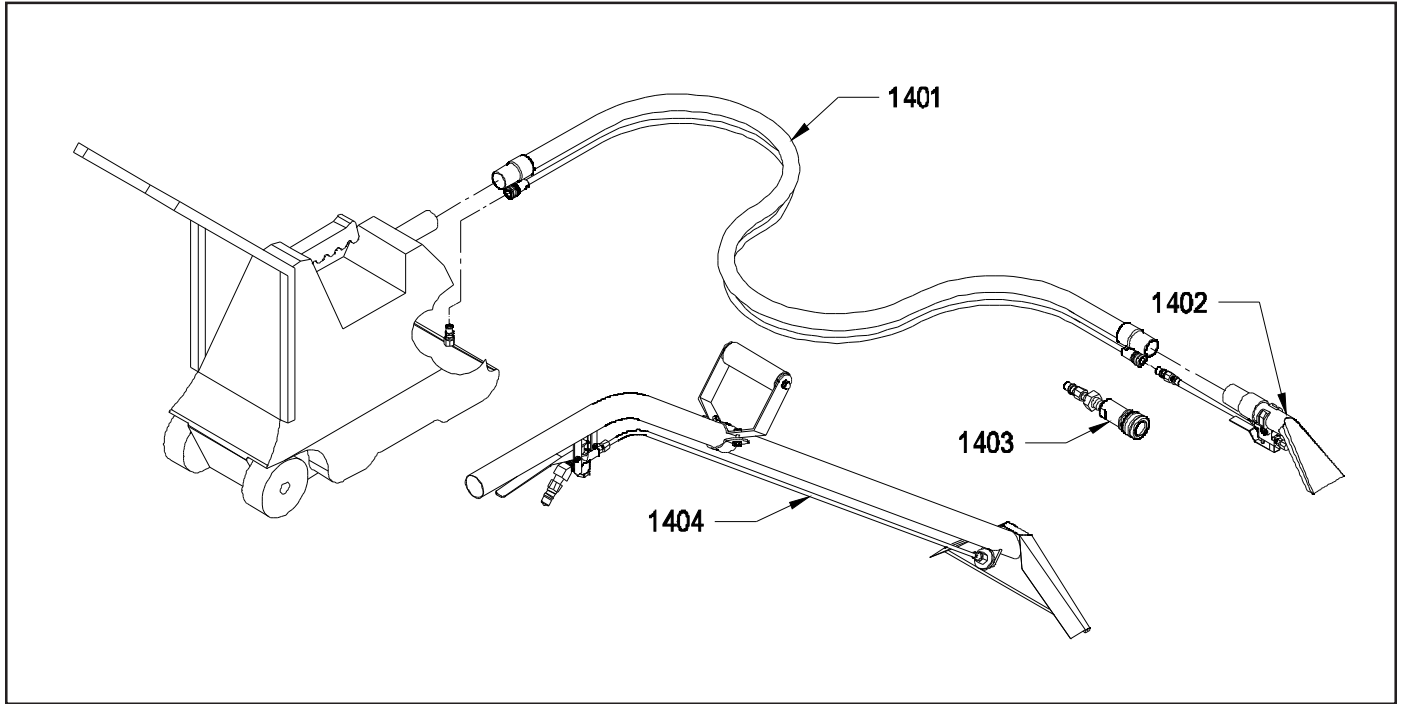
MISCELLANEOUS ACCESSORIES

1309	4097111	ADAPTOR - FEMALE - FEMALE QUICK DISCONNECT
------	---------	--------------------------------------------

ADDITIONAL HOSE OPTIONS

2594251	25' VACUUM HOSE
4095461	25" GRAY VAC HOSE WITH CUFFS
4098021	15' SOLUTION HOSE - LOW PRESSURE - 1/4 FEMALE / FEMALE QUICK DISCONNECT
3891581	15' SOLUTION HOSE - LOW PRESSURE - 1/4 MALE / MALE QUICK DISCONNECT
3890981	25' SOLUTION HOSE - LOW PRESSURE - 1/4 MALE / MALE QUICK DISCONNECT
4098011	15' SOLUTION HOSE - HIGH PRESSURE - 310 PSI - 1/4 FEMALE / FEMALE QUICK DISCONNECT
4090301	25' SOLUTION HOSE - HIGH PRESSURE - 310 PSI - 1/4 FEMALE / FEMALE QUICK DISCONNECT
4090311	50' SOLUTION HOSE - HIGH PRESSURE - 310 PSI - 1/4 FEMALE / FEMALE QUICK DISCONNECT

PREDATOR (SPOTTER) ACCESSORIES



<u>ITEM</u>	<u>PART NO.</u>	<u>DESCRIPTION</u>	<u>QTY</u>
1401	4097021	SOLUTION HOSE / VAC HOSE WITH 1/8 QDC ASSEMBLY	1
1402	4097011	PLASTIC DETAIL TOOL WITH METAL VALVE	1
1403	4097031	CONNECTOR - 1/8 QDC HOSE TO 1/4 QDC TOOL	1
1404	4098401	SINGLE JET WAND - <u>MUST USE</u> ITEM 1403 TO CONNECT TO HOSE	1



NSS ® Enterprises, Inc.

3115 Frenchmens Road, Toledo, Ohio 43607

PHONE (419) 531-2121 FAX (419) 531-3761

**NSS ® Enterprises, Inc. European Distribution
Centre ° °**

Unit II, Pinfold Trading Estate * 55 Nottingham Road
STAPLEFORD, NOTTINGHAM NG9 8AD ENGLAND U.K.

PHONE: (44) 0115 939 1568 * FAX: (44) 0115 949 0615