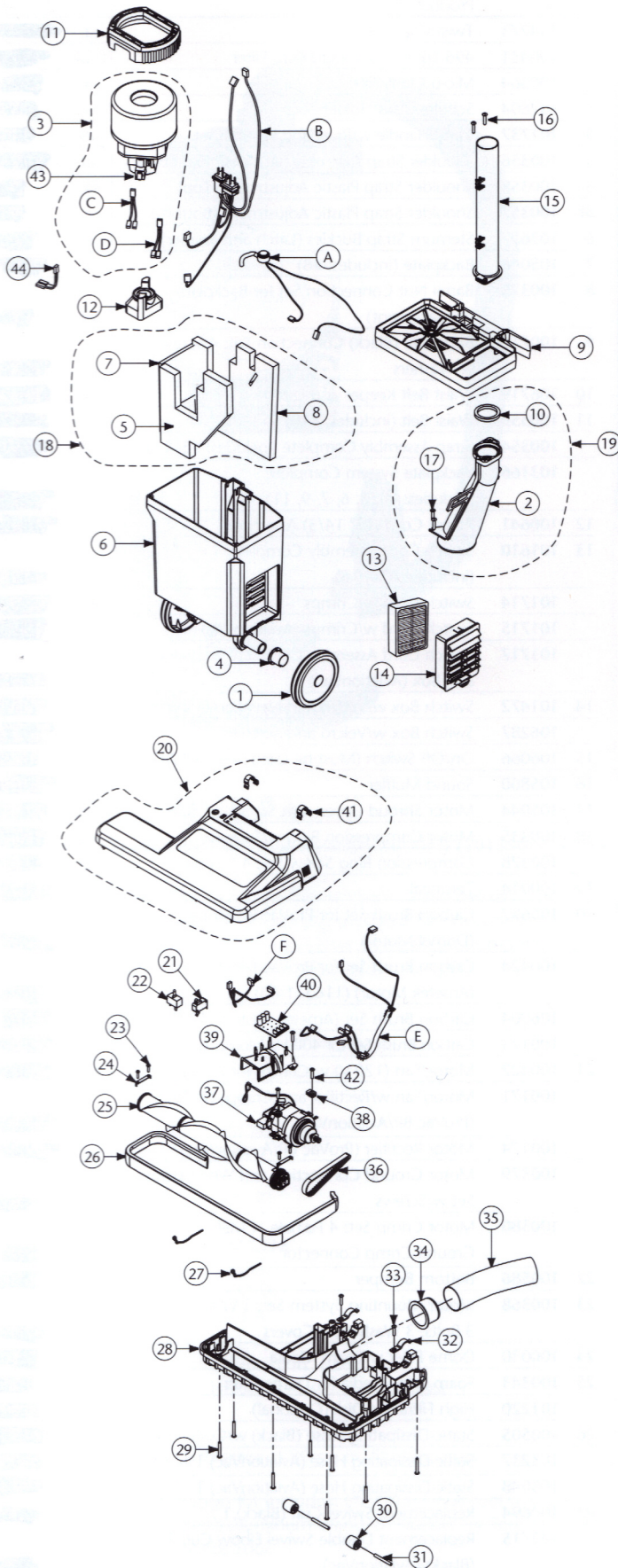
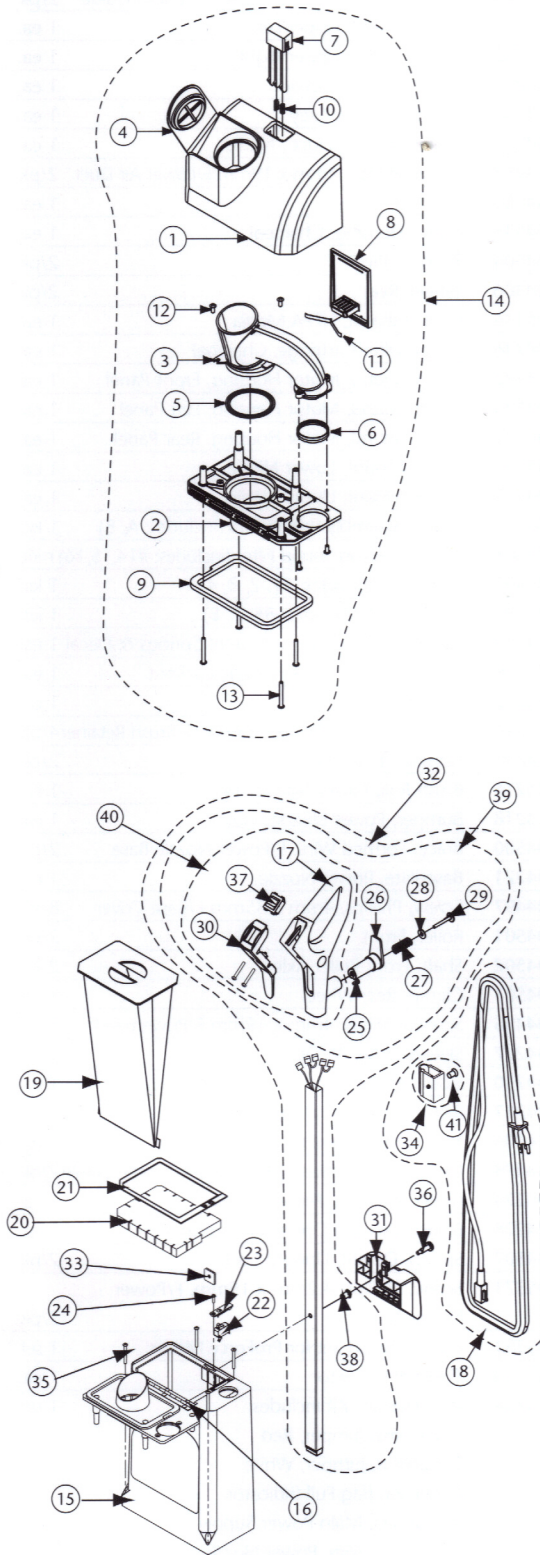


PROFORCE 1500 PA



No.	Product Name	Qty
1	104306 Wheel, Rear	2/pk
2	104250 Air Duct	1 ea
3	104957 Motor Assembly Kit w/Jumpers (includes: C, D)	1 ea
4	104504 Bearing, Pivot	2/pk
5	103532 Foam, Sound, Motor Housing Front Panel	1 ea
6	104536 Motor Housing, Charcoal	1 ea
7	103533 Foam, Sound, Motor Housing Left Panel	1 ea
8	103531 Foam, Sound, Motor Housing Rear Panel	1 ea
9	104245 Bulkhead, Dark Grey	1 ea
10	104253 Seal, Lower Air Duct , Nitrile	1 ea
11	104249 Motor Mount, Upper Nitrile	1 ea
12	104247 Motor Mount, Lower Nitrile	1 ea
13	105136 Filter, Exhaust, HEPA Media	1 ea
14	104246 Cover, Filter Cartridge, Charcoal	1 ea
15	104578 Air Duct, Upper ProForce 1500	1 ea
16	104209 Screw, Phillips, 4mm x 12mm, F/Upper Air Duct	2/pk
17	104267 Screw, Phillips, 4mm x 19mm, F/Lower Air Duct	2/pk
18	105488 Motor Housing Sound Filter Kit (includes: #5, 7, 8)	1 kit
19	105489 Air Duct Kit (includes: #2, 10, 16)	1 kit
20	104494 Power Nozzle Cover w/Detent Springs & Decal	1 ea
21	104279 Switch, Safety, Power Nozzle Lockout	1 ea
22	104212 Circuit Breaker	1 ea
23	104496 Screw, Phillips, 2.9mm x 13mm, F/Brush Retainer/4	2/pk
24	104499 Retainer, Brush Roll	2/pk
25	104216 Brush Roll, Power Nozzle, 14"	1 ea
26	104218 Bumper, Power Nozzle, Vinyl	1 ea
27	104500 Brace, Formed Wire, F/Power Nozzle Base	2/pk
28	104221 Baseplate, Power Nozzle	1 ea
29	104497 Screw, Phillips, 4mm x 35mm F/Base Cover	8/pk
30	104501 Roller, Front	2/pk
31	104502 Shaft, Front Roller Axle	2/pk
32	104503 Clamp, Rear Wheel	1 set
33	104495 Screw, Phillips, 4mm x 19mm, F/Powerhead	5/pk
34	104227 Sleeve, Hose, Air Duct	1 ea
35	104230 Hose, Power Nozzle to Air Duct, Lower	1 ea
36	104217 Belt, Drive, F/Brush Roll	1 ea
37	104506 Motor, Power Nozzle with Crimps	1 ea
38	104498 Grommet, Vibration, Power Nozzle Motor, Nitrile	2/pk
39	104224 Cover, Air Duct, Power Nozzle	1 ea
40	104226 Board, Vacuum Operation Indicator	1 ea
41	104507 Spring, Detent, Upright Lock	2/pk
42	105371 Screw, Phillips, 4.2mm x 19mm, F/Power Nozzle Motor	2/pk
43	105281 Carbon Brush Set for ProForce Motor	1 set
44	105760 Thermal Protector	1 ea
	105755 Wire Harness Kit includes:	1 set
	A. Sensor, Bag, Full Indicator	
	B. Harness, Wire, Main Power Supply	
	C. Harness, Jumper, White	
	D. Harness, Jumper, Red	
	E. Harness, Wire, Power Nozzle	
	F. Harness, Power Nozzle Switch	

PROFORCE 1500 PARTS



No.	Product Name	Qty
1	104569 Cover, Bag Housing, Grey	1 ea.
2	104570 Plate, Bag Cover Nozzle	1 ea.
3	104571 Duct, Crossover, Bag Cover	1 ea.
4	104574 Plug, Access Port	1 ea.
5	104575 Seal, Crossover Duct/Bag Cover Nozzle Plate, Lower	1 ea.
6	104576 Seal, Crossover Duct, Inlet	1 ea.
7	104232 Latch, Release, Bag Cover	1 ea.
8	104243 Flex Plate, Bag Cover Latch	1 ea.
9	104241 Seal, Gasket, Bag Cover	1 ea.
10	104233 Spring, Release Button, F/Bag Cover Latch	2/pk
11	104242 Spring, Bag Cover Latch	1 ea.
12	104577 Screw, Phillips, 4mm x 9.5mm	4/pk
13	104493 Screw, Phillips, 4mm x 38mm	4/pk
14	105491 Filter Cover Kit, w/Riveted Hinge and 6 Rivets (includes: #1-13)	1 kit
15	104739 Bag Housing Assembly, Grey, w/Riveted Hinge and Decal Includes Bag Cover Nozzle Plate	1 ea.
16	104491 Rivet F/Bag Housing Assembly	6/pk
17	104255 Handle w/Over Mold and Decal	1 ea.
18	104284 Cord, Power Clasp, 50' Yellow (includes: #34, 41)	1 ea.
19	103483 Intercept Micro Filter	10/pl
20	104281 Filter, Motor Intake	1 ea.
21	104738 Seal, Gasket, Bag Housing	1 ea.
22	104283 Switch, Filter, Lock-Out	1 ea.
23	104282 Cover, Switch, Filter Lock-out	1 ea.
24	105075 Screw, Phillips, 2.9mm x 13mm, F/Switch Cover	1 ea.
25	104509 Screw, Phillips, F/Handle Assembly M4 x 10mm x .07 Pitch	1 ea.
26	104268 Bracket, Cord Wrap	1 ea.
27	104269 Spring, Compression, Cord Wrap Bracket	1 ea.
28	104270 Washer, Compression Spring, Cord Wrap Bracket	1 ea.
29	104271 Screw, Cord Wrap, 4mm x 35mm Phillips Round Head	1 ea.
30	105090 Handle Bezel w/Screws	1 ea.
31	104741 Handle, Carry	1 ea.
32	106615 Handle, Tube Assembly Complete (includes: #17, 25, 26, 27, 28, 29, 30, 36, 38, 39)	1 kit
33	104259 Plate, Handle Nut	1 ea.
34	105091 Clasp, Strain Relief Kit w/Fastener (includes:#41)	1 ea.
35	104493 Screw, Phillips, 4.2mm x 35mm	4/pk
36	104266 Screw, Handle Assembly	1 ea.
37	105147 Switch, Rocker, On/Off	1 ea.
38	104264 Bushing, Handle Tube	1 ea.
39	106614 Handle Kit (includes: #17, 25, 26, 27, 28, 29, 30, 38)	1 kit
40	106740 Handle Bezel Assembly (includes: #17, 30, 37)	1 kit
41	105320 Fastener	1 ea.