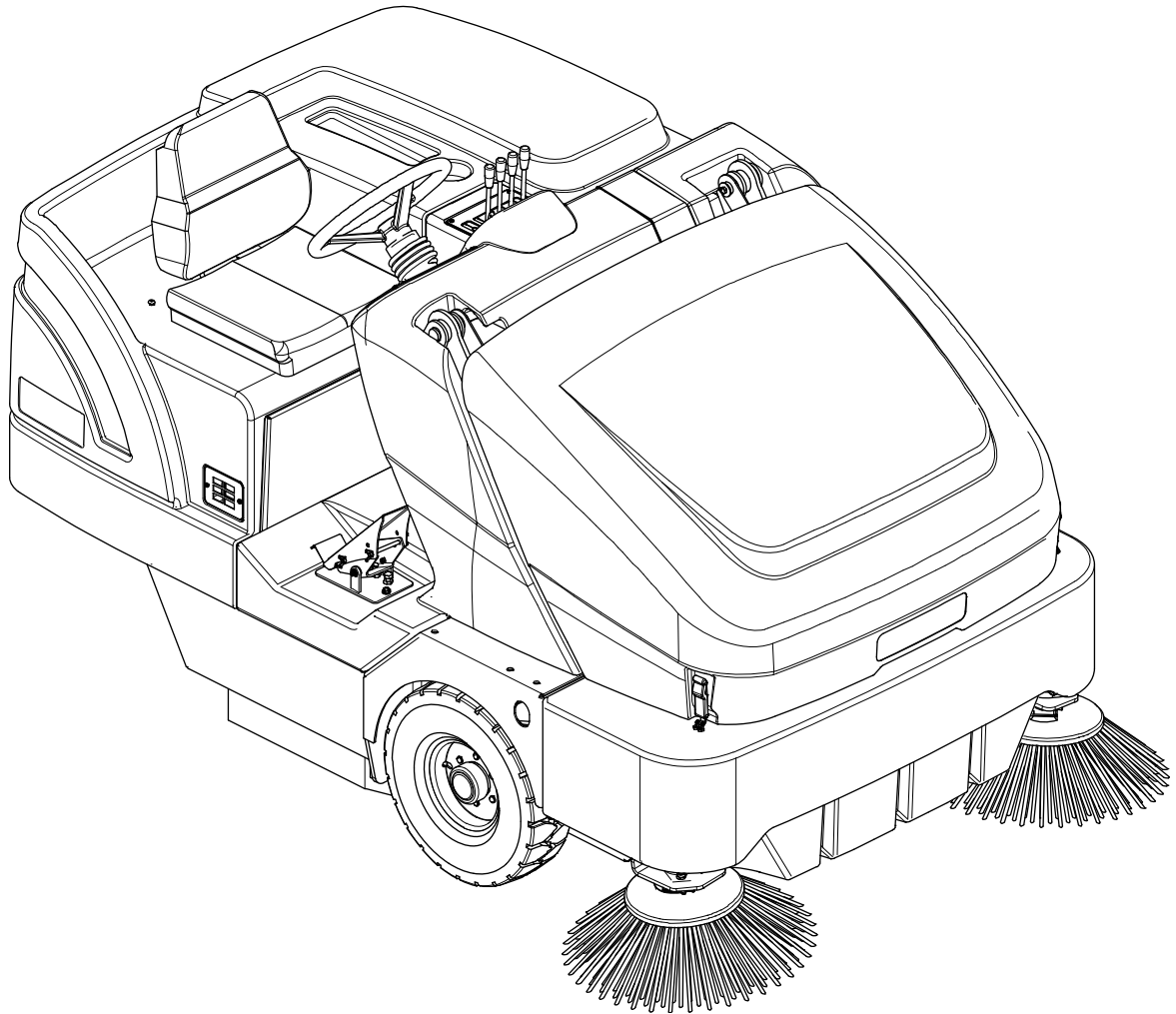


# Proterra™

---



---

## PARTS LIST

**Advance models: 13300106 (3 cyl D3) PRUNED**  
**13300108 (3 cyl P3) PRUNED**  
**13300109 (3 cyl LPG)**  
**13300174 (3 cyl LPG)**



**TABLE OF CONTENTS**

<b>ENG</b>	<b>PAGE</b>
GENERAL VIEW	2 - 3
CHASSIS ASSEMBLY	4 - 7
CHASSIS COMPONENTS	8 - 9
HOPPER SYSTEM	10 - 13
VAC FAN AND PANEL FILTER ASSY	14 - 15
RT SIDE BROOM ASSY	16 - 17
LT SIDE BROOM ASSY	18 - 19
MAIN BROOM SYSTEM	20 - 21
ASSY CONTROL	22 - 23
PEDALS SYSTEM	24 - 25
ASSY SPEED LIMITING	26 - 27
ASSY CONTROL PANEL AND REALYS	28 - 29
ASSY REAR COVER	30 - 31
ASSY FUEL TANK 3 CYL DIESEL	32 - 33
ASSY SUPPORT 3 CYL LPG	34 - 37
ASSY ENGINE 3 CYL DIESEL	38 - 41
ASSY ENGINE 3 CYL LPG	42 - 45
ASSY ENGINE 3 CYL LPG TIER 3	46 - 49
ASSY ENGINE 3 CYL GASOLINE	50 - 53
ASSY HYDRAULIC PLANT	54 - 59
HYDRAULIC PLANT - DRIVE MOTOR SCHEME	60 - 61
HYDRAULIC PLANT - STEERING SCHEME	62 - 63
HYDRAULIC PLANT - FLAP AND HOPPER SCHEME	64 - 65
HYDRAULIC PLANT - SIDE BROOM SCHEME	66 - 67
ACCESSORIES	68 - 79
WIRING DIAGRAM DIESEL	80 - 83
WIRING DIAGRAM LPG	84 - 87
HYDRAULIC DIAGRAM	88 - 89
RECOMMENDED SPARE PARTS	90
OPTIONALS	91

**WHEN ORDERING PARTS**

- \* Use the part numbers from the "Ref. No." columns in this parts list.
- \* Specify the model and serial number of the machine.
- \* Use the space below to record the model and serial number for future reference.

Model

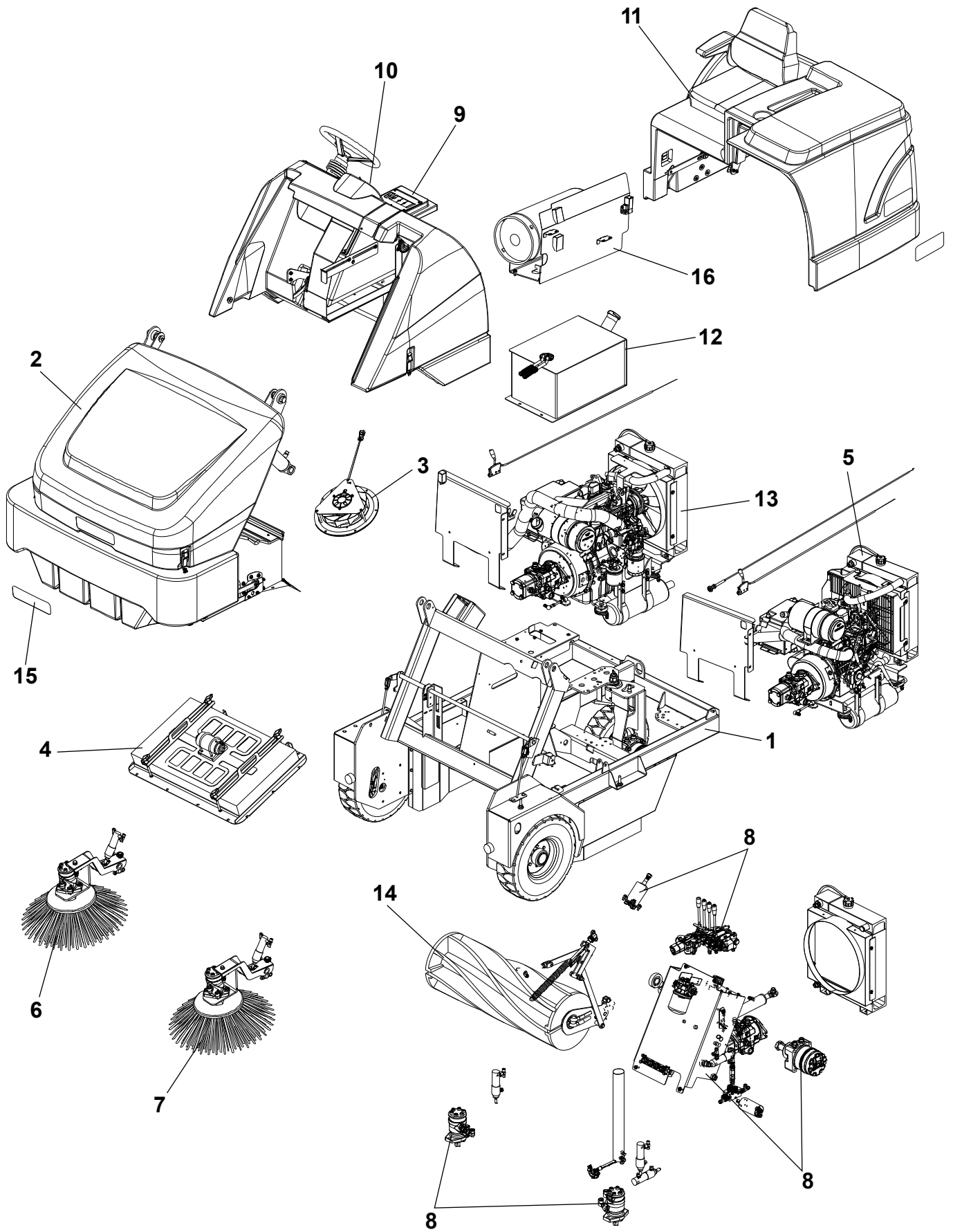
Serial No.

\* = Optional

# = Modified item No. or New item No.

[ ] = Not shown

GENERAL VIEW

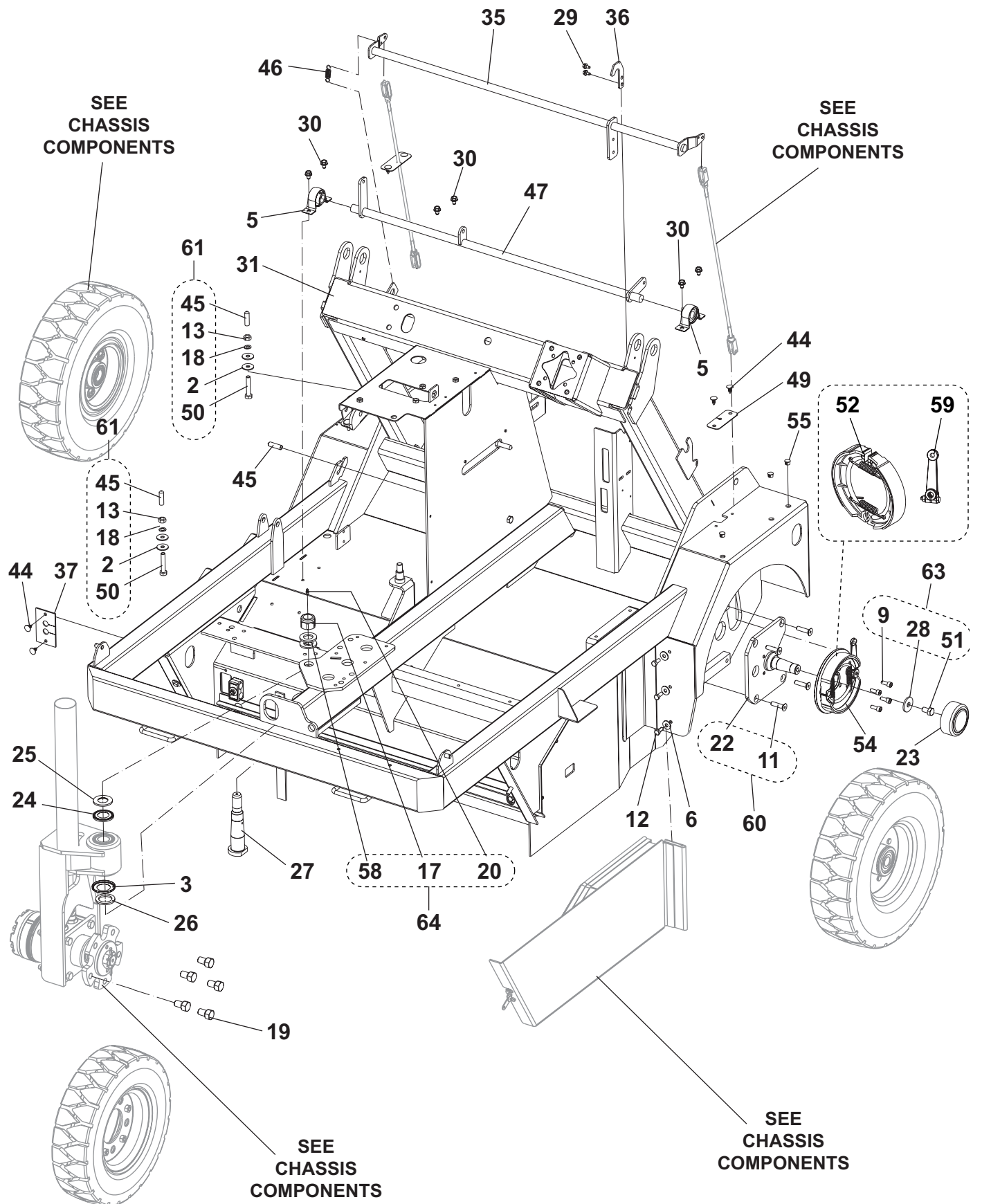




**GENERAL VIEW**

ITEM	REF. NO.	QTY	DESCRIPTION
1		1	CHASSIS ASSEMBLY
2		1	HOPPER SYSTEM
3		1	VAC FAN ASSY
4		1	PANEL ASSY
5		1	ENGINE 3 CYL LPG - GASOLINE ASSY
6		1	RIGHT SIDE BROOM ASSY
7		1	LEFT SIDE BROOM ASSY (OPTIONAL)
8		1	HYDRAULIC PLANT ASSY
9		1	CONTROL ASSY
10		1	CONTROL PANEL AND RELAYS ASSY
11		1	REAR COVER ASSY
12		1	FUEL TANK ASSY
13		1	ENGINE 3 CYL DIESEL ASSY
14		1	MAIN BROOM SYSTEM
15	33020132	1	LABELS KIT PROTERRA™
16		1	LPG ASSY
17		1	ENGINE 3 CYL LPG ASSY

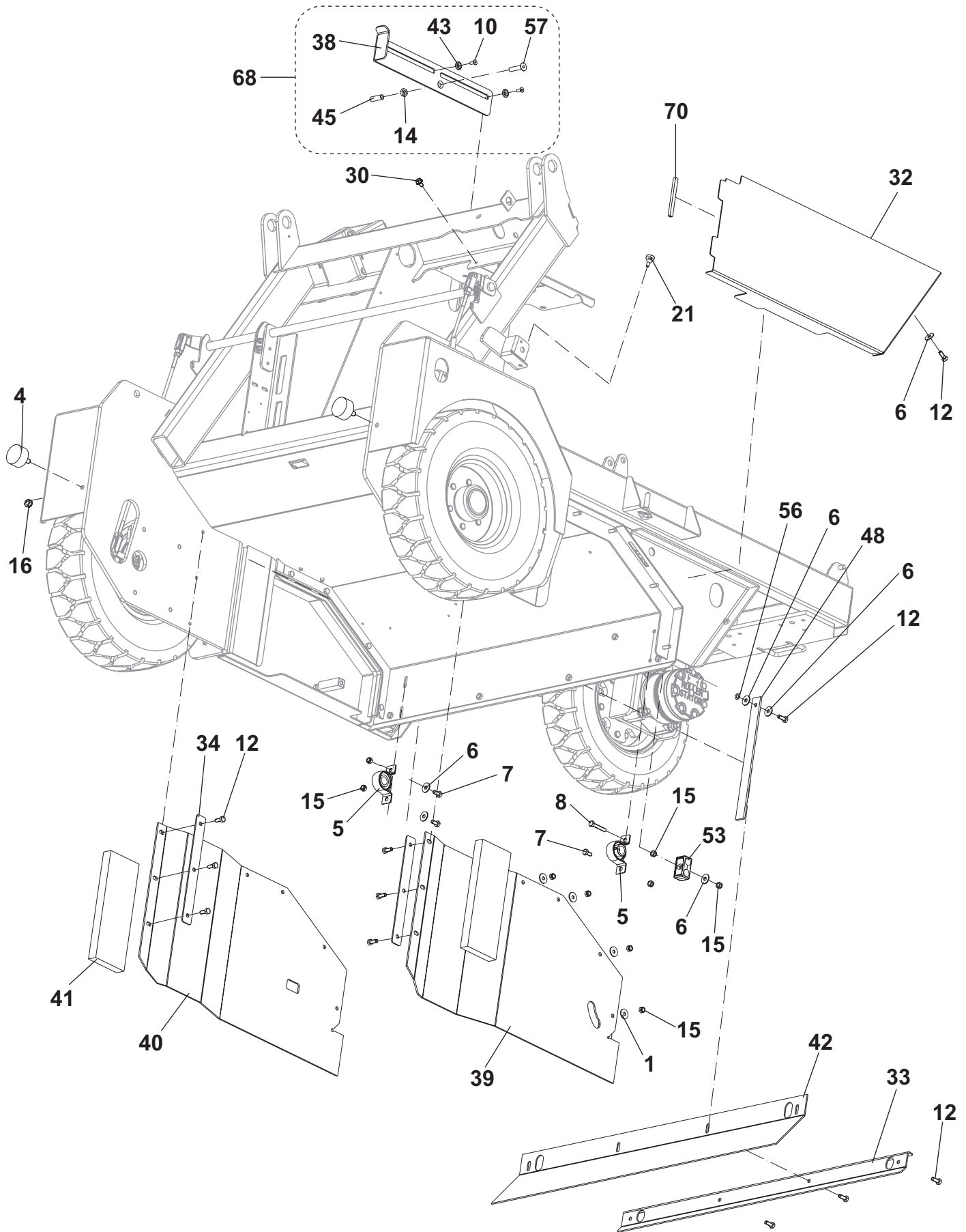
**CHASSIS ASSEMBLY**



**CHASSIS ASSEMBLY**

ITEM	REF. NO.	QTY	DESCRIPTION
1		4	WASHER 8X24 UNI6592
2		4	WASHER 10X30 UNI6592
3	33003125	1	RING NILOS AV
4	33003129	2	VIBRATION -DAMPING
5	33003201	4	SUPPORT SBPP 204
6		9	WASHER 8X24 UNI6593
7		3	SCREW M8X16 UNI5739
8		1	SCREW M8X45 UNI5739
9		8	SCREW M8X20 UNI5931
10		2	SCREW M6X16 UNI5933
11		8	SCREW M10X40 UNI5933
12		15	SCREW M8X20 UNI5739
13		2	NUT HEX M10 UNI5588
14		1	NUT HEX M10 UNI5589
15		9	NUT SELF L. M8 UNI7474
16		2	NUT SELF L. M10 UNI7474
17		1	NUT SELF L. M24X2 UNI7474
18		2	WASHER M10 UNI8842A
19		5	STUD BOLT M 16X1.5
20		1	LUBRICATOR M6
21	33009812	1	PLUG
22		2	SPINDLE
23	33016904	2	CAP
24	33016909	1	RING NILOS AV
25	33016910	1	WASHER UPPER
26	33016911	1	WASHER LOWER
27	33016912	1	PIN DRIVE YOKE PIVOT
28		2	WASHER 12X40X4
29		2	SCREW THREAD ROLLING M6X12
30		10	SCREW THREAD ROLLING M8X12
31	33017055	1	FRAME
32	33017057	1	DOOR LEFT WELDED
33		1	PLATE REAR SEAL
34		2	PLATE SIDE SEAL
35	33017113	1	BAR JOINT BRAKE
36	33017114	1	PLATE BAR JOINT BRAKE
37	33017168	1	FLAP BROOM CHAMBER HOSES
38		1	HOPPER SAFETY STOP
39	33017171	1	FLAP SIDE
40	33017172	1	FLAP SIDE
41	33017173	2	FOAM HOPPER SIDE
42	33017174	1	FLAP REAR BROOM
43		2	BUSH
44		6	RIVET PLASTIC
45		4	CAP VINYL
46	33017199	1	SPRING
47	33017218	1	LINKAGE WELDED THROTTLE
48	33017262	1	STATIC STRAP
49	33017266	2	FLAP WHEEL WELL TOP
50		2	SCREW M10X55 UNI5739
51		2	SCREW M12X20 UNI5739
52	33020206	2	BRAKE LINING AND SPRING ASSY
53	33018539	1	COLLAR DOUBLE D.18
54	33020204	2	DRUM BRAKE ASSY
54	33020205	2	DRUM BRAKE KIT
55		3	PLUG BLACK
56		1	WASHER
57		1	SCREW M10X45 UNI5933
58		2	WASHER M24 UNI6592
59	33022785	2	LEVER BRAKE
60	33018790	1	SUPPORT FRONT WHEEL KIT (ITEM 22-11)

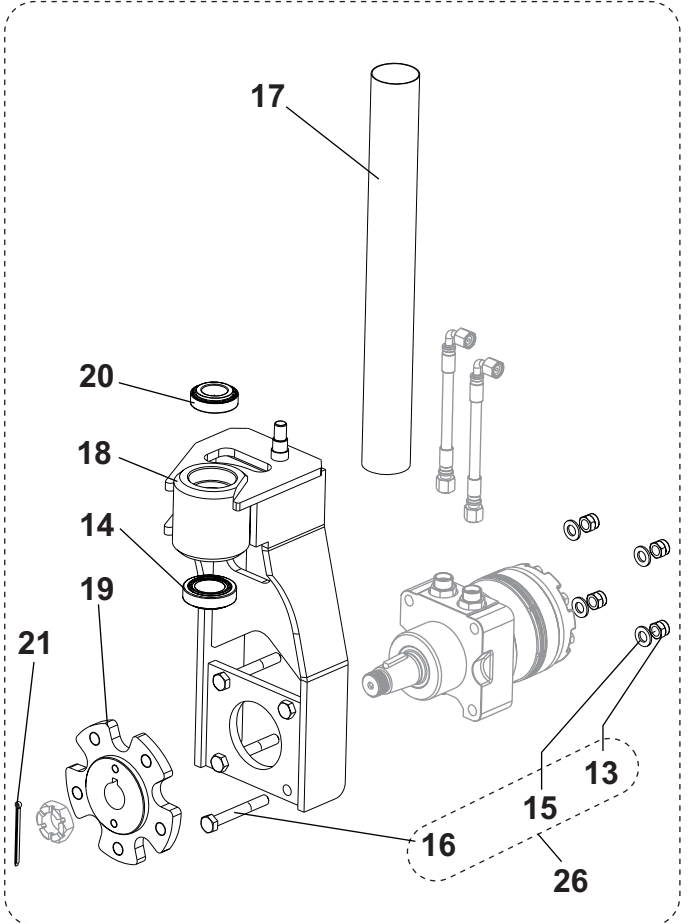
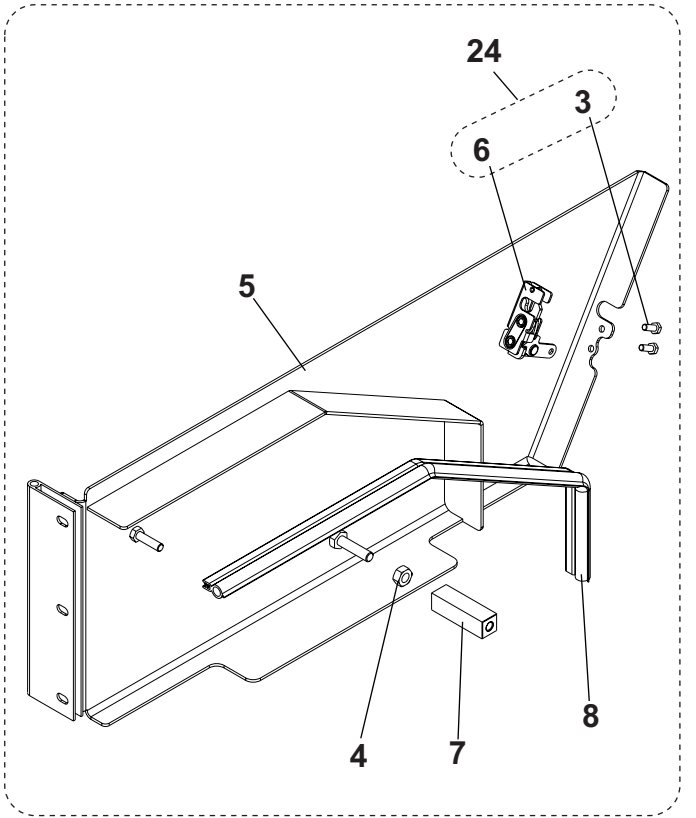
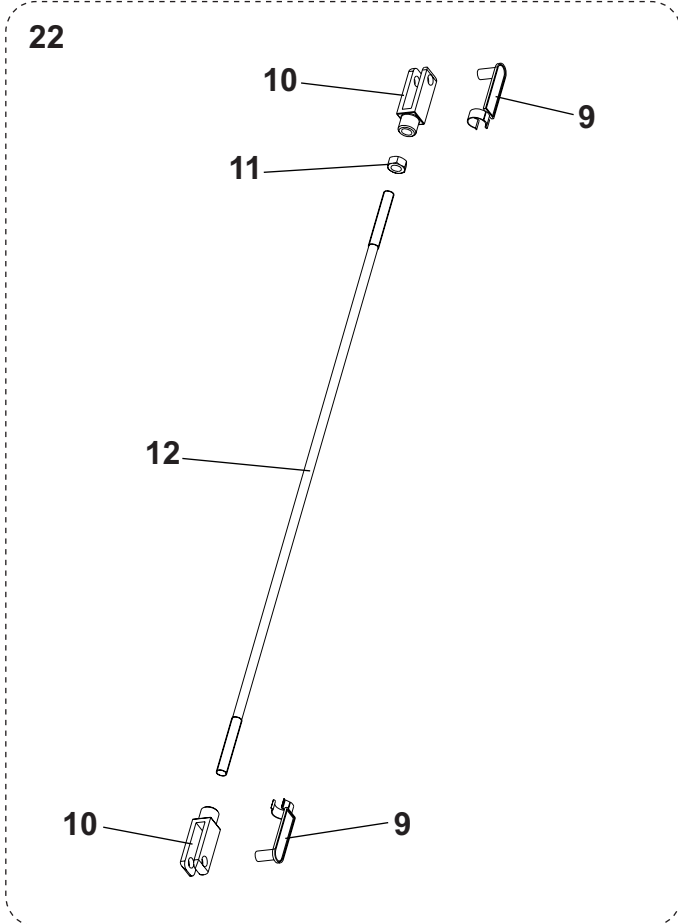
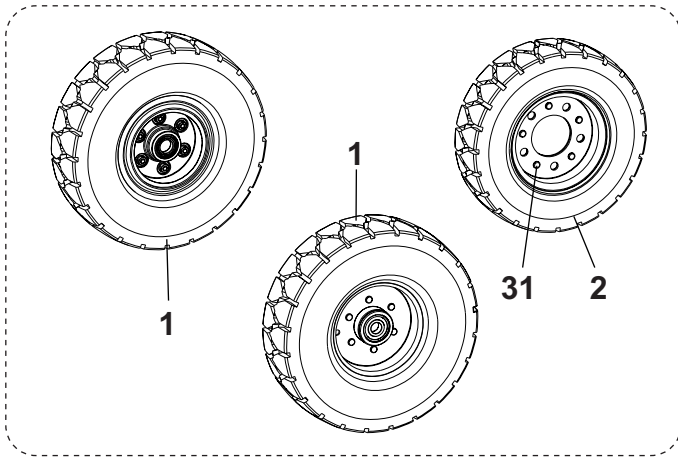
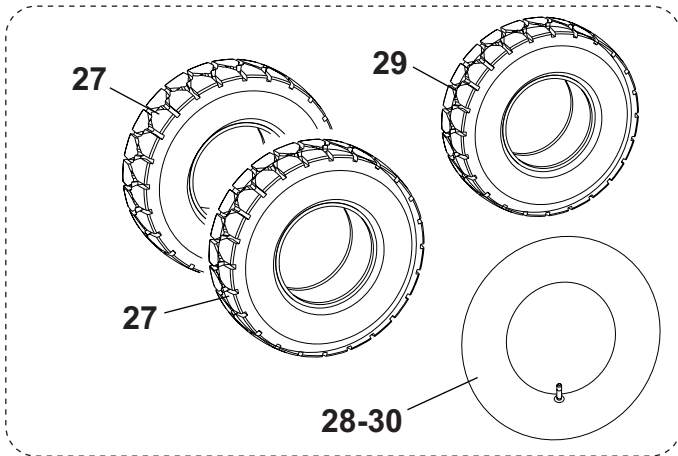
CHASSIS ASSEMBLY



**CHASSIS ASSEMBLY**

	ITEM	REF. NO.	QTY	DESCRIPTION
	61	33020409	1	CENTRING HARDWARE KIT (ITEM 50-45-18-13-2)
	[62]	33020410	1	BRAKE ROD HARDWARE KIT (ITEM 29-44)
	63	33020411	1	FRONT WHEELS SUPPORT HARDWARE KIT (ITEM 9-28-51)
	64	33020412	1	REAR WHEEL PIN HARDWARE KIT (ITEM 58-20-17)
	[65]	33020332	1	CHASSIS HARDWARE KIT (ITEM 3-13-16 SEE PAGE 9 51-50-58-55-45-44-29-28-20-19-18-17-13-12-11-9-6-2)
	[66]	33018791	1	FIXING GASKETS KIT (ITEM 12-33-34-1-15)
	[67]	33020333	1	FLAP HARDWARE KIT (ITEM 16-6-12-15-1)
	68	33019212	1	HOPPER STOP KIT (ITEM 57-45-43-38-14-10)
	[69]	33018866	1	SUPPORT BEARING KIT (ITEM 5-15-8-7-6)
	70	33021180	1	SEAL EDGE PROTECTOR KIT

CHASSIS COMPONENTS

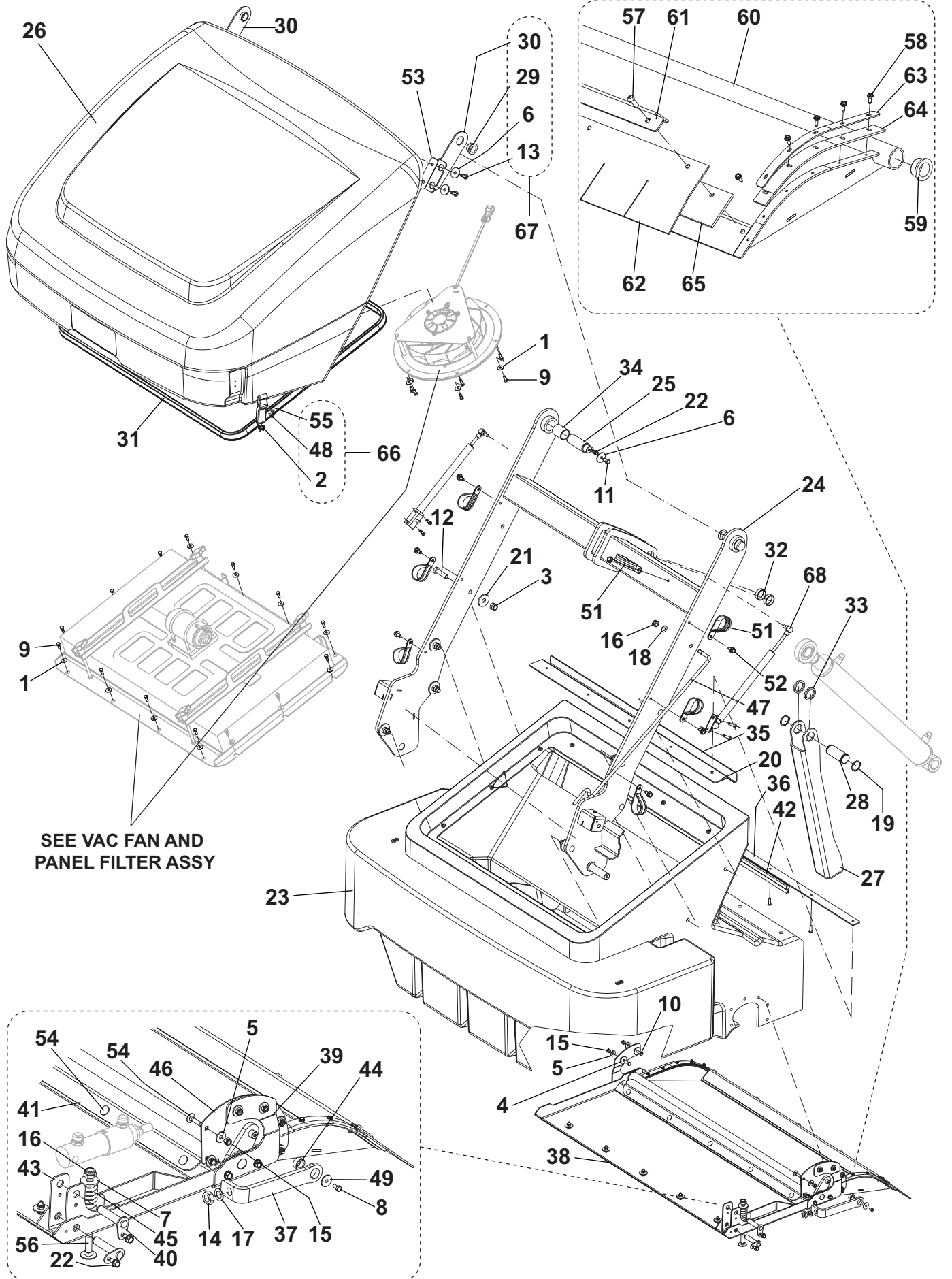


**CHASSIS COMPONENTS**

	ITEM	REF. NO.	QTY	DESCRIPTION
	1	33022518	1	WHEELS PNEUMATIC 5.00/8 KIT
	2	33009649	1	REAR WHEEL 4.00/8
	3		2	SCREW M6X16 UNI5739
	4		1	NUT HEX M10 UNI5588
#	5	33019101	1	HATCH RIGHT KIT (INCLUDED ITEM 12-6 PAG 5)
	6		1	LATCH SLAM
	7	33017128	1	STOP BROOM ARM
	8	33017129	1	STOP BROOM ARM
	9		4	CLIPS M8
	10		4	FORK M8
	11		2	NUT HEX M8 UNI5588
	12		2	ROD
	13		4	NUT SELF L. M12 UNI7473
	14	33003175	1	BEARING 32007
	15		4	WASHER M12 UNI6592
	16		4	SCREW M12X90 UNI5737
	17	33015542	1	SHEATH 90 D56 L 500
#	18	33018792	1	SUPPORT REAR WHEEL KIT (INCLUDED ITEM 13-15-16-21)
	19	33017103	1	HUB REAR WHEEL
	20	145 4691 000	1	BEARING 32006
	21		1	PIN COTTER
	22	33018794	1	CONNECTION BRAKE KIT (ITEM 9-10-11-12)
	24	33018796	1	CLOSING HATCH RIGHT SIDE KIT (ITEM 3-6)
	26	33020413	1	REAR WHEEL HARDWARE KIT (ITEM 19 SEE PAGE 5 13-15-16)
	27	33021738	2	FRONT TYRE 5.00-8
	28	33021739	2	INNER TUBE 5.00-8
	29	33021740	1	REAR TYRE 4.00-8
	30	33009690	1	INNER TUBE 4.00-8
	31A	33022430	15	STUD BOLT M 12X25 COMPLETE
	A:	SEE TSB FC 2014-016		



HOPPER SYSTEM



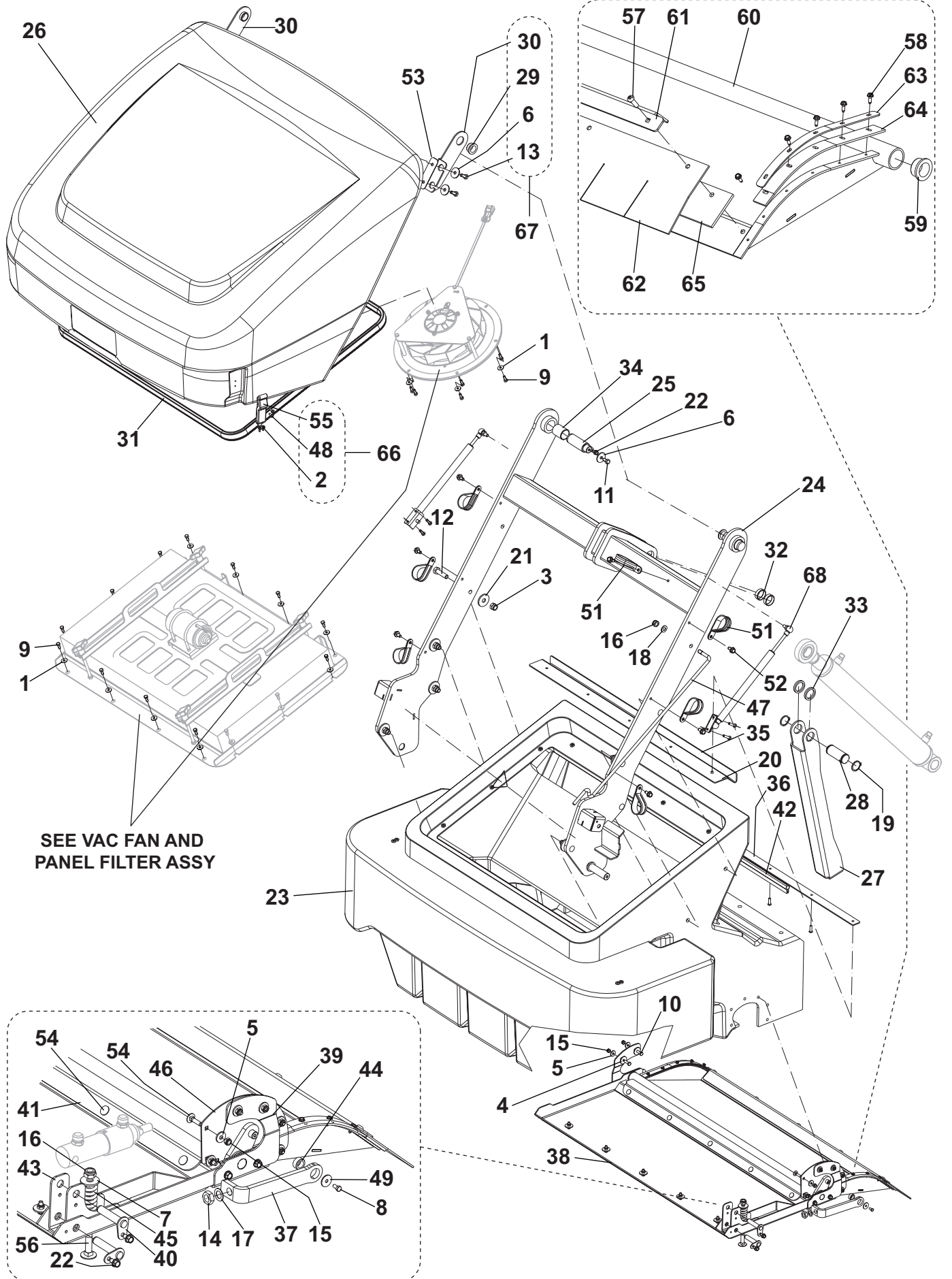
SEE VAC FAN AND  
PANEL FILTER ASSY



**HOPPER SYSTEM**

	ITEM	REF. NO.	QTY	DESCRIPTION
	1		20	WASHER 6X18 UNI6592
	2		4	SCREW M4X12 UNI7687
	3		8	NUT SELF L. M12 UNI7473
	4		7	WASHER 6X24 UNI6593
	5		13	WASHER 6X18 UNI6593
	6		6	WASHER 8X32 UNI6593
	7		1	WASHER 10X30 UNI6593
	8		1	SCREW M5X10 UNI5739
	9		20	SCREW M6X16 UNI5739
	10		2	SCREW M6X20 UNI5739
	11		2	SCREW M8X16 UNI5739
	12		8	SCREW M12X45 UNI5739
	13		4	SCREW M8X20 UNI5739
	14		1	NUT HEX M12 UNI5589
	15		13	NUT SELF L. M6 UNI7474
	16		2	NUT SELF L. M10 UNI7474
	17		1	WASHER M12 UNI8842A
	18		1	WASHER M10 UNI6592
	19		2	RING D 30 UNI7435
	20		5	SCREW M6X20 ISO7380
	21		8	WASHER 12X40X4
	22		8	SCREW THREAD ROLLING
	23	33017058	1	HOPPER
	24	33017059	1	ARM HOPPER
	25	33017060	2	PIN HOPPER PIVOT
	26	33017061	1	COVER HOPPER MOLDED
	27	33017108	1	BAR SECURITY
	28		1	PIN SECURITY BAR
	29		2	BUSH
	30		2	BRACKET HOPPER COVER
	31	33017126	1	SEAL HOPPER COVER L 2930
	32		2	BUSH
	33		2	SPACER
	34		2	BUSH
	35		1	PLATE HOPPER TOP
	36		1	STRAP DOOR PIVOT FLAP
	37	33017137	1	ARM FLAP
	38	33017138	1	PLATE HOPPER BUTTOM
	39	33017139	2	PIN HOPPER DOOR
	40	33017146	2	PIN
	41	33017229	1	PLATE HOPPER FLAP
	42	33017257	1	TRIM EDGE BULB L 900MM
	43		1	CYLINDER BRAKET
	44		1	BEARING
	45	33017287	1	SPRING
	46	33017288	1	PLATE W/BOLTS
	47		1	ROD COVER PROP
	48		4	SCREW 4.8X16 UNI6954
	49		1	WASHER FLAT XL
	51		7	CLAMP HOSE D.45
	52		7	SCREW THREAD ROLLING
	53	33020011	2	PLATE OF CONTRAST
	54		8	SCREW M6X25 UNI5731
	55		2	LATCH
	56		1	SCREW M10X60 UNI5731
	57		10	SCREW M6X20 ISO7380
	58		10	SCREW THREAD ROLLING
	59	33017116	2	BUSH
#	60	33023168	1	HATCH WASTE CONTAINER PKD
	61	33017201	1	SKIRT STRAP DOOR
	62	33017202	1	SKIRT REAR DOOR

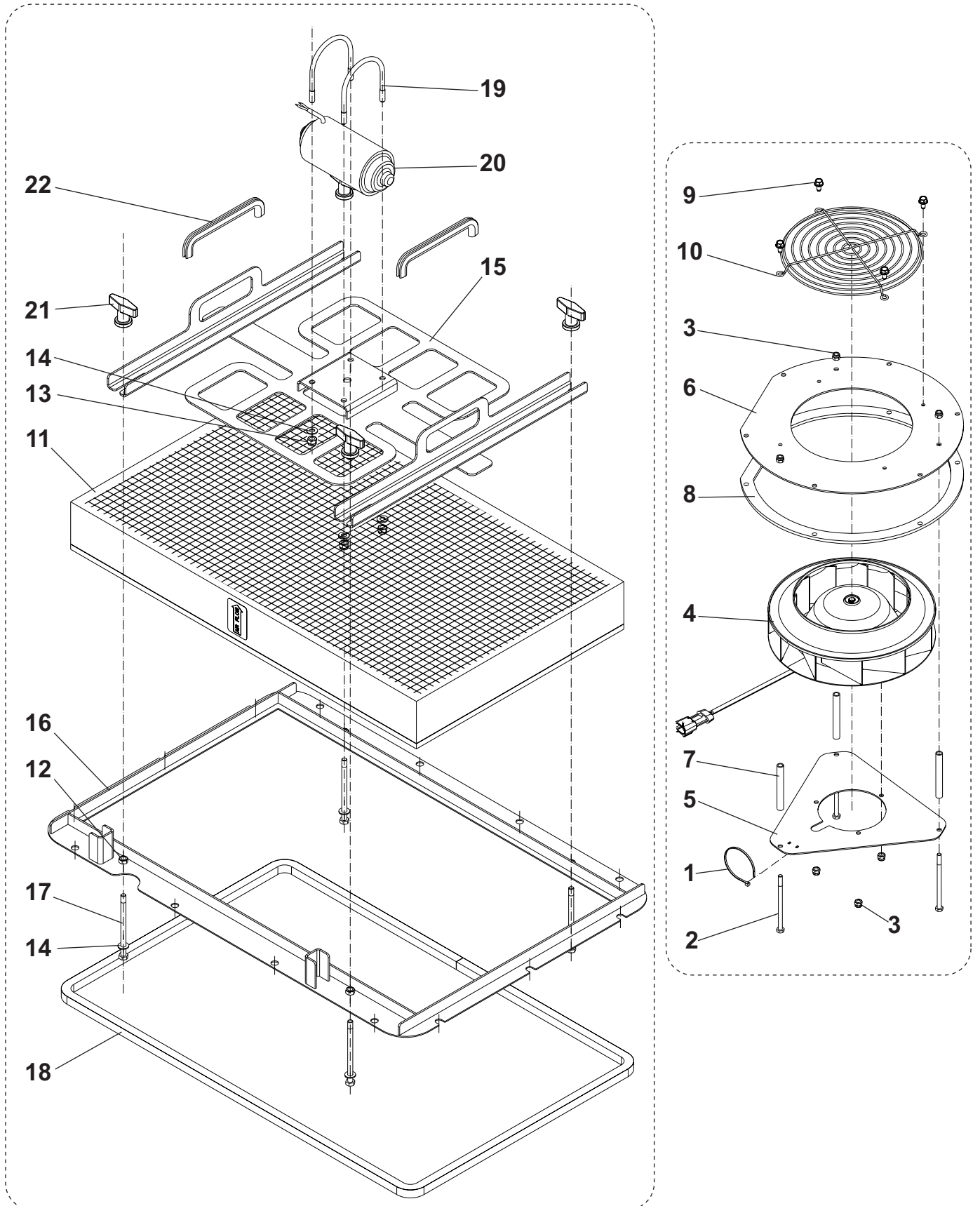
HOPPER SYSTEM



**HOPPER SYSTEM**

	ITEM	REF. NO.	QTY	DESCRIPTION
	63	33017240	2	STRAP DOOR SIDE SKIRT
	64	33017241	2	SKIRT DOOR SIDE
	65		1	GASKET HOPPER DOOR
	66	33018803	1	LATCH KIT (ITEM 55-2-48)
	67	33019115	1	HINGES BONNET KIT (ITEM 13-6-29-30)
	<b>[68]*</b>	<b>33021975</b>	<b>1</b>	<b>GAS SPRING KIT</b>
		33021977	1	INSTRUCTIONS ASSEMBLY
	[69]	33017366	1	HARNESS HOPPER
	[70]	33019116	1	CLAMPS HOSES FIXING KIT (ITEM 50-51-52)
	[71]	33018799	1	PLATE CONTAINER KIT (ITEM 35-36-20)
	[72]	33018800	1	MECHANISM LIFTING KIT (ITEM 7-49-8-14-16-22-37-40-43-44-45-56-17)
#	[73]	33023167	1	SKIRT HATCH CONTAINER KIT (ITEM 15-58-59-60-54-61-62-63-64)
	[74]	33019117	1	GASKETS HATCH KIT (ITEM 64-62-65)
	[75]	33020414	1	HOPPER BOTTOM HARDWARE KIT (ITEM 9-17-15-12-10-5-4-29)
	[76]	33020415	1	HARDWARE SUPPORT KIT (ITEM 1-3-9-13-20-19-29-
	[77]	33020334	1	HOPPER HARDWARE KIT (ITEM 1-29-20-19-17-15-13-12-10-9-5-4-3)
	[78]	33018798	1	HARDWARE LIFTING CONTAINER (ITEM 6-22-25-34-33-32-28-19-11)
	[79]	33018801	1	FIXING ROD CONTAINER (ITEM 47-16-18)

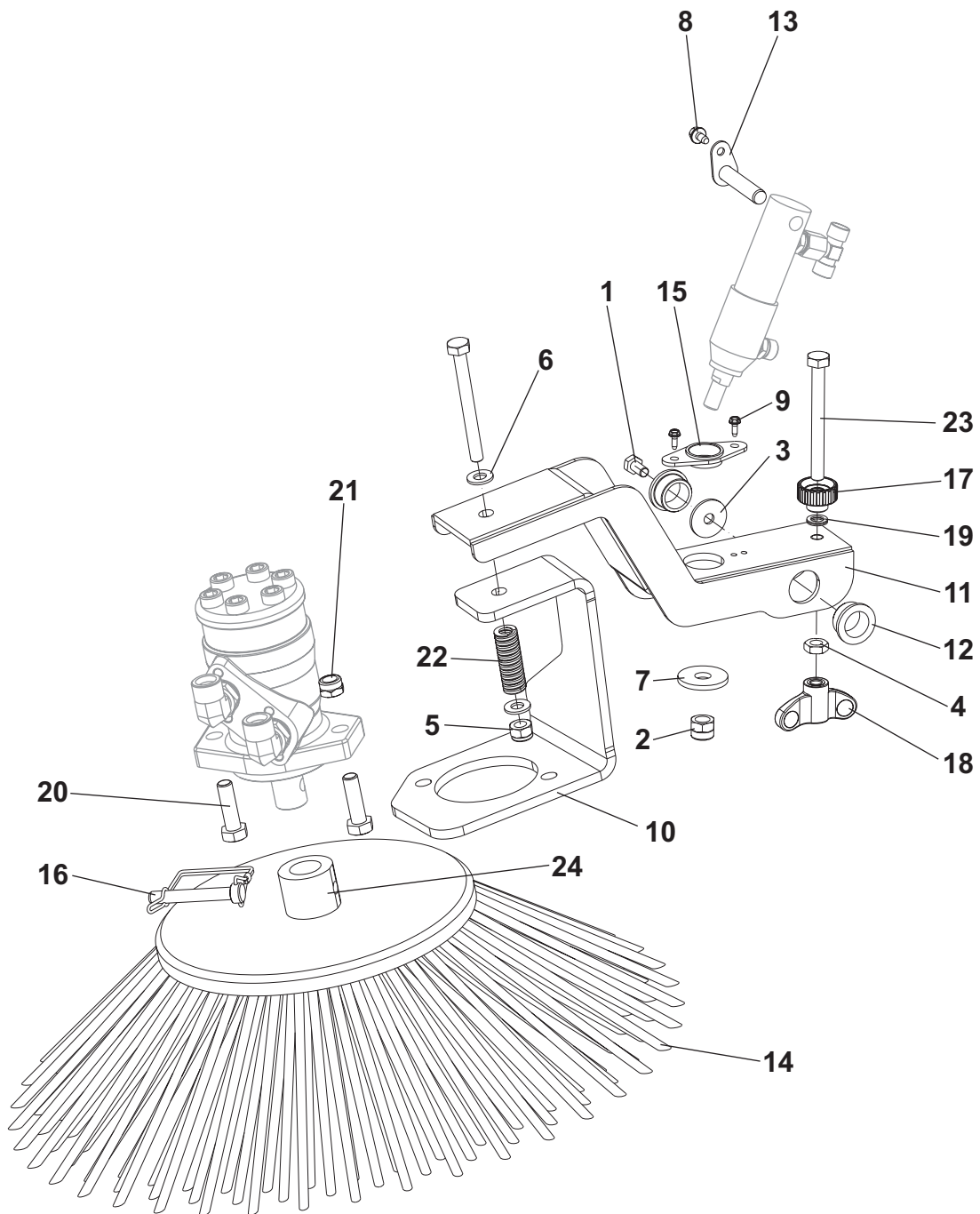
## VAC FAN AND PANEL FILTER ASSY



**VAC FAN AND PANEL FILTER ASSY**

ITEM	REF. NO.	QTY	DESCRIPTION
1		1	CABLE TIE
2		3	SCREW M6X100 UNI5737
3		6	NUT SELF L. M6 UNI7473
4	33015222	1	FAN MOTOR VACUUM 12V (M1)
5		1	SUPPORT
6		1	SUPPORT
7		3	SPACER
8	33016950	1	GASKET
9		4	SCREW THREAD ROLLING
10		1	GRILL
11	8-24-04139-1	1	PANEL FILTER
<b>11*</b>	<b>56382789</b>	<b>1</b>	<b>PANEL FILTER WATER RESISTENT</b>
12		4	NUT SELF L. 5/16"UNC
13		4	NUT SELF L. M8 UNI7473
14		8	WASHER M8 UNI6592
15	33017118	1	PLATE LOCK SHAKER
16	33017119	1	FRAME PANEL FILTER
17		4	SCREW 5/16"X4,5" UNC
18	33018634	1	GASKET FILTER ASSY L 2560
19		2	CLAMP
20	146 1104 000	1	MOTOR FILTER SHAKER 90W (M2)
21	9098257000	4	NUT THUMB SQUEEGEE FIXING
22	33021181	2	SEAL EDGE PROTECTOR KIT
[23]	33018804	1	FIXING ELECTROFAN KIT (ITEM 1-2-3-5-6-7)
[24]	33018805	1	GRILL ELECTROFAN KIT (ITEM 9-10)
[25]	33020335	1	PANEL FILTER HARDWARE KIT (ITEM 19-17-14-13-12)
[26]	33019259	1	ANTISTATIC KIT - TSB IT 2010-046
	33019261	1	INSTRUCTIONS ASSEMBLY

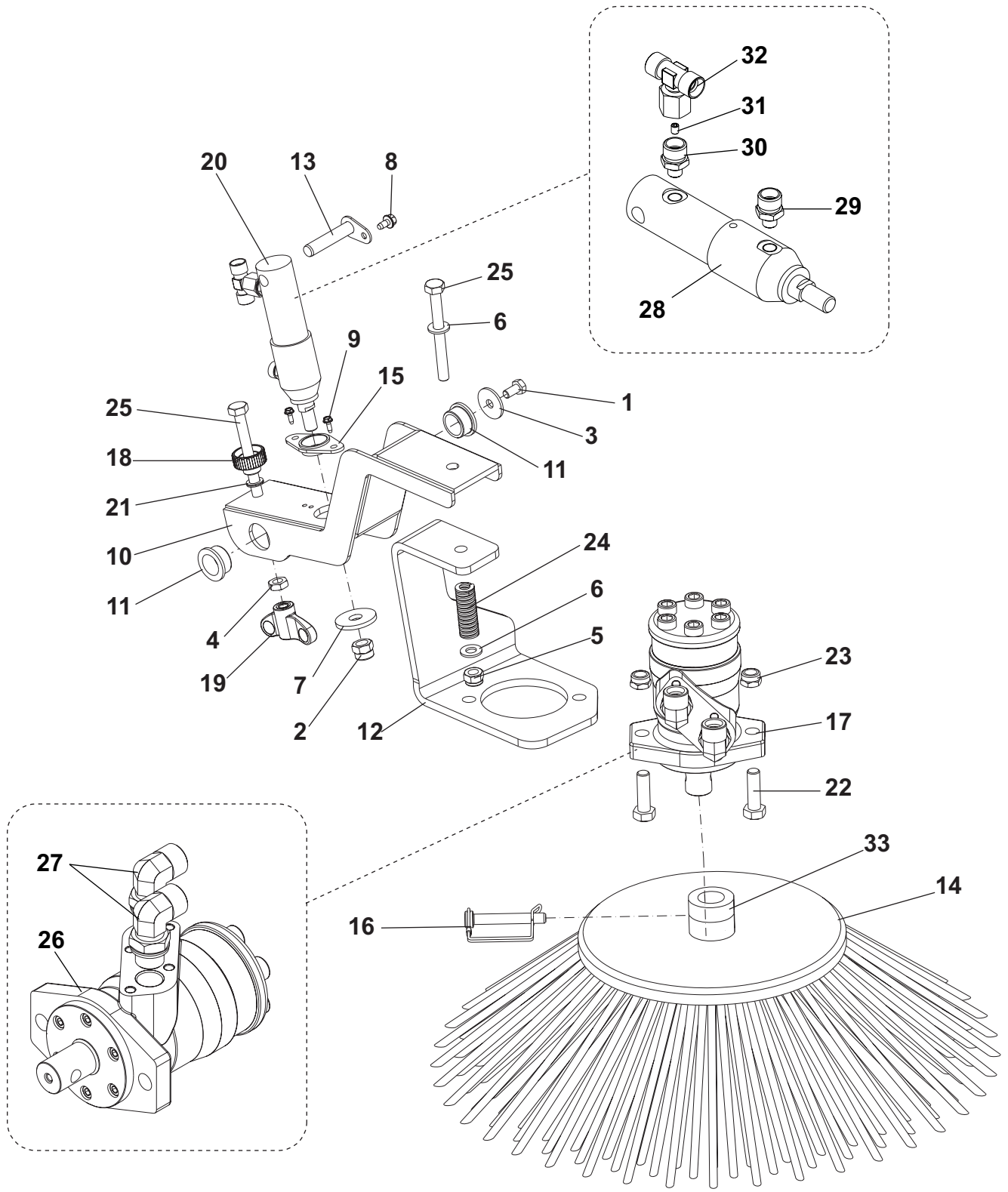
## RT SIDE BROOM ASSY



## RT SIDE BROOM ASSY

ITEM	REF. NO.	QTY	DESCRIPTION
1		1	SCREW M8X16 UNI5739
2		1	NUT SELF L. M12 UNI7473
3		1	WASHER 8X32 UNI6593
4		1	NUT HEX M10 UNI5589
5		1	NUT SELF L. M10 UNI7473
6		2	WASHER M10 UNI6592
7		1	WASHER 12X40X4
8		1	SCREW THREAD ROLLING
9		2	SCREW THREAD ROLLING
10	33017107	1	SUPPORT RIGHT SIDE MOTOR
11	33017115	1	ARM SIDE BRUSH
12		2	BUSH
13		1	PIN
14	33021313	1	SIDE BROOM ATLANTIS PPL
14	33017255	1	BROOM SIDE PPL 1,4-1,7
14*	33018889	1	<b>BROOM SIDE PPL 1,5/STEEL</b>
14*	33018890	1	<b>BROOM SIDE NYLON 0,5</b>
15		1	BUSHING SLIDE FLANGE
16	33022876	1	PIN CLEVIS W/LOOP 8MM
17	33017889	1	KNOB M10
18	33018333	1	NUT WING M10
19		1	WASHER NORD LOCK M10
20		2	SCREW M12X40 UNI5739
21		2	NUT SELF L. M12 UNI7474
22	146 1317 000	1	SPRING
23		2	SCREW M10X100 UNI5739
24	33020628	1	HUB BROOM
[25]	33020336	1	SUPPORT HARDWARE KIT (ITEM 23-21-20-22-6-5-4)
[26]	33020337	1	SIDE BROOM CYLINDER HARDWARE KIT (ITEM 15-13-9-8-7-2)
[27]	33020338	1	SETTING SIDE BROOM HARDWARE KIT (ITEM 23-19-18-17-7-1-3-12)

### LT SIDE BROOM ASSY

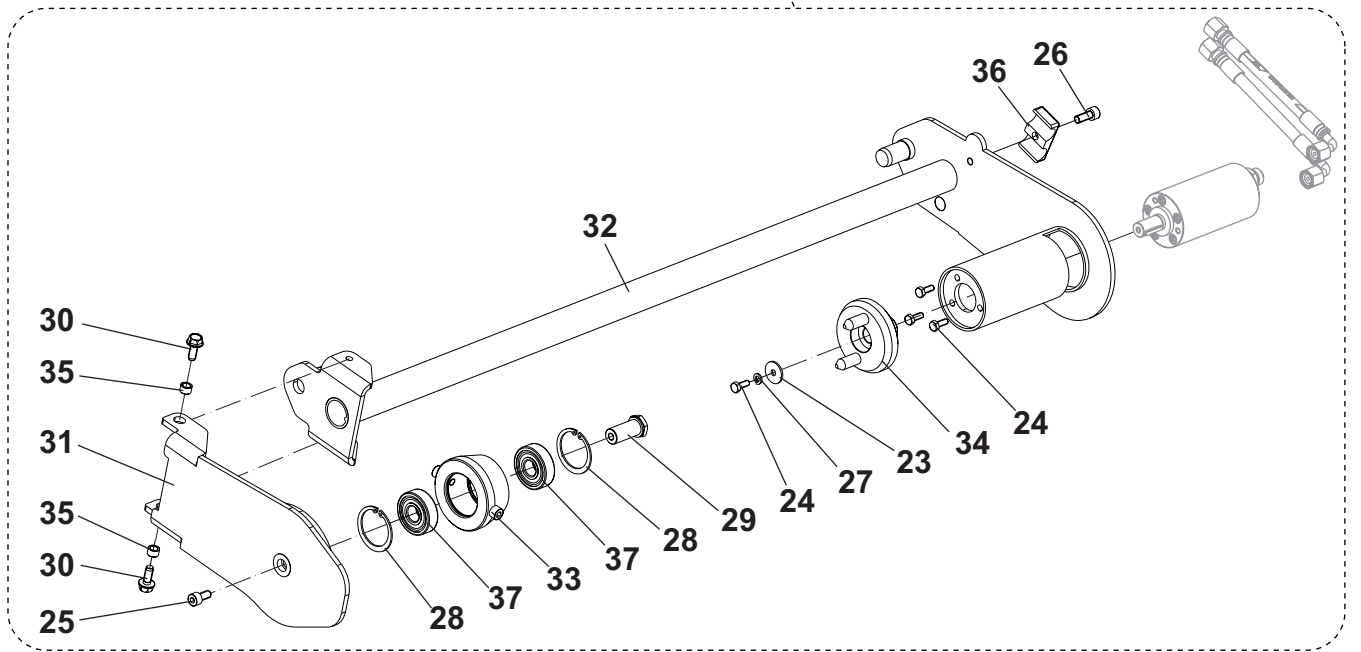
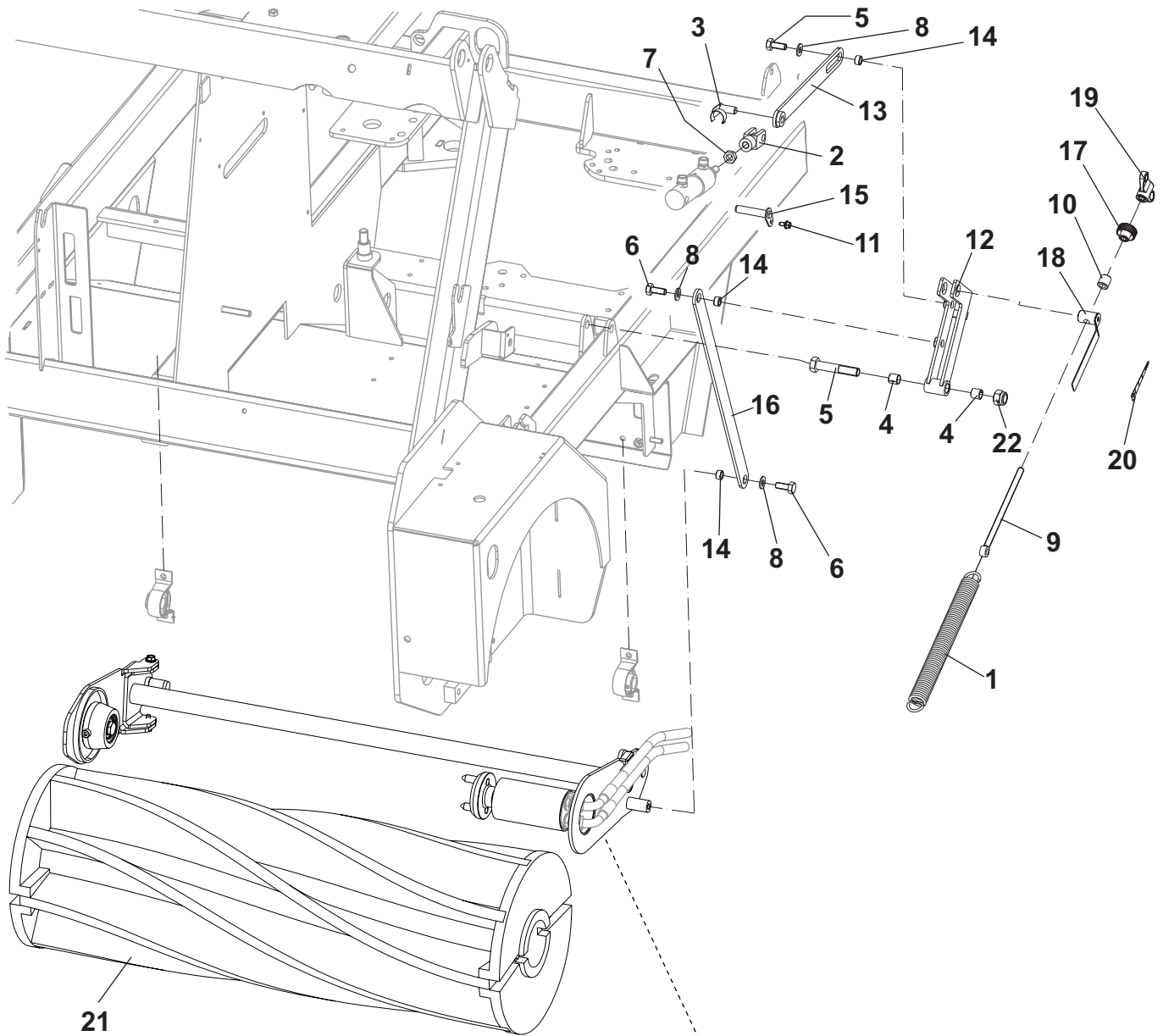




## LT SIDE BROOM ASSY

ITEM	REF. NO.	QTY	DESCRIPTION
1		1	SCREW M8X16 UNI5739
2		1	NUT SELF L. M12 UNI7473
3		1	WASHER 8X32 UNI6593
4		1	NUT HEX M10 UNI5589
5		1	NUT SELF L. M10 UNI7473
6		2	WASHER M10 UNI6592
7		1	WASHER 12X40X4
8		1	SCREW THREAD ROLLING
9		2	SCREW THREAD ROLLING
10	33017115	1	ARM SIDE BRUSH
11		2	BUSH
12	33017117	1	SUPPORT LEFT SIDE MOTOR
13		1	PIN
14	33021313	1	SIDE BROOM ATLANTIS PPL
14	33017255	1	BROOM SIDE PPL 1,4-1,7
<b>14*</b>	<b>33018889</b>	<b>1</b>	<b>BROOM SIDE PPL 1,5/STEEL</b>
<b>14*</b>	<b>33018890</b>	<b>1</b>	<b>BROOM SIDE NYLON 0,5</b>
15		1	BUSHING SLIDE FLANGE
16	33022876	1	PIN CLEVIS W/LOOP 8MM
17	33018807	1	MOTOR SIDE BROOM KIT
18	33017889	1	KNOB M10
19	33018333	1	NUT WING M10
20	33021766	1	LEFT SIDE BROOM CYLINDER KIT (ITEM 28-29-30-31-32)
21		1	WASHER NORD LOCK M10
22		2	SCREW M12X40 UNI5739
23		2	NUT SELF L. M12 UNI7474
24	146 1317 000	1	SPRING
25		2	SCREW M10X100 UNI5739
26	33017003	1	MOTOR SIDE BROOM
27	33015874	2	ELBOW 90 M1/2
28	33021255	1	MICRO CYLINDER
*	33022009	1	GASKET MICRO CYLINDER
29	33018375	1	FITTINGS 1/8"
30	33018222	1	FITTING 1/8
31	33018215	1	DOWEL M5X6 DIAM 0,5
32	146 0507 000	1	PIPE FITTING T D.10
33	33020628	1	HUB BROOM
<b>[34]*</b>	<b>33019173</b>	<b>1</b>	<b>LEFT SIDE BROOM KIT</b>
	33018767	1	INSTRUCTIONS ASSEMBLY
[36]	33020336	1	SUPPORT HARDWARE KIT (ITEM 25-23-21-22-6-5-4)
[37]	33020337	1	SIDE BROOM CYLINDER HARDWARE KIT (ITEM 15-13-9-8-7-2)
[38]	33020338	1	SETTING SIDE BROOM HARDWARE KIT (ITEM 23-19-18-7-1-3-11)
[39]	33020754	1	GASKETS HYDRAULIC MOT.KIT FOR 33017003 (ITEM 26)

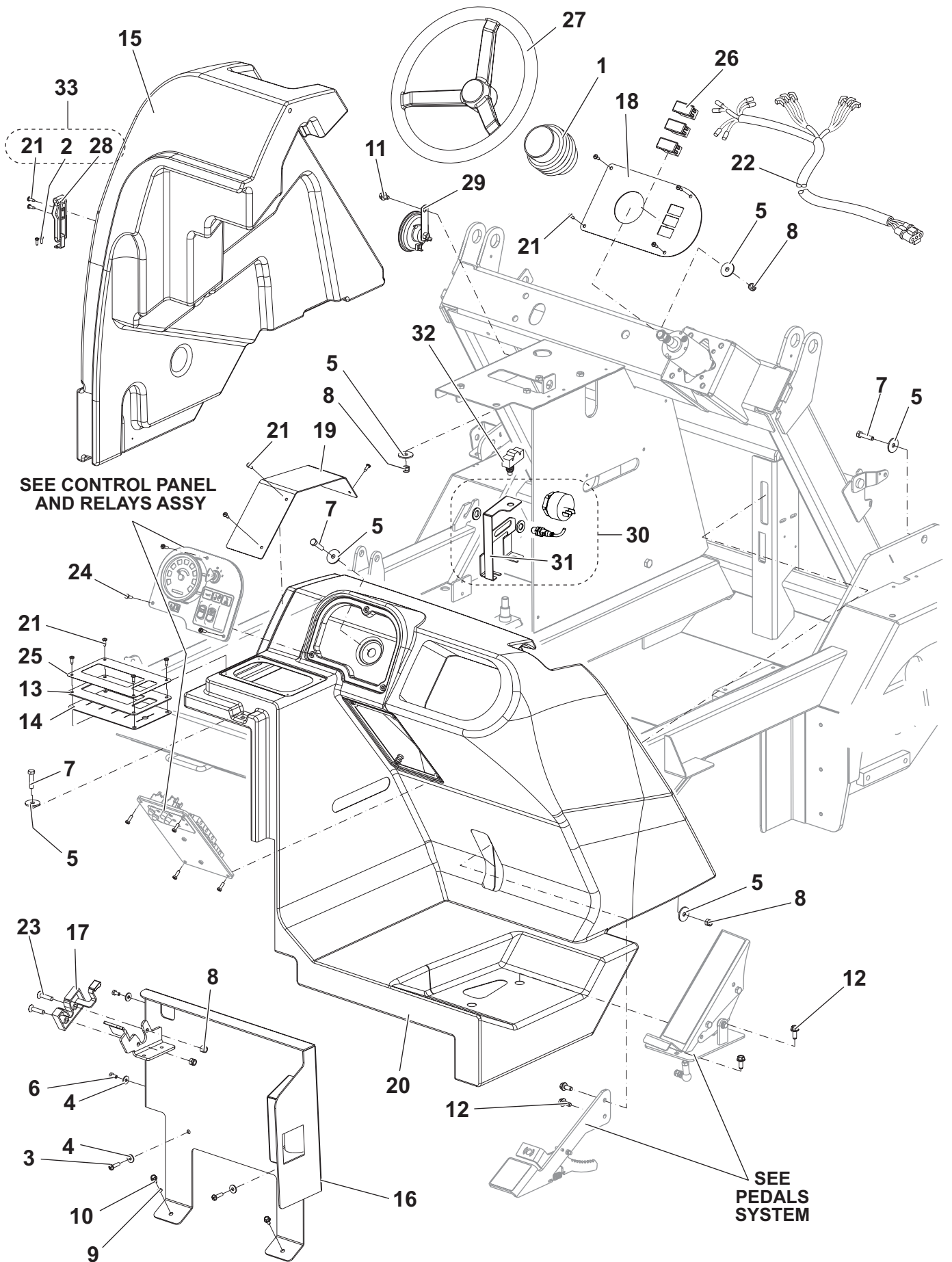
### MAIN BROOM SYSTEM



**MAIN BROOM SYSTEM**

ITEM	REF. NO.	QTY	DESCRIPTION
1	33002106	1	SPRING MAIN BROOM
2		1	FORK M12
3		1	CLIP 12
4		2	BUSHING DU 14X16X15
5		1	SCREW M14X70 UNI5737
6		3	SCREW M10X25 UNI5739
7		1	NUT HEX M12 UNI5589
8		3	WASHER M10 UNI6592
9		1	TIE ROD M10 L170
10		1	SPACER D11 H18
11		1	SCREW THREAD ROLLING
12		1	LEVER WELDED
13		1	CABLE
14		3	SPACER
15		1	PIN
16		1	BAR
17		1	KNOB M10
18		1	PIN LEVER MAIN BROOM
19		1	NUT WING M10
20		1	DECAL PRESSURE MAIN BROOM
21	33018858	1	BROOM MAIN SPIRAL PPL 0.5 WHITE NAVY/STEEL 0.36
<b>21*</b>	<b>33018856</b>	<b>1</b>	<b>BROOM MAIN SPIRAL NYLON 1.2</b>
<b>21*</b>	<b>33018857</b>	<b>1</b>	<b>BROOM MAIN SPIRAL PPL 0.5 WHITE NAVY</b>
<b>21*</b>	<b>33018859</b>	<b>1</b>	<b>BROOM MAIN SPIRAL UNION MIX</b>
22		1	NUT SELF L. M14 UNI7473
23		1	WASHER 6X24 UNI6593
24		4	SCREW M6X16 UNI5739
25		1	SCREW M8X16 UNI5931
26		1	SCREW M8X20 UNI5931
27		1	WASHER M6 UNI1751B
28		2	RING D 47 UNI7437
29		1	PIN
30		2	SCREW THREAD ROLLING
31	33017007	1	BROOM ARM WELDED
32	33017019	1	SUPPORT WELDED
33	33017140	1	MAIN BROOM IDLE HUB
34	33017141	1	HUB
35		2	SPACER
36		1	COLLAR DOUBLE D.18
37		2	BEARING 6303 2RS
[38]	33018871	1	SUPPORT MOTOR KIT (ITEM 30-31-32-35-26-36)
[39]	33018870	1	BALL BEARING KIT (ITEM 37-23-24-25-27-28-29-33-34)
[40]	33018865	1	PLATE MAIN BROOM KIT (ITEM 2-3-6-8-7-15-13-14-11)
[41]	33018868	1	LEVER WELDED KIT (ITEM 12-22-5-4)
[42]	33018867	1	ROD SPRING KIT (ITEM 9-10-17-18-19-20)
[43]	33018869	1	ROD LEVER KIT (ITEM 16-6-8-14)

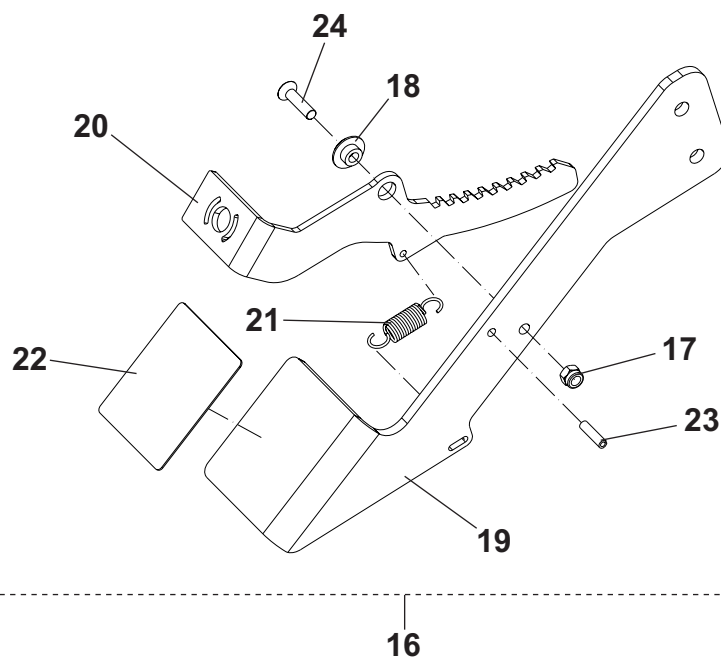
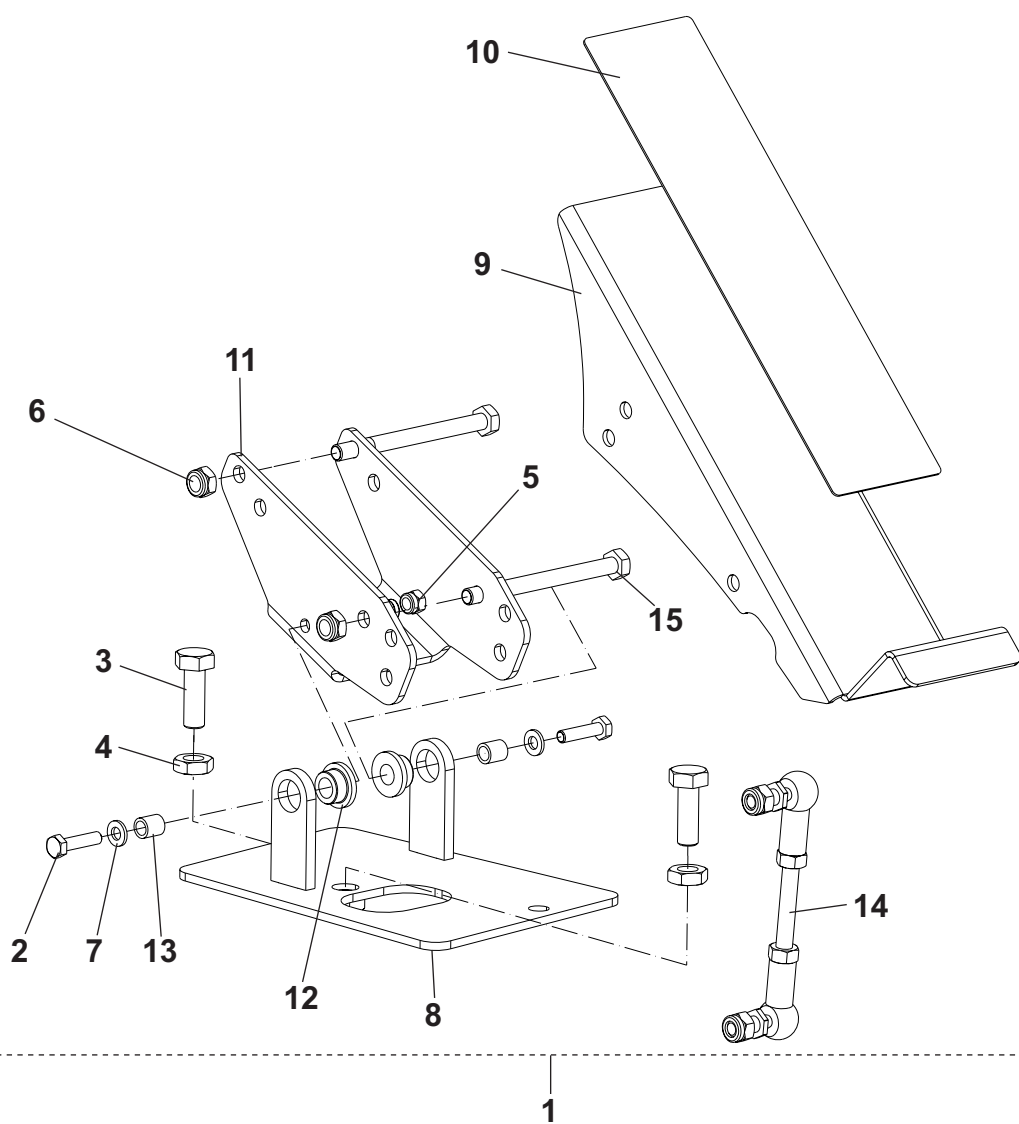
ASSY CONTROL



## ASSY CONTROL

	ITEM	REF. NO.	QTY	DESCRIPTION
	1	8-33-02360	1	HOLE HEAT SHIED
	2		2	SCREW M4X12 UNI7687
	3		2	SCREW 6X25
	4		4	WASHER 6X18 UNI6593
	5		6	WASHER 8X32 UNI6593
	6		2	SCREW M6X12 UNI5739
	7		3	SCREW M8X35 UNI5739
	8		5	NUT SELF L. M8 UNI7473
	9		1	WASHER M6 UNI8842A
	10		2	SCREW THREAD ROLLING
	11		1	SCREW THREAD ROLLING
	12		4	SCREW THREAD ROLLING
	13	33017163	1	PLATE
	14	33017164	1	FLAP LEVER COVER
	15	33017169	1	COVER SIDE ROTOMOLD
	15	33021154	1	WATER TANK KIT
	16	33017175	1	PLATE REAR COVER LATCH
	17	33017176	1	LATCH SLAM
	18	33017224	1	COVER PLATE NON TILT
	19	33017246	1	PLATE
	20	33017256	1	CONSOLE
	21		13	SCREW 4.8X16 UNI6954
	22	33017355	1	HARNES MAIN ENGINE VERSION
	23		2	SCREW M8X35 UNI5933
	24		7	SCREW M5X16 UNI7687
	25	33017379	1	DECAL MANIFOLD DIESEL
	26	909 5836 000	3	CAP
	27	33018170	1	STEERING WHEEL
	28		1	LATCH
	29	145 3801 000	1	HORN 12V (HN)
	30A	33022642	1	KIT BUZZER BATTERY (BZ1)
		33019168	1	INSTRUCTIONS ASSEMBLY
#	31A	33022403	1	BRACKET FOR SENSOR ENGINE VERSION
	32	33010427	1	MICROSWITCH (SW4)
	33	33018803	1	LATCH KIT (28-2-21)
	[34]	33020341	1	CONTROL LEFT HARDWARE KIT (ITEM 21-12-11-8-7-5-2)
	[35]	33018861	1	BLOCK BONNET KIT (ITEM 16-12-9-22-24-3 SEE PAGE 29 17-23)
	[36]	33020342	1	CONTROL RIGHT HARDWARE KIT (ITEM 24-23-21-12-10-9-8-7-6-5-4-3-11)
	A:	UP TO S/N 3810134500024 - CODE 33022405 NO MORE AVAILABLE SEE TSB FC 2013-148		

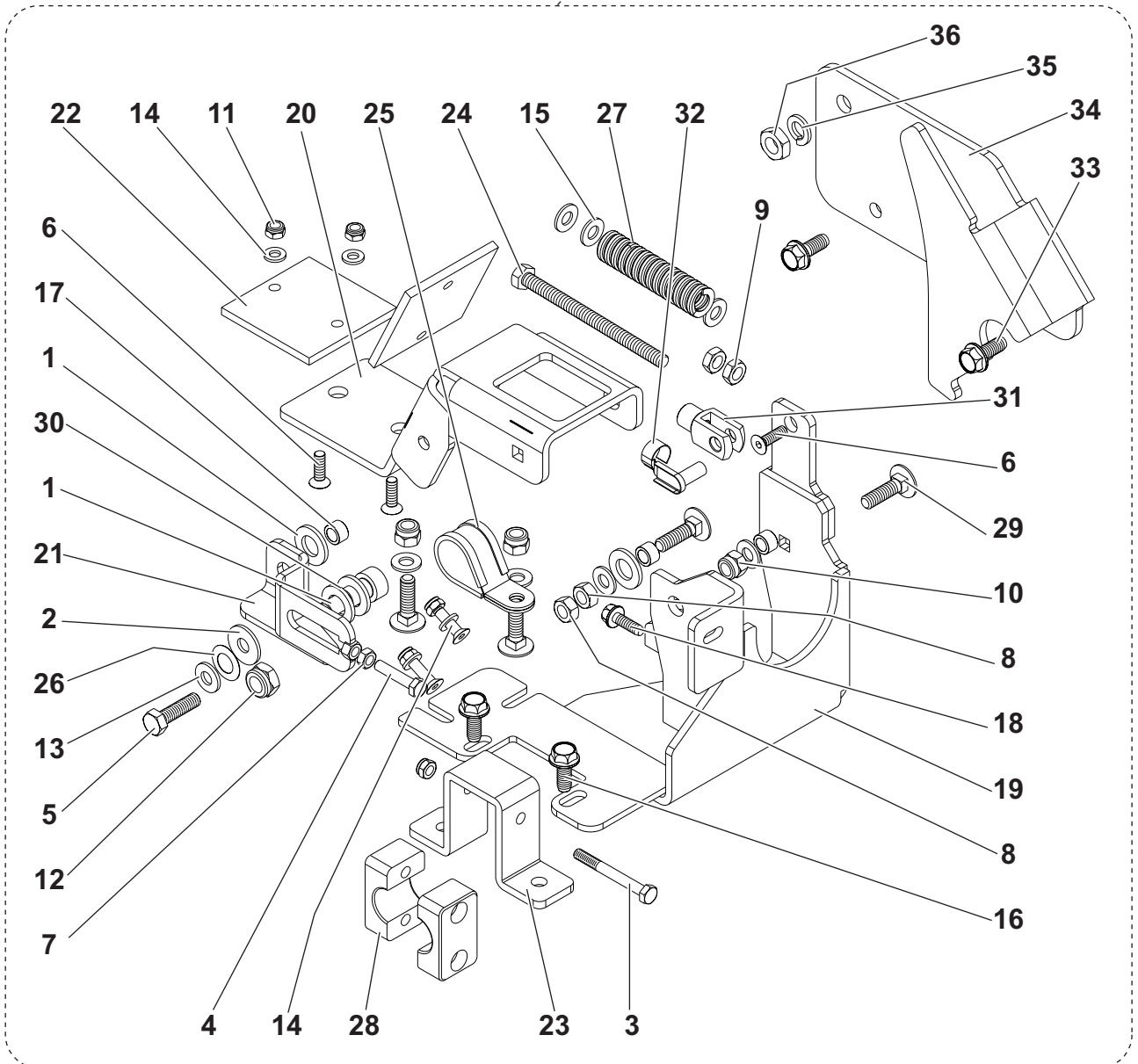
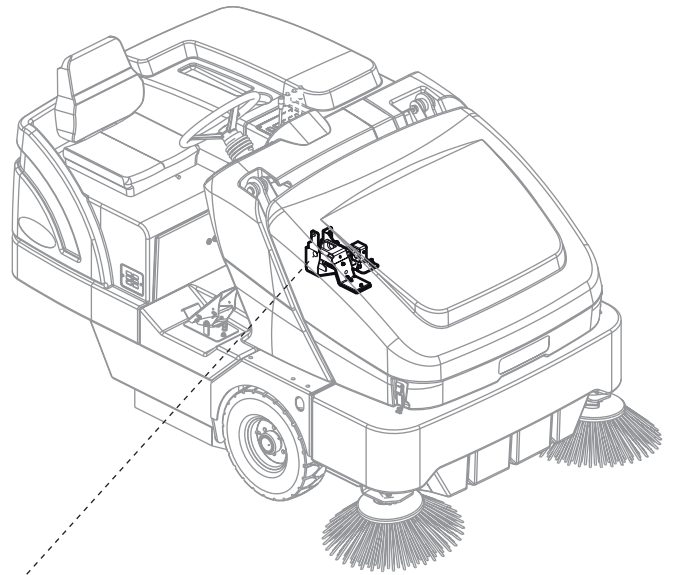
## PEDALS SYSTEM



**PEDALS SYSTEM**

	ITEM	REF. NO.	QTY	DESCRIPTION
	1	33018841	1	FOOT PEDAL UPPER KIT (ITEM 2-3-4-5-6-7-8-9-10-11-12-13-14-15-25)
	2		2	SCREW M6X25 UNI5739
	3		1	SCREW HEX M10X35 UNI5739
	4		2	NUT HEX M10 UNI5589
	5		2	NUT SELF L. M6 UNI7473
	6		2	NUT SELF L. M8 UNI7474
	7		2	WASHER M6 UNI6592
	8	33017203	1	MOUNT WELDED PEDAL
	9	33017204	1	FOOT PEDAL UPPER
	10	33017205	1	MAT PEDAL
	11	33017206	1	FOOT PEDAL LOWER
	12	33017216	2	BEARING
	13	33017217	2	BUSHING
	14	33018842	1	CONNECTION PEDAL KIT (ITEM 26-27-28-29)
	15		2	SCREW M8X95 UNI5737
	16	33018845	1	PEDAL BRAKE KIT (ITEM 17-18-19-20-21-22-23-24)
	17		1	NUT SELF L. M6 UNI7473
	18	33017178	1	BUSH
	19	33017197	1	PEDAL BRAKE
	20	33017198	1	PARKING BRAKE LEVER
	21	33017199	1	SPRING
	22	33017259	1	MAT PEDAL
	23		1	PIN SPRING 5X20
	24		1	SCREW M6X25 UNI5933
	[25]	33020416	1	PEDAL WARDWARE KIT (ITEM 13-12-7-6-5-4-3-2)
	[26]		2	NUT HEX M8 UNI5588
	[27]		2	DADO AUTOB M8
	[28]		1	BARRA FILETTATA
	[29]		2	JOINT BALL M8

### ASSY SPEED LIMITING

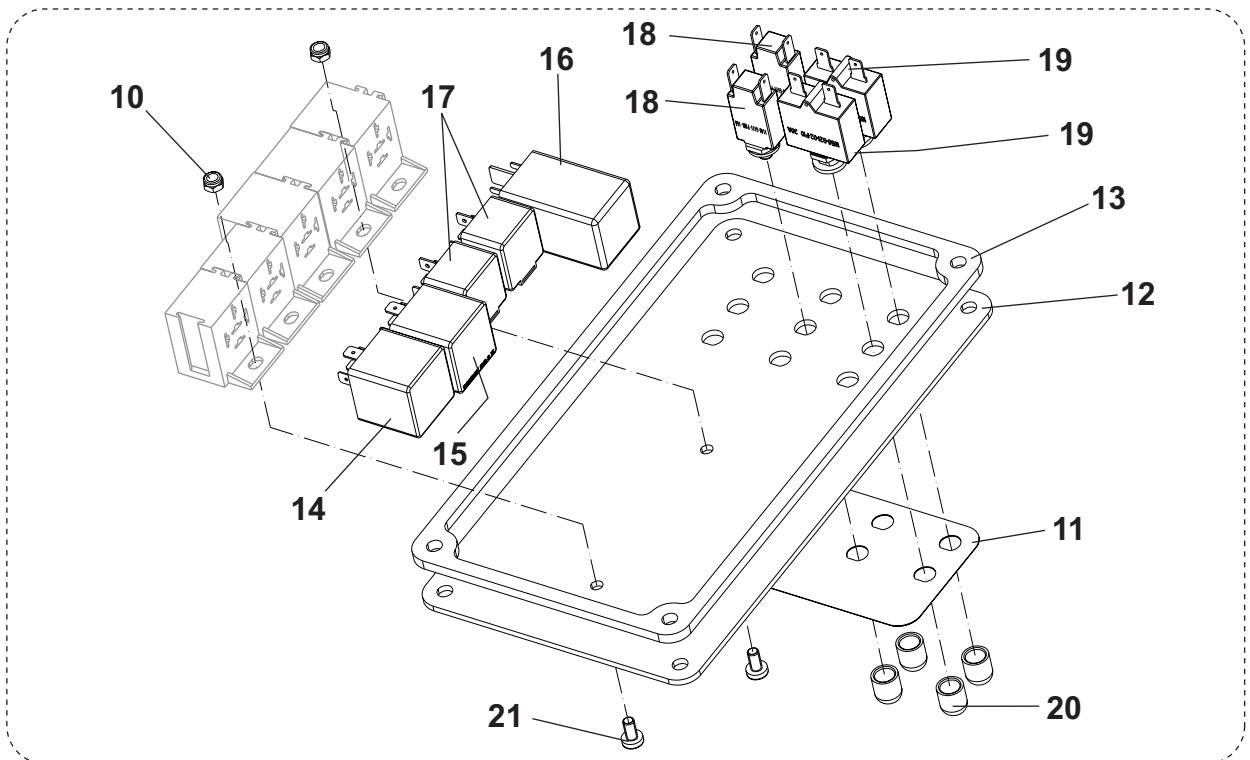
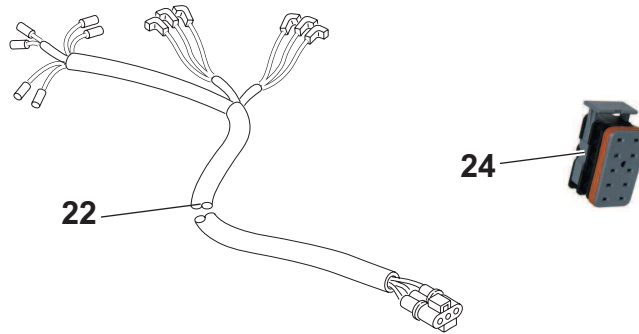
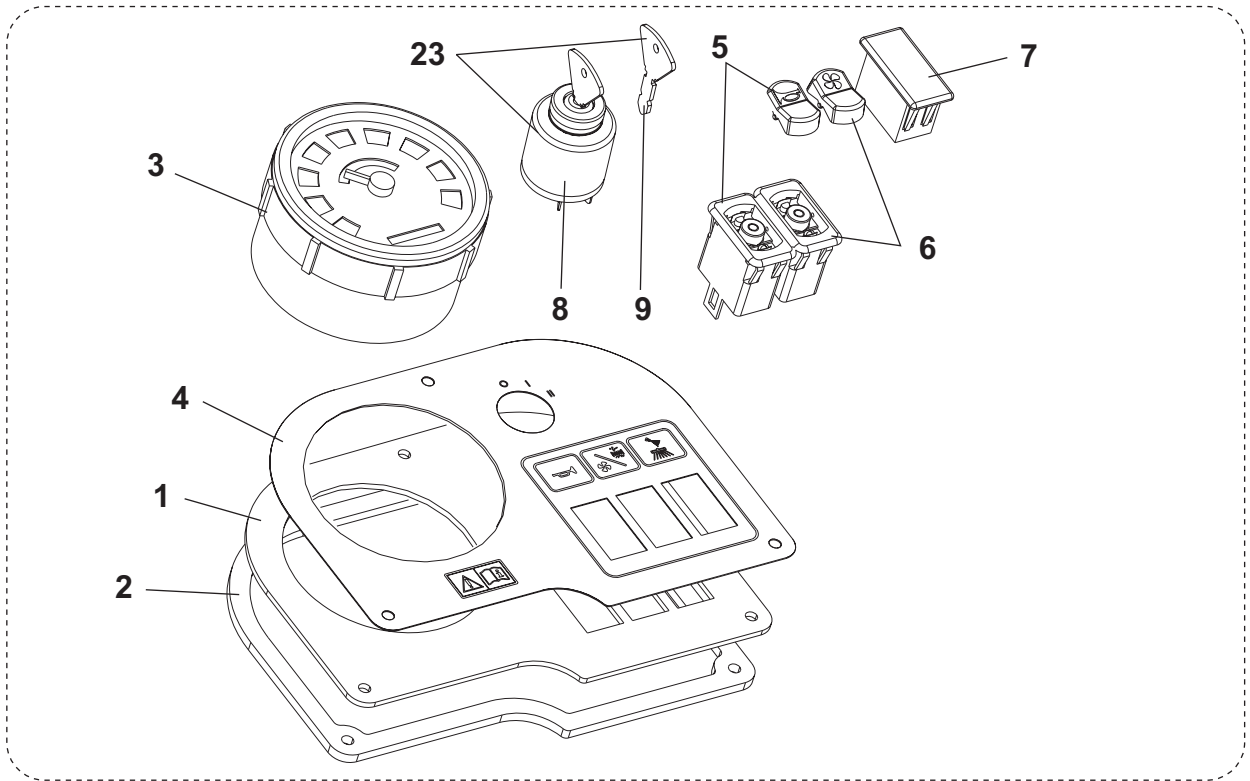




**ASSY SPEED LIMITING**

ITEM	REF. NO.	QTY	DESCRIPTION
1		4	WASHER M12 UNI6592
2		1	WASHER 8X24 UNI6593
3		1	SCREW M6X55 UNI5737
4		1	SCREW M6X30 UNI5739
5		1	SCREW M8X30 UNI5739
6		5	SCREW M6X20 UNI5933
7		1	NUT HEX M6 UNI5588
8		2	NUT HEX M8 UNI5588
9		2	NUT HEX M8 UNI5589
10		3	NUT SELF L. M8 UNI7473
11		5	NUT SELF L. M6 UNI7474
12		1	NUT SELF L. M10 UNI7474
13		1	WASHER M8 UNI8836
14		4	WASHER M6 UNI6592
15		7	WASHER M8 UNI6592
16		2	SCREW THREAD ROLLING
17		3	SPACER
18		1	SCREW THREAD ROLLING
19	33019995	1	BASE SPEED LIMITING
20	33019996	1	LEVER SPEED LIMITING
21	33019997	1	LEVER ADJUSTER
22	33019998	2	PLATE FOR SPEED LIMITING
23	33020212	1	SUPPORT COLLAR
24		1	SCREW M8X110 UNI5739
25	33020367	1	CLAMP HOSE D.25
26	146 0617 000	1	BELLEVILLE WASHER
27		1	SPRING
28		1	COLLAR.PIPE FIXING D.22
29		4	SCREW M8X30 UNI5731
30		1	SCREW SHOULDER M12X16
31		1	FORK M8
32		1	KLIPP M8
33		4	SCREW THREAD ROLLING
34	33020565	1	BRACKET SAFETY GUIDE
35		1	WASHER M10 UNI1751B
36		1	NUT HEX M10 UNI5589
[37]	33020350	1	SPEED LIMITING HARDWARE KIT (ITEM 1-2-3-4-5-6-7-8-9-10-11-12-13-14-15-16-17-18-24-27-28-29-30-31-32)

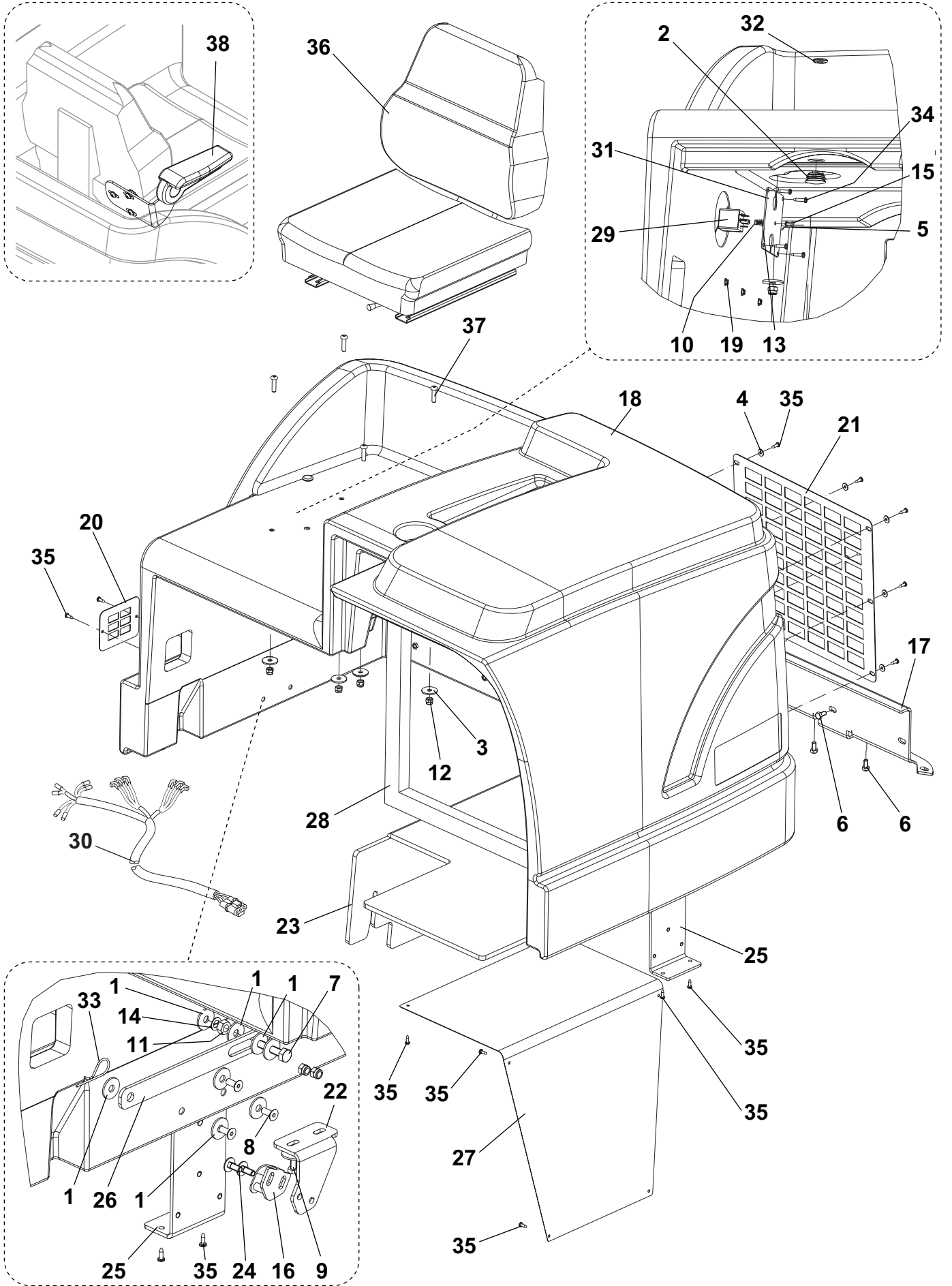
ASSY CONTROL PANEL AND RELAYS



**ASSY CONTROL PANEL AND RELAYS**

ITEM	REF. NO.	QTY	DESCRIPTION
1	33017222	1	PLATE SWITCH PANEL
2	33017223	1	GASKET PLATE
3	33017228	1	GAUGE 12V (STR)
4	33017375	1	DECAL GAGE PANEL
5	33018844	1	SWITCH HORN KIT (SW2)
6	33018843	1	SWITCH VACUUM KIT (SW1)
7	909 5836 000	1	CAP
8	145 3761 000	1	SWITCH KEY (K1)
9	146 0073 00	1	KEY (1PC)
10		2	NUT SELF L. M5 UNI7474
11	33017249	1	DECAL FUSES
12	33017254	1	PLATE FUSES
13	33017381	1	GASKET
14	33017385	1	RELAY TIMER 0,5 SEC. (T2)
15	33017359	1	RELAY TIMER 20 SECONDS (T1)
16	33019990	1	RELAY HEATING PLUGS (ONLY DIESEL VERSION) (TC)
17	146 3113 000	2	RELAIS 12V 70 A TYCO (ES1 - ES2)
18	33017360	2	BREAKER CIRCUIT 16A (F2)
19	909 5706 000	2	CIRCUIT BREAKER 30A (F1)
20	33017386	4	BOOT CIRCUIT BREKER
21		2	SCREW M5X10 UNI7687
22	33017358	1	HARNESS RELAY ENGINE VERSION
23	33020442	1	KEY START ASSY WITH SPARE KEY (ITEM 8-9)
24	33017330	3	SWITCH CONNECTOR

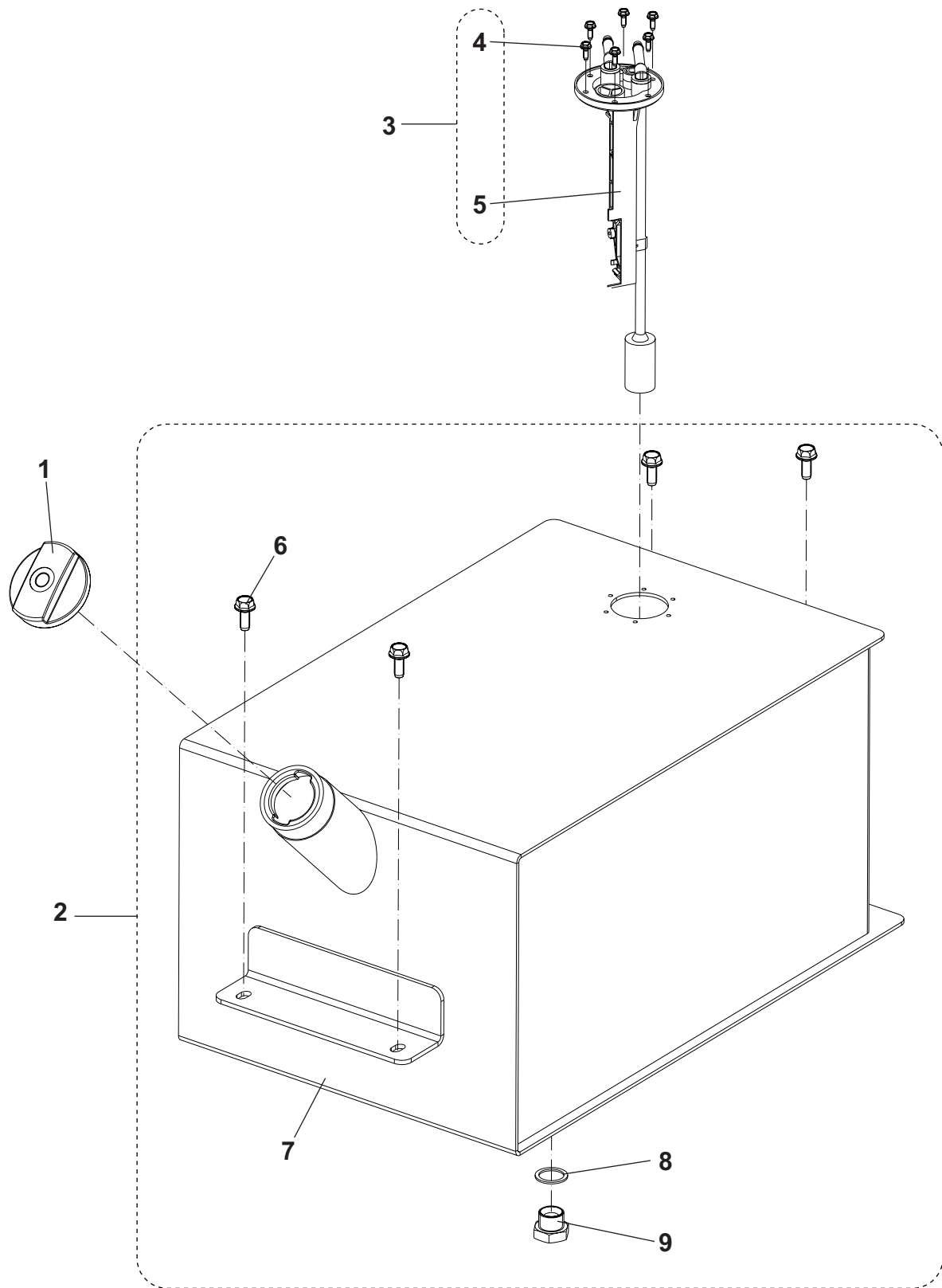
ASSY REAR COVER



**ASSY REAR COVER**

ITEM	REF. NO.	QTY	DESCRIPTION
1		16	WASHER 10X30 UNI6592
2		1	CAP TANK
3		6	WASHER 8X32 UNI6593
4		6	WASHER 5X15 UNI6593
5		1	SCREW M4X10 UNI5739
6		6	SCREW M8X16 UNI5739
7		2	SCREW M10X45 UNI5739
8		6	SCREW M8X20 UNI5933
9		2	SCREW M8X20 UNI5739
10		1	NUT HEX M4 UNI5588
11		2	NUT HEX M10 UNI5588
12		6	NUT SELF L. M8 UNI7473
13		1	WASHER M4 UNI8842A
14		2	WASHER M10 UNI8842A
15		2	WASHER M4 UNI6592
16	33017177	1	CATCH LATCH
17		1	BRACKET HINGE
18	33017230	1	COVER ENGINE
19		4	TIE INSERT PLASTIC
20	33017244	1	GRILL SIDE SMALL
21	33017247	1	GRILL REAR
22	33017261	1	PLATE CATCH
23	33017682	1	INSULATION FOAM
24		2	SCREW M8X20 UNI5732
25		2	BRACKET FOR STOP COVER
26		2	ROD CONNECTING STOP COVER
27	33018732	1	BRACKET CLOSING REAR COVER
28	33018759	1	GASKET FOR RADIATOR
29	33019197	1	RELAY TIMER 0.5 SECONDS (T3)
30	33019697	1	HARNESS REAR COVER ENGINE
31	33019718	1	COMPARTEMENT LID TIMER
32		1	NUT M10X1.5 UNI7473
33		2	PANEL ENGINE COMPARTMENT
34		4	SCREW 4.2X19 UNI6954
35		18	SCREW 4.8X16 UNI6954
36	145 5975 000	1	SEAT
37		4	SCREW M8X30 ISO7380
38	33019556	1	ARMREST RIGHT KIT
[39]*	<b>33019554</b>	<b>1</b>	<b>SEAT BELT KIT</b>
[39]	33018862	1	BONNET BLOCK KIT (ITEM 1-7-11-14-26-33)
[40]	33019103	1	REINFORCEMENT BONNET KIT (ITEM 1-6-8-17-25-35)
[41]	33020340	1	REAR COVER HARDWARE KIT (ITEM 37-35-34-33-32-19-15-14-13-12-11-10-9-8-7-6-5-4-3-2-1-20-24)

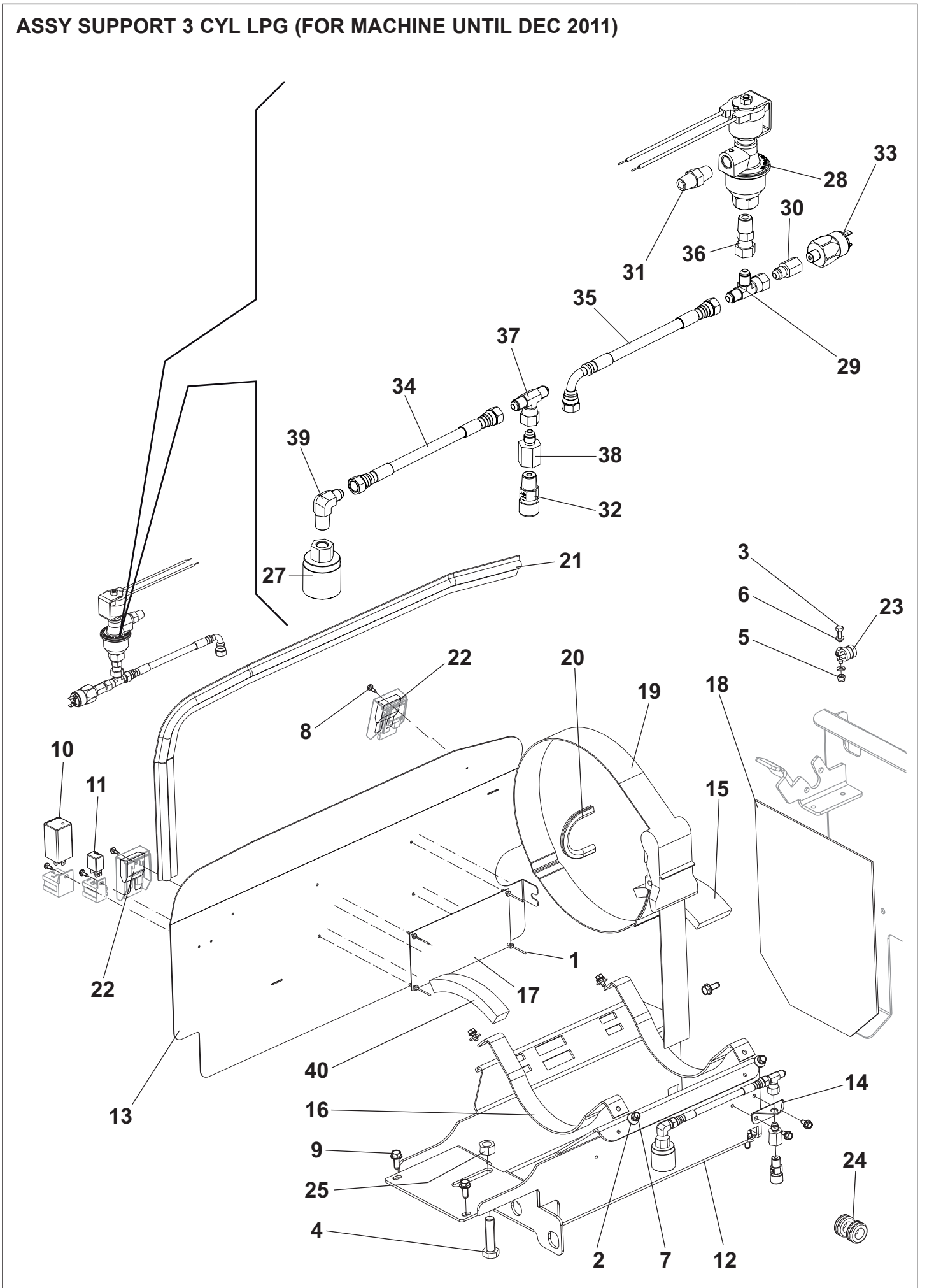
ASSY FUEL TANK 3 CYL DIESEL - GASOLINE



**ASSY FUEL TANK 3 CYL DIESEL - GASOLINE**

	ITEM	REF. NO.	QTY	DESCRIPTION
	1	33017215	1	CAP W/TETHER
	2	33018863	1	TANK FUEL KIT (ITEM 6-7-8-9)
	3	33018864	1	INDICATOR LEVEL FUEL KIT (ITEM 4-5) (SE5)
		33021923	1	INSTRUCTIONS ASSEMBLY
	4		6	SCREW THREAD ROLLING
	5		1	INDICATOR FUEL LEVEL
	6		4	SCREW THREAD ROLLING
	7		1	TANK
	8	33011697	1	GASKET 1/2
	9	33011456	1	PLUG 1/2"

ASSY SUPPORT 3 CYL LPG (FOR MACHINE UNTIL DEC 2011)

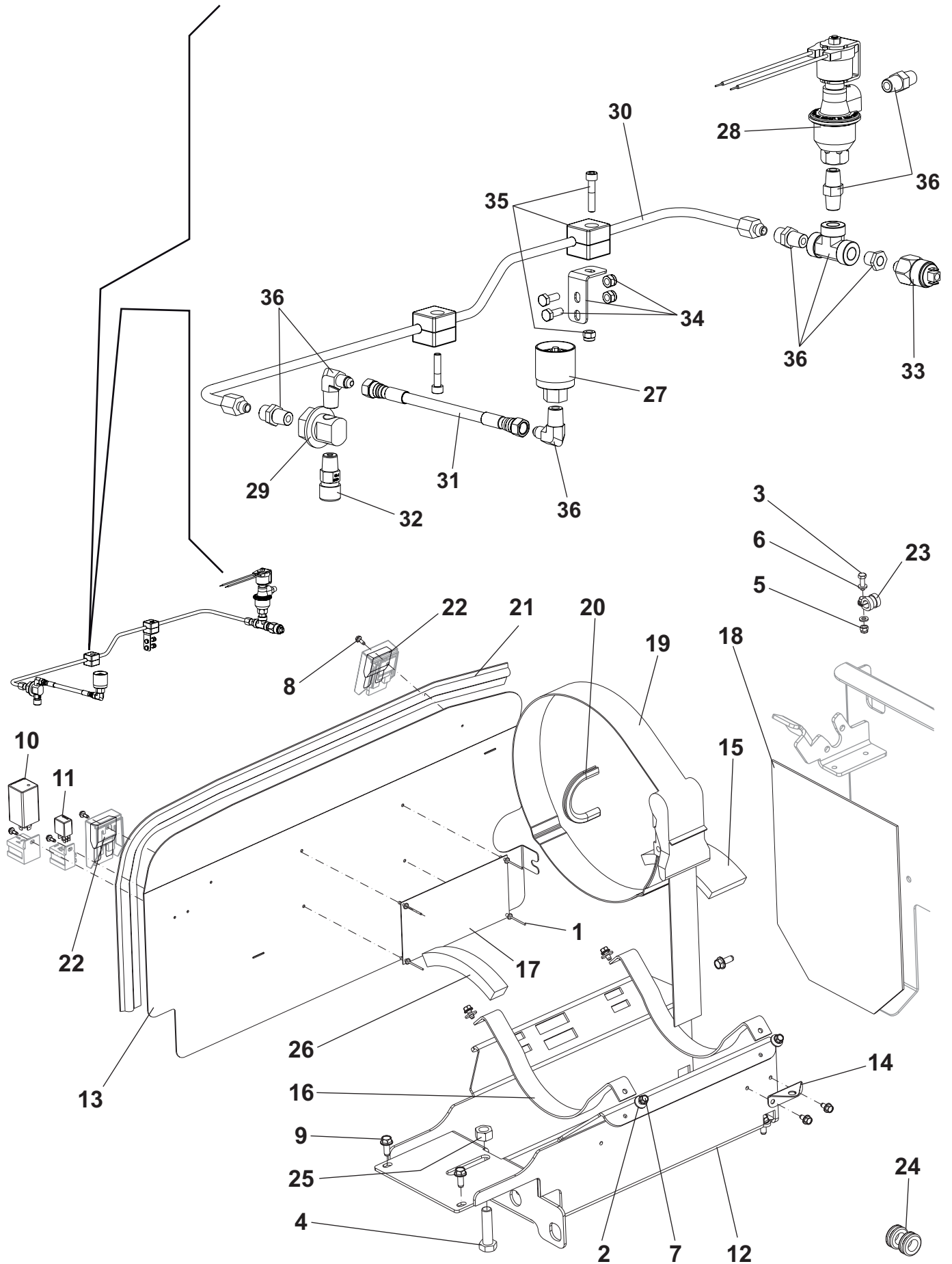




**ASSY SUPPORT 3 CYL LPG (FOR MACHINE UNTIL DEC 2011)**

ITEM	REF. NO.	QTY	DESCRIPTION
1		4	RIVET D4
2		4	WASHER 6X18 UNI6593
3		2	SCREW M6X20 UNI5739
4		1	SCREW M14X55 UNI5739
5		2	NUT SELF L. M6 UNI7473
6		4	WASHER M6 UNI6592
7		6	SCREW THREAD ROLLING
8		4	HOSE HYDRAULIC 1/4 L 440
9		5	SCREW THREAD ROLLING
10	33017388	1	RELAY TIMER 10 SEC
11	33009141	1	RELAY 12 COM 1 (ES3)
12	33018366	1	SUPPORT
13	33019507	1	BULKHEAD TANK SPACE
14	33019841	1	BRACKET FOR FITTING
15	33019908	1	GASKET TANK LPG
16	33019909	2	BAND
17	33019922	1	PLATE IDENTIFICATION LPG
18	33019929	1	RUBBER GAS TANK
19	33019999	1	BAND LPG TANK
20	33020027	1	GASKET LENGH 2000
21	33020028	1	TRIM EDGE BULB L 995MM
22	146 1873 000	2	FUSE 50A (F10)
23	909 5896 000	4	CLAMP.HOSE D.14
24		2	NUT M10X1.5 UNI7473
25		1	NUT HEX M14 UNI5588
26		4	CLAMP.HOSE D.14
27	33019848	1	ADAPTER 1/4 NPT
28	33017756	1	SOLENOID VALVE 12V THREAD (EV3)
29		1	T FITTING 7/16 JIC
30		1	ADAPTER 7/16JIC-1/8 NPTF
31		1	NIPPLE 1/4 NPT
32	33019306	1	VALVE SECURITY 400PSI
33	33022289	1	KIT SWITCH PRESSURE (SE8)
34	33019309	1	HOSE GPL LENGH 620
35	33019310	1	HOSE GPL LENGH 1450
36		1	ADAPTER 7/16JIC-1/4 NPT
37		1	T FITTING 7/16 JIC
38		1	ADAPTER M1/4NPT-F7/16JIC
39		1	FITTING MM 1/4NPT-7/16JIC
40	33020059	1	GASKET ADHESIVE
[41]	33020417	1	FITTINGS SOLENOID VALVE KIT (ITEM 39-38-37-36-31-30-29)
[42]	33020343	1	SUPPORT TANK HARDWARE KIT (ITEM 26-25-24-9-8-7-6-5-4-3-2-1)

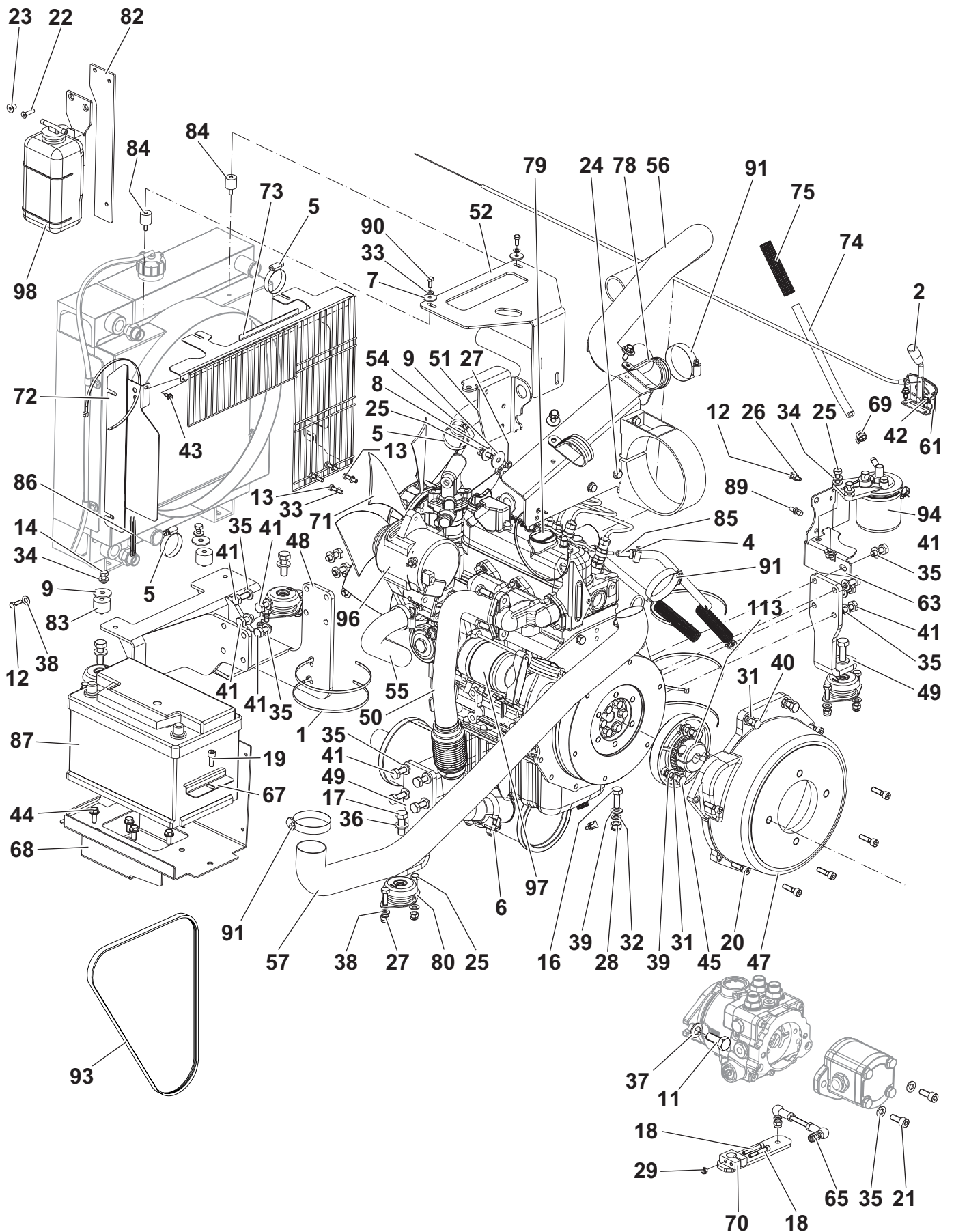
ASSY SUPPORT 3 CYL LPG (FOR MACHINE STARTING FROM JAN 2012)



**ASSY SUPPORT 3 CYL LPG (FOR MACHINE STARTING FROM JAN 2012)**

ITEM	REF. NO.	QTY	DESCRIPTION
1		4	RIVET D4
2		4	WASHER 6X18 UNI6593
3		2	SCREW M6X20 UNI5739
4		1	SCREW M14X55 UNI5739
5		2	NUT SELF L. M6 UNI7473
6		4	WASHER M6 UNI6592
7		6	SCREW THREAD ROLLING
8		4	HOSE HYDRAULIC 1/4 L 440
9		5	SCREW THREAD ROLLING
10	33017388	1	RELAY TIMER 10 SEC
11	33009141	1	RELAY 12 COM 1 (ES3)
12	33018366	1	SUPPORT
13	33019507	1	BULKHEAD TANK SPACE
14	33019841	1	BRACKET FOR FITTING
15	33019908	1	GASKET TANK LPG
16	33019909	2	BAND
17	33019922	1	PLATE IDENTIFICATION LPG
18	33019929	1	RUBBER GAS TANK
19	33019999	1	BAND LPG TANK
20	33020027	1	GASKET LENGH 2000
21	33020028	1	TRIM EDGE BULB L 995MM
22	146 1873 000	2	FUSE 50A (F10)
23	909 5896 000	4	CLAMP.HOSE D.14
24		2	NUT M10X1.5 UNI7473
25		1	NUT HEX M14 UNI5588
26	33020059	1	GASKET ADHESIVE
27	33019848	1	ADAPTER 1/4 NPT
28	33017756	1	SOLENOID VALVE 12V THREAD (EV3)
29	1463840000	1	FITTING 1/4 A-A-A NPT
30	33022117	1	HOSE LPG
31	33022345	1	HOSE LPG KIT
32	33019306	1	VALVE SECURITY 400PSI
33	33022289	1	PRESSURE SWITCH (SE8)
34	33022436	1	FIXING HOSE KIT
35	33022437	1	PLATE FIXING KIT
36	33022438	1	FITTINGS LPG KIT
[38]	33020343	1	SUPPORT TANK HARDWARE KIT (ITEM 26-25-24-9-8-7-6-5-4-3-2-1)

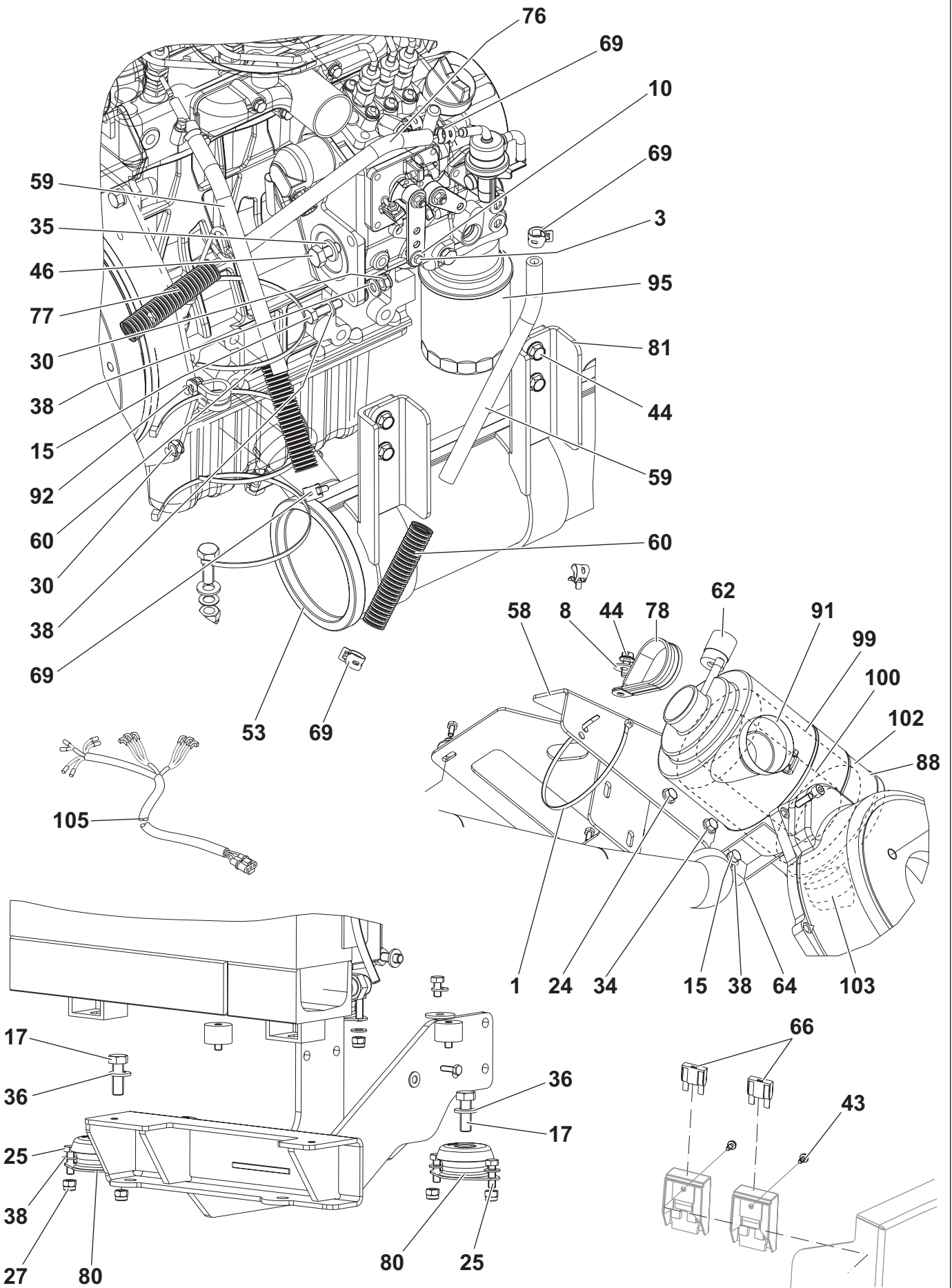
ASSY ENGINE 3 CYL DIESEL



**ASSY ENGINE 3 CYL DIESEL**

ITEM	REF. NO.	QTY	DESCRIPTION	
1	145 0524 000	7	CLAMP 195x4.7 BLACK	
2	L08812349	1	KNOB	
3	33003416	1	CLAMP D2.5	
4	33003450	1	CLAMP 8-16	
5	33003548	4	CLAMP.D.30-45	
6	33003557	1	COLLAR	
7		2	WASHER 6X24 UNI6593	
8		4	WASHER 8X24 UNI6593	
9		6	WASHER 8X32 UNI6593	
10		1	WASHER 5X15 UNI6593	
11		2	SCREW M14X35 UNI5739	
12		2	SCREW M6X20 UNI5739	
13		4	SCREW M6X25 UNI5739	
14		2	SCREW M8X16 UNI5739	
15		3	SCREW M8X30 UNI5739	
16		1	SCREW HEX M10X30 UNI5739	
17		4	SCREW M12X35 UNI5739	
18		2	SCREW M6X40 UNI5931	
19		1	SCREW M8X20 UNI5931	
20		8	SCREW M8X30 UNI5931	
21		2	SCREW M10X25 UNI5931	
22		1	SCREW M6X25 UNI5933	
23		1	SCREW M8X12 UNI5933	
24		2	SCREW M8X20 UNI5739	
25		12	SCREW M8X25 UNI5739	
26		1	NUT HEX M6 UNI5588	
27		10	NUT SELF L. M8 UNI7473	
28		1	NUT SELF L. M10 UNI7473	
29		1	NUT SELF L. M6 UNI7474	
30		6	NUT SELF L. M8 UNI7474	
31		7	WASHER M10 UNI1751B	
32		1	WASHER M10 UNI8842A	
33		6	WASHER M6 UNI8836	
34		6	WASHER M8 UNI8836	
35		19	WASHER M10 UNI8836	
36		4	WASHER M12 UNI8836	
37		2	WASHER M14 UNI8836	
38		14	WASHER M8 UNI6592	
39		4	WASHER M10 UNI6592	
40		2	SCREW M10X1.25X30 UNI5740	
41		18	SCREW M10X1.25X25 UNI5740	
42		2	SCREW THREAD ROLLING	
43		3	SCREW THREAD ROLLING	
44		10	SCREW THREAD ROLLING	
45		3	SCREW M10X1,25X40 UNI5740	
46		1	SCREW M10X1,25X20 UNI5740	
47	33017208	1	BELL HOUSING	
48	33017209	1	BRACKET	
49	33017210	2	BRACKET	
50	33017211	1	TUBE EXHAUST PIPE	
51	33017226	1	BRACKET RADIATOR MOUNT	
52	33017227	1	BRACKET RADIATOR MOUNT	
53	33017231	1	MUFFLER	
54	33017233	1	TUBE RADIATOR	
55	33017234	1	TUBE RADIATOR	
56	33022132	1	HOSE AIR INTAKE KIT (UP TO S/N 3810114900065)	
	33022131	1	INSTRUCTIONS ASSEMBLY	
56	33021001	1	HOSE AIR INTAKE (STARTING FROM S/N 3810114900066)	
#	57	33023145	1	TUBE INTAKE
	58	33017237	1	PLATE FILTER AIR (UP TO S/N 3810114900065)
	58	33021002	1	PLATE FILTER AIR (STARTING FROM S/N 3810114900066)
	59	33017238	2	TUBE FUEL
	60	33017239	2	PROTECTION FUEL TUBE
	61	33017250	1	LEVER THROTTLE

ASSY ENGINE 3 CYL DIESEL

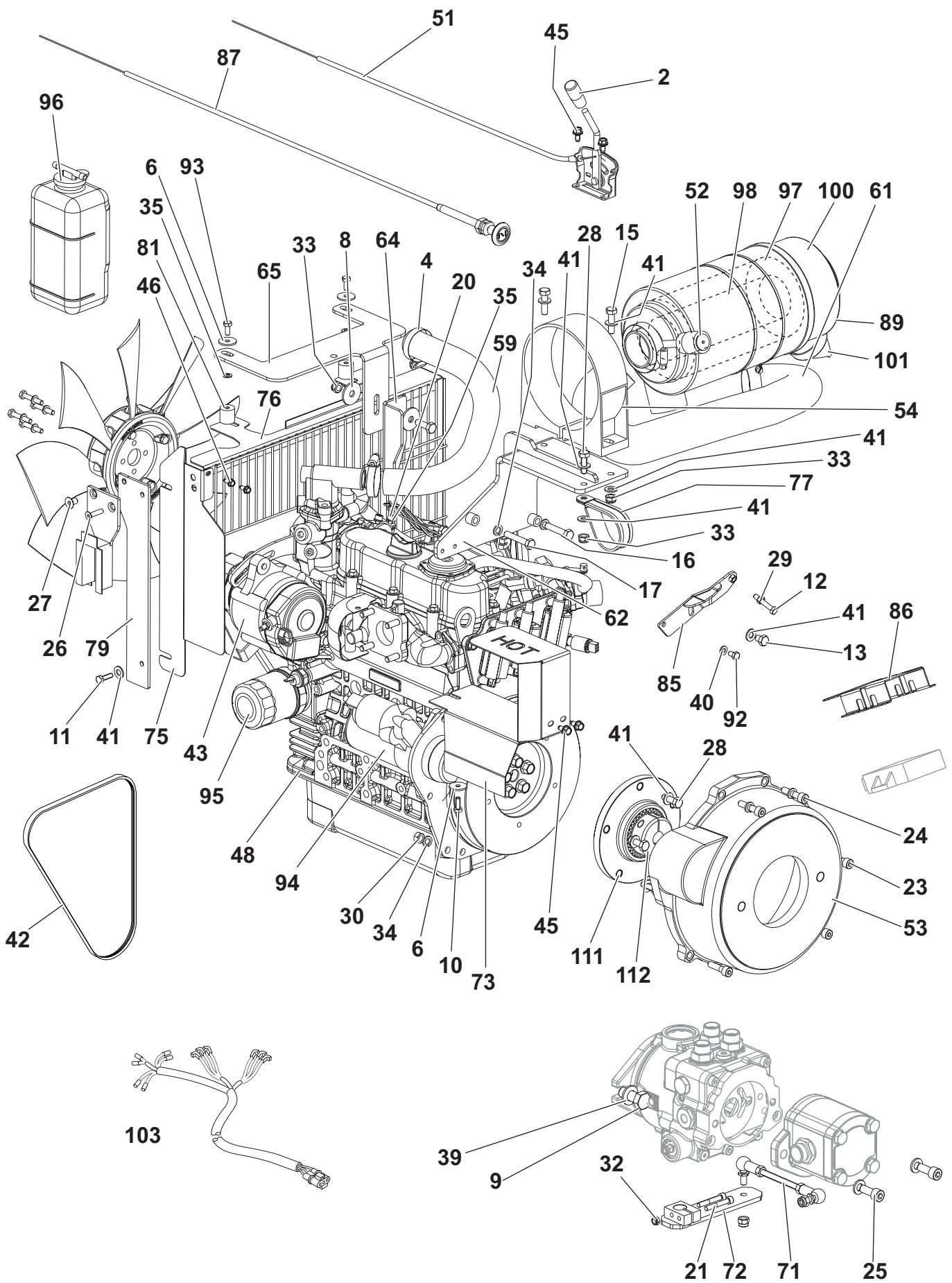




**ASSY ENGINE 3 CYL DIESEL**

	ITEM	REF. NO.	QTY	DESCRIPTION
	62	33017251	1	INDICATOR AIR FILTER
	63	33017253	1	SUPPORT FUEL FILTER
	64	33017293	1	SUPPORT PLASTIC AIR
	65A	33020344	1	KIT CONNECTION PEDAL DIESEL
	65B	33022112	1	KIT CONNECTION PEDAL DIESEL
	66	146 1873 000	2	FUSE 50A (F10)
	67	33017441	1	CLAMP BATTERY
	68	33017442	1	SUPPORT BATTERY
#	69	33023016	7	CLAMP 15/12
	70A	33018468	1	WORKING LEVER DIESEL PUMP
	71	33018697	1	FAN MULTIWING D.370 8 BLA
	72	33018813	1	PLATE RADIATOR RIGHT
	73	33018814	1	GRILL SAFETY
	74	33019105	1	TUBE FUEL L 350
	75	33019106	1	CORRUGATED CONDUIT L 330
	76	33019107	1	TUBE FUEL L 405
	77	33019108	1	CORRUGATED CONDUIT L 350
	78	33019455	3	CLAMP HOSE D.50
	79	33019460	1	ENGINE DIESEL
	80	33019465	4	VIBRATION-DAMPING
	81	33019467	2	STIFFENER MUFFLER
	82	33019468	1	BRACKET FOR TANK WATER
	83	33019469	2	VIBRATION DAMPING M8 55SH
	84	33019470	2	VIBRATION DAMPING M6 60SH
	85	33019551	1	RUBBER FUEL HOSE
	86	33019552	1	GASKET
	87	33019628	1	BATTERY START 12V 77 AH (BAT)
	88	145 0231 000	1	FILTER AIR
	89	145 1179 000	1	ADJUSTER TROTTLE CABLE
	90		2	SCREW M6X14 UNI5739
	91	146 0771 000	4	CLAMP
	92	909 5516 000	1	CLAMP HOSE D.18
	93	33019148	1	BELT ALTERNATOR
	94	33017252	1	FILTER FUEL
	95	33018850	1	FILTER OIL ENGINE
	96	33019147	1	ALTERNATOR 12V 60 AH (ALT)
	97	33019149	1	STARTER 12V
	98	33019456	1	TANK WATER OVERFLOW W/MOUNT
	99	33020446	1	FILTER MAIN ELEMENT
	100	33017438	1	FILTER SAFETY ELEMENT
	102	33020445	1	DUSTCUP
	103	33014386	1	VAQUATOR VALVE
	[104]	33019467	2	STIFFENER MUFFLER
	[105]	33019244	1	HARNESS DIESEL ENGINE KIT
			1	CONNECTOR
			1	CONNECTOR
			1	HARNESS DIESEL ENGINE
			1	CONNECTOR
	[106]	33019119	1	ACCELERATOR KIT (ITEM 2-42-61)
	[107]	33019120	1	VIBRATION DAMPING ENGINE KIT (ITEM 80-38-36-27-25-17)
	[108]	33020419	1	VIBRATION DAMPING RADIATOR KIT (ITEM 83-84-90-33-7-14-34-9)
	[109]	33019122	1	HOSES FUEL KIT (ITEM 74-75-76-77-60-59-60-92)
	[110]	33020346	1	ENGINE DIESEL HARDWARE KIT (ITEM 1-5-7-8-9-10-11-12-13-14-15-16-17-18-19-20-21-22-23-24-25-26-27-28-29-30-31-32-33-34-35-36-37-38-39-40-41-42-43-44-45-46)
	[111]	33020439	1	GLOW PLUGS KIT
	[112]*	<b>33020810</b>	<b>1</b>	<b>KIT, ENGINE PULLEY D3 HT</b>
		33020808	1	INSTRUCTIONS ASSEMBLY
	113	33021980	1	PUMP BELLHOUSING COUPLING KIT
	A:	UP TO S/N 3810113400055		
	B:	STARTING FROM S/N 3810113400056		

ASSY ENGINE 3 CYL LPG

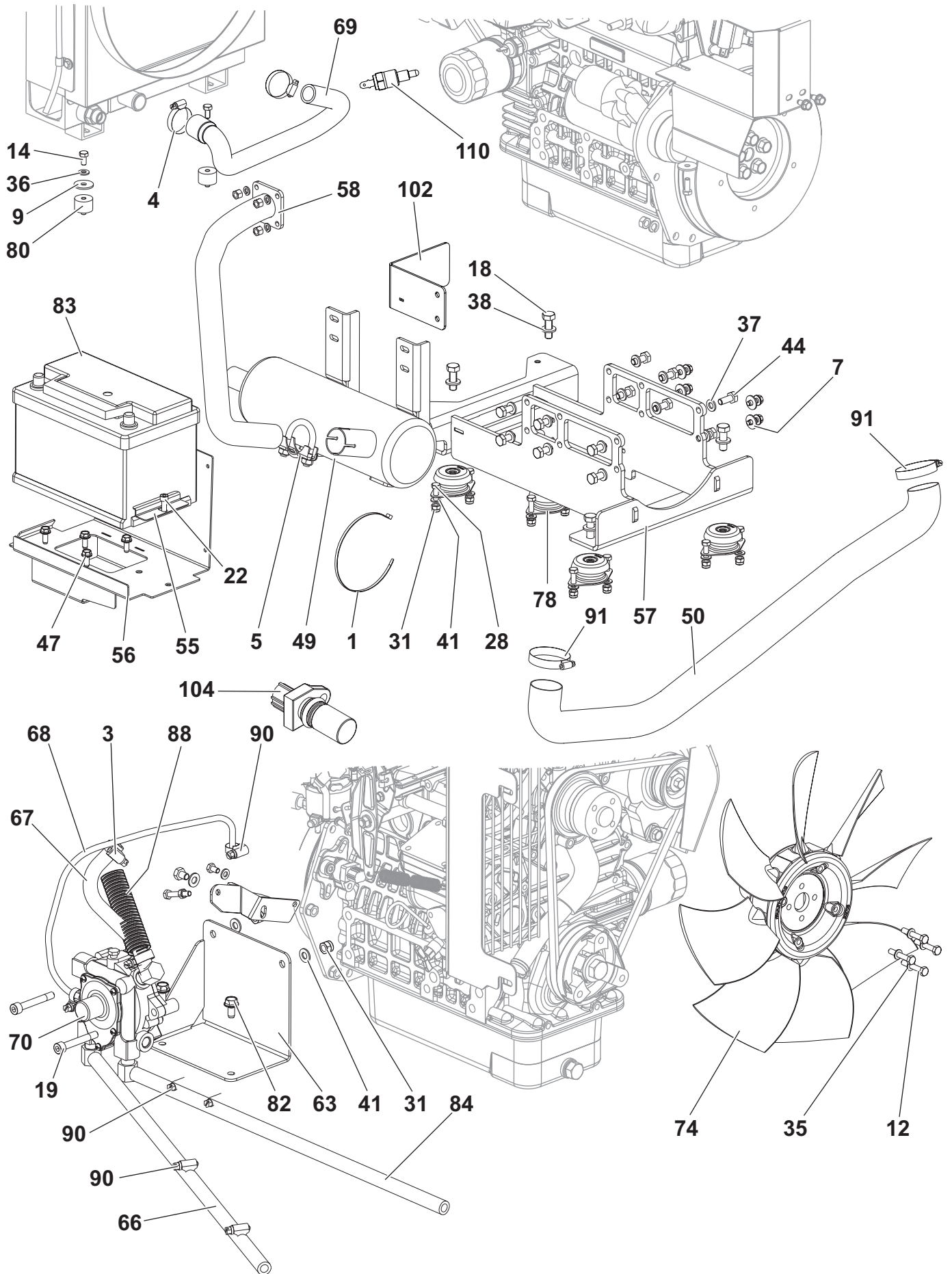




**ASSY ENGINE 3 CYL LPG**

	ITEM	REF. NO.	QTY	DESCRIPTION
	1	145 0524 000	20	CLAMP 195x4.7 BLACK
	2	L08812349	1	KNOB
	3	33003494	2	CLAMP 12-22
	4	33003548	5	CLAMP.D.30-45
	5	33003557	1	COLLAR
	6		3	WASHER 6X24 UNI6593
	7		4	WASHER 8X24 UNI6593
	8		4	WASHER 8X32 UNI6593
	9		2	SCREW M14X35 UNI5739
	10		1	SCREW M6X16 UNI5739
	11		1	SCREW M6X20 UNI5739
	12		5	SCREW M6X35 UNI5739
	13		1	SCREW M8X10 UNI5739
	14		2	SCREW M8X16 UNI5739
	15		2	SCREW M8X30 UNI5739
	16		1	SCREW M8X40 UNI5739
	17		1	SCREW M8X45 UNI5739
	18		4	SCREW M12X35 UNI5739
	19		2	SCREW M8X55 UNI5931
	20		2	SCREW M8X16 UNI5739
	21		2	SCREW M8X30 UNI5739
	22		1	SCREW M8X40 UNI5739
	23		3	SCREW M8X45 UNI5739
	24		2	SCREW M12X35 UNI5739
	25		2	SCREW M10X25 UNI5931
	26		1	SCREW M6X25 UNI5933
	27		1	SCREW M8X12 UNI5933
	28		15	SCREW M8X25 UNI5739
	29		1	NUT HEX M6 UNI5588
	30		3	NUT HEX M8 UNI5588
	31		10	NUT SELF L. M8 UNI7473
	32		1	NUT SELF L. M6 UNI7474
	33		4	NUT SELF L. M8 UNI7474
	34		7	WASHER M8 UNI1751B
	35		8	WASHER M6 UNI8836
	36		2	WASHER M8 UNI8836
	37		14	WASHER M10 UNI8836
	38		4	WASHER M12 UNI8836
	39		2	WASHER M14 UNI8836
	40		1	WASHER M6 UNI6592
	41		23	WASHER M8 UNI6592
	42	33020018	1	BELT ALTERNATOR
	43	33019147	1	ALTERNATOR 12V 60AH (ALT)
	44		12	SCREW M10X1.25X25 UNI5740
	45		4	SCREW THREAD ROLLING
	46		2	SCREW THREAD ROLLING
	47		8	SCREW THREAD ROLLING
	48	33017064	1	ENGINE LPG
	49	33017231	1	MUFFLER
	50	33023145	1	TUBE INTAKE
#	51	33023150	1	LEVER THROTTLE US VERSION KIT
	52	33017251	1	INDICATOR AIR FILTER
	53	33017265	1	BELL HOUSING
	54	33017293	1	SUPPORT PLASTIC AIR
	55	33017441	1	CLAMP BATTERY
	56	33017442	1	SUPPORT BATTERY
	57	33017913	1	SUPPORT MOTOR
	58	33017914	1	TUBE EXHAUST PIPE
	59	33017915	1	HOSE
	61	33020516	1	TUBE INTAKE
	62	33017918	1	PLATE

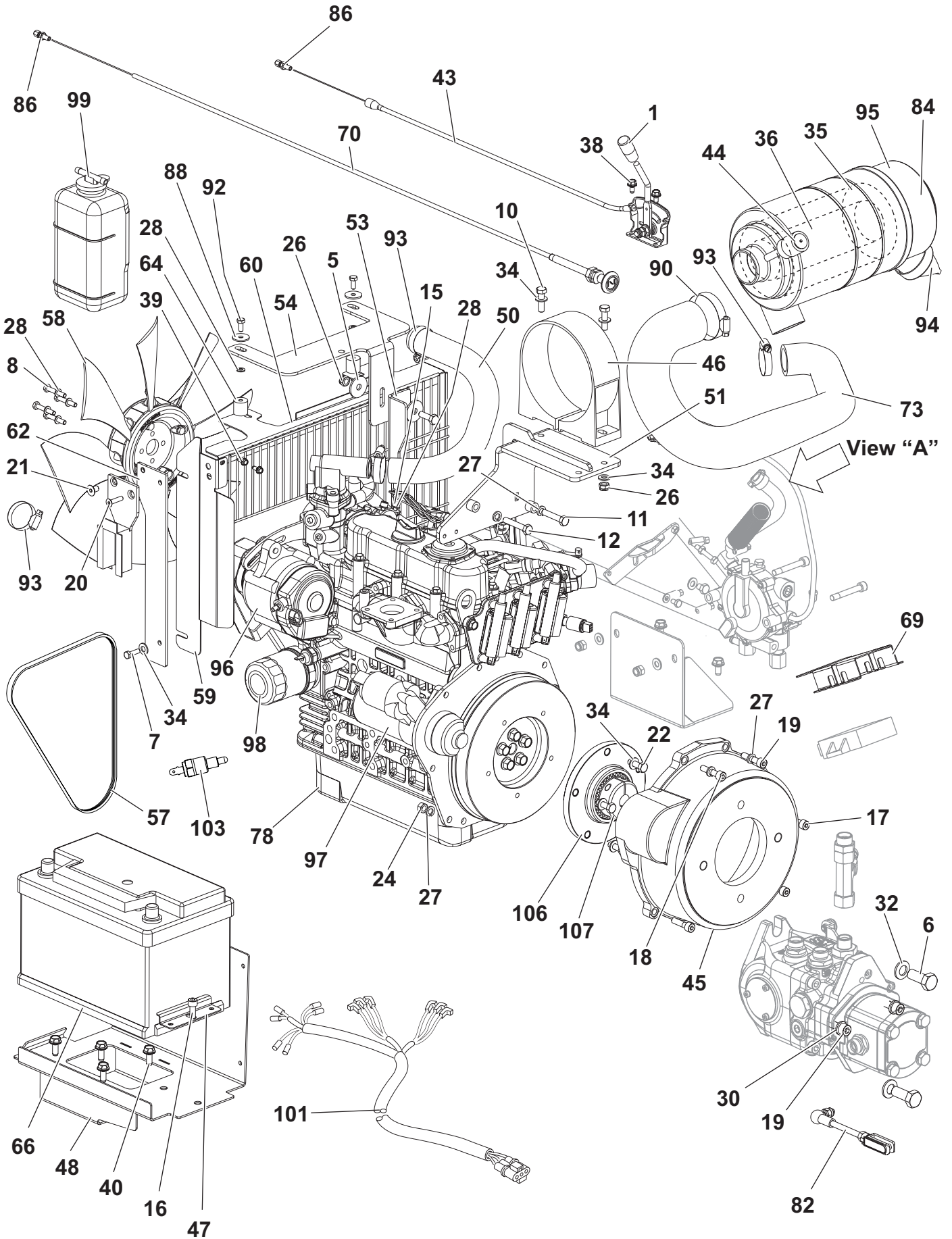
ASSY ENGINE 3 CYL LPG



**ASSY ENGINE 3 CYL LPG**

	ITEM	REF. NO.	QTY	DESCRIPTION
	63	33017919	1	SUPPORT
	64	33018002	1	BRACKET
	65	33018003	1	BRACKET
	66	33018004	1	HOSE VALVE REGULAT. L 650
	67	33018005	1	HOSE
	68	33018006	1	HOSE
	69	33020453	1	TUBE INTAKE
	70	33021334	1	LPG REGULATOR KIT
	71A	33020345	1	KIT CONNECTION PEDAL LPG
	71B	33022168	1	KIT CONNECTION PEDAL LPG
	72A	33018468	1	WORKING LEVER DIESEL PUMP
	73	33018628	1	CRANKCASE MUFFLER PROTECT
	74	33018697	1	FAN MULTIWING D.370 8 BLA
	75	33018813	1	PLATE RADIATOR RIGHT
	76	33018814	1	GRILL SAFETY
	77	33019455	1	CLAMP HOSE D.50
	78	33019465	4	VIBRATION-DAMPING
	79	33019468	1	BRACKET FOR TANK WATER
	80	33019469	2	VIBRATION DAMPING M8 55SH
	81	33019470	2	VIBRATION DAMPING M6 60SH
	82	33019622	2	SCREW THREAD ROLLING
	83	33019628	1	BATTERY START 12V 77 AH (BAT)
	84	33019894	1	HOSE LENGTH 540 MM KIT
	85	33020208	1	BRACKET RPM SETTING
	86	33020209	1	PLATE PROTECTION
#	87	33023149	1	CABLE STARTER US VERSION PKD
	88	33020330	1	CORRUGATED CONDUIT L 240
	89	145 0231 000	1	FILTER AIR
	90	145 8582 000	6	CLAMP HOSE
	91	146 0771 000	3	CLAMP
	92		1	SCREW M6X10 UNI5739
	93		2	SCREW M6X14 UNI5739
	94	33020017	1	STARTER
	95	33018851	1	FILTER OIL ENGINE
	96	33019456	1	TANK WATER OVERFLOW W/MOUNT
	97	33020446	1	FILTER MAIN ELEMENT
	98	33017438	1	FILTER SAFETY ELEMENT
	100	33020445	1	DUSTCUP
	101	33014386	1	VAQUATOR VALVE
	102	33020441	1	PLATE PROTECTION PULLEY
	103	33019245	1	HARNESS LPG ENGINE KIT
			1	HARNESS LPG ENGINE
			2	CONNECTOR 2 WAYS
			1	CONNECTOR 2 WAY
	104	33022568	1	SENSOR FLYWHEEL
	[105]	33019119	1	ACCELERATOR KIT (ITEM 2-45-51)
	[106]	33019120	1	VIBRATION DAMPING ENGINE KIT (ITEM 78-41-38-31-28-18)
	[107]	33020419	1	VIBRATION DAMPING RADIATOR KIT (ITEM 80-81-93-35-6-14-36-8)
	[108]	33020348	1	HOSES KIT (ITEM 3-4-50-61-90-91-67-68-69)
	109	33021335	1	SENSOR WATER TEMPERATURE
	[110]	33020349	1	ENGINE HARDWARE KIT (ITEM 3-4-5-6-7-8-9-10-11-12-13-14-15-16-17-18-19-20-21-22-23-24-25-26-27-28-29-30-31-32-33-34-35-36-37-38-39-40-41)
#	111	33023137	1	FLANGE BELLHOUSING KUBOTA ENG. DF972 PKD
#	112	33023138	1	HUB BELL HOUSING ENGINE PK
	A:	UP TO S/N 3810113400055		
	B:	STARTING FROM S/N 3810113400056		

ASSY ENGINE 3 CYL LPG - TIER 3

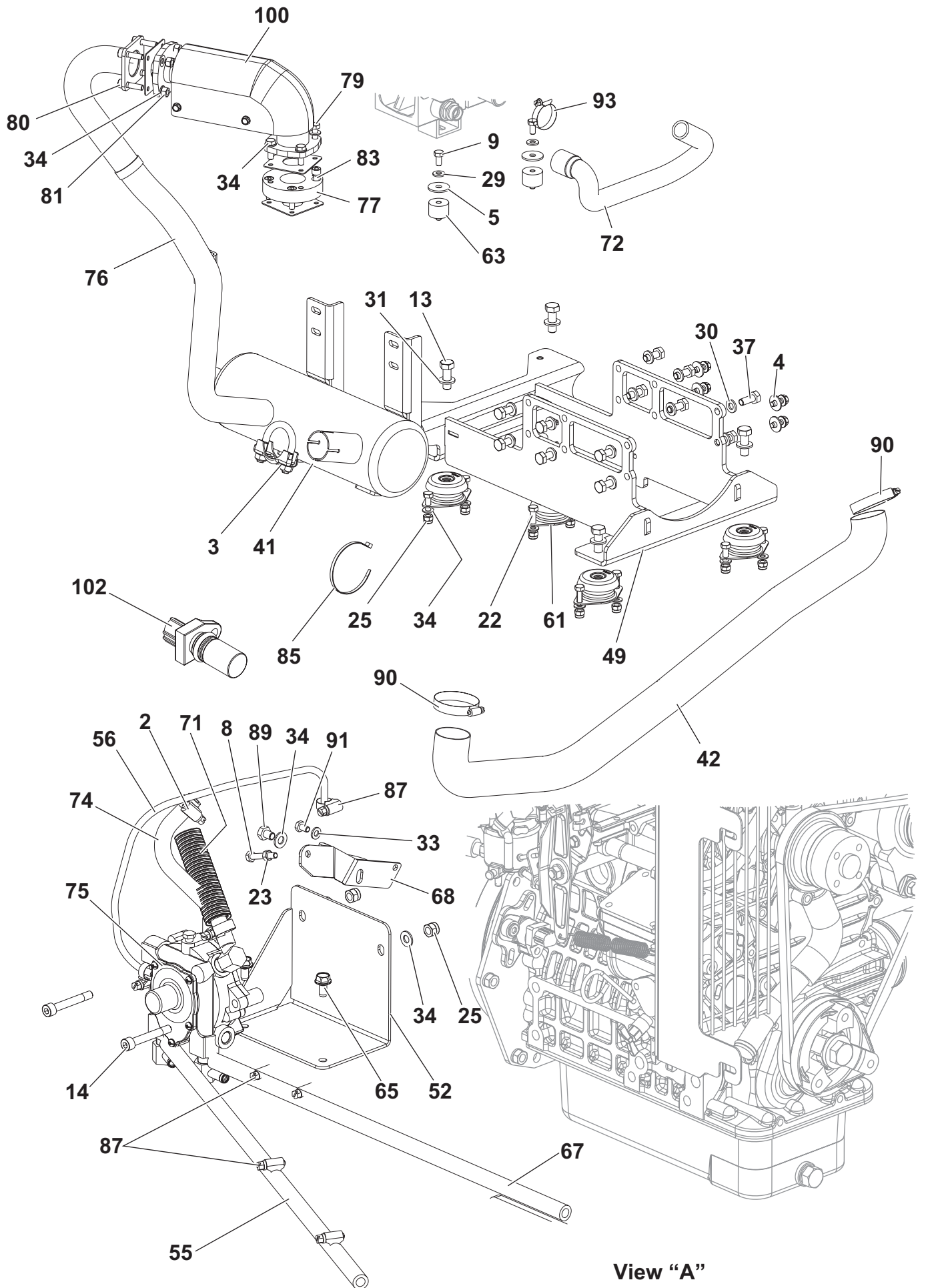


**ASSY ENGINE 3 CYL LPG - TIER 3**

	ITEM	REF. NO.	QTY	DESCRIPTION
	1	L08812349	1	KNOB
	2	33003494	2	CLAMP, HOSE d.12-22
	3	33003557	1	CLAMP MUFFLER D.45
	4		4	WASHER 8X24 UNI6593
	5		4	WASHER, FLAT XL 9x32
	6		2	SCREW, HEX THD TO HD M14x35
	7		1	SCREW, HEX THD TO HD M6x20
	8		5	SCREW, HEX THD TO HD M6x35
	9		2	SCREW, HEX THD TO HD M8x16
	10		2	SCREW, HEX THD TO HD M8x30
	11		1	SCREW, HEX THD TO HD M8x40
	12		1	SCREW, HEX THD TO HD M8x45
	13		4	SCREW, HEX THD TO HD M12x35
	14		2	SCREW M5X55 UNI5739 SS
	15		2	SCREW M6X16 UNI5739
	16		1	SCREW M8X20 UNI5739
	17		3	SCREW M8X30 UNI5739
	18		2	SCREW M8X35 UNI5739
	19		2	SCREW M10X25 UNI5931
	20		1	SCREW, FLAT SOCKET HEAD
	21		1	SCREW, FLAT SOCKET HEAD
	22		14	SCREW, HEX THD TO HD M8x25
	23		1	NUT, HEX M6
	24		3	NUT, HEX M8
	25		10	NUT, HEX NYL LOC HVY M8
	26		3	NUT, HEX NYL LOC THIN M8
	27		7	WASHER, SPLIT LOCK d.8
	28		8	WASHER, SPRING (FIAT) M6
	29		2	WASHER, SPRING (FIAT) M8
	30		14	WASHER, SPRING (FIAT) M10
	31		4	WASHER, SPRING (FIAT) M12
	32		2	WASHER, SPRING (FIAT) M14
	33		1	WASHER, FLAT 6,4x12,5
	34		29	WASHER, FLAT 8.4x16x1.6
	35	33020446	1	FILTER MAIN ELEMENT
	36	33017438	1	FILTER SAFETY ELEMENT
	37		12	SCREW, HEX THD TO HD M10-1.25x25 GRD 10.9
	38		2	THREAD ROLLING SCREW M6X12
	39		2	THREAD ROLLING SCREW M5X12
	40		8	THREAD ROLLING SCREW M8X20
	41	33017231	1	KUBOTA D1105-DF972 MUFFLER
	42	33023145	1	INTAKE TUBE 2
#	43	33023150	1	LEVER THROTTLE US VERSION KIT
	44	33017251	1	INDICATOR, AIR FILTER
	45	33017265	1	BELLHOUSING ASSY KUBOTA DF972
	46	33017293	1	MOUNTING BANDS (FOR PLASTIC FILTER)
	47	33017441	1	BRACKET BATTERY
	48	33017442	1	BATTERY SUPPORT
	49	33017913	1	SUPPORT 3 CIL PETROL/LPG
	50	33017915	1	TUBE, RADIATOR 1
	51	33017918	1	SUPPORT AIR PLATE
	52	33017919	1	SUPPORT, LPG REGULATOR
	53	33018002	1	ENGINE SIDE BRACKET
	54	33018003	1	EXCHANGER DIDE BRACKET
	55	33018004	1	TUBE WATER FOR REGOLATOR 10X17 L=650
	56	33018006	1	HOSE
	57	33020018	1	BELT ALTERNATOR
	58	33018697	1	FUN MULTIWING Ø370 8 BLADE 35°
	59	33018813	1	PLATE, RADIATOR RIGHT
	60	33018814	1	SAFETY GRILL
	61	33019465	4	MOUNT, VIBRATION DAMPING



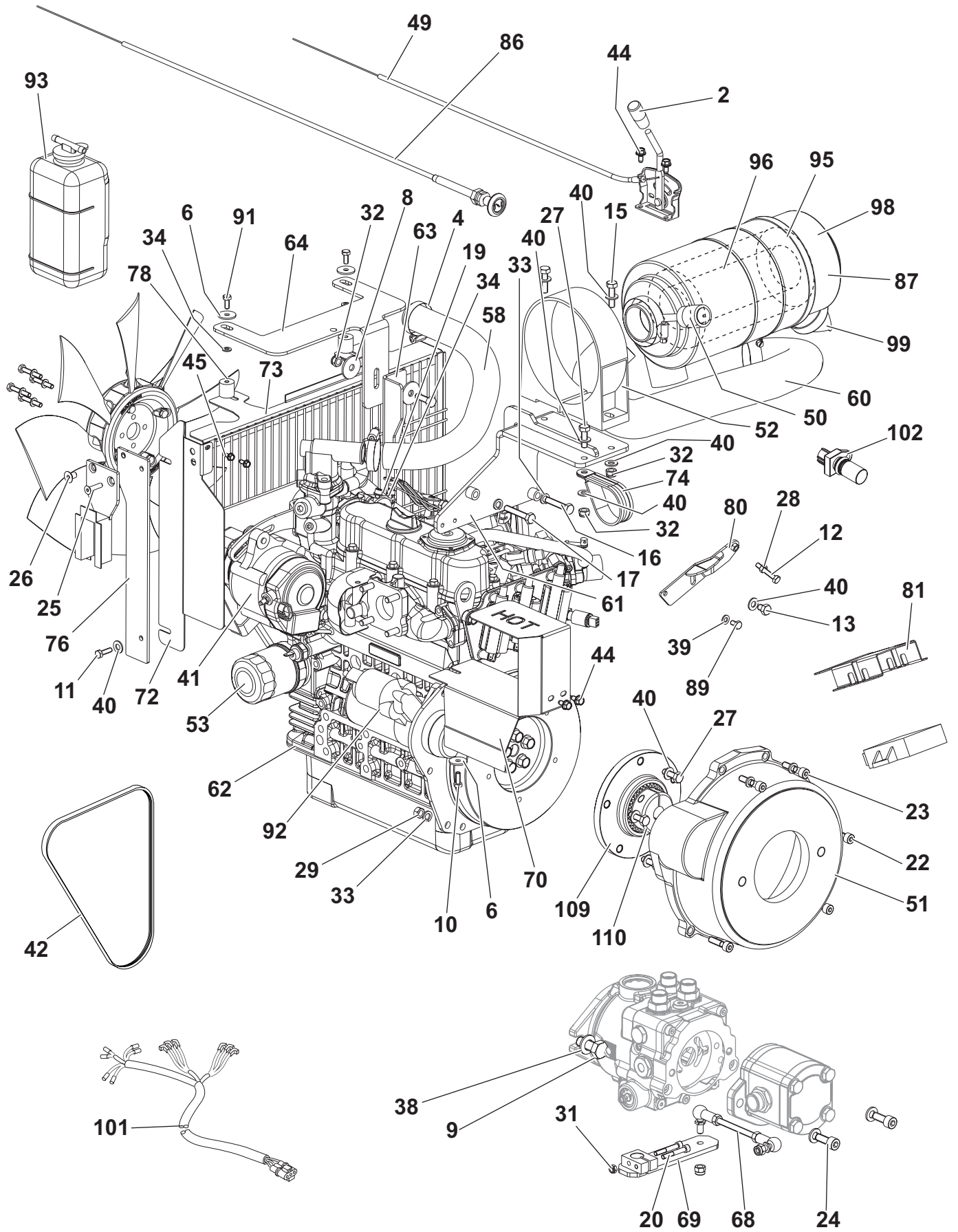
ASSY ENGINE 3 CYL LPG - TIER 3



**ASSY ENGINE 3 CYL LPG - TIER 3**

	ITEM	REF. NO.	QTY	DESCRIPTION
	62	33019468	1	BRACKET FOR TANK WATER
	63	33019469	2	VIBRATION DAMPING EI TYPE
	64	33019470	2	VIBRATION DAMPING EI TYPE
	65		2	THREAD ROLLING SCREW M8X16
	66	33019628	1	BATTERY 12V 80 AH
	67	33019894	1	TUBE WATER FOR REGULATOR 10X17 L=540
	68	33020208	1	BRACKET RPM SETTING
	69	33020209	1	PLATE PROTECTION
#	70	33023149	1	CABLE STARTER US VERSION PKD
	71	33020330	1	CORRUGATED CONDUIT
	72	33020453	1	HOSE LOWER RADIATOR DF972
	73	33020516	1	HOSE AIR INTAKE DF972
	74	33021152	1	HOSE
	75	33021334	1	LPG REGULATOR KIT
	76	33021352	1	PIPE EXHAUST TIER 3
	77	33021353	1	SPACER FOR CATALYTIC CONVERTER ENGINE DF972
	78	33022071	1	KUBOTA ENGINE WG972 TIER 3
	79		4	SCREW, HEX THD TO HD M8x25 UNI 5739 - 10.9
	80		4	SCREW, SOC HD M8x30 UNI 5931 - 10.9
	81		4	NUT, HEX M8 - 10.9 UNI 5588
	82	33022168	1	CONNECTION PEDAL ASSY
	83		4	SCREW M8X25 UNI5739 CL. 10.9
	84	145 0231 000	1	FILTER AIR
	85		20	TIE, CABLE 4,8X200
	86	145 1179 000	2	ADJUSTER, TROTTLE CABLE
	87		6	CLAMP, HOSE 8/9-16
	88		2	WASHER, FLAT XL
	89		1	SCREW, HEX THD TO HD M8x10
	90		3	CLAMP, HOSE SX14/47-67
	91		1	SCREW, HEX THD TO HD M6x10
	92		2	SCREW, HEX THD TO HD M6x14
	93		5	CLAMP, HOSE d.25-40
	94	33014386	1	VAQUATOR VALVE
	95	33020445	1	DUSTCUP
	96	33019147	1	ALTERNATOR 12V 60AH (ALT)
	97	33020017	1	STARTER
	98	33018851	1	FILTER OIL ENGINE
	99	33019456	1	TANK WATER OVERFLOW W/MOUNT
	100	33021964	1	WG-SSI CATALYST CONVERTER KIT
	101	33019245	1	HARNESS LPG ENGINE KIT
			1	HARNESS LPG ENGINE
			2	CONNECTOR 2 WAYS
			1	CONNECTOR 2 WAY
	102	33022568	1	SENSOR FLYWHEEL
	103	33021335	1	SENSOR WATER TEMPERATURE
	[104]	33019119	1	ACCELERATOR KIT (ITEM 1-38-43)
	[105]	33022336	1	ENGINE HARDWARE KIT (ITEM 4-5-6-7-8-9-10-11-12-13-14-15-16-17-18-19-20-21-22-23-24-25-26-27-28-29-30-31-32-33-34-37-38-39-40-65-79-80-81-83-85-87-88-89-90-91-92-93)
#	106	33023137	1	FLANGE BELLHOUSING KUBOTA ENG. DF972 PKD
#	107	33023138	1	HUB BELL HOUSING ENGINE PK

ASSY ENGINE 3 CYL GASOLINE

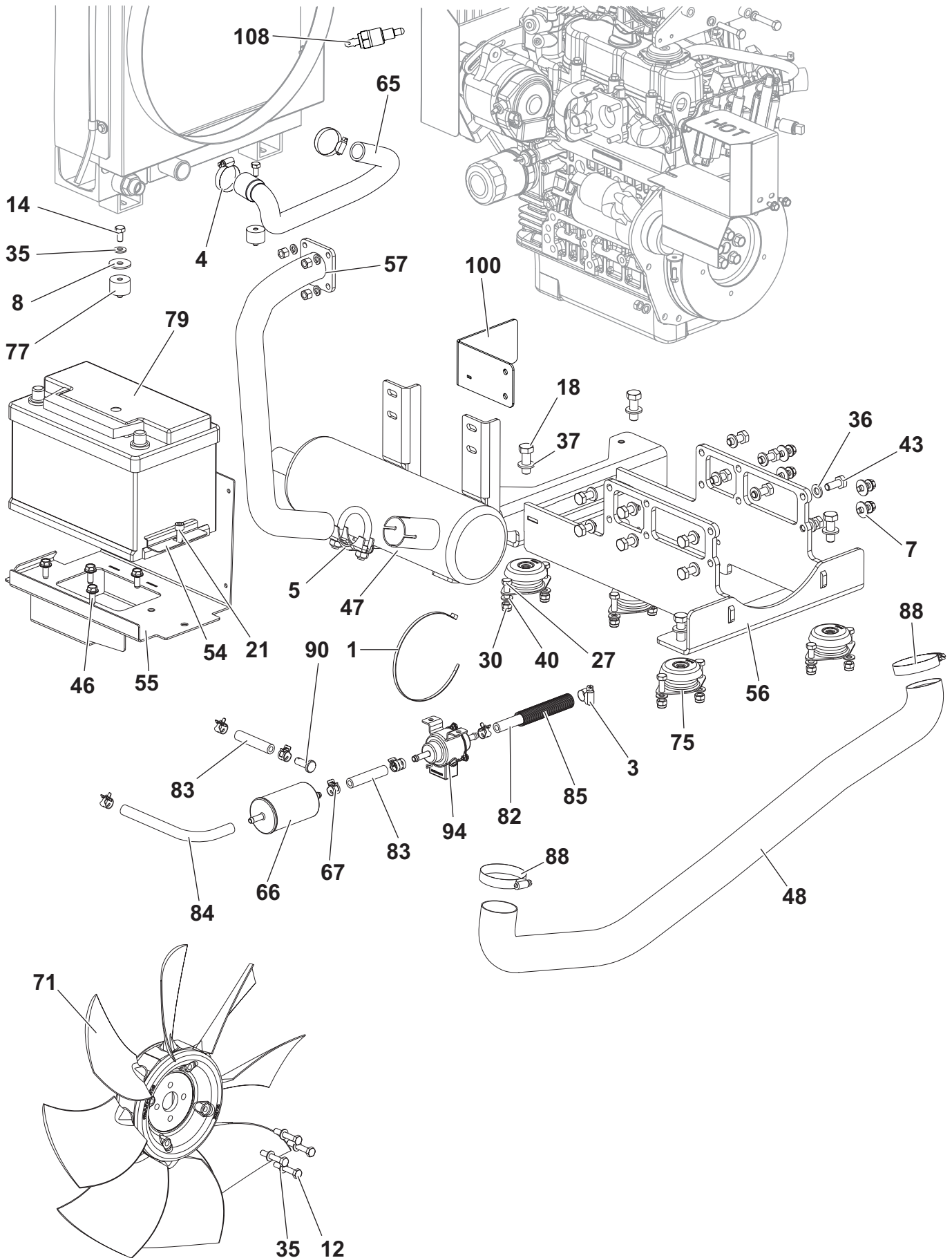




**ASSY ENGINE 3 CYL GASOLINE**

	ITEM	REF. NO.	QTY	DESCRIPTION
	1	145 0524 000	20	CLAMP 195x4.7 BLACK
	2	L08812349	1	KNOB
	3	33003450	1	CLAMP 8-16
	4	33003548	5	CLAMP.D.30-45
	5	33003557	1	COLLAR
	6		3	WASHER 6X24 UNI6593
	7		4	WASHER 8X24 UNI6593
	8		4	WASHER 8X32 UNI6593
	9		2	SCREW M14X35 UNI5739
	10		1	SCREW M6X16 UNI5739
	11		1	SCREW M6X20 UNI5739
	12		5	SCREW M6X35 UNI5739
	13		1	SCREW M8X10 UNI5739
	14		2	SCREW M8X16 UNI5739
	15		2	SCREW M8X30 UNI5739
	16		1	SCREW M8X40 UNI5739
	17		1	SCREW M8X45 UNI5739
	18		4	SCREW M12X35 UNI5739
	19		2	SCREW M8X16 UNI5739
	20		2	SCREW M8X30 UNI5739
	21		1	SCREW M8X40 UNI5739
	22		3	SCREW M8X45 UNI5739
	23		2	SCREW M12X35 UNI5739
	24		2	SCREW M10X25 UNI5931
	25		1	SCREW M6X25 UNI5933
	26		1	SCREW M8X12 UNI5933
	27		15	SCREW M8X25 UNI5739
	28		1	NUT HEX M6 UNI5588
	29		3	NUT HEX M8 UNI5588
	30		8	NUT SELF L. M8 UNI7473
	31		1	NUT SELF L. M6 UNI7474
	32		4	NUT SELF L. M8 UNI7474
	33		7	WASHER M8 UNI1751B
	34		8	WASHER M6 UNI8836
	35		2	WASHER M8 UNI8836
	36		14	WASHER M10 UNI8836
	37		4	WASHER M12 UNI8836
	38		2	WASHER M14 UNI8836
	39		1	WASHER M6 UNI6592
	40		21	WASHER M8 UNI6592
	41	33019147	1	ALTERNATOR 12V 60AH (ALT)
	42	33020018	1	BELT ALTERNATOR
	43		12	SCREW M10X1.25X25 UNI5740
	44		4	SCREW THREAD ROLLING
	45		2	SCREW THREAD ROLLING
	46		8	SCREW THREAD ROLLING
	47	33017231	1	MUFFLER
#	48	33023145	1	TUBE INTAKE
	49	33017250	1	LEVER THROTTLE
	50	33017251	1	INDICATOR AIR FILTER
	51	33017265	1	BELL HOUSING
	52	33017293	1	SUPPORT PLASTIC AIR
	53	33018851	1	FILTER OIL ENGINE
	54	33017441	1	CLAMP BATTERY
	55	33017442	1	SUPPORT BATTERY
	56	33017913	1	SUPPORT MOTOR
	57	33017914	1	TUBE EXHAUST PIPE
	58	33017915	1	HOSE
	60	33020516	1	TUBE INTAKE
	61	33017918	1	PLATE
	62	33017064	1	ENGINE GASOLINE

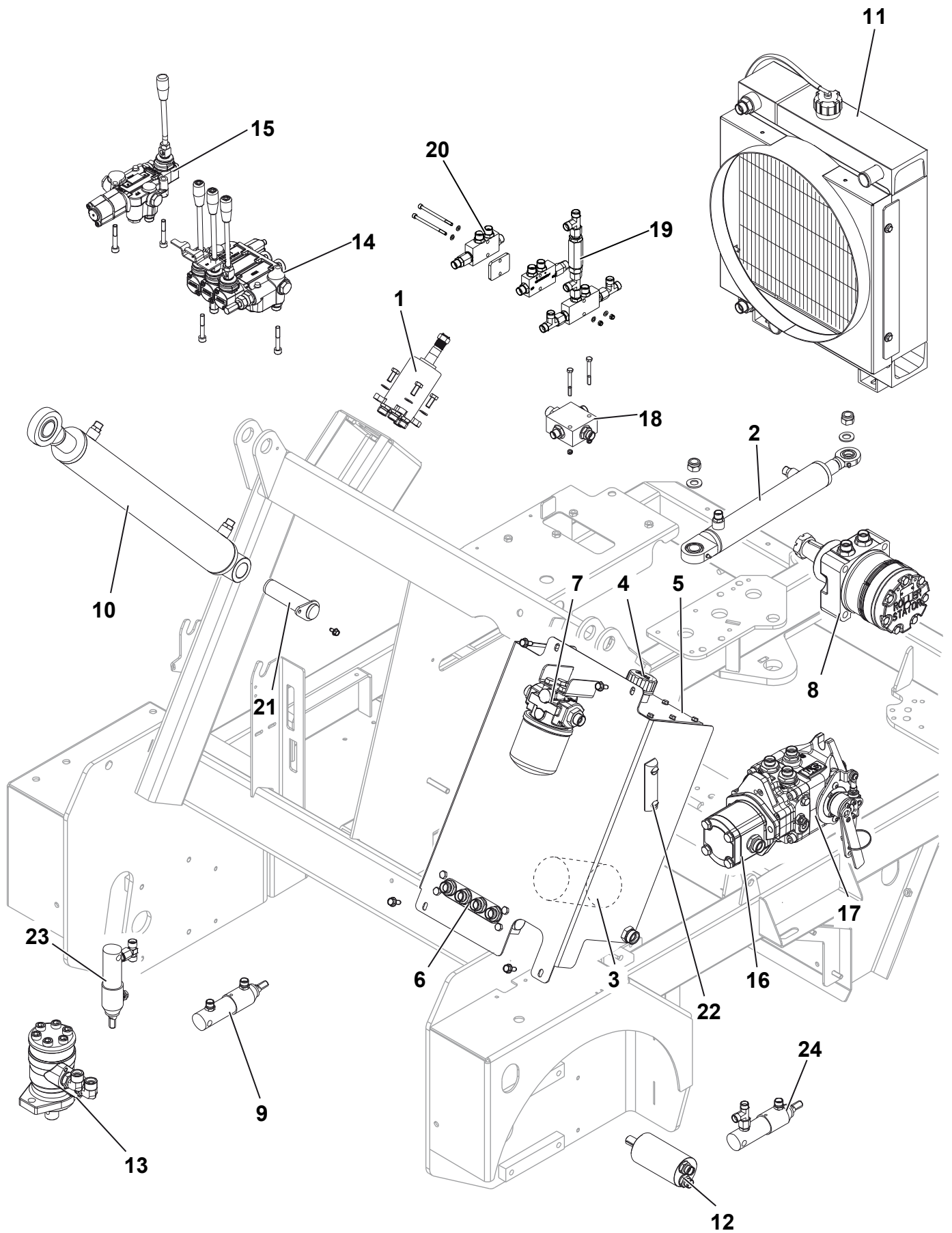
ASSY ENGINE 3 CYL GASOLINE



**ASSY ENGINE 3 CYL GASOLINE**

	ITEM	REF. NO.	QTY	DESCRIPTION
	63	33018002	1	BRACKET
	64	33018003	1	BRACKET
	69	33020453	1	TUBE INTAKE
	66	33018372	1	FILTER FUEL
#	67	33023016	7	CLAMP 15/12
	68A	33020345	1	KIT CONNECTION PEDAL LPG
	68B	33022168	1	KIT CONNECTION PEDAL LPG
	69A	33018468	1	WORKING LEVER DIESEL PUMP
	70	33018628	1	CRANKCASE MUFFLER PROTECT
	71	33018697	1	FAN MULTIWING D.370 8 BLA
	72	33018813	1	PLATE RADIATOR RIGHT
	73	33018814	1	GRILL SAFETY
	74	33019455	1	CLAMP HOSE D.50
	75	33019465	4	VIBRATION-DAMPING
	76	33019468	1	BRACKET FOR TANK WATER
	77	33019469	2	VIBRATION DAMPING M8 55SH
	78	33019470	2	VIBRATION DAMPING M6 60SH
	79	33019628	1	BATTERY START 12V 77 AH (BAT)
	80	33020208	1	BRACKET RPM SETTING
	81	33020209	1	PLATE PROTECTION
	82	33020225	1	TUBE FUEL L 250
	83	33020226	2	TUBE FUEL L 70
	84	33020227	1	TUBE FUEL L 1260
	85	33020228	1	CORRUGATED CONDUIT L 1200
#	86	33023158	1	CABLE STARTER KIT
	87	145 0231 000	1	FILTER AIR
	88	146 0771 000	3	CLAMP
	89		1	SCREW M6X10 UNI5739
	90		1	PIN 10X28 UNI1710
	91		2	SCREW M6X14 UNI5739
	92	33020017	1	STARTER
	93	33019456	1	TANK WATER OVERFLOW W/MOUNT
	94	33017673	1	FUEL PUMP
	95	33020446	1	FILTER MAIN ELEMENT
	96	33017438	1	FILTER SAFETY ELEMENT
	98	33020445	1	DUSTCUP
	99	33014386	1	VAQUATOR VALVE
	100	33020441	1	PLATE PROTECTION PULLEY
	101	33019243	1	HARNESS GASOLINE ENGINE KIT
			1	HARNESS GASOLINE ENGINE
			1	CONNECTOR 2 WAYS
			1	CONNECTOR 2 WAY
	[102]	33019119	1	ACCELERATOR KIT (2-44-49)
	[103]	33019120	1	VIBRATION DAMPING ENGINE KIT (ITEM 75-40-37-30-27-18)
	[104]	33020419	1	VIBRATION DAMPING RADIATOR KIT (ITEM 77-78-91-34-6-14-35-8)
	[105]	33020348	1	HOSES KIT (ITEM 3-4-48-60-88-90-58-59-65)
	[106]	33020369	1	HOSES GASOLINE KIT (ITEM 82-83-84-85-90-67-3)
	[107]	33020349	1	ENGINE HARDWARE KIT (ITEM 91-89-74-43-44-45-46-6-7-8-9-10-11-12-13-14-15-16-17-18-19-20-21-22-23-24-25-26-27-28-29-30-31-32-33-34-35-36-37-38-39-40)
	108	33021335	1	SENSOR WATER TEMPERATURE
	A:	UP TO S/N 3810113400055		
	B:	STARTING FROM S/N 3810113400056		

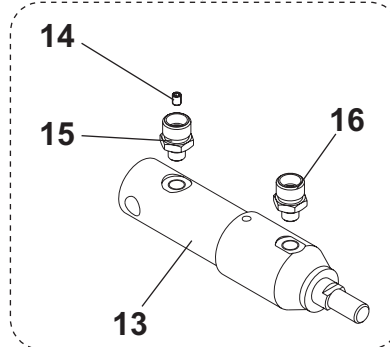
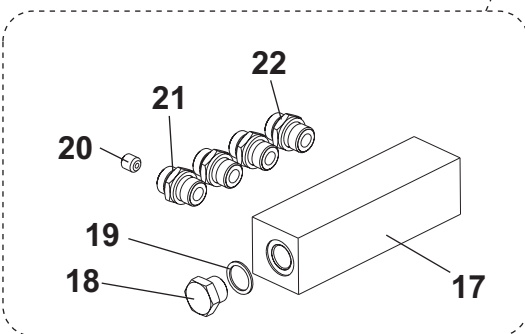
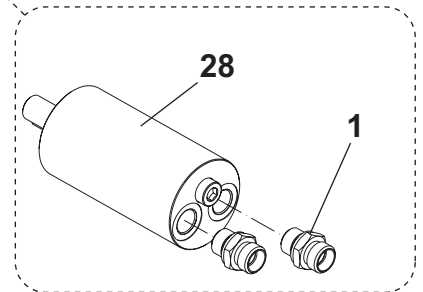
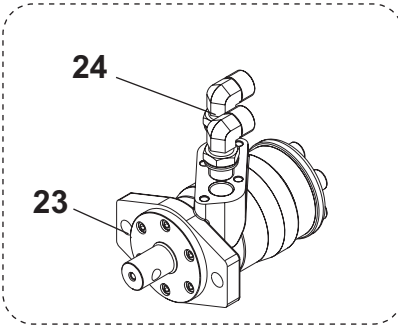
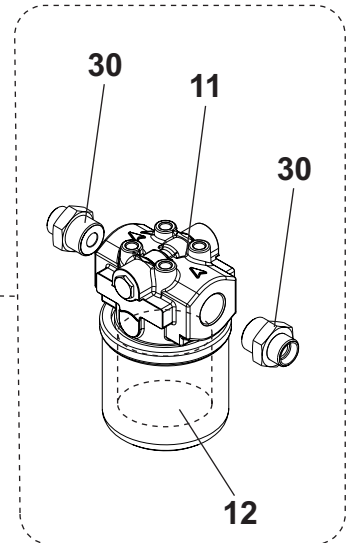
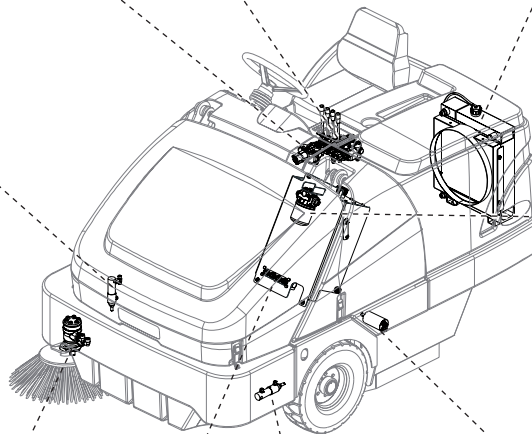
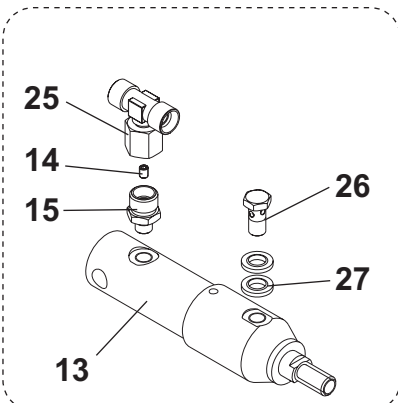
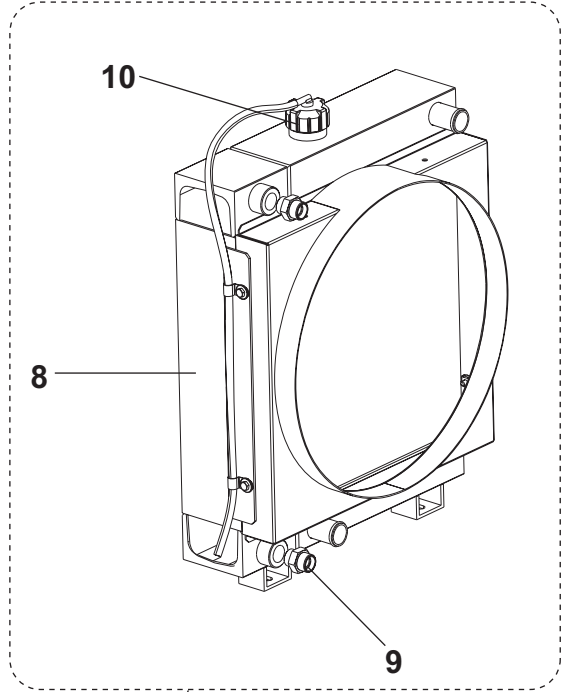
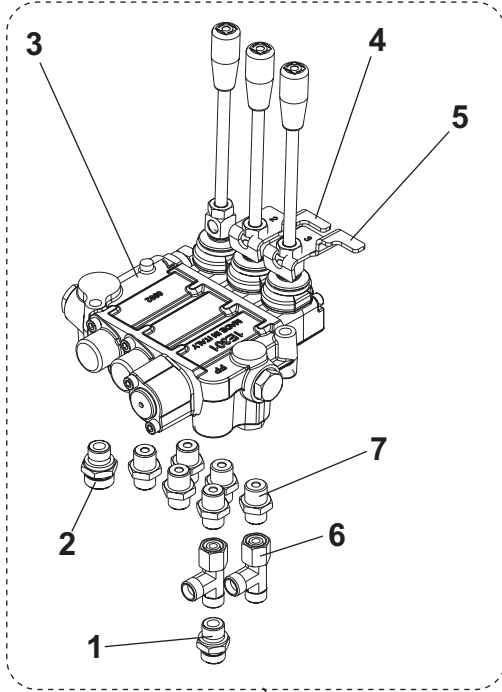
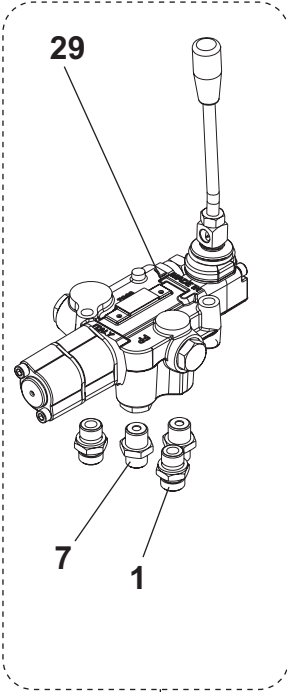
## ASSY HYDRAULIC PLANT



## ASSY HYDRAULIC PLANT

ITEM	REF. NO.	QTY	DESCRIPTION
1	33022292	1	STEERING UNIT KIT
*	33022033	1	GASKET STEERING UNIT
2	33018808	1	CYLINDER POWER STEERING KIT (23-2 SEE PAGE 51)
3	33010199	1	OIL FILTER HYDRAULIC
4	33011530	1	PLUG
5	33001307	1	GASKET
6	33018809	1	TANK OIL KIT (ITEM 22-17-20-21-19-18 SEE PAGE 49)
7	33018810	1	FILTER PRESSURE KIT (ITEM 30-11 SEE PAGE 49)
8	33018793	1	MOTOR DRIVE KIT (ITEM 21-22 SEE PAGE 51)
9	33018802	1	MICRO CYLINDER KIT (ITEM 13-16-15-14 SEE PAGE 49)
10	33018811	1	CYLINDER LIFTING CONTAINERS (ITEM 1-2-3-4-29 SEE PAGE 51)
10A	33021068	1	ADAPTATION FOR CYLINDER W
11	33018873	1	RADIATOR KIT (ITEM 8-9 SEE PAGE 49)
12	33018872	1	MOTOR MAIN BROOM KIT (ITEM 28-1 SEE PAGE 49)
13	33018807	1	MOTOR SIDE BROOM KIT (ITEM 23-24 SEE PAGE 49)
14	33018812	1	DISTRIBUTOR 3 ELEMENTS KIT (ITEM 2-3-4-5-6-7 SEE PAGE 49)
15	33018815	1	DISTRIBUTOR 1 ELEMENT KIT (ITEM 1-7-29 SEE PAGE 49)
16	33018874	1	PUMP GEAR KIT (ITEM 25-26-27 SEE PAGE 51)
17	33022111	1	PUMP DRIVE KIT (ITEM 24-28 SEE PAGE 51)
*	33022094	1	GASKET HYDRAULIC PUMP KIT
17B	33022165	1	PUMP P01 AND BELLHOUSING - DIESEL KIT
17B	33022167	1	PUMP P01 AND BELLHOUSING - PETROL/GPL KIT
#	*	33023034	PINION FOR PUMP TRACTION P01 PKD
18	33020858	1	VALVE PRIORITY KIT (ITEM 17-18-19-20 SEE PAGE 51)
19	33018817	1	CUTOFF VALVE DOUBLE KIT (ITEM 6-12-13-14-15-16 SEE PAGE 51)
20	33018840	2	CUTOFF VALVE KIT (ITEM 10-2 SEE PAGE 51)
21	33020853	1	PIN HYDRAULIC CYLINDER
22	33011529	1	OIL LEVEL
23	33021767	1	CYLINDER BRUSH RIGHT KIT (ITEM 13-14-15-25-26-27 SEE PAGE 49)
24	33021765	1	CYLINDER CENTRAL BRUSH KIT (ITEM 5-6-7-8-9 SEE PAGE 51)
[23]	33020339	1	HYDRAULIC HARDWARE KIT (ITEM 24-25-26-27-28-29-30-31-32-33-34-35)
[24]		4	SCREW M8X20 ISO7380
[25]		4	CAP INSULATING
[26]		2	NUT SELF L. M14 UNI7473
[27]		1	CLAMP HOSE D.45
[28]		1	SCREW THREAD ROLLING
[29]		1	SCREW THREAD ROLLING
[30]		1	PIPE FITTING
[31]		2	WASHER M14 UNI6592
[32]		4	WASHER M5 UNI6592
[33]		4	NUT SELF L. M5 UNI7474
[34]		2	SCREW M5X80 UNI5931
[35]		2	SCREW M6X55 UNI5737
A:	FOR MACHINE AFTER S.N. 103206080 (ALONG WITH REF., 33018811)		
B:	FOR MACHINE AFTER S.N. 3810113400056		

ASSY HYDRAULIC PLANT

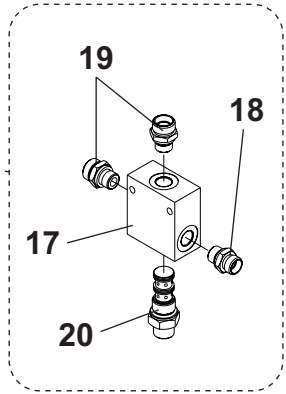
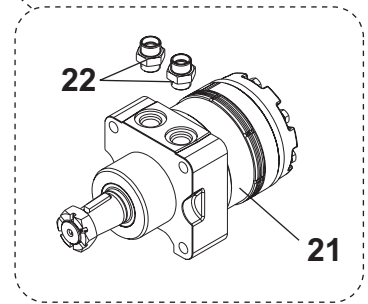
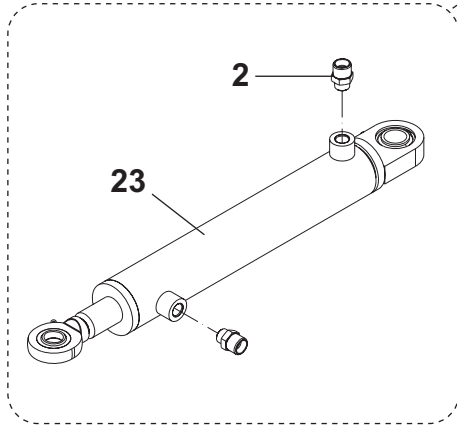
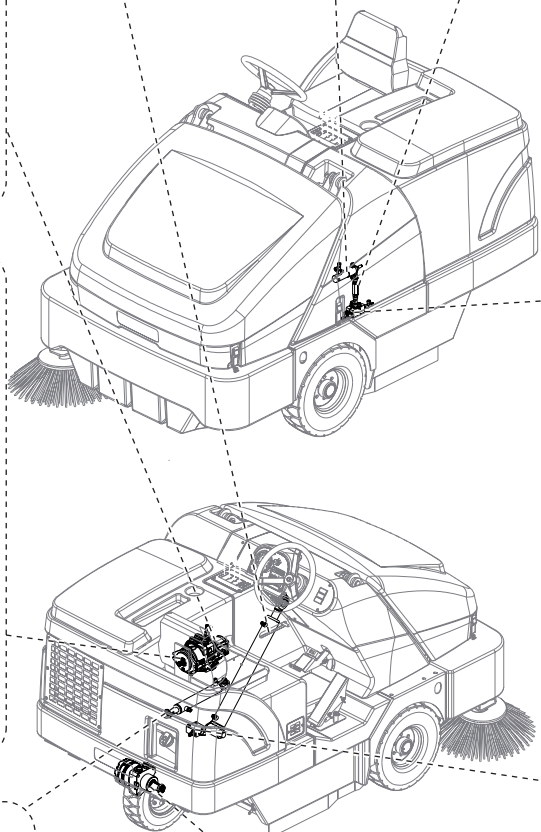
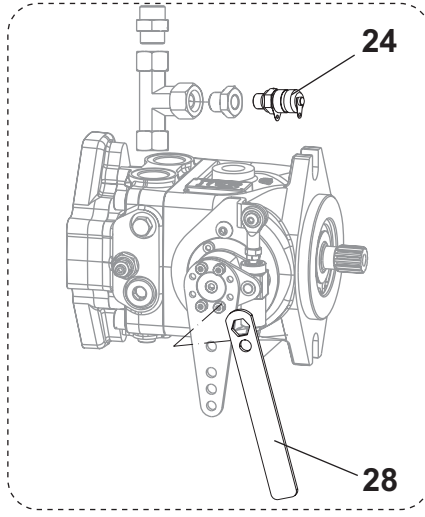
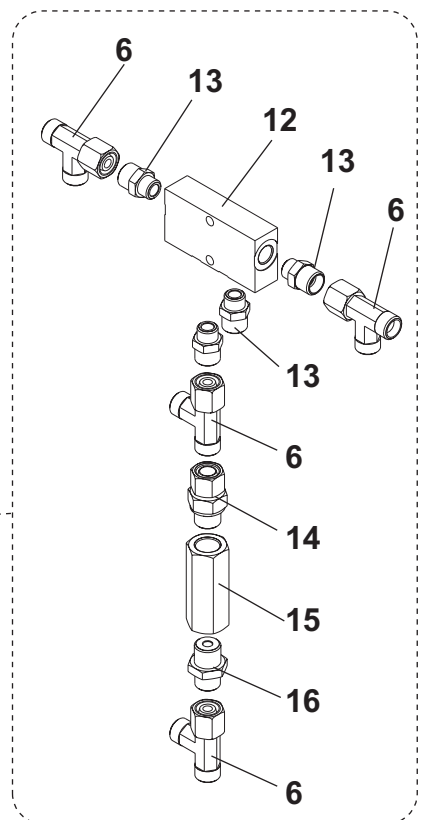
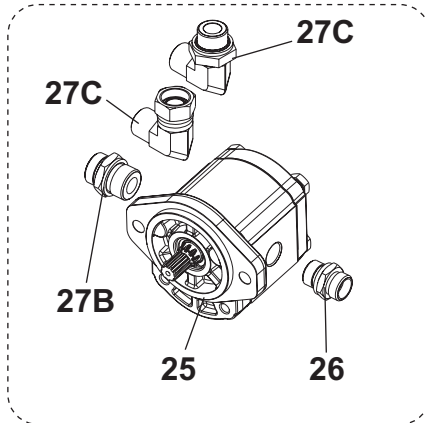
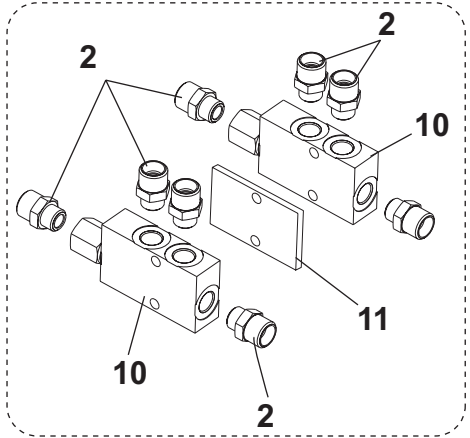
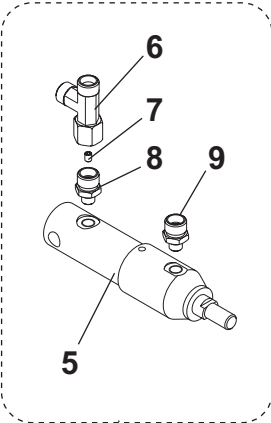
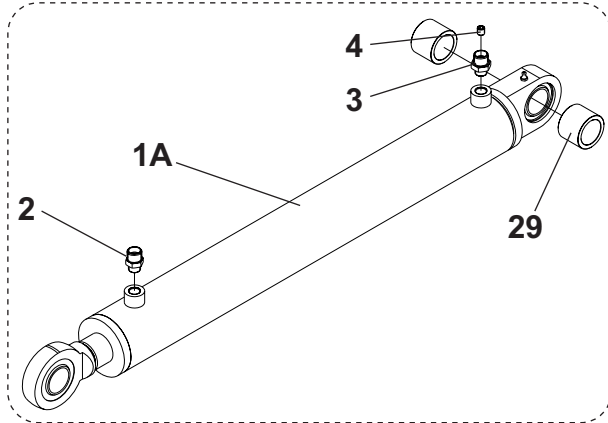


**ASSY HYDRAULIC PLANT**

	ITEM	REF. NO.	QTY	DESCRIPTION
	1	33015917	5	FITTINGS M3/8
	2	33016018	1	FITTINGS M3/8
	3	33017052	1	DISTRIBUTOR 3 ELEMENTS
	4	33017752	1	BRACKET
	5	33017753	1	BRACKET
	6	145 5163 000	2	PIPE FITTING
	7	146 0505 000	8	PIPE FITTING 3/8 D.10
	8	-	1	RADIATOR
	9	146 0079 00	2	FITTING PIPE
	10	33011539	1	CAP EXPANSION TANK
	11	33017431	1	FILTER MEDIUM PRESSUR
	12	33017595	1	CARTRIDGE OIL FILTER
	13	33021255	2	MICRO CYLINDER
	*	33022009	2	GASKET MICRO CYLINDER
	14	33018215	2	DOWEL M5X6 DIAM 0,5
	15	33018222	2	FITTING 1/8
	16	33018375	1	FITTINGS 1/8"
	17	33017432	1	BLOCK HYD. HOSES
	18	33011456	1	CAP 1/2"
	19	145 4291 000	1	COPPER GASKET 1/2"
	20	33018675	1	DOWEL M12 DIAM 4
	21	33018676	1	PIPE FITTING 1/2 D.15
	22	33015757	3	FITTINGS M1/2
	23	33017003	1	MOTOR SIDE BROOM
	*	33020754	1	GASKETS HYDRAULIC MOTOR KIT
	24	33015874	2	ELBOW 90 M1/2
	25	146 0507 000	1	PIPE FITTING T D.10
	26	146 0093 00	1	SCREW W/HOLE 1/8
	27	145 6020 000	2	WASHER BONDED 1/8
#	28A	33023044	1	MOTOR HYDRAULIC 32 CC PKD
#	*A	33023043	1	GASKET MOTOR HYDRAULIC KIT
	*B	33020765	1	GASKET HYDRAULIC PUMP KIT
	29	33017676	1	DISTRIBUTOR 1 ELEMENT
	30	33015348	2	PIPE FITTING
	A:	STARTING FROM S.N. 091508810		
	B:	FOR MACHINE AFTER S.N. 103206080 (FOR REF. 33017004)		



### ASSY HYDRAULIC PLANT

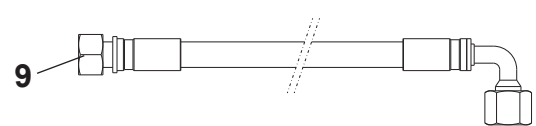
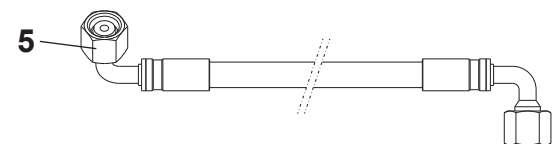
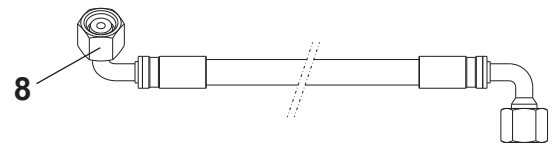
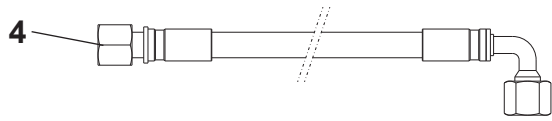
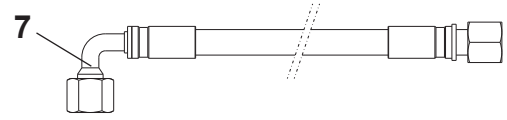
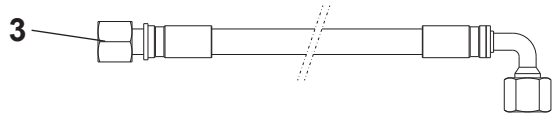
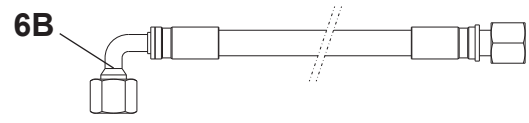
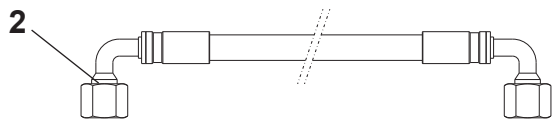
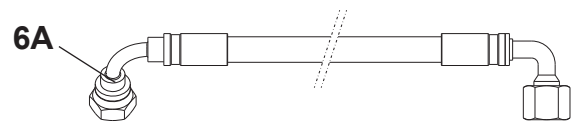
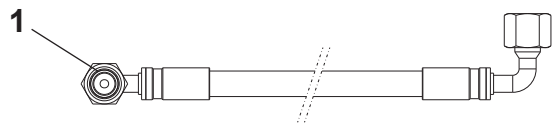
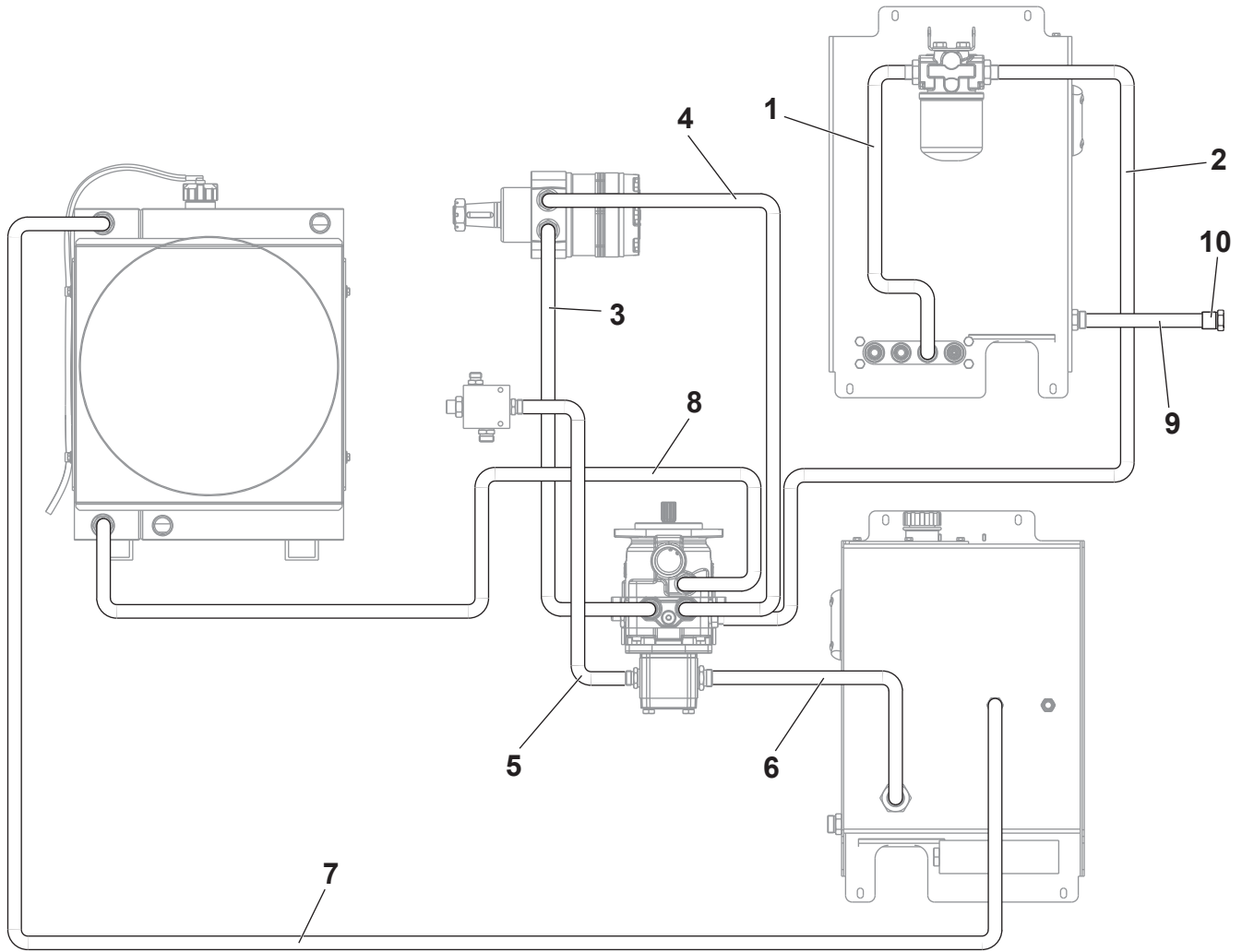




**ASSY HYDRAULIC PLANT**

ITEM	REF. NO.	QTY	DESCRIPTION
1A	33021257	1	CYLINDER HOPPER LIFT
*	33011777	1	GASKET CYLINDER KIT
2	146 2977 000	11	PIPE FITTING 1/4 D. 10
3	33018221	1	FITTING 1/4"
4	33019272	1	DOWEL M8X8 DIAM 1
5	33021255	1	MICRO CYLINDER
*	33022009	1	GASKET MICRO CYLINDER
6	145 5163 000	5	PIPE FITTING
7	33018215	1	DOWEL M5X6 DIAM 0,5
8	33018222	1	FITTING 1/8
9	33018375	1	FITTINGS 1/8"
10	33022294	2	VALVE SIMPLE CHECK
11	33019712	1	PLATE VALVES
12	33010486	1	CUTOFF VALVE 1/4
13	146 2977 000	4	PIPE FITTING 1/4 D. 10
14	33018220	1	FITTINGS M3/8"-F10L
15	33010481	1	VALVE 3/8 NONRETURN
16	146 0505 000	1	PIPE FITTING 3/8 D.10
17	33017165	1	BODY PRIORITY VALVE
18	33015917	1	FITTINGS M3/8
19	33016018	2	FITTINGS M3/8
20	33017690	1	CARTRIDGE PRIORITY VALVE
21	33017002	1	MOTOR DRIVE (ENGINE)
*	33020753	1	GASKETS HYDRAULIC MOT.KIT
22	146 0079 00	2	FITTING PIPE
23	33021256	1	STEERING CYLINDER
*	33011774	1	GASKET CYLINDER KIT
24	33010508	1	PORT, HYDRAULIC TEST 1/4"
25	33017001	1	PUMP DRIVE
*	33020761	1	GASKET HYDRAULIC PUMP KIT
*	33020762	1	GASKETS AND FRONTAL SEALS MOT.KIT
26	33015757	1	FITTINGS M1/2
27B	33018323	1	PIPE FITTING 3/4
27C	33022395	1	ADAPTER 90 CYL 3/4 M-M BSP
27C	33022396	1	ADAPTER 90 CYL 3/4 M-F BSP
28	33022090	1	WRENCH 14
29	33020812	2	SPACER
A:	33021257 - SEE PAGE 49 ITEM 10A AND SPEC.		
B:	33018323 - VALID FOR MACHINE CODE 13300109 BEFORE S.N. 3810123600004		
C:	33022395 / 33022396 - VALID FOR MACHINE CODE 13300109 STARTING S.N. 3810123600004		

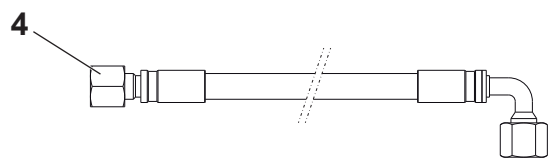
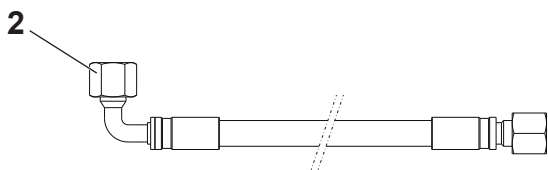
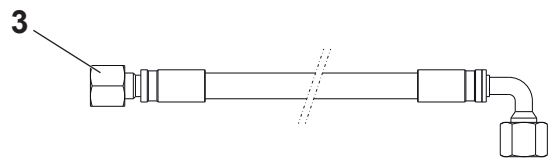
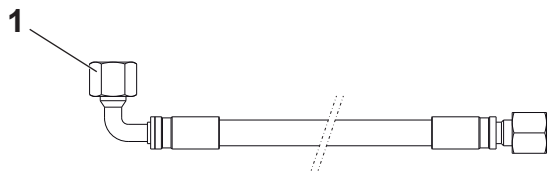
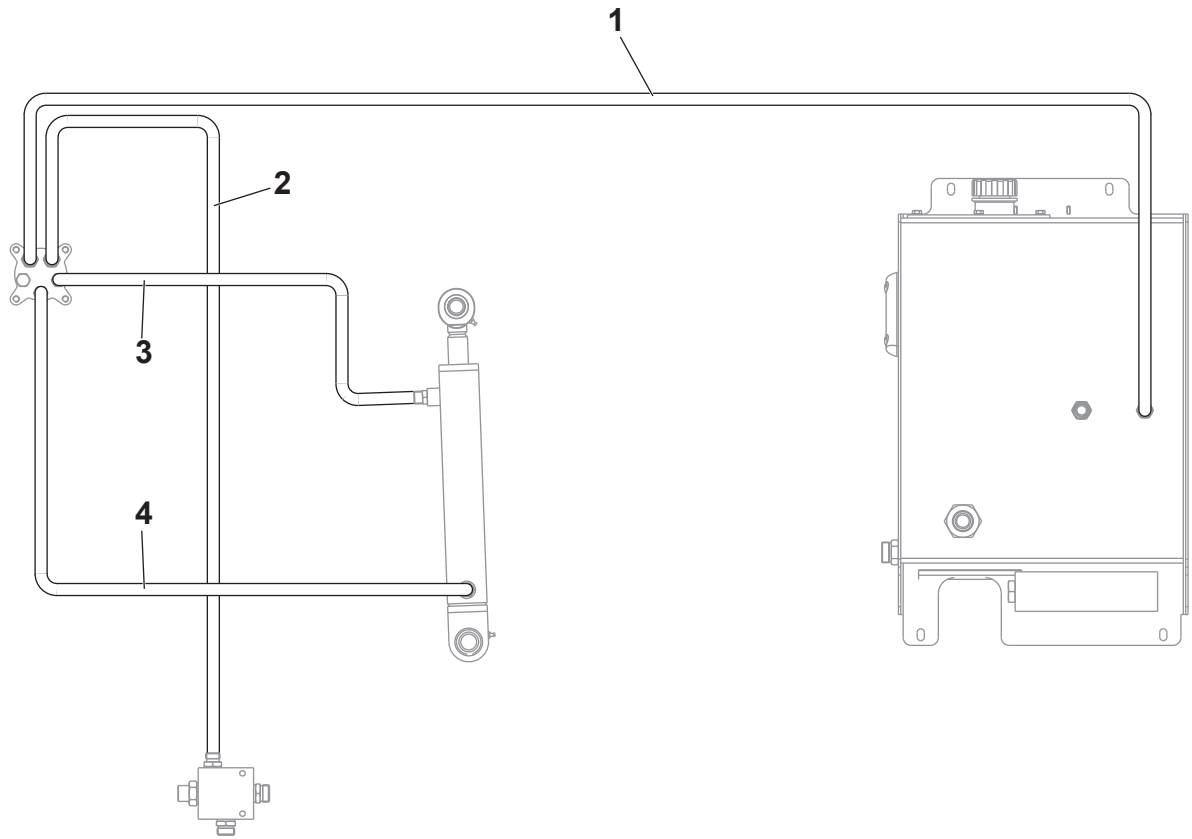
### HYDRAULIC PLANT - DRIVE MOTOR SCHEME



**HYDRAULIC PLANT - DRIVE MOTOR SCHEME**

ITEM	REF. NO.	QTY	DESCRIPTION
1	33017649	1	HOSE HYDRAULIC 1/2 L= 450
2	33017636	1	HOSE HYDRAULIC 1/2 L=1040
3	33017641	1	HOSE HYDRAULIC 1/2 L=1470
4	33017630	1	HOSE HYDRAULIC 1/2 L=1470
5	33020134	1	HOSE HYDRAULIC 1/2 L 500
6A	33017651	1	HOSE HYDRAULIC 3/4 L= 900
6B	33022399	1	HOSE HYDRAULIC R1AT 3/4 L 840
7	33017618	1	HOSE HYDRAULIC 1/2 L=1100
8	33017619	1	HOSE HYDRAULIC 1/2 L 1200
9	33017620	1	HOSE HYDRAULIC 1/2 L 660
10	33011456	1	CAP MALE 1/2
A:	33017651 - VALID FOR MACHINE CODE 13300109 BEFORE S.N. 3810123600004		
B:	33022399 - VALID FOR MACHINE CODE 13300109 STARTING S.N. 3810123600004		

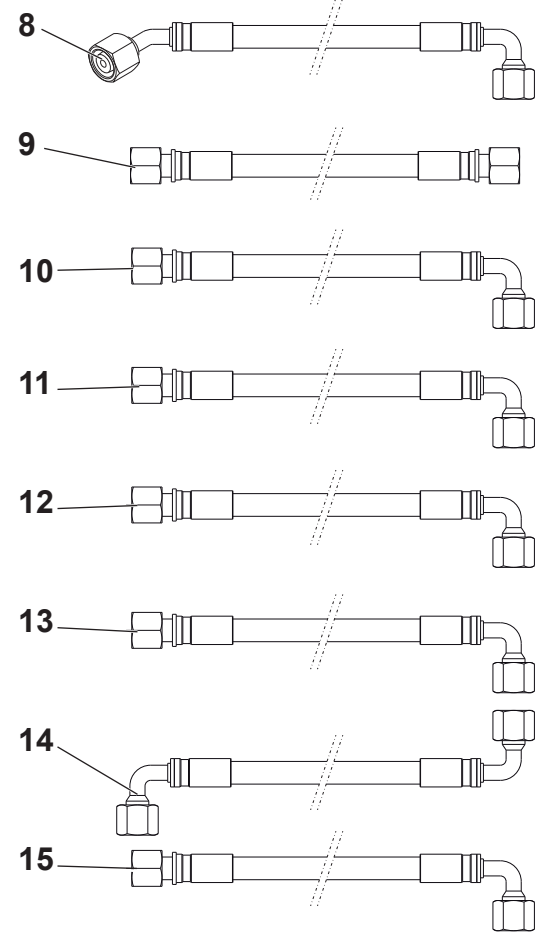
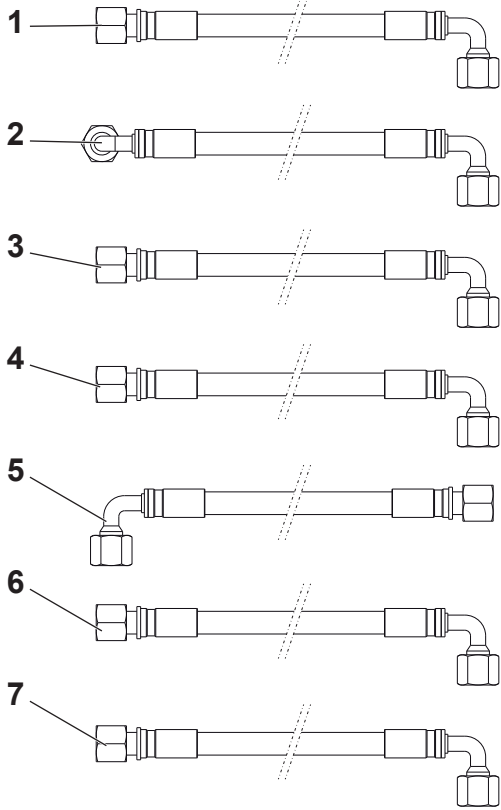
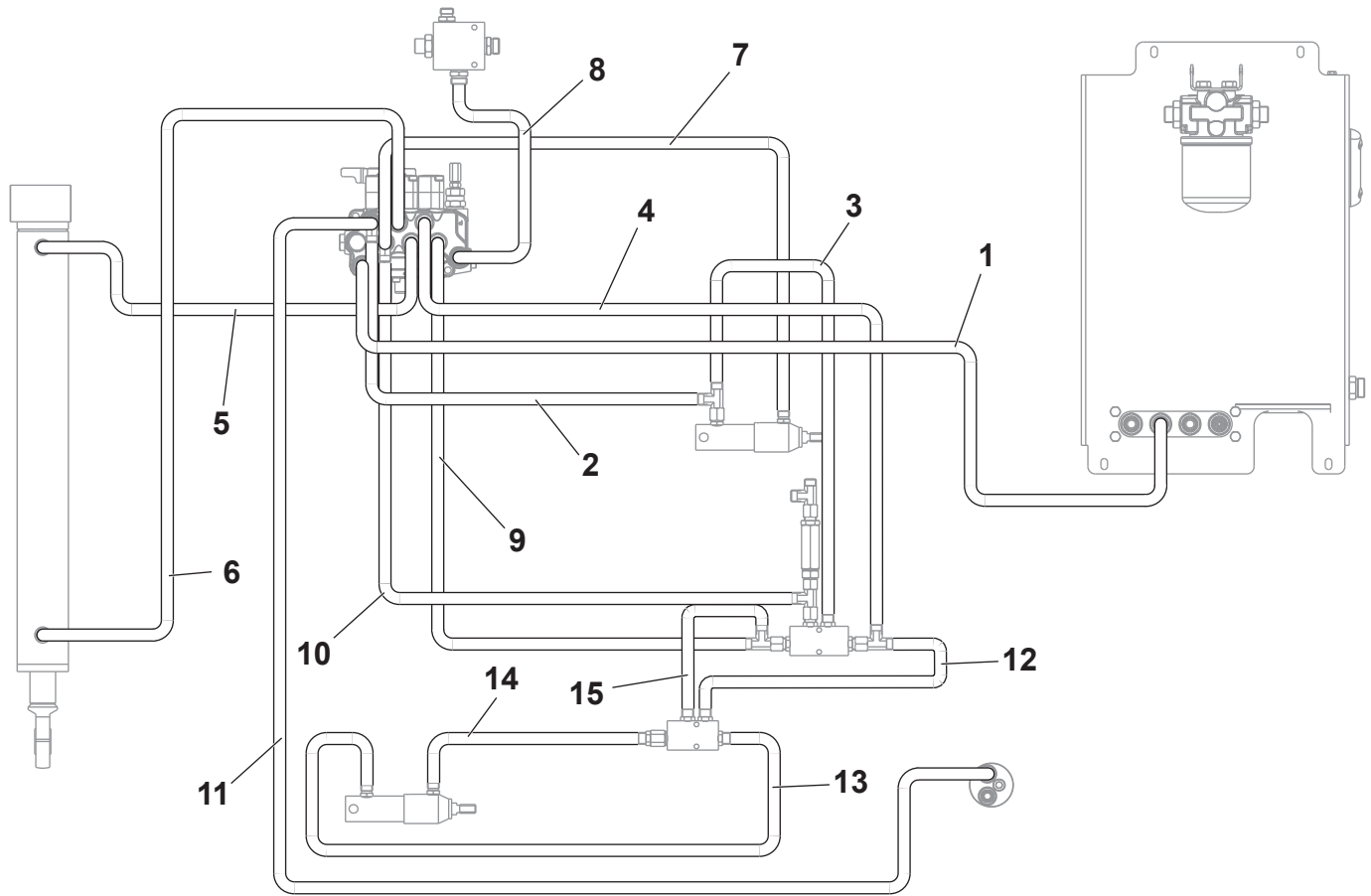
### HYDRAULIC PLANT - STEERING SCHEME



**HYDRAULIC PLANT - STEERING SCHEME**

	ITEM	REF. NO.	QTY	DESCRIPTION
	1	33020136	1	HOSE HYDRAULIC 3/8 L 1000
	2	33020137	1	HOSE HYDRAULIC 3/8 L 1380
	3	33017622	1	HOSE HYDRAULIC 1/4 L=1320
	4	33017625	1	HOSE HYDRAULIC 1/4 L=1000

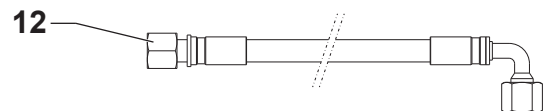
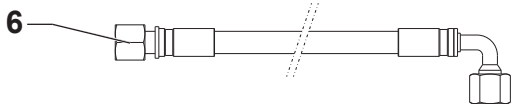
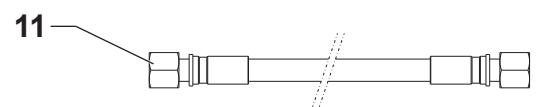
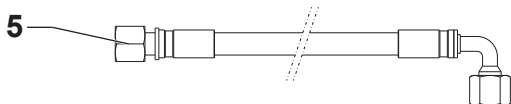
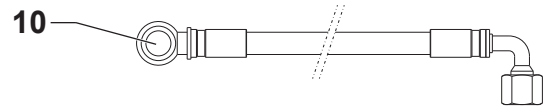
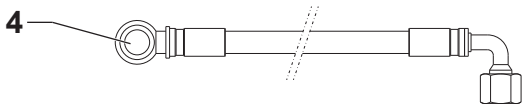
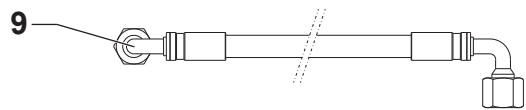
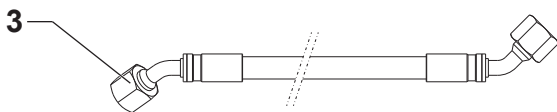
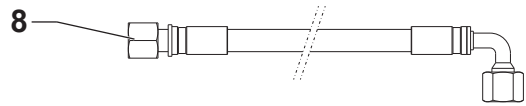
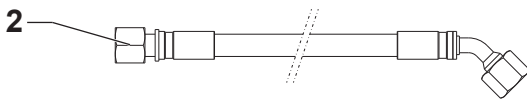
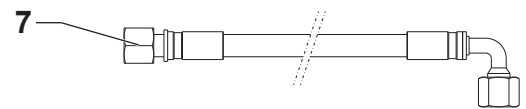
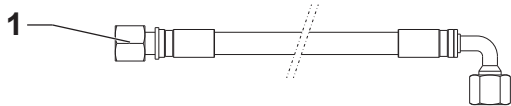
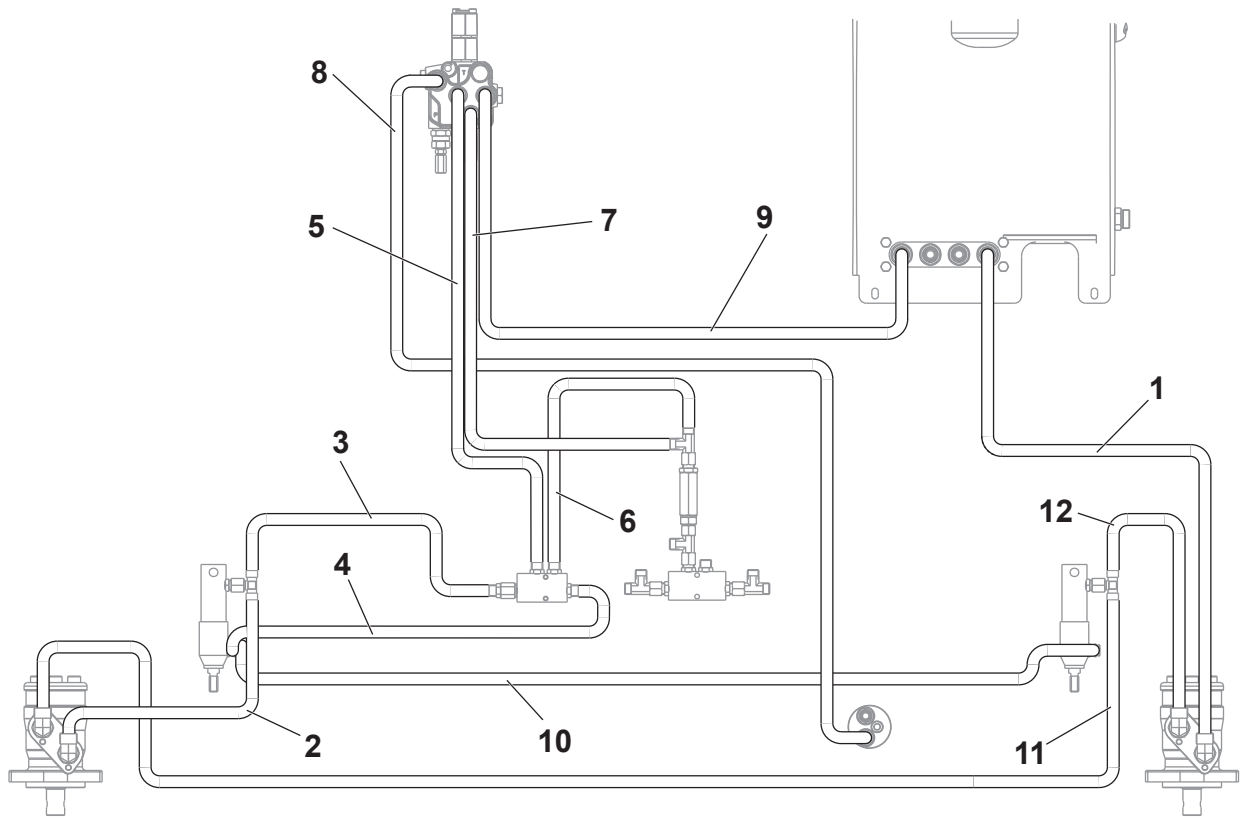
# HYDRAULIC PLANT - FLAP AND HOPPER SCHEME



**HYDRAULIC PLANT - FLAP AND HOPPER SCHEME**

ITEM	REF. NO.	QTY	DESCRIPTION
1	33017650	1	HOSE HYDRAULIC 1/2 L=1050
2	33017635	1	HOSE HYDRAULIC 1/4 L=1580
3	33017634	1	HOSE HYDRAULIC 1/4 L= 500
4	33017628	1	HOSE HYDRAULIC 1/4 L=1560
5	33017652	1	HOSE HYDRAULIC 1/4 L= 650
6	33017627	1	HOSE HYDRAULIC 1/4 L= 460
7	33017632	1	HOSE HYDRAULIC 1/4 L=1650
8	33020135	1	HOSE HYDRAULIC 1/2 L 950
9	33017653	1	HOSE HYDRAULIC 1/4 L=1340
10	33017633	1	HOSE HYDRAULIC 1/4 L=1390
11	33017655	1	HOSE HYDRAULIC 3/8 L=1350
12	33019714	1	HOSE HYDRAULIC 1/4 L= 450
13	33017638	1	HOSE HYDRAULIC 1/4 L=3020
14	33017647	1	HOSE HYDRAULIC 1/4 L=2320
15	33019713	1	HOSE HYDRAULIC 1/4 L= 450

### CHASSIS ASSEMBLY HYDRAULIC PLANT - SIDE BROOM SCHEME

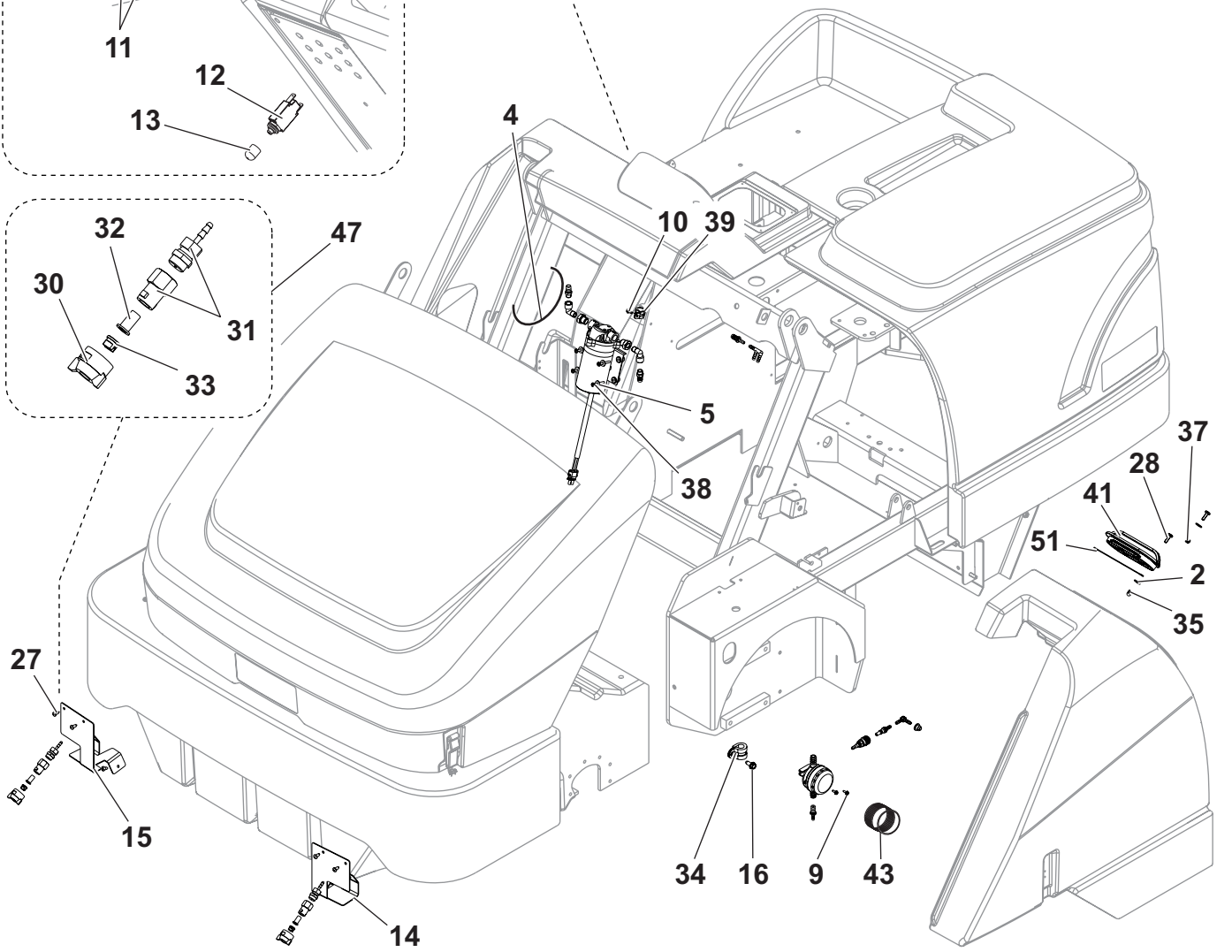
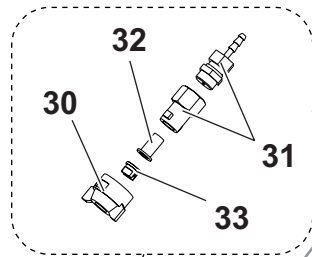
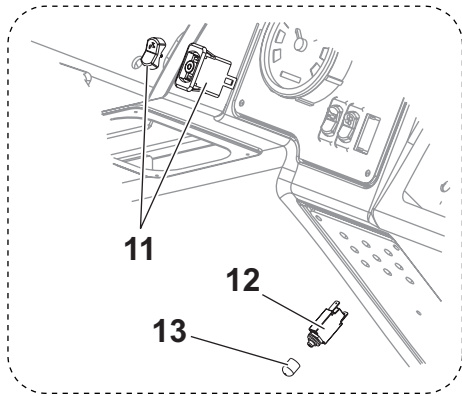
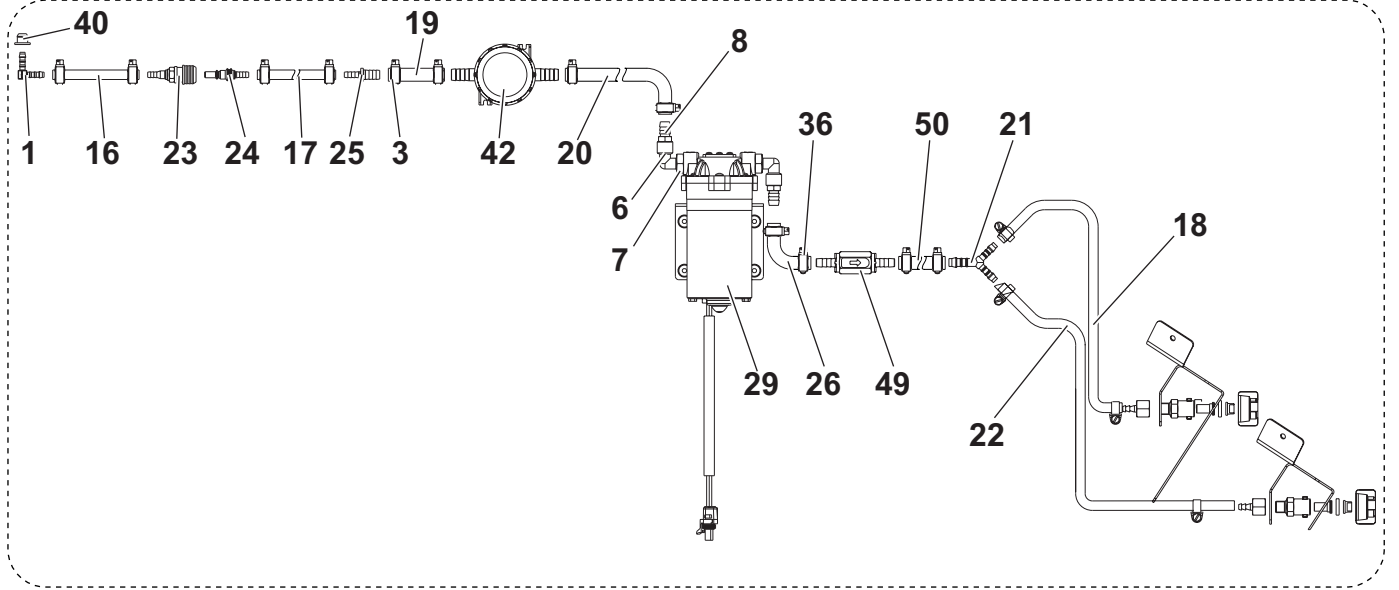




**HYDRAULIC PLANT - SIDE BROOM SCHEME**

	ITEM	REF. NO.	QTY	DESCRIPTION
	1	33017645	1	HOSE HYDRAULIC 1/2 L=2170
	2	33017640	1	HOSE HYDRAULIC 3/8 L= 625
	3	33017654	1	HOSE HYDRAULIC 1/4 L=2600
	4	33017643	1	HOSE HYDRAULIC 1/4 L=3400
	5	33017646	1	HOSE HYDRAULIC 1/4 L=1460
	6	33017637	1	HOSE HYDRAULIC 1/4 L= 330
	7	33017639	1	HOSE HYDRAULIC 1/4 L=1620
	8	33017631	1	HOSE HYDRAULIC 3/8 L=1520
	9	33017648	1	HOSE HYDRAULIC 1/2 L=1050
	10	33017644	1	HOSE HYDRAULIC 1/4 L=2500
	11	33017629	1	HOSE HYDRAULIC 3/8 L=2900
	12	33017642	1	HOSE HYDRAULIC 3/8 L= 660

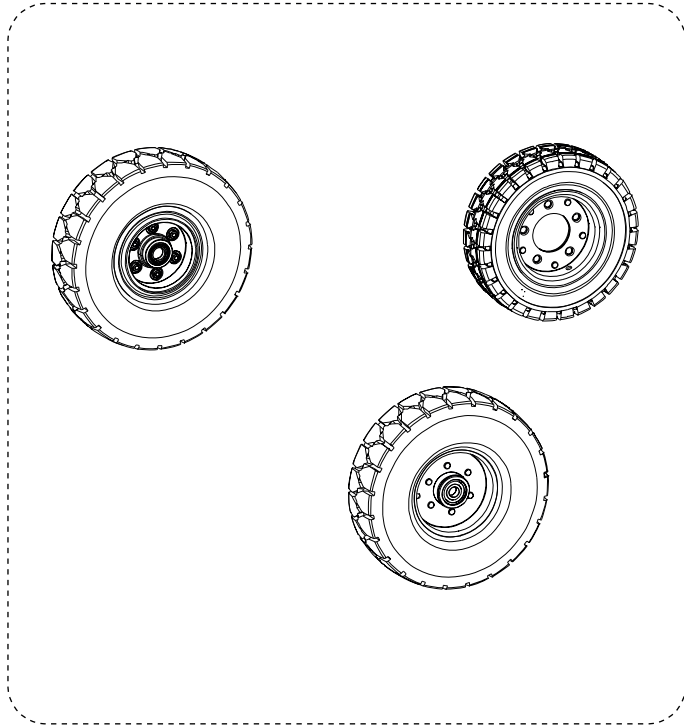
ACCESSORIES



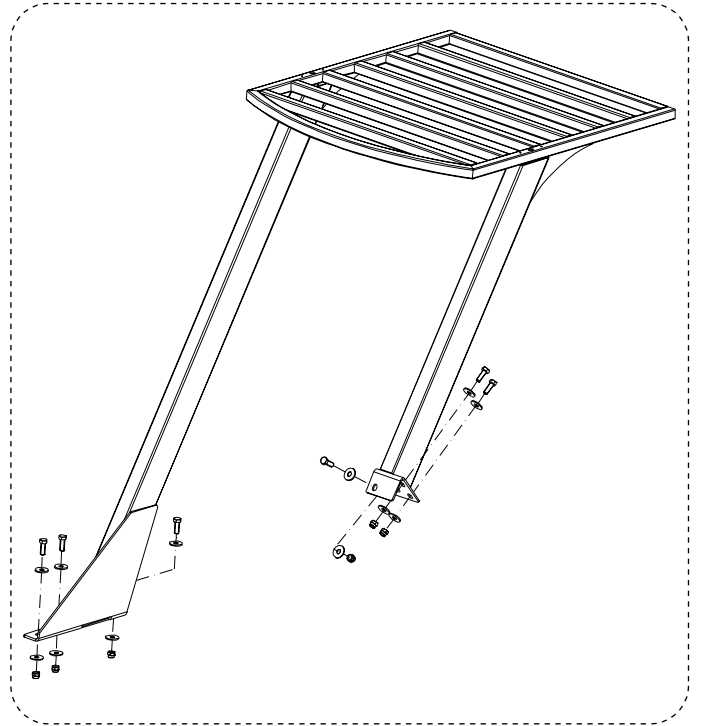
**ACCESSORIES**

	ITEM	REF. NO.	QTY	DESCRIPTION
	1	33020824	1	ELBOW 90. D. 8 NYLON
	2		2	WASHER 6X18X1.5 UNI6593
	3		8	CLAMP
	4		6	CLAMP 9X350
	5		4	WASHER 5X15 UNI6593
	6	33011224	2	FITTING1/4
	7	33011494	2	REDUCTION GEAR MF 3/8 1
	8	33011522	2	RUBBER SEAL HOLDER 1/4 D
	9		2	SCREW THREAD ROLLING
	10		1	SCREW THREAD ROLLING
	11	33019325	1	SWITCH WATER FLUSHING KIT (SW6)
	12	33017361	1	BREAKER CIRCUIT 10A (F3)
	13	33017386	1	BOOT CIRCUIT BREKER
	14	33017927	1	BRACKET LEFT SIDE
	15	33017928	1	BRACKET RIGHT SIDE
	16		2	SCREW THREAD ROLLING
	17		1	HOSE CRISTAL 6X11 L 480
	18		1	HOSE CRISTAL 6X11 L 2020
	19		1	HOSE D.10 L 65
	20		1	HOSE D.10 L 1400
	21	33020820	1	ELBOW Y D.6-8-6
	22		1	HOSE CRISTAL 6X11 L 2740
#	23	1465915000	1	CONNECTOR
#	24	1465916000	1	CONNECTOR
#	25	9100000453	1	FITTING STRAIGHT REDUCER
	26		1	HOSE D.10 L 60
	27		6	SCREW 6X20
	28		2	SCREW M6X20
	29	33019329	1	PUMP WATER KIT (M3)
	30	33020817	2	RING NUT QUICK COUPLING
	31	33020865	2	ADAPTER SPRAY KIT
	32	33022026	2	FILTER NOZZLE SPRAY
	33	33020816	2	NOZZLE SPRAY
	33	33022072	2	NOZZLE SPRAY 0.53
	34		1	COLLAR D.10
	35		1	NUT HEX M6 UNI5721
	36	145 8582 000	8	CLAMP HOSE
	37		1	NUT SELF LOCKING M6 SS
	38		4	SCREW 4.5X40
	39		1	CLAMP HOSE D.18
	40	909 6089 000	1	CHOCK D.18
	41	9097385000	1	CAP SOLUTION TANK
	42	9100000362	1	FILTER WATER
#	43	9099481000	1	NET WATER FILTER REINFORCED
	[45]*	<b>33019175</b>	<b>1</b>	<b>PRE MISTING SYSTEM 12V KIT</b>
		33019169	1	INSTRUCTIONS ASSEMBLY
	[46]	33019326	1	HOSES/FITTINGS MISTING SYSTEM KIT (ITEM 21-23-24-25-6-7-8-3-4-39-40-1-17-18-19-20-26-22)
	47	33019324	2	NOZZLE SPRAY KIT (ITEM 30-31-32-33)
	49A	33021303	1	KIT CHECK VALVE
	50A		1	HOSE D.10 L 780
	50A	33022092	1	HOSE POLYESTER YARN REINF. D.10
	51	9097485000	1	CABLE OPENING CAP
	A:	SEE TSB IT 2012-083		

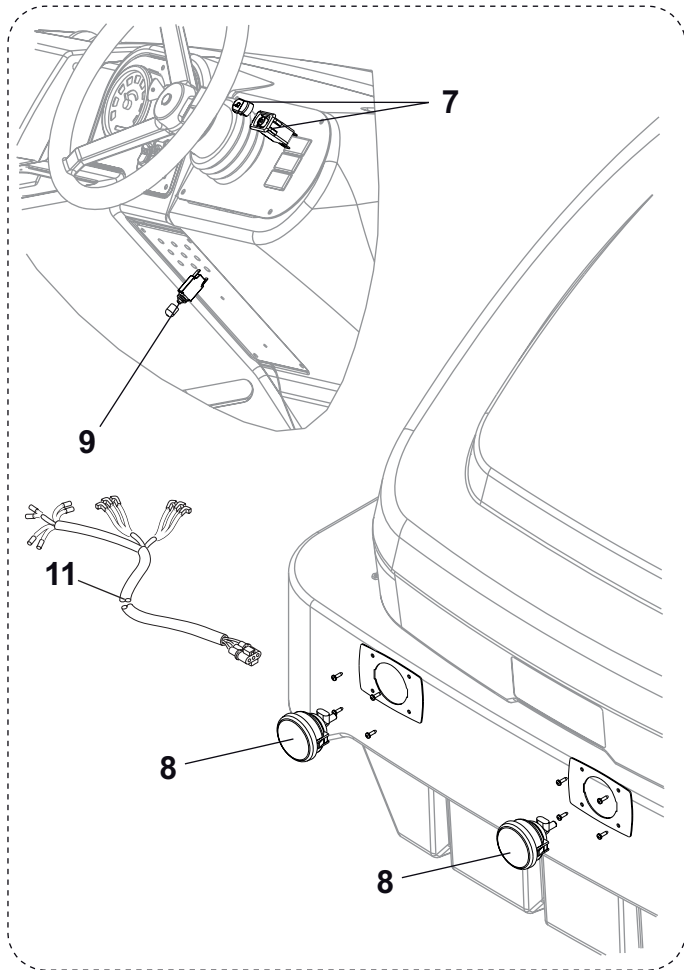
ACCESSORIES



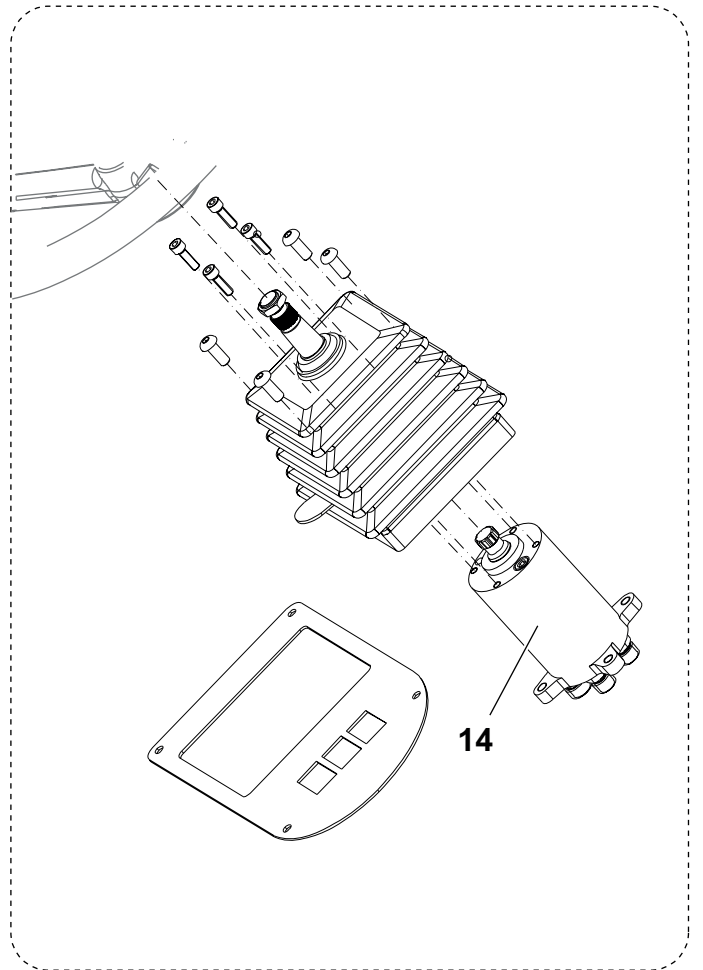
1



2



5

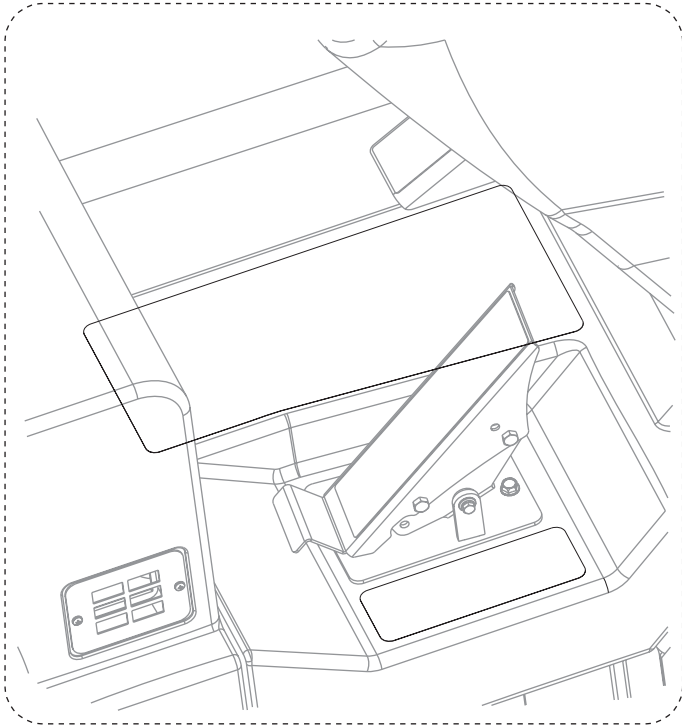


12

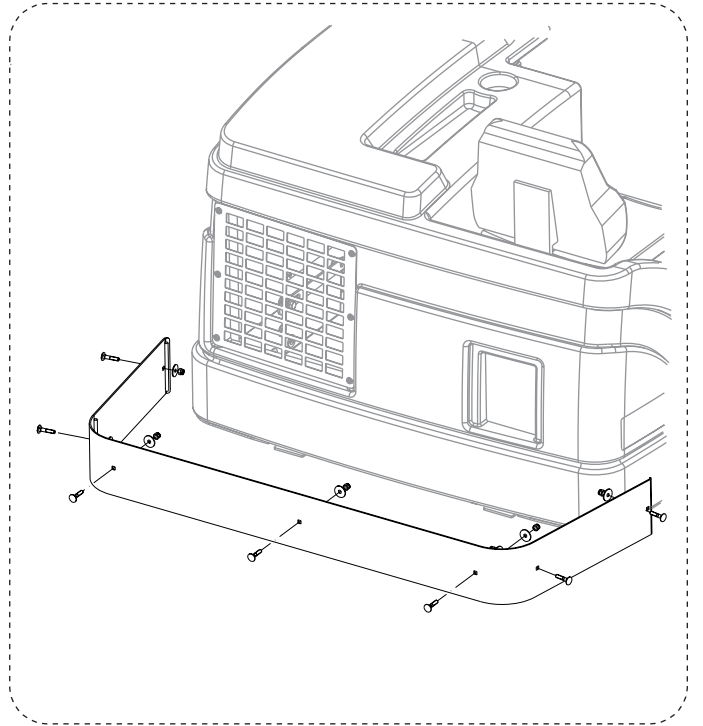
## ACCESSORIES

	ITEM	REF. NO.	QTY	DESCRIPTION
	1*	33022245	1	<b>FOAMED WHEEL KIT</b>
			2	FRONT WHEEL FOAMED 5.00-8
			1	REAR WHEEL FOAMED 4.00/8
	2*	33019171	1	<b>OVER HEAD GUARD KIT</b>
		33020629	1	INSTRUCTIONS ASSEMBLY
			6	NUT SELF L. M12 UNI7473
			6	SCREW M12X35 UNI5739
			12	WASHER 12X36X3 UNI6593
			1	OVER HEAD GUARD
	[3]*	56508663	1	<b>MIRROR KIT</b>
		56040968	1	INSTRUCTIONS ASSEMBLY
	5*	33019558	1	<b>FRONT LIGHT 12V KIT</b>
		33019201	1	INSTRUCTIONS ASSEMBLY
	7	33019736	1	SWITCH FRONT LIGHT
	8	146 1587 000	2	HEADLIGHT (L1 - L2)
	9	33017361	1	BREAKER CIRCUIT 10A (F6)
	[10]	146 1588 000	2	LAMP
	11	33019219	1	HARNES FRONT HEADLIGHT 12V
			2	PLATE FOR FRONT LIGHT
			8	SCREW 4.8X19 UNI6954
	12*	33019174	1	<b>TILT STEERING KIT</b>
		33019157	1	INSTRUCTIONS ASSEMBLY
	14	33022286	1	STEERING UNIT KIT
	*	33022033	1	GASKET STEERING UNIT
			4	SCREW M6X20 UNI5931
			1	STEERING TILT
			1	STEERING WHEEL
			1	COVER PLATE TILT STEERING
#	[15]*	56507039	1	<b>AMBER STROBE LIGHT FOR USE WITH OHG</b>
#		56040899	1	ASSEMBLY INSTRUCTION
#	[16]	33022486	1	HARNES BEACON FOR OHG KIT
#		33022485	1	ASSEMBLY INSTRUCTION
#	[17]*	56507038	1	<b>FLASHING BEACON</b>
#		56040898	1	INSTALLATION INSTRUCTIONS
#	[18]	33022681	1	HARDWARE BEACON KIT

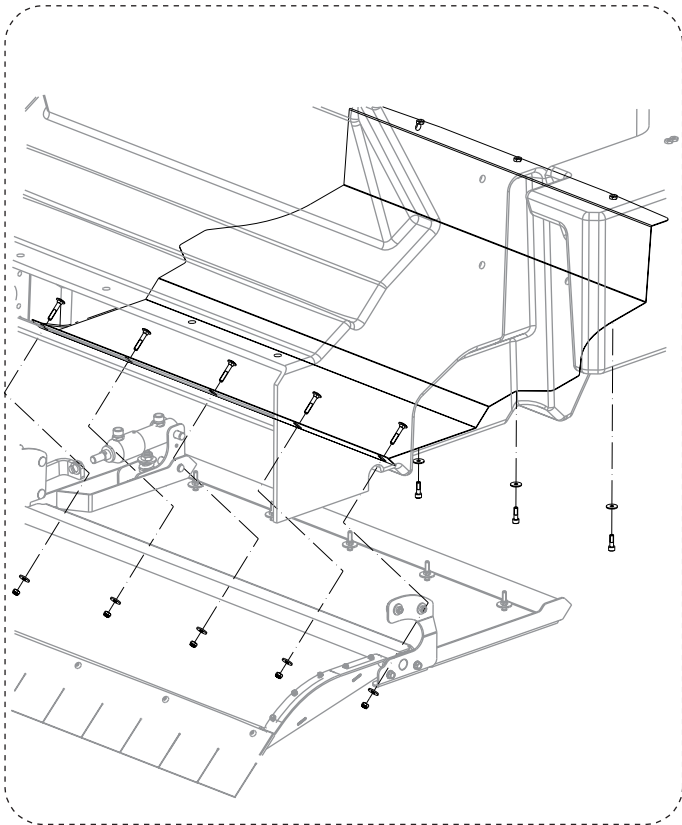
ACCESSORIES



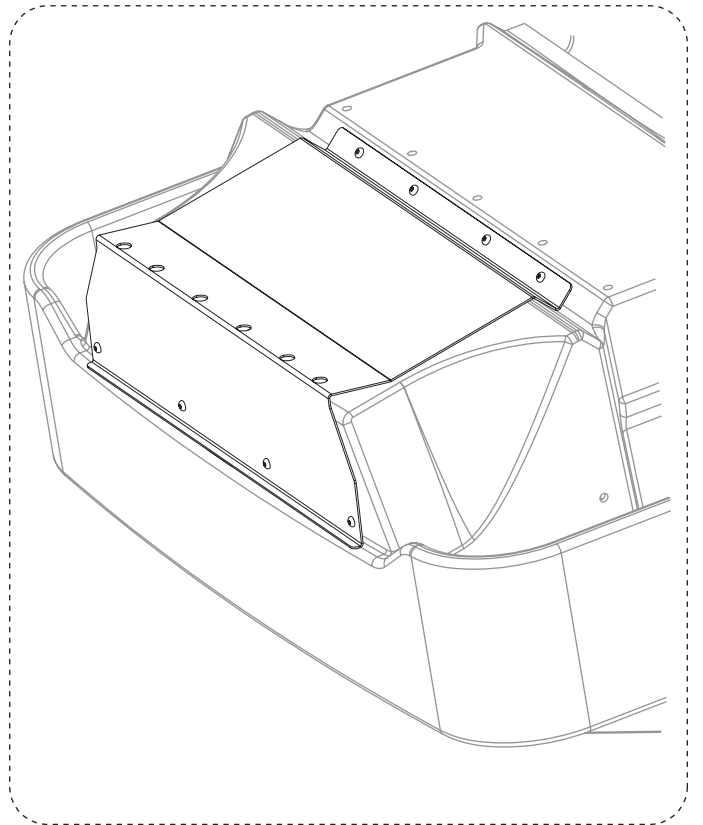
1



3



5

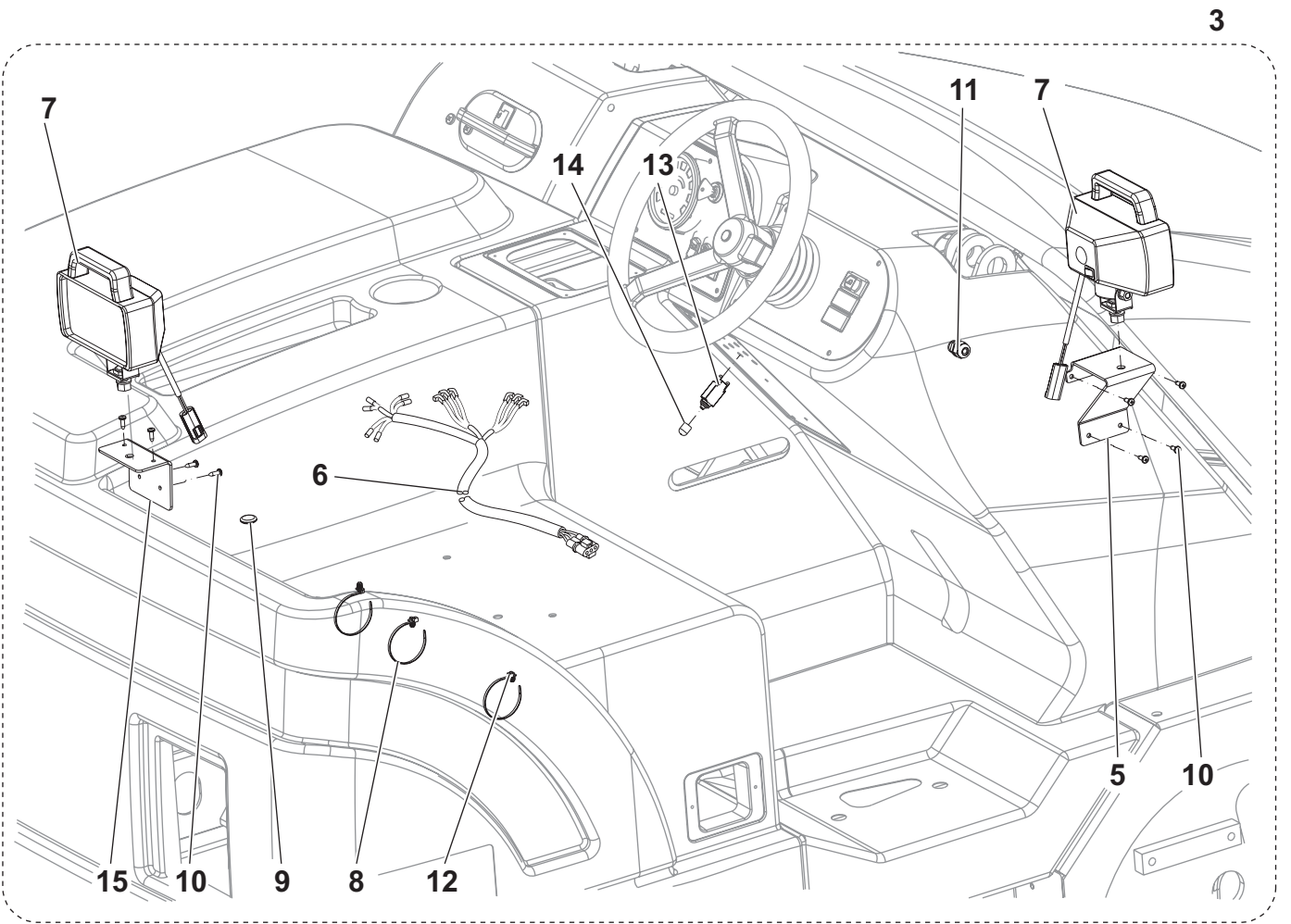
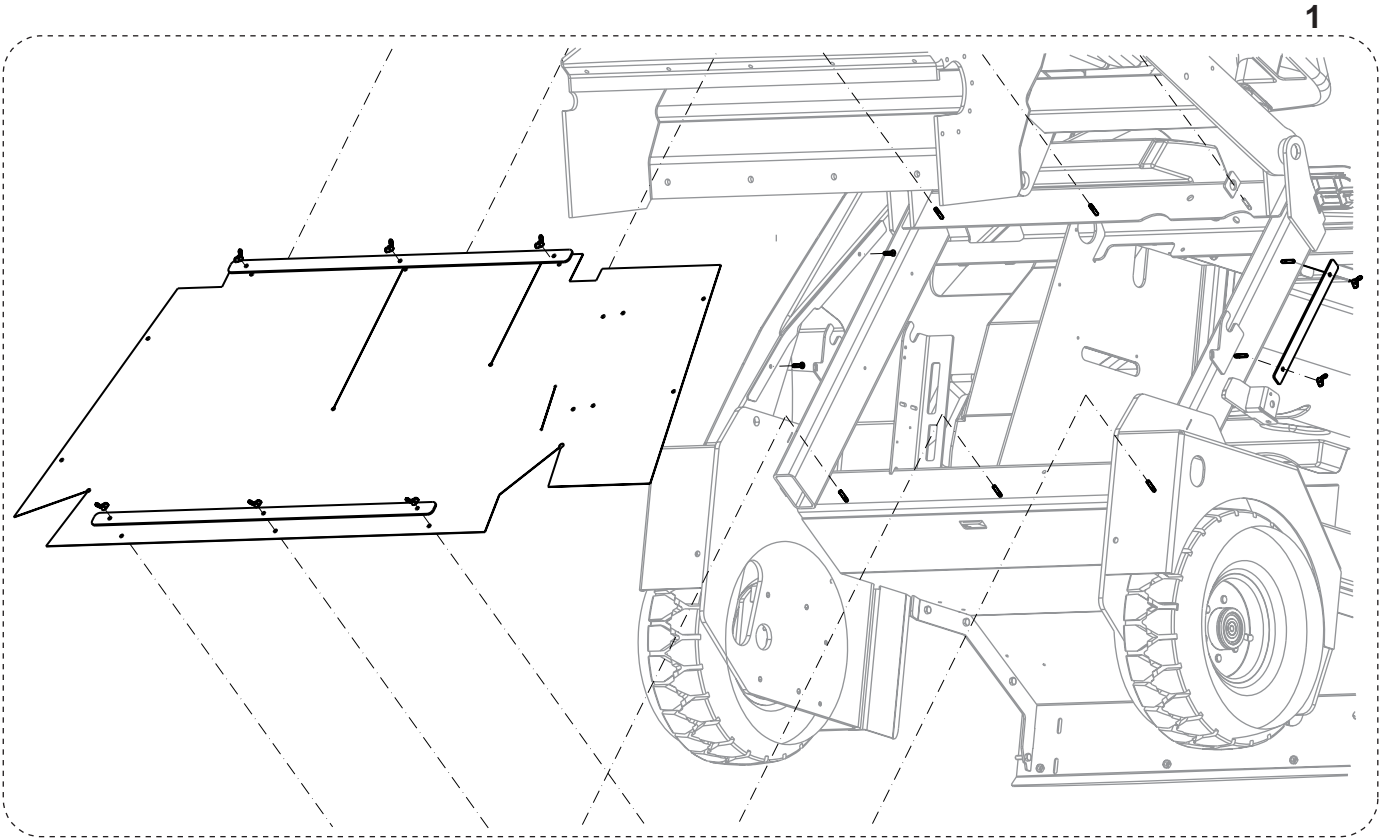


7

**ACCESSORIES**

	ITEM	REF. NO.	QTY	DESCRIPTION
	<b>1*</b>	<b>33019570</b>	<b>1</b>	<b>MAT FLOOR KIT</b>
		33019195	1	INSTRUCTIONS ASSEMBLY
			1	ANTI SLIP SURFACE
			1	ANTI SLIP SURFACE
	<b>3*</b>	<b>33019572</b>	<b>1</b>	<b>GUARD REAR BUMPER KIT</b>
		33019205	1	INSTRUCTIONS ASSEMBLY
			7	NUT SELF L. M8 UNI7473
			7	SCREW M8X40 UNI5731
			7	WASHER 8X32X2
			1	BUMPER REAR
	<b>5*</b>	<b>33019573</b>	<b>1</b>	<b>METAL LINER HOPPER KIT</b>
		33019207	1	INSTRUCTIONS ASSEMBLY
			3	WASHER 6X18 UNI6592
			3	SCREW M6X20 UNI5931
			1	PROTECTION HOPPER
	<b>7*</b>	<b>33021392</b>	<b>1</b>	<b>FRONT PROTECTION KIT</b>
		33021393	1	INSTRUCTIONS ASSEMBLY

ACCESSORIES



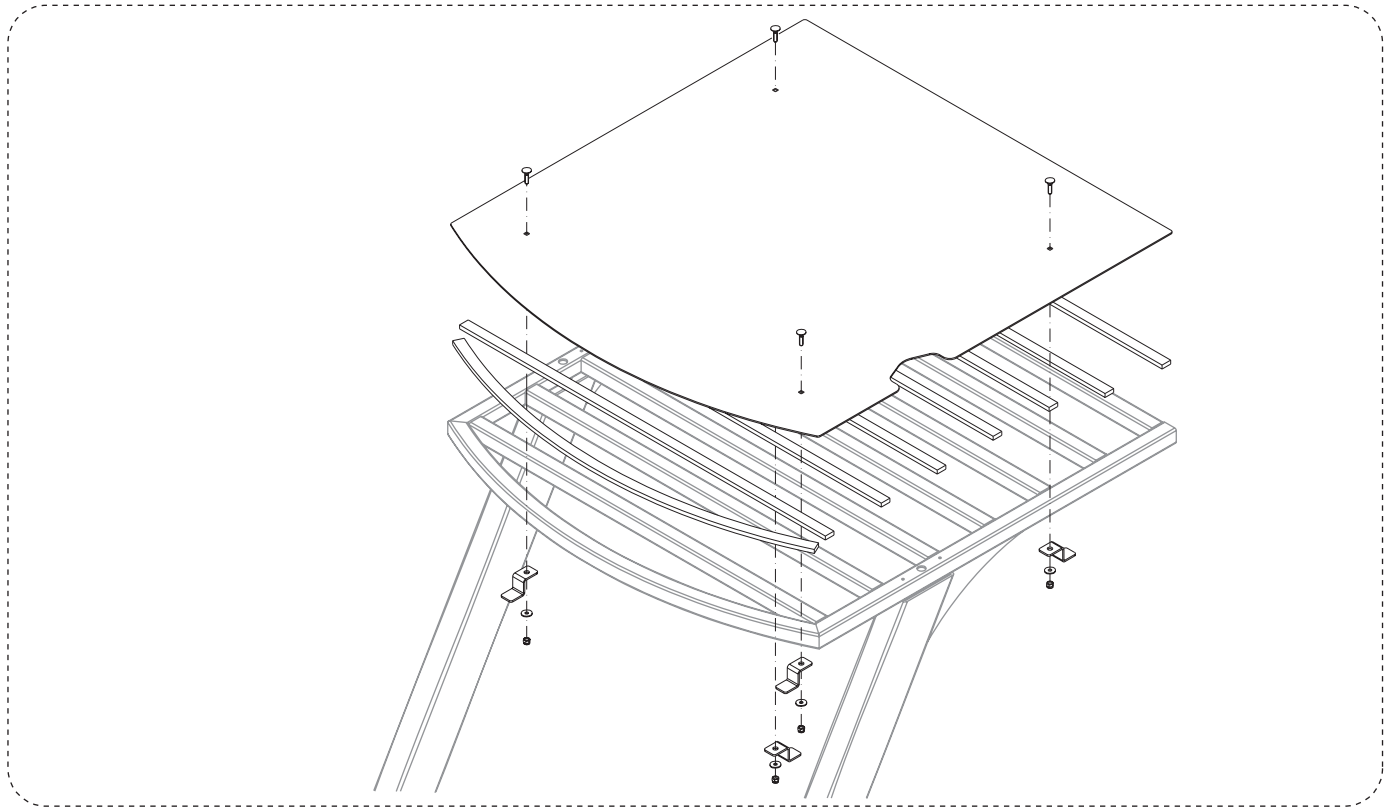


**ACCESSORIES**

	ITEM	REF. NO.	QTY	DESCRIPTION
	1	33020372	1	HOPPER DUST FLAP KIT
		33020373	1	INSTRUCTIONS ASSEMBLY
	<b>3*</b>	<b>33020298</b>	<b>1</b>	<b>WORKING LIGHT 12V KIT</b>
		33020293	1	INSTRUCTIONS ASSEMBLY
	5	33020296	1	BRACKET SIDE LIGHT
	6	33020313	1	CABLE WORKING LIGHT
	7	33020351	2	LIGHT WORKING 12V
	8		3	CLAMP
	9		1	CLAMP
	10		8	SCREW 4.8X16 UNI6954
	11		1	CLAMP CABLE
	12		3	TIE INSERT PLASTIC
	13	33017360	1	BREAKER CIRCUIT 16A
	14		1	BOOT CIRCUIT BREKER
	15	33020294	1	BRACKET REAR LIGHT

ACCESSORIES

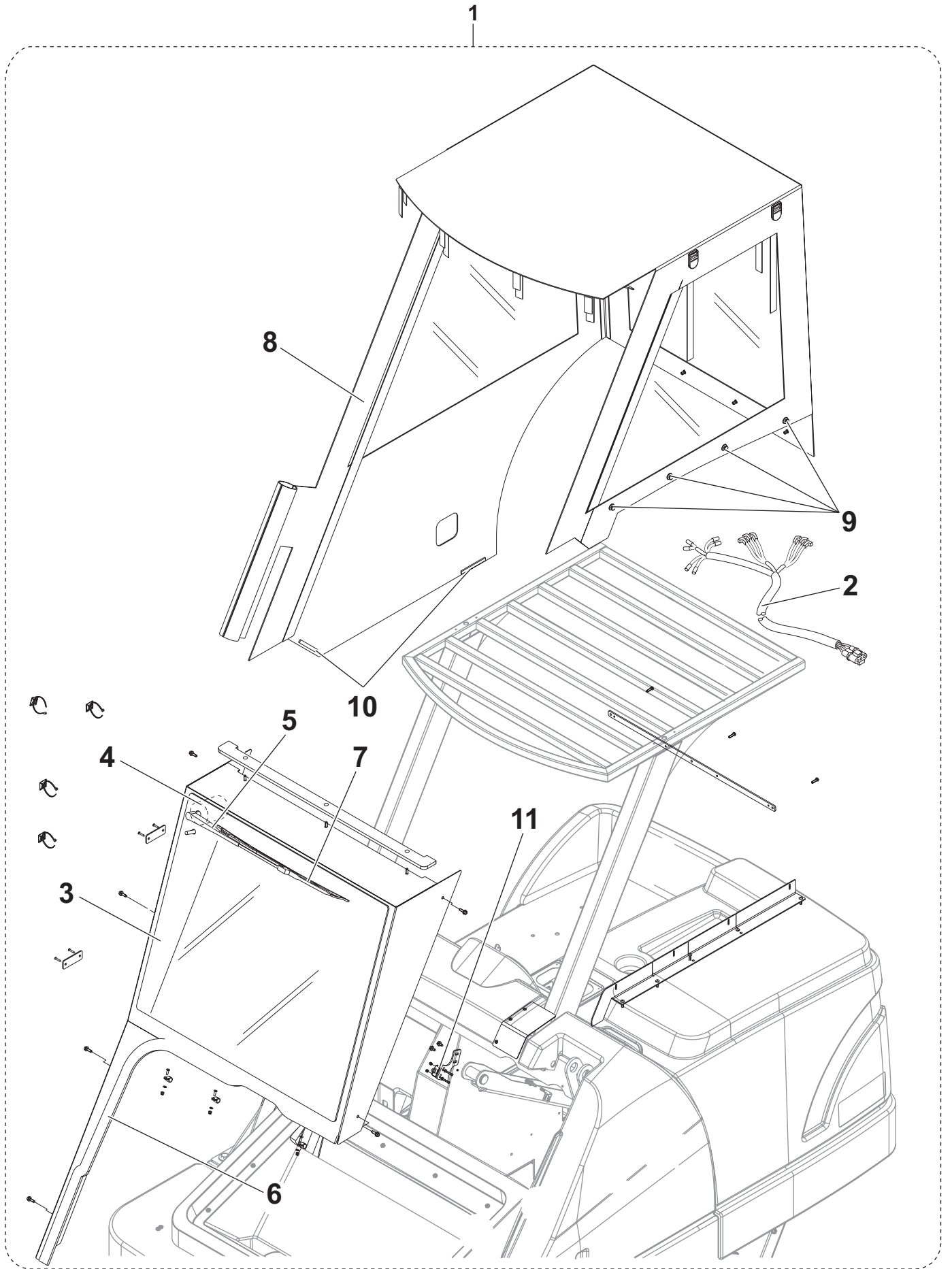
2



**ACCESSORIES**

	ITEM	REF. NO.	QTY	DESCRIPTION
	2*	33020052	1	CANOPY KIT
		33020051	1	INSTRUCTIONS ASSEMBLY

ACCESSORIES

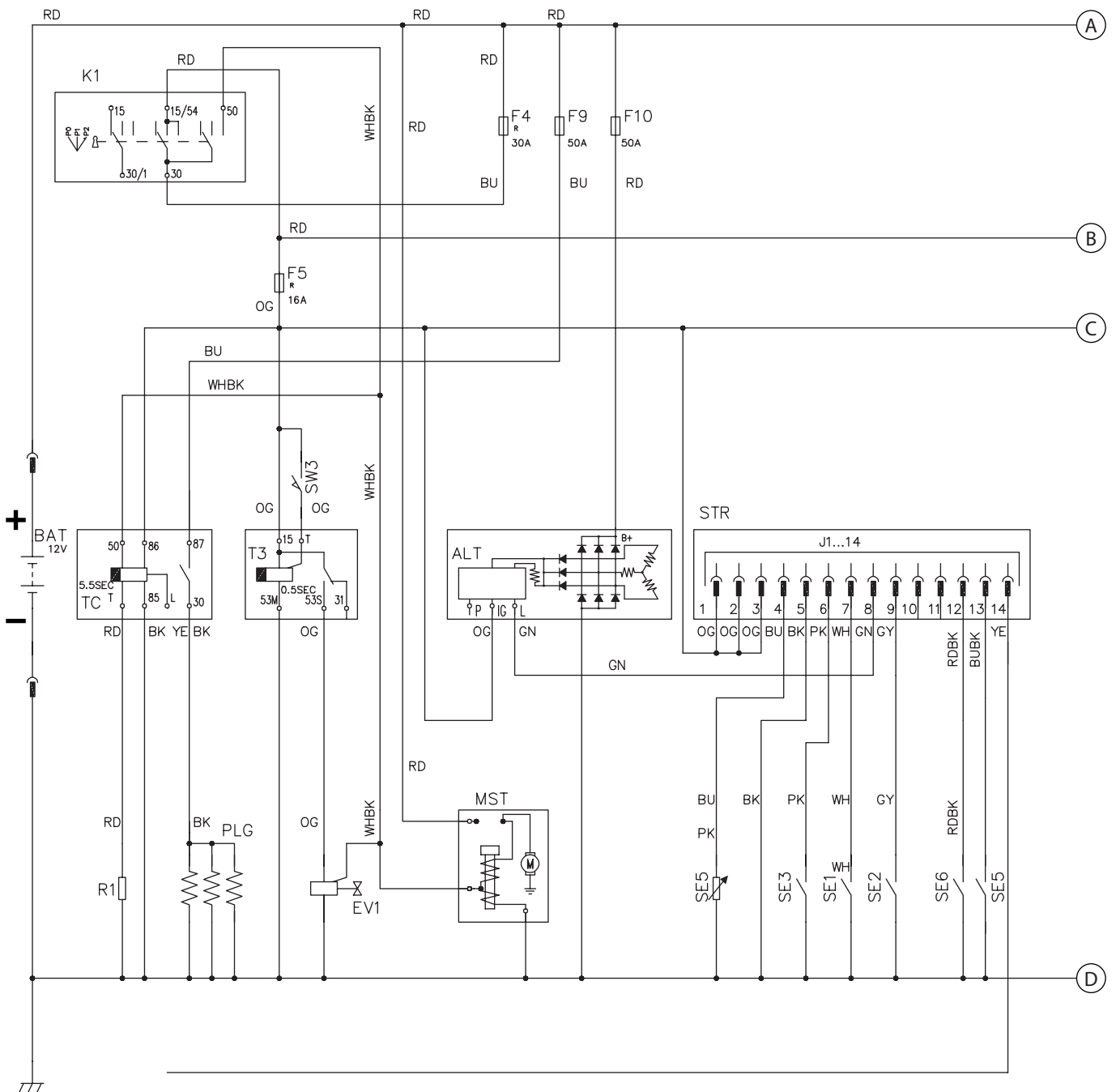


**ACCESSORIES**

	ITEM	REF. NO.	QTY	DESCRIPTION
	1*	33020002	1	CANOPY KIT
		33020001	1	INSTRUCTIONS ASSEMBLY
	2	33020456	1	HARNESS WINDSCREEN WIPER
	3	33020288	1	WINDSCREEN
	4	33020457	1	MOTOR WINDSCREEN WIPER
	5	33020571	1	ARM WINDSCREEN WIPER
	6	33020623	1	GASKET
	7	33020460	1	WINDSCREEN WIPER
	8	33020292	1	CABIN SOFT
	9	33020461	8	COUPLING QUICK LOCK
	10	33020611	2	MAGNET FIXING CABIN
	11	33020459	1	MICROSWITCH 16A 250V

WIRING DIAGRAM 3 CYL. DIESEL - PAGE 1

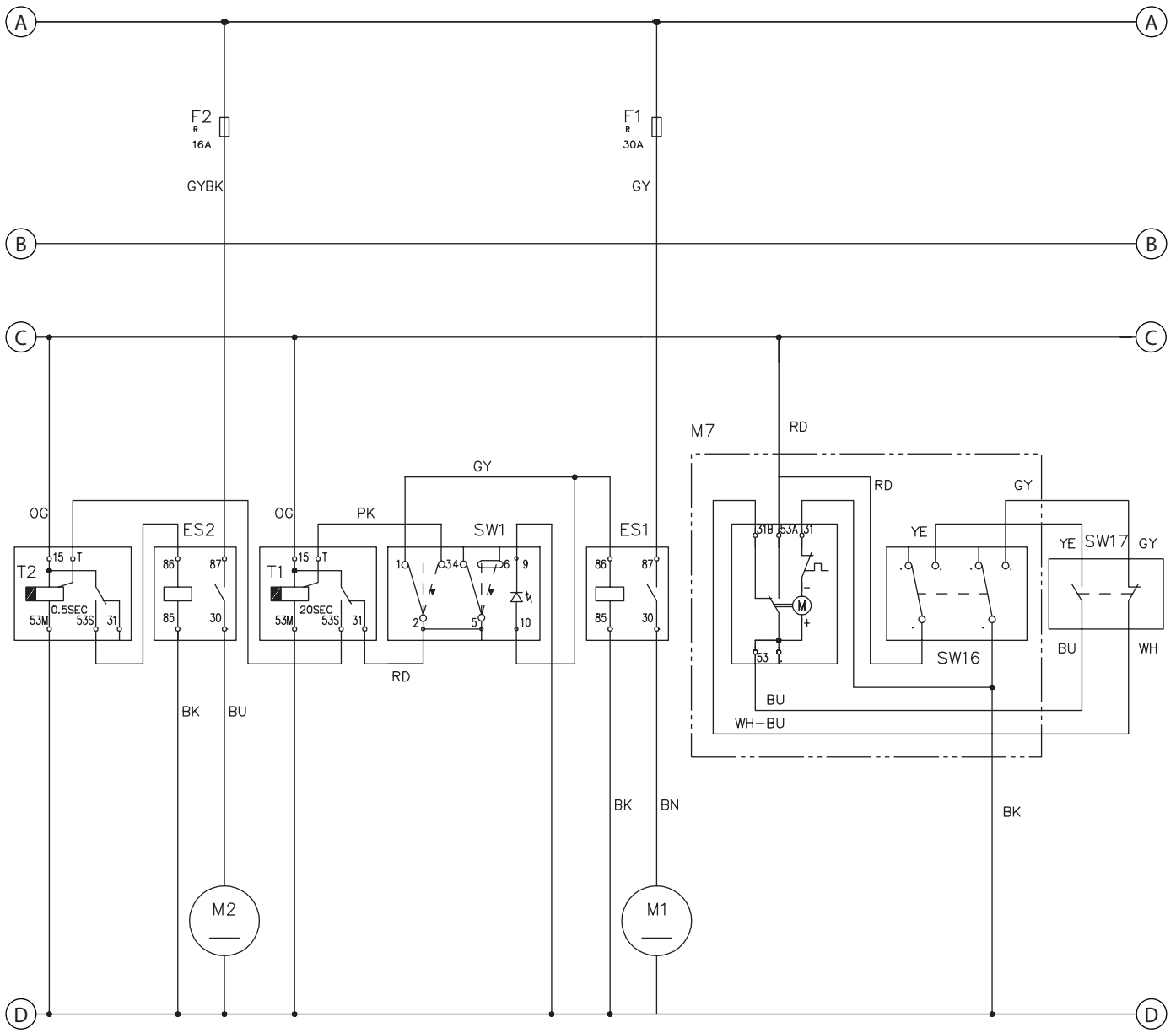
PAGE 2



# WIRING DIAGRAM 3 CYL. DIESEL - PAGE 2

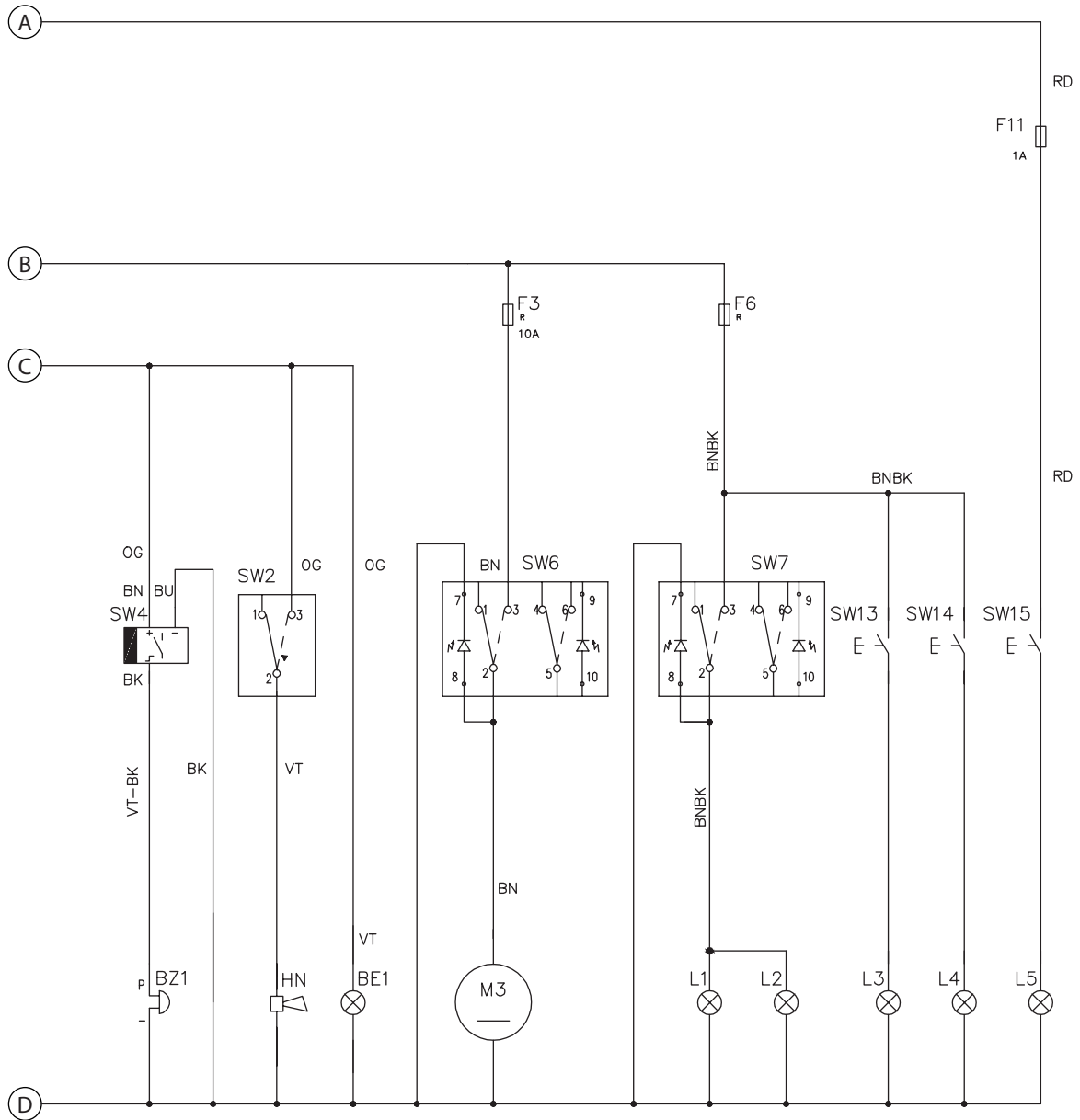
← PAGE 1

PAGE 3 →



WIRING DIAGRAM 3 CYL. DIESEL - PAGE 3

PAGE 2  
←





## WIRING DIAGRAM 3 CYL. DIESEL - PAGE 4

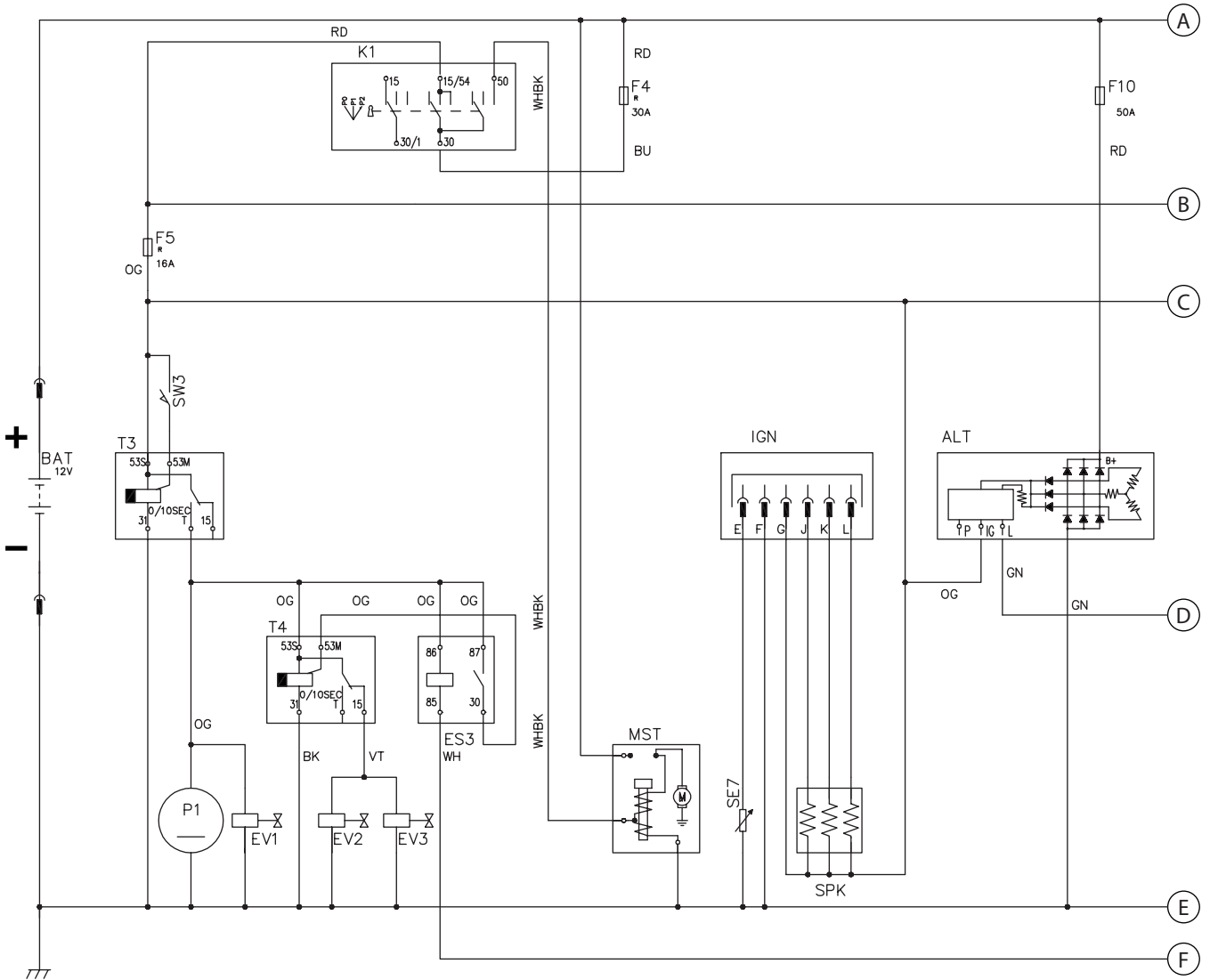
KEY	REF. NO.	DESCRIPTION
ALT	33019147	ALTERNATOR
BAT	33019628	BATTERY
BE1	56305223	PIVOTING LIGHT
BZ1	33022642	REVERSE GEAR BUZZER
ES1	146 3113 000	VACUUM SYSTEM RELAY
ES2	146 3113 000	FILTER SHAKER RELAY
EV1	TBD	SOLENOID VALVE
F1	909 5706 000	VACUUM SYSTEM CIRCUIT BREAKER (30 A)
F2	33017360	FILTER SHAKER CIRCUIT BREAKER (16 A)
F3	33017361	WATER PUMP CIRCUIT BREAKER (10 A) (OPTIONAL)
F4	909 5706 000	IGNITION KEY CIRCUIT BREAKER (30 A)
F5	33017360	ENGINE ACCESSORY CIRCUIT BREAKER (16 A)
F6	33017361	WORKING LIGHT FUSE (10 A) (OPTIONAL)
F8	TBD	CAB BLOWER CIRCUIT BREAKER (OPTIONAL)
F9	146 1873 000	GLOW PLUG FUSE (50 A)
F10	146 1873 000	ALTERNATOR FUSE BOX AND FUSE (50 A)
F11	TBD	HOOD INNER LIGHT FUSE (1 A) (OPTIONAL)
HN	145 3801 000	HORN
K1	145 3761 000	IGNITION SWITCH
L1	146 1587 000	FRONT WORKING LIGHT (OPTIONAL)
L2	146 1587 000	FRONT WORKING LIGHT (OPTIONAL)
L3	56507830	DRIVER'S SIDE WORKING LIGHT (OPTIONAL)
L4	56507830	REAR WORKING LIGHT (OPTIONAL)
L5	56305627	HOOD INNER LIGHT (OPTIONAL)
M1	33015222	VACUUM SYSTEM MOTOR
M2	146 1104 000	FILTER SHAKER MOTOR
M3	33019329	WATER PUMP MOTOR (OPTIONAL)
M4	TBD	CAB BLOWER (OPTIONAL)
MST	33019149	STARTER
PLG	NA	GLOW PLUGS
R1	NA	GLOW PLUG WARNING LIGHT RESISTANCE
SE1	NA	OIL PRESSURE SENSOR
SE2	NA	WATER TEMPERATURE SENSOR
SE3	56305518	CLOGGED AIR FILTER SENSOR (OPTIONAL)
SE5	33018864	FUEL TANK FLOAT
SE6	56507029	HOPPER TEMPERATURE SENSOR (OPTIONAL)
STR	33017228	GAUGE
SW1	33018843	VACUUM SYSTEM/FILTER SHAKER SWITCH
SW2	33018844	HORN SWITCH
SW3	NA	DRIVER'S SEAT MICROSWITCH
SW4	33018521	REVERSE GEAR PROXIMITY SENSOR
SW5	TBD	CAB BLOWER SWITCH (OPTIONAL)
SW6	33019325	WATER PUMP SWITCH (OPTIONAL)
SW7	TBD	WORKING LIGHT SWITCH (OPTIONAL)
SW13	TBD	DRIVER'S SIDE WORKING LIGHT SWITCH (OPTIONAL)
SW14	TBD	REAR WORKING LIGHT SWITCH (OPTIONAL)
SW15	TBD	HOOD INNER LIGHT SWITCH (OPTIONAL)
SW16	33020459	WINDSCREEN WIPER SWITCH (OPTIONAL)
SW17	33020459	RAISED HOOD MICROSWITCH (OPTIONAL)
T1	33017359	FILTER SHAKER TIMER
T2	33017385	FILTER SHAKER TIMER 2
T3	33019197	DRIVER'S SEAT TIMER
TC	33019990	GLOW PLUG TIMER

KEY	COLOUR
BK	BLACK
BU	LIGHT BLUE
BN	BROWN
GN	GREEN
GY	GREY
OG	ORANGE

KEY	COLOUR
PK	PINK
RD	RED
VT	VIOLET
WH	WHITE
YE	YELLOW

# WIRING DIAGRAM 3 CYL. LPG - GASOLINE - PAGE 1

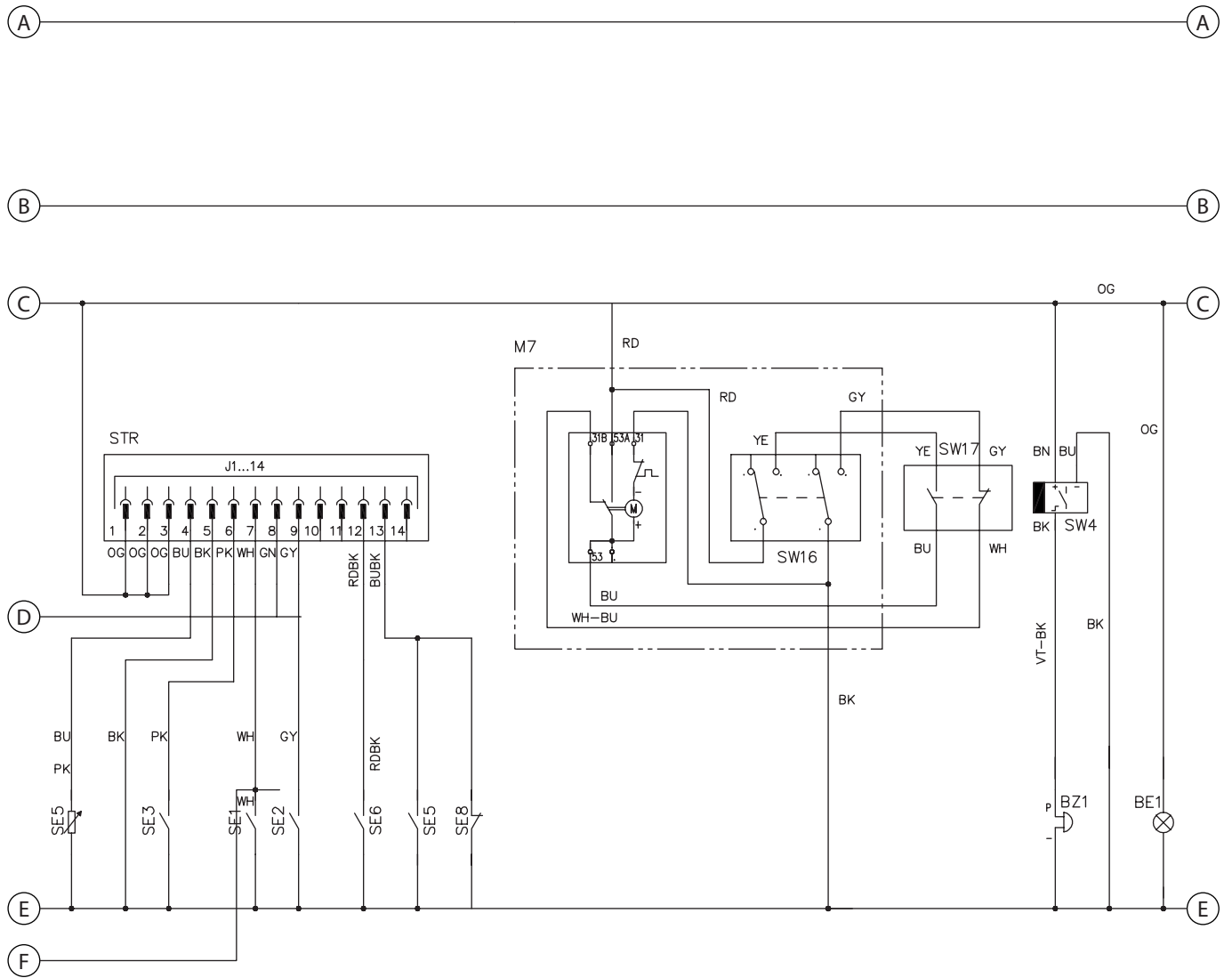
PAGE 2



# WIRING DIAGRAM 3 CYL. LPG - GASOLINE - PAGE 2

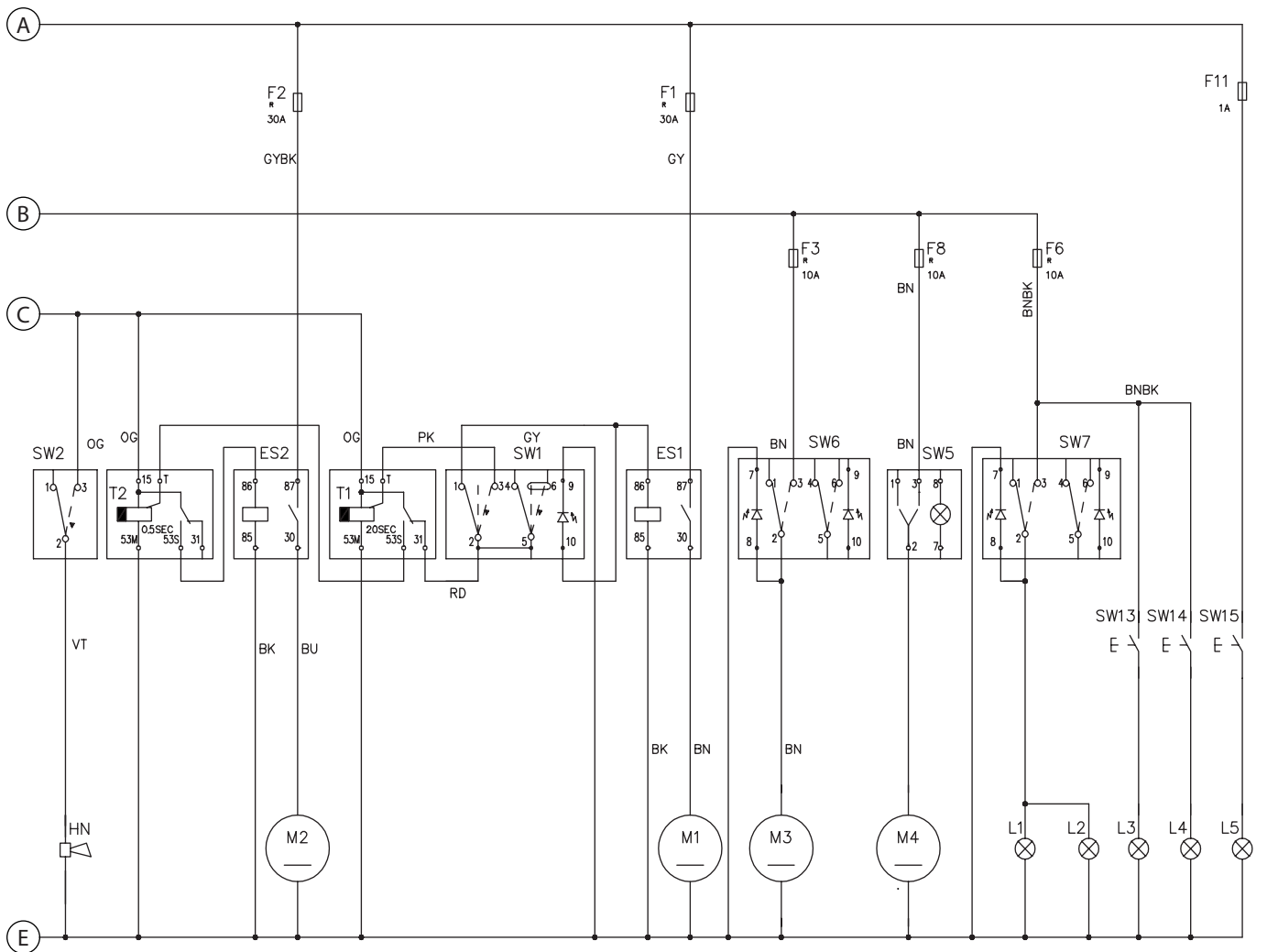
PAGE 1

PAGE 3



WIRING DIAGRAM 3 CYL. LPG - GASOLINE - PAGE 3

PAGE 2



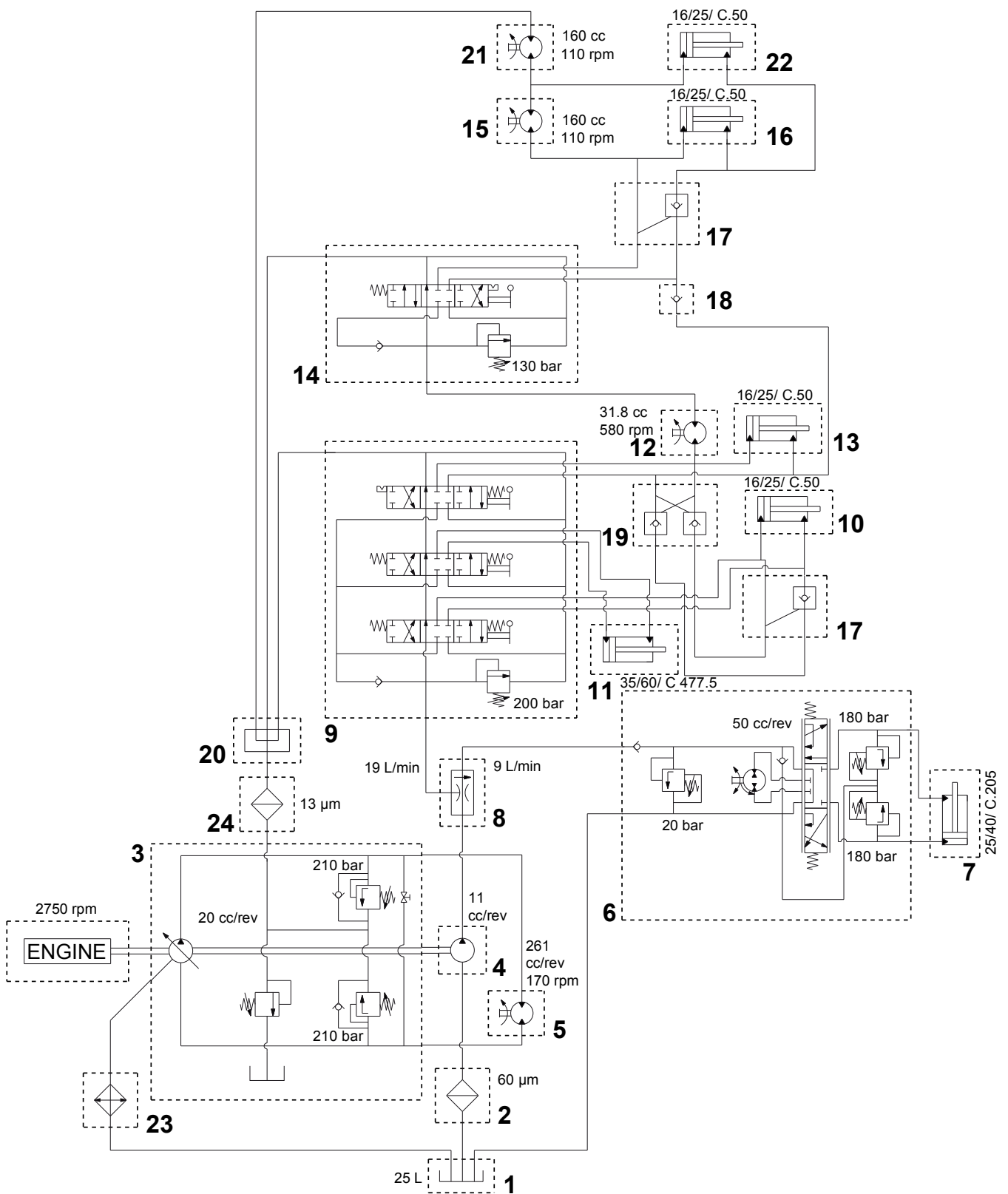
**WIRING DIAGRAM 3 CYL. LPG - GASOLINE - PAGE 4**

KEY	REF. NO.	DESCRIPTION
ALT	33019147	ALTERNATOR
BAT	33019628	BATTERY
BE1	56305223	PIVOTING LIGHT
BZ1	33022642	REVERSE GEAR BUZZER
ES1	146 3113 000	VACUUM SYSTEM RELAY
ES2	146 3113 000	FILTER SHAKER RELAY
ES3	33009141	LPG SAFETY RELAY
EV2	TBD	LPG SOLENOID VALVE
EV3	33017756	LPG SAFETY SOLENOID VALVE
F1	909 5706 000	VACUUM SYSTEM CIRCUIT BREAKER (30 A)
F2	33017360	FILTER SHAKER CIRCUIT BREAKER (16 A)
F3	33017361	WATER PUMP CIRCUIT BREAKER (10 A) (OPTIONAL)
F4	909 5706 000	IGNITION KEY CIRCUIT BREAKER (30 A)
F5	33017360	ENGINE ACCESSORY CIRCUIT BREAKER (16 A)
F6	33017361	WORKING LIGHT FUSE (10 A) (OPTIONAL)
F8	TBD	CAB BLOWER CIRCUIT BREAKER (OPTIONAL)
F10	146 1873 000	ALTERNATOR FUSE BOX AND FUSE (50 A)
F11	TBD	HOOD INNER LIGHT FUSE (1 A) (OPTIONAL)
HN	145 3801 000	HORN
K1	145 3761 000	IGNITION SWITCH
L1	146 1587 000	FRONT WORKING LIGHT (OPTIONAL)
L2	146 1587 000	FRONT WORKING LIGHT (OPTIONAL)
L3	56507830	DRIVER'S SIDE WORKING LIGHT (OPTIONAL)
L4	56507830	REAR WORKING LIGHT (OPTIONAL)
L5	56305627	HOOD INNER LIGHT (OPTIONAL)
M1	33015222	VACUUM SYSTEM MOTOR
M2	146 1104 000	FILTER SHAKER MOTOR
M3	33019329	WATER PUMP MOTOR (OPTIONAL)
M4	TBD	CAB BLOWER (OPTIONAL)
MST	33020017	STARTER
SE1	NA	OIL PRESSURE SENSOR
SE2	NA	WATER TEMPERATURE SENSOR
SE3	56305518	CLOGGED AIR FILTER SENSOR (OPTIONAL)
SE5	33018864	FUEL TANK FLOAT
SE6	56507029	HOPPER TEMPERATURE SENSOR (OPTIONAL)
SE7	TBD	ENGINE SPEED SENSOR
SE8	33022289	KIT SWITCH PRESSURE
SPK	TBD	GLOW PLUG COILS
STR	33017228	GAUGE
SW1	33018843	VACUUM SYSTEM/FILTER SHAKER SWITCH
SW2	33018844	HORN SWITCH
SW3	TBD	DRIVER'S SEAT MICROSWITCH
SW4	33018521	REVERSE GEAR PROXIMITY SENSOR
SW5	TBD	CAB BLOWER SWITCH (OPTIONAL)
SW6	33019325	WATER PUMP SWITCH (OPTIONAL)
SW7	TBD	WORKING LIGHT SWITCH (OPTIONAL)
SW13	TBD	DRIVER'S SIDE WORKING LIGHT SWITCH (OPTIONAL)
SW14	TBD	REAR WORKING LIGHT SWITCH (OPTIONAL)
SW15	TBD	HOOD INNER LIGHT SWITCH (OPTIONAL)
SW16	33020459	WINDSCREEN WIPER SWITCH (OPTIONAL)
SW17	33020459	RAISED HOOD MICROSWITCH (OPTIONAL)
T1	33017359	FILTER SHAKER TIMER
T2	33017385	FILTER SHAKER TIMER 2
T3	33019197	DRIVER'S SEAT TIMER
T4	33017388	TIMER LPG

KEY	COLOUR
BK	BLACK
BU	LIGHT BLUE
BN	BROWN
GN	GREEN
GY	GREY
OG	ORANGE

KEY	COLOUR
PK	PINK
RD	RED
VT	VIOLET
WH	WHITE
YE	YELLOW

HYDRAULIC DIAGRAM



**HYDRAULIC DIAGRAM**

ITEM	REF. NO.	DESCRIPTION
1	33018809	OIL TANK
2	33010199	OIL FILTER
3	33022111	DRIVE SYSTEM PUMP
4	33018874	GEAR PUMP
5	33018793	DRIVE SYSTEM MOTOR
6	33022292	POWER STEERING
7	33018808	STEERING CYLINDER
8	33018816	PRIORITY VALVE
9	33018812	MANIFOLD 3 LEVERS
10	33018811	HOPPER LIFTING CYLINDER
11	33018802	SKIRT CYLINDER
12	33018872	MAIN BROOM MOTOR
13	33021765	MAIN BROOM CYLINDER
14	33018815	MANIFOLD 1 LEVER
15	33018807	RIGHT SIDE BROOM MOTOR
16	33021767	RIGHT SIDE BROOM CYLINDER
17	33018840	CHECK VALVE
18	33010481	ONE-WAY VALVE
19	33018816	DOUBLE CHECK VALVE
20	33017432	MANIFOLD BLOCK
21	33018807	LEFT SIDE BROOM MOTOR
22	33021766	LEFT SIDE BROOM CYLINDER
23	33018873	OIL COOLER
24	33017431	OIL FILTER

## RECOMMENDED SPARE PARTS

	REF. NO.	QTY	DESCRIPTION	VERSION
	146 1104 000	1	MOTOR FILTER SHAKER 90W (M2)	Diesel - LPG - Gasoline
	33021313	1	SIDE BROOM ATLANTIS PPL	Diesel - LPG - Gasoline
	33017255	1	BROOM SIDE PPL 1,4-1,7	Diesel - LPG - Gasoline
	33017375	1	DECAL GAUGE PANEL	Diesel - LPG - Gasoline
	33017129	1	TRIM EDGE BULB L 670MM	Diesel - LPG - Gasoline
	33018803	1	LATCH KIT	Diesel - LPG - Gasoline
	33018634	1	GASKET ASSY FILTER L 2560	Diesel - LPG - Gasoline
	33019102	1	PIN SIDE BROOM KIT	Diesel - LPG - Gasoline
	33018812	1	DISTRIBUTOR 3 ELEMENTS KIT	Diesel - LPG - Gasoline
	33018815	1	DISTRIBUTOR 1 ELEMENT KIT	Diesel - LPG - Gasoline
	33018816	1	VALVE PRIORITY KIT	Diesel - LPG - Gasoline
	33018817	1	CUTOFF VALVE DOUBLE KIT	Diesel - LPG - Gasoline
	33018840	1	CUTOFF VALVE KIT	Diesel - LPG - Gasoline
	33018841	1	FOOT PEDAL UPPER KIT	Diesel - LPG - Gasoline
	33018864	1	INDICATOR LEVEL FUEL KIT	Diesel - LPG - Gasoline
	33018866	1	SUPPORT BEARING KIT	Diesel - LPG - Gasoline
	33018867	1	ROD SPRING KIT	Diesel - LPG - Gasoline
	33018868	1	LEVER WELDED KIT	Diesel - LPG - Gasoline
	33018869	1	ROD LEVER KIT	Diesel - LPG - Gasoline
	33017234	1	TUBE RADIATOR	Diesel - LPG - Gasoline
	33017233	1	TUBE RADIATOR	Diesel - LPG - Gasoline
	145 0231 000	1	AIR FILTER	Diesel - LPG - Gasoline
	33021334	1	LPG REGULATOR	LPG
	33017673	1	FUEL PUMP	Gasoline
	33020017	1	STARTER	LPG - Gasoline
	33020018	1	BELT ALTERNATOR	LPG - Gasoline
	33018851	1	FILTER OIL ENGINE	LPG - Gasoline
	33017171	1	FLAP SIDE	Diesel - LPG - Gasoline
	33017172	1	FLAP SIDE	Diesel - LPG - Gasoline
	33017173	2	FOAM HOPPER SIDE	Diesel - LPG - Gasoline
	33017174	1	FLAP REAR BROOM	Diesel - LPG - Gasoline
	33009649	1	WHEEL PNEUMATIC	Diesel - LPG - Gasoline
	33022518	1	WHEELS PNEUMATIC 5.00/8 KIT	Diesel - LPG - Gasoline
	33016950	1	GASKET	Diesel - LPG - Gasoline
	L08603675	4	NUT THUMB, FIXING	Diesel - LPG - Gasoline
	33017259	1	MAT PEDAL	Diesel - LPG - Gasoline
	33003175	1	BEARING 32007	Diesel - LPG - Gasoline
	145 4691 000	1	BEARING	Diesel - LPG - Gasoline
	33010199	1	FILTER HYDRAULIC OIL	Diesel - LPG - Gasoline
	33011530	1	PLUG	Diesel - LPG - Gasoline
	33017228	1	GAUGE 12V (STR)	Diesel - LPG - Gasoline
	145 3761 000	1	SWITCH KEY (K1)	Diesel - LPG - Gasoline
	146 0073 00	1	KEY (1PC)	Diesel - LPG - Gasoline
	33017385	1	RELAY TIMER 0,5 SEC. (T2)	Diesel - LPG - Gasoline
	33017358	1	HARNESS RELAY ENGINE VERSION	Diesel - LPG - Gasoline
	33017359	1	RELAY TIMER 20 SECONDS (T1)	Diesel - LPG - Gasoline
	33017360	1	CIRCUIT BREAKER 16A (F2)	Diesel - LPG - Gasoline
	909 5706 000	3	CIRCUIT BREAKER 30A (F1)	Diesel - LPG - Gasoline
	33017199	1	SPRING	Diesel - LPG - Gasoline
	33002106	1	SPRING	Diesel - LPG - Gasoline
	33015222	1	MOTOR VACUUM 12V (M1)	Diesel - LPG - Gasoline
	8-24-04139-1	1	PANEL FILTER	Diesel - LPG - Gasoline
	33017252	1	FILTER FUEL	Diesel
	33018850	1	FILTER OIL ENGINE	Diesel
	33019147	1	ALTERNATOR 12V 60 AH (ALT)	Diesel - LPG - Gasoline
	33019149	1	STARTER 12V	Diesel
	33019148	1	BELT ALTERNATOR	Diesel
	33018372	1	FILTER FUEL	Gasoline
	33019628	1	BATTERY (BAT)	Diesel - LPG - Gasoline
	33017388	1	TIMER LPG	LPG
	33019197	1	DRIVER'S SEAT TIMER (T3)	Diesel - LPG - Gasoline
	33018521	1	REVERSE GEAR PROXIMITY SENSOR (SW4)	Diesel - LPG - Gasoline
	33022289	1	KIT SWITCH PRESSURE (SE8)	LPG
	33017756	1	LPG SAFETY SOLENOID VALVE (EV3)	LPG
	33019306	1	VALVE SECURITY 400PSI	LPG
	33019998		PLATE FOR SPEED LIMITING	Diesel - LPG - Gasoline



## OPTIONALS

	REF. NO.	QTY	DESCRIPTION	VERSION
	56382789	1	PANEL FILTER WATER RESISTENT	Diesel - LPG - Gasoline
	33018889	1	BROOM SIDE PPL 1,5/STEEL	Diesel - LPG - Gasoline
	33018890	1	BROOM SIDE NYLON 0,5	Diesel - LPG - Gasoline
	33018856	1	BROOM MAIN SPIRAL NYLON 1.2	Diesel - LPG - Gasoline
	33018857	1	BROOM MAIN SPIRAL PPL 0.5 WHITE NAVY	Diesel - LPG - Gasoline
	33018859	1	BROOM MAIN SPIRAL UNION MIX	Diesel - LPG - Gasoline
	33019173	1	LEFT SIDE BROOM KIT	Diesel - LPG - Gasoline
	33019175	1	PRE MISTING SYSTEM KIT	Diesel - LPG - Gasoline
	33019171	1	OVER HEAD GUARD KIT	Diesel - LPG - Gasoline
	33019176	1	POCKET FILTER KIT 12V	Diesel - LPG - Gasoline
	33019174	1	TILT STEERING	Diesel - LPG - Gasoline
	56507740	1	POCKET WATER RESISTANT FILTER	Diesel - LPG - Gasoline
	56508663	1	SIDE-VIEW MIRRORS FOR USE WITH OHG AND CAB	Diesel - LPG - Gasoline
	33019554	1	SEAT BELT KIT	Diesel - LPG - Gasoline
#	33022245	1	FOAMED WHEEL KIT	Diesel - LPG - Gasoline
	33019570	1	MAT FLOOR KIT	Diesel - LPG - Gasoline
	33019572	1	GUARD REAR BUMPER KIT	Diesel - LPG - Gasoline
	33019558	1	FRONT LIGHT 12V KIT	Diesel - LPG - Gasoline
	33019573	1	HOPPER STOP KIT	Diesel - LPG - Gasoline
	56305223	1	PIVOTING LIGHT (BE1)	Diesel - LPG - Gasoline
	56507830	1	DRIVER'S SIDE WORKING LIGHT (L3)	Diesel - LPG - Gasoline
	56507830	1	REAR WORKING LIGHT (L4)	Diesel - LPG - Gasoline
	56305627	1	HOOD INNER LIGHT (L5)	Diesel - LPG - Gasoline
	56305518	1	CLOGGED AIR FILTER SENSOR (SE3)	Diesel - LPG - Gasoline
	56507029	1	HOPPER TEMPERATURE SENSOR (SE6)	Diesel - LPG - Gasoline
	56507040	1	SUSPENSION SEAT - ADJUSTABLE BACK TILT - ARM REST - SEAT BELT	Diesel - LPG - Gasoline
	33020056	1	CLOGGED DUST CONTROL FILTER INDICATOR	Diesel - LPG - Gasoline
	56507038	1	AMBER STROBE LIGHT (WITHOUT OHG OR CAB)	Diesel - LPG - Gasoline
	33019571	1	FRONT CORNER GUARDS - FOR BOTH LEFT AND RIGHT CORNERS	Diesel - LPG - Gasoline
	56507033	1	RAISED ENGINE AIR INTAKE WITH PREFILTER	Diesel - LPG - Gasoline
	8-83-04016	1	LP TANK WITH OUTAGE AND FILLER VALVE, LP MODELS ONLY	LPG
	56507039	1	AMBER STROBE LIGHT FOR USE WITH OHG	Diesel - LPG - Gasoline
	33020002	1	SOFT-SIDED CAB FOR WEATHER PROTECTION (MUST ORDER OHG)	Diesel - LPG - Gasoline
	56507916	1	STRAINER/CHECK VALVE, DUSTGUARD	Diesel - LPG - Gasoline
	56508709	1	0.1 GALLON (0.379 LITER) PER MIN. NOZZLE TIP FOR HIGH DUST APPL.	Diesel - LPG - Gasoline
	56507908	1	CAP, DUSTGUARD, YELLOW, TOOLS-FREE	Diesel - LPG - Gasoline
	33021392	1	FRONT PROTECTION KIT	Diesel - LPG - Gasoline
	33021975	1	GAS SPRING KIT	Diesel - LPG - Gasoline



**Advance**

14600 21st Avenue North  
Plymouth, MN 55447-3408

[www.advance-us.com](http://www.advance-us.com)

Phone: 800-989-2235

Fax: 800-989-6566

©2013 Nilfisk-Advance, Inc.

---

**A Nilfisk-Advance Brand**