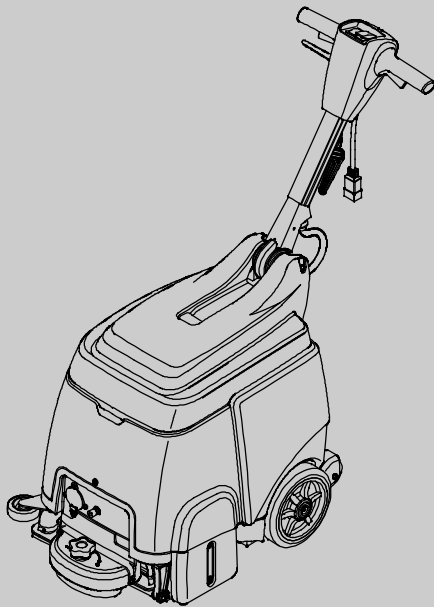
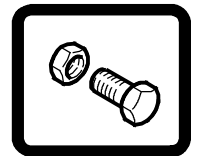




# R3

Carpet Cleaner  
(S/N 10000000-20000000)

## Parts Manual



Models  
9004192 - R3 120V  
9016546 - R3 w/ Iris 120V



*More than clean, it's ReadySpace.™*

## North America / Japan

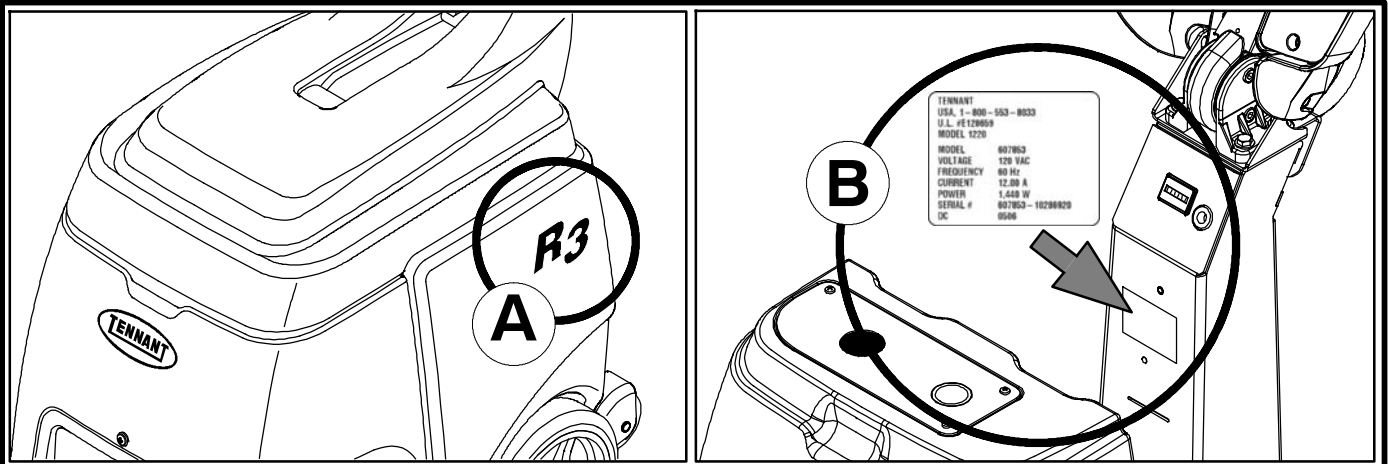


For the latest Parts manuals and other language Operator manuals, visit:

[www.tennantco.com/manuals](http://www.tennantco.com/manuals)

9006287  
Rev. 07 (09-2018)





Ref	Part No.	Serial Number	Description	Qty.
1	82681	(000000- )	Bracket Wldt, Lpg Mount	1
▽ 2	63810	(000000- )	Latch Assy, Lpg Tank Mtg, W/Nut	4
▲ 3	51839	(000000- )	Nut Adjustable, Lpg Tank Mtg	2
4	49263	(000000- )	Tie, Cable	3
(D) 5	82556	(000000- 001039)	Bracket, Vaporizer	1
	54930	(000000- )	Vaporizer, LPG	1

**HOW TO ORDER PARTS - See diagram above**

Only use TENNANT Company supplied or equivalent parts. Parts and supplies may be ordered online, by phone, by fax or by mail.

Follow the steps below to ensure prompt delivery.

1. (A) Identify the machine model.
2. (B) Identify the machine serial number from the data label.
3. (C) Ensure the proper serial number is used from the parts list.
4. Identify the part number and quantity.  
Do not order by page or reference numbers.
5. Provide your name, company name, customer ID number, billing and shipping address, phone number and purchase order number.
6. Provide detail shipping instructions.

- (D) ▽ - identifies an assembly  
 ▲ - identifies parts included in assembly

**Please fill out at time of installation for future reference.**

Model No. - \_\_\_\_\_

Serial No. - \_\_\_\_\_

Machine Options - \_\_\_\_\_

Sales Rep. - \_\_\_\_\_

Sales Rep. phone no. - \_\_\_\_\_

Customer ID Number - \_\_\_\_\_

Installation Date - \_\_\_\_\_

**Tennant Company**  
 PO Box 1452  
 Minneapolis, MN 55440  
 Phone: (800) 553- 8033  
 www.tennantco.com

Specifications and parts are subject to change without notice.  
 Copyright © 2009- 2018 TENNANT Company, Printed in U.S.A.

**RECOMMENDED MAINTENANCE ITEMS**

GENERAL RECOMMENDED MAINTENANCE  
 ITEMS ..... 5

**STANDARD PARTS**

HANDLE GROUP, 120V ..... 6  
 HANDLE GROUP, 230V ..... 8  
 FRAME GROUP, 120V ..... 10  
 FRAME GROUP, 230V ..... 12  
 TANKS AND SHROUD GROUP ..... 14  
 TANK COVER GROUP ..... 16  
 VACUUM FAN GROUP ..... 18  
 SOLUTION GROUP ..... 20  
 SCRUB HEAD GROUP, 120V ..... 22  
 SCRUB HEAD GROUP, 230V ..... 24  
 ROLLER TOOL GROUP ..... 26  
 ELECTRICAL DIAGRAM, 120V ..... 28  
 ELECTRICAL DIAGRAM, 120V IRIS TELEMETRY  
 OPTION ..... 29  
 ELECTRICAL DIAGRAM, 230V ..... 30  
 ELECTRICAL DIAGRAM, 230V IRIS TELEMETRY  
 OPTION ..... 31  
 WIRE HARNESS, CHASSIS ..... 32  
 WIRE HARNESS, IRIS TELEMETRY ..... 33

**OPTIONS**

IRIS TELEMETRY GROUP ..... 34  
 FLOOR TOOL GROUP, 8 in / 203 mm  
 (NEW STYLE) ..... 36  
 FLOOR TOOL GROUP, 8 in / 203 mm  
 (OLD STYLE) ..... 38  
 HAND TOOL GROUP, 4 in / 101 mm  
 (NEW STYLE) ..... 40  
 HAND TOOL GROUP, 4 in / 101 mm  
 (OLD STYLE) ..... 41  
 PUMP-UP CARPET SPRAYER ..... 42  
 DOCUMENTATION GROUP ..... 43

## RECOMMENDED MAINTENANCE ITEMS

---

## RECOMMENDED MAINTENANCE ITEMS

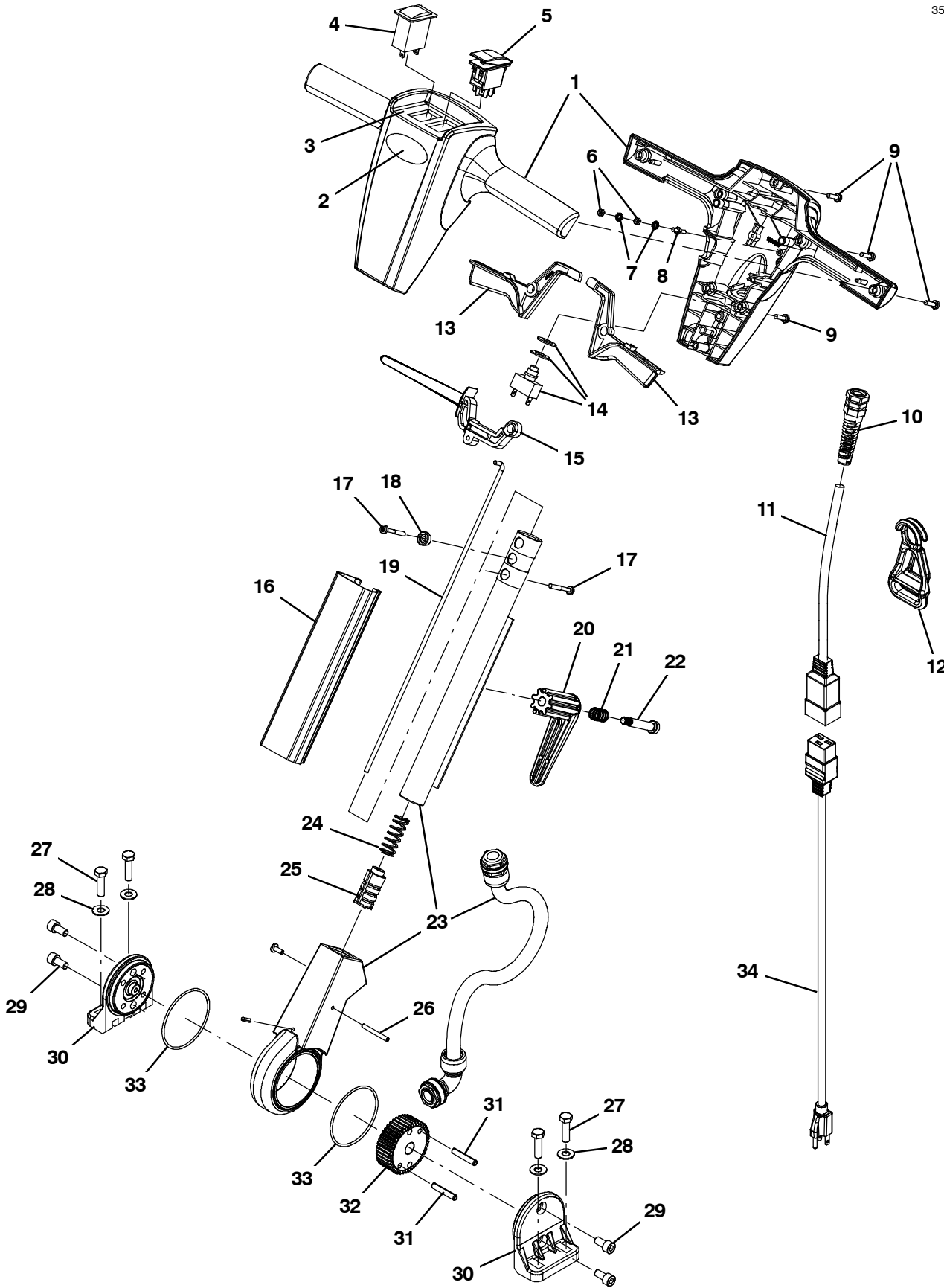
---

### GENERAL RECOMMENDED MAINTENANCE ITEMS

<b>Part No.</b>	<b>Serial Number</b>	<b>Description</b>	<b>Qty.</b>
1014918	(10000000- 20000000 )	Wheel, 03.0d 0.88w 0.31b, W/ Bshg, Rbr	2
1039073	(10000000- 20000000 )	Wheel Assy, 8.0d 2.0w 0.5b W/Brg	2
1074694	(10000000- 20000000 )	Filter, Tube, Soltn, 200mesh	1
1044370	(10000000- 20000000 )	Ball, Float, W/O Cage	1
1036090	(10000000- 20000000 )	Seal, Vacuum [Trex]	2
1052876	(10000000- 20000000 )	Gasket, Tank	2
605317	(10000000- 20000000 )	Roller, Sqge, 1.35od X 1.48l [Delrin]	2
1028953	(10000000- 20000000 )	Roller Assy, Readyspace	2
9004282	(10000000- 20000000 )	Belt Kit, W/ Installation Tool [Qty 2]	1
1034819	(10000000- 20000000 )	Gasket, Tool ,Cover	2

HANDLE GROUP, 120V

355070



## HANDLE GROUP, 120V

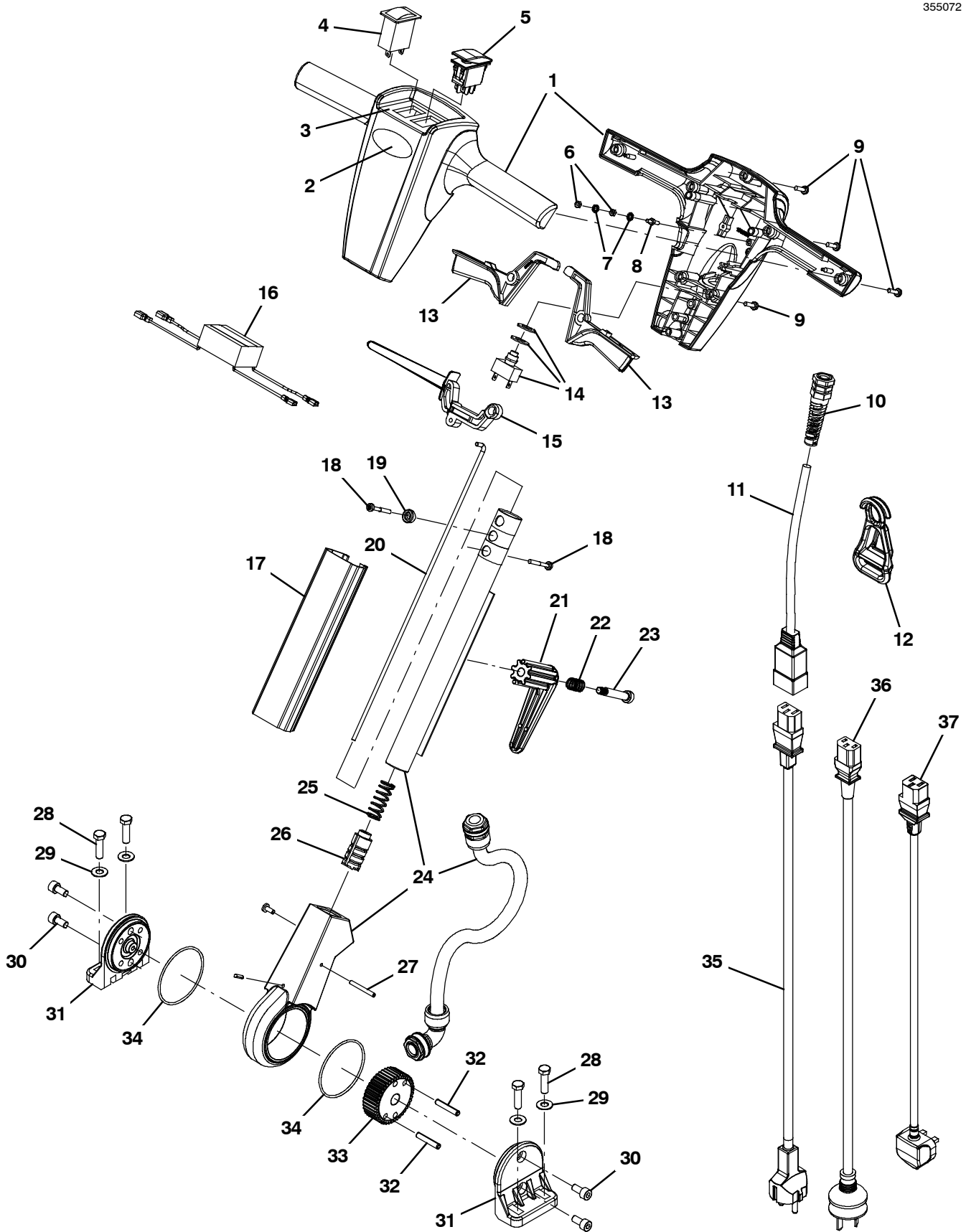
Ref.	Part No.	Serial Number	Description	Qty.
▽	9005507	(10000000- 20000000 )	Handle, Tennant R3 [120 Volt]	1
▲▽	1 9004318	(10000000- 20000000 )	Cover, Handle Front/Rear Tennant R3 Kit	1
▲▲	2 1042589	(10000000- 20000000 )	Label, Logo, 02.50l, White [Tennant]	1
▲▲	3 1034592	(10000000- 20000000 )	Label, Opertnl, Instrmt Panl, Readyspace	1
▲	4 1038375	(10000000- 20000000 )	Gauge, Ammeter, 120vac, 5.0a [Rlr Press]	1
▲	5 602919	(10000000- 20000000 )	Switch, Rocker, Dpdt, On / On	1
▲	6 42368	(10000000- 20000000 )	Nut, Hex, Std, M4 X 0.70, 8	2
▲	7 140061	(10000000- 20000000 )	Washer, Lock, Ext, 08, Pl	2
▲	8 1034952	(10000000- 20000000 )	Screw, Hex, M4 X 0.7 X 12, Dbl Thrd	1
▲	9 1043573	(10000000- 20000000 )	Screw, #10- 14 X 0.675, Spl[Shcs,Selftap]	7
▲	10 130166	(10000000- 20000000 )	Grip, Cord, Strainrelief Pg- 11 W/Nut Bk	1
▲	11 1042410	(10000000- 20000000 )	Cord, 14ga /3, 16.0l, W/ Receptacle, Yel	1
▲	12 130176	(10876910- 20000000 )	Clip, Cord, Strainrelief [Belt] (Yellow)	1
▲	12 1037147	(10000000- 10876909 )	Clip, Cord, Strainrelief, Black	1
▲	13 1033893	(10000000- 20000000 )	Lever, Cntrl, Switch [Trex]	2
▲	14 9008568	(10000000- 20000000 )	Switch Kit, W/ Washers, Fr/ F/1063165	1
▲	15 1034945	(10000000- 20000000 )	Lever, Adjmt, Handle	1
▲	16 1034181	(10000000- 20000000 )	Cover, Handle, Tennant [Trex]	1
▲	17 1043572	(10000000- 20000000 )	Screw, #10- 14 X 01.5, Spl[Shcs Selftap]	2
▲	18 1034176	(10000000- 20000000 )	Bushing, Flng, 5mmb 12mmd 8mml, Pa6	1
▲	19 1034180	(10000000- 20000000 )	Rod, Release [Trex]	1
▲	20 603104	(10000000- 20000000 )	Hook, Cord, Blk [Quick- Release]	1
▲	21 603108	(10000000- 20000000 )	Spring, Cmpr, Switch	1
▲	22 140239	(10000000- 20000000 )	Bolt, Shld, .38d X 1.75, .31- 18	1
▲	23 1045239	(10000000- 20000000 )	Tube, Assy, Handle [W/Harnesses]	1
▲	24 1013295	(10000000- 20000000 )	Spring, Cmpr [2100 Series]	1
▲	25 9006059	(10000000- 20000000 )	Plunger Kit, Handle	1
▲	26 1034924	(10000000- 20000000 )	Pin, Roll, 04mmd X 40mml	1
▲	27 1016399	(10000000- 20000000 )	Screw, Hex, M8 X 1.25 X 30, NI, Ss	4
▲	28 140027	(10000000- 20000000 )	Washer, Flat, 0.35b 0.75d .04, Ss	4
▲	29 49609	(10000000- 20000000 )	Screw, Soc, M8 X 1.25 X 16, 12.9	4
▲	30 1000307	(10000000- 20000000 )	Handle, Pivot, Half	2
▲	31 1034155	(10000000- 20000000 )	Pin, Roll, 06mmd X 36mml	2
▲	32 1034872	(10000000- 20000000 )	Gear, Lock, Handle	1
▲	33 612422	(10000000- 20000000 )	Seal, Org, Gear Seat	2
▲	34 1042403	(10000000- 20000000 )	Cord, Power, 1.5mm /3 Yel[2x15m 50ft Us]	1

▽ ASSEMBLY

▲ INCLUDED IN ASSEMBLY

HANDLE GROUP, 230V

355072





## HANDLE GROUP, 230V

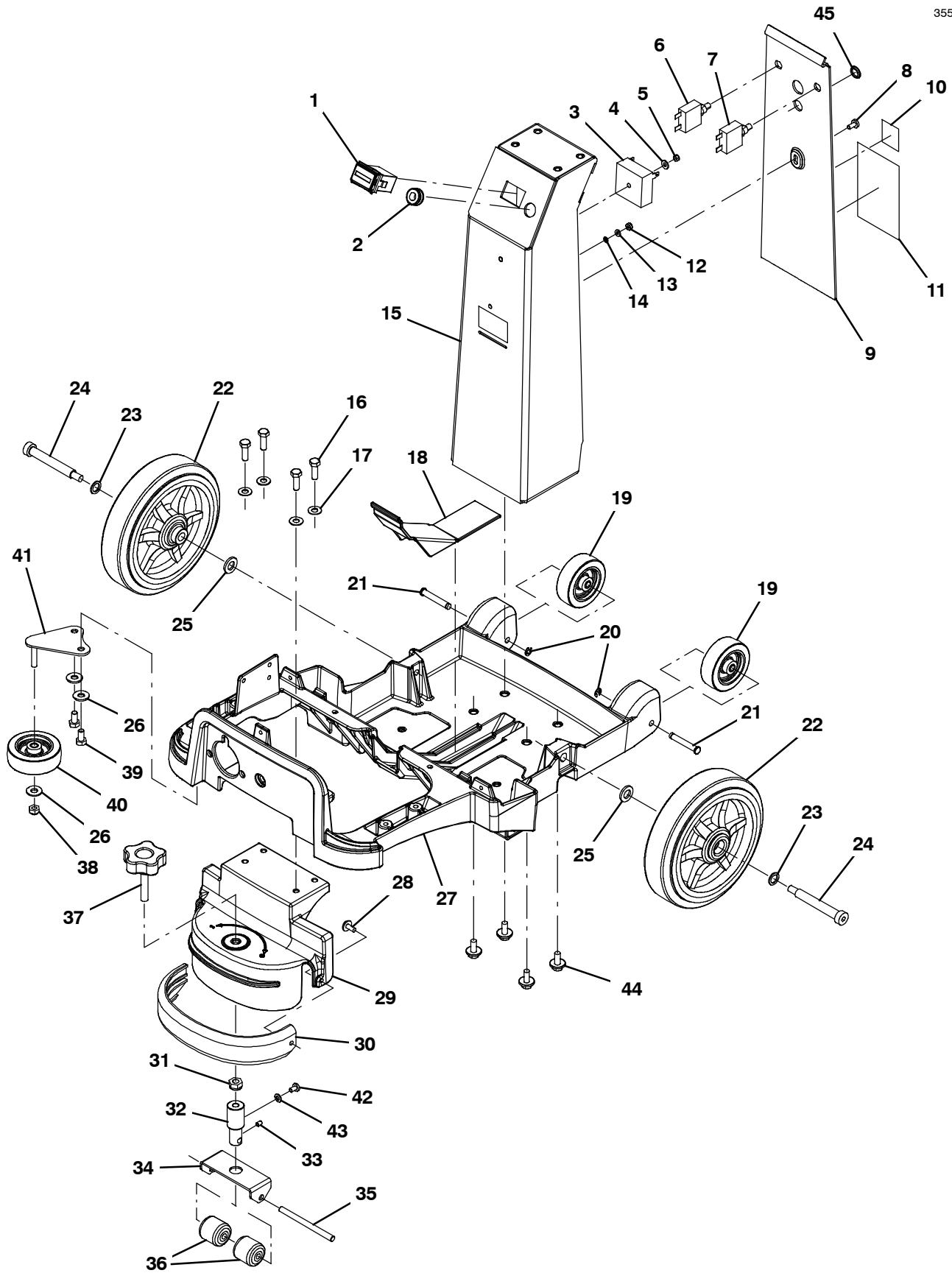
Ref.	Part No.	Serial Number	Description	Qty.
▽	9005510	(10000000- 20000000 )	Handle, Tennant R3 [230 Volt]	1
▲▽	1 9004318	(10000000- 20000000 )	Cover, Handle Front/Rear Tennant R3 Kit	1
▲▲	2 1042589	(10000000- 20000000 )	Label, Logo, 02.50l, White [Tennant]	1
▲▲	3 1034592	(10000000- 20000000 )	Label, Opertnl, Instrmt Panl, Readyspace	1
▲	4 1035742	(10000000- 20000000 )	Gauge, Ammeter, 230vac, 2.25a [Rlr Prs]	1
▲	5 602919	(10000000- 20000000 )	Switch, Rocker, Dpdt, On / On	1
▲	6 42368	(10000000- 20000000 )	Nut, Hex, Std, M4 X 0.70, 8	2
▲	7 140061	(10000000- 20000000 )	Washer, Lock, Ext, 08, Pl	2
▲	8 1034952	(10000000- 20000000 )	Screw, Hex, M4 X 0.7 X 12, Dbl Thrd	1
▲	9 1043573	(10000000- 20000000 )	Screw, #10- 14 X 0.675, Spl[Shcs,Selftap]	7
▲	10 130166	(10000000- 20000000 )	Grip, Cord, Strainrelief Pg- 11 W/Nut Bk	1
▲	11 1040343	(10000000- 20000000 )	Cord, 14ga /3, 16.0l, W/ Receptacle, Blk	1
▲	12 130176	(10876910- 20000000 )	Clip, Cord, Strainrelief [Belt] (Yellow)	1
▲	12 1037147	(10000000- 10876909 )	Clip, Cord, Strainrelief, Black	1
▲	13 1033893	(10000000- 20000000 )	Lever, Cntrl, Switch [Trex]	2
▲	14 9008568	(10000000- 20000000 )	Switch Kit, W/ Washers, Fr/ F/1063165	1
▲	15 1034945	(10000000- 20000000 )	Lever, Adjmt, Handle	1
▲	16 1054252	(10000000- 20000000 )	Filter, Handle, 250 Vac, 50/60hz, 8amp	1
▲	17 1034181	(10000000- 20000000 )	Cover, Handle, Tennant [Trex]	1
▲	18 1043572	(10000000- 20000000 )	Screw, #10- 14 X 01.5, Spl[Shcs Selftap]	2
▲	19 1034176	(10000000- 20000000 )	Bushing, Flng, 5mmb 12mmd 8mml, Pa6	1
▲	20 1034180	(10000000- 20000000 )	Rod, Release [Trex]	1
▲	21 603104	(10000000- 20000000 )	Hook, Cord, Blk [Quick- Release]	1
▲	22 603108	(10000000- 20000000 )	Spring, Cmpr, Switch	1
▲	23 140239	(10000000- 20000000 )	Bolt, Shld, .38d X 1.75, .31- 18	1
▲	24 1045239	(10000000- 20000000 )	Tube, Assy, Handle [W/Harnesses]	1
▲	25 1013295	(10000000- 20000000 )	Spring, Cmpr [2100 Series]	1
▲	26 9006059	(10000000- 20000000 )	Plunger Kit, Handle	1
▲	27 1034924	(10000000- 20000000 )	Pin, Roll, 04mmd X 40mml	1
▲	28 1016399	(10000000- 20000000 )	Screw, Hex, M8 X 1.25 X 30, NI, Ss	4
▲	29 140027	(10000000- 20000000 )	Washer, Flat, 0.35b 0.75d .04, Ss	4
▲	30 49609	(10000000- 20000000 )	Screw, Soc, M8 X 1.25 X 16, 12.9	4
▲	31 1000307	(10000000- 20000000 )	Handle, Pivot, Half	2
▲	32 1034155	(10000000- 20000000 )	Pin, Roll, 06mmd X 36mml	2
▲	33 1034872	(10000000- 20000000 )	Gear, Lock, Handle	1
▲	34 612422	(10000000- 20000000 )	Seal, Org, Gear Seat	2
	35 1035571	(10000000- 20000000 )	Cord, Extn, 1.5mm /3 [2x20m, Ce]	1
	36 1036912	(10000000- 20000000 )	Cord, Power, 1.5mm /3 Blk [2x15m, Aus]	1
	37 1036891	(10000000- 20000000 )	Cord, Power, 1.5mm /3 Blk [2x20m,Uk]	1

▽ ASSEMBLY

▲ INCLUDED IN ASSEMBLY

FRAME GROUP, 120V

355064



## FRAME GROUP, 120V

Ref.	Part No.	Serial Number	Description	Qty.
1	1064038	(10000000-20000000)	Gauge, Hourmeter, 05-277 Volt, Ac / Dc	1
2	86726	(10000000-20000000)	Grommet, Rbr, 0.44id, F/0.5h, .19 Matl	1
3	1032018	(10000000-20000000)	Module, Timer, 120vac [Trex Readyspace]	1
4	01683	(10000000-20000000)	Washer, Flat, 10, Ss	1
5	09739	(10000000-20000000)	Nut, Hex, Lock, M5 X 0.80, NI, Ss	1
6	383720	(10000000-20000000)	Circuitbreaker, 05.0a, Resetable	1
7	383722	(10000000-20000000)	Circuitbreaker, 15.0a, Resetable	1
8	74027	(10000000-20000000)	Screw, Pan, Phl, M6 X 1.00 X 12, NI, PI	1
▽	9	9004275	(10000000-20000000) Cover Kit, Column , W/ Label [5gal 120v]	1
▲	10	NA	(10000000-20000000) Label, Safety, 120vac [Etl]	1
▲	11	1039105	(10000000-20000000) Label,Warning,Ac Scrb/Extr [En/Fr/Es/Jp]	1
	12	1044427	(10000000-20000000) Nut, Hex, Lock, #8-32, NI, Ss	1
	13	41578	(10000000-20000000) Washer, Flat, 06, Ss	1
	14	02938	(10000000-20000000) Washer, Lock, Int, 08, Ss	1
	15	9004274	(10000000-20000000) Column Kit, Sppt, W/ Label [5 Gal]	1
	16	1015852	(10000000-20000000) Screw, Hex, M8 X 1.25 X 25, NI, Fl, Ss	4
	17	140027	(10000000-20000000) Washer, Flat, 0.35b 0.75d .04, Ss	4
	18	1031418	(10000000-20000000) Cover, Frame, Rear [Trex]	1
	19	1014918	(10000000-20000000) Wheel, 03.0d 0.88w 0.31b, W/ Bshg, Rbr	2
	20	1035139	(10000000-20000000) Ring, Retaining, Ext, 0.31d, E- Type	2
	21	1035137	(10000000-20000000) Pin, Clevis, Grvd 0.31d X 2.00l, Ss	2
	22	1039073	(10000000-20000000) Wheel Assy, 8.0d 2.0w 0.5b W/Brg	2
	23	1038770	(10000000-20000000) Washer, Flat, 0.50b 0.75d 0.06, Ss	2
	24	1033757	(10000000-20000000) Bolt, Shld, .50 X 3.25, .38- 16, Ss	2
	25	33925	(10000000-20000000) Washer, Flat, M12, Ss	2
	26	01685	(10000000-20000000) Washer, Flat, 0.38b 0.88d .08, Ss	3
	27	1031527	(10000000-20000000) Frame (Machined)	1
	28	1019349	(10000000-20000000) Screw, Trs, M6 X 1.00 X 16, Ss, Sems	2
	29	1051665	(10000000-20000000) Bracket, Adjustment, Head	1
	30	1036668	(10000000-20000000) Bumper, Front	1
	31	08714	(10000000-20000000) Nut, Hex, Lock, M10 X 1.5, NI, Ss	1
	32	1051666	(10000000-20000000) Adjuster, Roller	1
	33	09162	(10000000-20000000) Screw, Set, Soc, M6 X 1.00 X 8, NI	1
	34	1035496	(10000000-20000000) Bracket, Roller	1
	35	1035519	(10000000-20000000) Bar, Rnd, Stl, 0.31d X 4.09l, 2cham	1
	36	605317	(10000000-20000000) Roller, Sqge, 1.35od X 1.48l [Delrin]	2
	37	1036002	(10000000-20000000) Knob, Adj, M10 X50 Stud, Blk	1
	38	08713	(10000000-20000000) Nut, Hex, Lock, M8 X 1.25, NI, Ss	1
	39	49826	(10000000-20000000) Screw, Hex, M8 X 1.25 X 16, NI, Ss	2
	40	1014918	(10000000-20000000) Wheel, 03.0d 0.88w 0.31b, W/ Bshg, Rbr	1
	41	1034805	(10000000-20000000) Bracket, Bumper Wheel	1
	42	48732	(10000000-20000000) Screw, Pan, Phl, M6 X 1.00 X 10, Ss	1
	43	140016	(10000000-20000000) Washer, Lock, Split, 0.25, Ss	1
	44	1020341	(10000000-20000000) Screw, Hex, M8 X 1.25 X 20, Ss, Sems	4
	45	57167	(10000000-20000000) Plug, Hole, Rnd, 0.62h .03- .12, Blk Nyl (Non- Telemetry Models)	1
N/S	1033926	(10000000-20000000)	Harness, Chassis, Ele [T- Rex Readyspace]	1

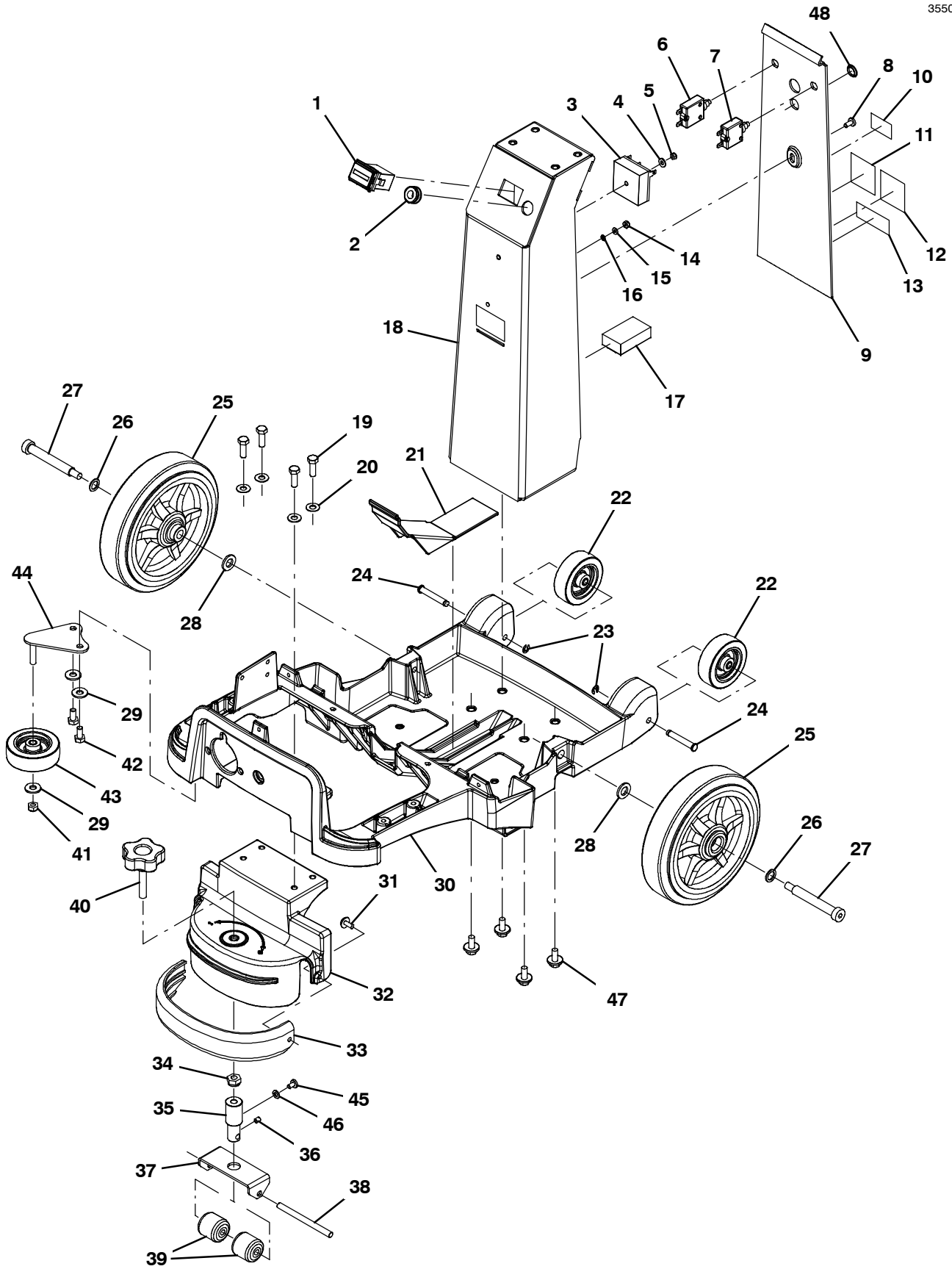
▽ ASSEMBLY

▲ INCLUDED IN ASSEMBLY

N/S = NOT SHOWN

FRAME GROUP, 230V

355065



## FRAME GROUP, 230V

Ref.	Part No.	Serial Number	Description	Qty.	
1	1064038	(10000000- 20000000 )	Gauge, Hourmeter, 05- 277 Volt, Ac / Dc	1	
2	86726	(10000000- 20000000 )	Grommet, Rbr, 0.44id, F/0.5h, .19 Matl	1	
3	1032245	(10000000- 20000000 )	Module, Timer, 240vac[T- Rex Readyspace]	1	
4	01683	(10000000- 20000000 )	Washer, Flat, 10, Ss	1	
5	09739	(10000000- 20000000 )	Nut, Hex, Lock, M5 X 0.80, Ni, Ss	1	
6	1037100	(10000000- 20000000 )	Circuitbreaker, 2.5 Amp, 230 Volt	1	
7	1037086	(10000000- 20000000 )	Circuitbreaker, 7.5 Amp, 230 Volt	1	
8	74027	(10000000- 20000000 )	Screw, Pan, Phl, M6 X 1.00 X 12, Ni, PI	1	
▽	9	9004294	(10000000- 20000000 )	Column, Cover W/ Labels 5 Gal 230v Kit	1
▲	10	NA	(10000000- 20000000 )	Label, Safety, 230Vac [Ce, C- Tic]	1
▲	11	1030494	(10000000- 20000000 )	Label, Hzrd, Flammable Matl, Ce	1
▲	12	1028077	(10000000- 20000000 )	Label [Read Manual, Iso]	1
▲	13	993852	(10000000- 20000000 )	Label, Warning [Electrical Hazard]	1
	14	1044427	(10000000- 20000000 )	Nut, Hex, Lock, #8- 32, Ni, Ss	1
	15	41578	(10000000- 20000000 )	Washer, Flat, 06, Ss	1
	16	02938	(10000000- 20000000 )	Washer, Lock, Int, 08, Ss	1
	17	1043600	(10000000- 20000000 )	Filter, Pump, 250 Vac, 3a, 50/60hz	1
	18	9004274	(10000000- 20000000 )	Column Kit, Sppt, W/ Label [5 Gal]	1
	19	1015852	(10000000- 20000000 )	Screw, Hex, M8 X 1.25 X 25, Ni, Fl, Ss	4
	20	140027	(10000000- 20000000 )	Washer, Flat, 0.35b 0.75d .04, Ss	4
	21	1031418	(10000000- 20000000 )	Cover, Frame, Rear [Trex]	1
	22	1014918	(10000000- 20000000 )	Wheel, 03.0d 0.88w 0.31b, W/ Bshg, Rbr	2
	23	1035139	(10000000- 20000000 )	Ring, Retaining, Ext, 0.31d, E- Type	2
	24	1035137	(10000000- 20000000 )	Pin, Clevis, Grvd 0.31d X 2.00l, Ss	2
	25	1039073	(10000000- 20000000 )	Wheel Assy, 8.0d 2.0w 0.5b W/Brg	2
	26	1038770	(10000000- 20000000 )	Washer, Flat, 0.50b 0.75d 0.06, Ss	2
	27	1033757	(10000000- 20000000 )	Bolt, Shld, .50 X 3.25, .38- 16, Ss	2
	28	33925	(10000000- 20000000 )	Washer, Flat, M12, Ss	2
	29	01685	(10000000- 20000000 )	Washer, Flat, 0.38b 0.88d .08, Ss	3
	30	1031527	(10000000- 20000000 )	Frame (Machined)	1
	31	1019349	(10000000- 20000000 )	Screw, Trs, M6 X 1.00 X 16, Ss, Sems	2
	32	1051665	(10000000- 20000000 )	Bracket, Adjustment, Head	1
	33	1036668	(10000000- 20000000 )	Bumper, Front	1
	34	08714	(10000000- 20000000 )	Nut, Hex, Lock, M10 X 1.5, Ni, Ss	1
	35	1051666	(10000000- 20000000 )	Adjuster, Roller	1
	36	09162	(10000000- 20000000 )	Screw, Set, Soc, M6 X 1.00 X 8, Ni	1
	37	1035496	(10000000- 20000000 )	Bracket, Roller	1
	38	1035519	(10000000- 20000000 )	Bar, Rnd, Stl, 0.31d X 4.09l, 2cham	1
	39	605317	(10000000- 20000000 )	Roller, Sqge, 1.35od X 1.48l [Delrin]	2
	40	1036002	(10000000- 20000000 )	Knob, Adj, M10 X50 Stud, Blk	1
	41	08713	(10000000- 20000000 )	Nut, Hex, Lock, M8 X 1.25, Ni, Ss	1
	42	49826	(10000000- 20000000 )	Screw, Hex, M8 X 1.25 X 16, Ni, Ss	2
	43	1014918	(10000000- 20000000 )	Wheel, 03.0d 0.88w 0.31b, W/ Bshg, Rbr	1
	44	1034805	(10000000- 20000000 )	Bracket, Bumper Wheel	1
	45	48732	(10000000- 20000000 )	Screw, Pan, Phl, M6 X 1.00 X 10, Ss	1
	46	140016	(10000000- 20000000 )	Washer, Lock, Split, 0.25, Ss	1
	47	1020341	(10000000- 20000000 )	Screw, Hex, M8 X 1.25 X 20, Ss, Sems	4
	48	57167	(10000000- 20000000 )	Plug, Hole, Rnd, 0.62h .03- .12, Blk Nyl (Non- Telemetry Models)	1
N/S	1033926	(10000000- 20000000 )	Harness, Chassis, Ele [T- Rex Readyspace]	1	

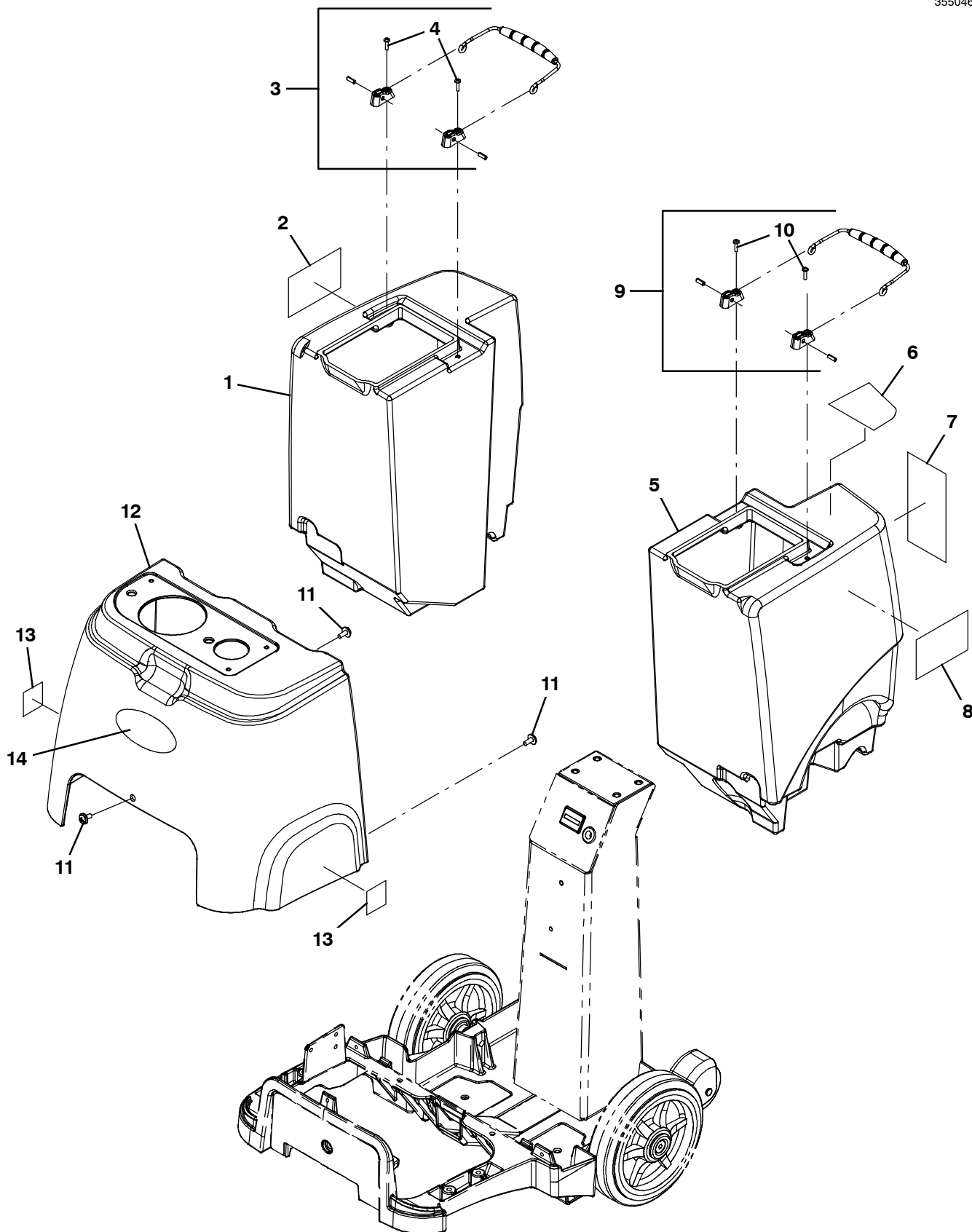
▽ ASSEMBLY

▲ INCLUDED IN ASSEMBLY

N/S = NOT SHOWN

TANKS AND SHROUD GROUP

355046



## TANKS AND SHROUD GROUP

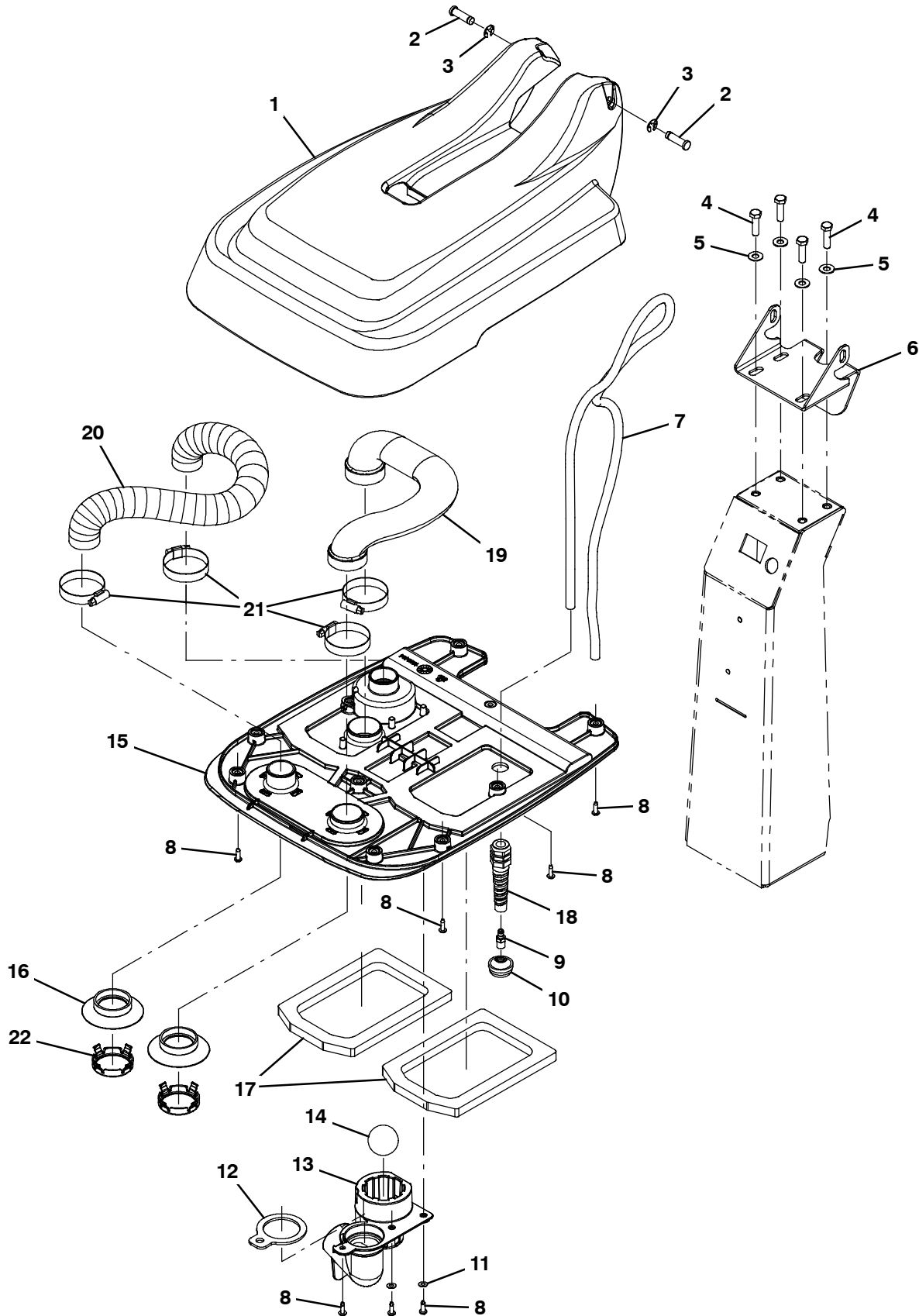
	Ref.	Part No.	Serial Number	Description	Qty.
▽	1	9004303	(10000000- 20000000 )	Tank, Rec W/ Labels Tennant 5 Gal Kit	1
▲	2	1039086	(10000000- 20000000 )	Label, Side [R3 Readyspace]	1
▲▽	3	9004285	(10000000- 20000000 )	Handle, Tank Kit	1
▲▲	4	24265	(10000000- 20000000 )	Screw, Pan, Phl, M4 X 0.70 X 16, Ss	2
▽	5	9004305	(10000000- 20000000 )	Tank, Sol W/ Labels Tennant 5 Gal Kit	1
▲	6	1038968	(10000000- 20000000 )	Label, Soltn, Tank [5.0 Gal]	1
▲	7	1040113	(10000000- 20000000 )	Label, Oper, Instr [Readyspace]	1
▲	8	1039086	(10000000- 20000000 )	Label, Side [R3 Readyspace]	1
▲▽	9	9004285	(10000000- 20000000 )	Handle, Tank Kit	1
▲▲	10	24265	(10000000- 20000000 )	Screw, Pan, Phl, M4 X 0.70 X 16, Ss	2
	11	1019349	(10000000- 20000000 )	Screw, Trs, M6 X 1.00 X 16, Ss, Sems	3
▽	12	9004298	(10000000- 20000000 )	Shroud, W/ Labels Tennant 5 Gal Kit	1
▲	13	578769	(10000000- 20000000 )	Decal, Moving Parts Textless	2
▲	14	1039084	(10000000- 20000000 )	Label, Logo, White, Tennant, 5.5"Lg	1

▽ ASSEMBLY

▲ INCLUDED IN ASSEMBLY

TANK COVER GROUP

355047





## TANK COVER GROUP

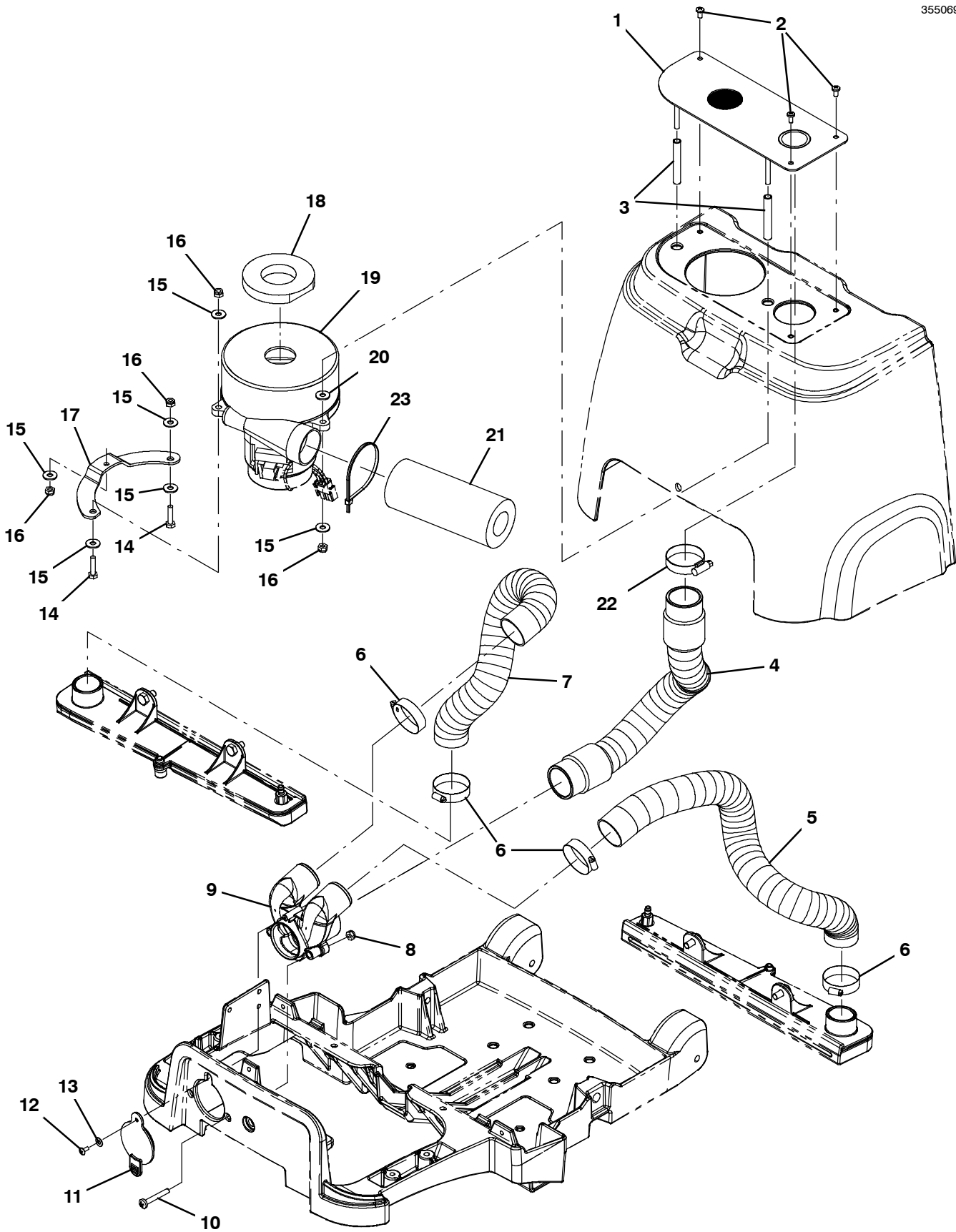
Ref.	Part No.	Serial Number	Description	Qty.	
1	1031638	(10000000- 20000000 )	Cover , Tank, Upper, Tennant [Trex]	1	
2	1035358	(10000000- 20000000 )	Pin, Grvd, 0.375d, 1.25l	2	
3	24555	(10000000- 20000000 )	Ring, Retaining, Ext, 0.38d, [E- Ring]	2	
4	1016399	(10000000- 20000000 )	Screw, Hex, M8 X 1.25 X 30, NI, Ss	4	
5	140027	(10000000- 20000000 )	Washer, Flat, 0.35b 0.75d .04, Ss	4	
6	1034346	(10000000- 20000000 )	Bracket, Pivot, Cover, Mtg	1	
7	1036063	(10000000- 20000000 )	Hose, Soltn, .25 Id, .453 Od, 56.0 L	1	
8	140340	(10000000- 20000000 )	Screw, Pan, Phl, 10- 24 X 0.62, Ss[Typ25]	13	
9	1042715	(10000000- 20000000 )	Fitting, Brs, Str, Bm04/Pm02	1	
10	1074694	(10000000- 20000000 )	Filter, Tube, Soltn, 200mesh	1	
11	140011	(10000000- 20000000 )	Washer, Flat, 0.21b 0.45d .03, Ss	2	
12	1051274	(10000000- 20000000 )	Gasket, Shield, Float	1	
13	1042277	(10000000- 20000000 )	Shield, Float	1	
14	1044370	(10000000- 20000000 )	Ball, Float, W/O Cage	1	
▽	15	9005924	(10000000- 20000000 )	Cover, Tank, Inner W/ Seals, Kit	1
▲	16	1036090	(10000000- 20000000 )	Seal, Vacuum [Trex]	2
▲	17	1052876	(10000000- 20000000 )	Gasket, Tank	2
▲	18	602849	(10000000- 20000000 )	Strainrelief, Cord, Ele, Pm08, Blk Nyl	1
	19	1035866	(10000000- 20000000 )	Hose, Recvy, Formed [Trex]	1
	20	1037756	(10000000- 20000000 )	Hose, Vacuum, 1.5od, 18.0l [Wire- Reinf]	1
	21	140308	(10000000- 20000000 )	Clamp, Hose, Wormdrive, 1.31- 2.25d, .50w	4
	22	1054345	(10451589- 20000000 )	Clip, Retaining, Seal	2

▽ ASSEMBLY

▲ INCLUDED IN ASSEMBLY

VACUUM FAN GROUP

355069



## VACUUM FAN GROUP

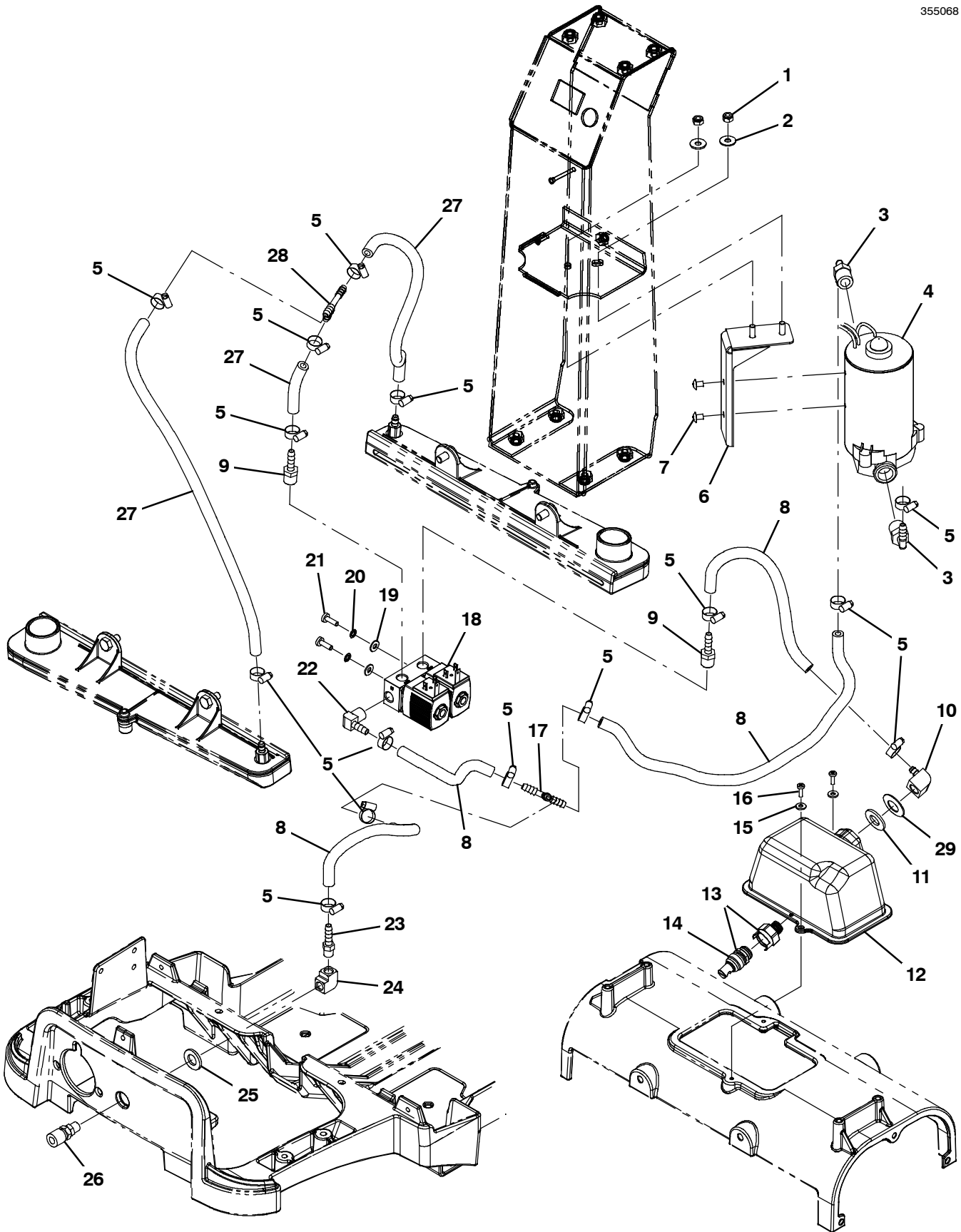
Ref.	Part No.	Serial Number	Description	Qty.	
1	1031960	(10000000- 20000000 )	Plate, Mtg, Vacuum	1	
2	1026454	(10000000- 20000000 )	Screw, Pan, Phl, M5 X 0.80 X 10, Ss	3	
3	610144	(10000000- 20000000 )	Spacer, Fan	2	
4	1032555	(10000000- 20000000 )	Hose, Vacuum, 1.50id X 19.5l, 2cuff, Clr	1	
5	1038373	(10000000- 20000000 )	Hose, Vacuum, Wir, 38.0id X 570.0l, Clr	1	
6	79381	(10000000- 20000000 )	Clamp, Hose, Wormdrive, 1.25- 2.00d, .50w	4	
7	1038379	(10000000- 20000000 )	Hose, Vacuum, Wir, 38.0id X 335.0l, Clr	1	
8	08708	(10000000- 20000000 )	Nut, Hex, Lock, M6 X 1.00, NI	2	
9	1050092	(10000000- 20000000 )	Manifold, Soltn, Wand [Trex]	1	
10	09258	(10000000- 20000000 )	Screw, Pan, Phl, M6 X 1.00 X 40, 4.8	2	
11	607183	(10000000- 20000000 )	Seal, Cap, Vacuum Tool [607170]	1	
12	140801	(10000000- 20000000 )	Screw, Trs, Phl, 08- 32 X 0.38, Ss	1	
13	140011	(10000000- 20000000 )	Washer, Flat, 0.21b 0.45d .03, Ss	1	
14	09007	(10000000- 20000000 )	Screw, Hex, M6 X 1.00 X 25, Ss	2	
15	01684	(10000000- 20000000 )	Washer, Flat, 0.27b 0.69d .05, Ss	6	
16	08708	(10000000- 20000000 )	Nut, Hex, Lock, M6 X 1.00, NI	4	
17	1034069	(10000000- 20000000 )	Plate, Vac Mounting	1	
18	630010	(10000000- 20000000 )	Gasket, 12.7mm Th, 43mmid 73mmmod	1	
▽	19	9012566	(10669373- 20000000 )	Fan Kit, Vacuum, 5.7d, 120vac, 2 Stage	1
	19	1071839	(10000000- 10669372 )	Fan, Vacuum, 5.7d, 120 Vac, 2 Stage (Replaced by 9012566)	1
▲		1071842	(10669373- 20000000 )	Vr, Brush Kit, Vac Fan 1071839	1
▲	20	01684	(10000000- 20000000 )	Washer, Flat, 0.27b 0.69d .05, Ss	1
▽	19	9012567	(10669373- 20000000 )	Fan Kit, Vacuum, 5.7d, 240vac, 2 Stage	1
	19	1071840	(10000000- 10669372 )	Fan, Vacuum, 5.7d, 240 Vac, 2 Stage (Replaced by 9012567)	1
▲		1071843	(10669373- 20000000 )	Vr, Brush Kit, Vac Fan 1071840	1
▲	20	01684	(10000000- 20000000 )	Washer, Flat, 0.27b 0.69d .05, Ss	1
	21	130773	(10000000- 20000000 )	Tie, Cable, Nyl, 11.0l, .14w, 3.0 Max. D	1
	22	600009	(10000000- 20000000 )	Muffler, Exhaust, Vacfan	1
	23	11531	(10000000- 20000000 )	Clamp, Hose, Wormdrive, 1.06- 2.00d, .56w	1

▽ ASSEMBLY

▲ INCLUDED IN ASSEMBLY

SOLUTION GROUP

355068



## SOLUTION GROUP

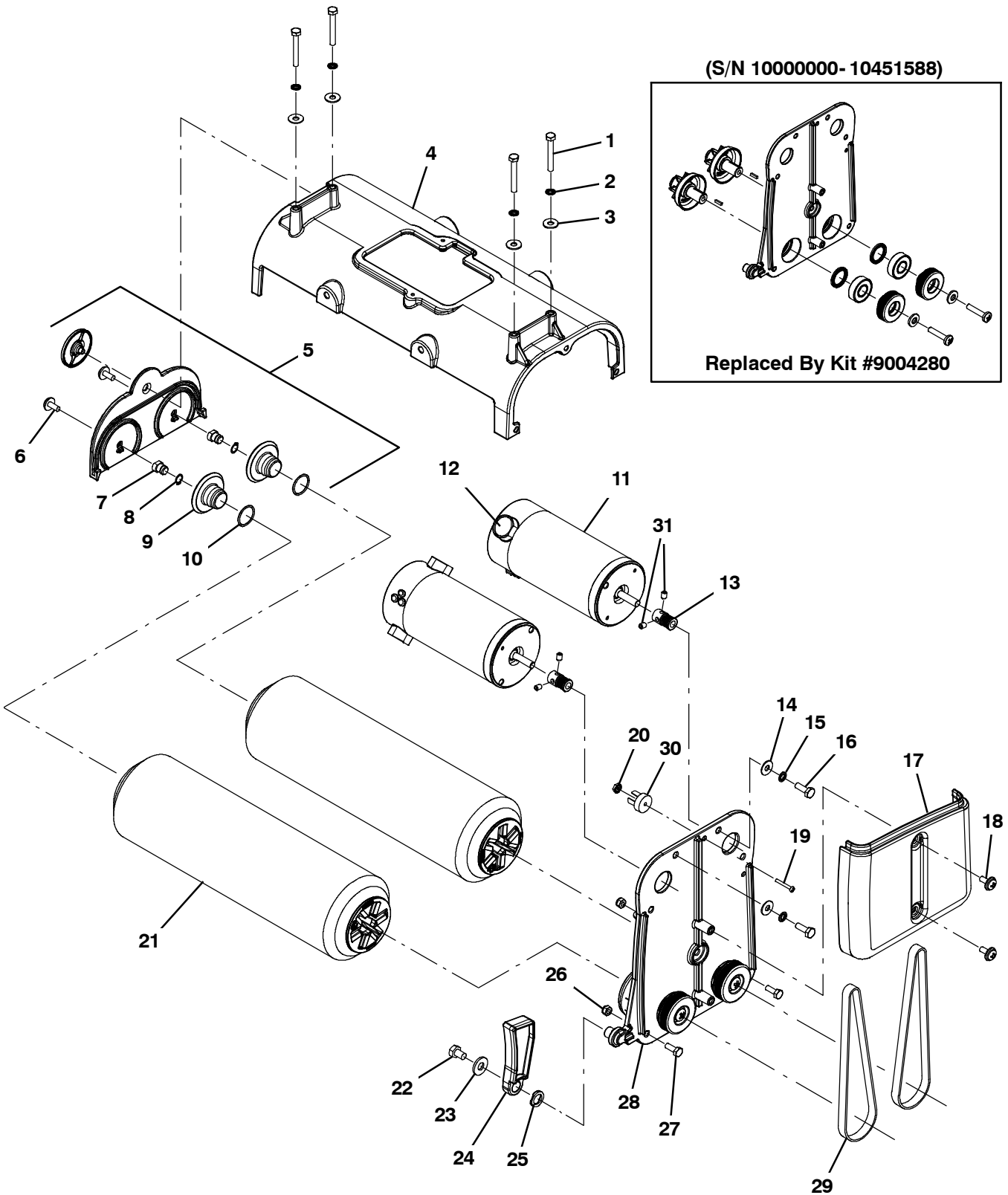
Ref.	Part No.	Serial Number	Description	Qty.	
1	08712	(10000000- 20000000 )	Nut, Hex, Lock, M6 X 1.00, NI, Ss	2	
2	01684	(10000000- 20000000 )	Washer, Flat, 0.27b 0.69d .05, Ss	2	
3	150417	(10000000- 20000000 )	Fitting, Plstc, E90, Bm04/Pm06	2	
4	1031915	(10000000- 20000000 )	Pump, Soltn, Ele, 110vac	1	
4	1032241	(10000000- 20000000 )	Pump, Ele, Soltn, 230v	1	
5	43844	(10000000- 20000000 )	Clamp, Hose, Wormdrive, 0.25- 0.62d, .31w	15	
6	1034331	(10000000- 20000000 )	Bracket, Pump	1	
7	140874	(10000000- 20000000 )	Screw, Hex, 10- 32 X 0.38, PI [Inwa Ty1]	2	
8	606364	(10000000- 20000000 )	Hose, Pvc, Brd, 0.25id 0.50od 60.0l,Gray (160204)	1	
9	150515	(10000000- 20000000 )	Fitting, Brs, Str, Bm04/Pm04 [Taped]	2	
10	1028773	(10000000- 20000000 )	Fitting, Brs, E90, Bm04/Pf04	1	
11	32486	(10000000- 20000000 )	Washer, Flat, 0.50, Sae	1	
12	1033445	(10000000- 20000000 )	Shroud, Splash, Nozzle [Trex]	1	
▽	13	1061033	(10000000- 20000000 )	Nozzle Assy, Spray [1/4qjja+Qtka- 1]]	1
▲	14	1034685	(10000000- 20000000 )	Nozzle, Tip, Spray [Qtka]	1
15	41579	(10000000- 20000000 )	Washer, Flat, 08, Ss	2	
16	579237	(10000000- 20000000 )	Screw, Pan, Phl, M4 X 0.70 X 12, Ss	2	
17	150713	(10000000- 20000000 )	Fitting, Plstc, Tee, Bm04/Bm04/Bm04	1	
18	1037846	(10000000- 20000000 )	Manifold, Soltn, 120 Volt	1	
18	1038022	(10000000- 20000000 )	Manifold, Soltn, 230 Volt	1	
19	01683	(10000000- 20000000 )	Washer, Flat, 10, Ss	2	
20	07514	(10000000- 20000000 )	Washer, Lock, Int, 10, Ss	2	
21	140841	(10000000- 20000000 )	Screw, Pan, Phl, 10- 32 X 0.62, Ss	2	
22	150418	(10000000- 20000000 )	Fitting, Brs, E90, Bm04/Pm04	1	
23	150525	(10000000- 20000000 )	Fitting, Brs, Str, Bm04/Pm02	1	
24	150402	(10000000- 20000000 )	Fitting, Brs, E90, Pf02/Pf02	1	
25	3148.816	(10000000- 20000000 )	Washer, Flat, 0.52b 0.88d .06, Stl, PI	1	
26	150915	(10000000- 20000000 )	Fitting, Brs, Qdc, Pm02, Fem [Ser 5]	1	
27	606161	(10000000- 20000000 )	Hose, Pvc, Brd, 0.25id 0.50od 36.0l,Gray (160204)	1	
28	150713	(10000000- 20000000 )	Fitting, Plstc, Tee, Bm04/Bm04/Bm04	1	
29	1035296	(10000000- 20000000 )	Washer, Flat, Belleville, .567	1	

▽ ASSEMBLY

▲ INCLUDED IN ASSEMBLY

SCRUB HEAD GROUP, 120V

355066



## SCRUB HEAD GROUP, 120V

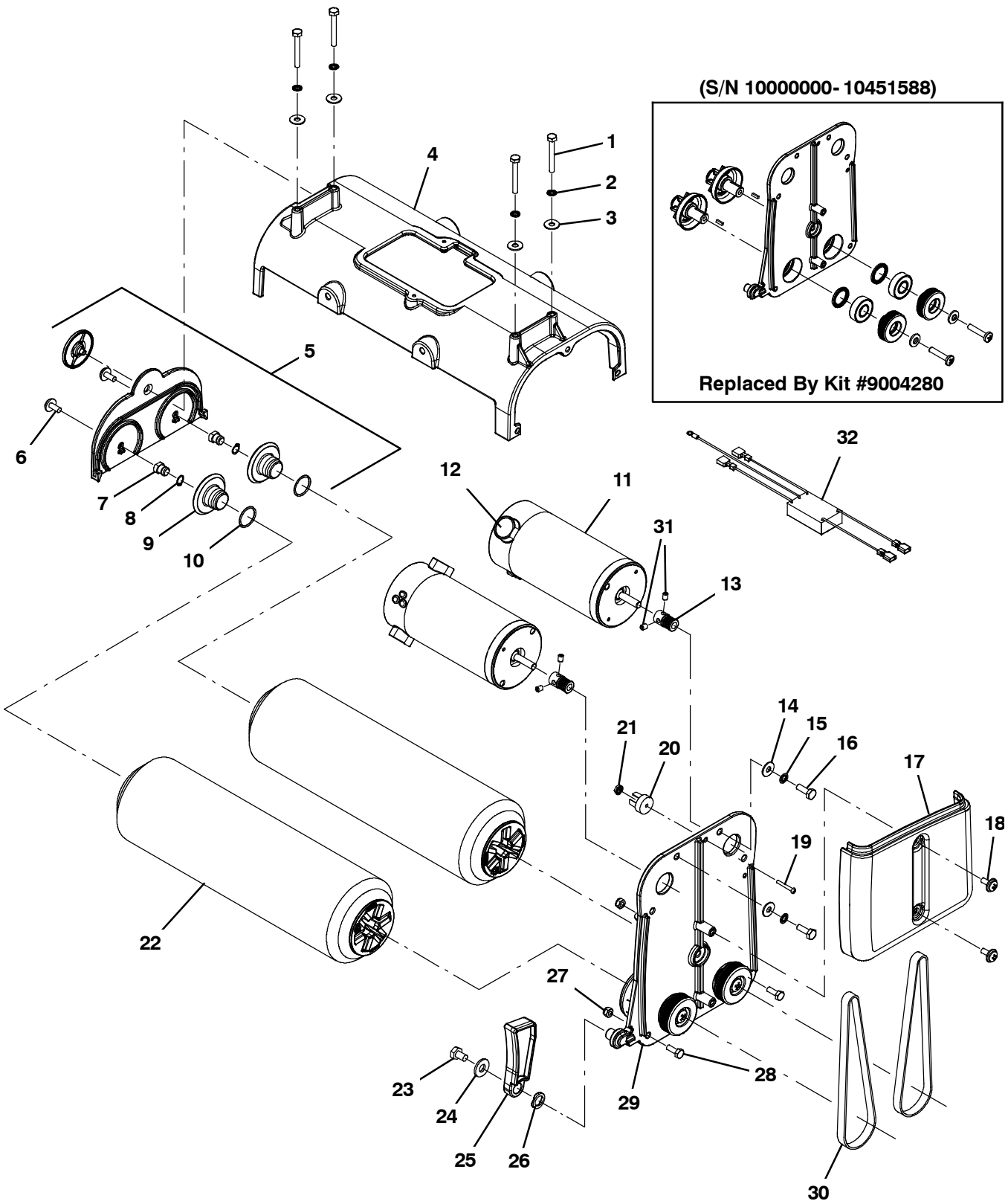
Ref.	Part No.	Serial Number	Description	Qty.
	1	1045325	(10000000- 20000000 ) Screw, Hex, M6 X 1.00 X 45, Ss	8
	2	1027144	(10000000- 20000000 ) Washer, Lock, Int, M6, Ss	8
	3	01684	(10000000- 20000000 ) Washer, Flat, 0.27b 0.69d .05, Ss	8
	4	1054903	(10000000- 20000000 ) Housing, Brush, Dbl, 40cm	1
▽	5	9007963	(10000000- 20000000 ) Door Kit, Brush, W/ Hdwr	1
▲	6	1019349	(10000000- 20000000 ) Screw, Trs, M6 X 1.00 X 16, Ss, Sems	2
▲	7	1030682	(10000000- 20000000 ) Shaft, Idler Plug	2
▲	8	01543	(10000000- 20000000 ) Ring, Retaining, Ext, 0.39d, Basic	2
▲	9	1030680	(10000000- 20000000 ) Hub, Idler, Brush	2
▲	10	1042312	(10000000- 20000000 ) Seal, Org, .103 X .862 Id, 118	2
▽	11	1072721	(10656884- 20000000 ) Motor, Ele, 115vdc 1550rpm .25hp 2.3a	2
▲	12	1067897	(10656884- 20000000 ) Vr, Brush Kit, Motor	4
▽	11	1035298	(10000000- 10656883 ) Motor, .25hp, 115vdc, 2.1a, 1550 Rpm (Replaced by 1072721)	2
▲	12	1045465	(10000000- 10656883 ) Brush, Carbon (Pk=2) Ref Part 1035298	4
	13	1030623	(10000000- 20000000 ) Sheave, 07grv, 16.03pd [Ph]	2
	14	01684	(10000000- 20000000 ) Washer, Flat, 0.27b 0.69d .05, Ss	4
	15	07515	(10000000- 20000000 ) Washer, Lock, Int, 0.25, Ss	4
	16	34323	(10000000- 20000000 ) Screw, Hex, .25- 20 X 0.75, NI	4
	17	1031169	(10000000- 20000000 ) Cover, Belt, BI- Gr (Dual Roller)	1
	18	1019349	(10000000- 20000000 ) Screw, Trs, M6 X 1.00 X 16, Ss, Sems	2
	19	140946	(10000000- 20000000 ) Screw, Rnd, Sltd, 06- 32 X 1.00, Nyl	1
	20	140534	(10000000- 20000000 ) Nut, Hex, #06- 32, Nyl	1
	21	1028953	(10000000- 20000000 ) Roller Assy, Readyspace	2
	22	386868	(10000000- 20000000 ) Screw, Hex, M8 X 1.25 X 12, Ss	1
	23	07515	(10000000- 20000000 ) Washer, Lock, Int, 0.25, Ss	1
	24	1042443	(10000000- 20000000 ) Support, Kickstand, Blk, Nyl	1
	25	140060	(10000000- 20000000 ) Washer .505x.750x.045 Wave	1
	26	08712	(10000000- 20000000 ) Nut, Hex, Lock, M6 X 1.00, NI, Ss	3
	27	15678	(10000000- 20000000 ) Screw, Hex, M6 X 1.00 X 16, Ss	3
	28	9004280	(10000000- 20000000 ) Bracket, Motor Mount W/ Bearing/Seal Kit	1
	29	9004282	(10000000- 20000000 ) Belt Kit, W/ Installation Tool [Qty 2]	1
	30	130288	(10000000- 20000000 ) Rectifier, Bridge, Rnd, 12a 1000volt, Ce	1
	31	09162	(10000000- 20000000 ) Screw, Set, Soc, M6 X 1.00 X 8, NI	4

▽ ASSEMBLY

▲ INCLUDED IN ASSEMBLY

SCRUB HEAD GROUP, 230V

355067



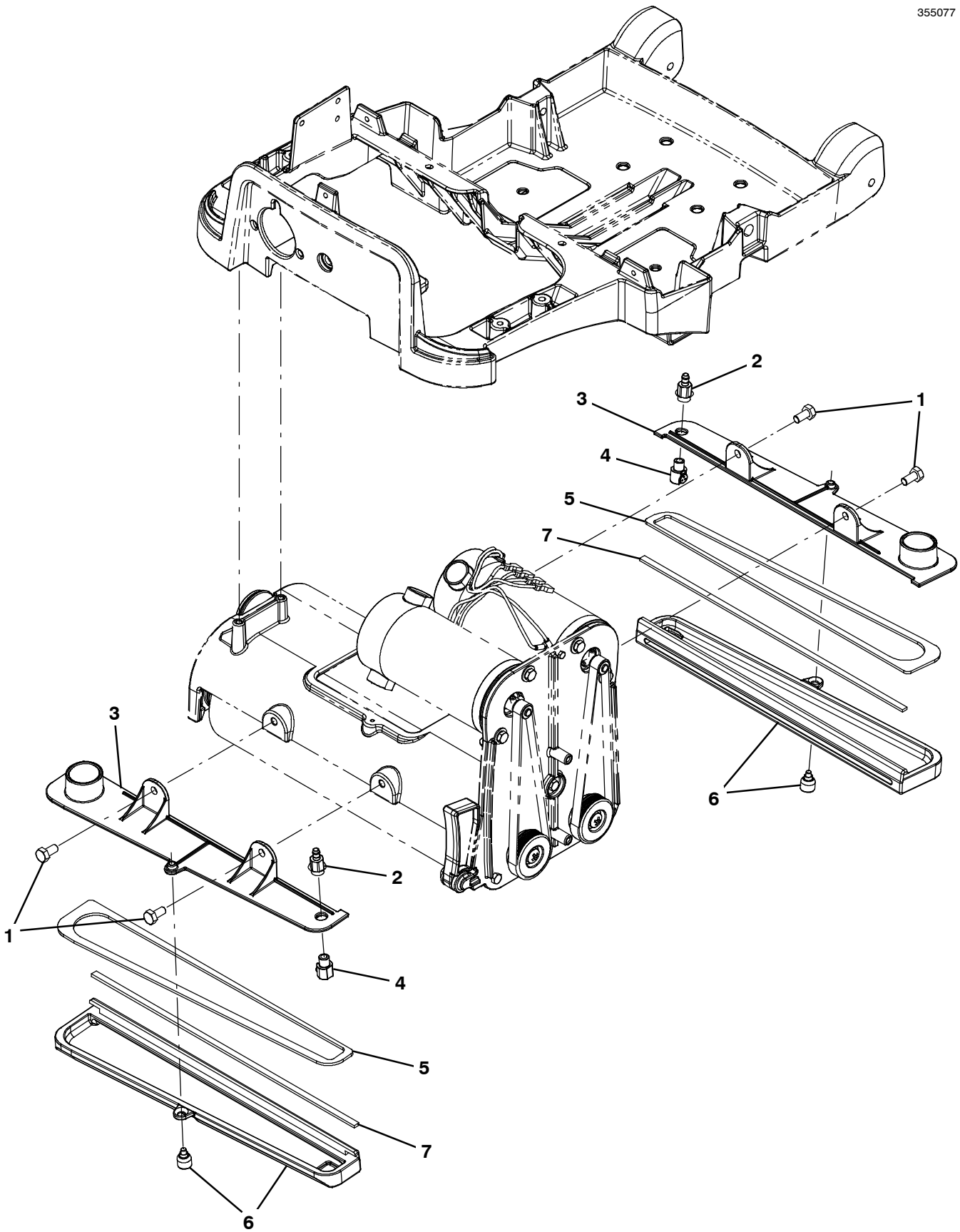


## SCRUB HEAD GROUP, 230V

Ref.	Part No.	Serial Number	Description	Qty.
1	1045325	(10000000-20000000)	Screw, Hex, M6 X 1.00 X 45, Ss	8
2	1027144	(10000000-20000000)	Washer, Lock, Int, M6, Ss	8
3	01684	(10000000-20000000)	Washer, Flat, 0.27b 0.69d .05, Ss	8
4	1054903	(10000000-20000000)	Housing, Brush, Dbl, 40cm	1
▽	5	9007963	(10000000-20000000) Door Kit, Brush, W/ Hdwr	1
▲	6	1019349	(10000000-20000000) Screw, Trs, M6 X 1.00 X 16, Ss, Sems	2
▲	7	1030682	(10000000-20000000) Shaft, Idler Plug	2
▲	8	01543	(10000000-20000000) Ring, Retaining, Ext, 0.39d, Basic	2
▲	9	1030680	(10000000-20000000) Hub, Idler, Brush	2
▲	10	1042312	(10000000-20000000) Seal, Org, .103 X .862 Id, 118	2
▽	11	1072722	(10656884-20000000) Motor, Ele, 230vdc 1600rpm .25hp 1.2a	2
▲	12	1067897	(10656884-20000000) Vr, Brush Kit, Motor	4
▽	11	1036629	(10000000-10656883) Motor, .25hp, 230vdc, 1.2a, 1600 Rpm (Replaced by 1072722)	2
▲	12	1045463	(10000000-10656883) Brush, Carbon (Pk=2) Ref Part 1036629	4
	13	1030623	(10000000-20000000) Sheave, 07grv, 16.03pd [Ph]	2
	14	01684	(10000000-20000000) Washer, Flat, 0.27b 0.69d .05, Ss	4
	15	07515	(10000000-20000000) Washer, Lock, Int, 0.25, Ss	4
	16	34323	(10000000-20000000) Screw, Hex, .25- 20 X 0.75, NI	4
	17	1031169	(10000000-20000000) Cover, Belt, Bl- Gr (Dual Roller)	1
	18	1019349	(10000000-20000000) Screw, Trs, M6 X 1.00 X 16, Ss, Sems	2
	19	140946	(10000000-20000000) Screw, Rnd, Sltd, 06- 32 X 1.00, Nyl	1
	20	130288	(10000000-20000000) Rectifier, Bridge, Rnd, 12a 1000volt, Ce	1
	21	140534	(10000000-20000000) Nut, Hex, #06- 32, Nyl	1
	22	1028953	(10000000-20000000) Roller Assy, Readyspace	2
	23	386868	(10000000-20000000) Screw, Hex, M8 X 1.25 X 12, Ss	1
	24	07515	(10000000-20000000) Washer, Lock, Int, 0.25, Ss	1
	25	1042443	(10000000-20000000) Support, Kickstand, Blk, Nyl	1
	26	140060	(10000000-20000000) Washer .505x.750x.045 Wave	1
	27	08712	(10000000-20000000) Nut, Hex, Lock, M6 X 1.00, NI, Ss	3
	28	15678	(10000000-20000000) Screw, Hex, M6 X 1.00 X 16, Ss	3
	29	9004280	(10000000-20000000) Bracket, Motor Mount W/ Bearing/Seal Kit	1
	30	9004282	(10000000-20000000) Belt Kit, W/ Installation Tool [Qty 2]	1
	31	09162	(10000000-20000000) Screw, Set, Soc, M6 X 1.00 X 8, NI	4
	32	1036953	(10000000-20000000) Filter, Brush, 270 Vdc, 3a	1

ROLLER TOOL GROUP

355077

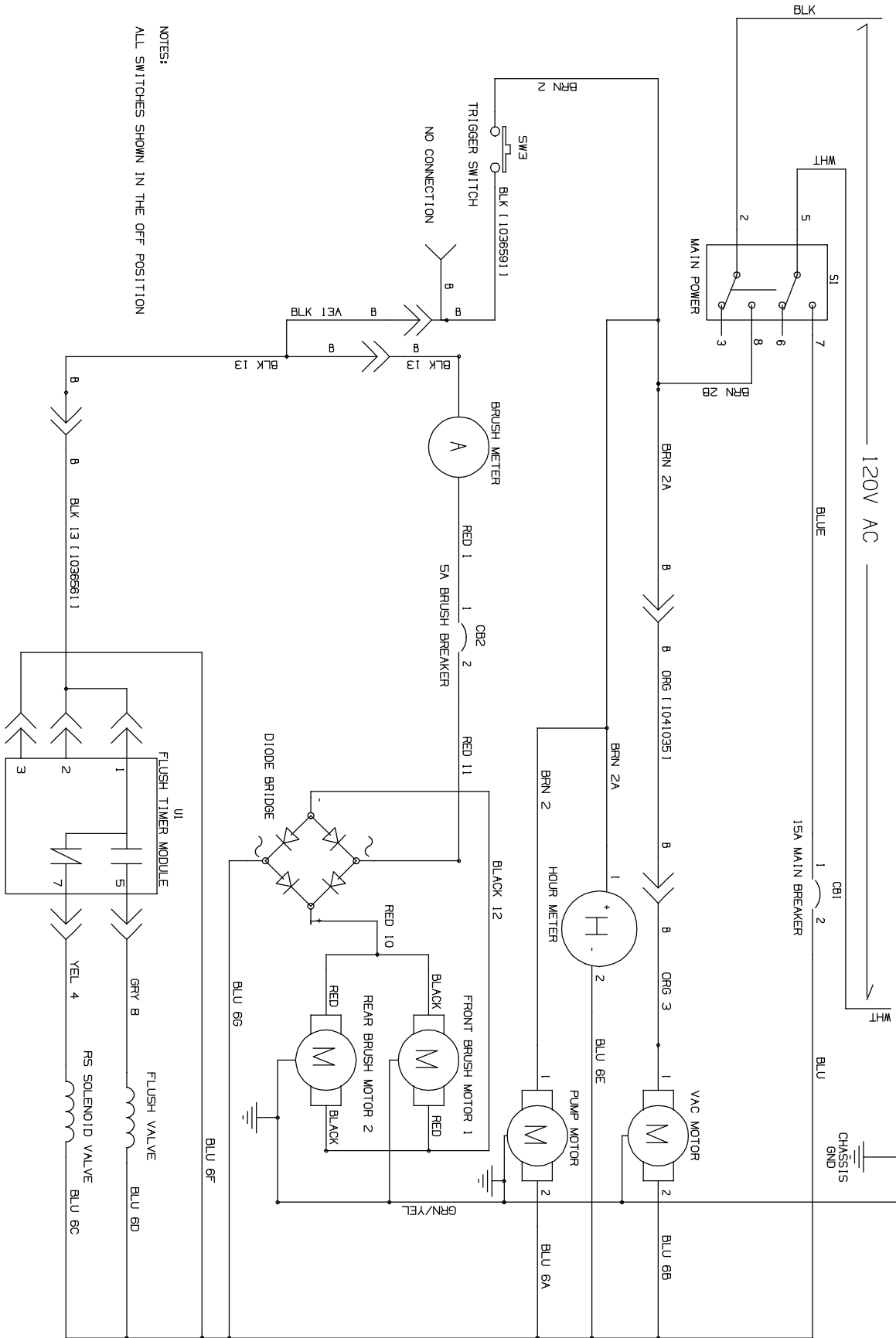


## ROLLER TOOL GROUP

Ref.	Part No.	Serial Number	Description	Qty.
1	49826	(10000000- 20000000 )	Screw, Hex, M8 X 1.25 X 16, NI, Ss	4
2	1040254	(10000000- 20000000 )	Fitting, Brs, Str, Bm04/Pf02	2
3	1054838	(10000000- 20000000 )	Cover, Tool, Str Roll Vacuum, 380mm	2
4	1037380	(10000000- 20000000 )	Nozzle, Flush, Readyspace	2
5	1034819	(10000000- 20000000 )	Gasket, Tool ,Cover	2
6	9004284	(10000000- 20000000 )	Cover, Tool W/ Hardware Kit	2
7	9006593	(10000000- 20000000 )	R3 Foam Gasket Service Kit	1

ELECTRICAL DIAGRAM, 120V

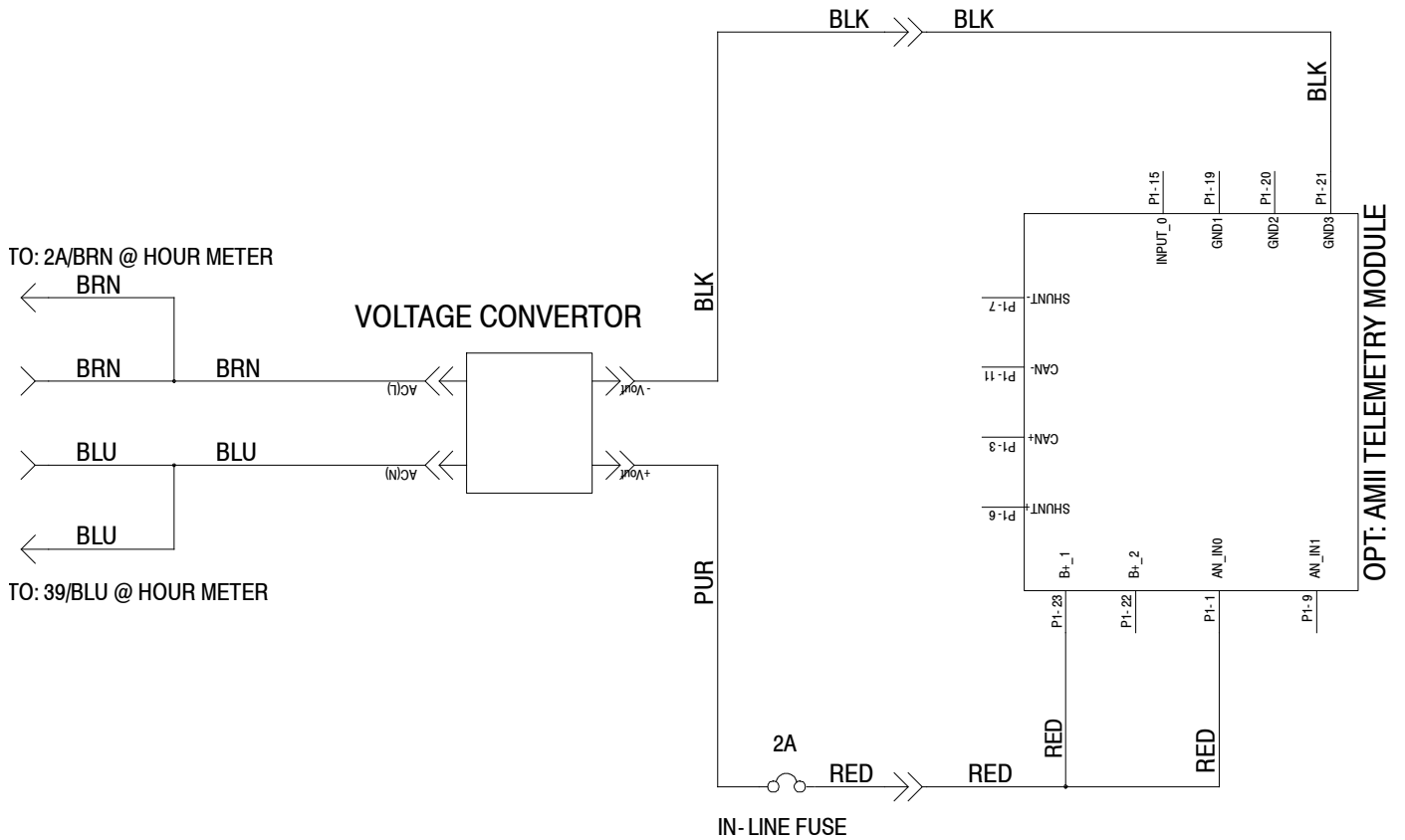
1046175\_E



NOTES:  
ALL SWITCHES SHOWN IN THE OFF POSITION

ELECTRICAL DIAGRAM, 120V IRIS TELEMETRY OPTION

1046175\_D

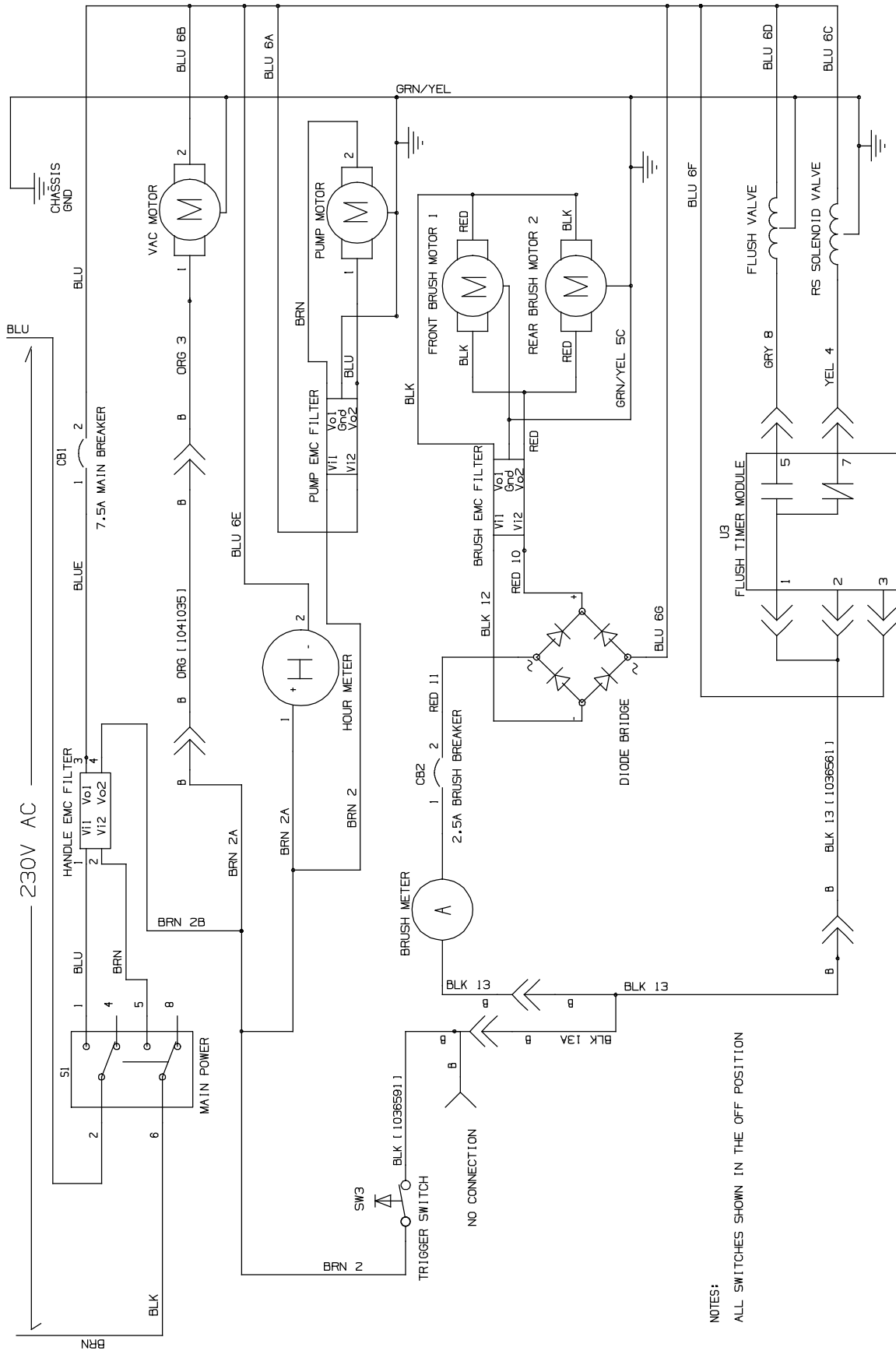


- NOTES:
- 2A/BRN AND 39/BLU @ HOUR METER HAVE AC VOLTAGE WHEN THE MACHINE IS ON.
  - +12VDC VOLTAGE ON THE OUTPUT OF THE VOLTAGE CONVERTOR TELLS THE TELEMETRY MODULE THAT THE MACHINE IS RUNNING.

OPTIONAL:  
TELEMETRY ONLY

ELECTRICAL DIAGRAM, 230V

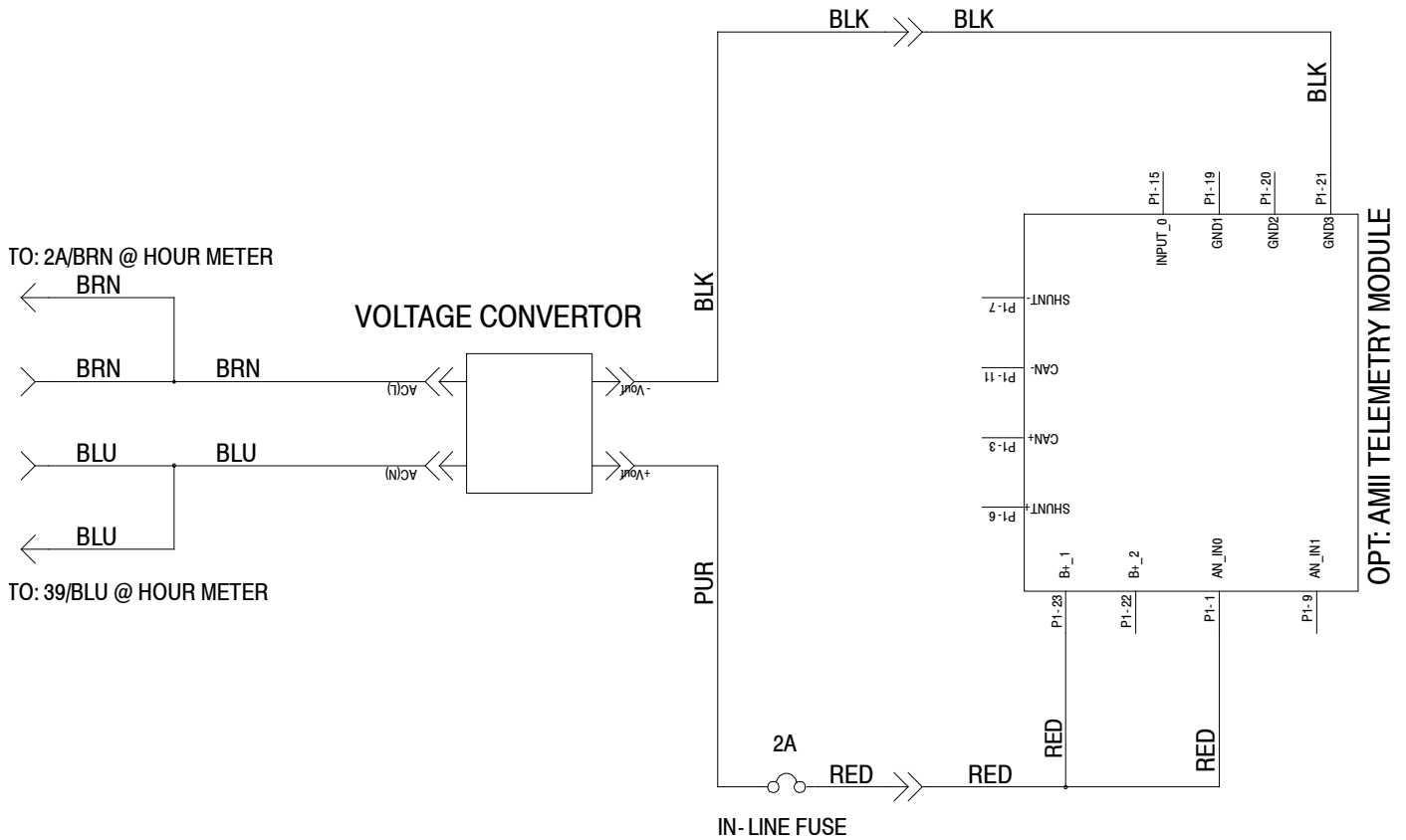
1046177



NOTES:  
ALL SWITCHES SHOWN IN THE OFF POSITION

ELECTRICAL DIAGRAM, 230V IRIS TELEMETRY OPTION

1046177\_E



- NOTES:
- 2A/BRN AND 39/BLU @ HOUR METER HAVE AC VOLTAGE WHEN THE MACHINE IS ON.
  - +12VDC VOLTAGE ON THE OUTPUT OF THE VOLTAGE CONVERTOR TELLS THE TELEMETRY MODULE THAT THE MACHINE IS RUNNING.

OPTIONAL:  
TELEMETRY ONLY

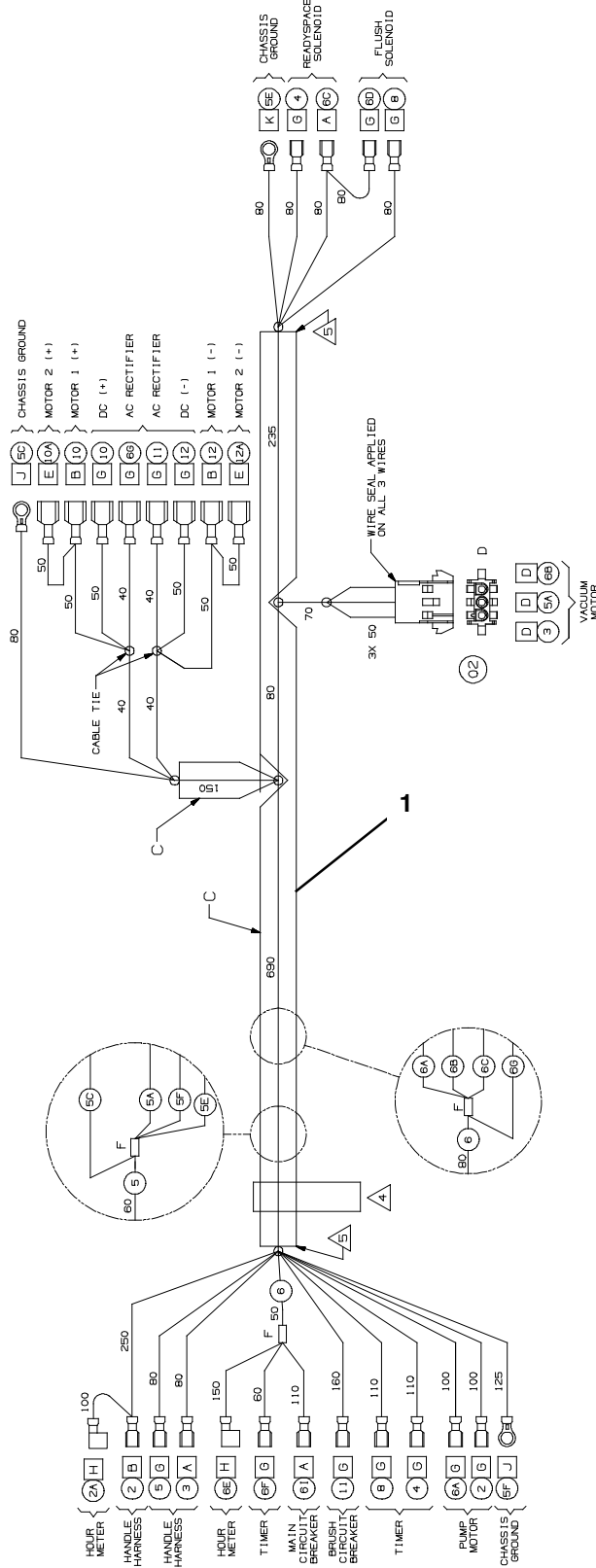
WIRE HARNESS, CHASSIS

355593

TERMINAL	TERMINAL TYPE & SIZE	MFR	MANUFACTURER'S PART NUMBER
A	.25" (18-14) FEMALE FULLY INSULATED TERMINAL	AMP	3-350920-2
B	.25" (14-18) FULLY INSULATED MALE TAB TERMINAL	AMP	3-521191-2
C	BLACK NYLON BRAIDING		
D	CONNECTOR BODY AMP 3 CIRCUIT WATE-N-K	AMP	WIRE SEAL P/N# 784272-1
E	.25" (18-22) FULLY INSULATED MALE TERMINAL	AMP	MALE TERMINAL P/N# 350887-1
F	ALTRALSOINC CRIMP AND COVER WITH HEATSHRINK.		2-520103-2
G	.25" (18-22) FEMALE FULLY INSULATED TERMINAL	AMP	2-520184-2
H	.25" (18-22) FEMALE FULLY INSULATED FLAG TERMINAL	AMP	2-520129-2
J	#8 UNINSULATED RING TERMINAL 16-22 AWG	AMP	34108
K	#10 UNINSULATED RING TERMINAL 16-22 AWG	AMP	34109

WIRE No.	AWG	COLOR
6C	18	BLUE
6D	18	BLUE
6E	18	BLUE
6F	18	BLUE
6G	18	BLUE
6H	18	BLUE
6I	14	BLUE
6J	14	BLUE
7		NOT USED
8	18	GRAY
9		NOT USED
10	18	RED
10A	18	RED
11	18	RED
11A		NOT USED
12	18	BLACK
12A	18	BLACK

WIRE No.	AWG	COLOR
1		NOT USED
1A		NOT USED
2	18	BROWN
2A	18	BROWN
2B		NOT USED
3	14	ORANGE
4	18	YELLOW
5	18	GREEN/YELLOW
5A	18	GREEN/YELLOW
5B		NOT USED
5C	18	GREEN/YELLOW
5E	18	GREEN/YELLOW
5F	18	GREEN/YELLOW
6	14	BLUE
6A	18	BLUE
6B	14	BLUE



Ref.	Part No.	Serial Number	Description	Qty.
1	1033926	(1000000- 2000000 )	Harness, Chassis, Ele [T- Rex Readyspace]	1



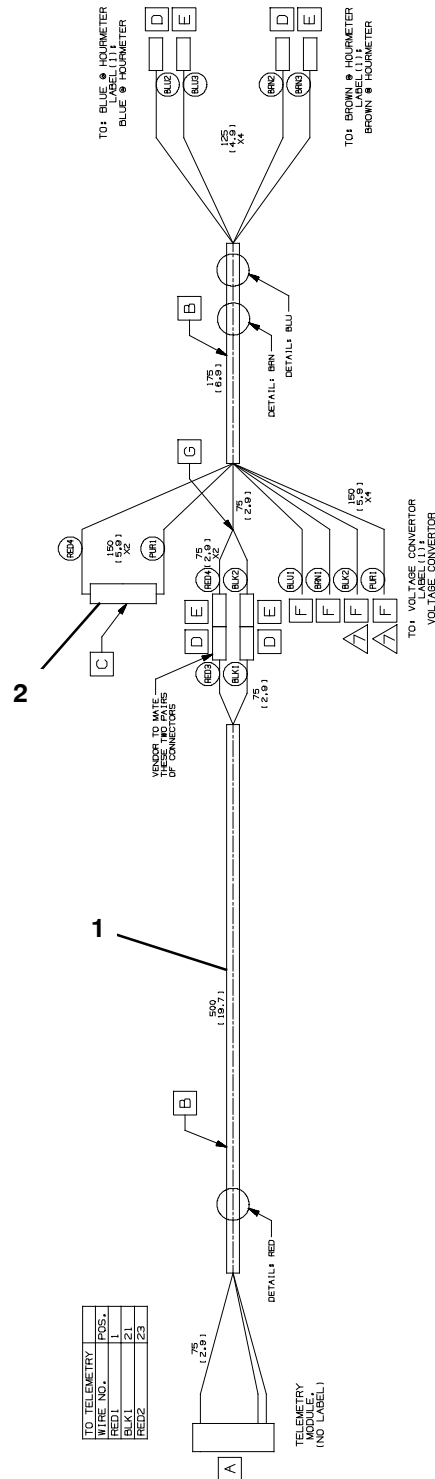
WIRE HARNESS, IRIS TELEMETRY

355592

ITEM	DESCRIPTION
A	CONNECTOR (1), AMPSEAL, FEMALE, .23", #770680-1, TERMINALS (3), FEMALE, 18-20GA, #770878-1, UNUSED POSITIONS ARE SEALED INTERNALLY, AND DO NOT REQUIRE SEAL PLUG
B	HARNESS COVERING (AS REQ.): NYLON, BLACK, SLOTTED FLEXIBLE CONVOLUTED TUBING, TUBING SIZED TO ENGAGE, DO NOT OVERSIZE, ALL INTERSECTIONS AND ENDS TO BE TAPED WITH BLACK ELECTRICAL TAPE. ALL TUBING TO BE TIGHTLY SECURED TO WIRE HARNESS WITH ELECTRICAL TAPE. ALL WIRE ENDS TO BE TIGHTLY SECURED TO HARNESS WITH ELECTRICAL TAPE.
C	BULGIN IN-LINE FUSEHOLDER, #470185, LOADED WITH 2-0AMP FUSE, BUSSMANN #ABC-2-R, OR EQUIVALENT. PRE-SOLDER TIN BOTH WIRES PRIOR TO ASSEMBLY.
D	TERMINAL, RECEPTACLE, .250", FASTON, UNINSULATED, 18-20GA, TYCO #41774 OR (TYCO #41274 OR TYCO #61375-1), FLUSH INS. HEATSHRINK, SEE NOTE #B.
E	TERMINAL, BLADE, .250", FASTON, UNINSULATED, 18-20GA, TYCO #41778 OR (TYCO #41411 OR TYCO #62553-3), COVER ENDS WITH ELECTRICAL TAPE.
F	NO TERMINAL OR CONNECTOR AT THIS LOCATION. STRIP WIRE INSULATION BACK .25", AND PRE-TIN THE WIRE WITH SOLDER.
G	WIRE TIE, PANDUIT, PLT1M-M OR EQUIVALENT.

WIRE NO	WIRE
BRN1	BRN
BRN2	BRN
BRN3	BRN
BLU1	BLU
BLU2	BLU
BLU3	BLU
RED1	RED
RED2	RED
RED3	RED
RED4	RED
BLK1	BLK
BLK2	BLK
PUR1	PUR

WIRE NO	WIRE
GA	GA
BRN1	BRN
BRN2	BRN
BRN3	BRN
BLU1	BLU
BLU2	BLU
BLU3	BLU
RED1	RED
RED2	RED
RED3	RED
RED4	RED
BLK1	BLK
BLK2	BLK
PUR1	PUR



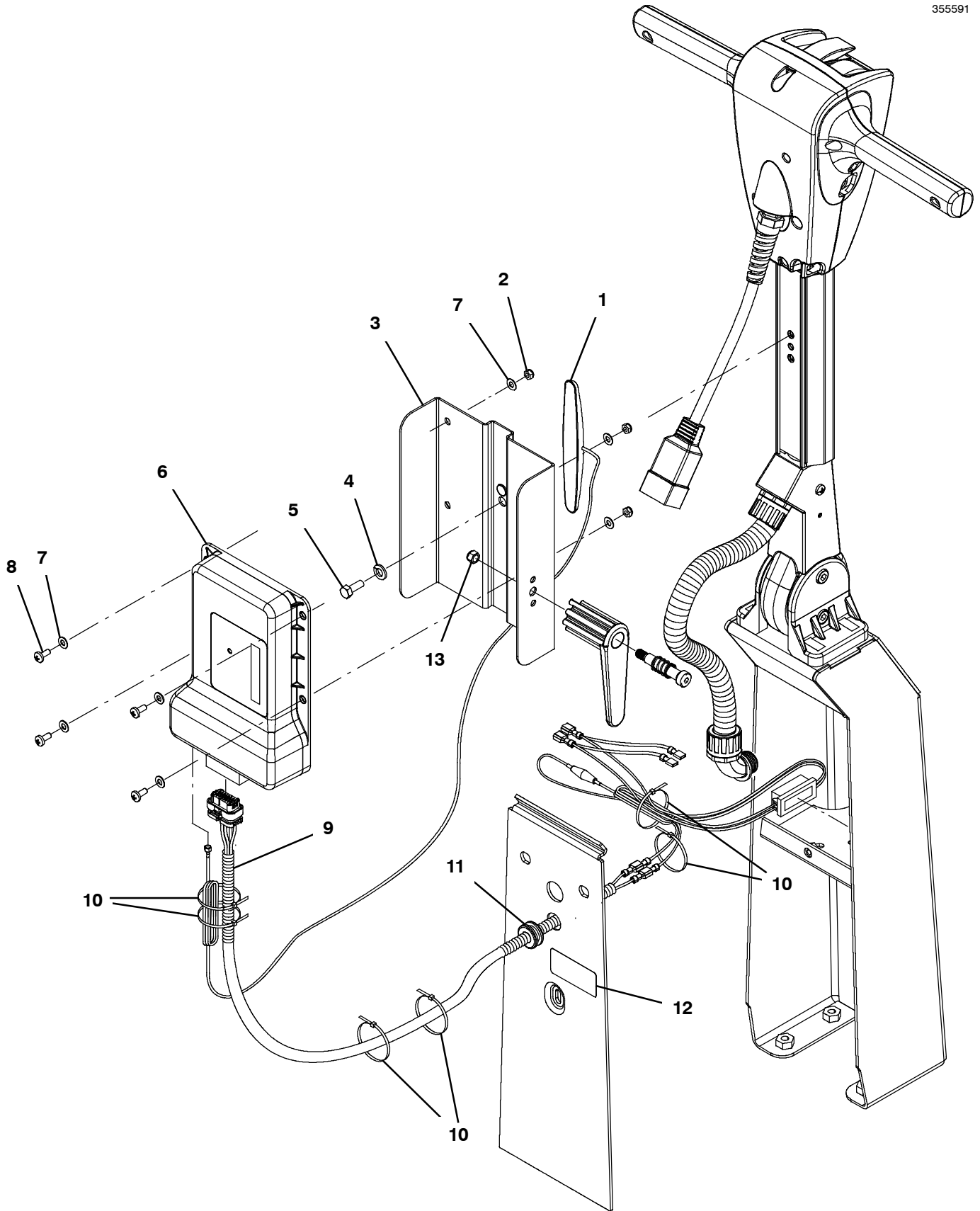
Ref.	Part No.	Serial Number	Description	Qty.
▽	1	1075892	(1000000-2000000) Cs, Harness, Ele [Telem, R3 / Strive]	1
▲	2	9009990	(1000000-2000000) Vr, Fuse, 002a, 250vdc, Cartridge	1

▽ ASSEMBLY

▲ INCLUDED IN ASSEMBLY

IRIS TELEMETRY GROUP

355591



IRIS TELEMETRY GROUP

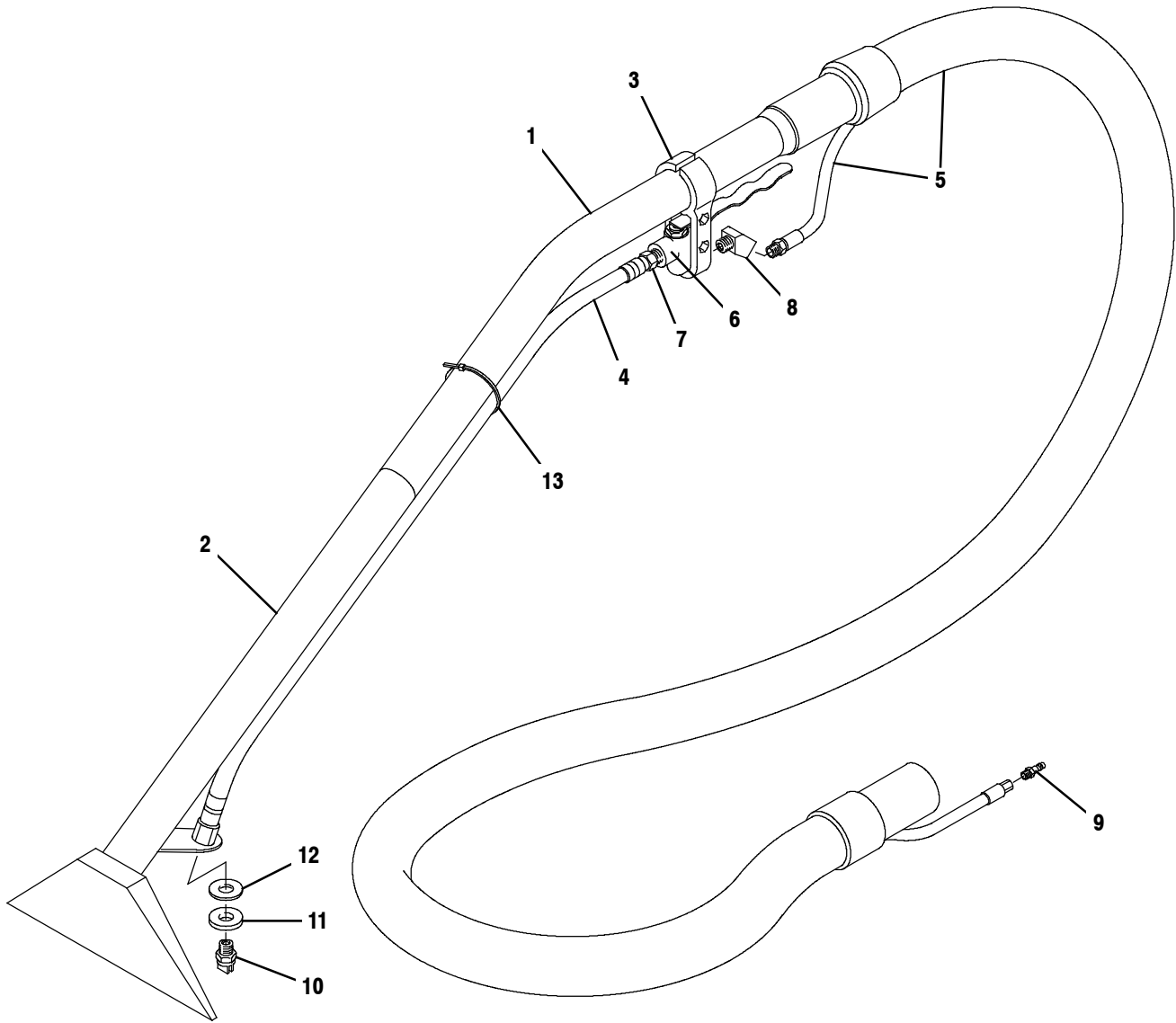
Ref.	Part No.	Serial Number	Description	Qty.	
1	1070659	(10000000- 20000000 )	Antenna, Telem, 70 In [Gprs]	1	
2	09739	(10000000- 20000000 )	Nut, Hex, Lock, M5 X 0.80, NI, Ss	4	
3	1233223	(10000000- 20000000 )	Cs, Plate Wldt, Mount [Iris, Trex]	1	
4	140015	(10000000- 20000000 )	Washer, Lock, Split, 0.31, Ss	1	
5	140226	(10000000- 20000000 )	Screw, Hex, .31- 18 X 0.62, Ss	1	
6	1069467	(10000000- 20000000 )	Controlbox Assy, Telem [Usa, 3g]	1	
7	140011	(10000000- 20000000 )	Washer, Flat, 0.21b 0.45d .03, Ss	8	
8	09200	(10000000- 20000000 )	Screw, Pan, Phl, M5 X 0.80 X 12, Ss	4	
▽	9	1075892	(10000000- 20000000 )	Cs, Harness, Ele [Telem, R3 / Strive]	1
▲		9009990	(10000000- 20000000 )	Vr, Fuse, 002a, 250vdc, Cartridge	1
10	130773	(10000000- 20000000 )	Tie, Cable, Nyl, 11.0l, .14w, 3.0 Max. D	6	
11	86726	(10000000- 20000000 )	Grommet, Rbr, 0.44id, F/0.5h, .19 Matl	1	
12	1069580	(10000000- 20000000 )	Label, Mach, Telem [Usa, Intl]	1	
13	140546	(10000000- 20000000 )	Nut, Hex, Lock, .31- 18, NI, Ss	1	

▽ ASSEMBLY

▲ INCLUDED IN ASSEMBLY

FLOOR TOOL GROUP, 8 in / 203 mm (NEW STYLE)

355116



**FLOOR TOOL GROUP, 8 in / 203 mm (NEW STYLE)**

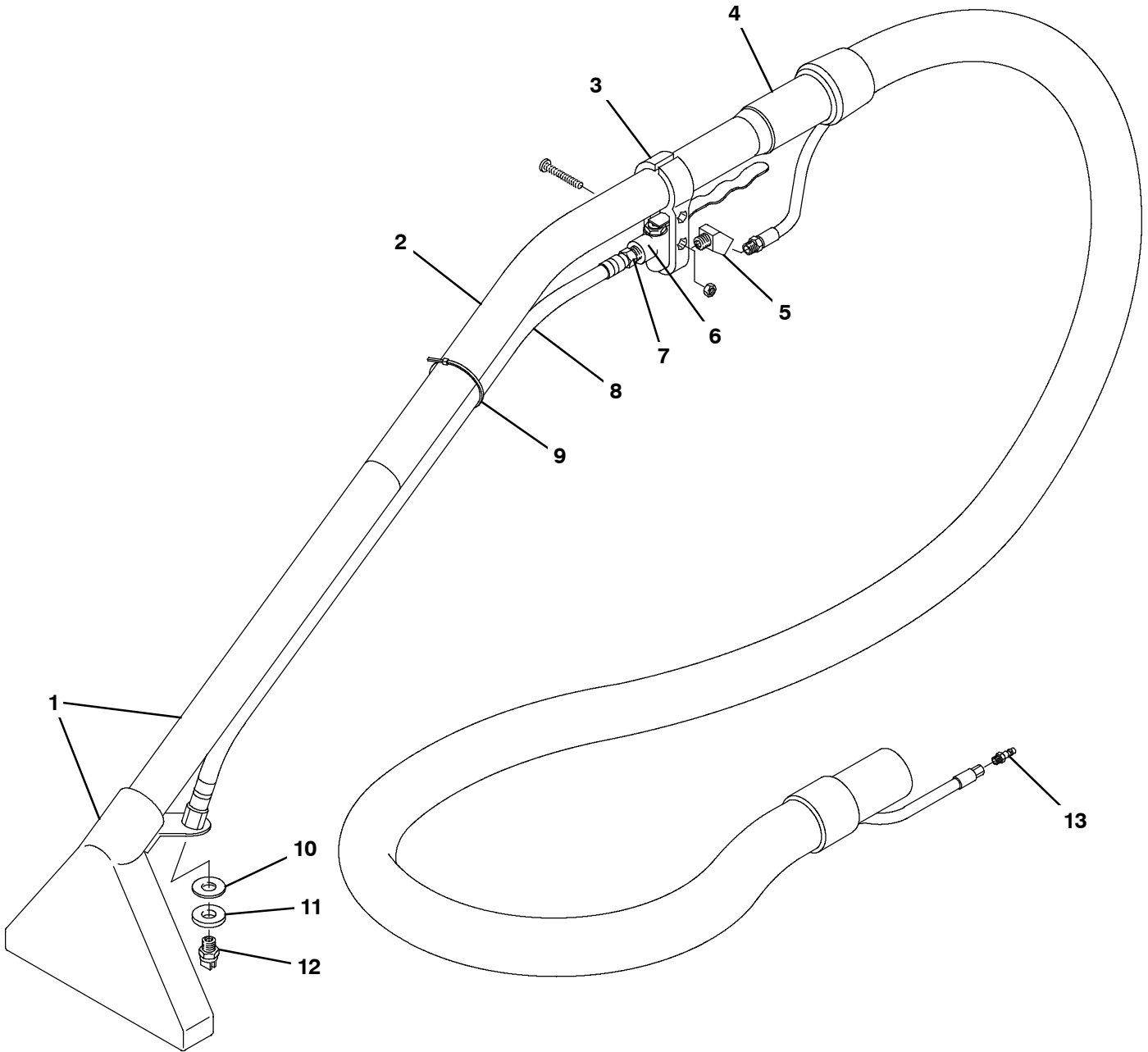
Ref.	Part No.	Serial Number	Description	Qty.
▽	1058735	(10000000- 20000000 )	Tool Assy, Floor, W/ Ss Head	1
▲	1 1058997	(10000000- 20000000 )	Wand, Tube, Upper, Fr/ 1058735, Replmt	1
▲	2 1058995	(10000000- 20000000 )	Wand Assy, Lower, Fr/ 1058735, Replmt	1
▲	3 605988	(10000000- 20000000 )	Vr, Bracket, Hanger, Valve	1
▲	4 1058998	(10000000- 20000000 )	Hose, Brd, 39.0l, Fr/ 1058735, Replmt	1
▲	5 1059131	(10000000- 20000000 )	Hose Assy, 10ft, F/1058735, Replmt	1
▲	6 578064000	(10000000- 20000000 )	Valve, Water, Flow Cntrl, W/Lever [Wand]	1
▲	7 150516	(10000000- 20000000 )	Fitting, Brs, Str, Bm06/Pm04	1
▲	8 150403	(10000000- 20000000 )	Fitting, Brs, E45, Pf04/Pm04 [Taped]	1
▲	9 150921	(10000000- 20000000 )	Fitting, Ss, Qdc, Pm02 [Ser 5]	1
▲	10 1059002	(10000000- 20000000 )	Fitting, Jet, Vee, .25npt, Brs	1
▲	11 1058999	(10000000- 20000000 )	Washer, Flat, Abs, F/ 1058735, Replmt	1
▲	12 140058	(10000000- 20000000 )	Washer, Flat, 0.54b 0.88d .06, Ss [Wand]	1
▲	13 130041	(10000000- 20000000 )	Tie, Cable, Nyl, 11.5l .19w	1
	N/S 220040	(10000000- 20000000 )	Bag, Hose, Accssry, 24x36[W/Draw String] (Optional)	1

▽ ASSEMBLY

▲ INCLUDED IN ASSEMBLY

FLOOR TOOL GROUP, 8 in / 203 mm (OLD STYLE)

355078



**FLOOR TOOL GROUP, 8 in / 203 mm (OLD STYLE)**

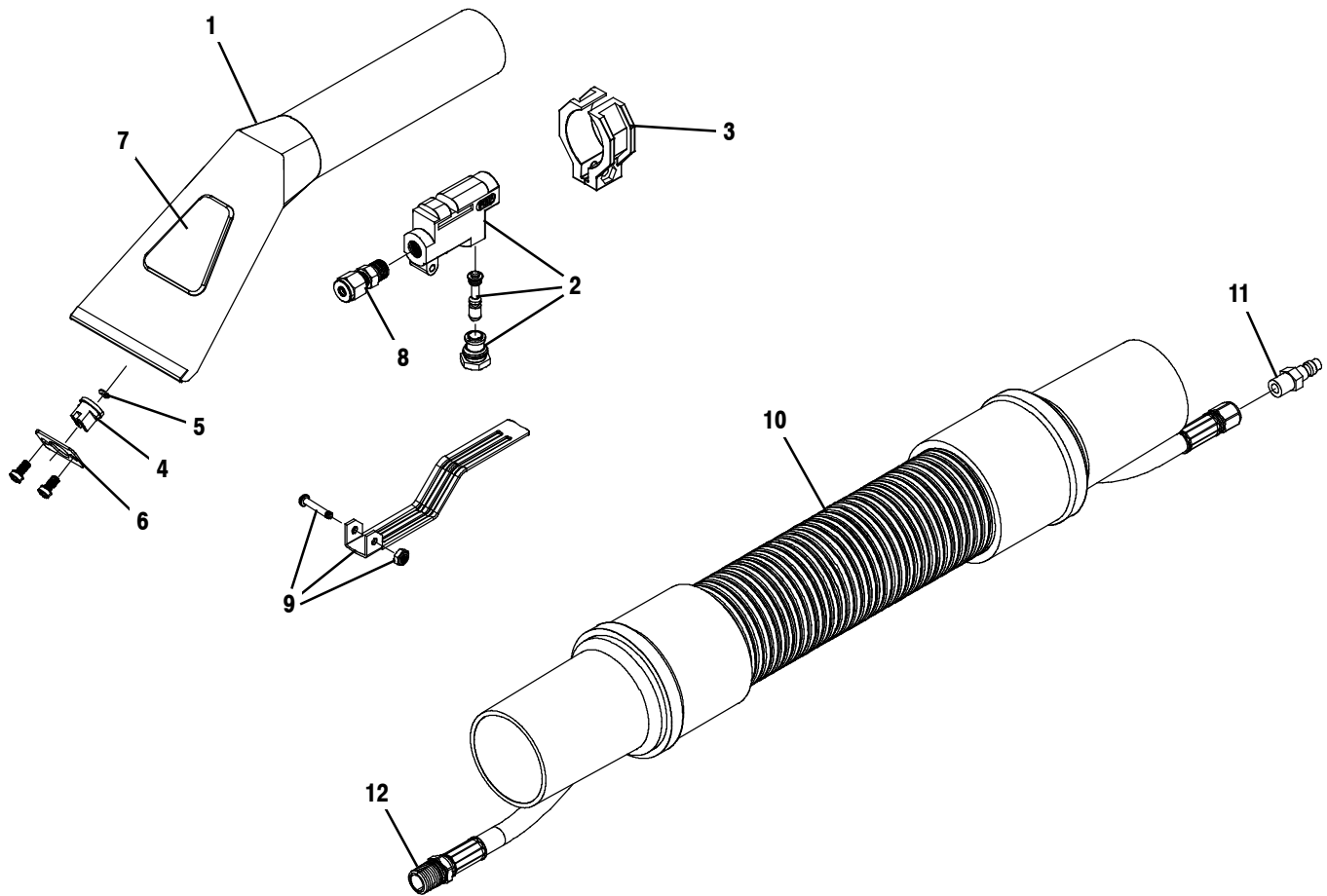
<b>Ref.</b>	<b>Part No.</b>	<b>Serial Number</b>	<b>Description</b>	<b>Qty.</b>
▽	605976	(10000000- 20000000 )	Tool, Pickup, Floor, 8.0w, Complt (Rpld By P/N 1058735)	1
▲	1 605977	(10000000- 20000000 )	Head Assy, W/ Lower Tube, 8.0inch (Rpld By P/N 1058995)	1
▲	2 200467	(10000000- 20000000 )	Wand [Upper Section Only] (Rpld By P/N 1058997)	1
▲	3 605988	(10000000- 20000000 )	Vr, Bracket, Hanger, Valve	1
▲	4 603546	(10000000- 20000000 )	Hose Assy, 1.25 X 10ft [Hide- A- Hose] (Rpld By P/N 1059131)	1
▲	5 150403	(10000000- 20000000 )	Fitting, Brs, E45, Pf04/Pm04 [Taped]	1
▲	6 578064000	(10000000- 20000000 )	Valve, Cntrl, Water	1
▲	7 150516	(10000000- 20000000 )	Fitting, Brs, Str, Bm06/Pm05	1
▲	8 605991	(10000000- 20000000 )	Hose Assy, 0.25d [Whip] (Rpld By P/N 1058998)	1
▲	9 130041	(10000000- 20000000 )	Tie, Cable, Nyl, 11.5l .19w	1
▲	10 140058	(10000000- 20000000 )	Washer, Flat, 0.54b 0.88d .06, Ss [Wand]	1
▲	11 605990	(10000000- 20000000 )	Washer, Flat, .53 X 1.1 X .19, Abs	1
▲	12 605989	(10000000- 20000000 )	Plstc Vee Jet 8002	1
▲	13 150921	(10000000- 20000000 )	Fitting, Ss, Qdc, Pm02 [Ser 5]	1
	N/S 220040	(10000000- 20000000 )	Bag, Hose, Accssry, 24x36[W/Draw String] (Optional)	1

▽ ASSEMBLY

▲ INCLUDED IN ASSEMBLY

HAND TOOL GROUP, 4 in / 101 mm (NEW STYLE)

355117



Ref.	Part No.	Serial Number	Description	Qty.
	1058747	(10000000-20000000 )	Tool Assy, Hand, W/ Ss Head & Plstc Wndw	1
▽	1	1059230	(10000000-20000000 ) Tool Assy, W/Trigger F/1058747, Replmt	1
▲	1	1059003	(10000000-20000000 ) Tool, W/ Wndw, Ss, F/1058747, Replmt	1
▲	2	611807	(10000000-20000000 ) Valve, Tool, Hand [Pmf]	1
▲	3	611812	(10000000-20000000 ) Valve, Hanger [Pmf]	1
▲	4	1059006	(10000000-20000000 ) Fitting, Jet, Tee, Plstc, Fr/ 1058747	1
▲	5	1059005	(10000000-20000000 ) Seal, Org, Fr/ 1058747, Replmt	1
▲	6	611815	(10000000-20000000 ) Retainer, Plate [Pmf]	1
▲	7	1059004	(10000000-20000000 ) Tool, Wndw, Plstc, Fr/ 1058747	1
▲	8	611817	(10000000-20000000 ) Ferrule, Pm02/.18tube	1
▲	9	611818	(10000000-20000000 ) Trigger, Handle Pmf	1
▽	10	1059130	(10000000-20000000 ) Hose Assy, 10ft, F/1058747, Replmt	1
▲	11	150921	(10000000-20000000 ) Fitting, Ss, Qdc, Pm02 [Ser 5]	1
▲	12	150521	(10000000-20000000 ) Fitting, Brs, Str, Bm02/Pf02	1
	N/S	220040	(10000000-20000000 ) Bag, Hose, Accssry, 24x36[W/Draw String] (Optional)	1

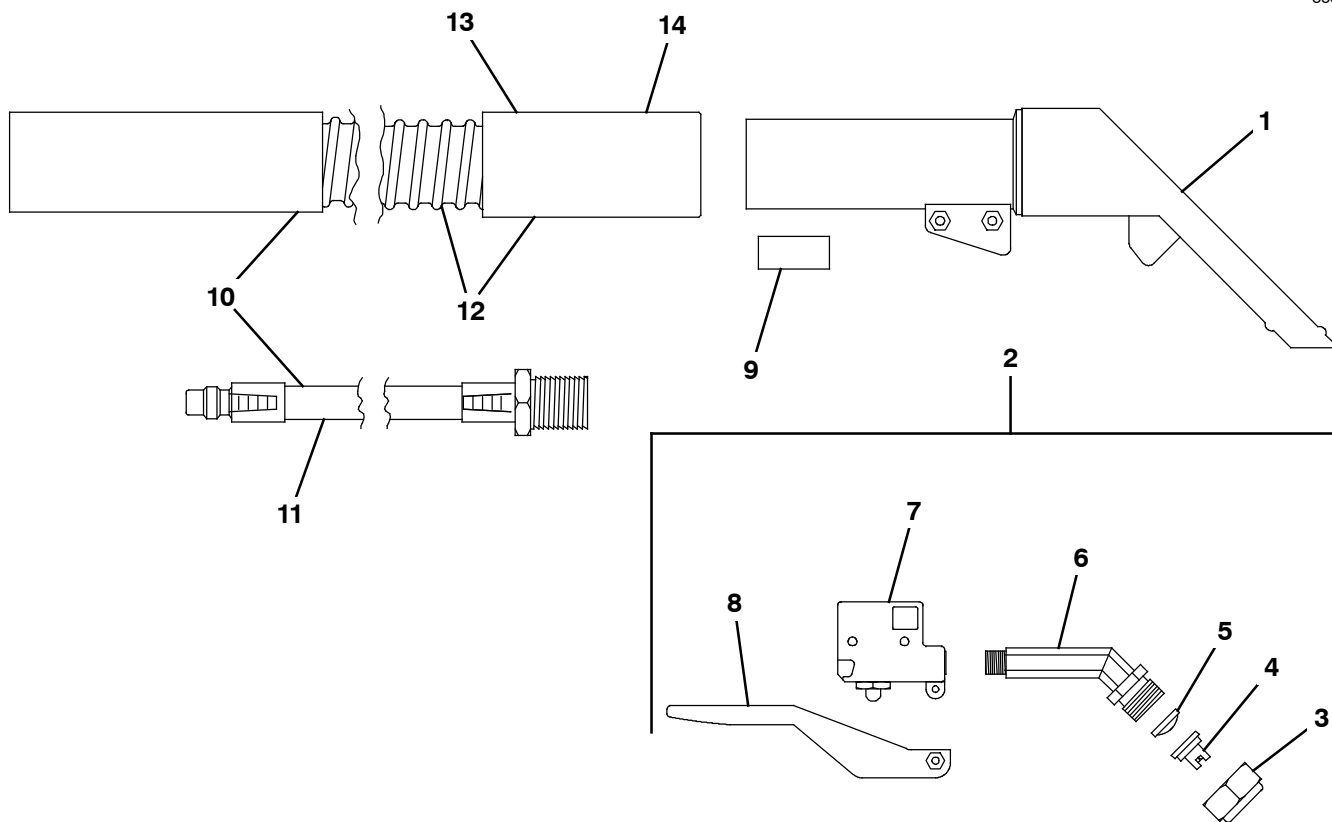
▽ ASSEMBLY

▲ INCLUDED IN ASSEMBLY



HAND TOOL GROUP, 4 in / 101 mm (OLD STYLE)

355079

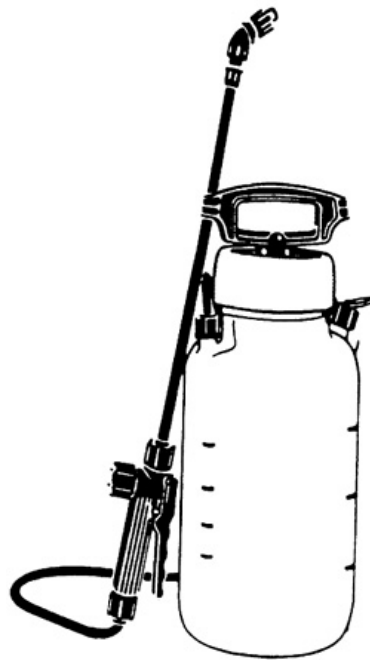


Ref.	Part No.	Serial Number	Description	Qty.
	613396	(10000000- 20000000 )	Tool Assy, Hand, 4.0w, 1.25d Hose[Ser 5] (Rpld By P/N 1058747)	1
▽	1	608901	(10000000- 20000000 ) Tool, Hand, W/ Trigger Assy (Rpld By P/N 1058747)	1
▲	1	608891	(10000000- 20000000 ) Tool, Hand, W/O Trigger Assy (Rpld By P/N 1058747)	1
▲▽	2	608899	(10000000- 20000000 ) Trigger, Hand Tool, Assy (Rpld By P/N 1058747)	1
▲▲	3	608897	(10000000- 20000000 ) Vr, Nut, Plstc, Spray Tip	1
▲▲	4	608896	(10000000- 20000000 ) Fitting, Spray, Tip 11003 Blue	1
▲▲	5	608900	(10000000- 20000000 ) Screen, Tool, Hand	1
▲▲	6	608895	(10000000- 20000000 ) Fitting, Nozzle, Spray	1
▲▲	7	608894	(10000000- 20000000 ) Fitting, Valve Body, Hand Tool	1
▲▲	8	608898	(10000000- 20000000 ) Trigger, Hand Tool	1
	9	608892	(10000000- 20000000 ) Seal, Hose, Soltn	1
▽	10	613395	(10000000- 20000000 ) Hose, Vacuum, 1.25id X 104.0l, 2cuff (Rpld By P/N 1058747)	1
▲	11	608893	(10000000- 20000000 ) Hose, Soltn, Hand Tool (Rpld By P/N 1058747)	1
▲▽	12	613394	(10000000- 20000000 ) Hose, Vacuum, 1.25id X 104.0l, 1cuff,Blk (Rpld By P/N 1059130)	1
▲▲	13	613393	(10000000- 20000000 ) Hose, Vacuum, 1.25id X 088.0l [I- Helix] (Rpld By P/N 1059130)	1
▲▲	14	609440	(10000000- 20000000 ) Cuff, Hose, 1.5slip X 1.25thd Blk (Rpld By P/N 1059130)	1
	N/S	220040	(10000000- 20000000 ) Bag, Hose, Accssry, 24x36[W/Draw String] (Optional)	1

▽ ASSEMBLY

▲ INCLUDED IN ASSEMBLY

**PUMP-UP CARPET SPRAYER**



---

<b>Ref.</b>	<b>Part No.</b>	<b>Serial Number</b>	<b>Description</b>	<b>Qty.</b>
	605848	(10000000- 20000000 )	Sprayer 2gal Pumpup Hd	1

---

**DOCUMENTATION GROUP**

<b>Ref.</b>	<b>Part No.</b>	<b>Serial Number</b>	<b>Description</b>	<b>Qty.</b>
9006287		(10000000- 20000000 )	Manual, Parts [R3, En - Na]	1
9003732		(10000000- 20000000 )	Manual, Oprtr [R3, En/Es/Fr/Jp]	1
9004226		(10000000- 20000000 )	Instr, Use&Care, Wallchart [R3]	1



To view, print, order, download the latest Parts manual, other language Operator manuals, and Use and Care Guides (wall charts), visit:

[www.tennantco.com/manual](http://www.tennantco.com/manual)