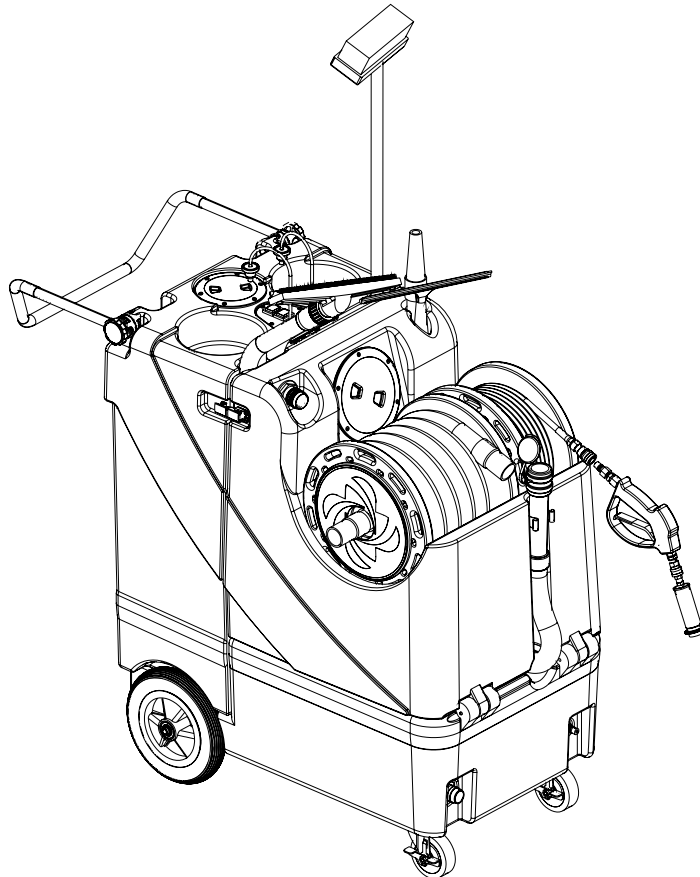
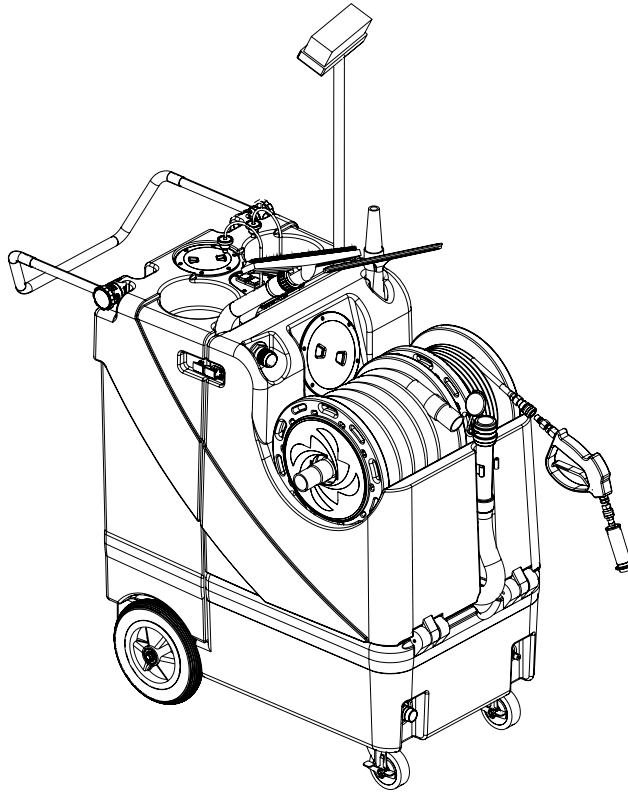


Reel Cleaner™



PARTS LIST Advance MODEL 56108050

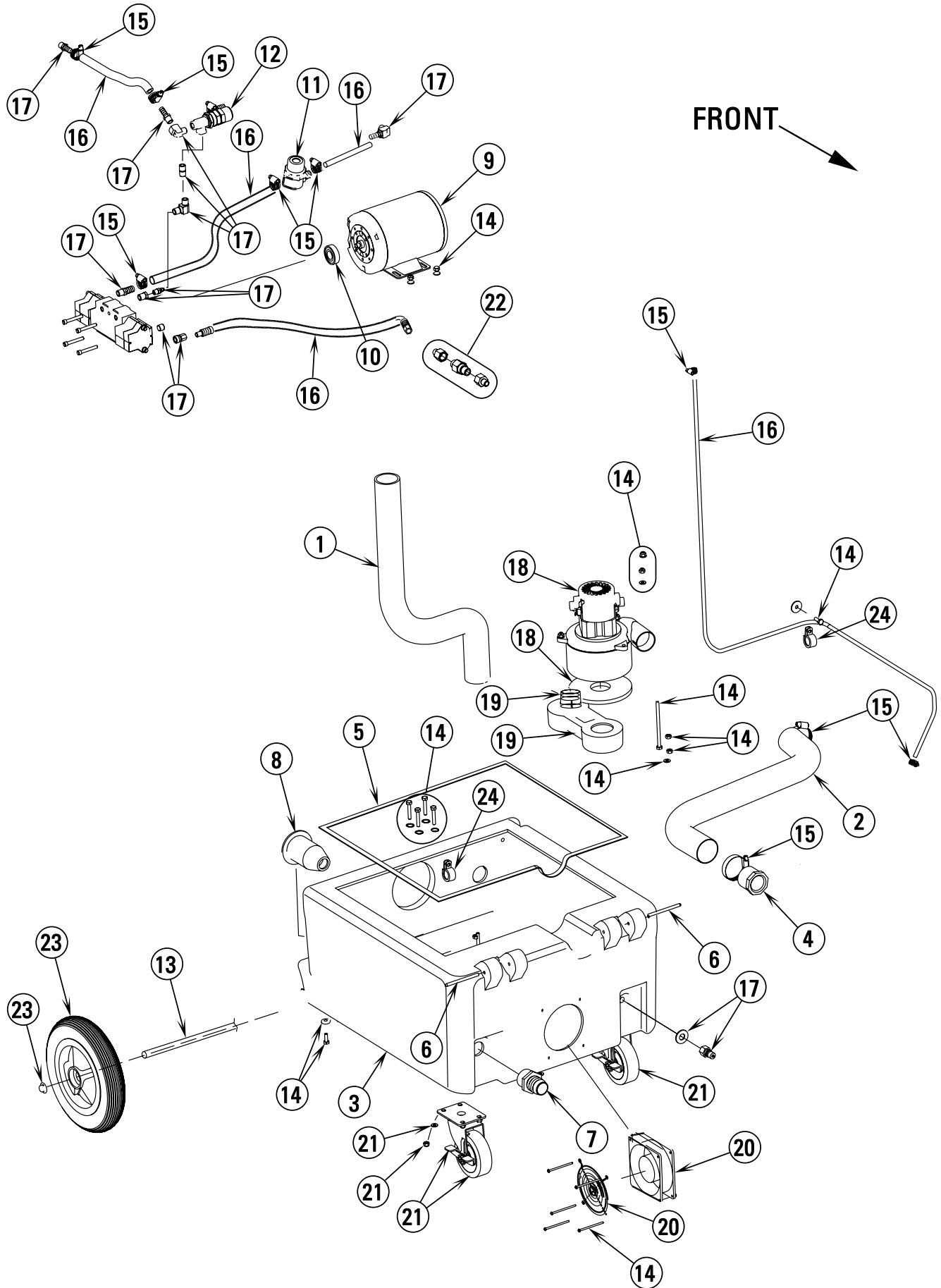


<u>DESCRIPTION</u>	<u>PAGE</u>
Base Assembly	2-3
Recovery Tank	4-5
Solution Tank	6-7
Tools / Accessories	8-9
Wiring Diagram	9

WHEN ORDERING PARTS

- * Use the 8 digit numbers from the "Ref. No." columns in this parts list.
- * Specify the model and serial number of the machine.
- * Use the space below to record the model and serial number for future reference.

Model _____ Serial No. _____



03-4

BASE ASSEMBLY

04-5

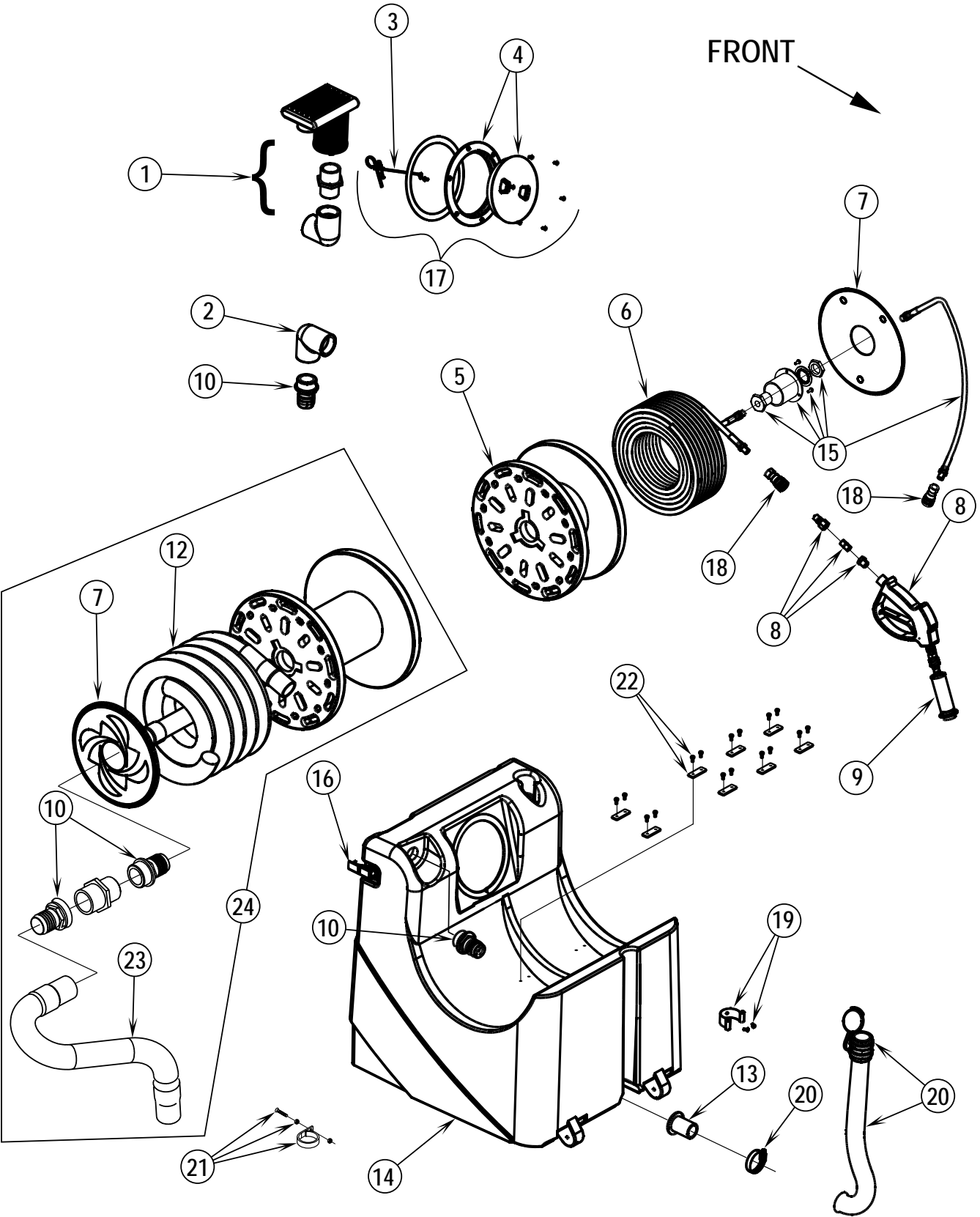
Reel Cleaner™

3

Item	Ref. No.	Qty	Description	Item	Ref. No.	Qty	Description
1	56108032	1	Hose Vacuum, 38" with Cuffs	18	56108031	1	Vacuum Motor Kit (kit includes)
2	56108033	1	Hose Vacuum, 2" x 24"		NA	1	Vacuum Motor, 3 Stage
3	56108034	1	Base		NA	1	Gasket, Vacuum
4	56108035	1	PVC Adapter	*	56260950	1	Replacement Carbon Brushes for Vacuum Motor (set of 2)
5	56108036	1	Gasket, 1/4" x 1/2" x 7'	19	56108095	1	Vacuum Manifold Kit (kit includes)
6	56108037	2	Hinge Pin		NA	1	Manifold, Vacuum
7	56108038	1	Hose Barb		NA	1	Boss, 1-1/2" Spin Weld
8	56108039	1	Receptacle, Power Cord	20	56108096	1	Fan Kit (kit includes)
9	56108040	1	Motor, Pump, 120V		NA	1	Fan, 100 CFM, 120V
10	56108041	1	Cam / Bearing Assy		NA	1	Guard, Fan
11	56108042	1	In-Line Filter	21	56108097	1	Caster Kit (kit includes)
12	56108043	1	Valve, Pressure Regulator, 600 PSI		NA	1	Caster, 4"
13	56108044	1	Axle Rod, 22-13/16"		NA	4	Washer, Flat, 3/16
14	56108046	1	Base Hardware Kit (kit includes)		NA	4	Lock Nut
	NA	3	Bolt, 1/4-20 x 5"		NA	1	Brake, Caster
	NA	3	Washer, Split Lock, 1/4	22	56108098	1	Injector Kit (kit includes)
	NA	16	Bolt 1/4-20 x 3/4"		NA	1	Injector, Chemical
	NA	4	Screw, 6-32 x 2"		NA	2	Reducer, Brass, 3/8 P.T.
	NA	22	Lock Nut	23	56108099	1	Wheel Kit (kit includes)
	NA	3	Nut, Finish, 1/4-20		NA	1	Wheel, 10"
	NA	28	Washer, Flat		NA	1	Axle Cap
	NA	1	Washer, Flat	24	56108045	2	Clamp, Wire
15	56108047	1	Clamp Kit (kit includes)	*	56108092	2	Decal, Advance Reel Cleaner
	NA	2	Hose Clamp	**	56108090	1	Pump Rebuild Kit, Valves & Rings
	NA	3	Hose Clamp	**	56108091	1	Pump Rebuild Kit, Plunger & Seals
	NA	6	Hose Clamp	**	56108089	1	Pump Complete with Brass (kit includes #10, 12 & items below)
16	56108048	1	Hose Kit (kit includes)		NA	1	Pump, No Brass 300 PSI
	NA	1	Hose, Solution 1/4" I.D. x 61"		NA	1	Plug, Brass 1/4 NPT
	NA	1	Hose, Outlet, 1/4" x 49"		NA	1	Quick Disconnect, Male 1/8 NPT
	NA	1	Hose, Inlet, 1/2" x 9"		NA	1	Bushing, Brass 1/4 NPT Male
	NA	1	Hose, 3/8" x 20"		NA	1	Hose Barb 1/4 Pipe x 1/2
	NA	1	Hose, Inlet, 1/2" x 15"		NA	2	Elbow, Brass 90° 1/4 M
17	56108049	1	Quick Disconnect Kit (kit includes)		NA	1	Nipple, SS 1/4 NPT
	NA	2	Washer, Brass		NA	2	Hose Barb, Brass Male 1/4
	NA	1	Quick Disconnect, Male, 1/4 NPT		NA	1	
	NA	2	Hose Barb / Elbow, Nylon		NA	2	
	NA	1	Quick Disconnect, Female, 1/8 NPT				
	NA	1	Plug, Brass, 1/4 NPT				
	NA	1	Quick Disconnect, Male, 1/8 NPT				
	NA	1	Bushing, Brass, 1/4 NPT				
	NA	1	Hose Barb, 1/4 Pipe x 1/2				
	NA	2	Elbow Brass, 90 Degree, 1/4 M				
	NA	1	Nipple SS, 1/4 NPT				
	NA	2	Hose Barb, Brass				
	NA	1	Hose Barb, Nylon				

* = Not Shown

** = Optional



03-4	RECOVERY TANK			
06-5	Reel Cleaner™			5

Item	Ref. No.	Qty	Description
1	56108052	1	Vacuum Manifold Assembly
2	56108053	1	PVC Elbow
3	56108054	1	Chain, 8"
4	56108055	1	Lid, 6" with Clear Center, and Ring
5	56108056	1	Reel, Solution Hose (includes Hub Cap & Flanges)
6	56108057	1	Hose, Solution, 1/4" x 50' for replacement on machines before SN 1689362 order Kit 56108010
7	56108058	2	Hub Cap
8	56108072	1	Spray Gun, Complete
9	56108060	1	Spray Tip, Variable
10	56108061	4	Hose Barb
12	56108102	1	Hose, Vacuum, w/Cuffs, 1.6" x 35' (5:1)
13	56108064	1	Boss, Spin Weld, 1-1/2"
14	56108065	1	Recovery Tank
15	56108015	1	Swivel Hose Kit (kit includes)
	NA	1	Bulkhead Fitting, 1/4 Male & Female NPT
	NA	3	Screw, Hi-Low #8 x 1/2
	NA	1	Swivel Cup, Flanged
	NA	1	Hose, Solution 1/4 I.D. x 40"
	NA	1	Quick Disconnect Female, 1/4 NPT
	NA	1	Tubing, Black 3/4" I.D. x 1" O.D. x 4" Lg.
16	56108074	2	Latch, Rubber, Black, with Strike Note #1
17	56108068	1	Recovery Lid Kit (kit includes items #3, #4 & below)
	NA	1	Chain, 8" (item #3)
	NA	1	Gasket
	NA	1	Lid, 6" with Clear Center, and Ring (item #4)
	NA	6	Screw, Lid Ring, 8-32 x 7/8"
18	56108014	2	Quick Disconnect, Female 1/4 NPT
19	56108070	1	Recovery Hose Clamp Kit (kit includes)
	NA	1	Hose Clamp, Plastic
	NA	2	Screw, Tapping #8 x 5/8"
20	56108071	1	Dump Hose Kit (kit includes)
	NA	1	Hose Clamp 2 1/4"
	NA	1	Cap, Dump Hose 1 1/2"
	NA	1	Hose, Dump 1-1/2" x 24"
21	56108013	1	Recovery Hose Clamp Kit
	NA	1	Screw, 8-32 x 7/8", SS
	NA	2	Lock nut, 8-32, SS
	NA	1	Clamp, Self closing, 1-1/2"
**	56108073	1	Solution Hose, Complete
*	56108093	1	Warning Label
22	56108009	1	Glide Kit, Teflon (kit includes)
	NA	8	Glide, 1/2" Wide
	NA	16	Screws #6 x 1/4 Panhead
**	56108010	1	Solution Hose with Swivel Kit (kit includes #6 and items below)
	NA	1	Bulkhead Fitting, 1/4 Male & Female NPT
	NA	1	Swivel Cup, Flange
	NA	1	Hose, Solution 1/4 ID x 40" 2750 PSI @ 212° F (black)
	NA	1	Tubing, Black 3/4" ID x 1" OD x 4" LG
23	56108005	1	Hose, Vacuum W/Cuffs 1-1/2" x 21"
24	56108007	1	Recovery Hose & Reel Kit (kit includes #7, 12, 23 and items below) NOTE #2
	NA	2	Hose Barb Fitting, Plastic
	NA	1	Coupling, 1-1/2 x 1-1/2FPT, PVC
	NA	1	Reel, Vacuum Hose

* = Not Shown

** = Optional

Note #1: The latch is shown in this assembly drawing, the strike is shown in "Solution Tank" drawing.

Note #2: The Recovery Hose & Reel Kit is used as of serial number 1776131 but can be used on prior models.

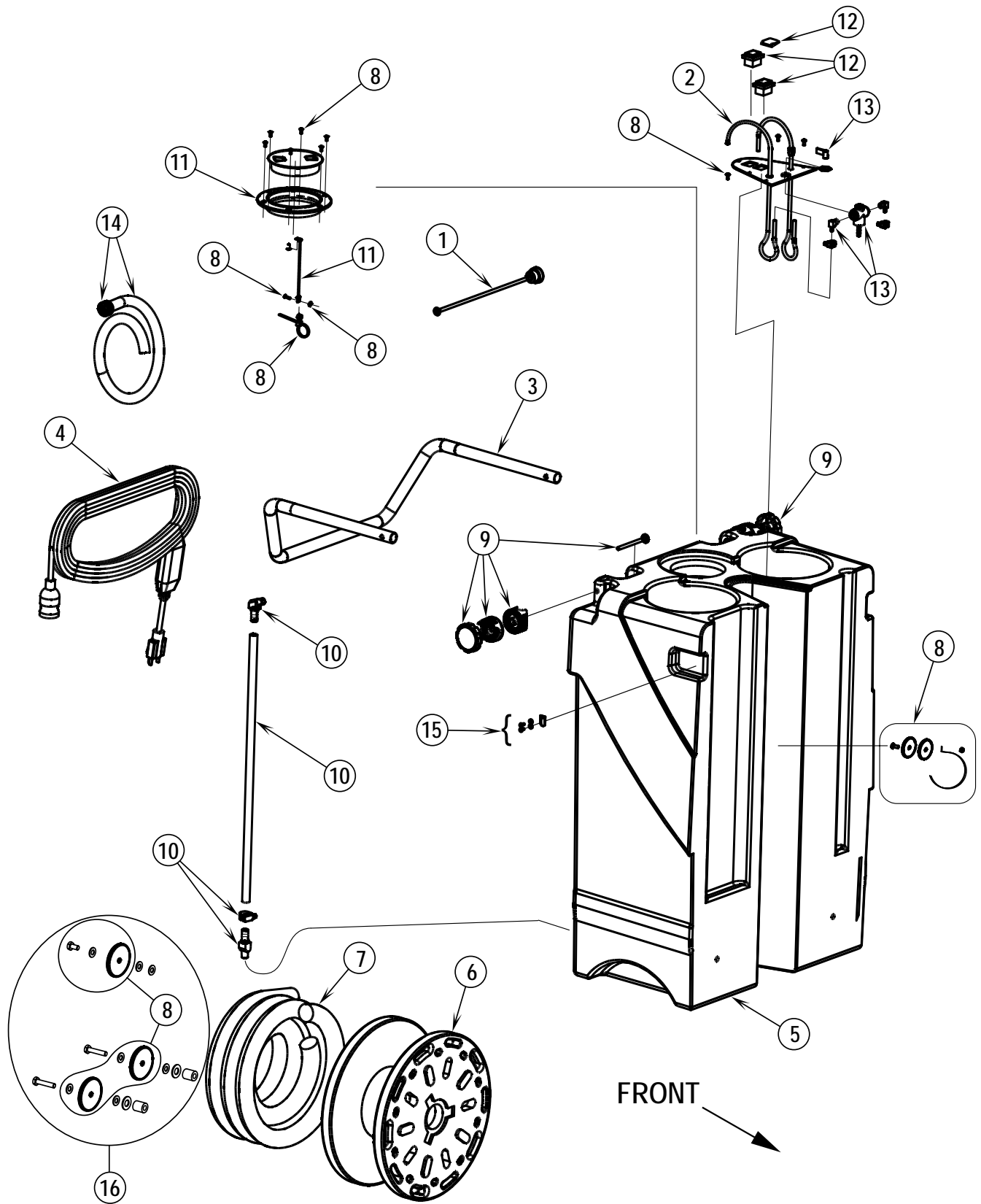
SOLUTION TANK

03-4

6

Reel Cleaner™

04-9



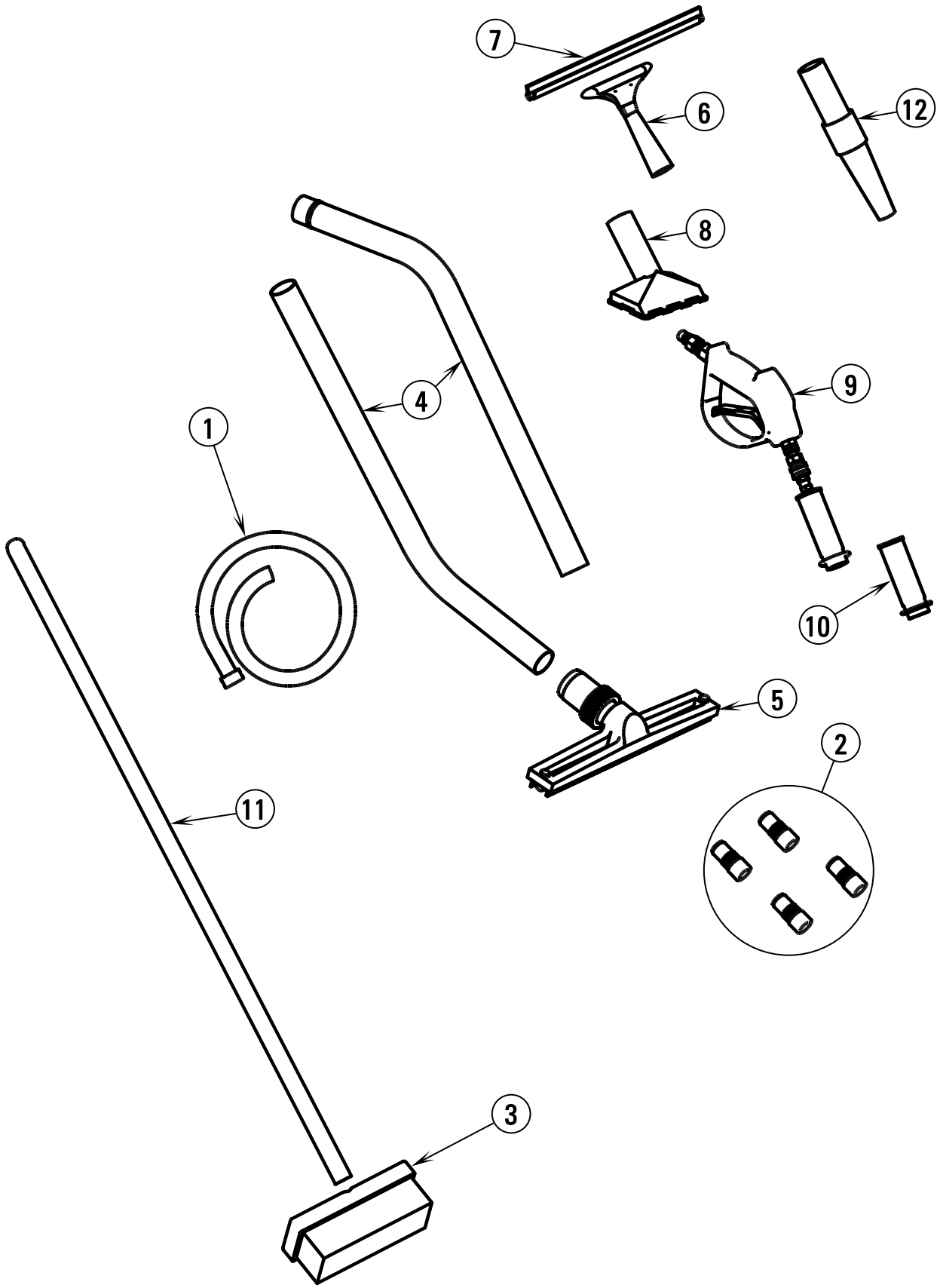
03-4	SOLUTION TANK			
04-9	Reel Cleaner™			7

Item	Ref. No.	Qty	Description
1	56108075	2	Cap & Tubing Chemical Feed
2	56108076	2	Hose, 1/4" I.D. x 30"
3	56108077	1	Handle, Pivoting
4	56108078	1	Power Cord w/GFI, 12/3 x 50'
5	56108079	1	Tank, Light Gray
6	56108080	1	Reel, Blower
7	56108081	1	Hose, Vacuum, 1-1/4" x 13'
8	56108082	1	Solution Tank Hardware Kit (kit includes)
	NA	1	Washer, Flat, Rubber, 1/4" I.D. x 3/4" O.D.
	NA	1	Washer, Flat, 1/4" I.D. x 1" O.D.
	NA	1	Lock Nut
	NA	6	Screw, Lid Ring 8-32 x 7/8"
	NA	1	Clamp, SS, Insulated
	NA	1	Screw, 10-32 x 5/8"
	NA	1	Wire Tie
	NA	5	Screw, #4 x 3/8
	NA	3	Retainer, Reel
	NA	3	Washer, Flat
	NA	3	Bolt, 1/4-20 x 3/4"
9	56108083	1	Handle Knob Kit (kit includes)
	NA	2	Bolt, Carriage, 5/16-18 x 3-1/2"
	NA	2	Locking Mechanism, Tank
	NA	2	Locking Mechanism, Handle
	NA	2	Knob, Handle Lock
10	56108084	1	Solution Hose Kit (kit includes)
	NA	1	Hose Barb, Nylon Straight 1/2" NPT
	NA	1	Hose Barb / Elbow, 90 Degrees, Nylon, 1/2" Barb
	NA	1	Hose, 1/2 I.D. x 3/4 O.D. x 24.5"
	NA	1	Hose Clamp 3/8" - 7/8"
11	56108085	1	Solution Lid Kit (kit includes)
	NA	1	Lid, 4" with Clear Center, and Ring
	NA	1	Chain, 8"
12	56108086	1	Switch Kit (kit includes)
	NA	2	Switch, 120V
	NA	2	Splash Guard, Switch Cover
13	56108087	1	Solution Valve Kit (kit includes)
	NA	1	Valve, with Position Knob
	NA	2	Elbow / Hose Barb, Brass
14	56108088	1	Hose Fill Kit (kit includes)
	NA	1	Hose, Fill White 1/2 I.D. x 3/4 O.D. x 5 ft.
	NA	1	Adapter, Faucet
15	56108074	2	Latch, Rubber, Black, with Strike Note 1
16	56108008	1	Blower Hose Reel Tab Kit (kit includes)
	NA	3	Retainer, Reel
	NA	3	Washer, Flat 3/16
	NA	1	Bolt, 1/4-20 x 3/4"
	NA	2	Bolt, 1/4-20 x 1-3/4"
	NA	4	Washer, Nylon Black, 1/4" ID
	NA	2	Retainer Spacer, 3/4" OD x .035W x 1" LG
	NA	2	Washer, Flat 1/4" ID x 1" OD
	NA	1	Instruction Sheet for retainer

* = Not Shown

** = Optional

Note 1: The strike is shown in this assembly drawing, the latch is shown in "Recovery Tank" drawing.

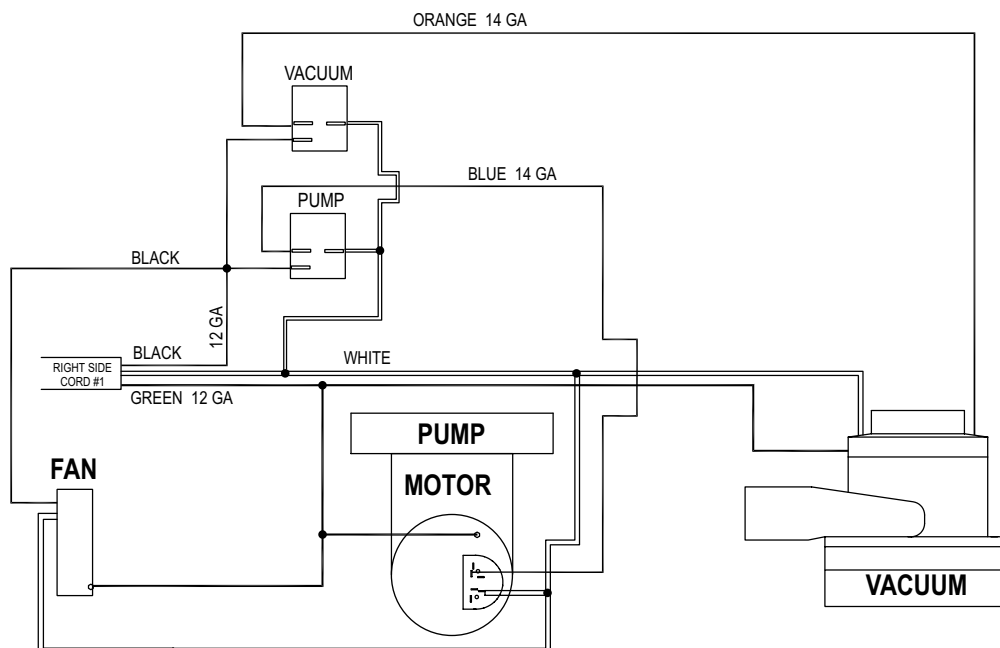


Item	Ref. No.	Qty	Description
1	56108024	1	Priming Hose, 3/8" I.D. x 4.5' long with Quick Disconnect
2	56108030	1	Metering Tip Kit (4 pieces) Table 1 below
3	56108026	1	Brush, Scrub
4	56108027	1	Wand, 2 pieces, Aluminum
5	56108028	1	Floor Squeegee Tool, 14"
6	56108018	1	Quick Release Aluminum Squeegee Handle
7	56108017	1	12" Aluminum Channel w/ Rubber Blade
8	56108029	1	Drain Tool, 5"
9	56108072	1	Spray Gun Complete
10	56108060	1	Spray Tip, Variable
11	56108022	1	Handle, Aluminum, 4ft.
12	56108066	1	Nozzle, Blower, Rubber
**	56108094	1	Grout Scrub Brush
**	56108021	1	Dry Caddy Bag
**	56108025	1	Extraction Tool Adapter Kit
**	56108016	1	Replacement Rubber Soft Blade – 12 Pack
**	56108011	1	Squeegee Service Kit

** = Optional

Table 1

Metering Tips		
Color	Size	Flow Rate
Red Purple	0.007	1/2 oz. per gallon
Light Purple	0.009	1 oz. per gallon
Purple	0.014	2 oz. per gallon
Yellow	0.020	4 oz. per gallon



Item	Ref. No.	Qty	Description
	56108096	1	Fan Kit
	56108040	1	Motor, Pump, 120V
	56108031	1	Vacuum Motor Kit
*	56260950	1	Replacement Carbon Brushes for Vacuum Motor (set of 2) (not shown)
	56108086	1	Switch Kit (includes two switches: one pump switch & one vacuum switch)
	56108078	1	Power Cord w/GFI, 12/3 x 50' (not shown)

* = Not Shown



**Nilfisk
Advance**

setting standards

Nilfisk-Advance, Inc.
14600 21st Avenue North
Plymouth, MN 55447-3408
www.nilfisk-advance.com
Phone: 800-989-2235
Fax: 800-989-6566
©2006 Nilfisk-Advance, Inc.