

## **Spare parts list**

**(15172050) RADIUS 28**

**(15172060) RADIUS 28 DeLuxe**



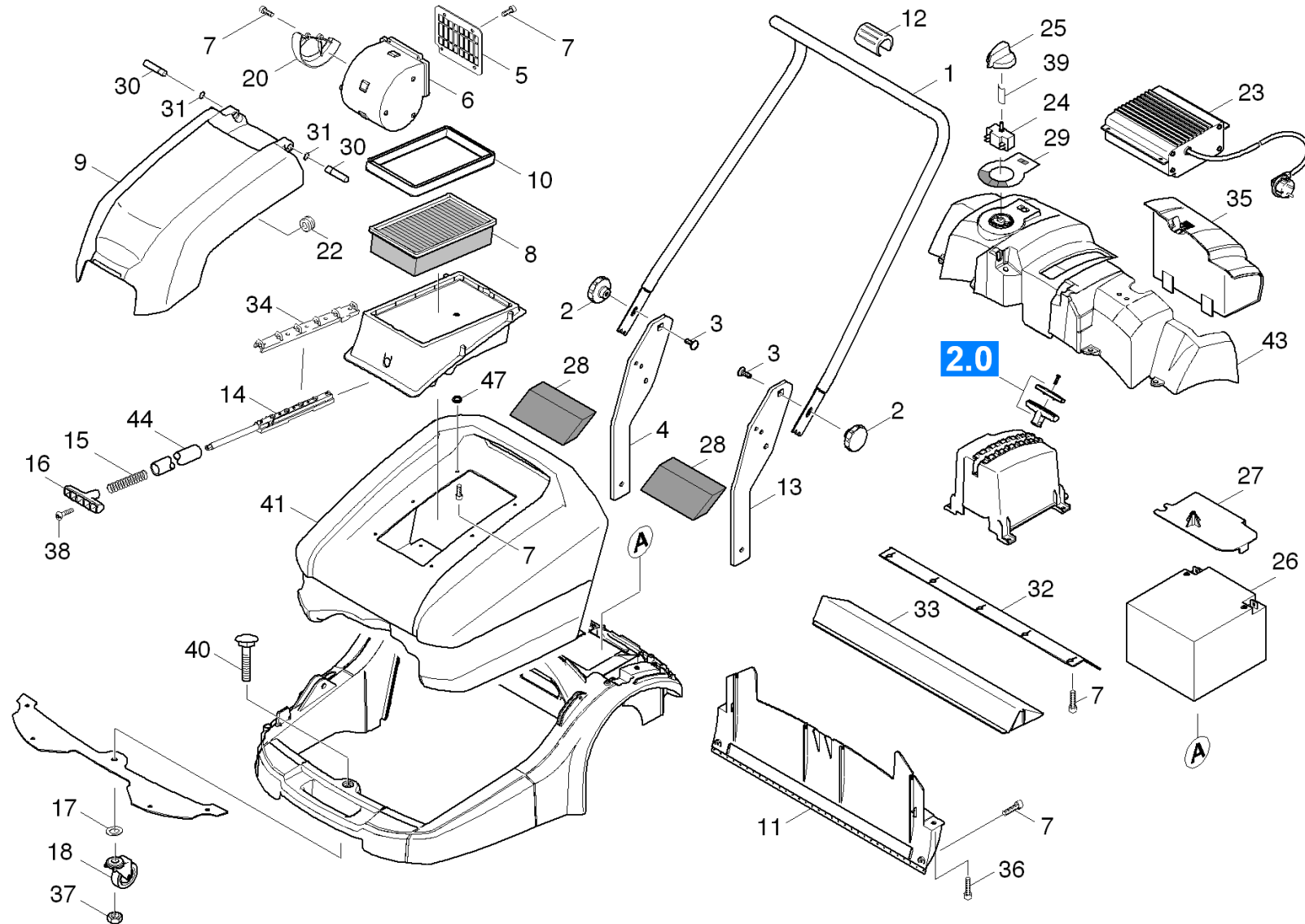
## **CONTENT LIST**

**1.0 Individual parts**

**2.0 Transmission**

**3.0 SIDE BROOM**

## 1.0 Individual parts



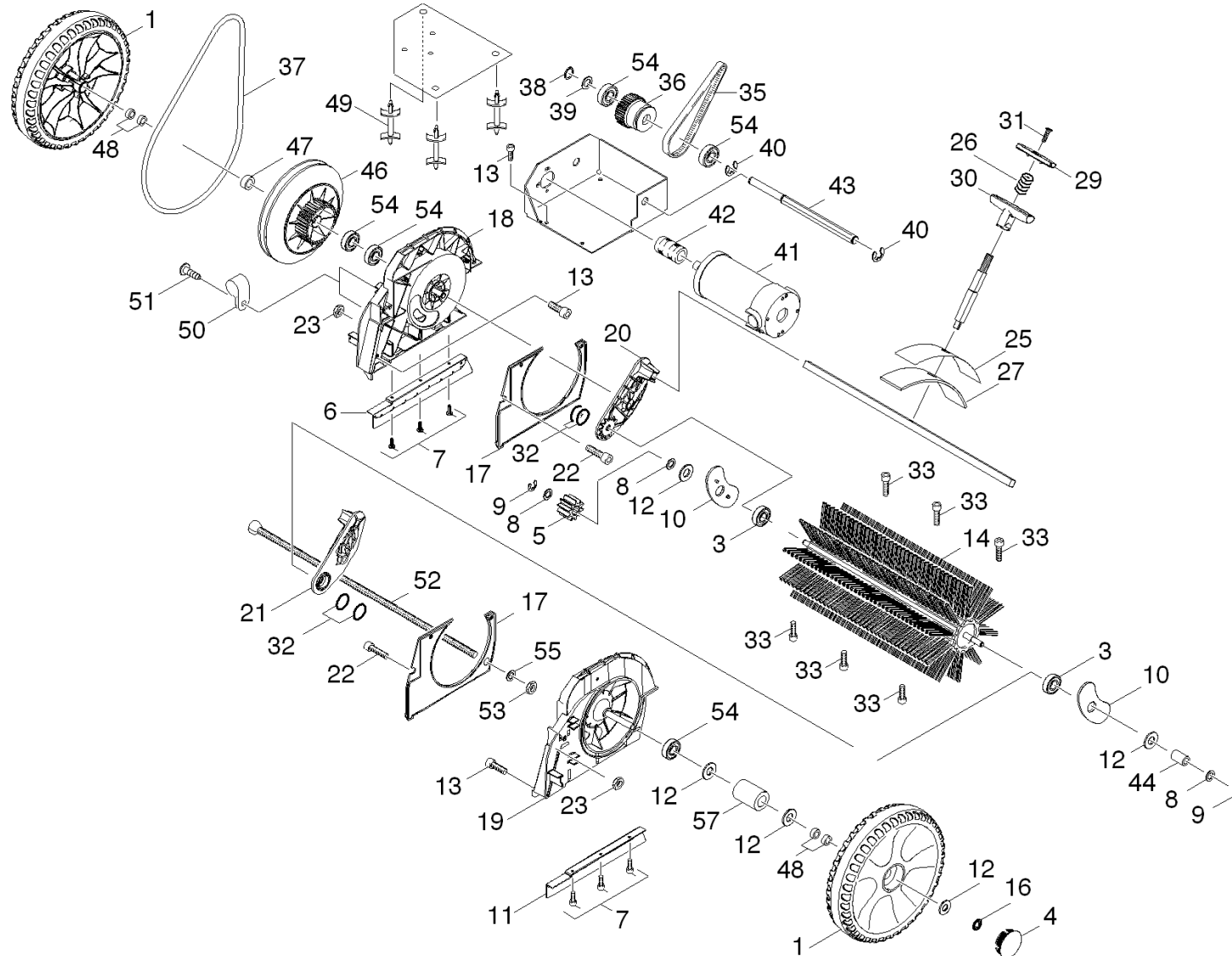
## 1.0 Individual parts

POS	DESCRIPTION ADDITIONAL INFORMATIONS	PART NO	QTY.	FROM SER.NR.	UP TO SER. NR.
1	Tube shearing shackle	51287750	1		
2	TURNING KNOB	63211770	2		
3	Saucer-head screw M8x25-St-AOP DIN 603	73031940	2		
4	Sheet metal component right	50577900	1		
5	Protection part blower <a href="#">1.517-206</a>	53947760	1		
6	Blower <a href="#">1.517-206</a>	64843070	1		
7	Screw 5x16 -10.9-P2R (K-In6Rd)	73031070	11		
8	Flat filter <a href="#">1.517-206</a>	69041760	1		
9	Moulded part flap blue <a href="#">1.517-206</a>	52150040	1		
10	Seal silicon <a href="#">1.517-206</a>	63655140	1		
11	MOULDED PART	50326410	1		
12	CLAMP	63738670	1		
13	Sheet metal component left	50578550	1		
14	Filter vibrator <a href="#">1.517-206</a>	50329070	1		
15	HELICAL SPRING <a href="#">1.517-206</a>	53322310	1		
16	Handhold filter vibrator <a href="#">1.517-206</a>	53217940	1		
17	Washer 10-200HV-A3E ISO 7090	73120050	2		
18	CASTOR	64351110	1		
20	Covering cap blower <a href="#">1.517-206</a>	50329160	1		
22	Wire protecting sleeve	66416380	1		
23	Battery charger <a href="#">1.517-206</a>	66542340	1		
24	Switch control panel	66355000	1		

## 1.0 Individual parts

POS	DESCRIPTION ADDITIONAL INFORMATIONS	PART NO	QTY.	FROM SER.NR.	UP TO SER. NR.
25	Handhold operational concept	53217380	1		
26	Battery 12V 22Ah	66542020	1		
27	Covering cap battery	50329280	1		
28	Filter cartridge for KM 70/30 C	57316250	2		
29	Foil control panel KM 70/30	53912480	1		
30	Bolt with groove <a href="#">1.517-206</a>	53171840	2		
31	Lock washer 8 -St-ph DIN 6799 <a href="#">1.517-206</a>	73433020	2		
32	Ground lip	69038010	1		
33	Holder ground lips sweep tank	69038000	1		
34	Stripper <a href="#">1.517-206</a>	50309000	1		
35	Cover batterie shed	56540730	1		
36	Screw 5x30 -10.9-R2R (K-In6Rd)	73030860	6		
37	Hexagon nut M10-8-A2E ISO 7040	73115110	1		
38	Screw 4x16 -10.9-R2R (K-In6Rd) <a href="#">1.517-206</a>	73031290	1		
39	SPRING CLIP	63130140	1		
40	Saucer-head screw M10x80 -St-AOP DIN 60	73032220	1		
41	Sweep tank complete blue <a href="#">1.517-205</a>	40706410	1		
41	Sweep tank complete blue <a href="#">1.517-206</a>	40706470	1		
43	Cover with hinge	50680000	1		
43	Cover without hinge	50681830	1		
44	Tube filter vibrator <a href="#">1.517-206</a>	50272910	1		
47	JOINT RING <a href="#">1.517-206</a>	64729690	6		

## 2.0 Transmission



## 2.0 Transmission

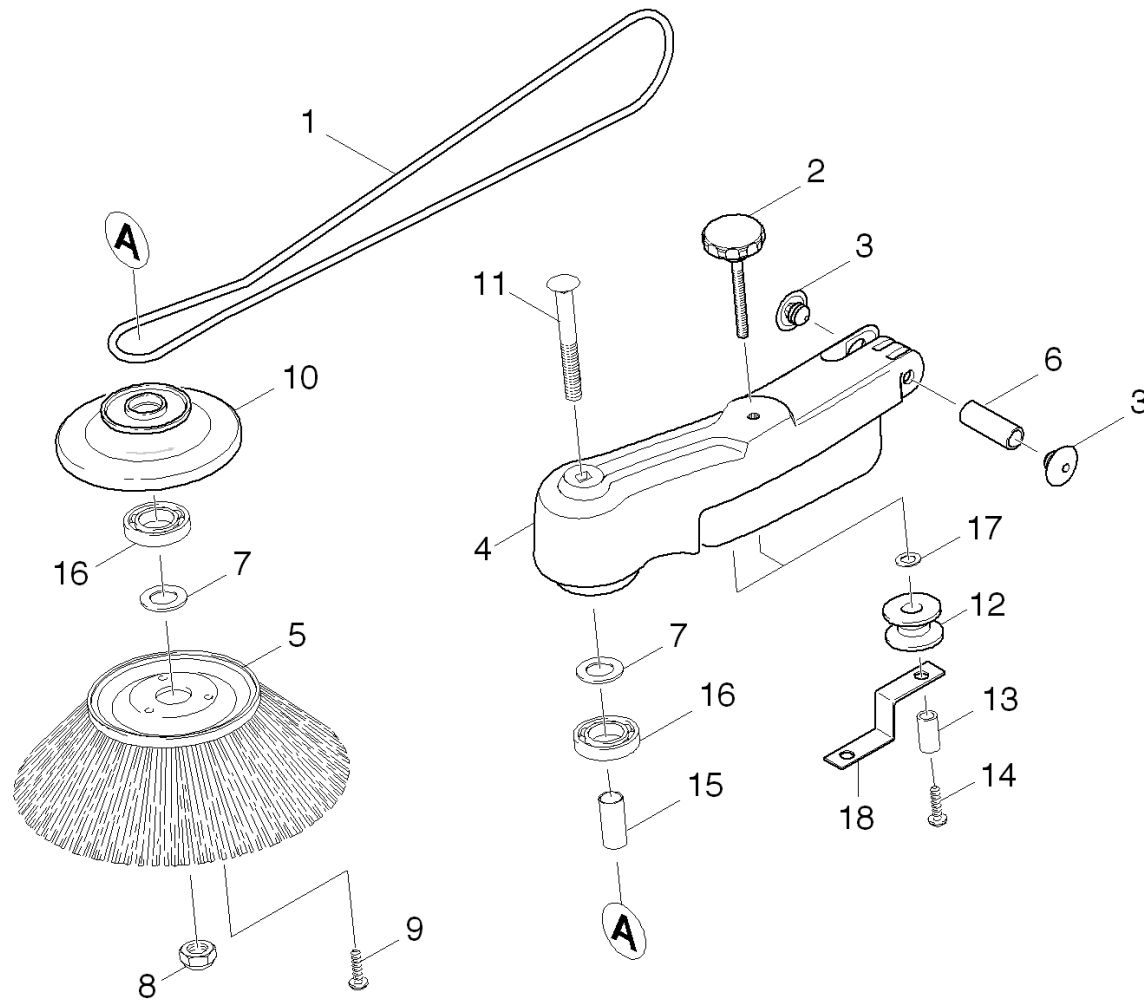
POS	DESCRIPTION ADDITIONAL INFORMATIONS	PART NO	QTY.	FROM SER.NR.	UP TO SER. NR.
1	Wheel complete	45152800	2		
3	Ball bearing 6001-2RS-EDELSTAHL DIN 625	74010080	2		
4	WHEEL CAB	53920380	2		
5	Pinion with sprag clutch	43520120	1		
6	Skirting right	53948020	1		
7	Screw 5x16 -10.9-P2R (K-In6Rd)	73031070	14		
8	Shim ring 10x16x0,5-St2K50 DIN988	73432160	4		
9	Lock washer 8 -St-ph DIN 6799	73433020	2		
10	Gasket disc	63653600	2		
11	Skirting left	53948030	1		
12	WASHER	51156280	4		
13	Screw 6x25 -10.9-A2R (In6Rd)	73031130	6		
14	Reversing rolling mill	69060410	1		
16	Locking ring 12x1 - Rf-St DIN 471	73730030	2		
17	Covering cap	50326530	2		
18	Axle drum right	50329060	1		
19	Axle drum left	50329170	1		
20	Stub axle right	50326400	1		
21	Stub axle left	50326430	1		
22	Screw M 6x35 -8.8-R3R (In6Rd)	73061180	4		
23	Hexagon nut M6 -04-A2E ISO 4035	73112000	4		
25	Plate spring steel	50089260	1		
26	HELICAL SPRING	53324810	1		
27	Seal	53636300	1		
29	BUTTON	53260280	1		
30	HANDLE	53217360	1		
31	Countersunk screw M5x20 -A2-70-s (In6Rd)	73050500	1		
32	O RING	63623660	4		
33	Screw 5x30 -10.9-A2R (In6Rd)	73032100	6		
35	Toothed belt HTD 330-3M-15	63484320	1		
36	Belt pulley	56254660	1		
37	Round belt D 8	63484280	1		
38	Locking ring 12x1-Rf-St DIN 471	73430030	1		



## 2.0 Transmission

POS	DESCRIPTION ADDITIONAL INFORMATIONS	PART NO	QTY.	FROM SER.NR.	UP TO SER. NR.
39	Washer 12-200HV-A3E ISO 7090	73120080	1		
40	Lock washer 12-St-A2E DIN 6799	73433060	2		
41	Electric motor 12 V 150 W	66130990	1		
42	Toothed belt pulley 15 Z	56254710	1		
43	Shaft hexagon	51004990	1		
44	SLEEVE DISTANZ-	51105140	1		
46	Belt pulley	56254670	1		
47	Spacer sleeve	51162020	1		
48	Plain bearing	64030550	4		
49	Distance holder	66466980	3		
50	CABLE CLIP	66414600	2		
51	Screw 4x16 -10.9-R2R (K-In6Rd)	73031290	2		
52	Threaded rod	53091520	1		
53	Hexagon nut M6 -04-A2E ISO 10511	73114250	1		
54	BALL BEARING	64013630	5		
55	Washer 6 -200HV-A3E ISO 7090	73120030	1		
57	Spacer sleeve	51128140	1		

### 3.0 SIDE BROOM



### 3.0 SIDE BROOM

POS	DESCRIPTION ADDITIONAL INFORMATIONS	PART NO	QTY.	FROM SER.NR.	UP TO SER. NR.
1	BELT	63482290	1		
2	TURNING KNOB	63211760	1		
3	PLUG	63859350	2		
4	Arm side broom	50326380	1		
5	BROOM	69660050	1		
6	SLEEVE	51161190	1		
7	Washer 10 -160HV-A3E EN28738	73121530	2		
8	Hexagon nut M10-8-A2E ISO 7040	73115110	1		
9	Screw 6x20 -10.9-R2R (In6Rd)	73031120	3		
10	FLANGE	69660020	1		
11	Saucer-head screw M10x130-St-AOP DIN 60	73032080	1		
12	DEFLECTION PULLEY	69660070	2		
13	Tube 10x1,5x16	69660090	2		
14	Screw 6 x 35-ST-10.9-A2R (IN6RD)	73031140	2		
15	Spacer sleeve 12x0,8x31	69660200	1		
16	Ball bearing 6001-2RS-EDELSTAHL DIN 625	74010080	2		
17	Washer 6 -200HV-A2E ISO7093-1	73122760	2		
18	Sheet metal component belt side broom	50613560	1		