

(10492030) RWB 300

2007 09

59708490

EN

CONTENT LIST

1.0 Basic machinery

2.0 Sweep tank

3.0 Sweep roller chest

4.0 Transmission completely

5.0 Battery transmission

6.0 Side broom

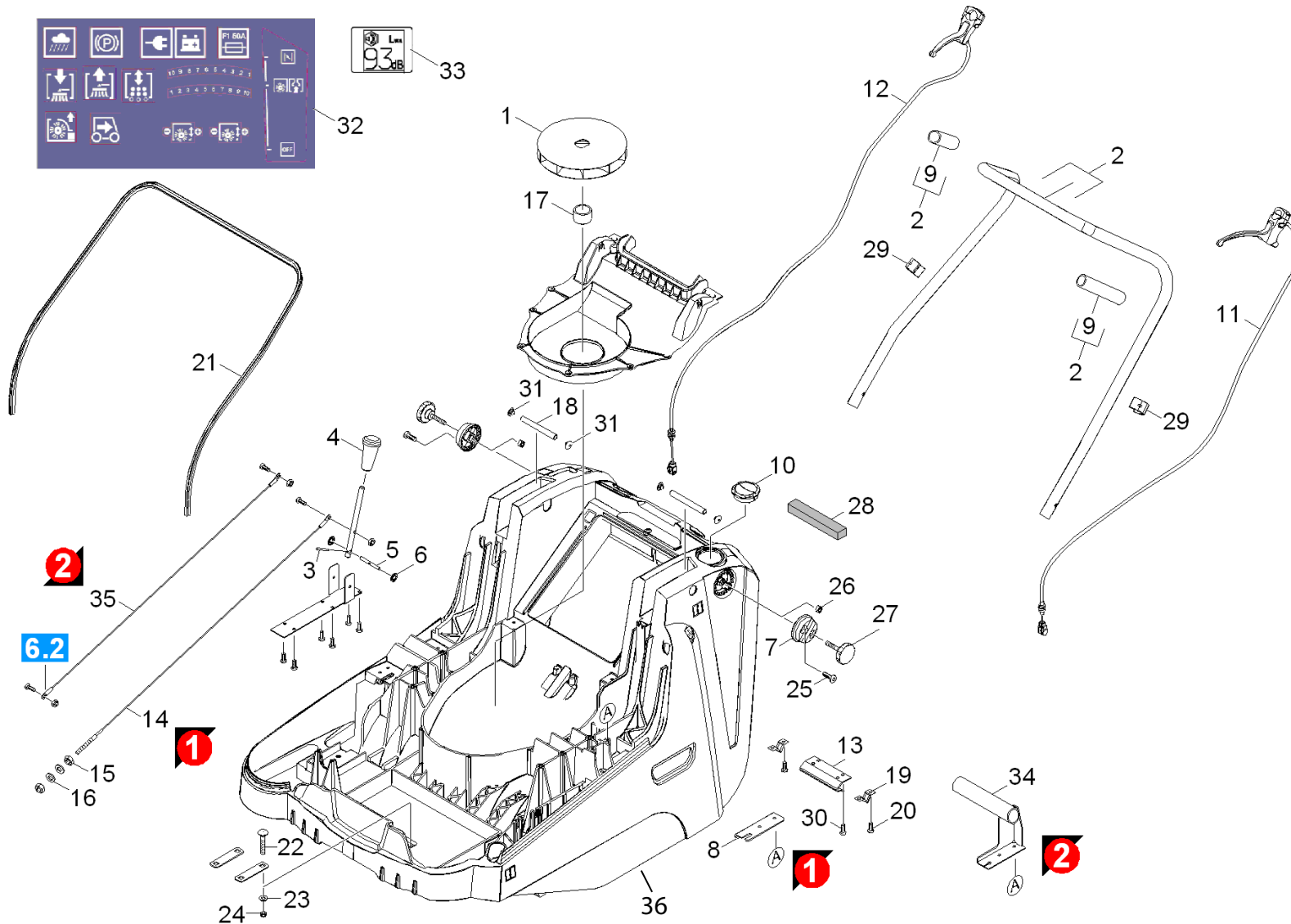
7.0 Filter box

8.0 Operating unit battery

9.0 ABS carpet sweep unit

10.0 Battery

1.0 Basic machinery



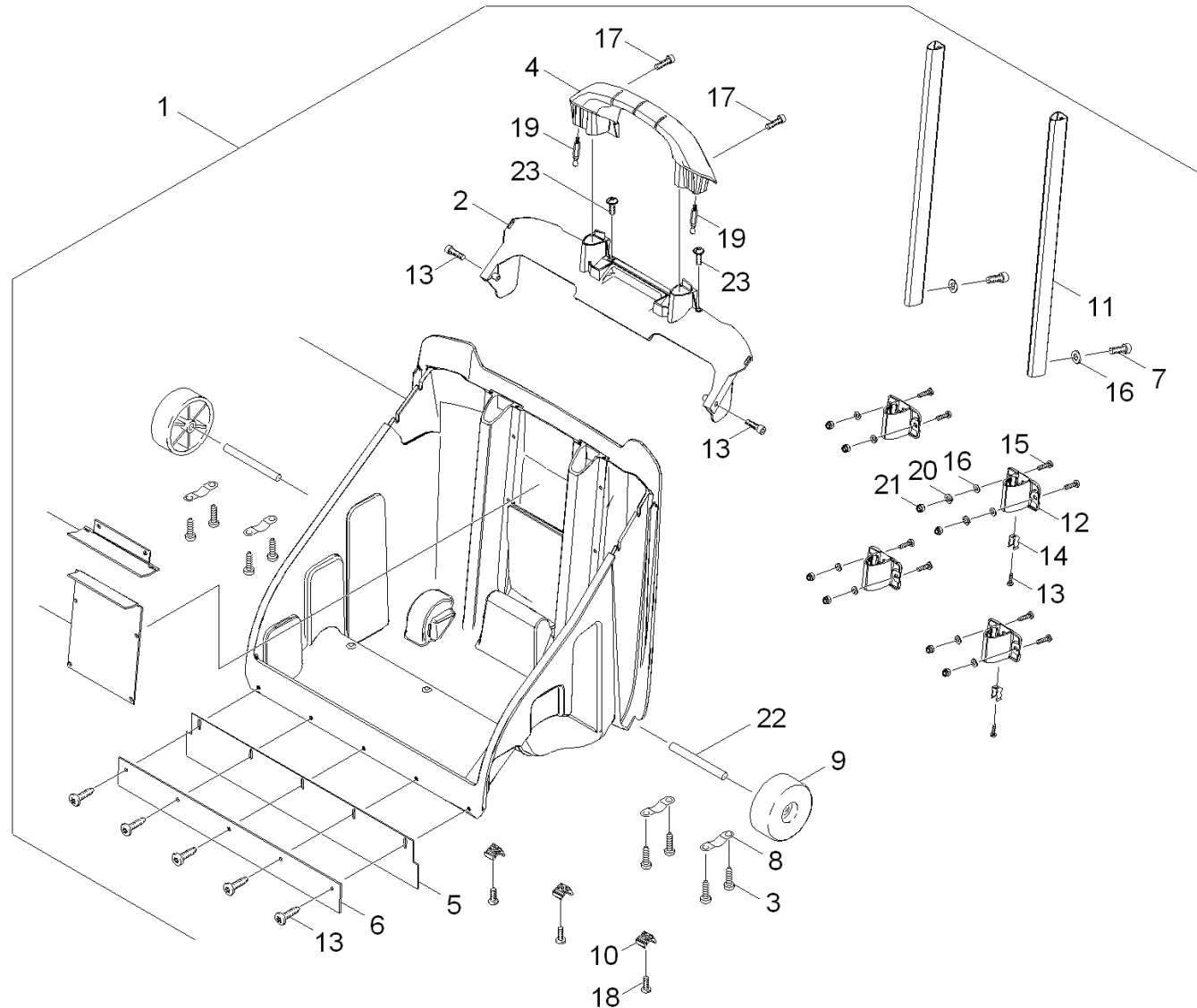
1.0 Basic machinery

POS	DESCRIPTION ADDITIONAL INFORMATIONS	PART NO	QTY.	FROM SER.NR.	UP TO SER. NR.
1	Blower wheel	56000860	1		
2	Shearing shackle	50347970	1		
3	Spring pin 2,5x12-St ISO 8752	73149530	1		
4	HANDLE	53216060	1		
5	Bolt adjustment side broom	53172210	1		
6	LOCK WASHER	63431190	2		
7	Fixing strap	50933240	2		
8	Plate bowden wire gear	50093370	1		
	Version 1				
9	Hose	63902690	1		
10	Air flap	64158960	1		
11	Bowden wire gear	64312580	1		
12	Bowden wire bulk waste flap	64312570	1		
13	Sheet metal component guide	50093520	1		
14	Tackle	64312590	1		
	Version 1				
15	Hexagon nut M8 -8-A3E ISO 4032	73110040	2		
16	Washer 6-200HV-P4E ISO 7089	73120450	2		
17	Sleeve blower wheel	51163370	1		
18	Sleeve cover	51163190	2		
19	Spring	63301490	2		
20	Screw 4x12 -10.9-R2R (IN6RD)	73031060	4		
21	Sealing profile	63653740	1		
22	Saucer-head screw M8x50-8.8-A2E DIN 603	73030090	4		
23	Washer 8-A2 ISO 7089	73120170	4		
24	Hexagon nut M8 -04-A2E ISO 10511	73114270	4		
25	Screw 5x16 -10.9-P2R (K-In6Rd)	73031070	4		
26	Square nut M8 -05-A2E DIN 557	73115700	2		
27	Star grip	63211790	2		
28	Cellular rubber profile	62732710	1		
29	KABELCLIP	58394080	2		
30	Screw 6x20 -10.9-R2R (In6Rd)	73031120	21		

1.0 Basic machinery

POS	DESCRIPTION ADDITIONAL INFORMATIONS	PART NO	QTY.	FROM SER.NR.	UP TO SER. NR.
31	Plug	63859350	4		
32	Adhesive label safety instructions KM 75	53918510	1		
33	Label 81 dB	53846950	1		
34	Exhaust complete Version 2	40407490	1		
35	Tackle side broom Version 2	64312820	1		
36	Frame	50503540	1		

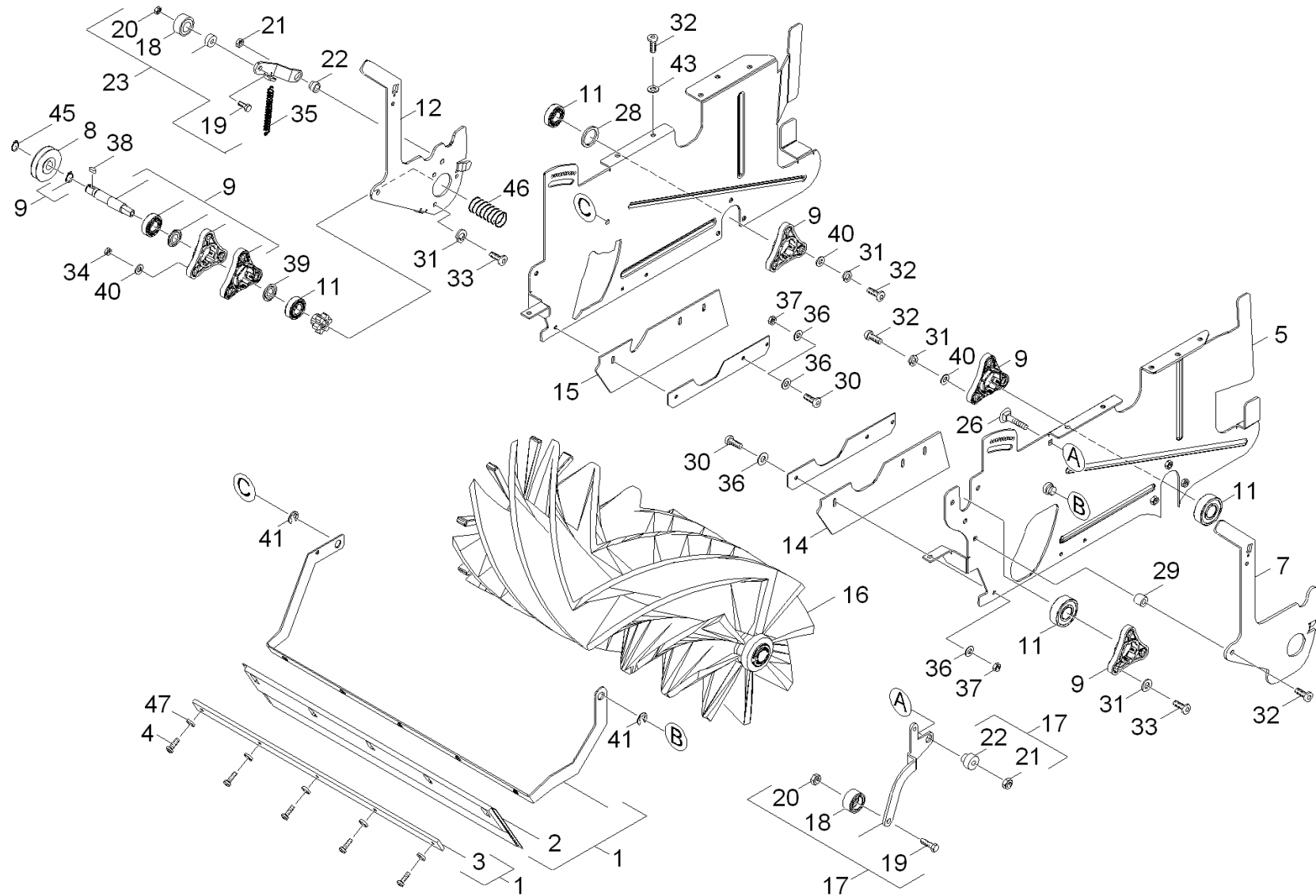
2.0 Sweep tank



2.0 Sweep tank

POS	DESCRIPTION ADDITIONAL INFORMATIONS	PART NO	QTY.	FROM SER.NR.	UP TO SER. NR.
1	Sweep tank complete	28508180	1		
2	Reinforcement sweep tank	50642510	1		
3	Screw 4x12 -10.9-R2R (In6RD)	73031060	10		
4	Trolley handhold	53218580	1		
5	Skirting rear	53948160	1		
6	Plate skirting rear	50092640	1		
7	Cylinder head screw M 6X 12-8.8-A2R	63031930	2		
7	Screw 5x16 -10.9-P2R (K-In6Rd) 1.049-200 >10160, /-201 >10020, /-202 >10076	73031070	9		
8	BRUSH STRIP	69031930	2		
9	Wheel	55150680	2		
10	Slide part sweep tank KSM 750	50311570	3		
11	Bar sweep tank	51072850	2		
12	Guide Trolley	50642500	4		
13	Screw M6x20 -St-R3R (In6Rd) 1.049-200 <10159, /-201 <10019, /-202 <10075	73030480	9		
14	Spring clip	63304070	2		
15	Screw M6x25 -8.8-R3R (In6Rd)	73060940	8		
16	Washer 6 -200HV-A3E ISO 7090	73120030	12		
17	Screw M6x12 -St-R3R (In6Rd)	73030460	2		
18	Countersunk screw 5,0X 16-ST-A2R	63030570	3		
19	Locking plug long	51081970	2		
20	Spring washer B 6-FST-A2E DIN 137	73123050	8		
21	Hexagon nut M 6-8-A2E ISO 7040	73115120	8		
22	PIN	53140690	2		
23	Screw 5x16 -10.9-P2R (K-In6Rd)	73031070	4		

3.0 Sweep roller chest



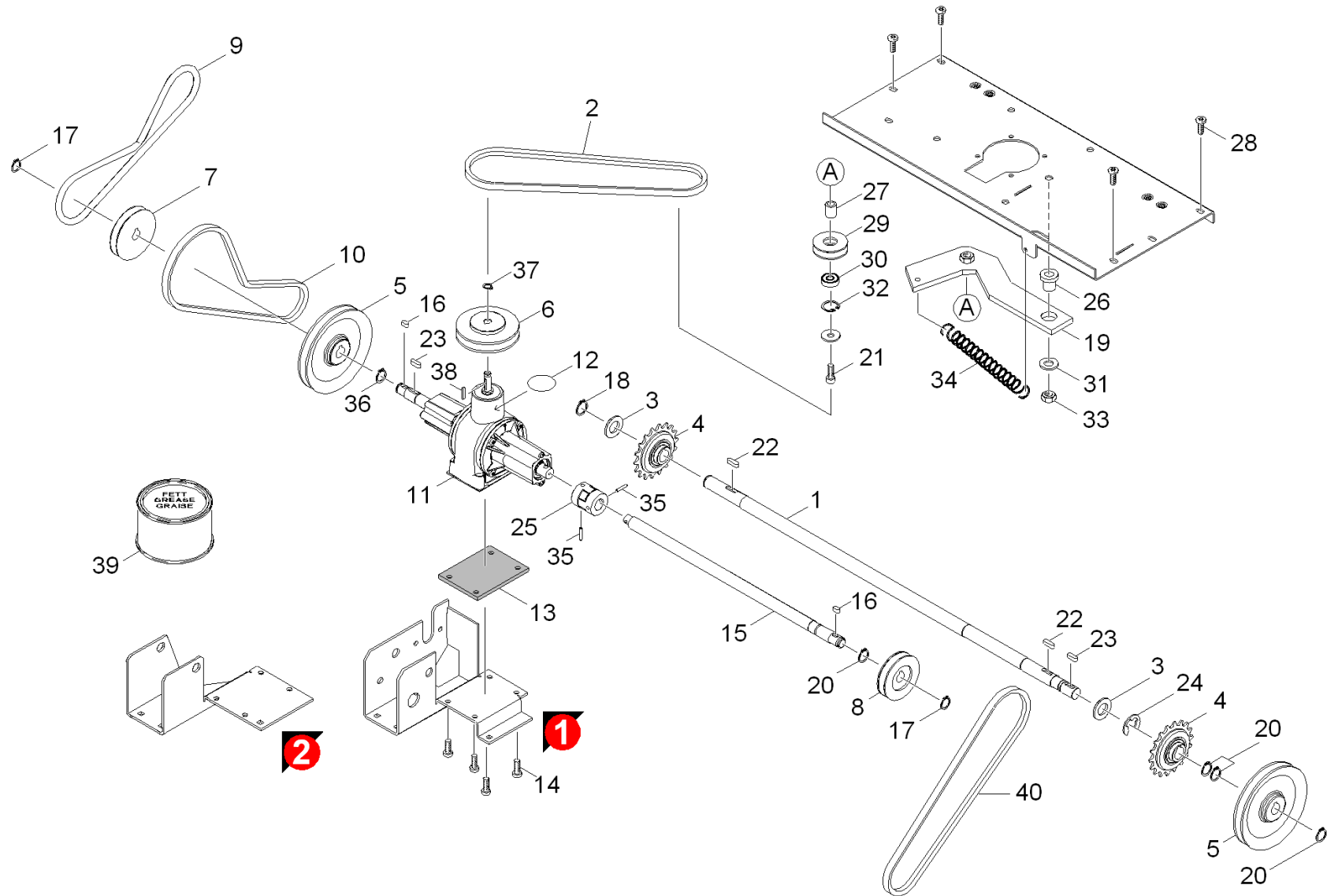
3.0 Sweep roller chest

POS	DESCRIPTION ADDITIONAL INFORMATIONS	PART NO	QTY.	FROM SER.NR.	UP TO SER. NR.
1	Bulk waste flap complete	40406330	1		
2	Skirting front	53948150	1		
3	Plate skirting front	50092650	1		
4	Screw M6x16 -8.8-R3R (In6Rd)	73060900	5		
5	Side plate left complete	40406890	1		
6	Side plate right complete	40406880	1		
7	Sheet metal component lever left	40406690	1		
8	Belt pulley D 56,5	56254800	1		
9	Bearing flange shaft complete	42530010	5		
10	BALL BEARING	64013310	1		
12	Sheet metal component lever right	40406380	1		
14	Skirting side left	53948170	1		
15	Skirting side right	53948180	1		
16	Reversing rolling mill standard	69068840	1		
16	Reversing rolling mill hard	69068850	1		
16	Reversing rolling mill soft	69068860	1		
16	Reversing rolling mill antistatic	69069500	1		
17	Belt stretcher gear	40406990	1		
18	ROLLERS	55150920	1		
19	Hexagonal head screw M8x20-8.8-A2E ISO	73043970	1		
20	Hexagon nut M 8-A2-70 EN 1661	73110600	1		
21	Hexagon nut M8 -04-A2E ISO 10511	73114270	1		
22	Sleeve belt stretcher	51163360	1		
23	Belt stretcher reversing rolling mill	40406980	1		
28	Plate ronde	50943180	1		
29	Sleeve	51101770	4		
30	Screw M5x25 -8.8-R2R (In6Rd)	73060790	6		
31	Spring washer B 6-FST-A2E DIN 137	73123050	16		
32	Screw M6x20-ST- 8.8-A3R (IN6RD)	73060920	20		
33	Screw M6x30 -8.8-R3R (In6Rd)	73061050	6		
34	Hexagon nut M6 -04-A2E ISO 10511	73114250	7		
35	Extension spring	63301030	1		

3.0 Sweep roller chest

POS	DESCRIPTION ADDITIONAL INFORMATIONS	PART NO	QTY.	FROM SER.NR.	UP TO SER. NR.
36	Washer 5 -A2 ISO 7093-1	73122820	12		
37	Hexagon nut M 5-04-A2E ISO 10511	73114210	6		
38	Parallel key 5x5x12 -C45R DIN 6885-1	73180840	1		
40	Washer 6-200HV-P4E ISO 7089	73120450	18		
41	Lock washer 10-FST-A2E DIN 6799	73430470	2		
42	Screw 6x20 -10.9-R2R (In6Rd)	73031120	1		
43	Washer 6 -200HV-A2E ISO7093-1	73122760	6		
45	Locking ring 14x1-FST-PHR DIN 471	73430310	1		
46	Helical spring	53321140	1		
47	Washer 6 -200HV-A2E ISO7093-1	73122760	5		

4.0 Transmission completely



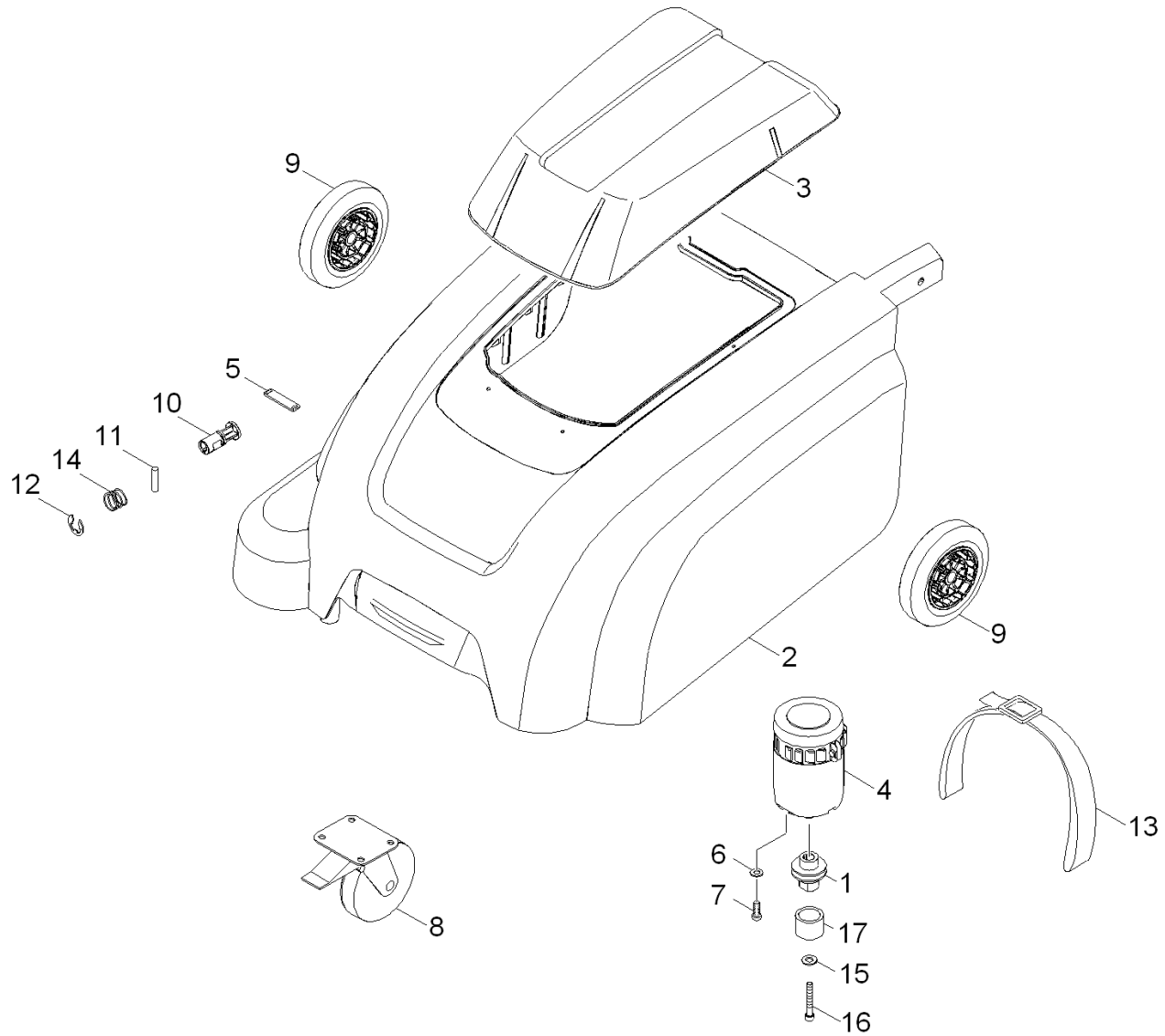
4.0 Transmission completely

POS	DESCRIPTION ADDITIONAL INFORMATIONS	PART NO	QTY.	FROM SER.NR.	UP TO SER. NR.
1	Shaft wheel axle	51005230	1		
2	Large V-belt motor	63484380	1		
3	Washer 16-200HV-A3E ISO7090	73120190	2		
4	Sprag clutch	64014130	2		
5	Belt pulley	56252770	2		
6	Belt pulley	56254230	1		
7	Belt pulley SB	56254810	1		
8	Belt pulley gear	56254820	1		
9	Round belt D10	63484360	1		
10	Large V-belt reversing rolling mill	63484370	1		
11	Gear replacement	40607810	1		
12	O-Ring seal 57x1,5	63633940	2		
13	Plate rubber	62732700	1		
14	Screw M5x16 -8.8-R2R (In6Rd)	73060770	4		
15	Shaft gear long	51005310	1		
16	Parallel key A5x5x10-C45R DIN 6885	73180900	2		
17	Locking ring 14x1-FST-PHR DIN 471	73430310	2		
18	Locking ring 17x1-FST-RF DIN 471	73430290	1		
19	Belt stretcher motor	40406420	1		
20	Locking ring 15x1-FST-RF DIN 471	73430150	4		
21	Cylinder head screw M 8x25-A4-70 ISO 47	73061420	1		
22	Parallel key 5X 5X 18-C45R DIN 6885	73180030	2		
23	Parallel key 5x5x16 -C45R DIN 6885-1	73180020	2		
24	Lock washer 15 -A2 DIN 6799	73433040	1		
25	Coupler	64650270	1		
26	Sleeve belt stretcher	51163360	1		
27	Bush	53170690	1		
28	Screw M6x20-ST- 8.8-A3R (IN6RD) 1.049-202.0	73060920	4	10143	
29	Belt pulley belt stretcher 750 HO	56253750	1		
30	Ball bearing 608-2RS -Wälzl.St DIN 625	74011490	1		
31	Washer 8-200HV-A2E ISO7093-1	73122770	1		

4.0 Transmission completely

POS	DESCRIPTION ADDITIONAL INFORMATIONS	PART NO	QTY.	FROM SER.NR.	UP TO SER. NR.
32	Locking ring 22x1-FST-PHR DIN 472	73431050	1		
33	Hexagon nut M 8-A2-70 EN 1661	73110600	1		
34	Extension spring	63301830	1		
35	PIN	64915570	2		
	Version 1				
35	Spring pin 5,0x28-St ISO 8752	73149450	2		
	Version 2				
36	Locking ring 15x1-FST-PHR DIN 471	73430040	1		
37	Locking ring 9x1-FST-phr DIN 471	73430330	1		
38	Parallel key A3x3x18 -C45R DIN 6885	73181050	1		
39	Viscous oil	62880950	1		
40	Large V-belt 1292 mm	63484540	1		

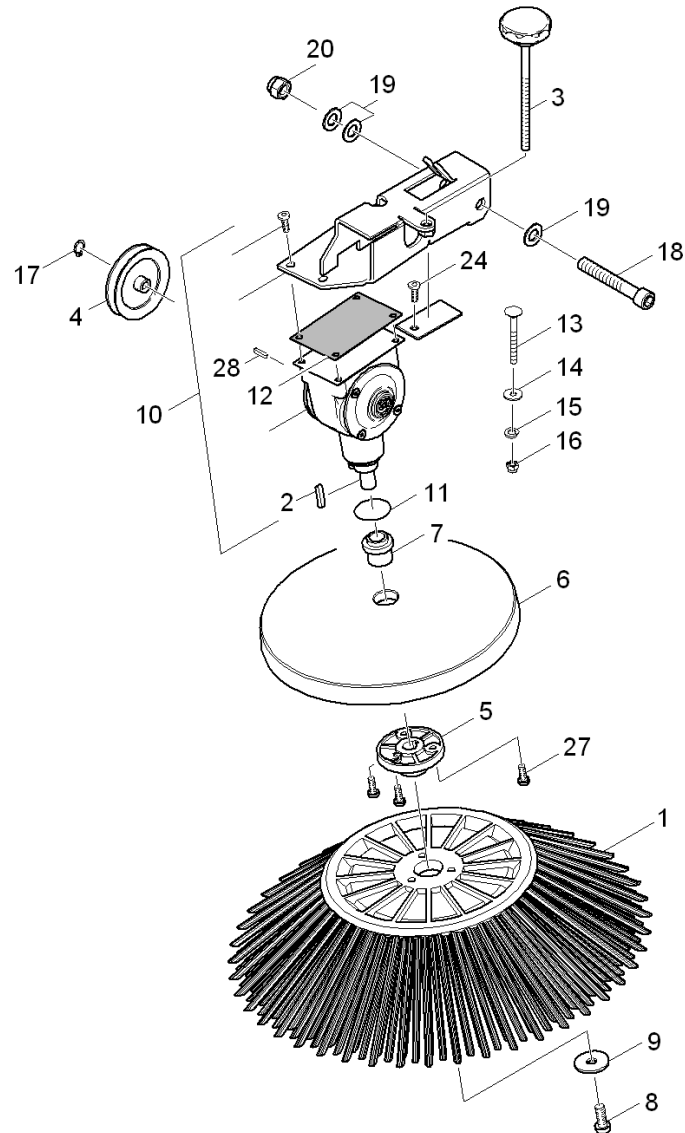
5.0 Battery transmission



5.0 Battery transmission

POS	DESCRIPTION ADDITIONAL INFORMATIONS	PART NO	QTY.	FROM SER.NR.	UP TO SER. NR.
1	Shaft motor battery	51005280	1		
2	Cover battery Windsor	50682010	1		
3	Flap service battery	50642630	1		
4	Direct current motor 400 W	66131110	1		
5	Plate closure cover	50943280	1		
6	Washer 6 -200HV-A3E ISO 7090	73120030	4		
7	Screw M6x20-ST- 8.8-A3R (IN6RD)	73060920	4		
8	Castor	64353220	1		
9	Wheel complete traceless	64357670	2		
10	Bolt closure	51163220	1		
11	Straight pin 5m6x35-A1 ISO 2338	73141530	1		
12	Lock washer 15 -A2 DIN 6799	73433040	1		
13	Retaining belt 1x25x1700	62776070	2		
14	Helical spring	53322360	1		
15	Washer 8-200HV-A2E ISO7093-1	73122770	1		
16	Cylinder head screw M8x55 -A4-70 ISO 47	73062220	1		

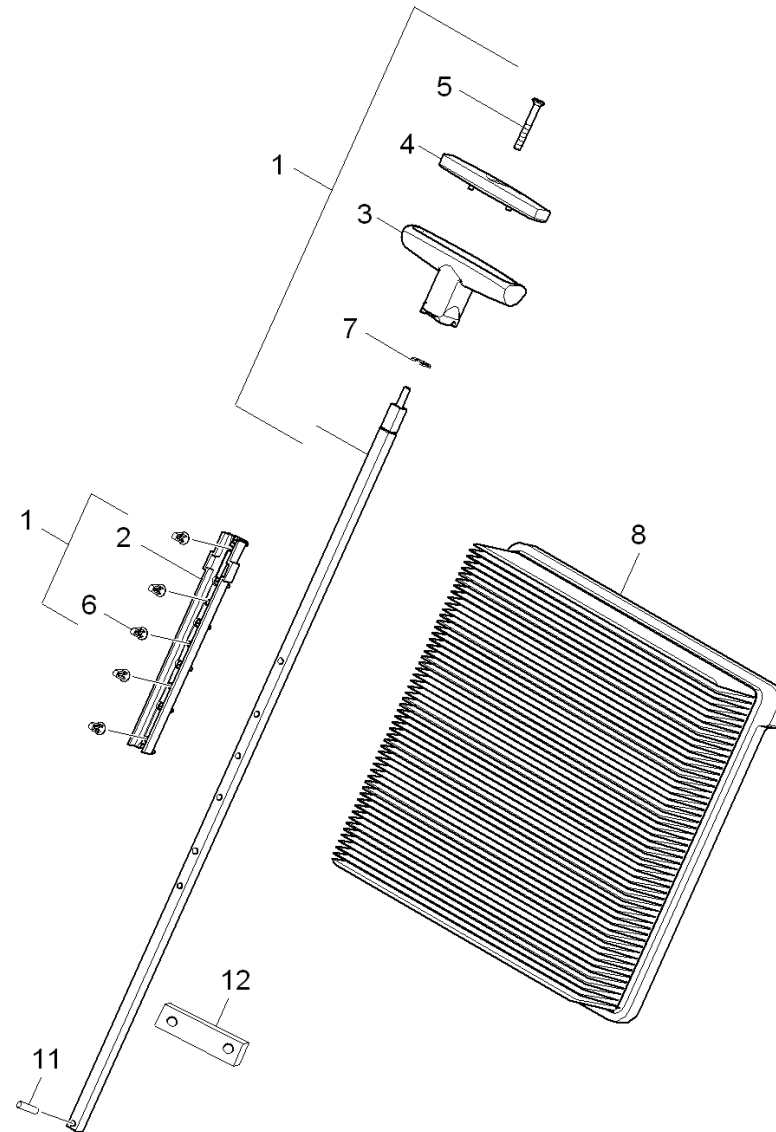
6.0 Side broom



6.0 Side broom

POS	DESCRIPTION ADDITIONAL INFORMATIONS	PART NO	QTY.	FROM SER.NR.	UP TO SER. NR.
1	SIDE BRUSH (HARD)	69056250	1		
1	Side broom	69056260	1		
2	Parallel key A 5x5x25-C45R DIN 6885	73180790	1		
3	Star grip	63212170	1		
4	Belt pulley round belt D10	56254900	1		
5	Hub	51203050	1		
6	Rejecting plate	50642520	1		
7	Sleeve rejecting plate	51163210	1		
8	Screw M6x20-ST- 8.8-A3R (IN6RD)	73060920	1		
9	Washer 6 -100HV-A3E ISO 7094	73122600	1		
10	Housing complete side broom	40607150	1		
11	Joint ring NILOS 6002	63632920	2		
12	Plate rubber	62732700	1		
13	Saucer-head screw M6x60 -St-A0P DIN 603	73032330	5		
14	Washer 6 -200HV-A2E ISO7093-1	73122760	4		
15	Spring washer B 6-FST-A2E DIN 137	73123050	5		
16	Hexagon nut M 6-8-A2E ISO 7040	73115120	5		
17	Locking ring 8x0,8-FST-PHR DIN 471	73430140	1		
18	Cylinder head screw M12x80- 8.8-A3E IS	73061220	1		
19	WASHER	51156810	3		
20	Hexagon nut M12-8-A2E ISO 7040	73115150	1		
24	Screw 6x20 -10.9-R2R (In6Rd)	73031120	1		
27	Cylinder head screw M6x12-8.8-A2E DIN 6	73065000	3		
28	Parallel key 3x3x10-C45R DIN 6885	73180060	1		

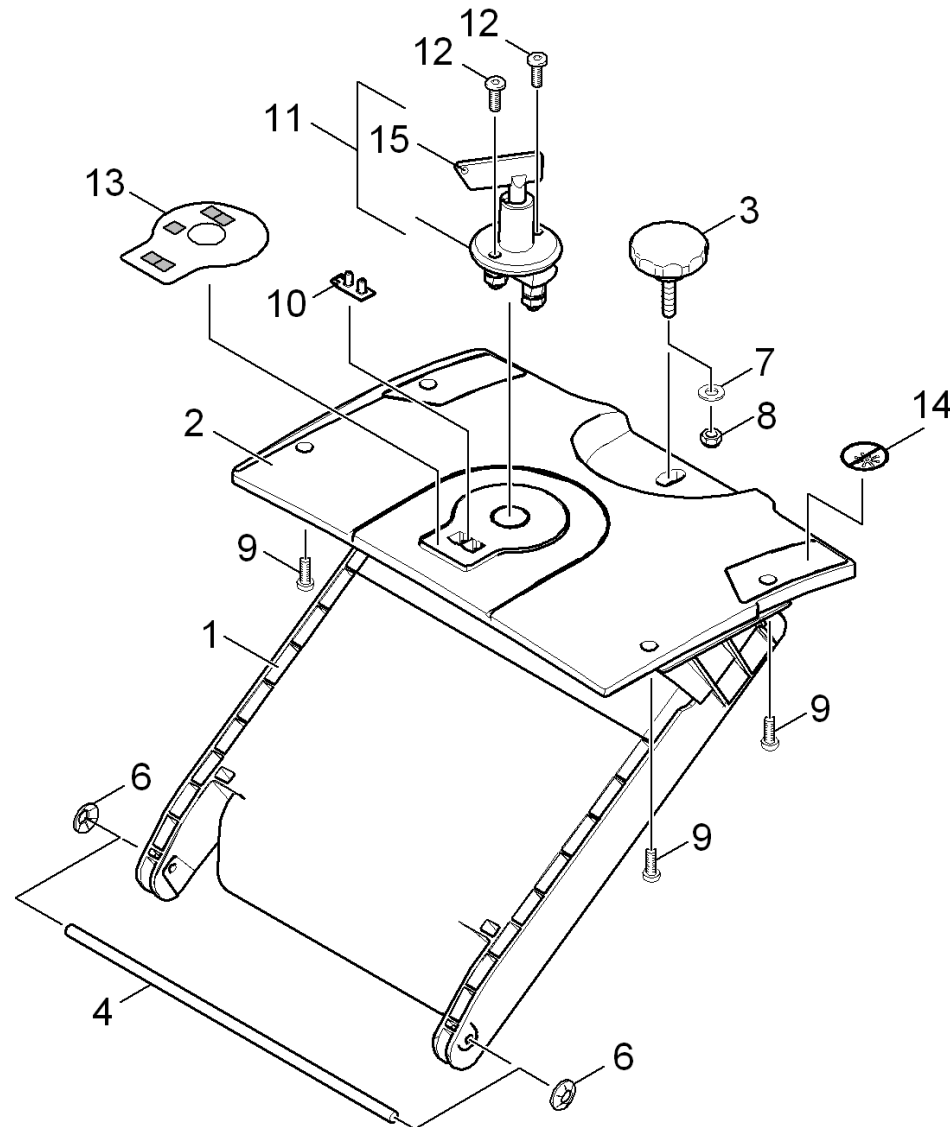
7.0 Filter box



7.0 Filter box

POS	DESCRIPTION ADDITIONAL INFORMATIONS	PART NO	QTY.	FROM SER.NR.	UP TO SER. NR.
1	Filter vibrator complete	40406430	1		
2	Stripper	50309000	1		
3	HANDLE	53217360	1		
4	Button	53260280	1		
5	Countersunk screw M5x40 -A2-70 (IN6RD)	73050940	1		
6	RIVET	63150680	5		
7	Locking ring 8-A2 DIN 6799	73433030	1		
8	Filter cartridge without groove KM 75/40	57316350	1		
11	Spring pin 5,0x28-St ISO 8752	73149450	1		
12	Sheet metal component guide	50093520	1		

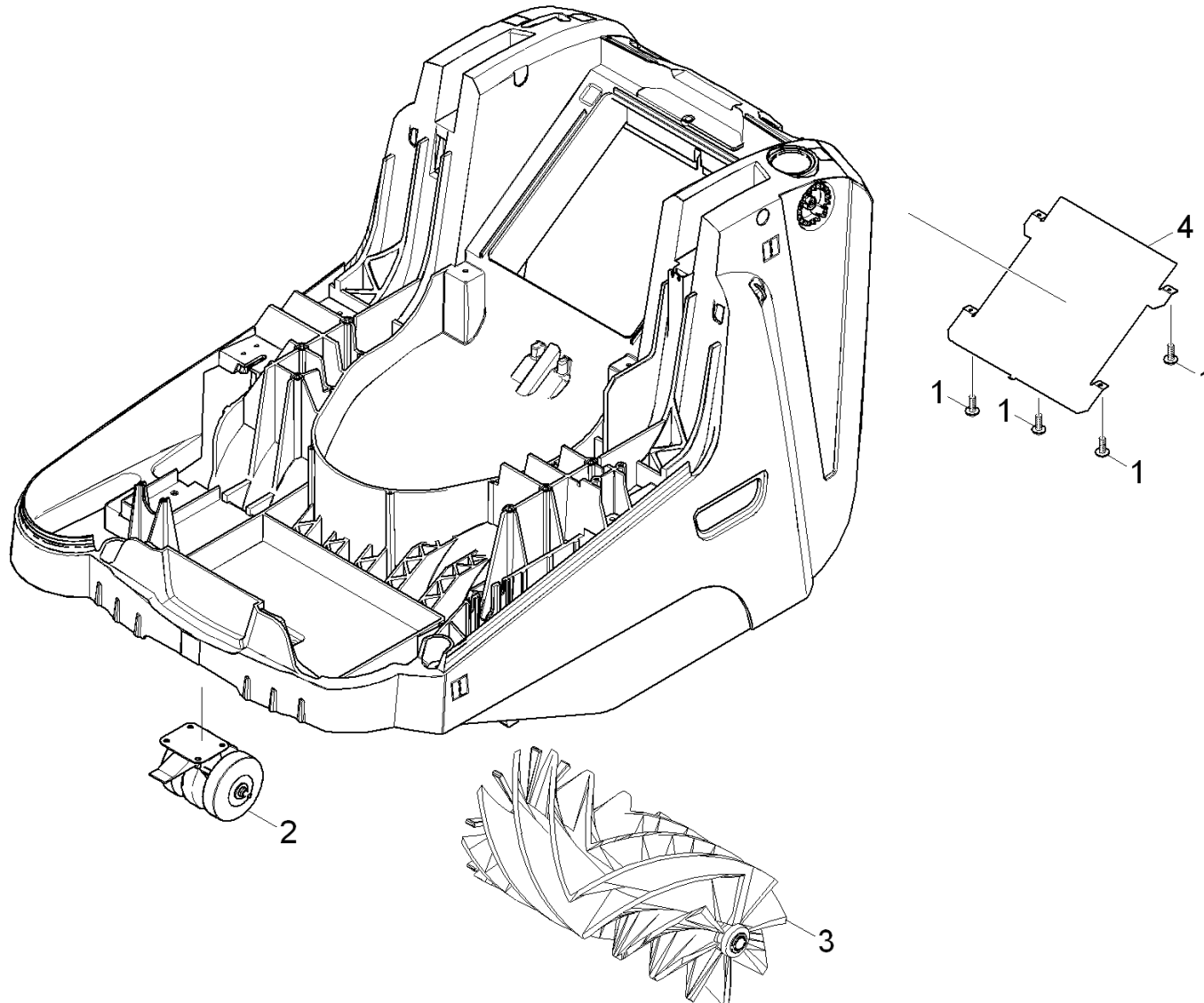
8.0 Operating unit battery



8.0 Operating unit battery

POS	DESCRIPTION ADDITIONAL INFORMATIONS	PART NO	QTY.	FROM SER.NR.	UP TO SER. NR.
1	Cover filter	50642490	1		
2	Operating unit battery	50933260	1		
3	Star grip	63212160	1		
4	Bolt B 6x50 -St-A2E ISO 2341	73162120	2		
5	Cotter 1,6x12-ST-A2E ISO 1234	73163210	2		
6	Washer 6-160HV-A3E ISO 8738	73121400	4		
7	Washer 8 -200HV-A3E ISO 7090	73120040	1		
8	Hexagon nut M8 -04-A2E ISO 10511	73114270	1		
9	Screw 5x16 -10.9-P2R (K-In6Rd)	73031070	4		
10	Circuit board LED BR/BD 40/25	66827760	1		
11	Key switch	66341960	1		
12	Screw 6x20 -10.9-R2R (In6Rd)	73031120	2		
13	Foil control panel KM 75/40 W BAT	53918810	1		
14	DECAL	53908530	1		
15	KEY	66342010	1		

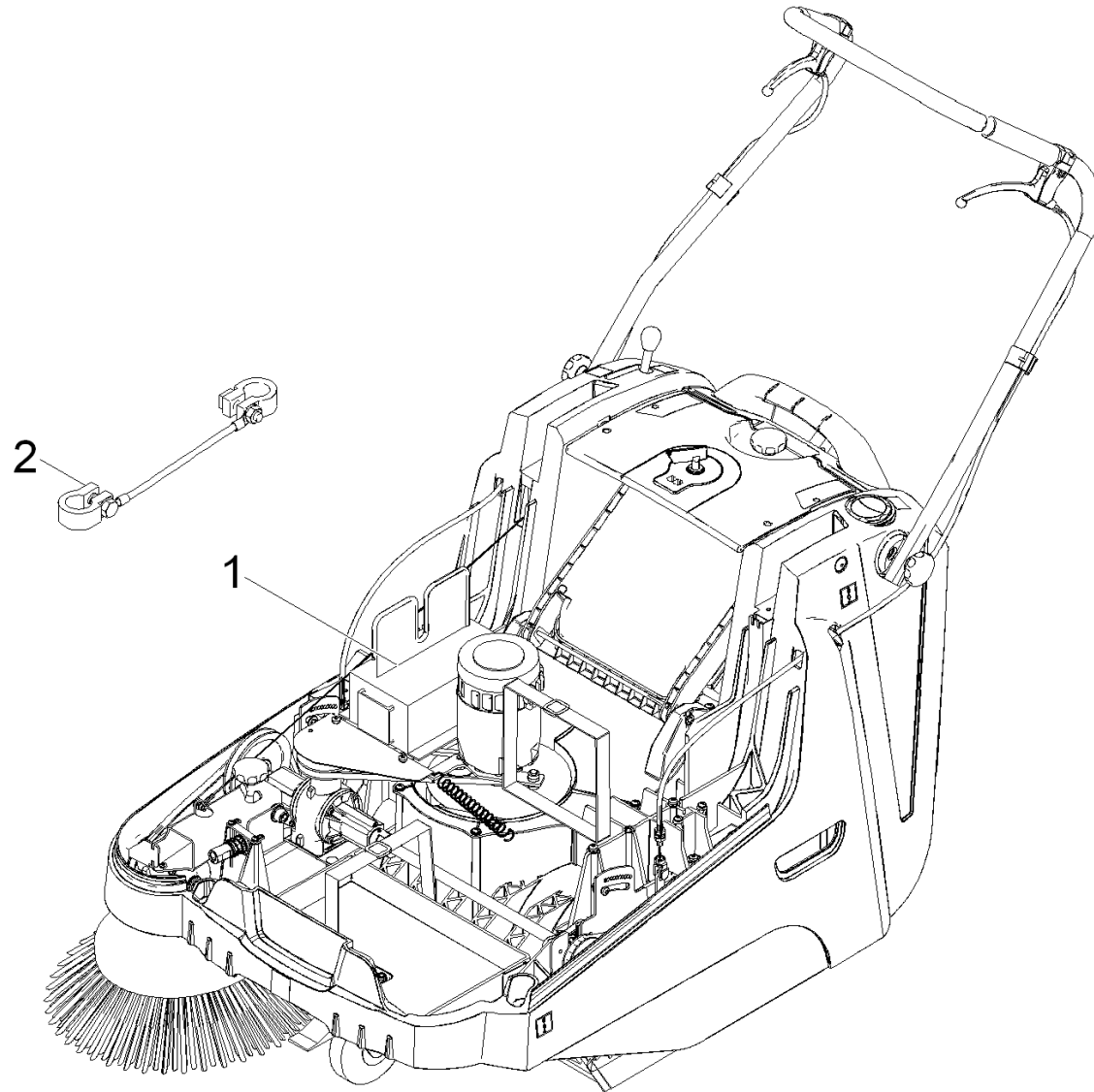
9.0 ABS carpet sweep unit



9.0 ABS carpet sweep unit

POS	DESCRIPTION ADDITIONAL INFORMATIONS	PART NO	QTY.	FROM SER.NR.	UP TO SER. NR.
1	Screw 6x20 -10.9-R2R (In6Rd)	73031120	4		
2	Castor complete	45152970	1		
3	Reversing rolling mill antistatic	69069500	1		
4	Plate	50096090	1		

10.0 Battery



10.0 Battery

POS	DESCRIPTION ADDITIONAL INFORMATIONS	PART NO	QTY.	FROM SER.NR.	UP TO SER. NR.
1	Battery charger KFI /60Hz (62 Discover W 1.049-202.0	66542620	1		
2	Cable complete 1.049-202.0	66478740	1		