



Spare parts list

(10472030) RRB 360 inch RIDER BATTERY

2008 03

59708920

EN

CONTENT LIST

1.0 Basic machinery

1.1 Basic machinery individual parts

1.2 Cover battery

2.0 Steering

3.0 Pedal

3.1 Pedal bulk waste flap

3.2 Pedal battery

4.0 Filter box

5.0 Sweep roller chest

6.0 Control panel

7.0 Transmission battery

8.0 Battery box completely

9.0 Side broom right

10.0 Electronics battery

11.0 Accessories

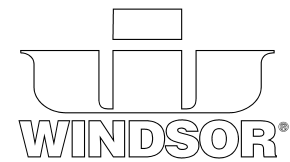
11.1 ABS side broom left

11.2 ABS revolving signal light

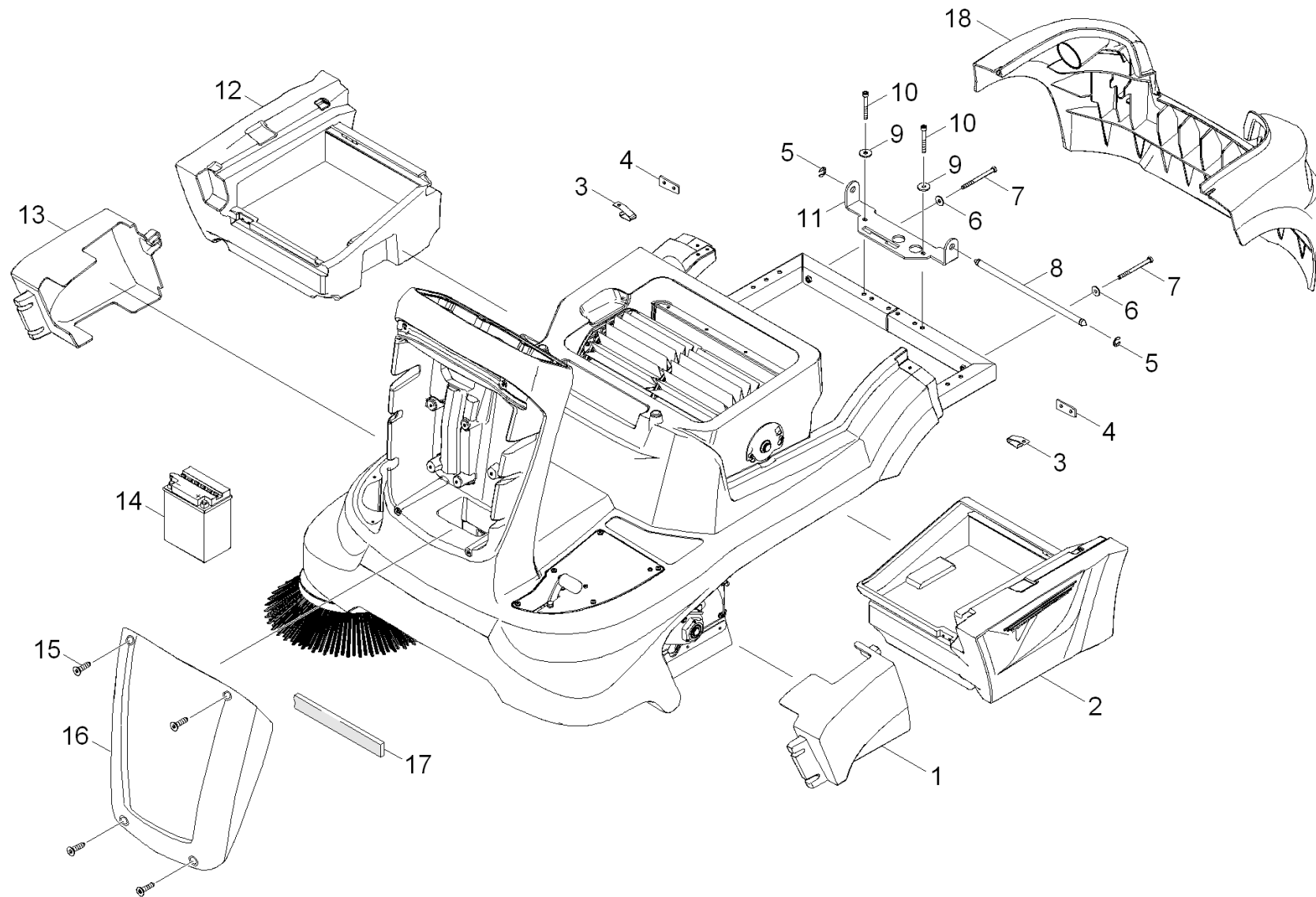
1.0 Basic machinery

1.1 Basic machinery individual parts

1.2 Cover battery



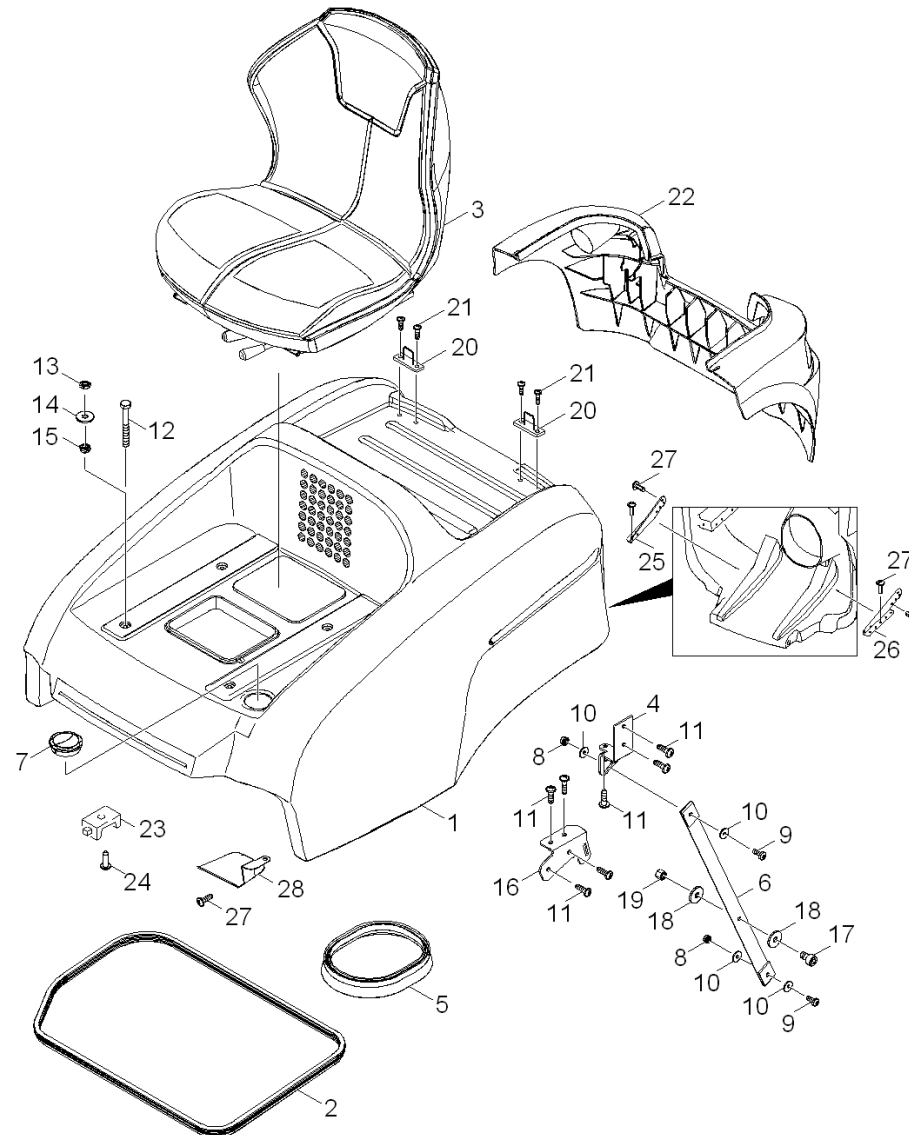
1.1 Basic machinery individual parts



1.1 Basic machinery individual parts

POS	DESCRIPTION ADDITIONAL INFORMATIONS	PART NO	QTY.	FROM SER.NR.	UP TO SER. NR.
1	Covering side left	50332130	1		
2	Sweep tank left KM 90/60 R	50331650	1		
3	Plate spring stop	53370310	2		
4	Plate locking bar sweep tank	50094180	4		
5	Lock washer 12-St-A2E DIN 6799	73433060	2		
6	Washer 8 -A2 ISO 7093-1	73122890	2		
7	Hexagonal head screw M 8X100-A4-70 ISO	73040330	2		
8	Bearing pin cover KM90/60R	53172300	1		
9	Washer 8 -100HV-A3E ISO 7094	73122610	2		
10	Cylinder head screw M8x65 -8.8-A2E ISO4	73061510	2		
11	Sheet metal component hinge cover	50616270	1		
12	Sweep tank right KM 90/60 R	50331660	1		
13	Covering side right	50332140	1		
14	BATTERY	69701470	1		
15	Oval head screw M 5X12	63041210	4		
16	Cover front panel RRB 360	50643070	1		
17	Profile gasket TO ORDER AS CUT GOODS	63653710	1		
18	Covering rear KM 90/60 R P	50331640	1		

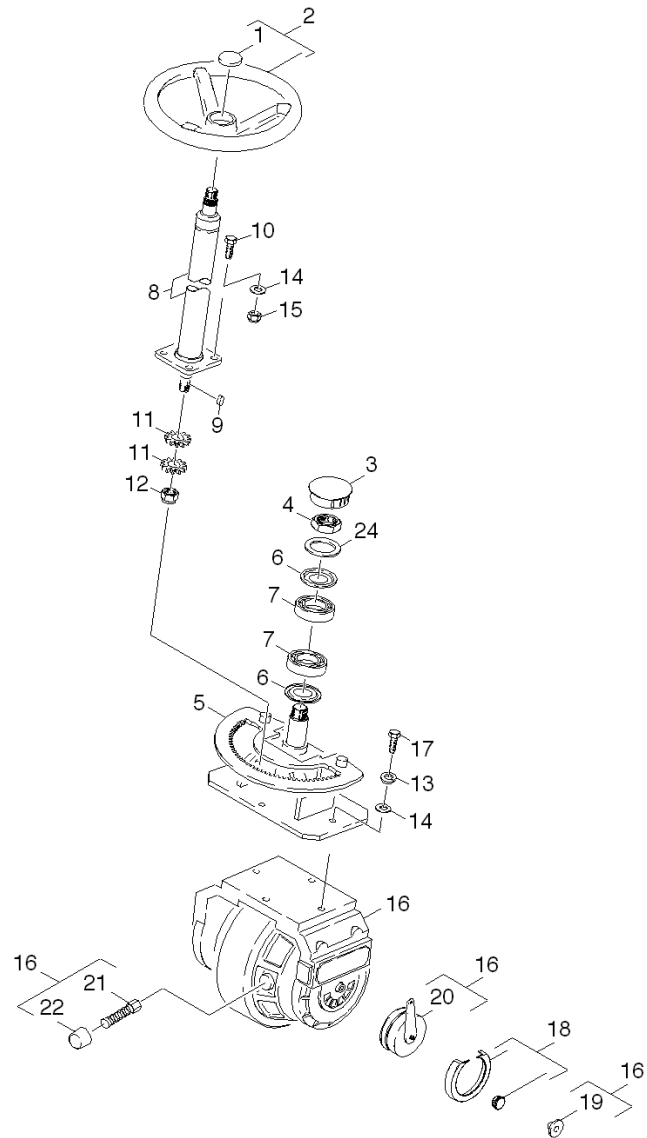
1.2 Cover battery



1.2 Cover battery

POS	DESCRIPTION ADDITIONAL INFORMATIONS	PART NO	QTY.	FROM SER.NR.	UP TO SER. NR.
1	Cover RRB 360	50692610	1		
2	Sealing profile	63660430	1		
3	Seat COBO PS48	63946010	1		
4	Sheet metal component snap in cover rod	50616310	1		
5	Sealing profile	63655100	1		
6	Belt strap cover support	63739350	1		
7	Air flap	64158960	1		
8	Hexagon nut M 5-04-A2E ISO 10511	73114210	2		
9	Cylinder head screw M5x12-4.8-A2E ISO 1	73064430	2		
10	Washer 5-100HV-A3E ISO 7094	73122640	4		
11	Screw 6x20 -10.9-R2R (In6Rd)	73031120	7		
12	Hexagonal head screw M8x65-8.8-A2E ISO	73044020	4		
13	Hexagon nut M 8-04-A2E ISO 4035	73112240	4		
14	Washer 8-200HV-A2E ISO7093-1	73122770	4		
15	Hexagon nut M8 -04-A2E ISO 10511	73114270	4		
16	Sheet metal component holder cover	50617300	1		
17	Cylinder head screw M8x12 -A2-70 ISO 47	73061190	1		
18	Washer 8 -100HV-A3E ISO 7094	73122610	2		
19	Cap nut M 8-5-A2J DIN 917	73113370	1		
20	Belt mounting eye	63710260	4		
21	Screw 4x12-A2-70 (IN6RD)	73031160	8		
22	Covering rear KM 90/60 R BAT	50332290	1		

2.0 Steering



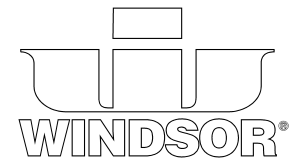
2.0 Steering

POS	DESCRIPTION ADDITIONAL INFORMATIONS	PART NO	QTY.	FROM SER.NR.	UP TO SER. NR.
1	Cap	63683610	1		
2	Steering wheel	64352530	1		
3	Cap	63682150	1		
4	Hexagon nut M24X1,5-22H-A2E DIN 936	73111220	1		
5	Wheel fork complete Bp	45201640	1		
6	RING WHEEL	64012630	2		
7	Angular contact ball bearing	64012600	2		
8	Steering KM 90/60 R	64392010	1		
9	Parallel key A5x5x10-C45R DIN 6885	73180900	1		
10	Hexagonal head screw M10x20-8.8-A3E ISO	73044140	4		
11	GEAR WHEEL	53520000	2		
12	Hexagon nut M16x1,5 -8-A2E ISO10512	73110590	1		
13	Spring washer A10-FST DIN 128	73130300	4		
14	Washer 10-200HV-A3E ISO 7090	73120050	4		
15	Hexagon nut M10 -04-A2E ISO 10511	73114230	4		
16	Wheel drive motor	66130590	1		
17	Hexagonal head screw M10x25-8.8-A3E ISO	73044150	4		
18	Set dust protection KM 100/100	40406450	1		
19	WASHER	63943910	1		
20	Brake adjustable complete	44670020	1		
21	CARBON BRUSH SET	66102110	1		
22	Cap with bayonet	69619010	1		
24	Washer 24 -200HV-A3E ISO 7090	73120100	1		

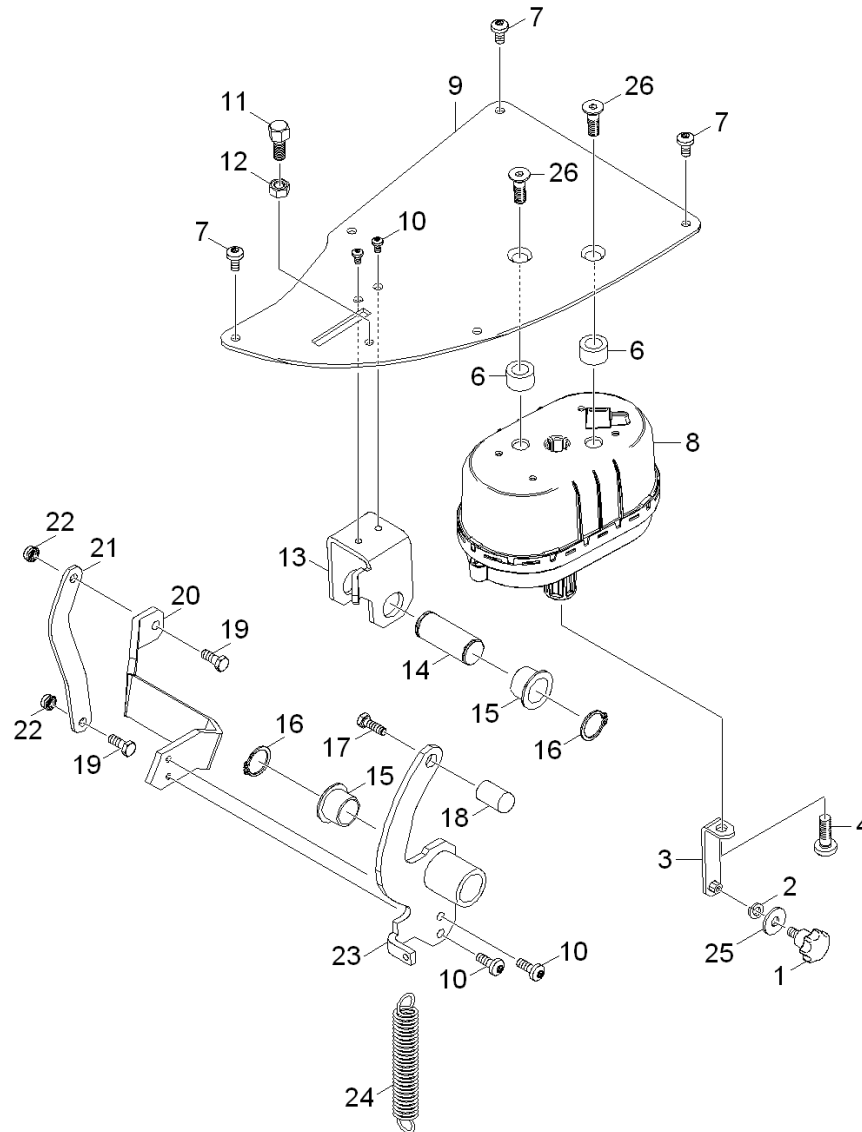
3.0 Pedal

3.1 Pedal bulk waste flap

3.2 Pedal battery



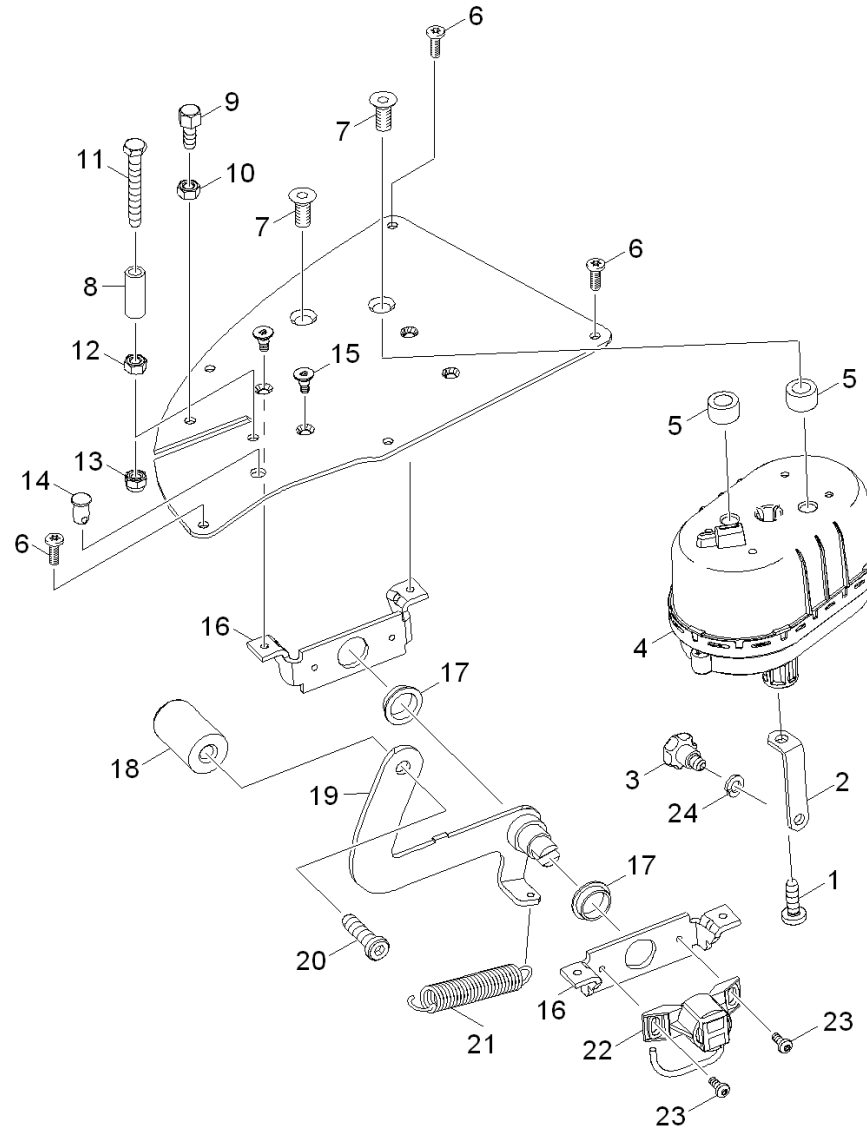
3.1 Pedal bulk waste flap



3.1 Pedal bulk waste flap

POS	DESCRIPTION ADDITIONAL INFORMATIONS	PART NO	QTY.	FROM SER.NR.	UP TO SER. NR.
1	Star grip M5x10	63211960	1		
2	Spring washer B 5-FSt-A3E DIN 127	73130020	1		
3	Lever lifting reversing rolling mill	40407090	1		
4	Screw M8x25 -A4-70 (In6Rd)	73062300	1		
6	Bush	51122420	2		
7	Screw M6x12 -8.8-R2R (In6Rd)	73060890	3		
8	Vacuum diaphragm unit oval lift 45 mm	64213310	1		
9	Plate plate pedal	50091840	1		
10	Screw M6x16 -8.8-R3R (In6Rd)	73060900	4		
11	Bolt adjustment bulk waste flap	53172530	1		
12	Hexagon nut M8 -8-R2R ISO 4032	73110930	1		
13	Sheet metal component holder pedal	50614490	1		
14	Bolt pedal GSK	53172110	1		
15	PLAIN BEARING	64030470	2		
16	Locking ring 20x1,2-FST-RF DIN 471	73430070	2		
17	Screw M10x35-A2-70 DIN 7984	73062240	1		
18	Handhold	53217010	1		
19	Hexagonal head screw M 6x16-A4-70 ISO 4	73045210	2		
20	Sheet metal component lever GSK	50614480	1		
21	Sheet metal component connection GSK-Ped	50614420	1		
22	Hexagon nut M6 -04-A2E ISO 10511	73114250	2		
23	Sheet metal component complete pedal GSK	40406170	1		
24	EXTENSION SPRING	63300910	1		
25	Washer 5-100HV-A3E ISO 7094	73122640	1		
26	Countersunk screw M8x25 -8.8-R3R ISO 10	73051040	2		

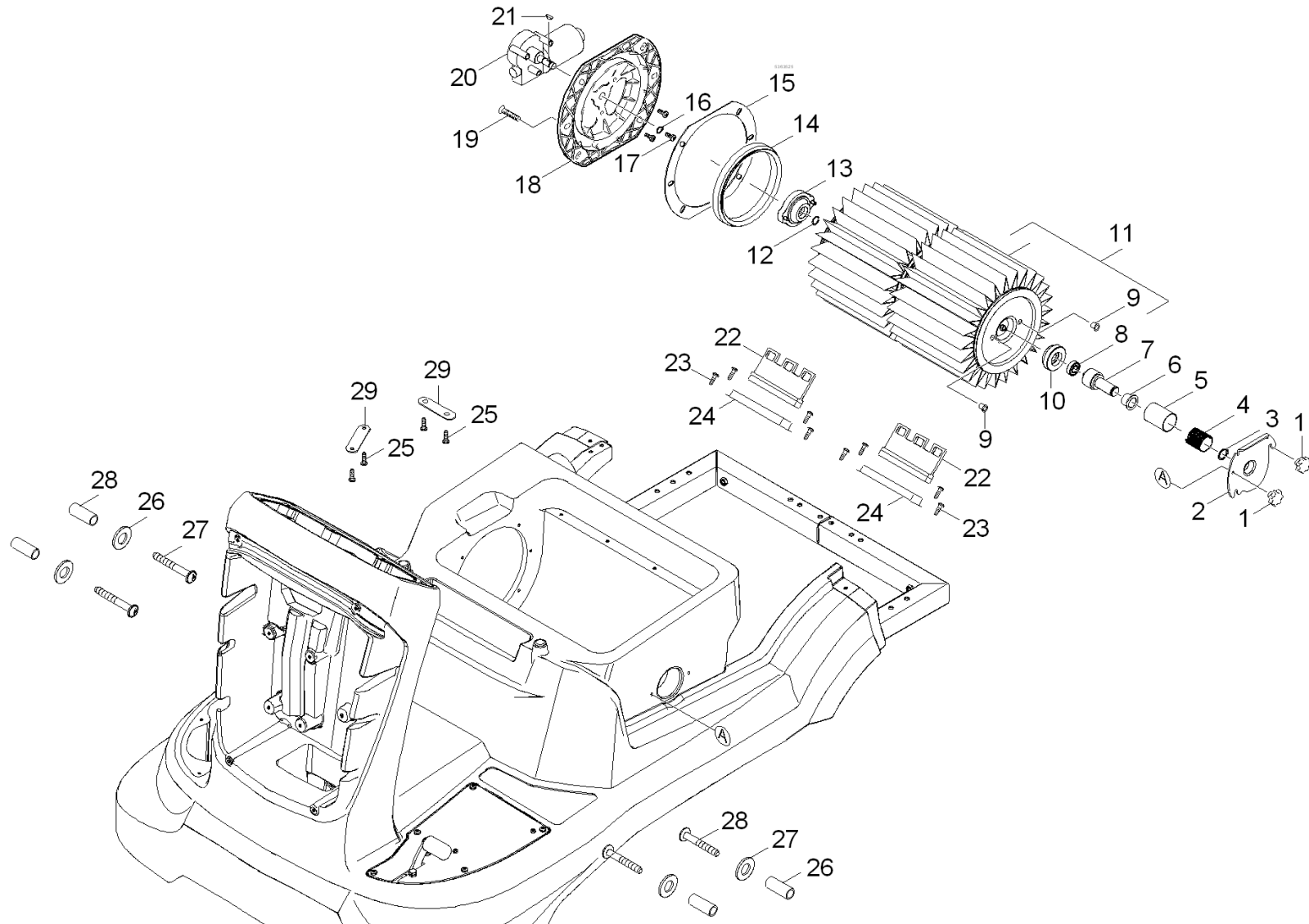
3.2 Pedal battery



3.2 Pedal battery

POS	DESCRIPTION ADDITIONAL INFORMATIONS	PART NO	QTY.	FROM SER.NR.	UP TO SER. NR.
1	Screw M8x25 -A4-70 (In6Rd)	73062300	1		
2	Lever lifting reversing rolling mill	40407090	1		
3	Star grip M5x10	63211960	1		
4	Vacuum diaphragm unit oval lift 45 mm	64213310	1		
5	Bush	51122420	2		
6	Screw M6x12 -8.8-R2R (In6Rd)	73060890	3		
7	Countersunk screw M8x25 -8.8-R3R ISO 10	73051040	2		
8	Bush	51125640	1		
9	Bolt adjustment bulk waste flap	53172530	1		
10	Hexagon nut M8 -8-R2R ISO 4032	73110930	1		
11	Screw M8x60 -8.8-R3R (In6Rd)	73061480	1		
12	Hexagon nut M8 -8-A3E ISO 4032	73110040	1		
13	Hexagon nut M 8-8-A2E ISO 7040	73115100	1		
14	Bolt power brush	53170860	1		
15	Countersunk screw M6x12 -8.8-R2R (In6Rd)	73050300	4		
16	Sheet metal component bearing pedal KM90	50618040	2		
17	PLAIN BEARING 20/28	64030310	2		
18	Handhold	53217010	1		
19	Sheet metal component pedal completely K	40407300	1		
20	Screw M10x35-A2-70 DIN 7984	73062240	1		
21	EXTENSION SPRING	63300910	1		
22	Tachograph sensor B	66003000	1		
23	Cylinder head screw M5x12-4.8-A2E ISO 1	73064430	2		
24	Washer 5-200HV-A3E ISO 7090	73120020	1		

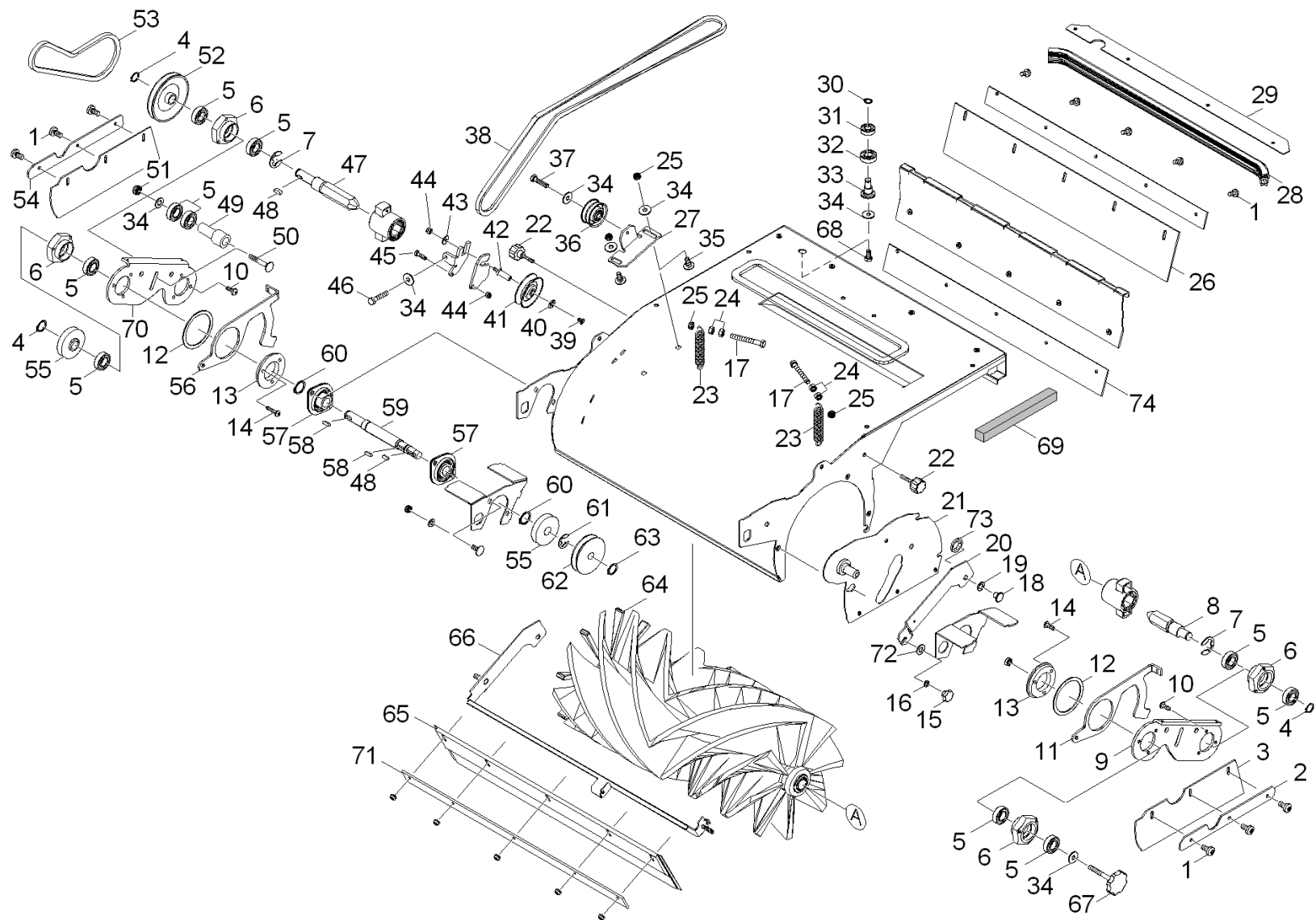
4.0 Filter box



4.0 Filter box

POS	DESCRIPTION ADDITIONAL INFORMATIONS	PART NO	QTY.	FROM SER.NR.	UP TO SER. NR.
1	Star grip M 6X10	63211230	2		
2	Plate holder filter circle	50094190	1		
3	Locking ring 20x1,2-FST-RF DIN 471	73430070	1		
4	HELICAL SPRING	53324750	1		
5	Hose	63905840	1		
6	PLAIN BEARING	64030470	1		
7	Shaft bearing filter circle	51056200	1		
8	Ball bearing 6001-2RS -WAEZLAGST DIN 6	74011110	1		
9	Cap	63683180	2		
10	CARRIER	54740170	1		
11	Filter element with cap only for replace	44140100	1		
12	Snap ring A12 -FST DIN 7993	73430240	1		
13	Carrier	50317390	1		
14	SEAL	53635260	1		
15	SEAL	53635250	1		
16	Locking ring 12x1-Rf-St DIN 471	73430030	1		
17	Screw M6x16 -8.8-R3R (In6Rd)	73060900	3		
18	FLANGE	51223760	1		
19	Screw M 8x12-ST-A2E DIN 7500-1	63030350	6		
20	Gear motor 24V	66130480	1		
21	Curved washer 3x3,7-C45R DIN 6888	73182040	1		
22	Stripper	50313440	2		
23	Screw 3,5x12 -A2-70-bk (In6Rd)	73031020	8		
24	Sheet metal component	50477360	2		
25	Screw 5x20 -10.9-R2R (In6Rd)	73031080	10		
26	Washer 6 -100HV-A3E ISO 7094	73122600	4		
27	Screw M 4X 20-A2-70 (In6Rd)	73062090	4		
28	Spacer sleeve	51128050	4		
29	Plate fixing cable	50094260	2		

5.0 Sweep roller chest



5.0 Sweep roller chest

POS	DESCRIPTION ADDITIONAL INFORMATIONS	PART NO	QTY.	FROM SER.NR.	UP TO SER. NR.
1	Screw M6x12 -8.8-R2R (In6Rd)	73060890	14		
2	Plate apron left	50093730	1		
3	Skirting side	53948330	2		
4	Locking ring 17x1-St-ph DIN 471	73430060	3		
5	Ball bearing 6003-2RS Wälzl.St DIN 625	74011050	10		
6	Flange cast	51221890	4		
7	Locking ring 19 -FST-PHR DIN 6799	73430730	2		
8	Shaft carrier left	51055880	1		
9	Sheet metal component lever	50614300	2		
10	Screw M6x16 -St-R3R (In6Rd)	73030470	6		
11	Sheet metal component left	50614320	1		
12	Thrust washer	64030580	2		
13	Ring	51145360	2		
14	Screw M6x30 -St-R3R (In6Rd)	73030660	6		
15	HANDLE	63211630	1		
16	Spring washer B 5-FSt-A3E DIN 127	73130020	1		
17	Hexagonal head screw M8x65-8.8-A2E ISO	73044020	2		
18	Bolt	53163200	2		
19	Washer 10 -CuZn ISO 7092	73120740	2		
20	Sheet metal component bulk waste flap le	50614270	1		
21	Sheet metal component sweep roller chang	40407020	1		
22	Star grip M6X30	63211460	2		
23	EXTENSION SPRING	63301420	2		
24	Hexagon nut M8 -8-A3E ISO 4032	73110040	4		
25	Hexagon nut M8 -04-A2E ISO 10511	73114270	2		
26	Rear skirting	53948340	1		
27	Sheet metal component deflection pulley	50614280	1		
28	Sealing profile	63653750	1		
29	Plate blank holder seal	50096100	1		
30	Locking ring 12x1-Rf-St DIN 471	73430030	1		
31	Ball bearing 6001-2RS -WAELZLAGST DIN 6	74011110	1		
32	Ball bearing 6002-2RS -WAELZLAGST DIN 62	74011150	1		

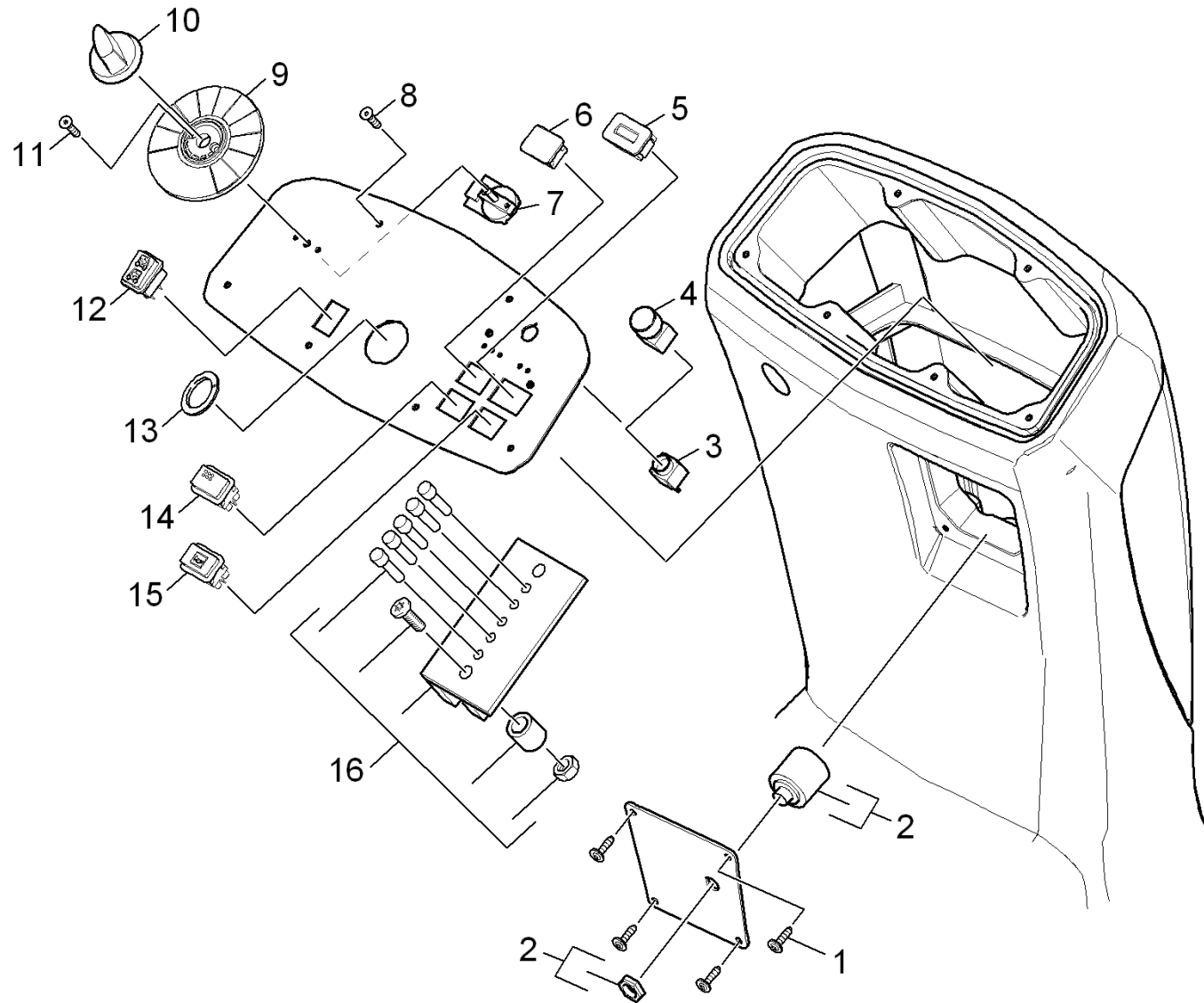
5.0 Sweep roller chest

POS	DESCRIPTION ADDITIONAL INFORMATIONS	PART NO	QTY.	FROM SER.NR.	UP TO SER. NR.
33	Bolt	53172100	1		
34	Washer 8-200HV-A2E ISO7093-1	73122770	7		
35	Saucer-head screw M8x20 -8.8-A2E DIN603	73032300	1		
36	DEFLECTION PULLEY	63482760	1		
37	Hexagonal head screw M 8x35-8.8-A2E IS	73044060	1		
38	Large V-belt XPZ LW1500	63484490	1		
39	Countersunk screw M6x12 -8.8-R2R (In6Rd	73050300	1		
40	Washer	51153610	1		
41	Deflection pulley	63482970	1		
42	Bolt bearing deflection pulley	53172290	1		
43	Washer 6 -200HV-A2E ISO7093-1	73122760	1		
44	Hexagon nut M 6-8-A2E ISO 7040	73115120	2		
45	Hexagonal head screw M 6x20-A4-70 ISO 4	73045360	1		
46	Hexagonal head screw M 8x45-8.8-A2E ISO	73044070	1		
47	Shaft carrier right	51055870	1		
48	Parallel key 5x5x14-C45R DIN 6885	73180650	2		
49	Sleeve spacer belt stretcher	51110620	1		
50	Saucer-head screw M8x55-ST-A0P DIN 603	73031650	1		
51	Hexagon nut M 8-8-A2E ISO 7040	73115100	1		
52	PULLEY	56253800	1		
53	Large V-belt X10 LW 622	63484480	1		
54	Plate apron right	50093720	1		
55	Belt pulley	56254890	2		
56	Sheet metal component right	50614310	1		
57	FLANGED BEARING	64012310	2		
58	Parallel key 5x5x16 -C45R DIN 6885-1	73180020	2		
59	Shaft	51055860	1		
60	Locking ring 20x1,2 -St-ph DIN 471	73430400	2		
61	Lock washer 15 -A2 DIN 6799	73433040	1		
62	Belt pulley	56254770	1		
63	Locking ring 15x1-FST-PHR DIN 471	73430040	1		
64	Reversing rolling mill complete KM 90 /6	47624300	1		

5.0 Sweep roller chest

POS	DESCRIPTION ADDITIONAL INFORMATIONS	PART NO	QTY.	FROM SER.NR.	UP TO SER. NR.
65	Skirting front	53948320	1		
66	Sheet metal component bulk waste flap kp	40407010	1		
67	CONTROL KNOB M8X60	63211470	1		
68	Hexagonal head screw M8x16-8.8-A2E ISO	73043950	1		
69	Profile gasket	63653710	1		
70	Sheet metal component lever	50614300	1		
71	Plate holder skirting	50095730	1		
72	Washer 6 -100HV-A3E ISO 7094	73122600	1		
73	Quick-fastener	63431490	2		
74	Skirting sweep roller chest rear	53948430	1		

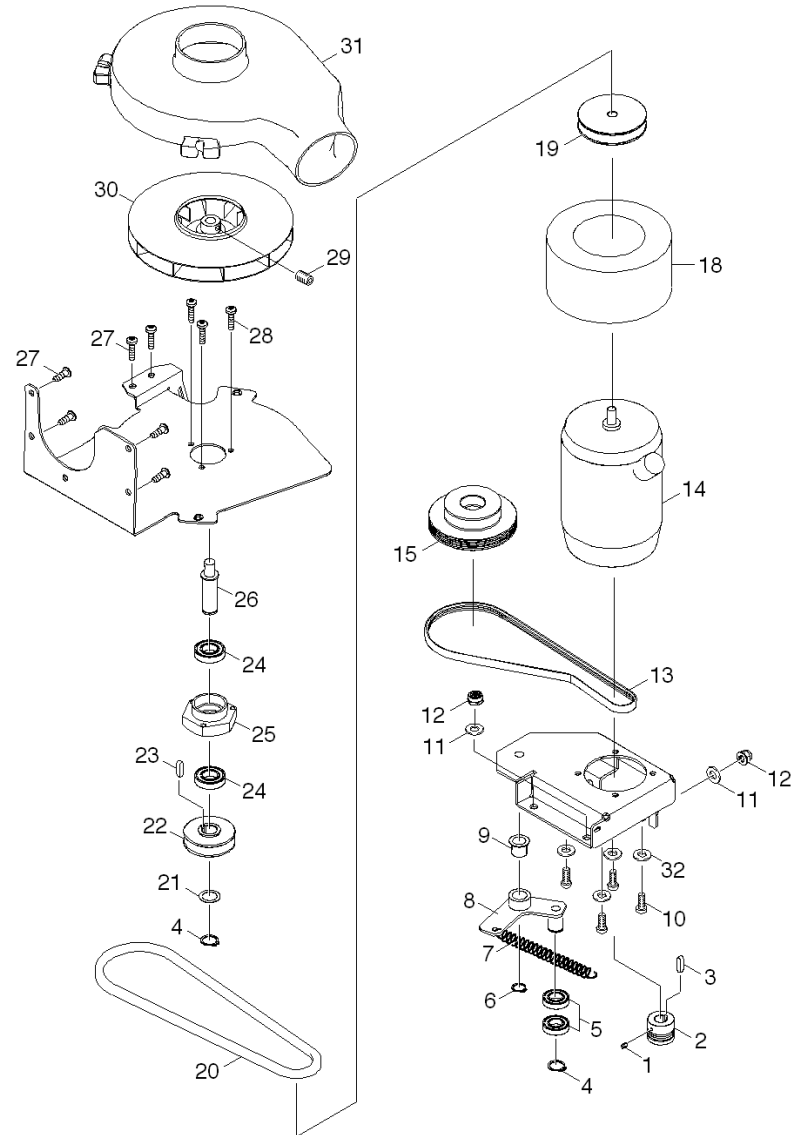
6.0 Control panel



6.0 Control panel

POS	DESCRIPTION ADDITIONAL INFORMATIONS	PART NO	QTY.	FROM SER.NR.	UP TO SER. NR.
1	Screw 5x20-Sonder In6Rd+Spitze	63031250	4		
2	KEY SWITCH	66301060	1		
3	Switch	66001140	1		
4	Pushbutton emergency stop	66001130	1		
5	Houer counter 5-80V	66811080	1		
6	Blind plug	66317360	1		
7	Switch program selection	66303870	1		
8	Screw 5x20-Sonder In6Rd+Spitze	63031250	6		
9	Moulded part symbol washer RRB 360	50334090	1		
10	Handhold operational concept	53217380	1		
11	Countersunk screw M4x16 -8.8-R2R (In6Rd	73050190	2		
12	Switch 2-polig Fahrtrichtung	66323670	1		
13	Edge protection	63681060	1		
14	Pushbutton filter cleaning	66324020	1		
15	Pushbutton two-pole hooter	66323660	1		
16	Set control panel circuit board	28850570	1		

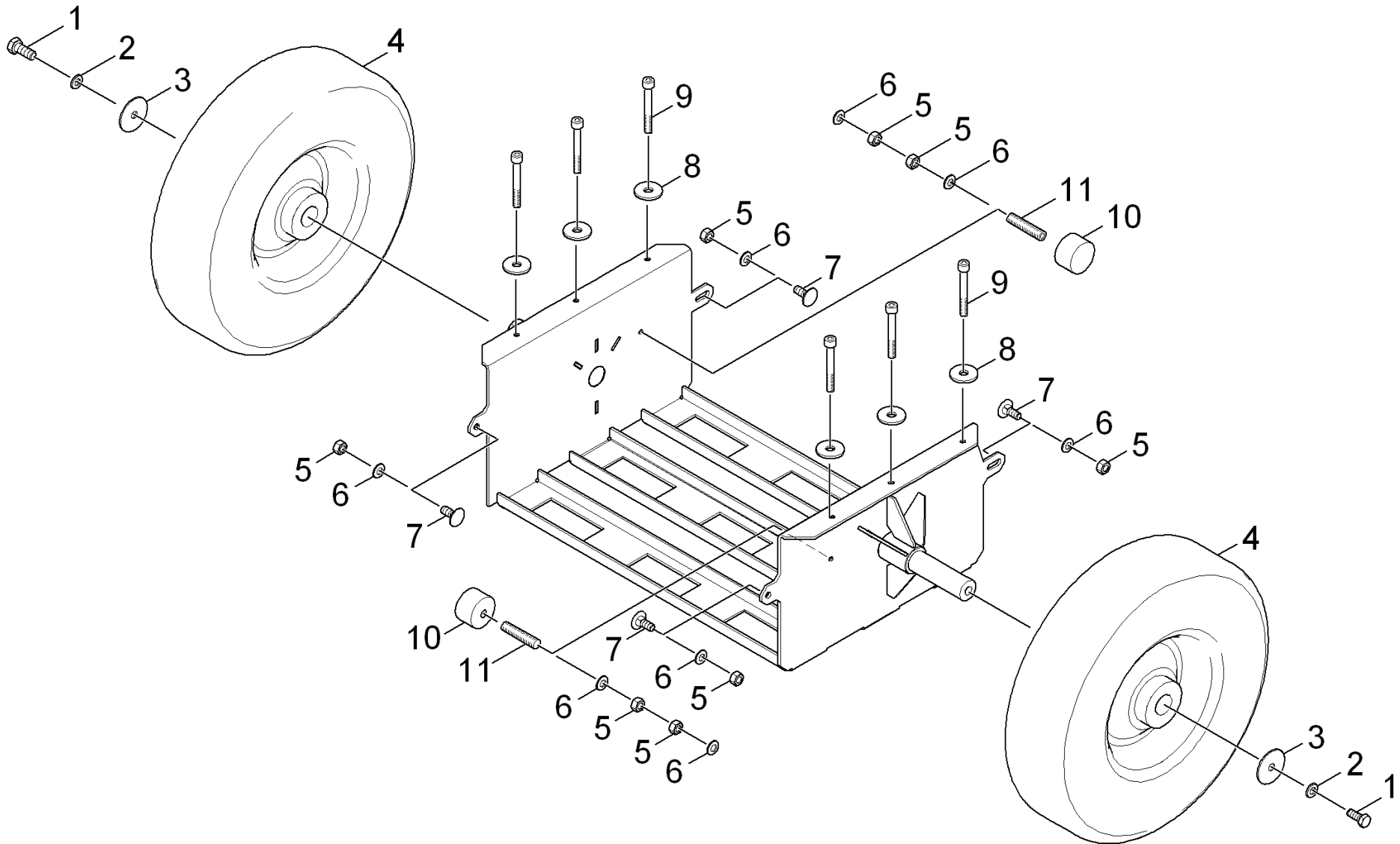
7.0 Transmission battery



7.0 Transmission battery

POS	DESCRIPTION ADDITIONAL INFORMATIONS	PART NO	QTY.	FROM SER.NR.	UP TO SER. NR.
1	Threaded pin M4x6 -A2-21H ISO 4028	73073040	1		
2	Belt pulley transmission motor Bp	56254850	1		
3	Parallel key 5x5x20-C45R DIN 6885-1	73180700	1		
4	Locking ring 17x1-St-ph DIN 471	73430060	2		
5	Ball bearing 16003-2RS-WST PREISW. DIN 6	74010220	2		
6	Locking ring 15x1-FST-PHR DIN 471	73430040	1		
7	EXTENSION SPRING	63301730	1		
8	Plate belt stretcher complete Bp	40407030	1		
9	Plain bearing	64030280	1		
10	Hexagonal head screw M 6x16-A4-70 ISO 4	73045210	4		
11	Washer 8 -200HV-A3E ISO 7090	73120040	4		
12	Hexagon nut M 8-8-A2E ISO 7040	73115100	4		
13	Ribbed band 4PJ L=660mm	63484520	1		
14	Direct current motor	66130280	1		
15	Belt pulley sweep roller chest Bp	56254860	1		
16	Hexagon nut M 5-04-A2E ISO 10511	73114210	1		
17	Screw M5x25 -8.8-R2R (In6Rd)	73060790	1		
18	Ring	45700090	1		
19	Belt pulley transmission blower Bp	56254870	1		
20	Round belt d=8 L=600mm	63484530	1		
21	Shim ring 17x24x0,5 -A2 DIN 988	73430790	1		
22	Belt pulley blower wheel Bp	56254880	1		
23	Parallel key 5x5x12 -C45R DIN 6885-1	73180840	1		
24	Ball bearing 6003-2RS Wälzl.St DIN 625	74011050	2		
25	Flange cast	51221890	1		
26	Shaft holder blower Bp	51056220	1		
27	Screw 6x20 -10.9-R2R (In6Rd)	73031120	7		
28	Screw M6x16 -St-R3R (In6Rd)	73030470	3		
30	Blower wheel	64840430	1		
31	Housing cover blower KM90/60R	50333210	1		
32	Washer 6 -200HV-A2E ISO7093-1	73122760	4		

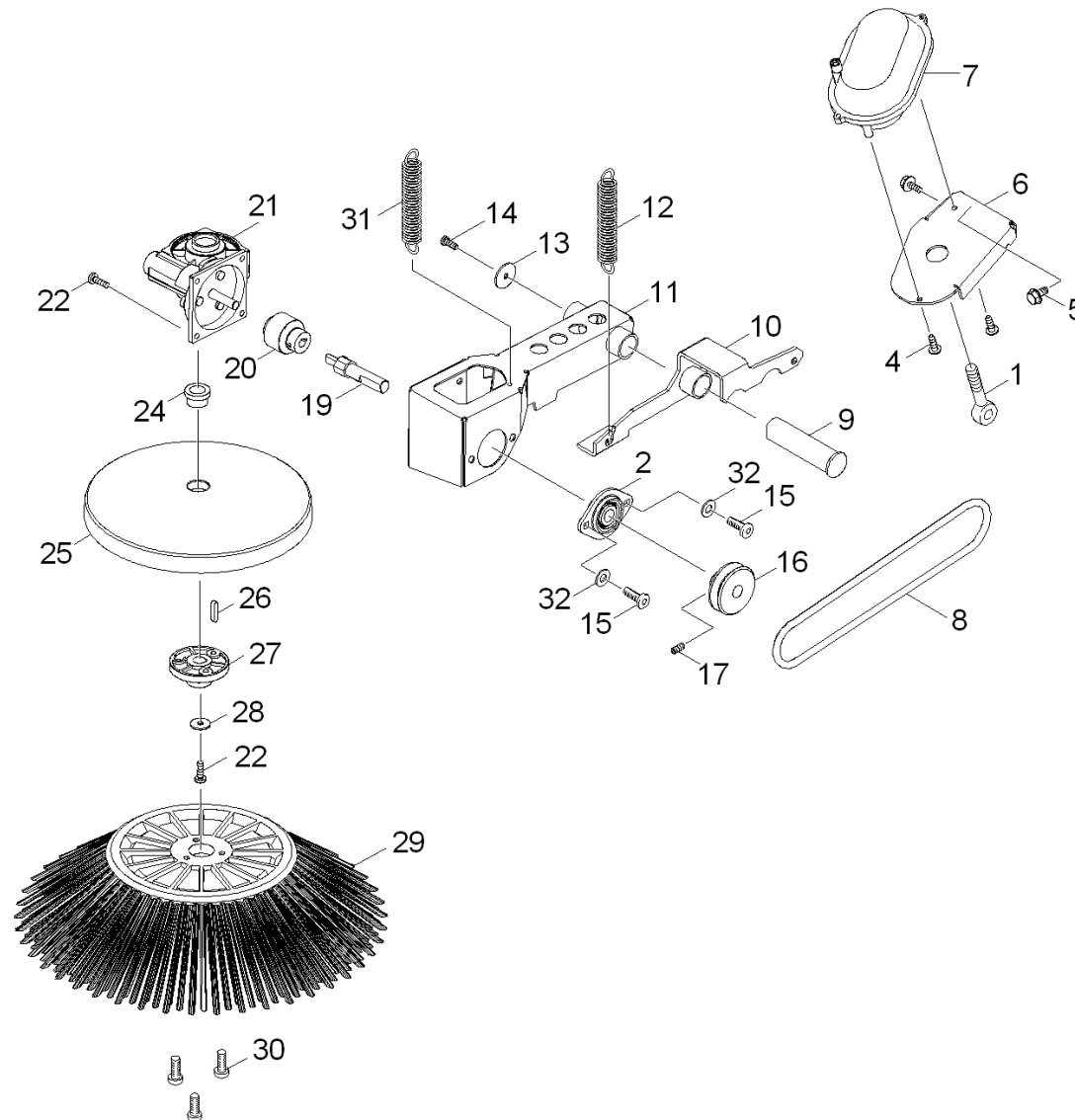
8.0 Battery box completely



8.0 Battery box completely

POS	DESCRIPTION ADDITIONAL INFORMATIONS	PART NO	QTY.	FROM SER.NR.	UP TO SER. NR.
1	Hexagonal head screw M10x25-A4-70 ISO 4	73048010	2		
2	Washer	51160600	2		
3	Washer 10 -A2 ISO 7090	73120660	2		
4	Wheel solid rubber non-chalking	64356980	1		
4	Wheel 4.00-8, 6PR	64357800	2		
5	Hexagon nut M8 -8-A3E ISO 4032	73110040	4		
6	Washer 8 -200HV-A3E ISO 7090	73120040	4		
7	Saucer-head screw M8x20 -St-A0P DIN 603	73032040	4		
8	Washer 8 -100HV-A3E ISO 7094	73122610	6		
9	Cylinder head screw M8x65 -8.8-A2E ISO4	73061510	6		
10	Rubber buffer	63390650	2		
11	Threaded pin M8x50-St-45H-A2E ISO 4026	73070150	2		

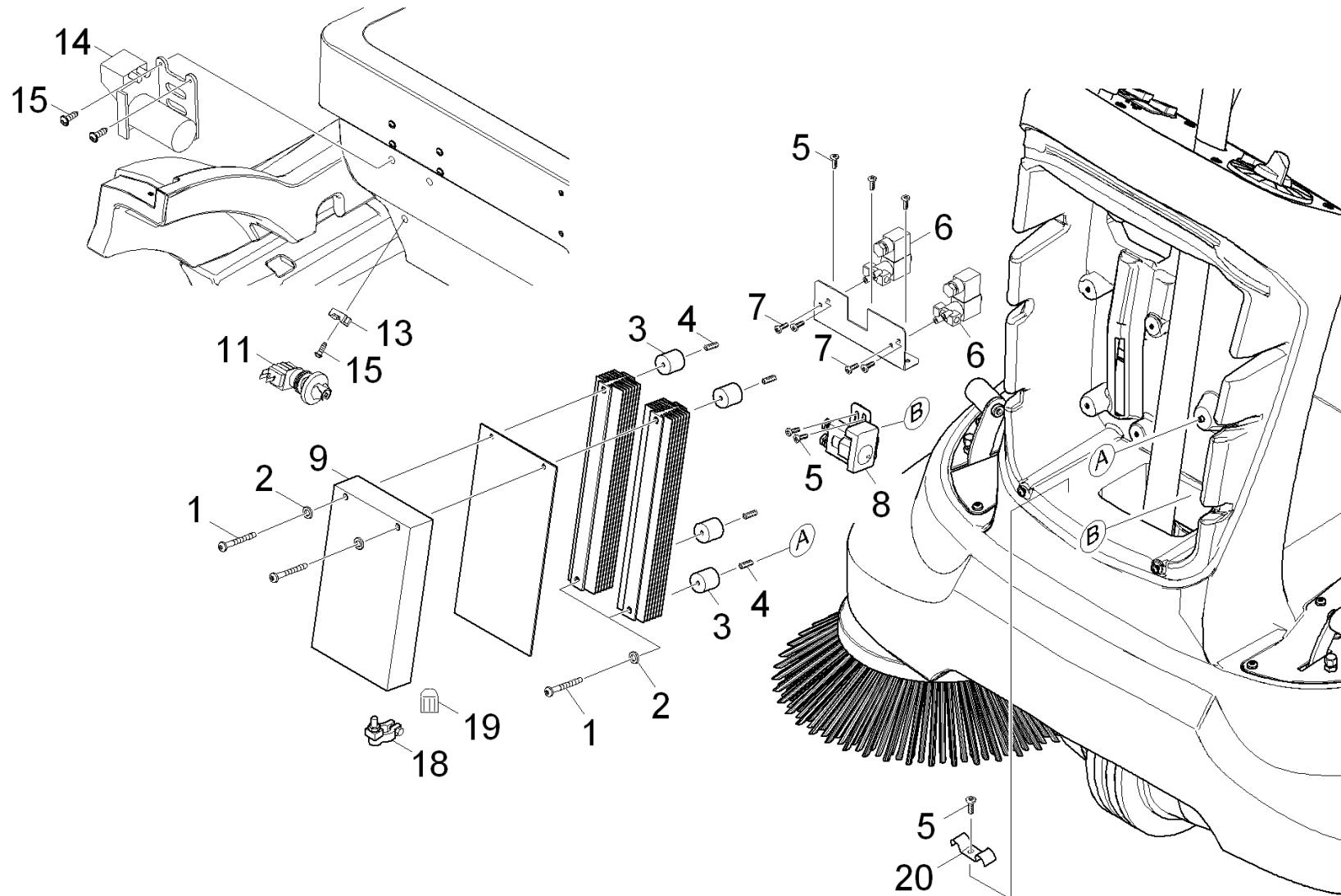
9.0 Side broom right



9.0 Side broom right

POS	DESCRIPTION ADDITIONAL INFORMATIONS	PART NO	QTY.	FROM SER.NR.	UP TO SER. NR.
1	Eye screw LBM 8x30-1.4571 DIN 444	73032620	1		
2	Flanged bearing	64012420	1		
4	Screw 5x16 -10.9-P2R (K-In6Rd)	73031070	2		
5	Screw M 8x16-ST-A2R DIN 7500-1	63030310	2		
6	Sheet metal component vacuum diaphragm u	50614100	1		
7	Vacuum diaphragm unit oval lift 45 mm	64213310	1		
8	Round belt	63484090	1		
9	Shaft bearing side brush	51055910	1		
10	Sheet metal component lifting right	40406150	1		
11	Sheet metal component side brush right	40406140	1		
12	Extension spring	63302000	1		
13	WASHER	51151500	1		
14	Screw M 6x16-A2-70 DIN 7984	73060310	1		
15	Screw M6x20-ST- 8.8-A3R (IN6RD)	73060920	2		
16	PULLEY	56253600	1		
17	Threaded pin M 6X 14-45H ISO 4029	73073520	1		
19	Shaft transmission side brush	51055900	1		
20	COUPLER	64650200	1		
21	WORM GEARING	64540560	1		
22	Screw M6x20-ST- 8.8-A3R (IN6RD)	73060920	5		
24	Sleeve	51107030	1		
25	Rejecting plate	50642520	1		
26	Parallel key A 5x5x25-C45R DIN 6885	73180790	1		
27	Hub	51203050	1		
28	Washer 6 -100HV-A3E ISO 7094	73122600	1		
29	Side broom	69056260	1		
30	Cylinder head screw M6x12-8.8-A2E DIN 6	73065000	3		
31	Extension spring	63300790	1		
32	Washer 6 -200HV-A2E ISO7093-1	73122760	2		

10.0 Electronics battery



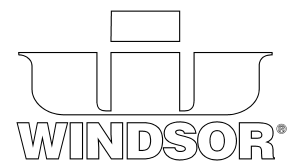
10.0 Electronics battery

POS	DESCRIPTION ADDITIONAL INFORMATIONS	PART NO	QTY.	FROM SER.NR.	UP TO SER. NR.
1	Screw M 6x55-A2-70 (IN6RD)	73062010	4		
2	Washer 6 -200HV-A3E ISO 7090	73120030	8		
3	Rubber buffer	63392080	4		
4	Threaded pin M 6X 14-45H ISO 4029	73073520	4		
5	Screw 5x20-Sonder In6Rd+Spitze	63031250	6		
6	Solenoid valve	64729790	2		
7	Screw M4x8 -St-P2R (In6Rd)	73030300	4		
8	Power relay	66333890	1		
9	Control system KM 90/60 R Bp/Pack	66829350	1		
11	Pressure switch	66353640	1		
13	Holder	66486020	1		
14	Pump	64740370	1		
15	Screw 5x16 -10.9-P2R (K-In6Rd)	73031070	3		
19	Protecting cap black 1/4" PVC	63682940	1		
20	Cable clamp	66480770	2		

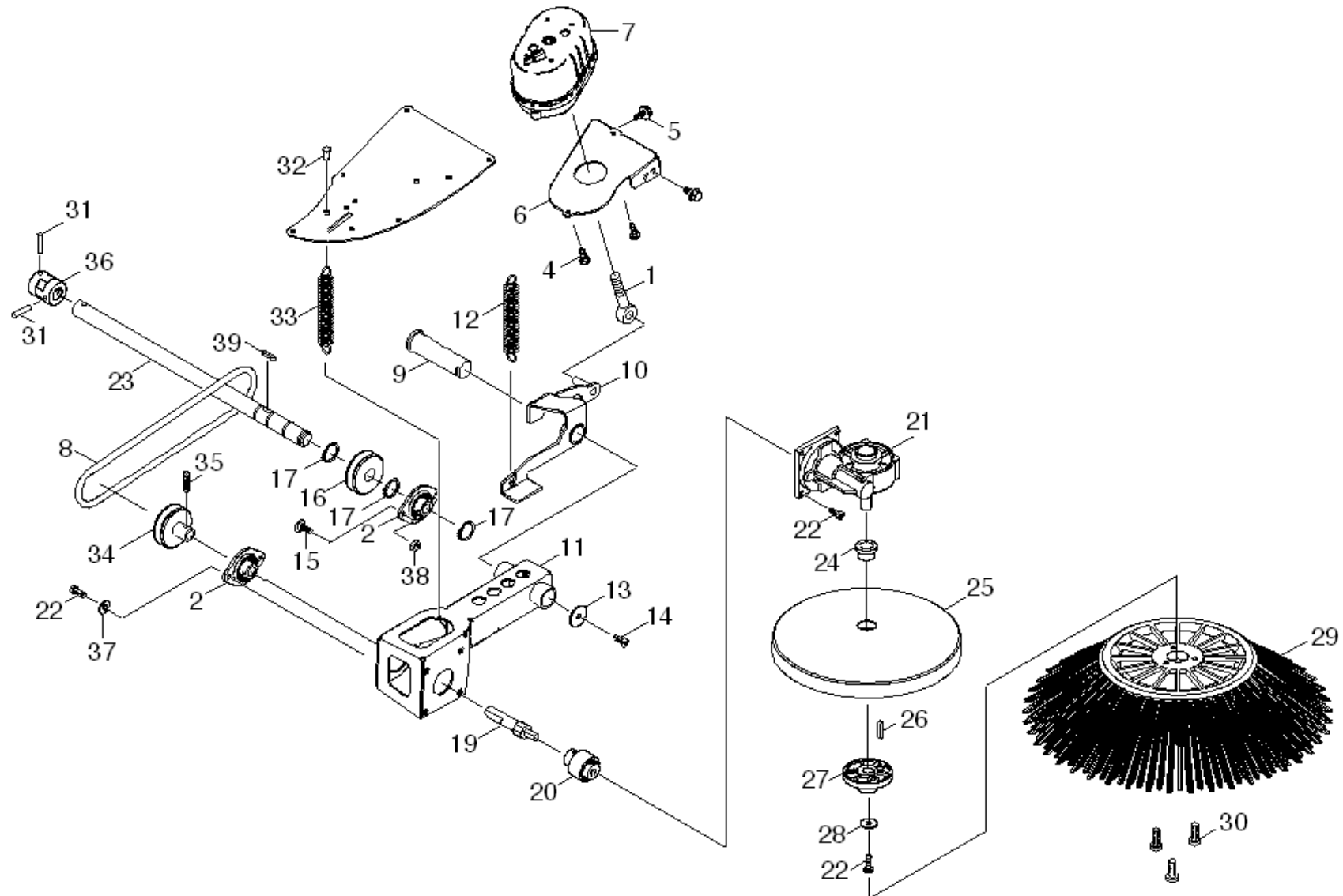
11.0 Accessories

11.1 ABS side broom left

11.2 ABS revolving signal light



11.1 ABS side broom left



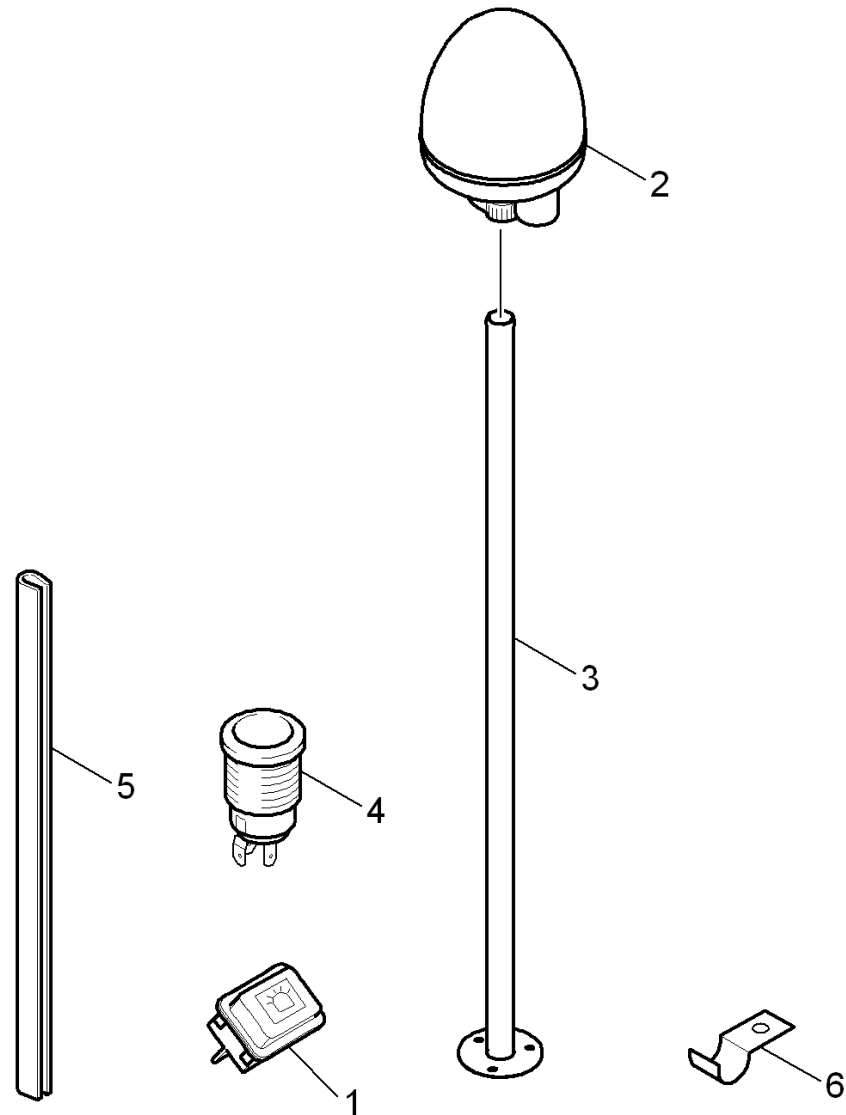
11.1 ABS side broom left

POS	DESCRIPTION ADDITIONAL INFORMATIONS	PART NO	QTY.	FROM SER.NR.	UP TO SER. NR.
1	Eye screw LBM 8x30-1.4571 DIN 444	73032620	1		
2	Flanged bearing	64012420	2		
3	Hexagon nut M8 -8-A3E ISO 4032	73110040	1		
4	Screw 5x16 -10.9-P2R (K-In6Rd)	73031070	2		
5	Screw M 8x16-ST-A2R DIN 7500-1	63030310	2		
6	Sheet metal component holder UDD links	50614440	1		
7	Vacuum diaphragm unit oval lift 45 mm	64213310	1		
8	Round belt	63484090	1		
9	Shaft bearing side brush	51055910	1		
10	Sheet metal component complete lifting S	40406930	1		
11	Sheet metal component side brush left	40407240	1		
12	Extension spring	63302000	1		
13	WASHER	51151500	1		
14	Screw M 6x16-A2-70 DIN 7984	73060310	1		
15	Saucer-head screw M6x20 -A2 DIN 603	73031390	2		
16	Belt pulley	56254770	1		
17	Locking ring 15x1-FST-PHR DIN 471	73430040	4		
19	Shaft transmission side brush	51055900	1		
20	COUPLER	64650200	1		
21	WORM GEARING	64540360	1		
22	Screw M6x20-ST- 8.8-A3R (IN6RD)	73060920	7		
23	Shaft transmission left SB	51056180	1		
24	Sleeve	51107030	1		
25	Rejecting plate	50642520	1		
26	Parallel key A 5x5x25-C45R DIN 6885	73180790	1		
27	Hub	51203050	1		
28	Washer 6 -100HV-A3E ISO 7094	73122600	1		
29	Side broom	69056260	1		
30	Cylinder head screw M6x12-8.8-A2E DIN 6	73065000	3		
31	PIN	64915570	2		
32	Bolt power brush	53170860	1		
33	Extension spring	63300790	1		

11.1 ABS side broom left

POS	DESCRIPTION ADDITIONAL INFORMATIONS	PART NO	QTY.	FROM SER.NR.	UP TO SER. NR.
34	PULLEY	56253600	1		
35	Threaded pin M 6X 14-45H ISO 4029	73073520	1		
36	Coupler	64650270	1		
37	Washer 6 -200HV-A2E ISO7093-1	73122760	2		
38	Hexagon nut M6 -04-A2E ISO 10511	73114250	2		
39	Parallel key 5x5x14-C45R DIN 6885	73180650	1		

11.2 ABS revolving signal light



11.2 ABS revolving signal light

POS	DESCRIPTION ADDITIONAL INFORMATIONS	PART NO	QTY.	FROM SER.NR.	UP TO SER. NR.
1	Switch two-pole revolving signal light	66323690	1		
2	Lamp	66515660	1		
3	Tube holder complete ABS RKL KM90/60R	40407350	1		
4	Socket	66463170	1		
5	Edge protection	63681060	1		
6	Clamp 1-6-W1-2 DIN 72571	73730000	3		