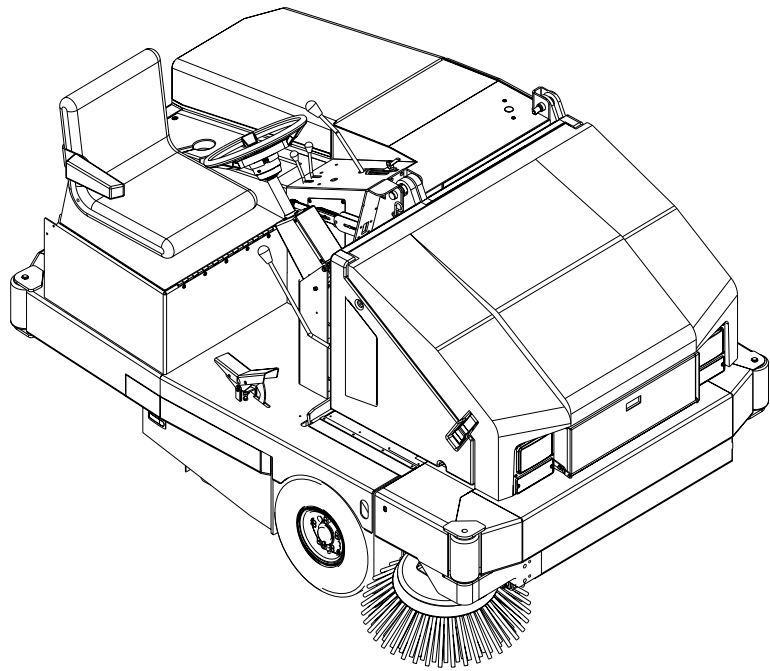


# Retriever™ 2060

## SR 1800



### PARTS LIST

Advance MODELS 56418000 (propane after SN 1450214),  
56418001 (gas after SN 1451898), 56418002 (dual fuel after SN 1450214),  
56418003 (diesel)

Nilfisk MODELS 56418004 (propane), 56418005 (gas), 56418006 (dual fuel),  
56418007(diesel)

Dual Fuel models are obsolete.



**Nilfisk  
Advance**

*setting standards*

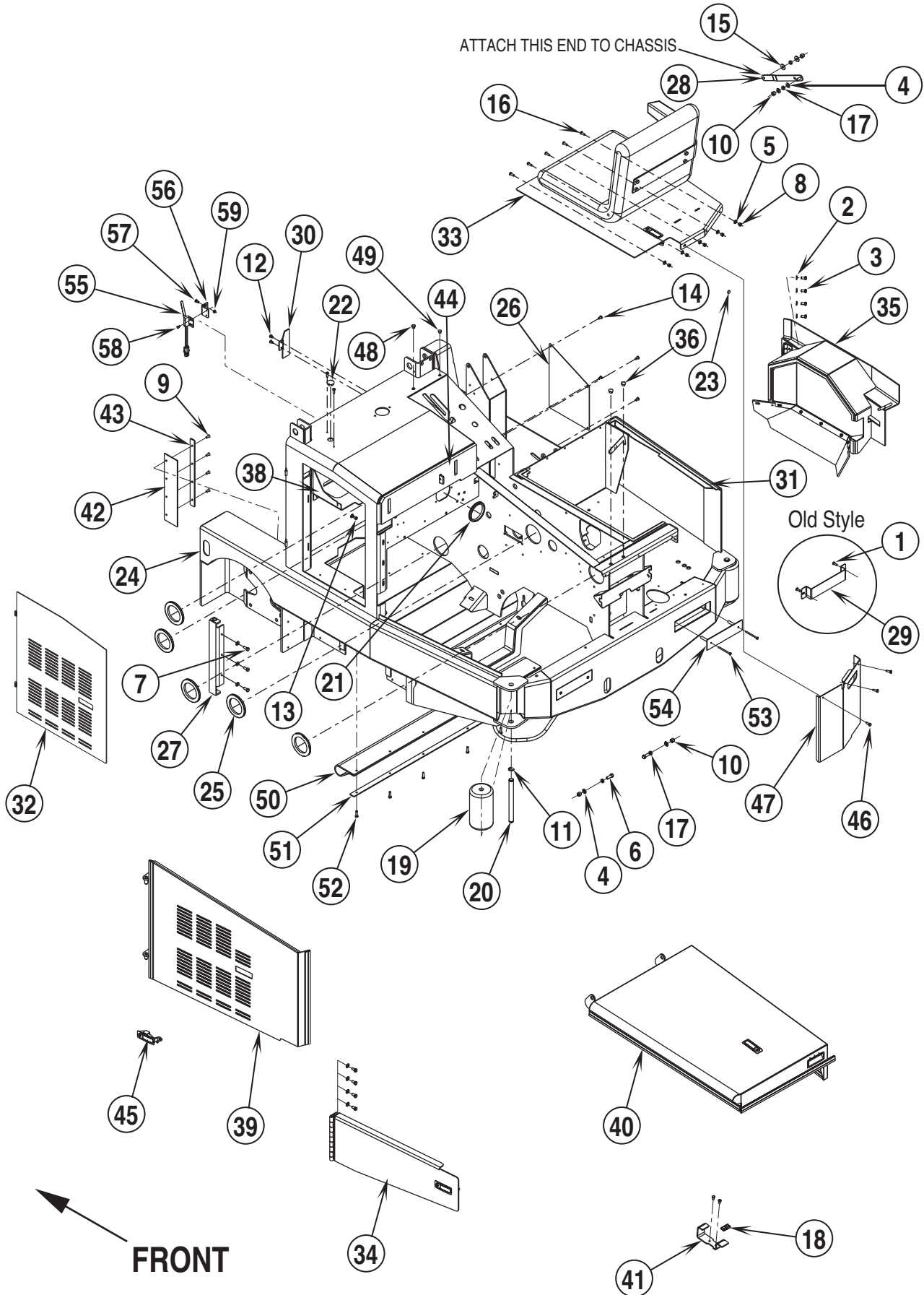
5/00 revised 3/04 FORM NO. 56042407  
BOOK F / SECTION 8.6.1

DESCRIPTION	PAGE
CHASSIS SYSTEM-1 .....	F / 8.6.1 / 3
CHASSIS SYSTEM-2 .....	F / 8.6.1 / 5
CHASSIS SYSTEM-3 .....	F / 8.6.1 / 7
CONTROL SYSTEM .....	F / 8.6.1 / 9
THROTTLE PEDAL ASSEMBLY .....	F / 8.6.1 / 11
BRAKE LEVER ASSEMBLY .....	F / 8.6.1 / 13
TILT STEERING ASSEMBLY .....	F / 8.6.1 / 15
CIRCUIT BREAKER ASSEMBLY (diesel) .....	F / 8.6.1 / 17
CIRCUIT BREAKER ASSEMBLY (gas/propane/dual fuel) ..	F / 8.6.1 / 19
CONTROL PANEL ASSEMBLY .....	F / 8.6.1 / 21
DRIVE WHEEL SYSTEM .....	F / 8.6.1 / 23
SIDE BROOM SYSTEM .....	F / 8.6.1 / 25
SIDE BROOM SYSTEM (CONTINUED) .....	F / 8.6.1 / 27
MAIN BROOM SYSTEM .....	F / 8.6.1 / 29
MAIN BROOM SYSTEM (CONTINUED) .....	F / 8.6.1 / 31
FRONT WHEEL SYSTEM .....	F / 8.6.1 / 33
DUST CONTROL SYSTEM .....	F / 8.6.1 / 35
LINKAGE ASSEMBLY .....	F / 8.6.1 / 37
HYDRAULIC SYSTEM .....	F / 8.6.1 / 38-41
HOPPER SYSTEM-1 .....	F / 8.6.1 / 43
HOPPER SYSTEM-2 .....	F / 8.6.1 / 45
DIESEL ENGINE SYSTEM .....	F / 8.6.1 / 47
DIESEL ENGINE SYSTEM COMPONENTS .....	F / 8.6.1 / 49
RADIATOR ASSEMBLY (diesel) .....	F / 8.6.1 / 51
GASOLINE ENGINE SYSTEM .....	F / 8.6.1 / 53
GASOLINE ENGINE SYSTEM COMPONENTS .....	F / 8.6.1 / 55
GASOLINE ASSEMBLY .....	F / 8.6.1 / 57
PROPANE ASSEMBLY .....	F / 8.6.1 / 59
DUAL FUEL ASSEMBLY .....	F / 8.6.1 / 61
RADIATOR ASSEMBLY (gas/propane/dual fuel) .....	F / 8.6.1 / 63
DECAL SYSTEM .....	F / 8.6.1 / 65
ELECTRICAL DIAGRAM (diesel) .....	F / 8.6.1 / 66-69
ELECTRICAL DIAGRAM (gas/propane/dual fuel) .....	F / 8.6.1 / 70-73
RECOMMENDED SPARE PARTS .....	F / 8.6.1 / 74-75

#### WHEN ORDERING PARTS

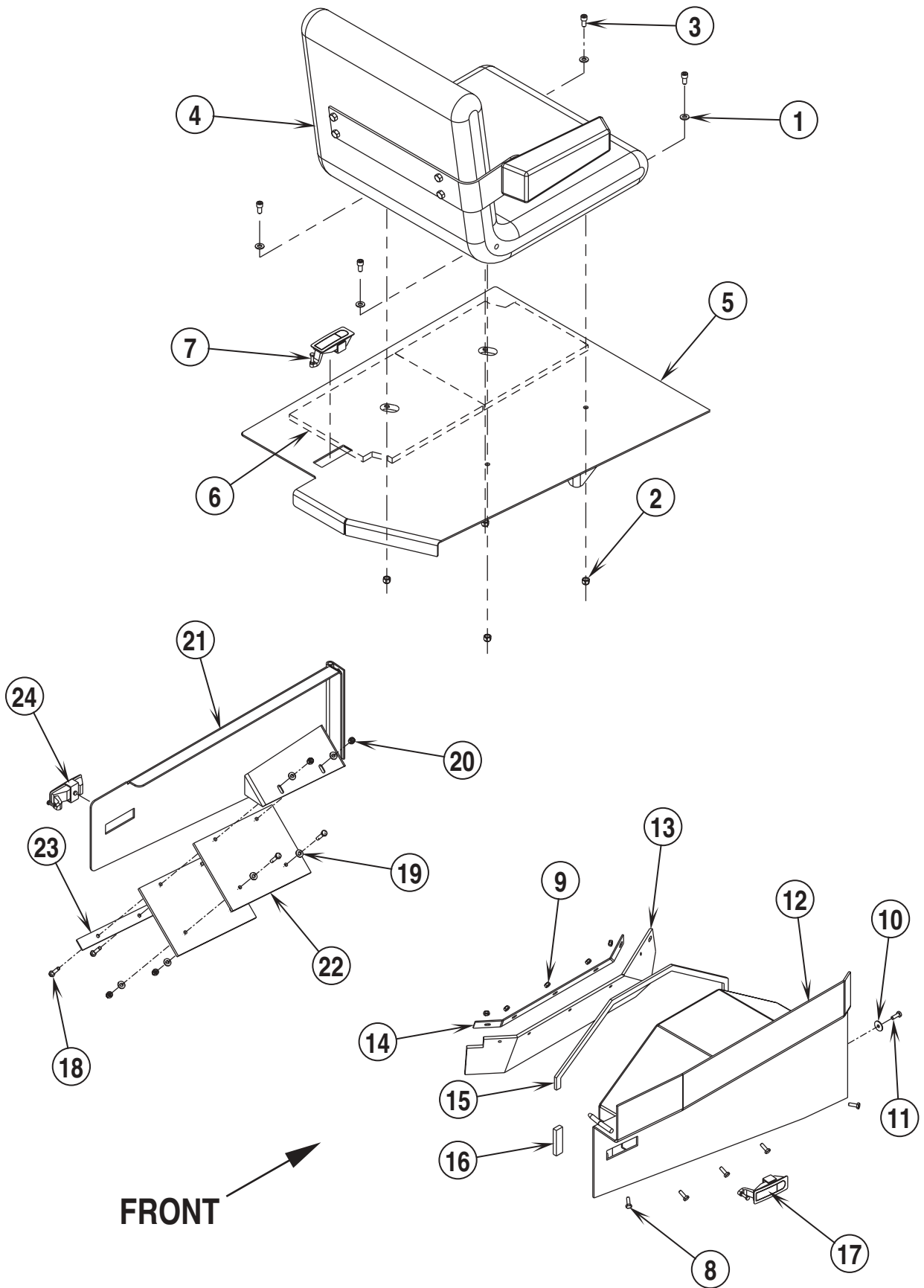
- \* Use the 8 digit numbers from the "Ref. No." columns in this parts list.
- \* Specify the model and serial number of the machine.
- \* Use the space below to record the model and serial number for future reference.

Model \_\_\_\_\_ Serial No. \_\_\_\_\_



00-5	<b>CHASSIS SYSTEM-1</b>	<b>BOOK F</b>		
02-9	<b>SR 1800 / Retriever™ 2060</b>	<b>F</b>	<b>8.6.1</b>	<b>3</b>

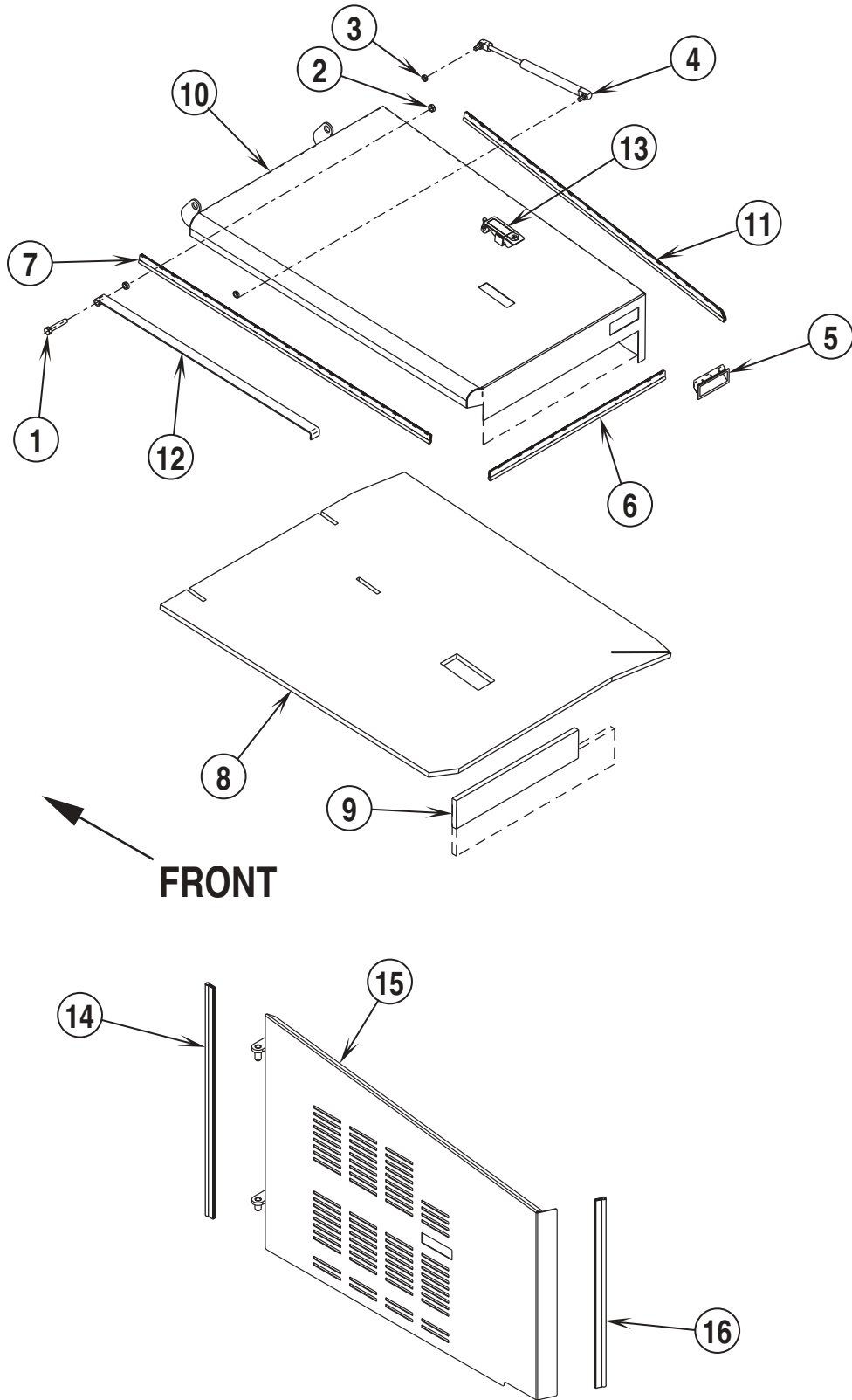
Item	Ref. No.	Qty	Description	Item	Ref. No.	Qty	Description
1	56001836	4	Scr, Hex Hd 1/4-20 x .62 <b>Note 1</b>	45	56455979	1	Lockable Door Latch (SR 1800)
2	56001939	11	Wsh, Flt SAE 5/16		56418471	1	Door Latch (2060)
3	56002035	8	Scr, Hex Hd 5/16-18 x .62	46	56009018	3	Scr, Hex Thd Form 1/4-20 x .75 (gas & diesel)
4	56002063	4	Wsh, Flt SAE 3/8				Panel, Rear (gas & diesel)
5	56002098	6	Wsh, Flt SAE 1/4	47	56419302	1	Plug, Cap
6	56002663	2	Scr, Hex Hd 3/8-16 x 1.00	48	56419183	1	Plug, Cap
7	56002667	3	Scr, Hex Hd 5/16-18 x .75	49	56153126	1	Blade, Dump Door Shield <b>TSB 746</b>
8	56002708	5	Nut, Hex Nyl Loc 1/4-20	50	56419308	1	Strap, Dump Door Shield <b>TSB 746</b>
9	56002760	8	Scr, Flt Phil 1/4-20 x .62	51	56419309	1	Scr, Hex Thd Form 1/4-20 x 1.00 <b>TSB 746</b>
10	56002769	4	Nut, Hex Nyl Loc 3/8-16	52	56009182	6	Scr, Pan Phil 10-24 x 2.75 <b>Note 1</b>
11	56003266	4	Ring, Ret Ext Type E .75 Dia.	53	56003648	4	Scr, Pan Phil 10-24 x 2.75 <b>Note 1</b>
12	56009019	2	Scr, Hex Thd Form 1/4-20 x .38	54	56419356	2	Taillight Cover Weldment <b>Note 1</b>
13	56009033	3	Scr, Hex Thd Form 1/4-20 x .50	55	56418165	1	Switch, Waterproof <b>Note 2</b>
14	56009062	4	Scr, Pan Phil Thd Form 1/4-20 x .50	56	56419336	1	Bracket, Switch <b>Note 2</b>
15	56009213	2	Wsh, Flt .392 x 1.00 x .075	57	56001854	2	Scr, Hex 1/4-20 x .50 <b>Note 2</b>
16	56009248	7	Scr, Pan Phil Thd Form-Blk 1/4-20 x .75	58	56009012	2	Scr, Hex Thd Form 10-24 x .38 <b>Note 2</b>
17	56366013	4	Bushing, .37 x .62 x .18	59	56002708	2	Nut, Hex Nyl Loc 1/4-20 <b>Note 2</b>
18	56402940	2	Bumper	* = Not Shown			
19	56409335	2	Bumper	<b>Note 1:</b> There is now a new style taillight cover. Cover (54) is bolted into the chassis from the outside, and the old style cover (29) was bolted into the chassis from the inside of the machine.			
20	56409336	2	Pin	<b>Note 2:</b> Machines after Serial Number 1477900 have this interlock switch mounted to the chassis. See <b>TSB 745</b> . Machines before this SN can be updated with "Interlock Switch Kit" PN 56419348.			
21	56416516	1	Grommet	<b>OPTIONS AND ACCESSORIES</b>			
22	56416593	1	Plug, Button 1.00	56418569	Overhead Guard Kit		
23	56416668	1	Bumper, Self-Adhesive	56418814	Wearpak Kit		
24	56418015	1	Chassis Weld't.	56418421	Back Up Alarm Kit		
25	56418198	5	Grommet	56418767	Beacon Kit		
26	56418413	1	Cover, Access	56418390	Turn Signal Kit		
27	56418592	1	Hinge Assy	56418832	Cushion Tire Kit (3 tires and lug nuts)		
*	56418590	1	Hinge Weld't.	56419400	Single Tire Kit, Cushion (similar to above 1 tire)		
*	56185264	2	Bearing, Flange	56419329	Cushion Tire Kit, Non-Marking (3 tires and lug nuts)		
28	56418706	1	Lift Link Weld't.	56419402	Single Tire Kit, Non Marking (similar to above 1 tire)		
29	56418775	2	Cover, Tail Light <b>Note 1</b>	56419401	Single Tire Kit, Pneumatic (1 tire and lug nuts)		
30	56419331	1	Deflector, Prop Rod	56418369	Gauge Kit		
31	56418831	1	Gasket, Seat Plate	56418834	Shaker Timer Kit		
32	56418583	1	Tower Door Assy	56418799	Blower Wand Kit		
*	56418584	1	Left Door Weld't.	56418406	Vacuum Switch Kit		
*	56455979	1	Lockable Door Latch (SR 1800)	56418420	Temperature Switch Kit		
*	56418471	1	Door Latch (2060)	56419233	Enclosed Cab Kit		
*	56418875	1	Gasket, Tower Door	56419213	Cab Blower Kit		
33	56418498	1	Seat Plate Assy (see Chassis System-2)	56419243	Alternator Kit (for gas, propane and dual fuel models) (should be ordered when installing Cab Kit).		
34	56418195	1	Left Door Assy (see Chassis System-2)	56460061	Left Armrest Kit		
35	56418064	1	Right Door Assy (see Chassis System-2)	56419301	Stiff Engine Mount Kit		
36	56419183	3	Plug, Cap	56419361	Soft Engine Mount Kit		
37			<b>Intentionally Omitted</b>	56419304	4 Tube Radiator T. U. Kit (for gas, propane and dual fuel)		
38	56419032	1	Tray, Battery	56419305	4 Tube Radiator D Kit (for diesel models)		
39	56419103	1	Side Door Assy (diesel)	56419358	Dump Door Shield Kit		
	56419132	1	Side Door Assy (gas/propane/dual fuel) (see Chassis System-3)	56419348	Interlock Switch Kit		
40	56419094	1	Hood Assy (diesel)				
	56419139	1	Hood Assy (gas/propane/dual fuel) (see Chassis System-3)				
41	56419113	1	Stop, Oil Cooler (diesel)				
	56419135	1	Stop, Oil Cooler (gas/propane/dual fuel)				
42	56419126	2	Blade				
43	56419127	2	Strap				
44	56419129	1	Foam, Tower Wall				



00-5	<b>CHASSIS SYSTEM-2</b>	<b>BOOK F</b>		
02-10	<b>SR 1800 / Retriever™ 2060</b>	<b>F</b>	<b>8.6.1</b>	<b>5</b>

Item	Ref. No.	Qty	Description
	56418498	1	Seat Plate Assy
1	56001939	4	Wsh, Flt SAE 5/16
2	56002701	4	Nut, Hex Nyl Loc 5/16-18
3	56003118	4	Scr, soc Hd 5/16-18 x .62
4	56460045	1	Seat Assy
**	56460061	1	Left Armrest Kit
**	56460083	1	Right Armrest Kit
5	56418495	1	Seat Panel Weld't.
6	56418788	2	Insulation, Seat Plate
7	56455979	1	Lockable Door Latch (SR 1800)
	56418471	1	Door Latch (2060)
	56418064	1	Right Door Assy
8	56002155	6	Scr, Hex Hd 1/4-20 x .75
9	56002840	6	Nut, Hex Nyl Loc-Thin 1/4-20
10	56009002	1	Wsh, Flt .266 x .906 x .060
11	56009018	1	Scr, Hex Thd Form 1/4-20 x .75
12	56418065	1	Right Door Weld't.
13	56418070	1	Skirt, Right Door
14	56418193	1	Strap, Right Door
15	56418475	1	Gasket, Strip
16	56418703	1	Gasket, Strip
17	56455979	1	Lockable Door Latch (SR 1800)
	56418471	1	Door Latch (2060)
	56418195	1	Left Door Assy
18	56001878	4	Scr, Hex Hd 1/4-20 x 1.25
19	56002098	6	Wsh, Flt SAE 1/4
20	56002708	4	Nut, Hex Nyl Loc 1/4-20
21	56418196	1	Left Door Weld't.
22	56418469	2	Skirt, Left Door
23	56418470	1	Strap, Left Door
24	56455979	1	Lockable Door Latch (SR 1800)
	56418471	1	Door Latch (2060)

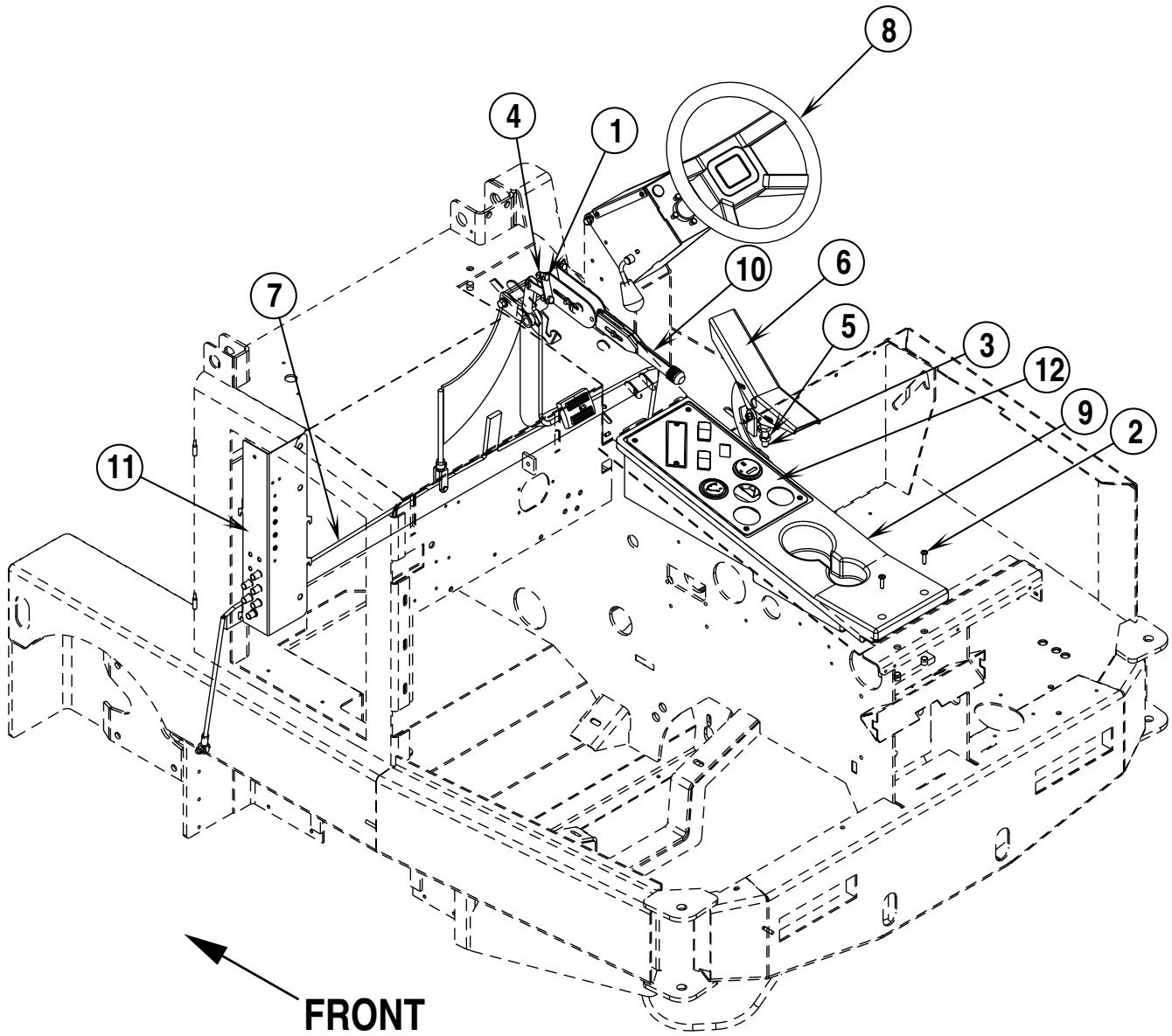
\*\* = Optional



00-5	<b>CHASSIS SYSTEM-3</b>	<b>BOOK F</b>		
00-11	<b>SR 1800 / Retriever™ 2060</b>	<b>F</b>	<b>8.6.1</b>	<b>7</b>

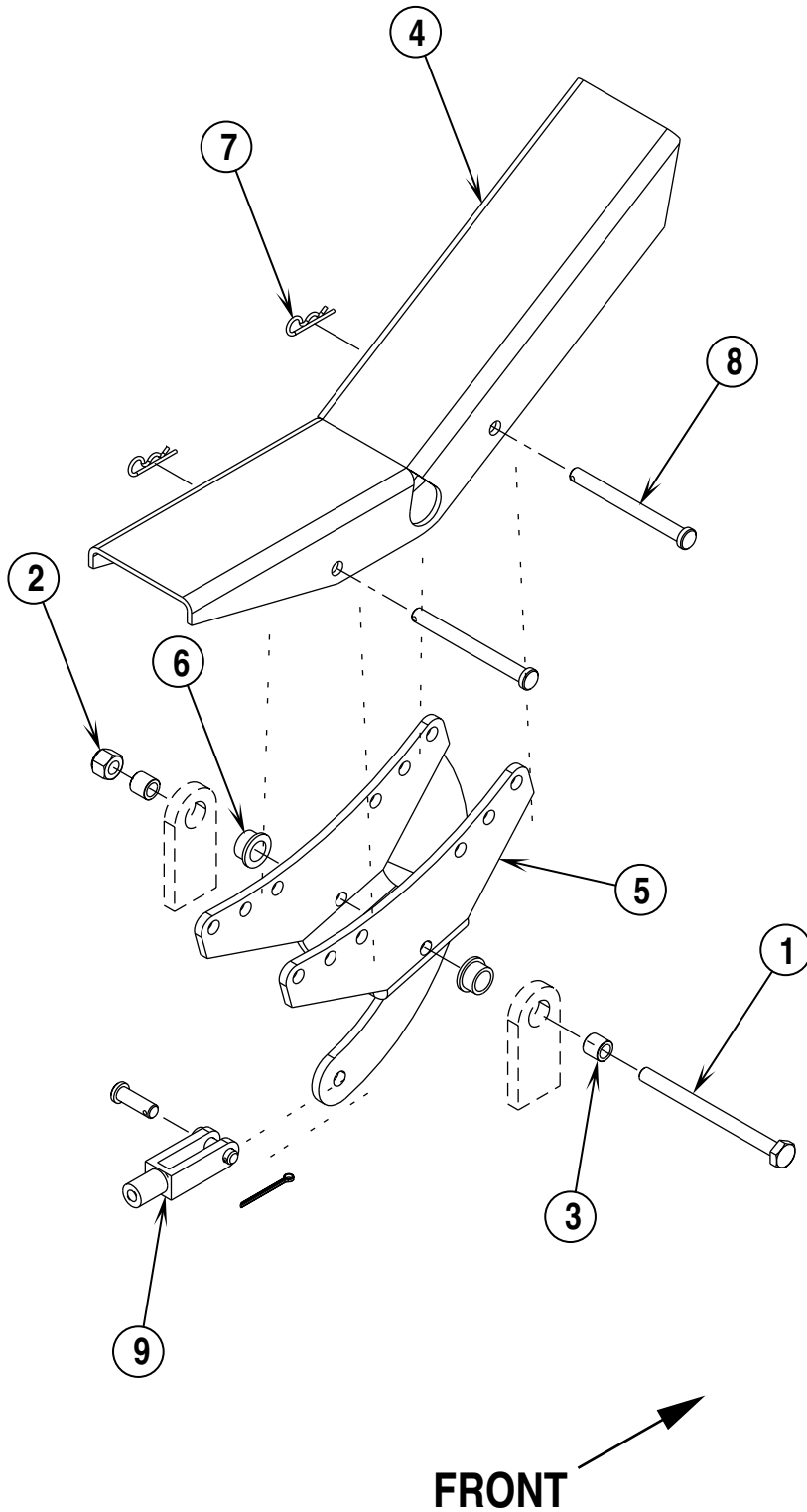
Item	Ref. No.	Qty	Description
	56419094	1	Hood Assembly ( <b>diesel</b> )
	56419139	1	Hood Assembly ( <b>gas/propane/dual fuel</b> )
1	56002091	1	Scr, Hex Hd 3/8-16 x 2.00
2	56009085	2	Nut, Hex Jam 3/8-16
3	56009086	2	Nut, Hex Jam 5/16-18
4	56385238	1	Gas Cylinder
5	56416455	1	Pull, Pocket
6	56419096	1	Trim, Seal ( <b>diesel</b> )
	56419143	1	Trim, Seal ( <b>gas/propane/dual fuel</b> )
7	56419097	1	Trim, Seal
8	56419099	1	Insulation, Hood
9	56419100	1	Insulation, Hood ( <b>diesel</b> )
	56419142	1	Insulation, Hood ( <b>gas/propane/dual fuel</b> )
10	56419111	1	Hood Weld't. ( <b>diesel</b> )
	56419137	1	Hood Weld't. ( <b>gas/propane/dual fuel</b> )
11	56419122	1	Trim, Seal
12	56419179	1	Prop, Oil Cooler
13	56455979	1	Lockable Door Latch ( <b>SR 1800</b> )
	56418471	1	Door Latch ( <b>2060</b> )
	56419103	1	Side Door Assembly ( <b>diesel</b> )
	56419132	1	Side Door Assembly ( <b>gas/propane/dual fuel</b> )
14	56418699	1	Trim, Seal
15	56419046	1	Side Door Weld't. ( <b>diesel</b> )
	56419133	1	Side Door Weld't. ( <b>gas/propane/dual fuel</b> )
16	56419098	1	Trim, Seal





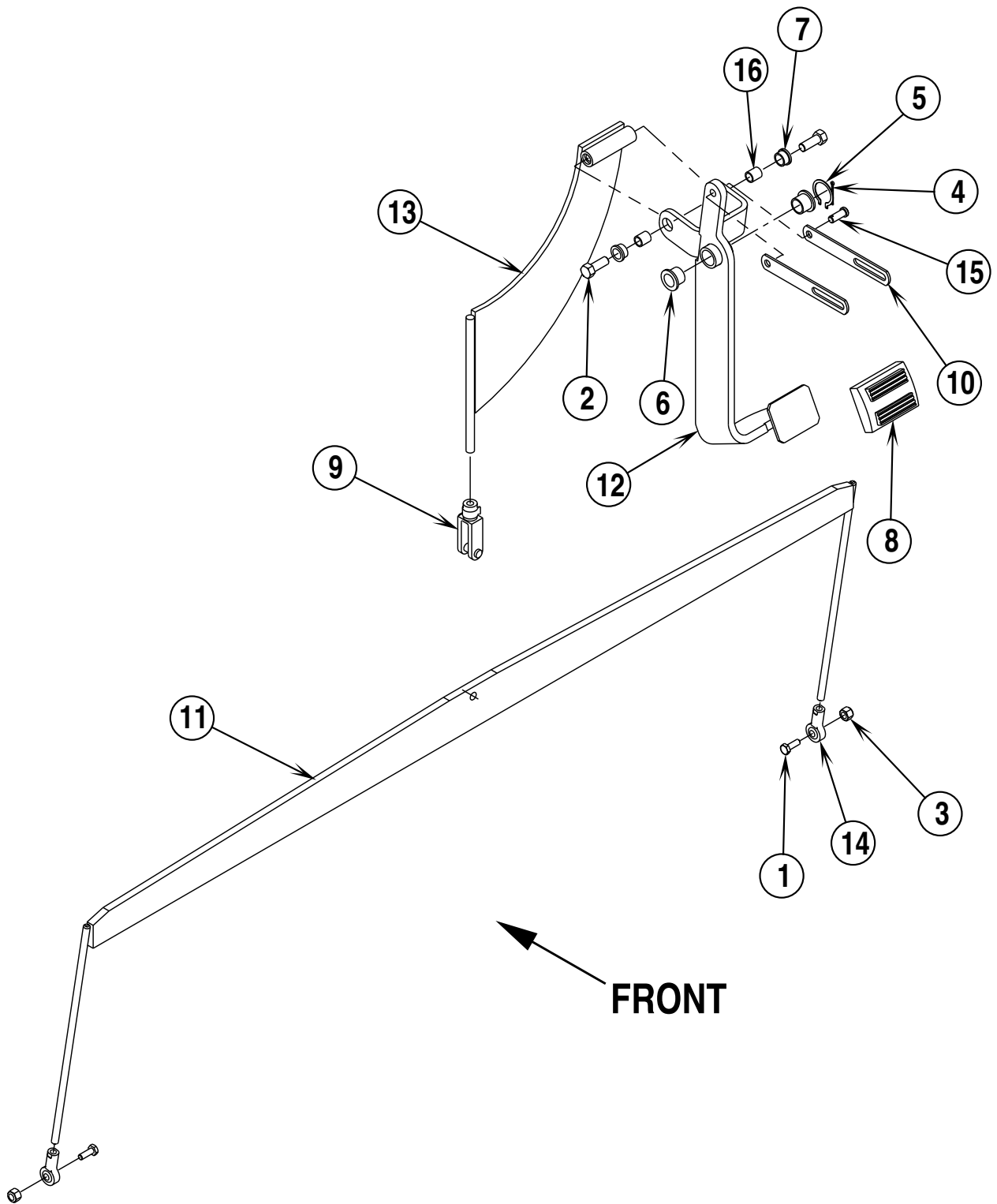
Item	Ref. No.	Qty	Description
1	56002037	4	Scr, Hex Hd 5/16-18 x .88
2	56002292	2	Scr, Pan Phil 1/4-20 x 1.00
3	56002668	2	Scr, Hex Thd To Hd 1/2-13 x 1.75
4	56002701	4	Nut, Hex Nyl Loc 5/16-18
5	56009016	4	Nut, Hex Jam 1/2-13
6	56418113	1	Throttle Pedal Assy ( <b>see Throttle Pedal Assembly</b> )
7	56418138	1	Brake Lever Assy ( <b>see Brake Lever Assembly</b> )
8	56418377	1	Tilt Steering Assy ( <b>see Tilt Steering Assembly</b> )
9	56418717	1	Console, Finished
10	56448200	1	Lever, Brake Assy
11	56419114	1	Circuit Breaker Assy ( <b>diesel</b> ) ( <b>see Circuit Breaker Assembly (diesel)</b> )
	56418388	1	Circuit Breaker Assy ( <b>gas/propane/dual fuel</b> ) ( <b>see Circuit Breaker Assembly (gas/propane/dual fuel)</b> )
12	56419115	1	Control Panel Assy ( <b>diesel</b> ) ( <b>see Control Panel Assembly</b> )
	56418663	1	Control Panel Assy ( <b>gas/propane/dual fuel</b> ) ( <b>see Control Panel Assembly</b> )
*	56418628	1	Harness, Control Panel

\* = Not Shown

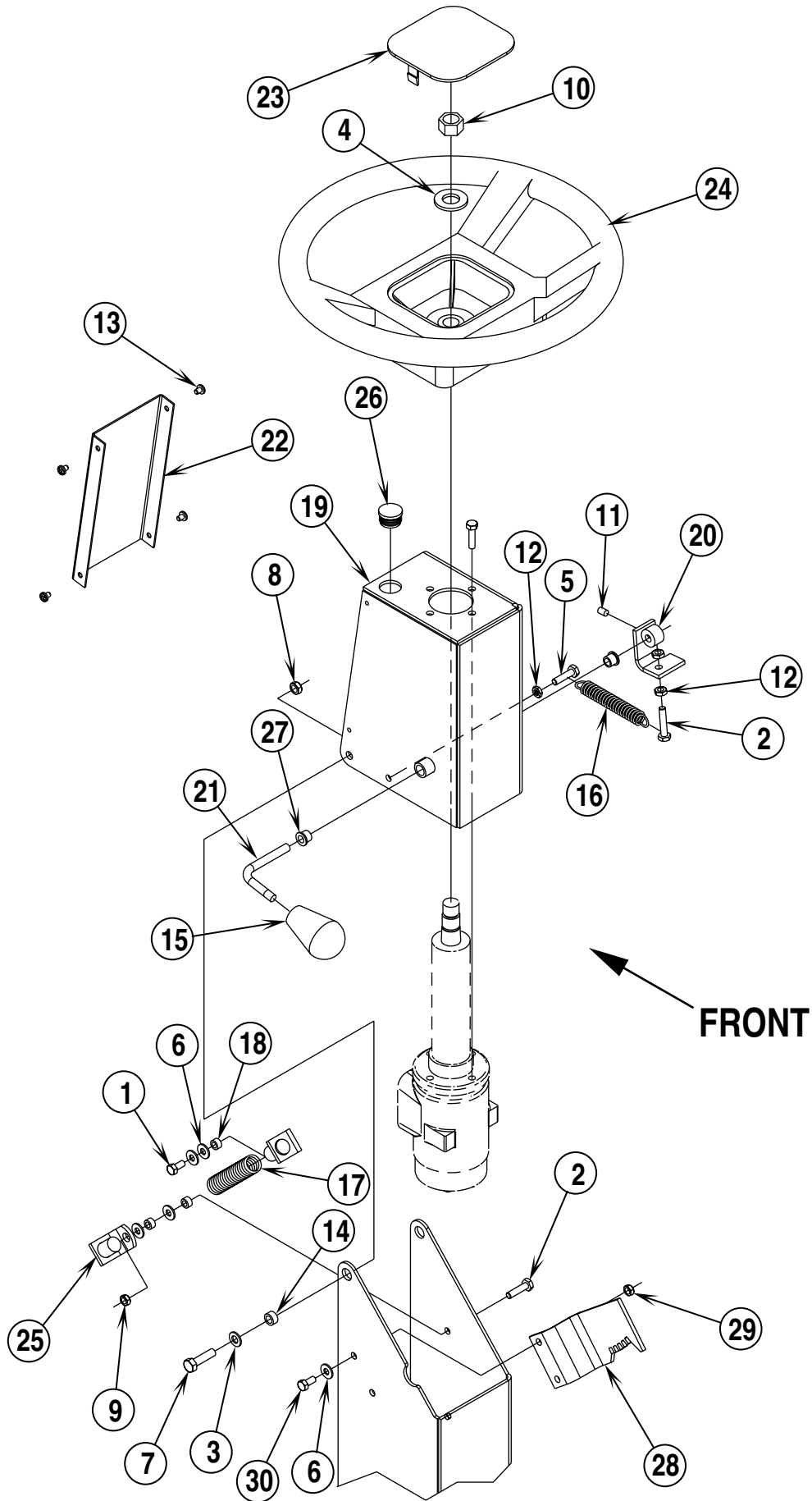


00-5	<b>THROTTLE PEDAL ASSEMBLY</b>	<b>BOOK F</b>		
01-9	<b>SR 1800 / Retriever™ 2060</b>	<b>F</b>	<b>8.6.1</b>	<b>11</b>

Item	Ref. No.	Qty	Description
	56418113	1	Throttle Pedal Assy
1	56001817	1	Scr, Hex Hd 1/4-20 x 3.25
2	56002708	1	Nut, Hex Nyl Loc 1/4-20
3	56151106	2	Bushing
4	56418112	1	Pedal Weld't.
5	56418118	1	Pedal Weld't.
6	56418162	2	Bearing, Flange
7	56418163	2	Cotter, Hair Pin
8	56003531	2	Clevis Pin .25 x 2.75
9	56482542	1	Clevis Assembly

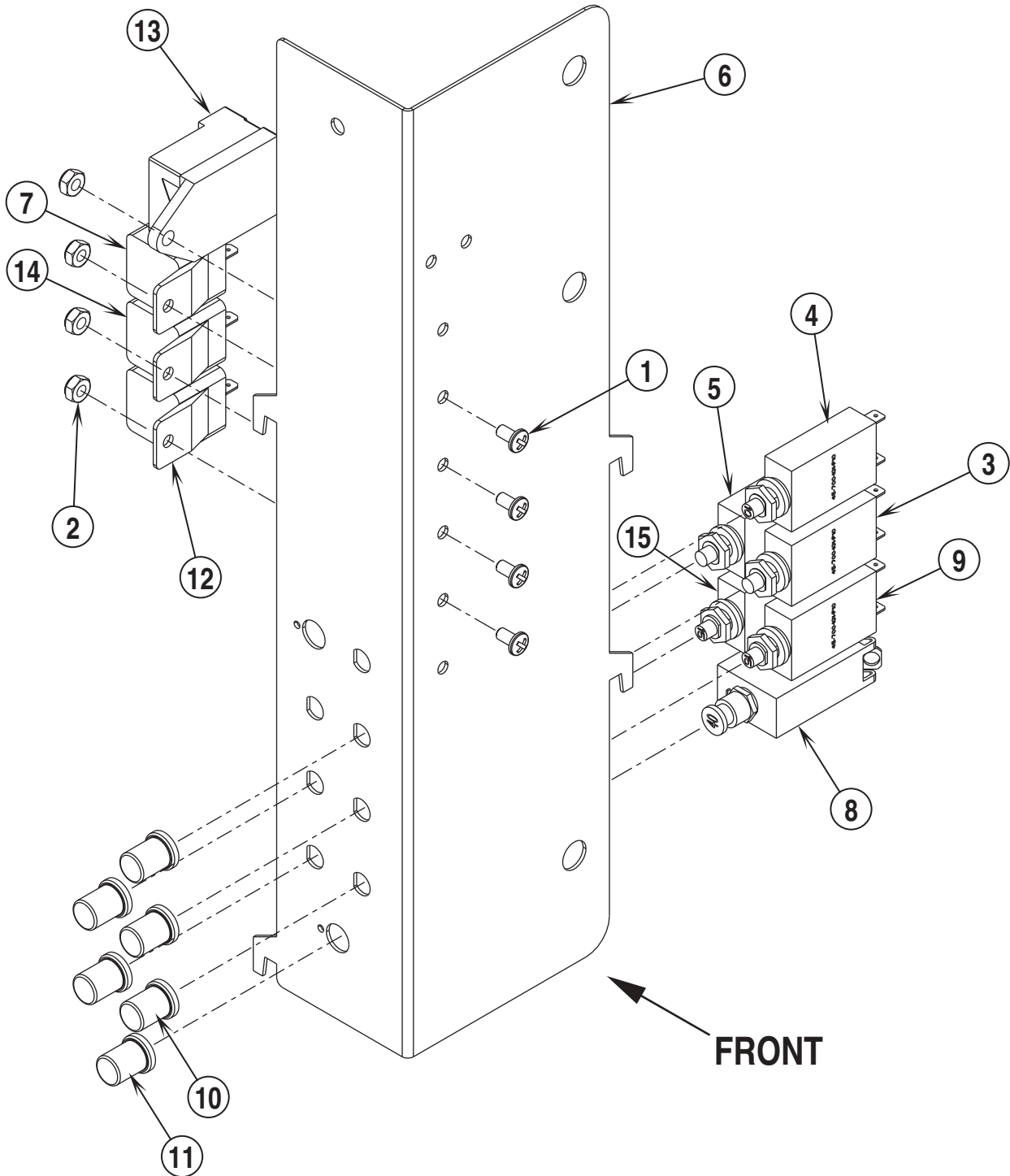


Item	Ref. No.	Qty	Description
	56418138	1	Brake Lever Assy
1	56002588	1	Scr, Hex Hd 5/16-24 x 1.00
2	56002947	2	Scr, Hex Hd Loc 3/8-16 x 1.00
3	56002950	2	Nut, Hex Nyl Loc 5/16-24
4	56003144	1	Pin, Cotter 1/16 x 1/2
5	56003255	1	Ring, Ret ext
6	56171095	2	Bearing, Flange
7	56185264	2	Bearing, Flange
8	56365002	1	Pad, Rubber
9	56416088	1	Clevis Assy
10	56416348	2	Linkage, Handbrake
11	56418137	1	Brake Yoke Weld't.
12	56418144	1	Brake Lever Weld't.
13	56418145	1	Link Weld't.
14	56418478	2	Rod End .31
15	56455357	1	Pin
16	56458410	2	Bushing .39 x .50 x .56

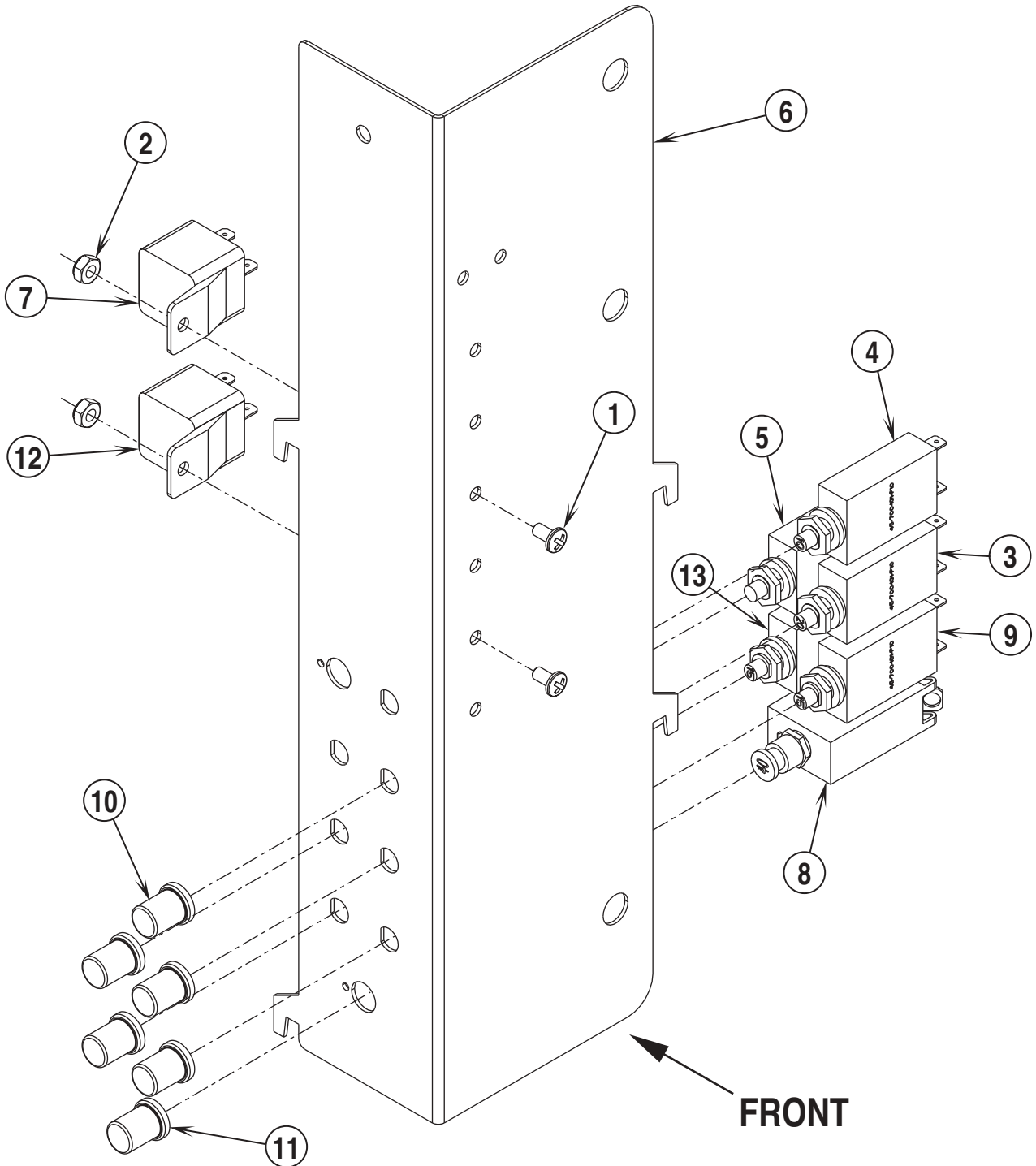


Item	Ref. No.	Qty	Description
	56418377	1	Tilt Steering Assy
1	56001854	1	Scr, Hex Hd 1/4-20 x .50
2	56001878	2	Scr, Hex Hd 1/4-20 x 1.25
3	56001939	2	Wsh, Flt SAE 5/16
4	56002022	1	Wsh, Flt SAE 5/8
5	56002093	1	Scr, Hex Hd 1/4-20 x 1.00
6	56002098	6	Wsh, Flt SAE 1/4
7	56002221	2	Scr, Hex Hd 5/16-18 x 1.00
8	56002701	2	Nut, Hex Nyl Loc 5/16-18
9	56002840	1	Nut, Hex Nyl Loc-Thin 1/4-20
10	56003440	1	Nut, Steering Wheel
11	56009076	1	Scr, Soc Set Loc
12	56009087	3	Nut, Hex Jam 1/4-20
13	56009109	4	Scr, Pan Phil Thd Form 10-24 x .25
14	56320595	2	Bushing, .32 x .50 x .28
15	56364527	1	Knob
16	56365068	1	Spring, Ext.
17	56372129	1	Spring, Comp.
18	56379298	3	Bushing
19	56418394	1	Steering Bracket Weld't.
20	56418400	1	Pawl Weld't.
21	56418401	1	Lever, Steering Lock
22	56418402	1	Cover, Steering Hoses
23	56418459	1	Cap, Steering Wheel
24	56418460	1	Steering Wheel
25	56418654	2	Spring Bracket Weld't.
26	56418674	1	Plug, Plastic
27	56444502	2	Bearing, Flange
28	56418031	1	Latch, Adjustable Steering
29	56002708	2	Nut, Hex Nyl Loc 1/4-20
30	56002155	2	Scr, Hex Hd 1/4-20 x .75

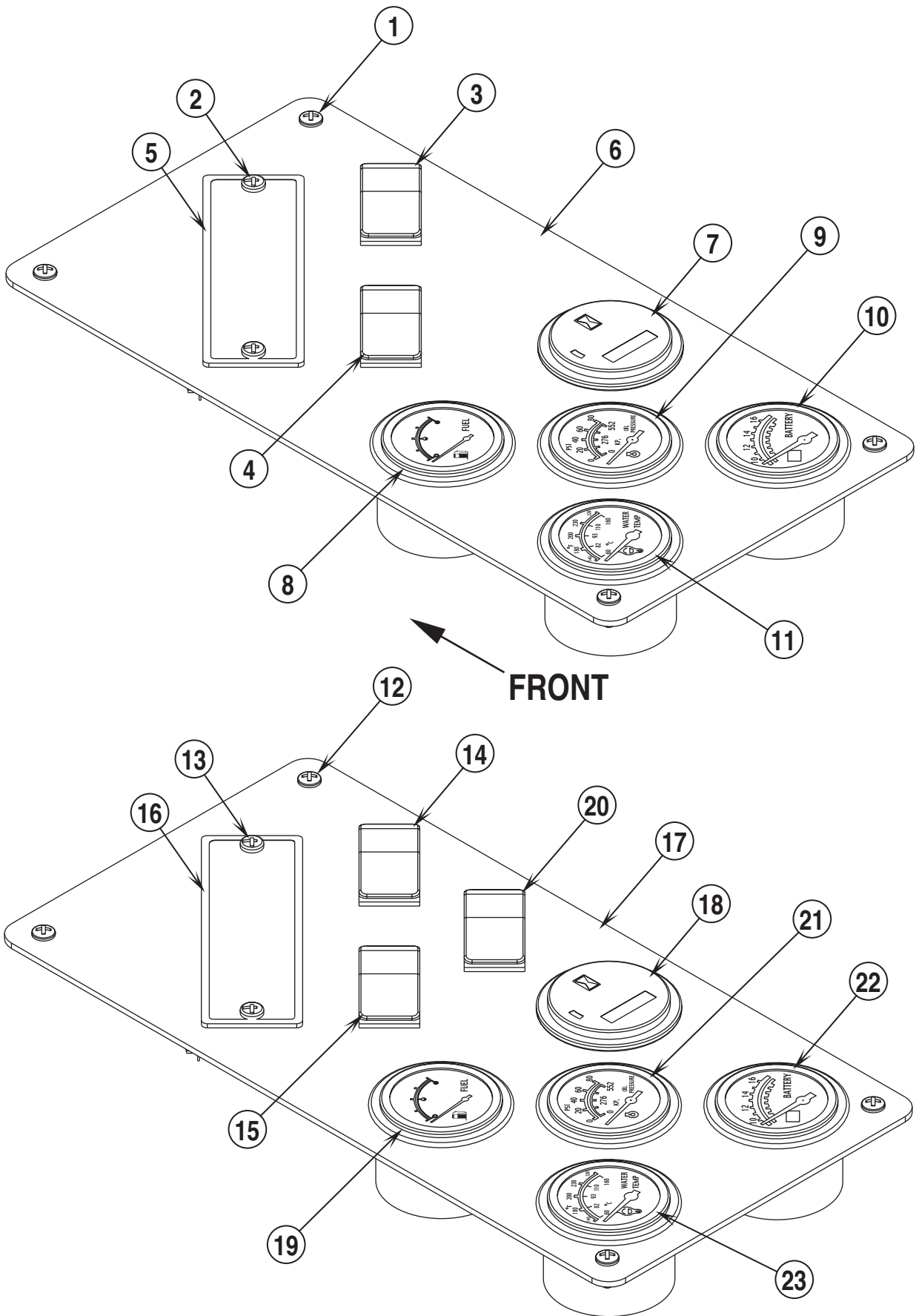




Item	Ref. No.	Qty	Description
	56419114	1	Circuit Breaker Assy ( <b>diesel</b> )
1	56002043	4	Scr, Pan Phil 10-24 x .38
2	56002832	4	Nut, Hex Nyl Loc-Thin 10-24
3	56395454	1	Circuit Breaker, 20 Amp ( <b>Headlights, Tail Lights / F4</b> )
4	56387316	1	Circuit Breaker, 10 Amp ( <b>Horn / F6</b> )
5	56168444	1	Circuit Breaker, 8 Amp ( <b>Shaker Motor / F5</b> )
6	56418173	1	Panel, Circuit Breaker
7	56418387	1	Relay, SPDT ( <b>Hopper Door / K6</b> )
8	56452193	1	Circuit Breaker, 40 Amp ( <b>Main / F1</b> )
9	56387316	1	Circuit Breaker, 10 Amp ( <b>Accessory Circuit / F2</b> )
10	56459367	5	Boot, Reset Button
11	56459368	1	Boot, Reset Button
12	56491862	1	Relay ( <b>Shaker Motor / K2</b> )
13	56463590	1	Glow Plug Timer ( <b>E3</b> )
14	56491862	1	Relay ( <b>Accessories / K3</b> )
15	56454538	1	Circuit Breaker, 15 Amp ( <b>Accessory Circuit / F3</b> )



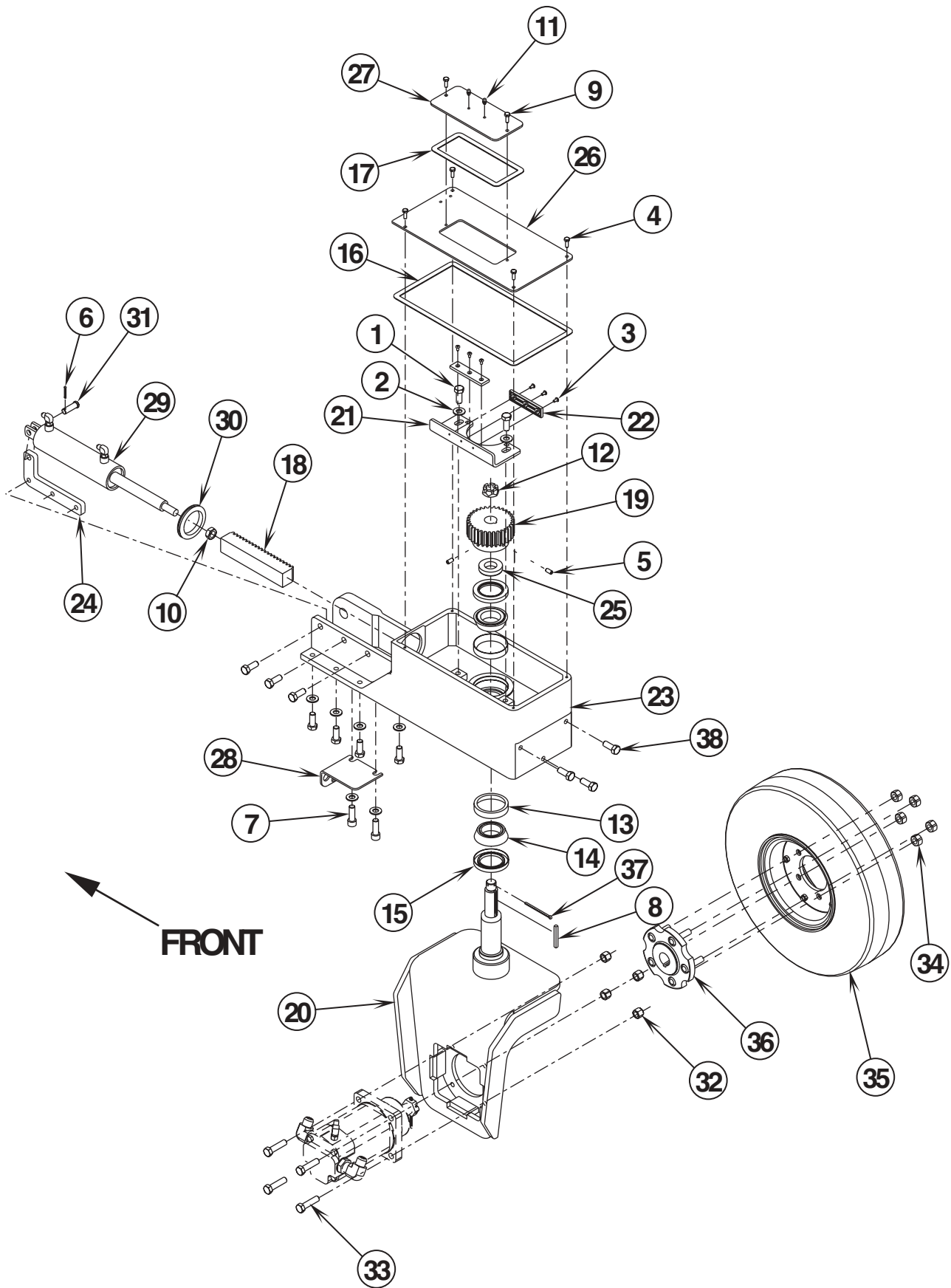
Item	Ref. No.	Qty	Description
	56418388	1	Circuit Breaker Assy (gas/propane/dual fuel)
1	56002043	2	Scr, Pan Phil 10-24 x .38
2	56002832	2	Nut, Hex Nyl Loc-Thin 10-24
3	56168444	1	Circuit Breaker, 8 Amp (Shaker Motor / F5)
4	56387316	1	Circuit Breaker, 10 Amp (Horn / F6)
5	56395454	1	Circuit Breaker, 20 Amp (Head Lights / Tail Lights / F4)
6	56418173	1	Panel, Circuit Breaker
7	56418387	1	Relay, Hopper Door / K6
8	56452193	1	Circuit Breaker, 40 Amp (Main / F1)
9	56454538	1	Circuit Breaker, 15 Amp (Ignition Circuit / F2)
10	56459367	5	Boot, Reset Button
11	56459368	1	Boot, Reset Button
12	56491862	1	Relay, Shaker Motor / K2
13	56454538	1	Circuit Breaker, 15 Amp (Accessory Circuit 1 / F3)



00-5	<b>CONTROL PANEL ASSEMBLY</b>	<b>BOOK F</b>		
01-2	<b>SR 1800 / Retriever™ 2060</b>	<b>F</b>	<b>8.6.1</b>	<b>21</b>

Item	Ref. No.	Qty	Description
	56419115	1	Control Panel Assy ( <b>diesel</b> ) (#1-8) <b>Note 1</b>
1	56002831	4	Scr, Pan Phil Blk 10-24 x .50
2	56009082	2	Scr, Pan Phil Thd Form-Blk 10-24 x .50
3	56324272	1	Switch, Rocker ( <b>Shaker Motor, Dust Control / S7</b> )
4	56393312	1	Switch, Rocker ( <b>Headlights / S8</b> )
5	56418412	1	Light Display, 10 Bulb
6	56418662	1	Control Panel
7	56478363	1	Meter, Hour
8	56489598	1	Gauge, Fuel Level
9	56489592	1	Gauge, Oil Pressure (Standard after SN 1477918)
10	56482044	1	Meter, Volt (Standard after SN 1477918)
11	56489600	1	Gauge, Temperature (Standard after SN 1477918)
	56418663	1	Control Panel Assy ( <b>gas/propane/dual fuel</b> ) (#12-20) <b>Note 1</b>
12	56002831	4	Scr, Pan Phil Blk 10-24 x .50
13	56009082	2	Scr, Pan Phil Thd Form-Blk 10-24 x .50
14	56324272	1	Switch, Rocker ( <b>Shaker Motor, Dust Control / S7</b> )
15	56393312	1	Switch, Rocker ( <b>Headlights / S8</b> )
16	56418412	1	Light Display, 10 Bulb
17	56418662	1	Control Panel
18	56478363	1	Meter, Hour
19	56489598	1	Gauge, Fuel Level ( <b>gas/dual fuel</b> )
20	56455820	1	Switch, Rocker ( <b>Engine Speed / S3</b> )
21	56489592	1	Gauge, Oil Pressure* (Standard after SN 1477918)
22	56482044	1	Meter, Volt (Standard after SN 1477918)
23	56489600	1	Gauge, Temperature (Standard after SN 1477918)

**Note 1:** The additional gauges (oil pressure, voltage, and temp.) are standard on all machines after serial number 1477918. Kit #56418369 was added to the bill of material, but these gauges are not yet part of the Control Panel Assemblies. A kit (PN 56418369) is available for installing these additional gauges (oil pressure, voltage, and temp.) to earlier machines.



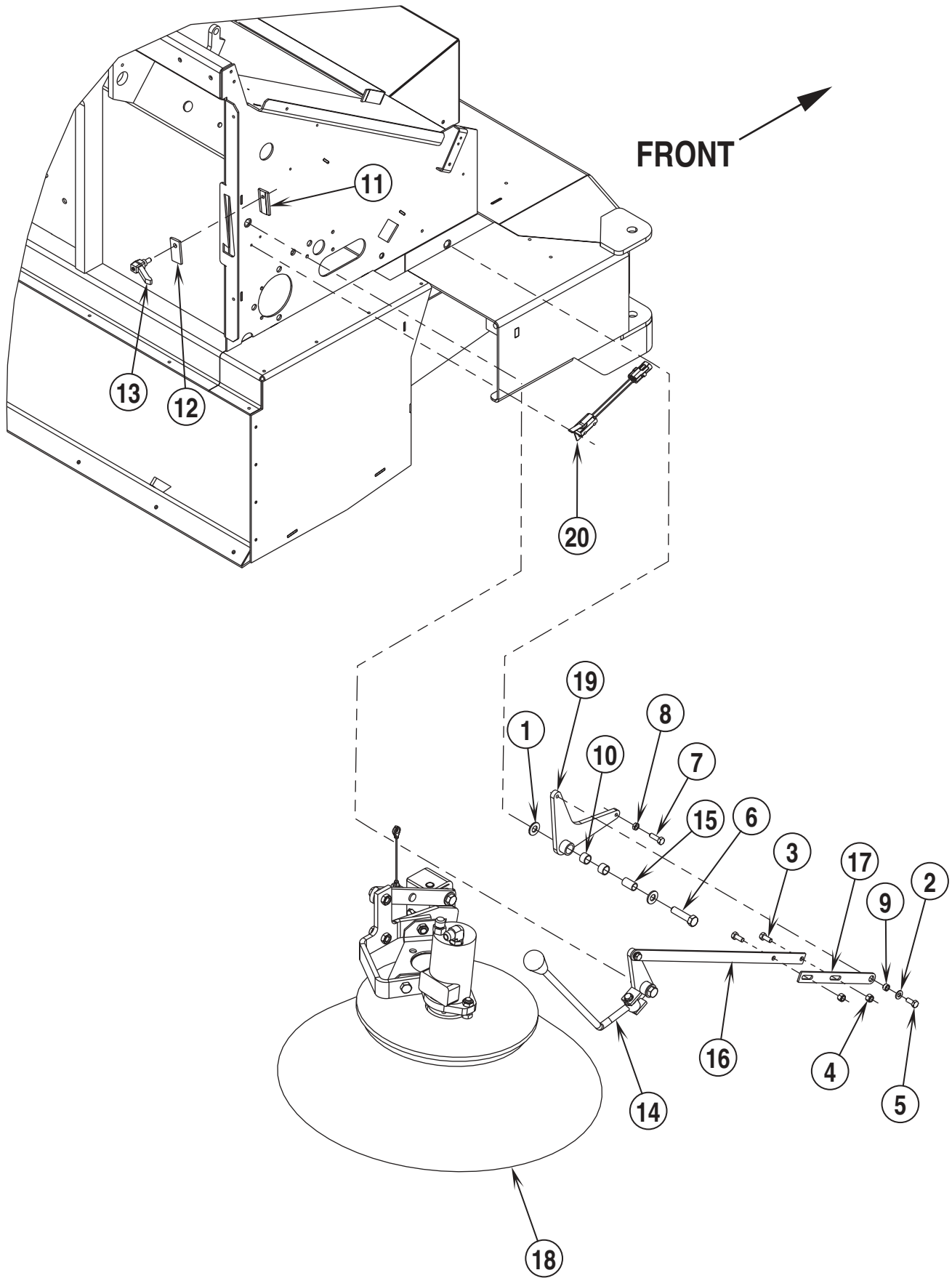
00-5	<b>DRIVE WHEEL SYSTEM</b>	<b>BOOK F</b>		
02-5	<b>SR 1800 / Retriever™ 2060</b>	<b>F</b>	<b>8.6.1</b>	<b>23</b>

Item	Ref. No.	Qty	Description
	56419187	1	Steering Assy (#1-31 & 37)
1	56003083	2	Scr, Hex Hd Loc 1/2-13 x 1.00
2	56001879	8	Wsh, Flt SAE 1/2
3	56002043	6	Scr, Pan Phil 10-24 x .38
4	56002155	4	Scr, Hex Hd 1/4-20 x .75
5	56002186	2	Scr, Soc Set Loc 5/16-18 x .62
6	56002529	1	Pin, Cotter 1/8 x 1.00
7	56002972	2	Scr, Soc Hd 1/2-13 x 1.50
8	56003248	1	Key, Sq. .25 x 2.31
9	56009018	2	Scr, Hex Thd Form 1/4-20 x .75
10	56009099	1	Nut, Hex Jam 5/8-18
11	56101737	2	Fitting, Lube 1/4-28
12	56110817	1	Nut, Castle 7/8-14
13	56744474	2	Bearing, Cup
14	56744471	2	Bearing, Cone
15	56477783	2	Seal, Shaft
16	56200754	4'	Gasket, Strip
17	56200754	2'	Gasket, Strip
18	56418476	1	Rack
19	56418477	1	Gear, Spur
20	56419184	1	Spindle Weld't.
21	56418573	1	Angle, Adjuster
22	56418575	2	Plate, Wear
23	56419188	1	Casting, Steering
24	56418637	1	Bracket, Cylinder
25	56419189	1	Spacer, Gear
26	56418639	1	Cover Plate
27	56418754	1	Cover, Inspection
28	56418755	1	Bracket, Bulkhead
29	56418765	1	Steering Cylinder Assy
*	56418441	1	Cylinder, Hydraulic
*	56900101	2	Elbow, 90 O-Ring
30	56459362	1	Grommet
31	56486733	1	Pin
32	56002770	4	Nut, Hex Nyl Loc 1/2-13
33	56002983	4	Scr, Hex Hd 1/2-13 x 2.00
34	56009116	5	Nut, Lug <b>TSB 797</b>
35	56419374	1	Tire Assembly <b>TSB 797</b>
*	56419377	1	Rim, 8.00 x 3.75 <b>TSB 797</b>
*	56419376	1	Tire <b>TSB 797</b>
*	56419375	1	Tube <b>TSB 797</b>
**	56418361	1	Tire, Cushion
**	56419328	1	Tire, Non-Marking
36	56419373	1	Hub Assy <b>TSB 775 / TSB 797</b>
**	56419436	1	2060 Hub Kit (items 34 & 36)
37	56002574	1	Pin, Cotter 5/32 x 3.00
38	56003022	10	Scr, Hex Hd Loc 1/2-13 x 1.25

\* = Not Shown

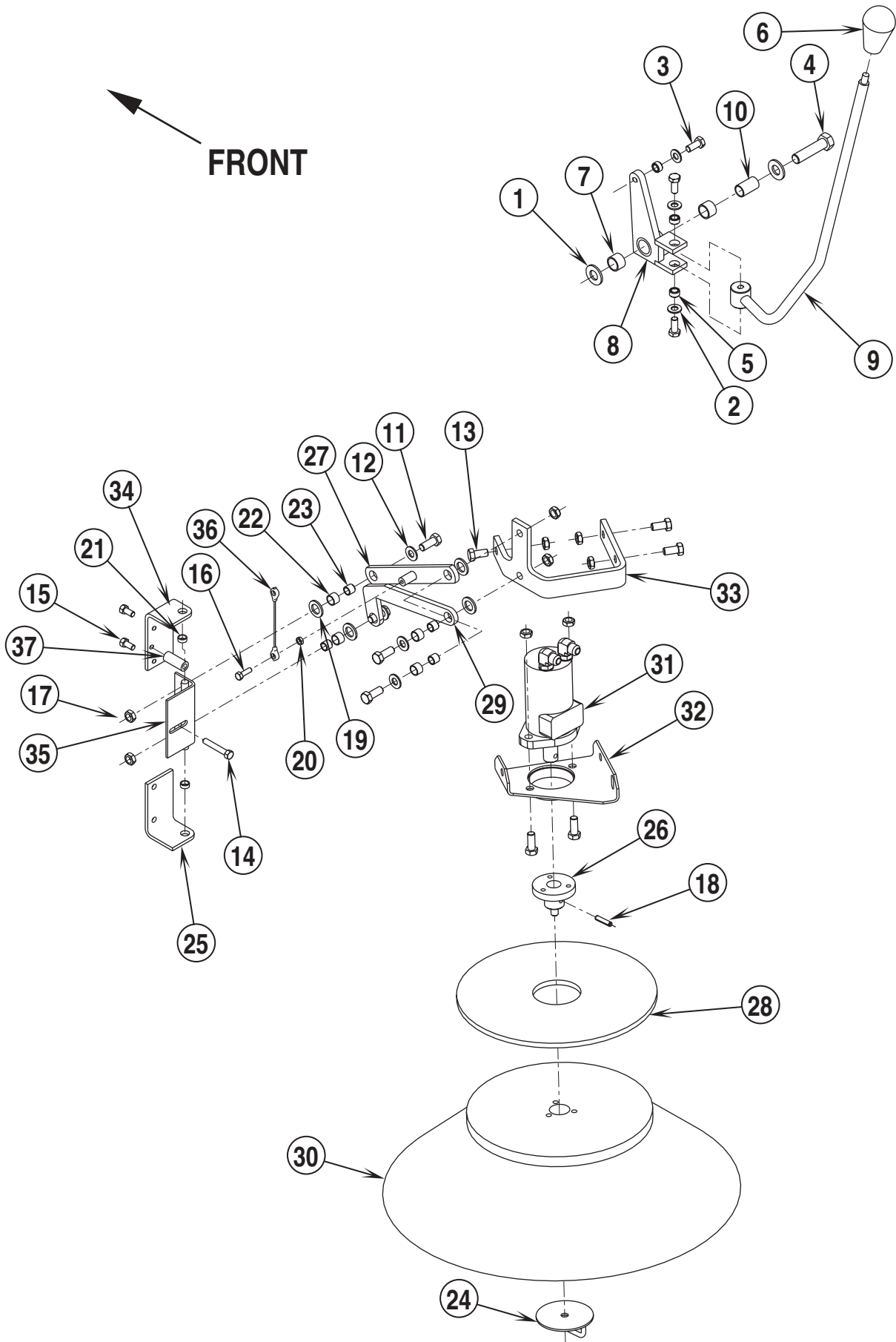
\*\* = Optional





00-5	<b>SIDE BROOM SYSTEM</b>	<b>BOOK F</b>		
01-1	<b>SR 1800 / Retriever™ 2060</b>	<b>F</b>	<b>8.6.1</b>	<b>25</b>

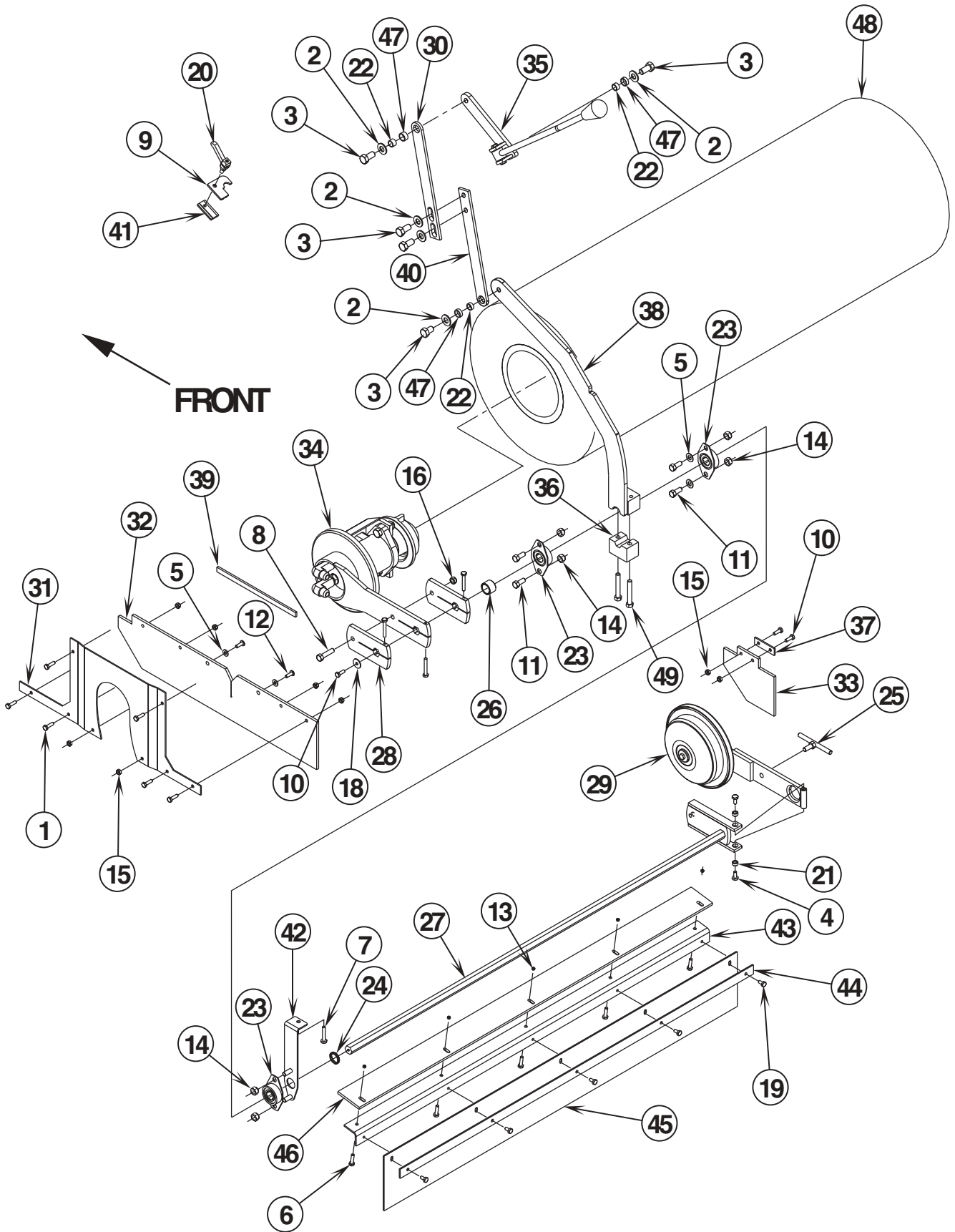
Item	Ref. No.	Qty	Description
1	56001879	2	Wsh, Flt SAE 1/2
2	56001939	1	Wsh, Flt SAE 5/16
3	56002667	2	Scr, Hex Hd 5/16-18 x .75
4	56002701	2	Nut, Hex Nyl Loc 5/16-18
5	56002956	1	Scr, Hex Hd Loc 5/16-18 x .75
6	56002983	1	Scr, Hex Hd 1/2-13 x 2.00
7	56003073	1	Scr, Hex Hd Loc 5/16-18 x 1.00
8	56009086	1	Nut, Hex Jam 5/16-18
9	56320595	1	Bushing, .32 x .50 x .28
10	56367168	2	Bearing, Sleeve
11	56416411	1	Stop, Broom
12	56416412	1	Stop, Broom
13	56416597	1	Handle, Adjustable
14	56418252	1	Side Broom Lift Lever Assy (see Side Broom System (Continued))
15	56418738	1	Bushing, .52 x .62 x 1.06
16	56418908	1	Linkage
17	56418909	1	Linkage
18	56419021	1	Side Broom Assy (see Side Broom System (Continued))
19	56419028	1	Lever Weld't.
20	56372088	1	Switch, Side Broom



Item	Ref. No.	Qty	Description
	56418252	1	Side Broom Lift Lever Assy (#1-10)
1	56001879	2	Wsh, Flt SAE 1/2
2	56001939	3	Wsh, Flt SAE 5/16
3	56002956	3	Scr, Hex Hd Loc 5/16-18 x .75
4	56002983	1	Scr, Hex Hd 1/2-13 x 2.00
5	56320595	3	Bushing, .32 x .50 x .28
6	56364527	1	Knob
7	56367168	2	Bearing, Sleeve
8	56418240	1	Lever Weld't.
9	56418241	1	Lever Weld't.
10	56418738	1	Bushing, .52 x .62 x 1.06
	56419021	1	Side Broom Assy (#11-37)
11	56001831	6	Scr, Hex Hd 1/2-13 x 1.25
12	56001879	5	Wsh, Flt SAE 1/2
13	56001895	3	Scr, Hex Hd 1/2-13 x 1.00
14	56002058	1	Scr, Hex Hd 3/8-16 x 2.25
15	56002127	2	Scr, Hex Hd 3/8-16 x .75
16	56002221	1	Scr, Hex Hd 5/16-18 x 1.00
17	56002843	9	Nut, Hex Nyl Loc-Thin 1/2-13
18	56003494	1	Pin, Spr. .31 x 1.38
19	56009022	4	Wsh, Flt .75 x 1.25 x .12
20	56009086	1	Nut, Hex Jam 5/16-18
21	56185263	2	Bearing, Sleeve
22	56367168	4	Bearing, Sleeve
23	56367206	4	Bushing
24	56418528	1	Thumb Nut Weld't.
25	56418541	1	Lower Bracket, Side Broom
26	56418544	1	Hub, Side Broom
27	56418652	1	Side Broom Arm Weld't.
28	56418670	1	Guard, Side Broom
29	56418684	1	Arm, Side Broom, Lower
30	56477812	1	Broom, Side H. Duty
**	56418837	1	Broom, Side, Nylon
**	56418838	1	Broom, Side, Wire
31	56418977	1	Side Broom Motor Assy
*	56418976	1	Motor, Side Broom
*	56418462	1	Valve, Check
*	56900104	1	Elbow, 90 O-Ring
32	56419019	1	Motor Bracket Weld't.
33	56419022	1	Bracket, Side Broom
34	56419023	1	Upper Bracket, Side Broom
35	56419024	1	Side Broom Pivot Weld't.
36	56419027	1	Cable, Side Broom
37	56761327	1	Spring, Comp.

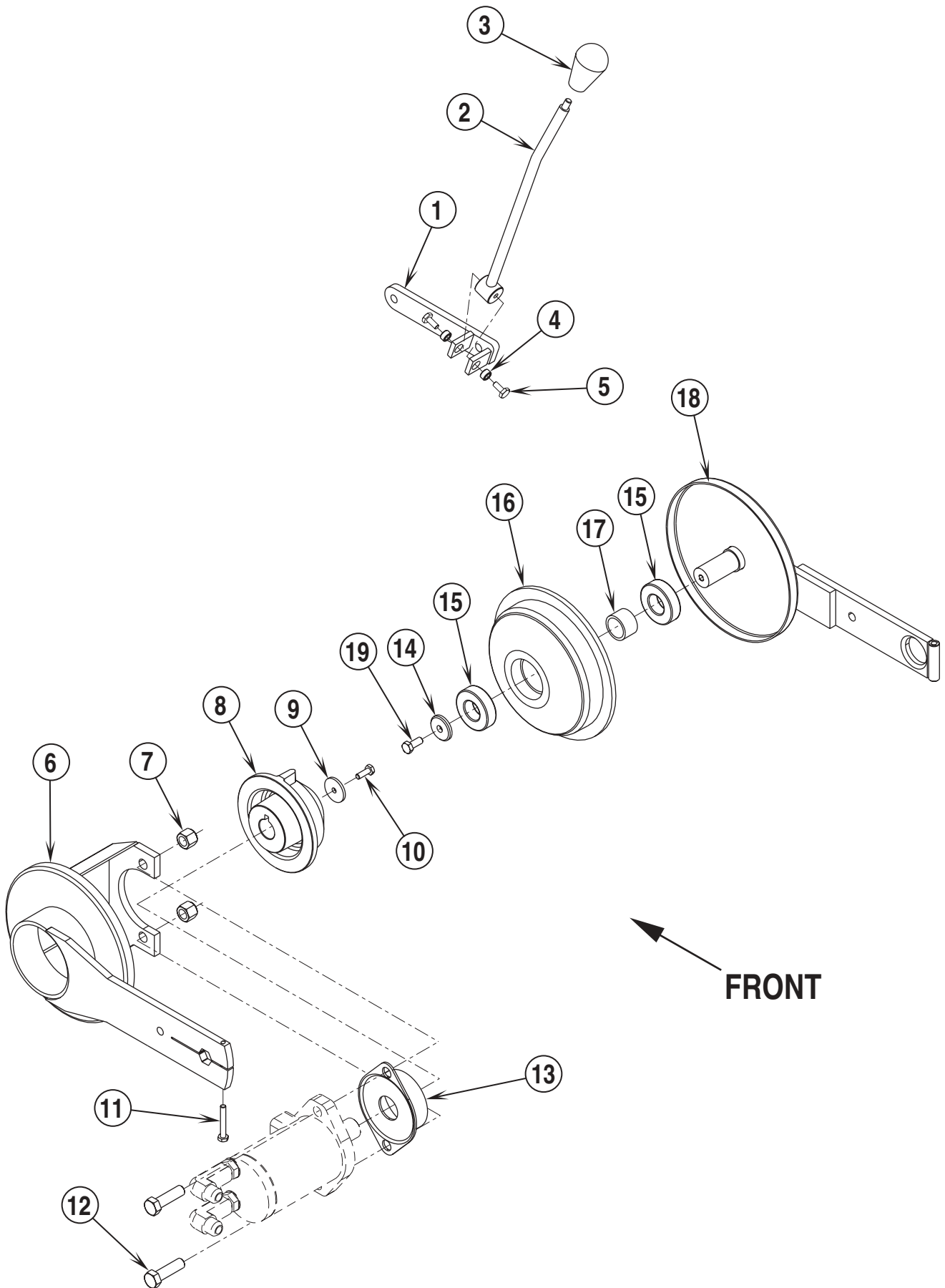
\* = Not Shown

\*\* = Optional



Item	Ref. No.	Qty	Description
1	56001821	6	Scr, Hex Hd 1/4-20 x .88
2	56001879	5	Wsh, Flt SAE 1/2
3	56001996	5	Scr, Hex Hd 1/2-13 x .75
4	56002035	2	Scr, Hex Hd 5/16-18 x .62
5	56002063	4	Wsh, Flt SAE 3/8
6	56002093	5	Scr, Hex Hd 1/4-20 x 1.00
7	56002094	1	Scr, Hex Hd 5/16-18 x 1.50
8	56002095	1	Scr, Hex Hd 3/8-16 x 1.50
9	56418906	1	Stop, Broom
10	56002155	3	Scr, Hex Hd 1/4-20 x .75
11	56002271	4	Scr, Hex Hd 3/8-16 x .88
12	56002711	2	Scr, Flt Phil 1/4-20 x .88
13	56002708	5	Nut, Hex Nyl Loc 1/4-20
14	56002769	6	Nut, Hex Nyl Loc 3/8-16
15	56002840	8	Nut, Hex Nyl Loc-Thin 1/4-20
16	56002841	1	Nut, Hex Nyl Loc-Thin 3/8-16
17	56003484	2	Scr, Hex Grd 8 1/4-20 x 1.75
18	56009060	1	Wsh, Flt SS .260 x 1.00 x .074
19	56009033	5	Scr, Hex Thd Form 1/4-20 x .50
20	56416597	1	Handle, Adjustable
21	56320595	2	Bushing .32 x .50 x .28
22	56365030	3	Bushing .50 x .62 x .27
23	56416086	3	Bearing, Hex Flange
24	56416377	1	Spacer, Shaft
25	56416382	1	Broom Arm Nut Weldment
26	56418049	1	Spacer, Shaft
27	56418050	1	Right Hex Arm Weldment
28	56418055	2	Arm, Hex Broom
29	56418056	1	Idler Hub Assembly (see Main Broom System (Continued))
30	56418061	1	Link, Lift
31	56418062	1	Plate, Left Access
32	56418063	1	Skirt, Left
33	56418121	1	Skirt, Broom Housing
34	56418194	1	Drive Lug Assembly (see Main Broom System (Continued))
35	56418308	1	Lift Lever Assembly (see Main Broom System (Continued))
36	56418701	1	Block, Hex Clamp
37	56418376	1	Strap, Right Broom Housing
38	56418687	1	Lift Link Weldment
39	56418438	1	Gasket, RS Strip
40	56418554	1	Link, Lift
41	56416411	1	Stop, Broom
42	56418650	1	Broom Adjuster Weldment
43	56462157	1	Support, Blade
44	56462158	1	Strap, Blade
45	56462159	1	Blade, Broom Housing
46	56462160	1	Blade, Internal Broom Housing
47	56478781	3	Bearing, Sleeve
48	56505240	1	Broom, Main, Proex / Wire
**	56505071	1	Broom, Main, Polypropylene
**	56505207	1	Broom, Main, Proex / Wire, 12 Row
**	56505210	1	Broom, Main, Nylon
**	56505209	1	Broom, Main, Proex, 12 Row
**	56505208	1	Broom, Main, Polypropylene / Wire
**	56505211	1	Broom, Main, Proex
49	56001873	2	Scr, Hex Hd 3/8-16 x 2.50

\*\* = Optional

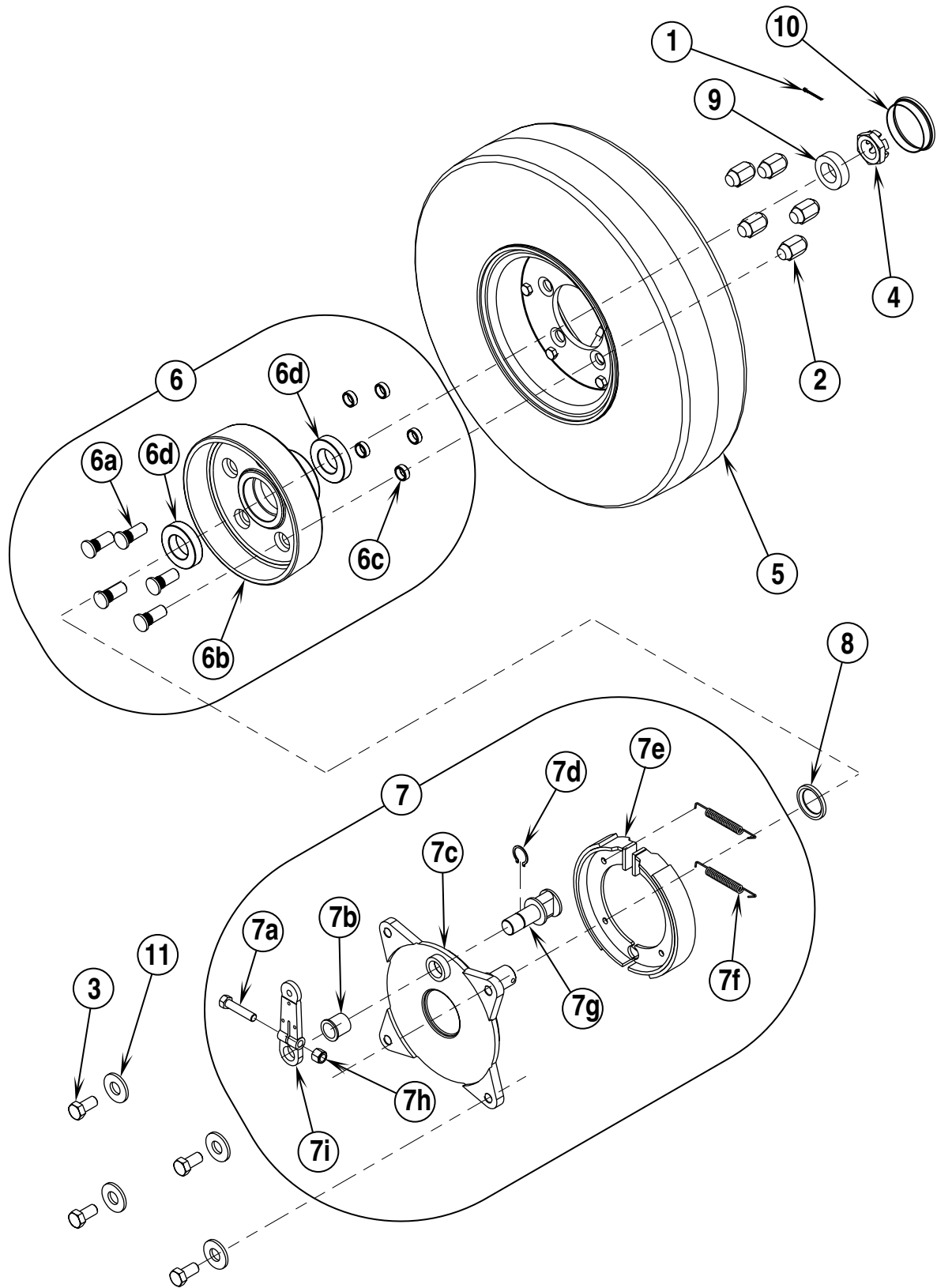


00-5	<b>MAIN BROOM SYSTEM (CONTINUED)</b>	<b>BOOK F</b>		
01-8	<b>SR 1800 / Retriever™ 2060</b>	<b>F</b>	<b>8.6.1</b>	<b>31</b>

Item	Ref. No.	Qty	Description
	56418308	1	Lift Lever Assembly (#1-5)
1	56418301	1	Lever Weldment
2	56487929	1	Lever Weldment
3	56364527	1	Knob
4	56320595	2	Bushing .32 x .50 x .28
5	56002035	2	Scr, Hex Hd 5/16-18 x .62
	56418194	1	Drive Lug Assembly (#6-13)
6	56418052	1	Left Side Arm Weldment
7	56002770	2	Nut, Hex Nyl Loc 1/2-13
8	56477762	1	Hub, Driver
9	56009199	1	Wsh, Flt Brass .26 x 1.25 x .12
10	56002155	1	Scr, Hex Hd 1/4-20 x .75
11	56003484	1	Scr, Hex Grd 8 1/4-20 x 1.75
12	56001995	2	Scr, Hex Hd 1/2-13 x 1.75
13	56455997	1	Broom Motor Seal Guard
	56418056	1	Idler Hub Assembly (#14-19)
14	56358959	1	Washer, Flat
15	56479430	2	Bearing, Ball
16	56493845	1	Hub, Idler
17	56479434	1	Bushing
18	56418057	1	Idler Arm Weldment
19	56002956	1	Scr, Hex Hd Loc 5/16-18 x .75

\* = Not Shown





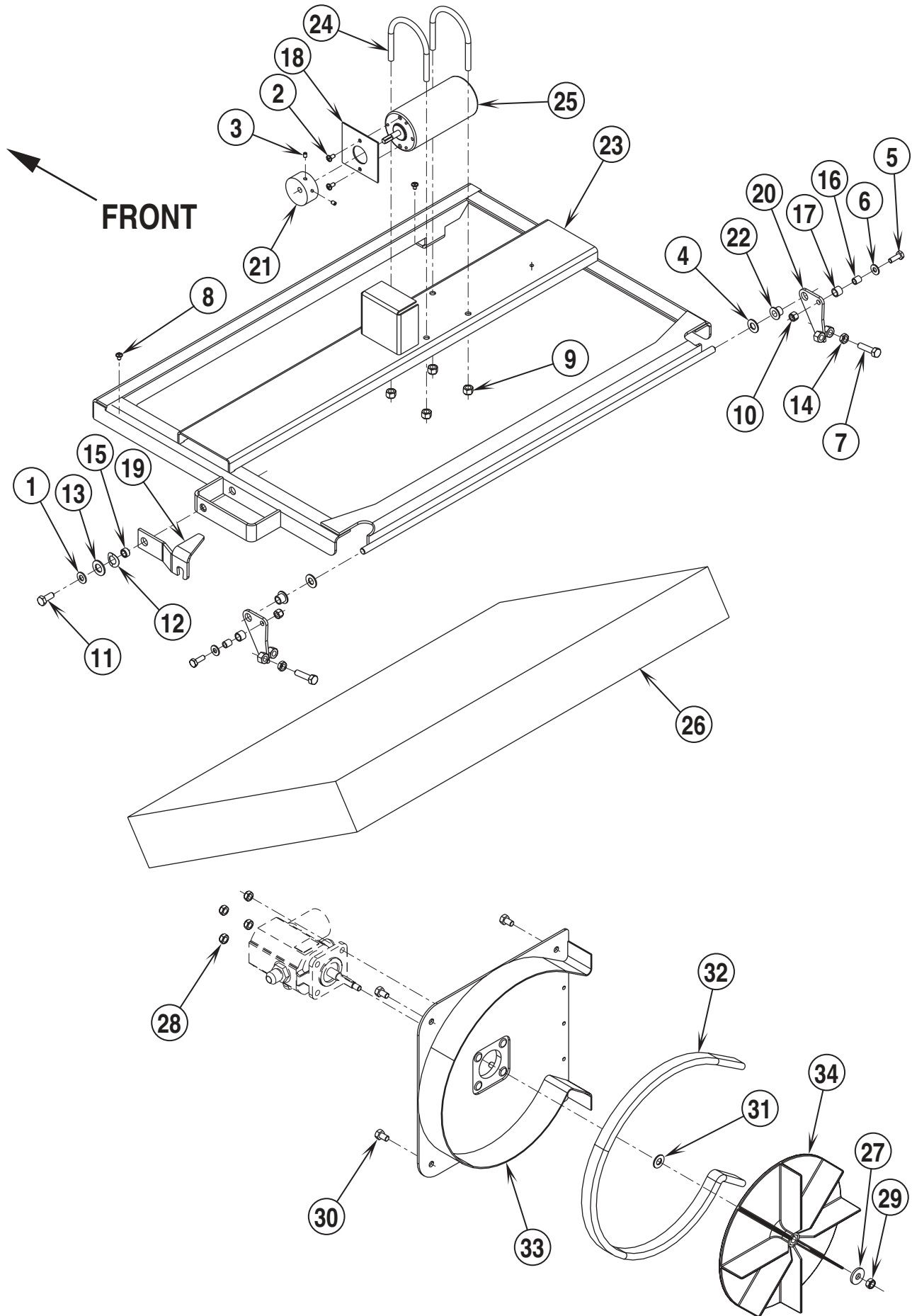
00-5	<b>FRONT WHEEL SYSTEM</b>	<b>BOOK F</b>		
01-11	<b>SR 1800 / Retriever™ 2060</b>	<b>F</b>	<b>8.6.1</b>	<b>33</b>

Item	Ref. No.	Qty	Description
1	56002330	1	Pin Cotter 3/16 x 1.75
2	56003384	5	Nut, Lug M14 x 1.50
3	56003485	4	Scr, Hex Hd 1/2-20 x 1.00
4	56101265	1	Nut, Hex Castle 1-14 Thin
5	56418075	1	Tire Assembly
*	56003179	6	Scr, Hex Thd To Hd M8-1.25 x 20mm
*	56003389	6	Nut, Hex Nyl Loc M8-1.25
*	56418076	1	Rim, 8.00 x 3.75
*	56418077	1	Tire, 5.70 / 5.00-8N
*	56418371	1	Tube
**	56418361	1	Tire, Cushion
**	56419328	1	Tire, Non-Marking
6	56418124	1	Front Hub Assembly
6a	56418080	5	Stud, M14-1.50 x 35.3
6b	56418082	1	Hub, Front
6c	56418299	5	Bushing, .75 x .56 x .29
6d	56418472	2	Bearing, Ball
7	56418467	1	Brake Assembly
7a	56002684	1	Scr, Hex Hd 3/8-16 x 1.75
7b	56418582	1	Bearing, Flange
7c	56418578	1	Casting, Mount
7d	56003108	1	Ring, Ret Ext .75 Dia.
7e	56418473	2	Brake Shoe
7f	56418581	2	Spring
7g	56418579	1	Cam
7h	56002769	1	Nut, Hex Nyl Loc 3/8-16
7i	56418580	1	Lever
8	56418480	1	Washer, Adapter
9	56418481	1	Washer, Thick
10	56462696	1	Hub Cap
11	56001879	4	Wsh, Flt SAE 1/2

\* = Not Shown

\*\* = Optional

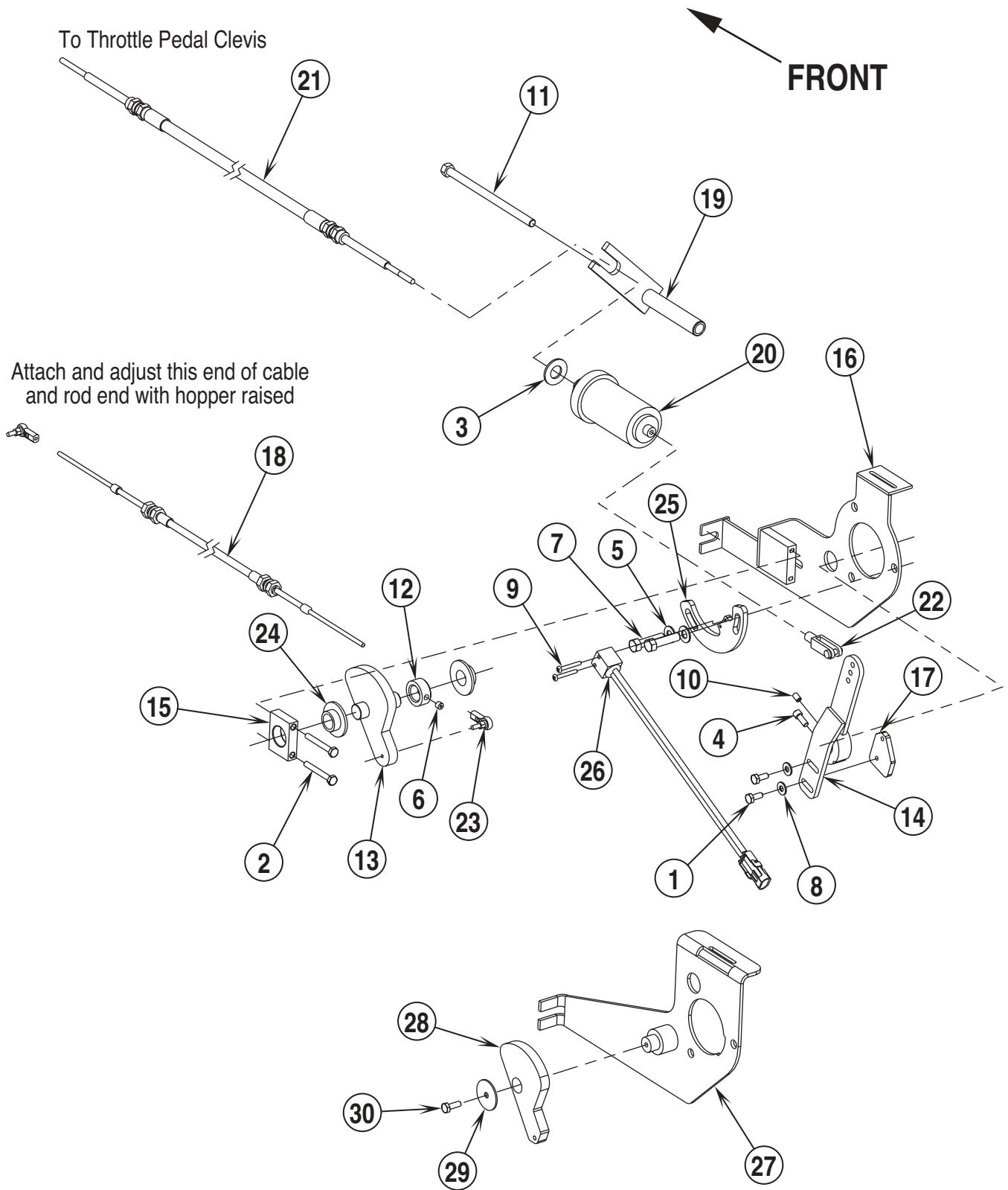
**Note:** All quantities shown on this page reflect one Front Wheel System only, there are two Front Wheel Systems on the machine.



00-5	<b>DUST CONTROL SYSTEM</b>	<b>BOOK F</b>		
01-9	<b>SR 1800 / Retriever™ 2060</b>	<b>F</b>	<b>8.6.1</b>	<b>35</b>

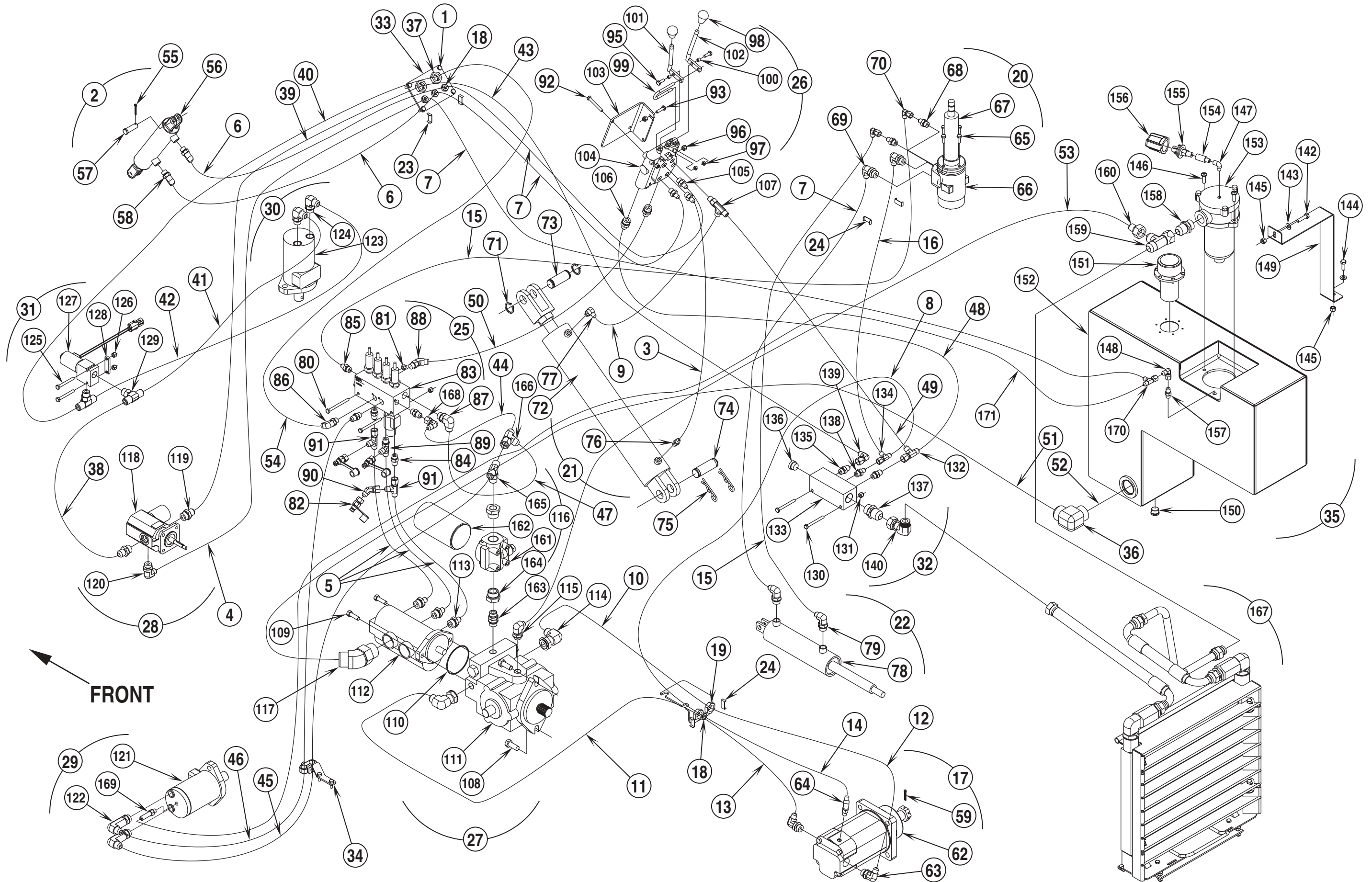
Item	Ref. No.	Qty	Description
	56418253	1	Shaker Assy (#1-25)
1	56001939	1	Wsh, Flt SAE 5/16
2	56002001	2	Scr, Pan Phil (UNF) 10-32 x .38
3	56002015	2	Scr, Soc Set loc 10-24 x .25
4	56002063	2	Wsh, Flt SAE 3/8
5	56002093	2	Scr, Hex Hd 1/4-20 x 1.00
6	56002098	2	Wsh, Flt SAE 1/4
7	56002187	2	Scr, Hex Thd To Hd 5/16-18 x 1.25
8	56002453	2	Scr, Pan Phil 10-24 x .25
9	56002701	4	Nut, Hex Nyl Loc 5/16-18
10	56002708	2	Nut, Hex Nyl Loc 1/4-20
11	56002956	1	Scr, Hex Hd Loc 5/16-18 x .75
12	56009001	1	Wsh, Bowed .516 x .906 x .008
13	56009003	1	Wsh, Flt .516 x .938 x .075
14	56009086	2	Nut, Hex Jam 5/16-18
15	56320595	1	Bushing .32 x .50 x .28
16	56321532	2	Bushing .25 x .37 x .40
17	56370754	2	Bearing, Sleeve
18	56416280	1	Shield, Shaker
19	56416511	1	Latch, Shaker
20	56416625	2	Shaker Hinge Weld't.
21	56416671	1	Eccentric
22	56416675	2	Bushing, Flange
23	56418234	1	Shaker Weld't.
24	56468329	2	U-Bolt
25	56418389	1	Motor, 12 VDC
*	56491823	1	Brush Kit for 56418389
*	56900218	1	Plug for 56418389
*	56900215	2	Connector Pin for 56900218
26	56482305	1	Filter
	56418488	1	Impeller Assy (#27-34)
27	56001939	1	Wsh, Flt SAE 5/16
28	56002826	4	Nut, Hex Nyl Loc-Thin 5/16-18
29	56002866	1	Nut, Hex Nyl Loc-Thin 5/16-24
30	56002923	4	Scr, Hex Hd Loc 5/16-18 x .50
31	56009213	1	Wsh, Flt .392 x 1.00 x .075
32	56419370	1	Trim-Seal
33	56418784	1	Impeller Bracket Weld't.
34	56418897	1	Impeller

\* = Not Shown



00-5	<b>LINKAGE ASSEMBLY</b>	<b>BOOK F</b>		
01-5	<b>SR 1800 / Retriever™ 2060</b>	<b>F</b>	<b>8.6.1</b>	<b>37</b>

Item	Ref. No.	Qty	Description
	56418783	1	Linkage Assembly
1	56001836	2	Scr, Hex Hd 1/4-20 x .62
2	56001874	2	Scr, Hex Hd 1/4-20 x 2.00 (used before SN 1477917)
3	56002022	1	Wsh, Flt SAE 5/8
4	56002032	1	Scr, Soc Hd 1/4-20 x .62
5	56002063	2	Wsh, Flt SAE 3/8
6	56002086	1	Scr, Soc Set Loc 5/16-18 x .25 (used before SN 1477917)
7	56002095	2	Scr, Hex Hd 3/8-16 x 1.50
8	56002098	2	Wsh, Flt SAE 1/4
9	56002697	2	Scr, Pan Phil 8-32 x 1.25
10	56002930	1	Scr, Soc Set Loc 1/4-20 x .38
11	56003044	1	Scr, Hex Hd 3/8-16 x 6.50
12	56367095	1	Collar, Shaft (used before SN 1477917)
13	56418178	1	Actuator Weld't. (used before SN 1477917)
14	56418181	1	Arm Weld't.
15	56418184	1	Pivot, Actuator (used before SN 1477917)
16	56418612	1	Interlock Bracket Weld't. (used before SN 1477917)
17	56418613	1	Plate, Cam
18	56418615	1	Cable, Push / Pull
19	56418892	1	Bracket Weld't.
20	56482539	1	Hydroback
21	56482540	1	Cable, Control
22	56482542	1	Clevis Assembly
23	56488290	2	Rod End
24	56491648	2	Bearing, Flange (used before SN 1477917)
25	56418966	1	Mount, Neutral Start Switch
26	56460005	1	Sealed Ball Switch Assy (Neutral Start Switch)
27	56419340	1	Interlock Bracket Weldment (used after SN 1477916)
28	56419337	1	Cam, Nylon (used after SN 1477916)
29	56009225	1	Washer, Fender (used after SN 1477916)
30	56002948	1	Scr Hex Loc 1/4-20 x .75 (used after SN 1477916)



FRONT

Item	Ref. No.	Qty	Description	Item	Ref. No.	Qty	Description
1	56009018	4	Scr, Hex Thd Form 1/4-20 x .75	47	56419074	1	Hose Assy
2	56416121	1	Hopper Door Cylinder Assy (#55-58)	48	56419075	1	Hose Assy
3	56416487	1	Hydraulic Hose	49	56419076	1	Hose Assy
4	56418312	1	Hose Assy	50	56419077	1	Hose Assy
5	56418315	3	Hose Assy	51	56419078	1	Hose Assy
6	56418321	2	Hose Assy	52	56419079	1	Hose Assy
7	56418333	4	Hose Assy	53	56419080	1	Hose Assy
8	56419182	1	Hose Assy	54	56419081	1	Hose Assy
9	56418338	1	Hose Assy	55	56002529	2	Pin, Cotter .12 x 1.00
10	56418346	1	Hose Assy	56	56416202	1	Cylinder, Hydraulic
11	56418347	1	Hose Assy	57	56486733	2	Pin
12	56418348	1	Hose Assy	58	56900110	2	Elbow, 90 O-Ring
13	56418349	1	Hose Assy	59	56002181	1	Pin, Cotter .12 x 1.50
14	56418350	1	Hose Assy	60			<b>Intentionally Omitted</b>
15	56418351	2	Hose Assy	61			<b>Intentionally Omitted</b>
16	56418352	1	Hose Assy	62	56418448	1	Motor, Wheel <b>TSB 775</b>
17	56418736	1	Wheel Motor Assy (#59-64)	*	56418833	1	Seal Kit for 56418448
18	56418744	4	Locknut, Bulkhead	63	56900116	2	Elbow, 90 O-Ring
19	56418745	2	Locknut, Bulkhead	64	56900151	1	Elbow, 45 O-Ring W/Nut
20	56418752	1	Steering Unit Assy (#65-70)	65	56003174	4	Scr, Hex Thd To Hd M6-1.0 x 16mm
21	56418762	1	Lift Cylinder Assy (#71-77)	66	56418452	1	Steering Control Unit
22	56418765	1	Steering Cylinder Assy (#78-79)	67	56477003	1	Steering Column
23	56462977	1	Sleeve	68	56900011	2	Connector, O-Ring
24	56463427	2	Sleeve	69	56900110	2	Elbow, 90 O-Ring
25	56418968	1	Relief Block Assy (#80-91, 168)	70	56900301	2	Elbow, 90 W/Nut
*	56419106	1	Seal Kit for 56418968	71	56003258	2	Ring, Ret Ext
26	56418970	1	Directional Control Valve Assy (#92-107)	72	56100038	1	Cylinder, Hopper
27	56418972	1	Pump Assy (#108-117 & 161-166)	*	56479687	1	Seal Kit for 56100038
28	56418973	1	Impeller Motor Assy (#118-120)	73	56418625	1	Pin, Cylinder Short
29	56418975	1	Main Broom Motor Assy (#121-122, 169)	74	56477581	1	Pin
30	56418977	1	Side Broom Motor Assy (#123-124)	75	56477583	2	Pin, .15 Hairpin Cotter
31	56418978	1	Side Broom Valve Assy (#125-129)	76	56900001	1	Connector, O-Ring
32	56418979	1	Manifold Hydraulic Assy (#130-140)	77	56900101	1	Elbow, 90 O-Ring
33	56418980	1	Plate, Bulkhead	78	56418441	1	Cylinder, Hydraulic
34	56418988	1	Hose Bracket Assy	*	56488723	1	Seal Kit for 56418441
*	56001833	1	Scr, Hex Hd 1/4-20 x 1.50	79	56900101	2	Elbow, 90 O-Ring
*	56002155	2	Scr, Hex Hd 1/4-20 x .75	80	56002603	2	Scr, Hex Hd 1/4-20 x 3.00
*	56002708	1	Nut, Hex Nyl Loc 1/4-20	81	56002708	2	Nut, Hex Nyl Loc 1/4-20
*	56492753	1	Clamp, Tube	82	56418865	3	Coupling, #6 Test Port
*	56418989	1	Bracket, Hose	83	56418964	1	Block, Relief
35	56418990	1	Reservoir Assy (#142-160, 170)	*	56419397	A/R	Relief Valve Cartridge (4 per relief block)
36	56419063	1	Elbow, 90 Union 37	*	56419396	A/R	Solenoid Valve Cartridge
37	56419064	2	Locknut, Bulkhead	*	56419395	A/R	Flow Divider Cartridge
38	56419065	1	Hose Assy	84	56900003	4	Connector, O-Ring
39	56419066	1	Hose Assy	85	56900011	1	Connector, O-Ring
40	56419067	1	Hose Assy	86	56900103	1	Elbow, 90 O-Ring
41	56419068	1	Hose Assy	87	56900104	1	Elbow, 90 O-Ring
42	56419069	1	Hose Assy	88	56900153	1	Elbow, 45 O-Ring W/Nut
43	56419070	1	Hose Assy	89	56900203	1	Tee, Run O-Ring
44	56419071	1	Hose Assy	90	56900323	1	Elbow, 45 W/Nut
45	56419072	1	Hose Assy	91	56900343	2	Tee, Run W/Nut
46	56419073	1	Hose Assy				

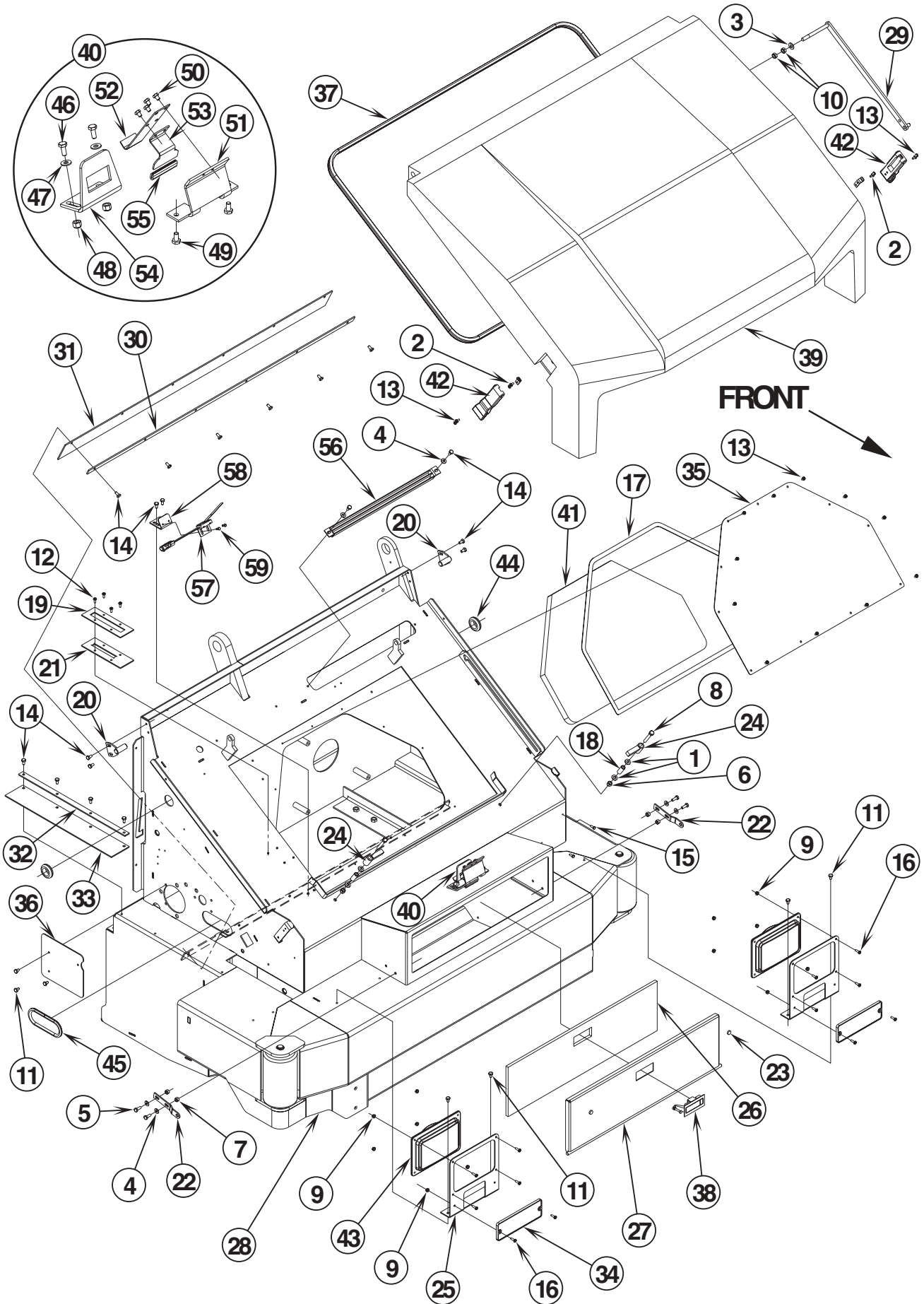
\* = Not Shown



00-5	<b>HYDRAULIC SYSTEM</b>	<b>BOOK F</b>		
01-5	<b>SR 1800 / Retriever™ 2060</b>	<b>F</b>	<b>8.6.1</b>	<b>41</b>

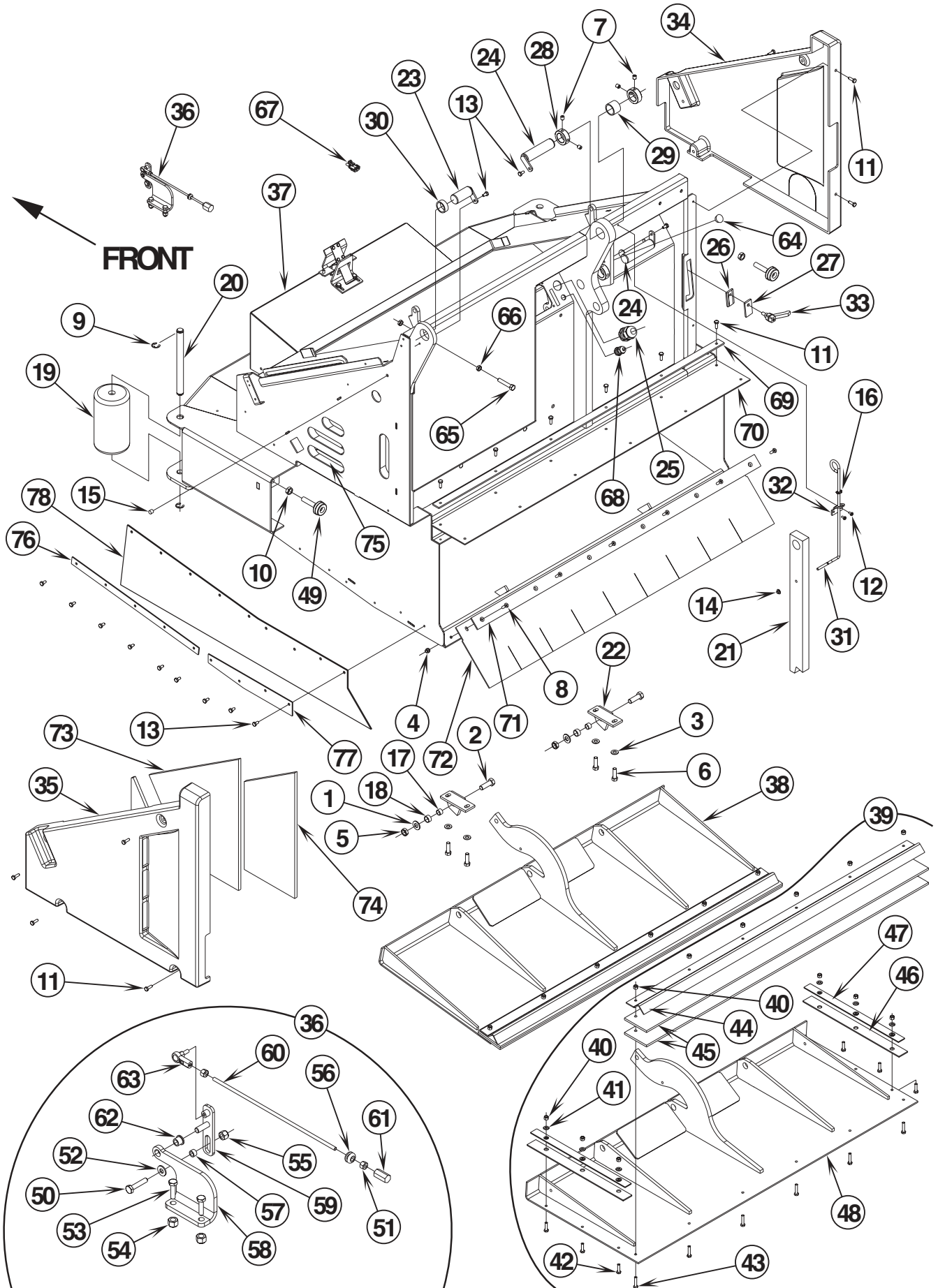
Item	Ref. No.	Qty	Description	Item	Ref. No.	Qty	Description
92	56001874	2	Scr, Hex Hd 1/4-20 x 2.00	129	56900254	2	Tee, Branch O-Ring
93	56002093	2	Scr, Hex Hd 1/4-20 x 1.00	130	56001855	2	Scr, Hex Hd 1/4-20 x 2.50
94			<b>Intentionally Omitted</b>	131	56002708	2	Nut, Hex Nyl Loc 1/4-20
95	56002504	2	Scr, Hex Hd 10-24 x .75	132	56900343	1	Tee, Run W/Nut
96	56002708	5	Nut, Hex Nyl Loc 1/4-20	133	56418998	1	Manifold, Hydraulic
97	56002832	2	Nut, Hex Nyl Loc-Thin 10-24	134	56900341	1	Tee, Run W/Nut
98	56378534	2	Knob	135	56900003	2	Connector, O-Ring
99	56416246	1	U-Clip, Valve	136	56463403	1	Plug, Hex Soc O-Ring
100	56416394	2	Bushing	137	56900006	1	Connector, O-Ring
101	56418657	1	Left Lever Weld't.	138	56900011	1	Connector, O-Ring
102	56418658	1	Right Lever Weld't.	139	56900303	1	Elbow, 90 W/Nut
103	56418660	1	Bracket, Valve	140	56900306	1	Elbow, 90 W/Nut
104	56418969	1	Valve, Directional Control	141			<b>Intentionally Omitted</b>
*	56418819	1	Seal for 56418969	142	56001834	1	Scr, Hex Hd 5/16-18 x 1.25
105	56900011	3	Connector, O-Ring	143	56001939	2	Wsh, Fit SAE 5/16
106	56900013	2	Connector, O-Ring	144	56002037	1	Scr, Hex Hd 5/16-18 x .88
107	56900203	1	Tee, Run O-Ring	145	56002701	2	Nut, Hex Nyl Loc 5/16-18
108	56001831	2	Scr, Hex Hd 1/2-13 x 1.25	146	56002943	2	Scr, Pan Phil Loc 5/16-18 x 1.00
109	56002254	2	Scr, Hex Hd 3/8-24 x 1.25	147	56111309	1	Elbow, 90 Street
110	56488002	1	O-Ring	148	56900301	1	Elbow, 90 W/Nut
111	56497918	1	Pump, Piston	149	56418787	1	Strap, Hydraulic Reservoir
*	56418825	1	Seal Kit for 56497918	150	56463403	1	Plug, Hex Soc O-Ring
112	56418963	1	Pump, Triple Gear	151	56479656	1	Cap, Filler
*	56418987	1	Seal Kit for 56418963	152	56418914	1	Reservoir Weld't.
113	56900014	3	Connector, O-Ring	153	56418992	1	Oil Filter Assy
114	56900116	2	Elbow, 90 O-Ring	*	56419083	1	Replacement Oil Filter
115	56900115	1	Elbow, 90 O-Ring	154	56418993	1	Adapter, 1/8 NPT
116	56419255	1	Oil Filter Assembly (#161-166)	155	56418994	1	Switch, N.O. Pressure
117	56900915	1	Elbow, 45 STR.-THD.	156	56419241	1	Dust Boot
118	56418971	1	Motor, Hydraulic	157	56900001	1	Connector, O-Ring
*	56419178	1	Seal Kit for 56418971	158	56900006	1	Connector, O-Ring
*	56419176	1	Solenoid Cartridge for 56418971	159	56900346	1	Tee, Run W/Nut
*	56419177	1	Solenoid Coil for 56418971	160	56900469	1	Reducer
119	56900004	2	Connector, O-Ring	161	56419253	1	Head, Oil Filter
120	56900101	1	Elbow, 90 O-Ring	162	56419254	1	Oil Filter Cartridge
121	56418974	1	Motor, Main Broom <b>TSB 777</b>	163	56900924	1	Union, Straight Thread
*	56479577	1	Seal Kit for 56418974	164	56900925	2	Reducer, Straight Thread
122	56900524	2	Elbow, 90 Long O-Ring	165	56900254	1	Tee, Branch O-Ring
123	56418976	1	Motor, Side Broom	166	56900344	1	Tee, Run W/Nut
*	56479577	1	Seal Kit for 56418976	167	56418952	1	Oil Cooler Assy ( <b>diesel</b> ) ( <b>see Radiator Assembly (diesel)</b> )
124	56900104	2	Elbow, 90 O-Ring				Oil Cooler Assy ( <b>gas/propane/dual fuel</b> ) ( <b>see Radiator Assembly (gas)</b> )
125	56001856	2	Scr, Hex Hd 1/4-20 x 2.25	56419130	1	Elbow, 90 W/Nut	
126	56002708	2	Nut, Hex Nyl Loc 1/4-20	168	56900303	1	Connector, Extended O-Ring <b>TSB 731</b>
127	56418104	1	Valve, Solenoid	169	56900051	1	Tee, Run W/Nut <b>TSB 731</b>
*	56418816	1	Seal Kit for 56418104	170	56900341	1	Hose Assy <b>TSB 731</b>
128	56418986	1	Spacer, Solenoid Valve	171	56419362	1	

\* = Not Shown



00-5	<b>HOPPER SYSTEM-1</b>	<b>BOOK F</b>		
01-5	<b>SR 1800 / Retriever™ 2060</b>	<b>F</b>	<b>8.6.1</b>	<b>43</b>

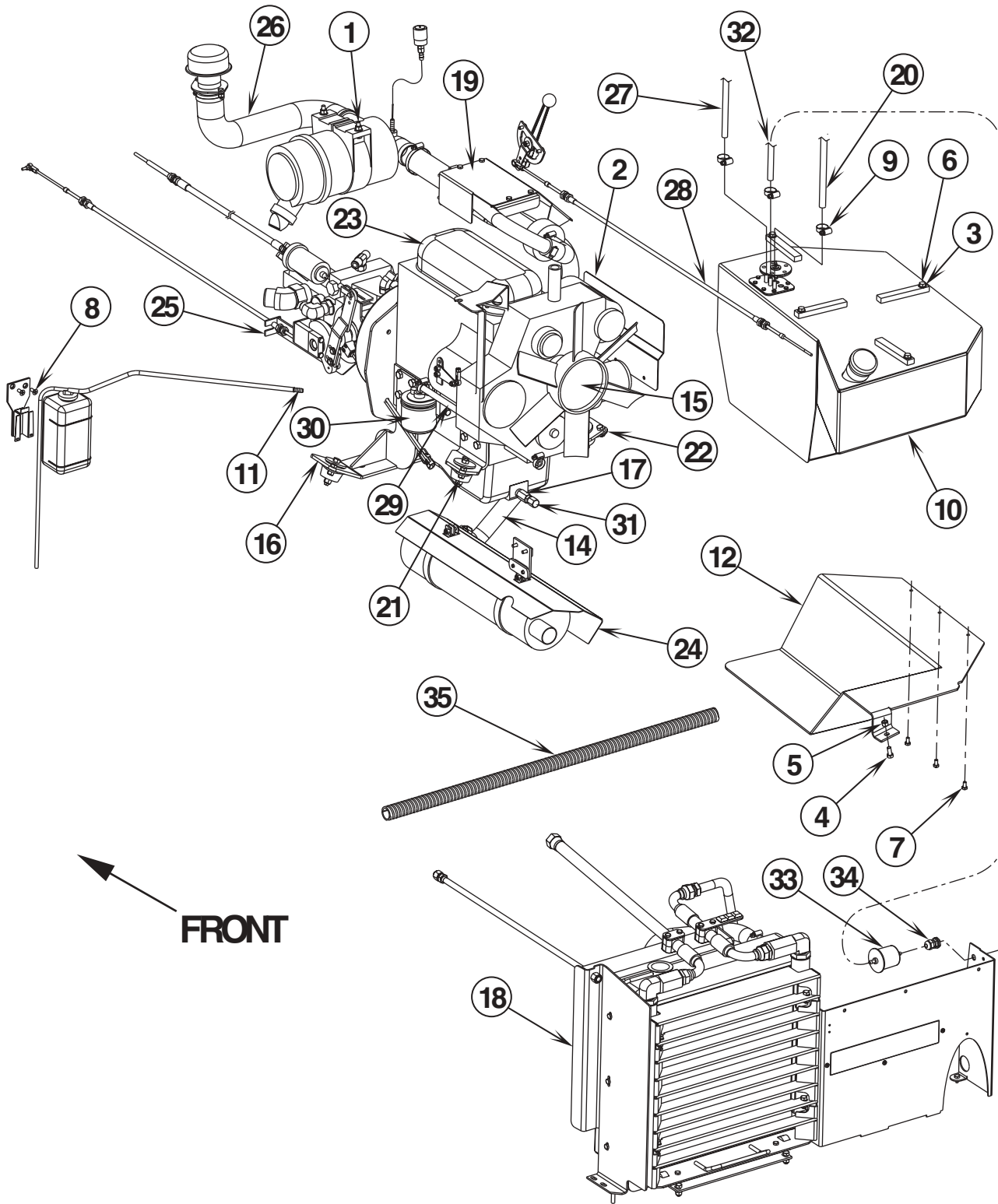
Item	Ref. No.	Qty	Description
1	56001939	4	Wsh, Flt SAE 5/16
2	56002043	4	Scr, Pan Phil 10-24 x .38
3	56002063	1	Wsh, Flt SAE 3/8
4	56002098	6	Wsh, Flt SAE 1/4
5	56002155	4	Scr, Hex Hd 1/4-20 x .75
6	56002701	2	Nut, Hex Nyl Loc 5/16-18
7	56002708	4	Nut, Hex Nyl Loc 1/4-20
8	56002721	2	Scr, Hex Hd 5/16-18 x 2.00
9	56002832	12	Nut, Hex Nyl Loc-Thin 10-24
10	56002841	2	Nut, Hex Nyl Loc-Thin 3/8-16
11	56009019	7	Scr, Hex Thd Form 1/4-20 x .38
12	56009029	4	Scr, Pan Phil Thd Form 10-24 x .50
13	56009030	15	Scr, Pan Phil Thd Form 10-24 x .38
14	56009033	18	Scr, Hex Thd Form 1/4-20 x .50
15	56009039	2	Scr, Hex Thd Form 10-24 x .50
16	56009100	12	Scr, Pan Phil Thd Form-Blk 10-24 x .62
17	56200754	6.5'	Gasket, Strip Raw
18	56300241	2	Bushing .33 x .50 x 1.30
19	56419265	1	Plate, Boot
20	56416247	2	Hopper Cover Hinge Weld't.
21	56419264	1	Boot, Hopper
22	56416365	2	Plate, Hinge
23	56416668	2	Bumper, Self-Adhesive
24	56416674	2	Filter Clamp Weld't.
25	56418086	2	Bracket, Headlight
26	56418172	1	Gasket, Litter Door
27	56418229	1	Litter Door Weld't.
28	56418245	1	Hopper Weld't.
29	56418255	1	Hood Prop Weld't.
30	56418294	1	Strap, Inside Blade
31	56418295	1	Blade, Inside
32	56418296	1	Strap, Dust Shield
33	56418297	1	Shield, Dust
34	56418373	2	Lens, Amber
35	56418453	1	Panel, Access
36	56418664	1	Cover
37	56418815	1	Gasket
38	56418827	1	Latch, Lift & Turn
39	56418842	1	Cover, Hopper
40	56418847	1	Latch Assy (#46-55)
41	56418862	1	Foam
42	56462746	2	Latch
43	56481543	2	Headlight
44	56486116	2	Grommet
45	56419109	1	Edge Trim, Rubber
46	56001836	2	Scr, Hex Hd 1/4-20 x .62
47	56002098	2	Wsh, Flt SAE 1/4
48	56002708	2	Nut, Hex Nyl Loc 1/4-20
49	56003039	2	Scr, Hex Hd Loc 1/4-20 x .50
50	56009063	4	Scr, Hex Thd Form 10-24 x .25
51	56418843	1	Bracket, Latch
52	56418844	1	Latch
53	56418845	1	Latch Pull
54	56418846	1	Strike, Latch
55	56755581	2"	Trim (5cm)
56	56419322	1	Grille Weldment
57	56418165	1	Switch, Waterproof (after SN 1477900)
58	56419335	1	Bracket, Switch (after SN 1477900)
59	56002834	2	Scr, Hex 10-24 x .38 (after SN 1477900)



00-5	<b>HOPPER SYSTEM-2</b>	<b>BOOK F</b>		
02-9	<b>SR 1800 / Retriever™ 2060</b>	<b>F</b>	<b>8.6.1</b>	<b>45</b>

Item	Ref. No.	Qty	Description	Item	Ref. No.	Qty	Description
1	56001879	2	Wsh, Flt SAE 1/2	49	56449221	2	Bumper, 1.43 Dia.
2	56001968	2	Scr, Hex Hd 1/2-13 x 1.50	50	56001878	1	Scr, Hex Hd 1/4-20 x 1.25
3	56002063	4	Wsh, Flt SAE 3/8	51	56001987	2	Nut, Hex Machine 10-32
4	56002491	6	Nut, Hex Nyl Loc SS 1/4-20	52	56002098	1	Wsh, Flt SAE 1/4
5	56002843	2	Nut, Hex Nyl Loc-Thin 1/2-13	53	56002221	2	Scr, Hex Hd 5/16-18 x 1.00
6	56003029	4	Scr, Hex Hd Loc 3/8-16 x 1.25	54	56002701	2	Nut, Hex Nyl Loc 5/16-18
7	56003081	4	Scr, Soc Set Loc 3/8-16 x .38	55	56002708	1	Nut, Hex Nyl Loc 1/4-20
8	56003086	6	Scr, Flt Phil SS 1/4-20 x .88	56	56321559	1	Grommet
9	56003266	4	Ring, Ret Ext Type E .75 Dia.	57	56379298	1	Bushing
10	56009016	2	Nut, Hex Jam 1/2-13	58	56418152	1	Bracket
11	56009018	15	Scr, Hex Thd Form 1/4-20 x .75	59	56418154	1	Lever Weld't.
12	56009030	2	Scr, Pan Phil Thd Form 10-24 x .38	60	56418160	1	Rod
13	56009033	12	Scr, Hex Thd Form 1/4-20 x .50	61	56418889	1	Nut
14	56009132	1	Nut, Push Cap 1/4	62	56444502	1	Bearing, Flange
15	56106046	1	Pipe, Plug 1/8 Brass	63	56488290	1	Rod End
16	56302164	1	Bearing, Flange	64	56900041	1	Plug, Cap
17	56360627	2	Bushing	65	56002091	1	Scr, Hex Hd 3/8-16 x 2.00 (after SN 1477900)
18	56370878	2	Bearing, Sleeve	66	56009085	2	Nut, Hex Jam 3/8-16 (after SN 1477900)
19	56409335	2	Bumper	67	56462361	1	Conn, 2 Way Female
20	56409336	2	Pin	68	56323067	1	Strain Relief
21	56416250	1	Hopper Prop	69	56418288	1	Strap, Horizontal Seal
22	56416253	2	Hinge Weld't.	70	56418289	1	Seal, Horizontal
23	56416308	1	Left Hinge Pin Weld't.	71	56418292	1	Strap, Threshold
24	56416309	2	Right Hinge Pin Weld't.	72	56418982	1	Skirt, Threshold
25	56416406	1	Strain Relief	73	56418860	1	Foam
26	56416411	1	Stop, Broom	74	56418861	1	Foam
27	56416412	1	Stop, Broom	75	56418863	1	Foam
28	56416498	3	Collar, Hopper Hinge	76	56418942	1	Strap, Side Blade
29	56416535	1	Bearing, Sleeve	77	56418943	1	Strap, Side Blade
30	56416536	1	Bearing, Sleeve	78	56418944	1	Blade, Litter Shield
31	56416590	1	Rod, Pull				
32	56416592	1	Guide, Pull Rod				
33	56416597	1	Handle, Adjustable				
34	56418126	1	Panel, Hopper, Right				
35	56418127	1	Panel, Hopper, Left				
36	56418157	1	Switch Actuator Assy (#50-63) (before SN 1477901)				
37	56418245	1	Hopper Weld't.				
38	56419263	1	Dump Door Assy. <b>TSB 746, TSBUS2002-816</b> (before SN 1610505)				
*	56002491	6	Nut, Hex Nyl Loc SS 1/4-20				
*	56002897	6	Scr, Hex Hd SS 1/4-20 x 1.25				
*	56419258	1	Dump Door Weld't.				
*	56418283	1	Angle, Dump Door				
*	56418284	2	Blade, Dump Door				
39	56419442	1	Dump Door Assy. (items 40-48) <b>TSBUS2002-822</b> (after SN 1610504)				
40	56002491	12	Nut, Hex Nyl Loc SS 1/4-20				
41	56002859	6	Wsh, Flt SAE SS 1/4				
42	56002883	6	Scr, Hex Hd SS 1/4-20 x 1.00				
43	56002897	6	Scr, Hex Hd SS 1/4-20 x 1.25				
44	56418283	1	Angle, Dump Door				
45	56418284	2	Blade, Dump Door				
46	56419440	2	Wiper, Dump Door				
47	56419441	2	Strap				
48	56419443	1	Dump Door Weldment				

\* = Not Shown



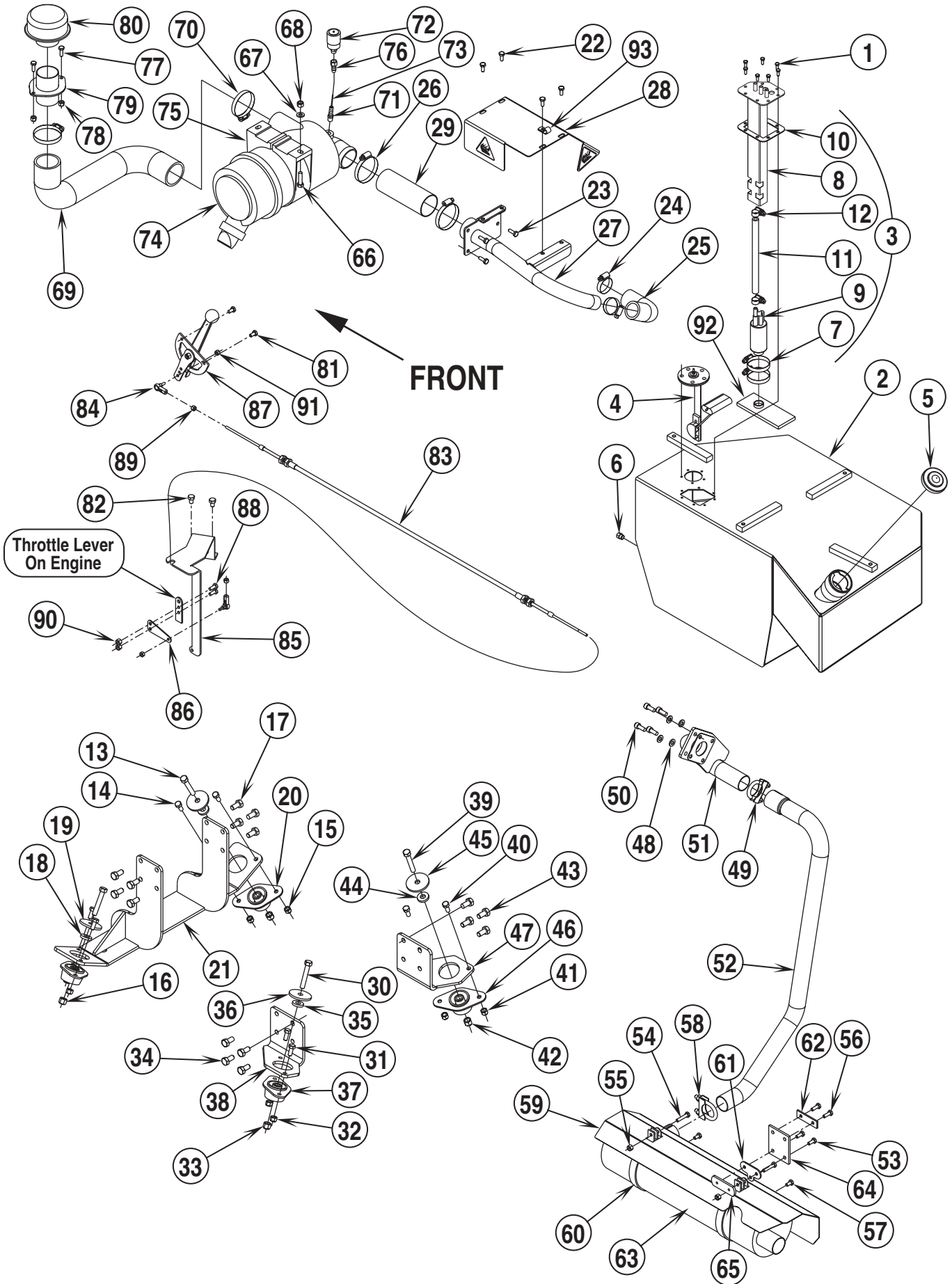
00-5	<b>DIESEL ENGINE SYSTEM</b>	<b>BOOK F</b>		
04-3	<b>SR 1800 / Retriever™ 2060</b>	<b>F</b>	<b>8.6.1</b>	<b>47</b>

Item	Ref. No.	Qty	Description
1	56001834	1	Scr, Hex Hd 5/16-18 x 1.25
2	56419257	1	Heat Shield
3	56001939	4	Wsh, Flt SAE 5/16
4	56002667	1	Scr, Hex Hd 5/16-18 x .75
5	56002701	2	Nut, Hex Nyl Loc 5/16-18
6	56002929	4	Scr, Hex Hd Loc 5/16-18 x .62
7	56009033	3	Scr, Hex Thd Form 1/4-20 x .50
8	56009137	2	Scr, Flt Phil Thd Form 1/4-20 x .62
9	56219932	7	Clamp, Hose SAE #6
10	56418508	1	Fuel Tank Assy (See Diesel Engine System Components)
11	56418777	1	Barb, Connector 5/16 x 5/16
12	56418850	1	Fuel Tank Guard Weld't.
13			<b>Intentionally Omitted</b>
14	56419169	1	Exhaust Pipe Assembly (See Diesel Engine System Components)
15	56418718	1	Fan
*	56418928	1	Fan Spacer
*	56003368	4	Scr, Soc Hd M6-1.00 x 20mm
*	56001836	4	Scr, Hex Hd 1/4-20 x .62
16	56418933	1	Rear Engine Mount Assy (See Diesel Engine System Components)
17	56418938	1	Fitting, Adapter
18	56418962	1	Assembly, Radiator (See Radiator Assembly (diesel))
19	56419004	1	Air Tube Assembly (See Diesel Engine System Components)
20	56419035	1	Hose, Fuel Line
21	56419050	1	Right Engine Mount Assy (See Diesel Engine System Components)
22	56419051	1	Left Engine Mount Assy (See Diesel Engine System Components)
23	56419052	1	Engine, Diesel
24	56419056	1	Muffler Assembly (See Diesel Engine System Components)
25	56418783	1	Linkage Assembly (See Linkage Assembly)
26	56419058	1	Air Cleaner Assembly (See Diesel Engine System Components)
27	56419059	1	Hose, Fuel Line
28	56419082	1	Throttle Cable Assembly
29	56492259	1	Hose, Fuel Line
30	56419054	1	Fuel Filter Kit
*	56419211	1	Bracket, Fuel Filter
31	56900917	1	Cap, Flare Tube End
*	56900003	1	Connector, O-Ring
32	56481684	1	Hose, Fuel Line (after SN 1451898) TSB 734
33	56492885	1	Fuel Filter Kit 1/4 (after SN 1451898) TSB 734
34	56323067	1	Strain Relief (after SN 1451898) TSB 734
35	56418835	1	Conduit <b>Note 1</b>
*	56463590	1	Glow Plug Timer
*	56419085	1	Alternator
*	56419086	1	Fuel Filter Cartridge
*	56482659	1	Engine Oil Filter
*	56419084	1	Alternator Belt
*	56419087	1	Fan Belt
*	56419088	1	Thermostat
*	56419089	1	Starter Motor
*	56419090	1	Switch, Engine Oil Pressure
*	56419091	1	Switch, Temperature
*	56419445	1	Shutdown Solenoid TSB 825
*	56419107	1	Exhaust Gasket
**	56419301	1	Stiff Engine Mount Kit
**	56419361	1	Soft Engine Mount Kit

\* = Not Shown

\*\* = Optional

**Note 1:** Item 35 Conduit goes over item 20 Fuel Line.

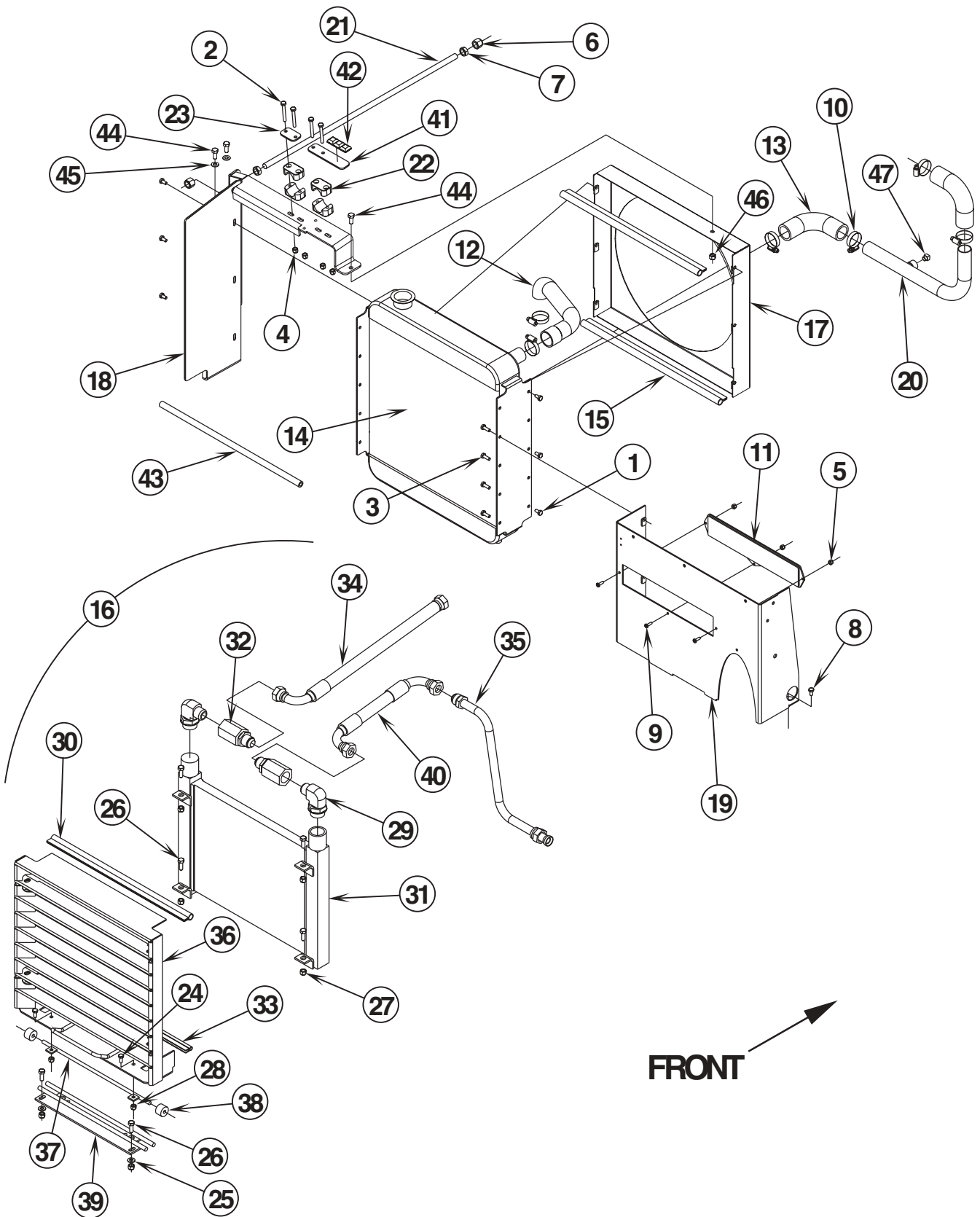




00-5	<b>DIESEL ENGINE SYSTEM COMPONENTS</b>	<b>BOOK F</b>		
01-8	<b>SR 1800 / Retriever™ 2060</b>	<b>F</b>	<b>8.6.1</b>	<b>49</b>

Item	Ref. No.	Qty	Description	Item	Ref. No.	Qty	Description
	56418508	1	Fuel Tank Assembly (#1-12, 92)		56419169	1	Exhaust Pipe Assembly (#48-52)
1	56009039	7	Scr, Hex Thd Form 10-24 x .50	48	56001939	4	Wsh, Flt SAE 5/16
2	56418185	1	Fuel Tank Weldment	49	56343236	1	Clamp, Muffler
3	56418794	1	Fuel Pump Assy (#7-12, 92)	50	56003619	4	Scr, Soc Hd M8-1.25 x 20mm
4	56478358	1	Sender, Fuel Level	51	56419170	1	Exhaust Pipe Weldment
5	56478502	1	Cap, Fuel Tank	*	56419107	1	Exhaust Gasket for 56419170
			(before SN 1451899) <b>TSB 734</b>	52	56419173	1	Exhaust Pipe Weldment
	56419318	1	Cap, Non-Vented				
			(only after SN 1451898) <b>TSB 734</b>		56419056	1	Muffler Assembly (#53-65)
6	56481546	1	Plug, Hex pipe	53	56001836	2	Scr, Hex Hd 1/4-20 x .62
7	56329145	2	Clamp, Hose SAE #24	54	56001878	2	Scr, Hex Hd 1/4-20 x 1.25
8	56418789	1	Fuel Pump Bracket Weld't.	55	56002708	2	Nut, Hex Nyl Loc 1/4-20
9	56418793	1	Fuel Pump	56	56009018	2	Scr, Hex Thd Form 1/4-20 x .75
10	56418795	1	Gasket	57	56009033	2	Scr, Hex Thd Form 1/4-20 x .50
11	56492253	1	Hose, Fuel Line	58	56343236	1	Clamp, Muffler
12	56756364	2	Clamp, Hose SAE #4	59	56418222	1	Shield, Heat
				60	56418225	2	Clamp Weld't.
	56418933	1	Rear Engine Mount Assembly (#13-21)	61	56418228	1	Plate, Muffler Hanging
13	56002058	2	Scr, Hex Hd 3/8-16 x 2.25	62	56418376	1	Strap, Right Broom Housing
14	56002667	4	Scr, Hex Hd 5/16-18 x .75	63	56419175	1	Muffler, Diesel
15	56002701	4	Nut, Hex Nyl Loc 5/16-18	64	56478726	1	Mount
16	56002769	2	Nut, Hex Nyl Loc 3/8-16	65	56481468	1	Nut Plate
17	56003185	8	Scr, Hex Thd To Hd M10-1.25 x 20mm				
18	56009106	2	Wsh, Flt .453 x 1.00 x .179		56419058	1	Air Cleaner Assembly (#66-80)
19	56009274	2	Wsh, Flt .438 x 2.00 x .164	66	56001834	2	Scr, Hex Hd 5/16-18 x 1.25
20	56419300	2	Mount, Isolator, Stiff	67	56001939	2	Wsh, Flt SAE 5/16
	56418099	2	Mount, Isolator	68	56002701	2	Nut, Hex Nyl Loc 5/16-18
21	56418932	1	Weldment, Engine Mount	69	56418430	1	Hose, Flexible Air Inlet
				70	56440213	2	Clamp, Hose SAE #32
	56419004	1	Air Tube Assembly (#22-29, 93)	71	56477523	1	Barb, Adapter 5/16 x 18NPT
22	56001836	4	Scr, Hex Hd 1/4-20 x .62	72	56478461	1	Indicator, Service
23	56009018	3	Scr, Hex Thd Form 1/4-20 x .75	73	56492259	1	Hose, Fuel Line
24	56131601	2	Clamp, Hose SAE #16	74	56482478	1	Cleaner, Air
25	56418227	1	Hose, Lower Radiator	*	56482028	1	Replacement Safety Filter
26	56440213	2	Clamp, Hose SAE #32	*	56482029	1	Replacement Primary Filter
27	56419000	1	Air Tube Weldment	75	56482621	1	Band Assy
28	56419093	1	Heat Shield	76	56751300	1	Barb, Hose Female
29	56419144	1	Hose, Flex		56419313	1	Inlet Hood Assembly (#77-80) <b>TSB 735</b>
				77	56002155	2	Scr, Hex Hd 1/4-20 x .75
	56419050	1	Right Engine Mount Assembly (#30-38)	78	56002708	2	Nut, Hex Nyl Loc 1/4-20
30	56002058	1	Scr, Hex Hd 3/8-16 x 2.25	79	56419314	1	Flange Weldment
31	56002667	2	Scr, Hex Hd 5/16-18 x .75	80	56419312	1	Hood, Inlet
32	56002701	2	Nut, Hex Nyl Loc 5/16-18				
33	56002769	1	Nut, Hex Nyl Loc 3/8-16		56419082	1	Throttle Cable Assembly (#81-91)
34	56003185	4	Scr, Hex Thd To Hd M10-1.25 x 20mm	81	56003039	2	Scr, Hex Hd Loc 1/4-20 x .50
35	56009106	1	Wsh, Flt .453 x 1.00 x .179	82	56003177	2	Scr, Hex M8-1.25 x 12mm
36	56009274	1	Wsh, Flt .438 x 2.00 x .164	83	56418615	1	Cable, Push / Pull
37	56419300	1	Mount, Isolator, Stiff	84	56488290	2	Rod End
	56418099	1	Mount, Isolator	85	56419030	1	Bracket, Throttle Cable
38	56418926	1	Bracket, Engine Right	86	56419031	1	Throttle Lever Extension
				87	56456328	1	Lever Assy
	56419051	1	Left Engine Mount Assembly (#39-47)	88	56001836	2	Scr, Hex Hd 1/4-20 x .62
39	56002058	1	Scr, Hex Hd 3/8-16 x 2.25	89	56001987	2	Nut, Hex Machine 10-32
40	56002667	2	Scr, Hex Hd 5/16-18 x .75	90	56002708	2	Nut, Hex Nyl Loc 1/4-20
41	56002701	2	Nut, Hex Nyl Loc 5/16-18	91	56002873	2	Nut, Hex Nyl Loc 10-32
42	56002769	1	Nut, Hex Nyl Loc 3/8-16				
43	56003185	4	Scr, Hex Thd To Hd M10-1.25 x 20mm	92	56419307	1	Fuel Strainer
44	56009106	1	Wsh, Flt .453 x 1.00 x .179	93	56442011	1	Clamp, P
45	56009274	1	Wsh, Flt .438 x 2.00 x .164				
46	56419300	1	Mount, Isolator, Stiff				
	56418099	1	Mount, Isolator				
47	56418927	1	Bracket, Engine Left				

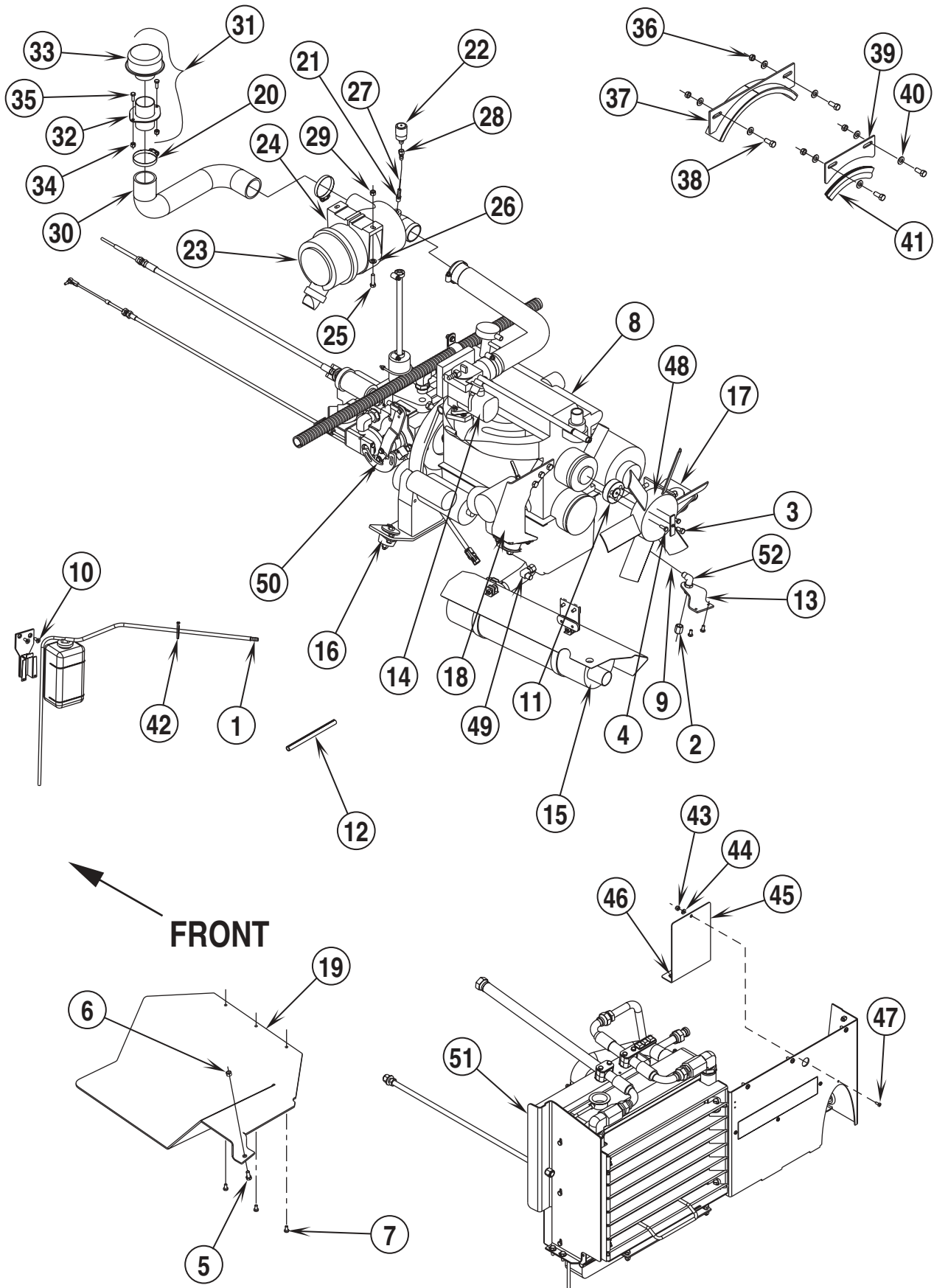
\* = Not Shown



00-5	<b>RADIATOR ASSEMBLY (diesel)</b>	<b>BOOK F</b>		
02-5	<b>SR 1800 / Retriever™ 2060</b>	<b>F</b>	<b>8.6.1</b>	<b>51</b>

Item	Ref. No.	Qty	Description
	56418962	1	Radiator Assembly (#1-43)
1	56001854	6	Scr, Hex Hd 1/4-20 x .50
2	56001874	4	Scr, Hex Hd 1/4-20 x 2.00
3	56002155	4	Scr, Hex Hd 1/4-20 x .75
4	56002708	4	Nut, Hex Nyl Loc 1/4-20
5	56002768	3	Nut, Hex Nyl Loc 10-24
6	56002770	2	Nut, Hex Nyl Loc 1/2-13
7	56009016	2	Nut, Hex Jam 1/2-13
8	56009033	1	Scr, Hex Thd Form 1/4-20 x .50
9	56009100	3	Scr, Pan Phil Thd Form-Blk 10-24 x .62
10	56131601	6	Clamp, Hose SAE #16
11	56416418	1	Lens, Tail Light
12	56419290	1	Hose, Radiator
13	56418227	2	Hose, Lower Radiator
14	56419277	1	Radiator <b>Note 1</b>
15	56418605	2	Gasket, Bulb
16	56418952	1	Oil Cooler Assembly (#24-40)
17	56419282	1	Shroud Weld't. <b>Note 1</b>
18	56419280	1	Weld't., Radiator Mount <b>Note 1</b>
19	56418961	1	Back Panel
20	56419403	1	Tube, Radiator Weldment
21	56419007	1	Stiffener
22	56419041	4	Clamp
23	56419042	1	Plate, Clamp
24	56001836	2	Scr, Hex Hd 1/4-20 x .62
25	56001939	2	Wsh, Flt SAE 5/16
26	56002037	6	Scr, Hex Hd 5/16-18 x .88
27	56002701	6	Nut, Hex Nyl Loc 5/16-18
28	56002708	2	Nut, Hex Nyl Loc 1/4-20
29	56900117	2	Elbow, 90 O-Ring
30	56418605	1	Gasket, Bulb
31	56418953	1	Coller, Oil
32	56418954	2	Swivel
33	56418955	1	Gasket
34	56418344	1	Hose Assembly
35	56419297	1	Tube Weldment D
36	56419008	1	Grill Weld't.
37	56419016	1	Axle Weld't.
38	56419036	2	Roller
39	56419037	1	Roller Stop Weld't.
40	56419298	1	Hose Assembly
41	56419180	1	Prop Rest
42	56402940	3	Bumper
43	56492259	1	Hose, Fuel Line
44	56002667	3	Scr, Hex Hd 5/16-18 x .75
45	56001939	2	Wsh, Flt SAE 5/16
46	56002701	1	Nut, Hex Nyl Loc 5/16-18
47	56744580	1	Plug, NPT 3/8 Brass

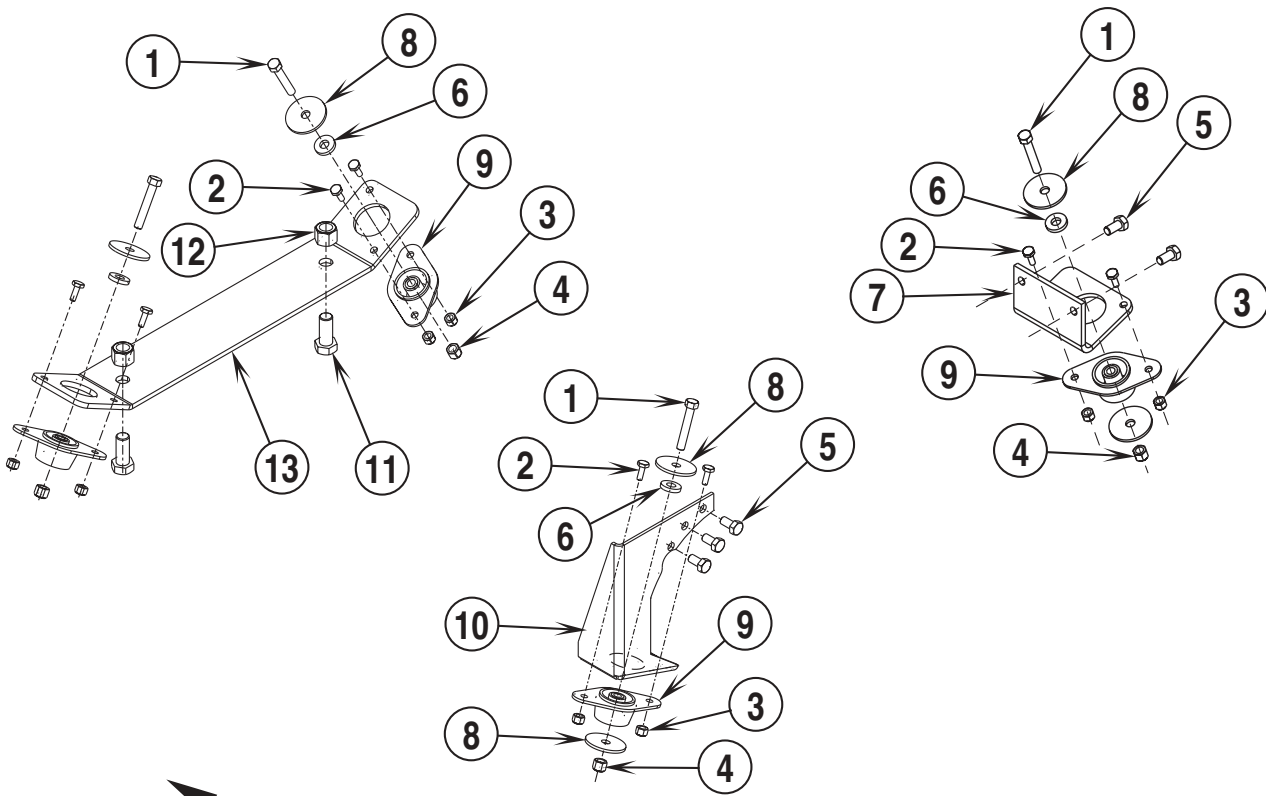
**Note 1:** The radiator and shroud were changed after certain serial numbers. Your radiator and related parts may look different. A kit (56419305) is available to upgrade your machine to the radiator (56419277), which is easier to clean out. Old style parts are no longer available. See **TSB 732** for more details.



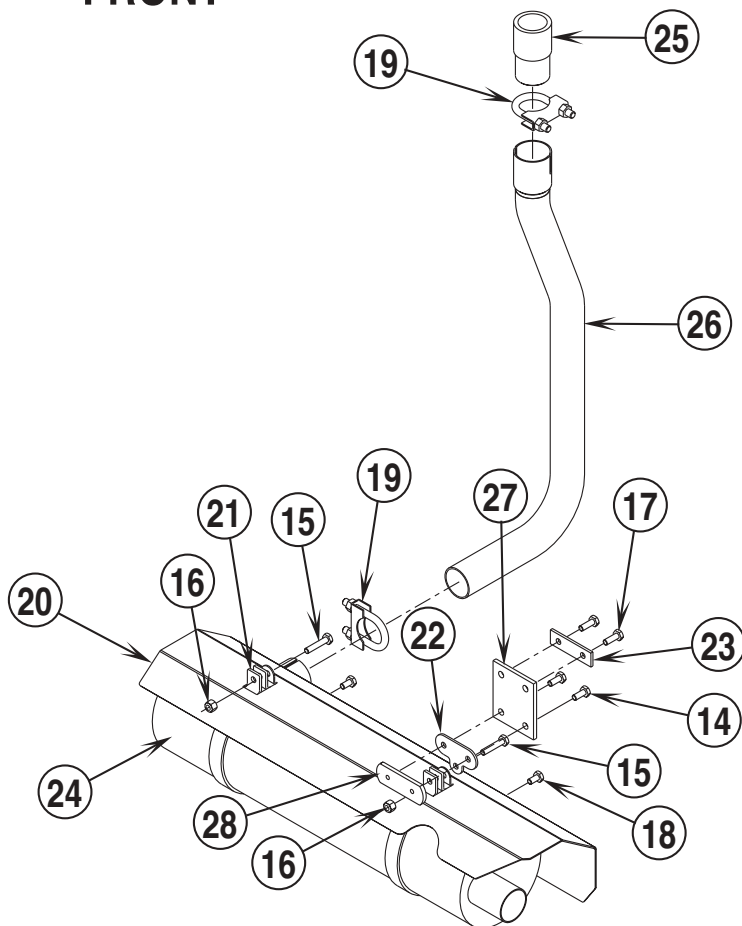
00-5	<b>GASOLINE ENGINE SYSTEM</b>	<b>BOOK F</b>		
04-2	<b>SR 1800 / Retriever™ 2060</b>	<b>F</b>	<b>8.6.1</b>	<b>53</b>

Item	Ref. No.	Qty	Description	Item	Ref. No.	Qty	Description
1	56418777	1	Barb, Connector	*	56418725	1	Fan Belt, Engine
2	56900917	1	Cap, Flare Tube End	*	56418729	1	Switch, Engine Oil Pressure
3	56002035	1	Scr, Hex Hd 5/16-18 x .62	*	56469193	1	Clamp Set, Battery
4	56002155	2	Scr, Hex Hd 1/4-20 x .75	*	56418907	1	Standoff, Battery (used with 56469193)
5	56002667	1	Scr, Hex Hd 5/16-18 x .75 (gas/dual fuel)	*	56462862	1	Engine Oil Filter
6	56002701	1	Nut, Hex Nyl Loc 5/16-18	*	56462887	1	Ignition Coil TSB 782
7	56009033	5	Scr, Hex Thd Form 1/4-20 x .50 (gas/dual fuel)	*	56463859	1	Ignition Coil TSB 782
8	56418101	1	Engine, 1.3L	*	56463575	1	Spark Plug Wire Set TSB 782
9	56418315	1	Hose Assy	*	56463854	1	Spark Plug Wire Set TSB 782
10	56009137	2	Scr, Flt Phil Thd Form 1/4-20 x .62	**	56419301	1	Stiff Engine Mount Kit
11	56418661	1	Spacer, Fan	**	56419361	1	Soft Engine Mount Kit
12	56418918	1	Conduit				
13	56418951	1	Bracket, Oil Drain				
14	56418733	1	Gasoline Assy (gas / see Gasoline Assembly)	* = Not Shown			
	56418731	1	Propane Assy (propane / see Propane Assembly)	** = Optional			
	56418732	1	Dual Fuel Assy (dual fuel / see Dual Fuel Assembly)				
15	56418779	1	Muffler Assy (See Gasoline Engine System Components)				
16	56418780	1	Rear Engine Mount Assy (See Gasoline Engine System Components)				
17	56418781	1	Left Engine Mount Assy (See Gasoline Engine System Components)				
18	56418782	1	Right Engine Mount Assy (See Gasoline Engine System Components)				
19	56418850	1	Fuel Tank Guard Weld't (gas/dual fuel)				
	56419058	1	Air Cleaner Assembly (#20-35)				
20	56440213	2	Clamp, Hose SAE #32				
21	56477523	1	Barb, Adapter 5/16 x 1/8NPT				
22	56478461	1	Indicator, Service				
23	56482478	1	Cleaner, Air				
*	56482029	1	Primary Element				
*	56482028	1	Safety Element				
24	56482621	1	Band Assy				
25	56001834	2	Scr, Hex Hd 5/16-18 x 1.25				
26	56001939	2	Wsh, Flt SAE 5/16				
27	56492259	1	Hose, Fuel Line				
28	56751300	1	Barb, Hose Female				
29	56002701	2	Nut, Hex Nyl Loc 5/16-18				
30	56418430	1	Hose, Flexible Air Inlet				
31	56419313	1	Inlet Hood Assembly (#32-35) NOTE 1				
32	56419314	1	Flange Weldment				
33	56419312	1	Hood, Inlet				
34	56002708	2	Nut, Hex Nyl Loc 1/4-20				
35	56002155	2	Scr, Hex Hd 1/4-20 x .75				
36	56002841	4	Nut, Hex Nyl Loc-Thin 3/8-16 (propane/dual fuel)				
37	56418710	1	LP Clamp Assy (propane/dual fuel)				
38	56002271	4	Scr, Hex Hd 3/8-16 x .88 (propane/dual fuel)				
39	56418746	1	Plate, LP Clamp (propane/dual fuel)				
40	56002063	8	Wsh, Flt SAE 3/8 (propane/dual fuel)				
41	56418675	1	Gasket, Bulb (propane/dual fuel)				
42	56478246	1	Tie, Cable				
43	56002768	1	Nut, Hex Nyl Loc 10-24 (propane)				
44	56001954	1	Wsh, Flt SAE #10 (propane)				
45	56418526	1	Cover, Fuel Opening (propane)				
46	56009033	4	Scr, Hex Thd Form 1/4-20 x .50 (propane)				
47	56009082	1	Scr, Pan Phil Thd Form-Blk 10-24 x .50 (propane)				
48	56418718	1	Pusher Fan				
49	56900918	1	Elbow, 90 Flare Male/Metric Male				
50	56418783	1	Linkage Assy (see Linkage Assembly)				
51	56419130	1	Radiator Assembly (see Radiator Assembly (gas))				
52	56900403	1	Elbow, 90 Bulkhead Union				
*	56463608	1	Alternator				
*	56002035	1	Scr, Hex Hd 5/16-18 x .62				
*	56002155	2	Scr, Hex Hd 1/4-20 x .75				
*	56418726	1	Engine Thermostat				
*	56418719	1	Engine Starter				

**Note 1:** Earlier machines without the Inlet Hood Assembly can be updated to include the Inlet Hood by ordering kit # 56419321. See TSB 735.

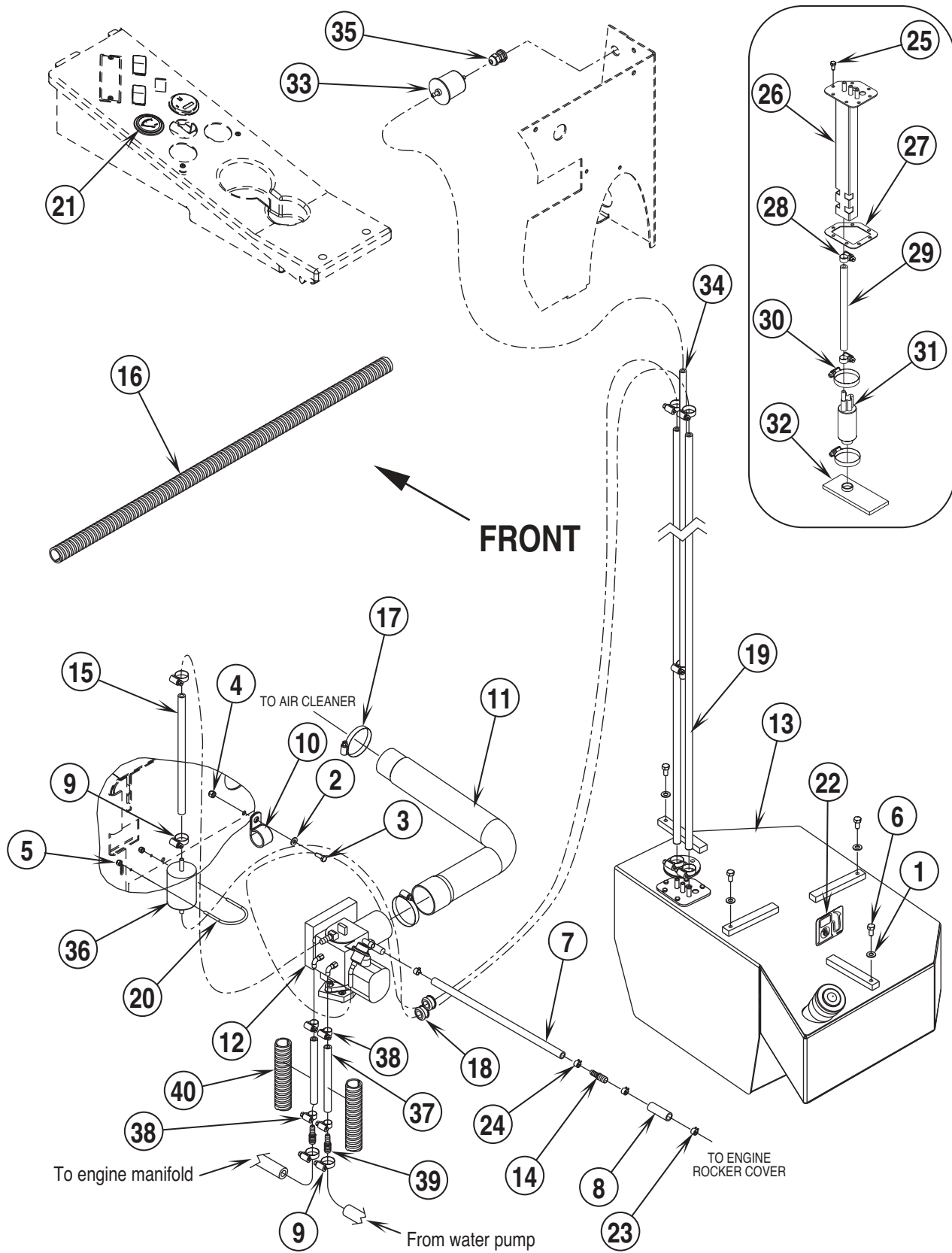


FRONT



00-5	<b>GASOLINE ENGINE SYSTEM COMPONENTS</b>	<b>BOOK F</b>		
01-3	<b>SR 1800 / Retriever™ 2060</b>	<b>F</b>	<b>8.6.1</b>	<b>55</b>

Item	Ref. No.	Qty	Description
1	56002058	4	Scr, Hex Hd 3/8-16 x 2.25
2	56002667	9	Scr, Hex Hd 5/16-18 x .75
3	56002701	8	Nut, Hex Nyl Loc 5/16-18
4	56002769	4	Nut, Hex Nyl Loc 3/8-16
5	56003442	5	Scr, Hex Nyl Loc M10-1.5 x 20mm
6	56009106	4	Wsh, Flt .453 x 1.00 x .179
7	56418093	1	Bracket, Left Engine Mount
8	56009274	6	Washer
9	56419300	4	Mount, Isolator, Stiff
**	56418099	4	Mount, Isolator
10	56418094	1	Bracket, Right Engine Mount
11	56001843	2	Scr, Hex Hd 5/8-11 x 1.50
12	56002771	2	Nut, Hex Nyl Loc 5/8-11
13	56419181	1	Bracket, Rear Engine Mount
	56418779	1	Muffler Assembly (#14-28)
14	56001836	2	Scr, Hex Hd 1/4-20 x .62
15	56001878	2	Scr, Hex Hd 1/4-20 x 1.25
16	56002708	2	Nut, Hex Nyl Loc 1/4-20
17	56009018	2	Scr, Hex Thd Form 1/4-20 x .75
18	56009033	5	Scr, Hex Thd Form 1/4-20 x .50
19	56343236	2	Clamp, Muffler
20	56418222	1	Shield, Heat
21	56418225	2	Clamp Weldment
22	56418228	1	Plate, Muffler Hanging
23	56418376	1	Strap
24	56418414	1	Muffler
25	56418525	1	Nipple, Exhaust
26	56418597	1	Exhaust Pipe Weldment
27	56478726	1	Mount
28	56481468	1	Nut Plate



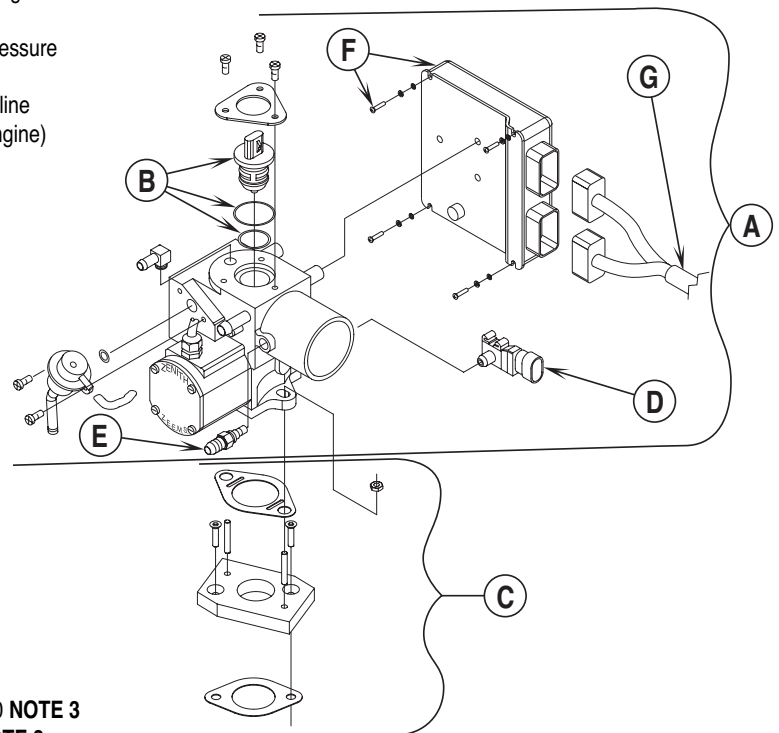


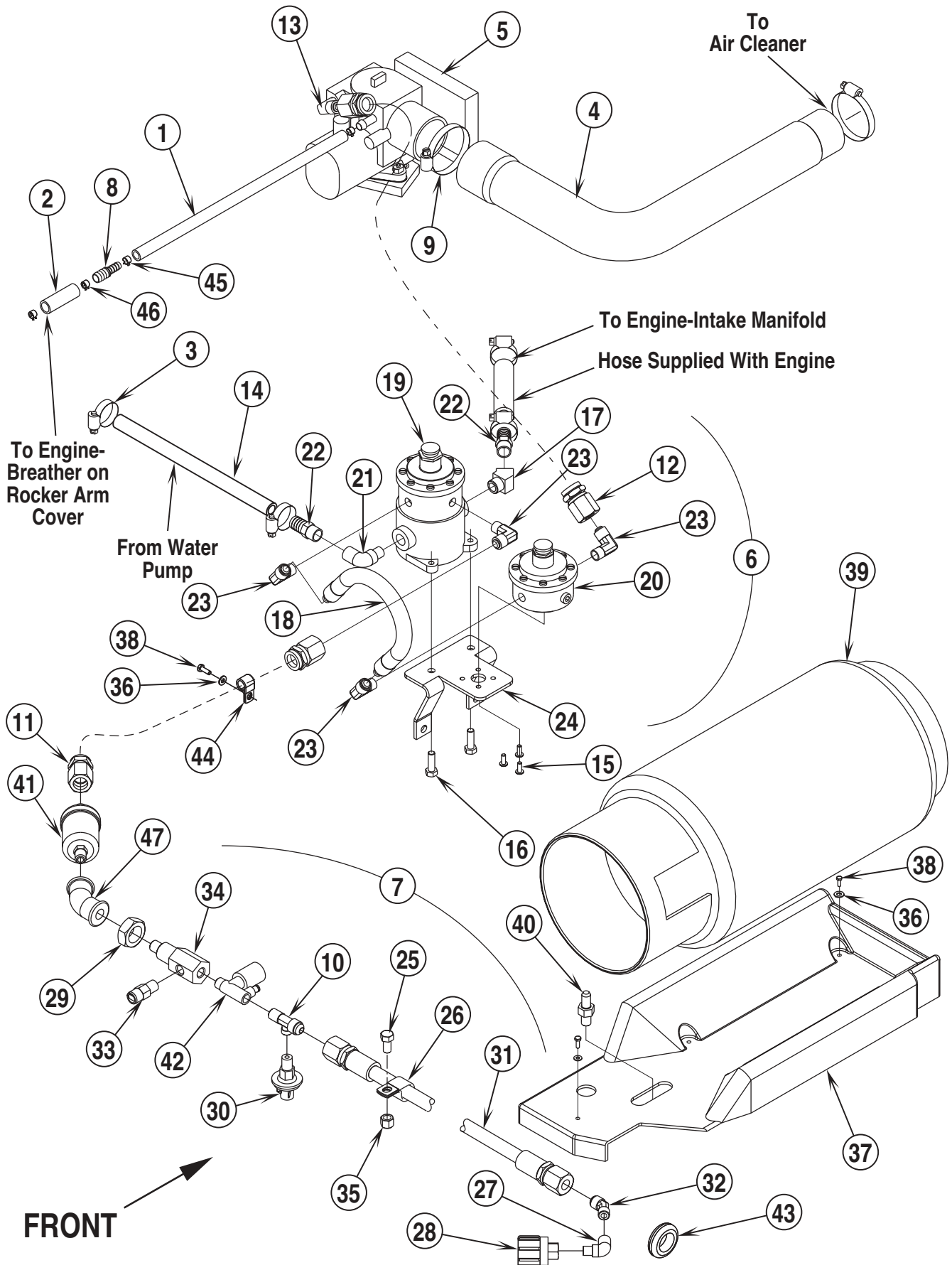
Item	Ref. No.	Qty	Description
	56418733	1	Gasoline Assembly (#1-35)
1	56001939	4	Wsh, Flt SAE 5/16 <b>NOTE 3</b>
2	56002098	1	Wsh, Flt SAE 1/4 <b>NOTE 3</b>
3	56002155	1	Scr, Hex Hd 1/4-20 x .75 <b>NOTE 3</b>
4	56002708	1	Nut, Hex Nyl Loc 1/4-20 <b>NOTE 3</b>
5	56002768	2	Nut, Hex Nyl Loc 10-24 <b>NOTE 3</b>
6	56002929	4	Scr, Hex Hd Loc 5/16-18 x .62 <b>NOTE 3</b>
7	56150231	14"	PVC Tube-Raw Stock
8	56150233	2"	PVC Tube-Raw Stock
9	56219932	9	Clamp, Hose SAE #6 <b>NOTE 3 (qty of 7 before SN 1627936)</b>
10	56409463	1	Clamp, 1.25 Hose Support <b>NOTE 3</b>
11	56418429	1	Hose, Air Inlet
12	56418486	1	Gasoline Injection Assy (before SN 1604272) TSB 799
*	56418811	1	Throttle Body, Gasoline
*	56418813	1	Injector, Gasoline
*	56419166	1	Manifold Adapter Kit
*	56418807	1	Sensor, Manifold Absolute Pressure
*	56418805	1	Sensor, Temp (air or coolant)
*	56418806	1	Electronic Control Unit
12	56419384	1	Gasoline Injection Assy (after SN 1604271) TSB 799
A	56419389	1	Throttle Body, Gas w/ECU complete
B	56418813	1	Injector, Gasoline Fuel w/O-rings
C	56419166	1	Manifold Adapter Kit
D	56418807	1	Sensor, Manifold Absolute Pressure
E	56418805	1	Air-Sensor, Temp.
F	56419391	1	Electronic Control Unit, Gasoline
G	56419409	1	Harness (Injection Assy to Engine)
*	56419388	1	Sensor Temp. Coolant
*	56418509	1	Fuel Filter
13	56418508	1	Fuel Tank Assy <b>NOTE 3</b>
*	56418185	1	Fuel Tank Weld't.
*	56418794	1	Fuel Pump Assy (#25-32)
*	56478358	1	Sender, Fuel Level
*	56478502	1	Cap, Fuel Tank
*	56481546	1	Plug, Hex Pipe
14	56418669	1	Reducer, Barb
15	56418822	1	Hose, Fuel Line <b>NOTE 3</b>
16	56418835	1	Conduit <b>NOTE 1 / NOTE 3</b>
17	56440213	2	Clamp, Hose SAE #32
18	56453254	2	Grommet <b>NOTE 3</b>
19	56459054	2	Hose, Fuel Line <b>NOTE 3</b>
20	56459830	1	U-Bolt <b>NOTE 3</b>
21	56489598	1	Gauge, Fuel Level <b>NOTE 3</b>
22	56016226	1	Decal, Unleaded Fuel <b>NOTE 3</b>
23	56419118	2	Clamp, Hose Band
24	56419119	2	Clamp, Hose Band
25	56009039	7	Scr, Hex Thd Form 10-24 x .50 <b>NOTE 3</b>
26	56418789	1	Fuel Pump Bracket Weld't. <b>NOTE 3</b>
27	56418795	1	Gasket <b>NOTE 3</b>
28	56756364	2	Clamp, Hose SAE #4 <b>NOTE 3</b>
29	56492253	1	Hose, Fuel Line <b>NOTE 3</b>
30	56329145	2	Clamp, Hose SAE #24 <b>NOTE 3</b>
31	56418793	1	Fuel Pump <b>NOTE 3</b>
32	56419307	1	Fuel Strainer <b>NOTE 3</b>
33	56492885	1	Fuel Filter Kit 1/4 (after SN 1451898) <b>NOTE 3</b> TSB 734
34	56481684	1	Hose, Fuel Line (after SN 1451898) <b>NOTE 3</b> TSB 734
35	56323067	1	Strain Relief (after SN 1451898) <b>NOTE 3</b> TSB 734
36	56418509	1	Fuel Filter <b>NOTE 2 / NOTE 3</b>
37	56419451	2	Hose, Fuel Line (after SN 1627935) TSB 799
38	56756364	4	Clamp, Hose SAE #4 (after SN 1627935) TSB 799
39	56419449	2	Reducer, Barb (after SN 1627935) TSB 799
40	56419452	2	Conduit (after SN 1627935) TSB 799

**NOTE 1:** Item 16, Conduit goes over Item 15, Fuel Line.

**NOTE 2:** Item 32, Fuel Filter comes with Item 12, Gasoline Injection Assembly.

**NOTE 3:** These items are also used in the Dual Fuel Assembly.

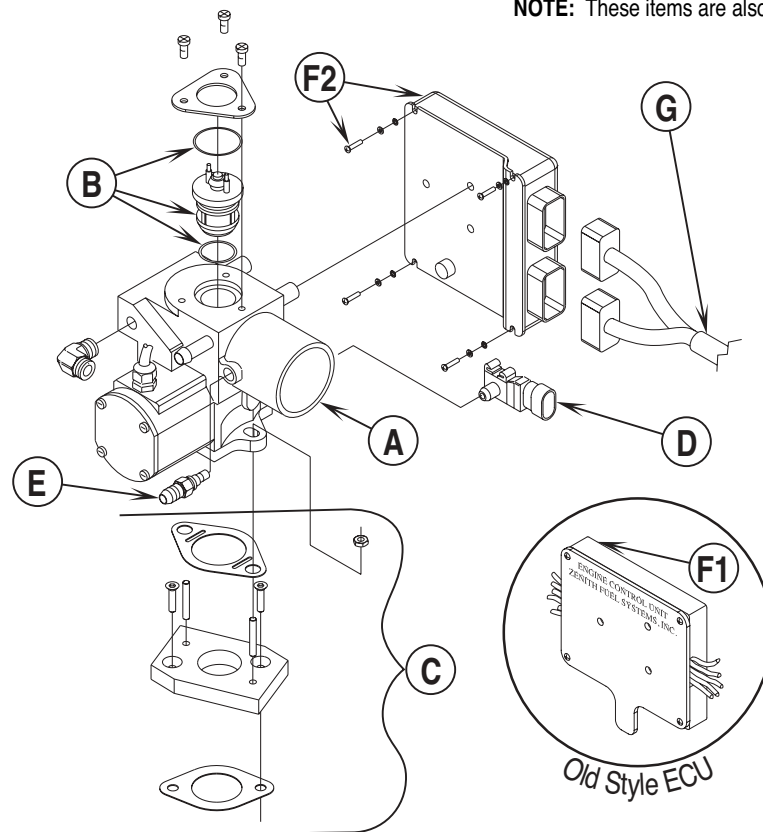


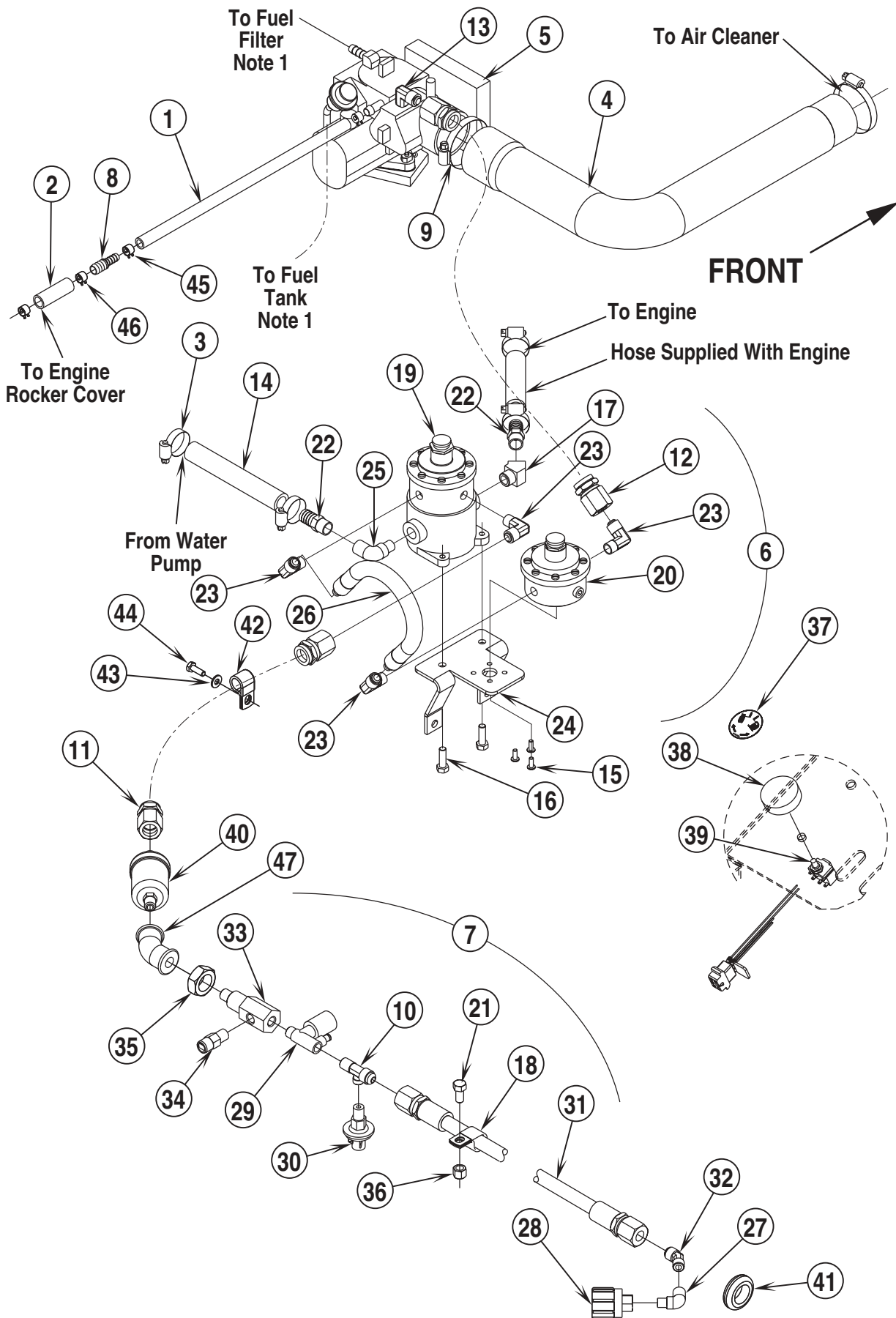


Item	Ref. No.	Qty	Description	Item	Ref. No.	Qty	Description
	56418731	1	Propane Assembly (#1-46)	19	56419235	1	Primary LPG Regulator Assy. 12 psi
1	56150231	14"	PVC Tube	20	56419163	1	Secondary LPG Regulator Assembly
2	56150233	2"	PVC Tube	21	56900021	1	Elbow, 90 Street
3	56112771	4	Clamp, Hose SAE #10	22	56456436	2	Barb, Adapter 5/8 x 3/8 NPT
4	56418429	1	Hose, Air Inlet	23	56456608	4	Elbow, Male 90
5	56419160	1	Propane Injection Assembly (includes #6, 41 & 42) (TSB 828)	24	56418540	1	Bracket, Regulator
A	56418810	1	Throttle Body, LP	25	56002127	1	Scr, Hex Hd 3/8-16 x .75
B	56418812	1	Injector, LP	26	56419120	1	Clamp, Hose Support
C	56419166	1	Manifold Adapter Kit	27	56369632	1	Elbow, 90 Street
D	56418807	1	Sensor, Manifold Absolute Pressure	28	56369675	1	Coupler, Female
E	56418805	1	Sensor, Temp	29	56002615	1	Nut, Hex Jam 7/8-14
F1	56419165	1	Electronic Control Unit (before SN 1620762) TSB 828	30	56418381	1	Switch, N.C. Pressure
F2	56419406	1	Electronic Control Unit, LP (after SN 1620761) TSB 828	31	56456591	1	Hose
G	56419410	1	Harness (ECU to engine) (after SN 1620761)	32	56456598	1	Elbow, 45 Male 45 Flared
6	56419162	1	Regulator Assembly 12 psi (#15-24)	33	56456624	1	Vent, 1/4 NPT
7	56418626	1	Filter Assembly (#10, 25-35)	34	56418934	1	Fitting, Bulkhead
8	56418669	1	Reducer, Barb	35	56002769	1	Nut, Hex Nyl Loc 3/8-16
9	56440213	2	Clamp, Hose SAE #32	36	56002098	6	Wsh, Flt SAE 1/4 NOTE
10	56900921	1	Tee	37	56418742	1	Cradle, LP Tank NOTE
11	56456591	1	LPG Hose Assembly	38	56009018	6	Scr, Hex Thd Form 1/4-20 x .75 NOTE
12	56456593	1	LPG Hose Assembly	39	56456590	1	L.P. Tank, 33 lbs. NOTE
13	56456608	1	Elbow, Male	40	56418741	1	Pin, locator NOTE
14	56418913	1	Hose, Heater	41	56419381	1	L.P. Filter
15	56001993	3	Scr, Pan Phil 10-24 x .50	42	56418305	1	Fuel Lock-Off Solenoid
16	56003073	2	Scr, Hex Hd Loc 5/16-18 x 1.00	43	56486116	1	Grommet
17	56368938	1	Elbow, 45 Street	44	56419120	1	Clamp, Hose Support
18	56418735	1	Hose	45	56419118	2	Clamp, Hose Band
				46	56419119	2	Clamp, Hose Band
				47	56749715	1	Elbow

\* = Not Shown

NOTE: These items are also used in the Dual Fuel Assembly.



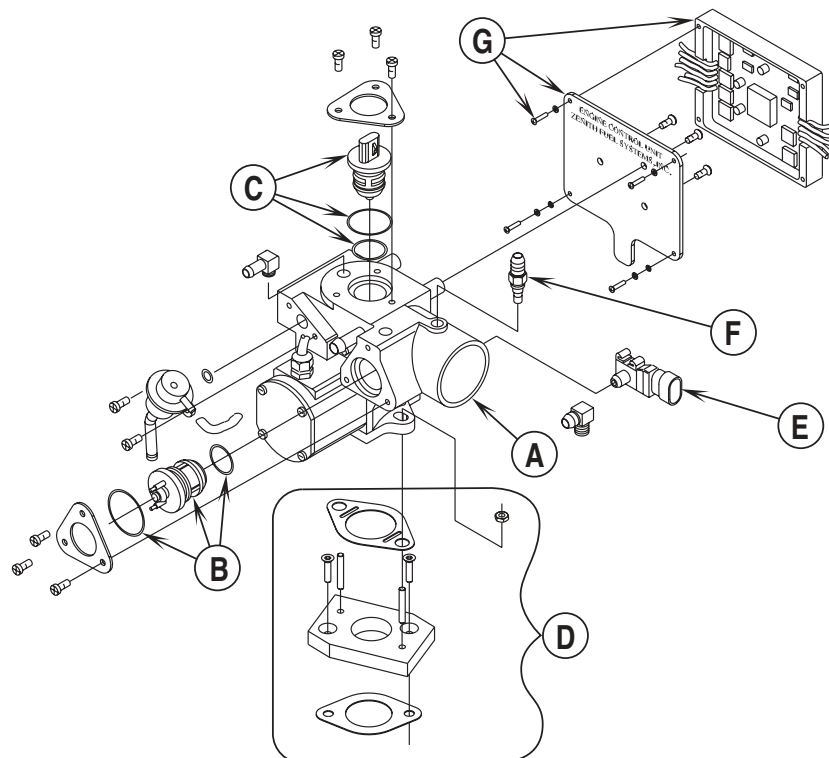


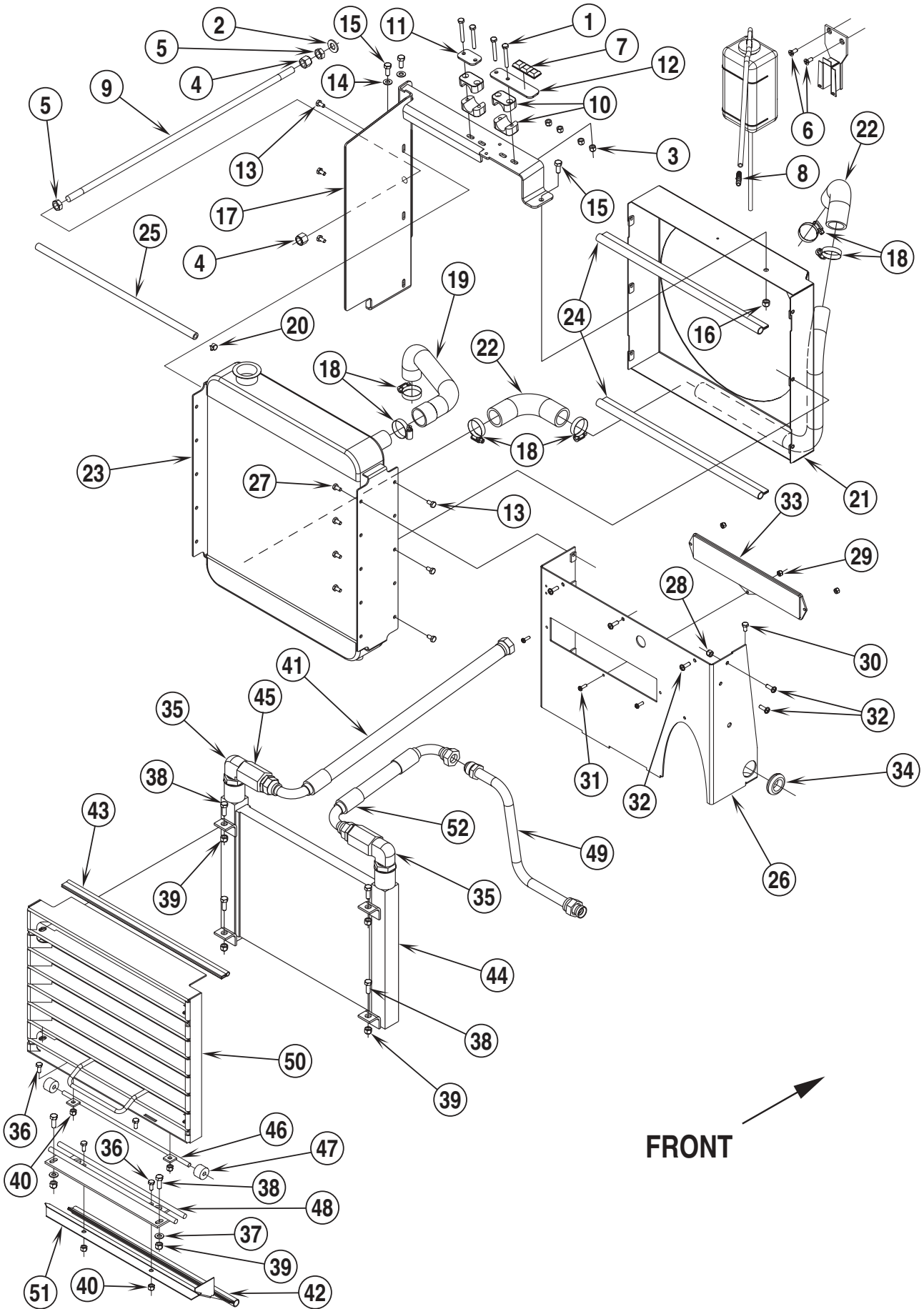
Item	Ref. No.	Qty	Description	Item	Ref. No.	Qty	Description
	56418732	1	Dual Fuel Assembly (#1-47)	21	56002127	1	Scr, Hex Hd 3/8-16 x .75
1	56150231	14"	PVC Tube	22	56456436	2	Barb, Adapter 5/8 x 3/8 NPT
2	56150233	2"	PVC Tube	23	56456608	4	Elbow, Male 90
3	56112771	4	Clamp, Hose SAE #10	24	56418540	1	Bracket, Regulator
4	56418429	1	Hose, Air Inlet	25	56900021	1	Elbow, 90 Street
5	56419161	1	Dual Fuel Injection Assembly (includes #6, 40)	26	56418735	1	Hose
A	56418809	1	Throttle Body, Dual	27	56369632	1	Elbow, 90 Street
B	56418812	1	Injector, LP	28	56369675	1	Coupler, Female
C	56418813	1	Injector, Gasoline	29	56418305	1	Valve, Shut Off
D	56419166	1	Manifold Adapter Kit	30	56418381	1	Switch, N.C. Pressure
E	56418807	1	Sensor, Manifold Absolute Pressure	31	56456591	1	Hose
F	56418805	1	Sensor, Temp	32	56456598	1	Elbow, 45 Male 45 Flared
G	56419164	1	Elec. Control Unit	33	56418934	1	Fitting, Bulkhead
6	56419162	1	Regulator Assembly 12 psi (#15-17, 19-20, 26)	34	56456624	1	Vent, 1/4 NPT
7	56418626	1	Filter Assembly (#10, 18, 21, 27, 28, 30-36)	35	56002615	1	Nut Hex Jam 7/8-14
8	56418669	1	Reducer, Barb	36	56002769	1	Nut, Hex Nyl Loc 3/8-16
9	56440213	2	Clamp, Hose SAE #32	37	56016255	1	Decal, Dual Fuel Knob
10	56900921	1	Tee	38	56418688	1	Knob
11	56456591	1	LPG Hose Assembly	39	56418409	1	Rotary Switch
12	56418735	1	LPG Hose Assembly	40	56419381	1	LP Filter
13	56456608	1	Elbow, Male	41	56486116	1	Grommet
14	56418913	1	Hose, Heater	42	56419120	1	Clamp, Hose Support
15	56001993	3	Scr, Pan Phil 10-24 x .50	43	56002098	1	Wsh Flt SAE 1/4
16	56003073	2	Scr, Hex Hd Loc 5/16-18 x 1.00	44	56009018	1	Scr, Hex Thd Form 1/4-20 x .75
17	56368938	1	Elbow, 45 Street	45	56419118	2	Clamp, Hose Band
18	56419120	1	Clamp, Hose Support	46	56419119	2	Clamp, Hose Band
19	56419235	1	Primary LPG Regulator Assy. 12 psi	47	56749715	1	Elbow
20	56419163	1	Secondary LPG Regulator Assembly				

\* = Not Shown

NOTE 1: Refer to the Gasoline System for the gasoline tank and related items.

NOTE 2: Refer to the Propane System for the Propane tank and related items.

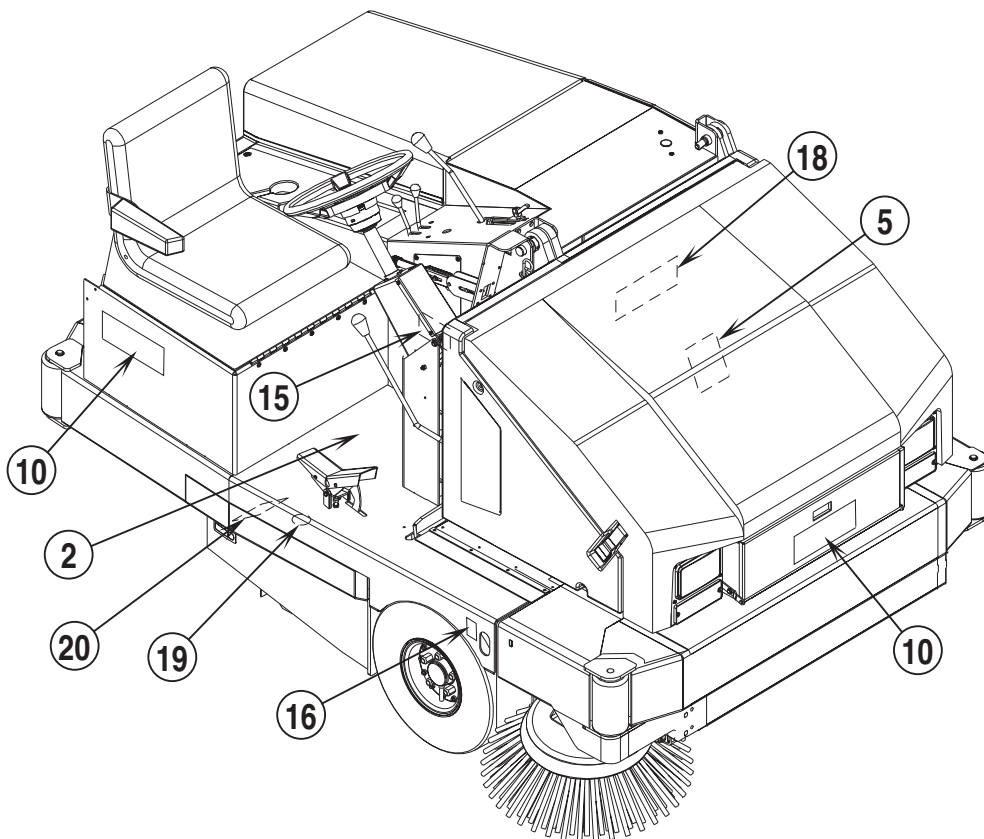
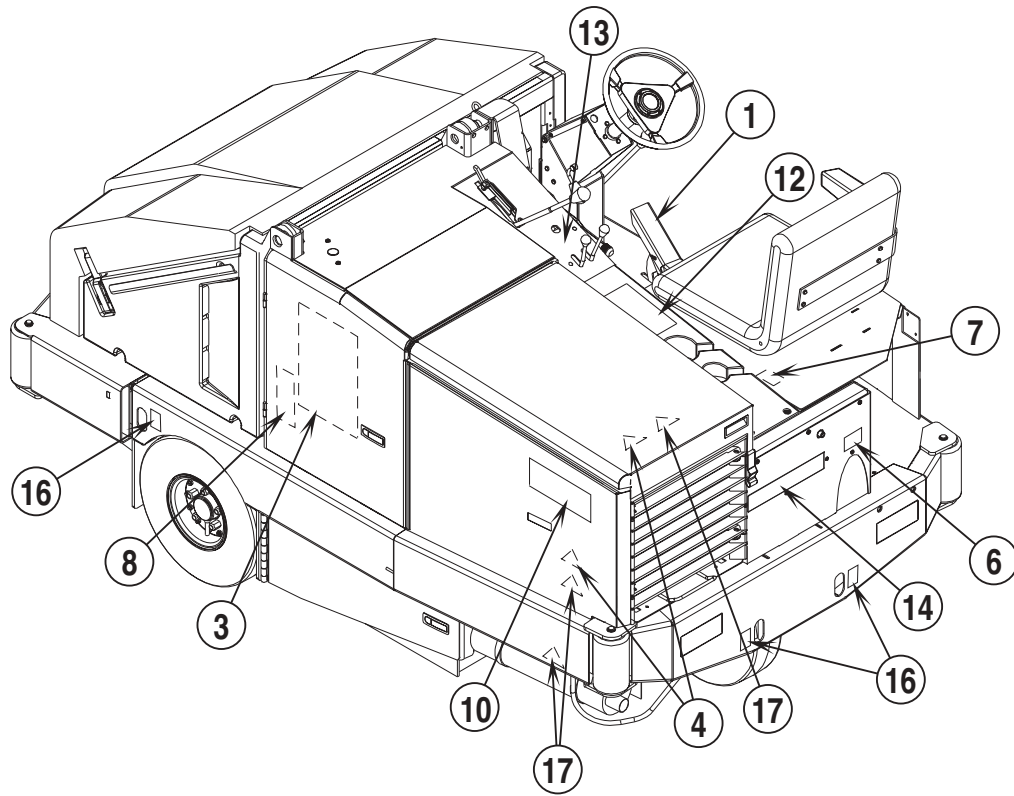




00-5	<b>RADIATOR ASSEMBLY (gas/propane/dual fuel)</b>	<b>BOOK F</b>		
02-5	<b>SR 1800 / Retriever™ 2060</b>	<b>F</b>	<b>8.6.1</b>	<b>63</b>

Item	Ref. No.	Qty	Description
	56419130	1	Radiator Assembly
1	56001874	4	Scr, Hex Hd 1/4-20 x 2.00
2	56001879	1	Wsh, Flt SAE 1/2
3	56002708	4	Nut, Hex Nyl Loc 1/4-20
4	56002770	2	Nut, Hex Nyl Loc 1/2-13
5	56009016	2	Nut, Hex Jam 1/2-13
6	56009137	2	Scr, Flt Phil Thd Form 1/4-20 x .62
7	56402940	3	Bumper
8	56418777	1	Barb, Connector 5/16 x 5/16
9	56419007	1	Stiffener
10	56419041	4	Clamp
11	56419042	1	Plate, Clamp
12	56419180	1	Prop Rest
	56419283	1	Radiator Shroud Assembly (#13-25)
13	56001854	6	Scr, Hex Hd 1/4-20 x .50
14	56001939	2	Wsh, Flt SAE 5/16
15	56002667	3	Scr, Hex Hd 5/16-18 x .75
16	56002701	1	Nut, Hex Nyl Loc 5/16-18
17	56419284	1	Radiator Mount Weldment <b>Note 1</b>
18	56131601	6	Clamp, Hose SAE #16
19	56418097	1	Hose, Radiator
20	56756364	1	Clamp, Hose SAE #4
21	56419287	1	Shroud Weldment G <b>Note 1</b>
22	56418227	2	Hose, Lower Radiator
23	56419277	1	Radiator, 4 Tube <b>Note 1</b>
24	56418605	2	Gasket, Bulb
25	56492259	1	Hose, Fuel Line
	56419147	1	Back Panel Assembly (#26-34)
26	56419158	1	Back Panel Weldment
27	56001854	4	Scr, Hex Hd 1/4-20 x .50
28	56002708	2	Nut, Hex Nyl Loc 1/4-20
29	56002768	3	Nut, Hex Nyl Loc 10-24
30	56009033	1	Scr, Hex Thd Form 1/4-20 x .50
31	56009100	3	Scr, Pan Phil Thd Form-BLK 10-24 x .62
32	56009248	5	Scr, Pan Phil Thd Form-BLK 1/4-20 x .75
33	56416418	1	Lens, Tail Light
34	56486116	1	Grommet
	56419146	1	Oil Cooler Assembly (#35-52)
35	56900117	2	Elbow, 90 O-Ring
36	56001836	4	Scr, Hex Hd 1/4-20 x .62
37	56001939	2	Wsh, Flt SAE 5/16
38	56002037	6	Scr, Hex Hd 5/16-18 x .88
39	56002701	6	Nut, Hex Nyl Loc 5/16-18
40	56002708	4	Nut, Hex Nyl Loc 1/4-20
41	56419299	1	Hose Assembly
42	56418605	1	Gasket, Bulb
43	56418609	1	Trim Seal
44	56418953	1	Cooler, Oil
45	56418954	2	Swivel
46	56419016	1	Axle Weldment
47	56419036	2	Roller
48	56419037	1	Roller Stop Weldment
49	56419291	1	Tube Weldment G
50	56419151	1	Grill Weldment
51	56419155	1	Deflector Plate
52	56419298	1	Hose Assembly

**Note 1:** The radiator and shroud were changed after certain serial numbers. Your radiator and related parts may look different. A kit (56419304) is available to upgrade your machine to the radiator (56419277), which is easier to clean out. Old style parts are no longer available. See **TSB 732** for more details.

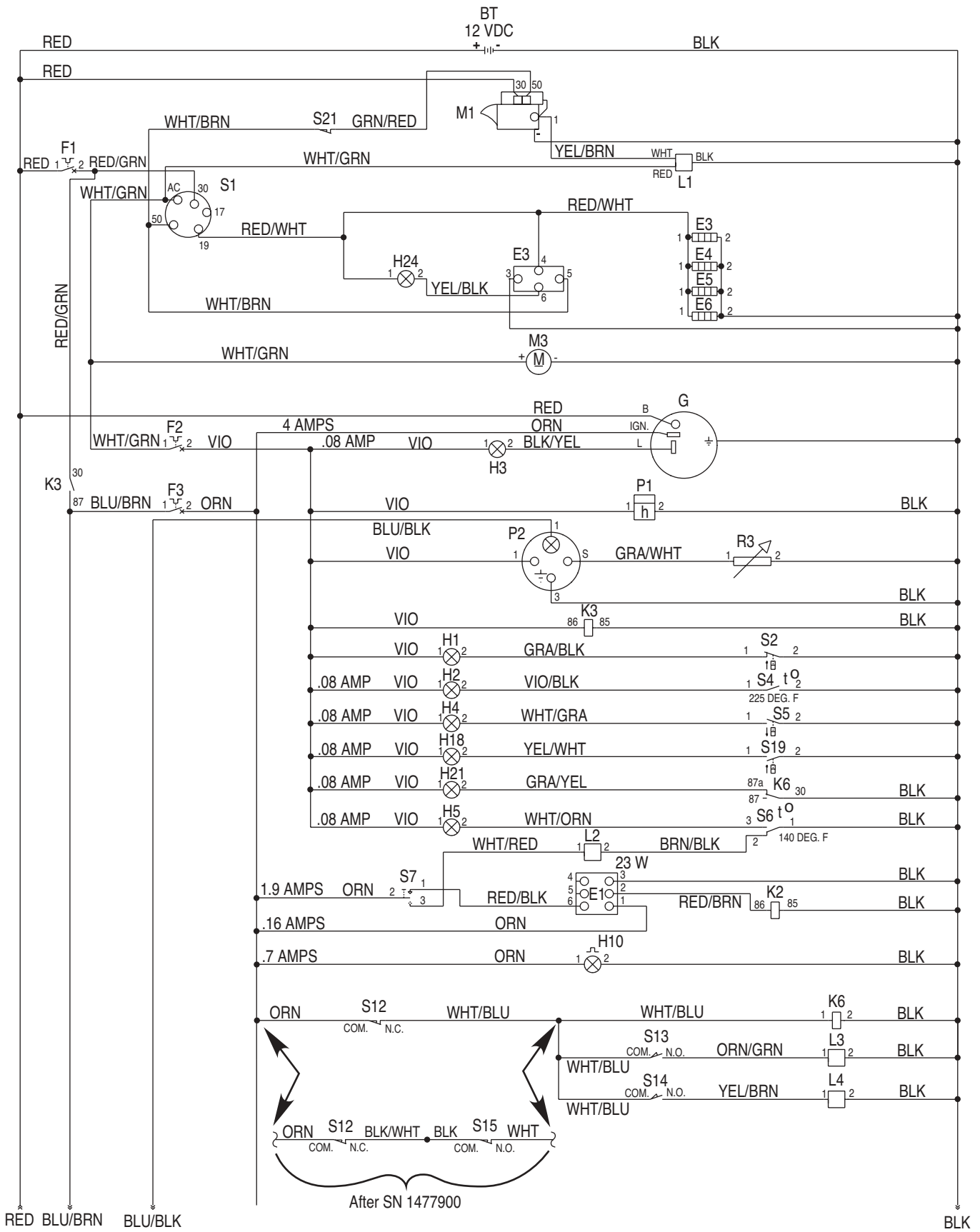




00-5	<b>DECAL SYSTEM</b>	<b>BOOK F</b>		
02-12	<b>SR 1800 / Retriever™ 2060</b>	<b>F</b>	<b>8.6.1</b>	<b>65</b>

Item	Ref. No.	Qty	Description
1	56449958	1	Mat, Pedal
2	56418603	1	Mat, Floor
3	56419104	1	Schematic Pack ( <b>diesel</b> )
*	56418965	1	Diagram, Ladder
*	56418983	1	Diagram, Wiring
*	56418912	1	Schematic, Hydraulic
	56418483	1	Schematic Pack ( <b>gas/propane/dual fuel</b> )
*	56419168	1	Schematic, Electrical
*	56418760	1	Schematic, Hydraulic
4	56016364	2	Decal, Warning Fan
5	56015426	1	Decal, Warning Fan
6	56025454	1	Decal, Diesel Fuel ( <b>diesel</b> )
	56016226	1	Decal, Unleaded Fuel ( <b>gas/dual fuel</b> )
7	56016259	1	Decal, Oil Fill
8	56016520	1	Decal, Circuit Breaker ( <b>diesel</b> )
	56016258	1	Decal, Circuit Breaker ( <b>gas/propane/dual fuel</b> )
9			<b>Intentionally Omitted</b>
10	56016366	3	Decal, SR 1800
	56016254	3	Decal, 2060
11	56016253	1	Decal, Wear Items 2060 ( <b>2060 only</b> )
12	56016537	1	Decal, Control Rear ( <b>diesel</b> )
	56016252	1	Decal, Control Rear ( <b>gas/propane/dual fuel</b> )
13	56016538	1	Decal, Control Front ( <b>diesel</b> )
	56016251	1	Decal, Control Front ( <b>gas/propane/dual fuel</b> )
14	56016097	1	Decal, Reflective ( <b>inside tail light</b> )
15	56015427	1	Decal, Warning Tip Over
16	56015370	4	Decal, Tie Down
17	56016363	6	Decal, Warning Hot ( <b>qty of 3 on gas/propane/dual fuel</b> )
18	56015428	1	Decal, Warning Hopper
19	56016163	1	Decal, No Step
20	56015425	1	Decal, Warning Broom

\* = Not Shown



00-5	<b>ELECTRICAL DIAGRAM (diesel)</b>	<b>BOOK F</b>		
02-12	<b>SR 1800 / Retriever™ 2060</b>	<b>F</b>	<b>8.6.1</b>	<b>67</b>

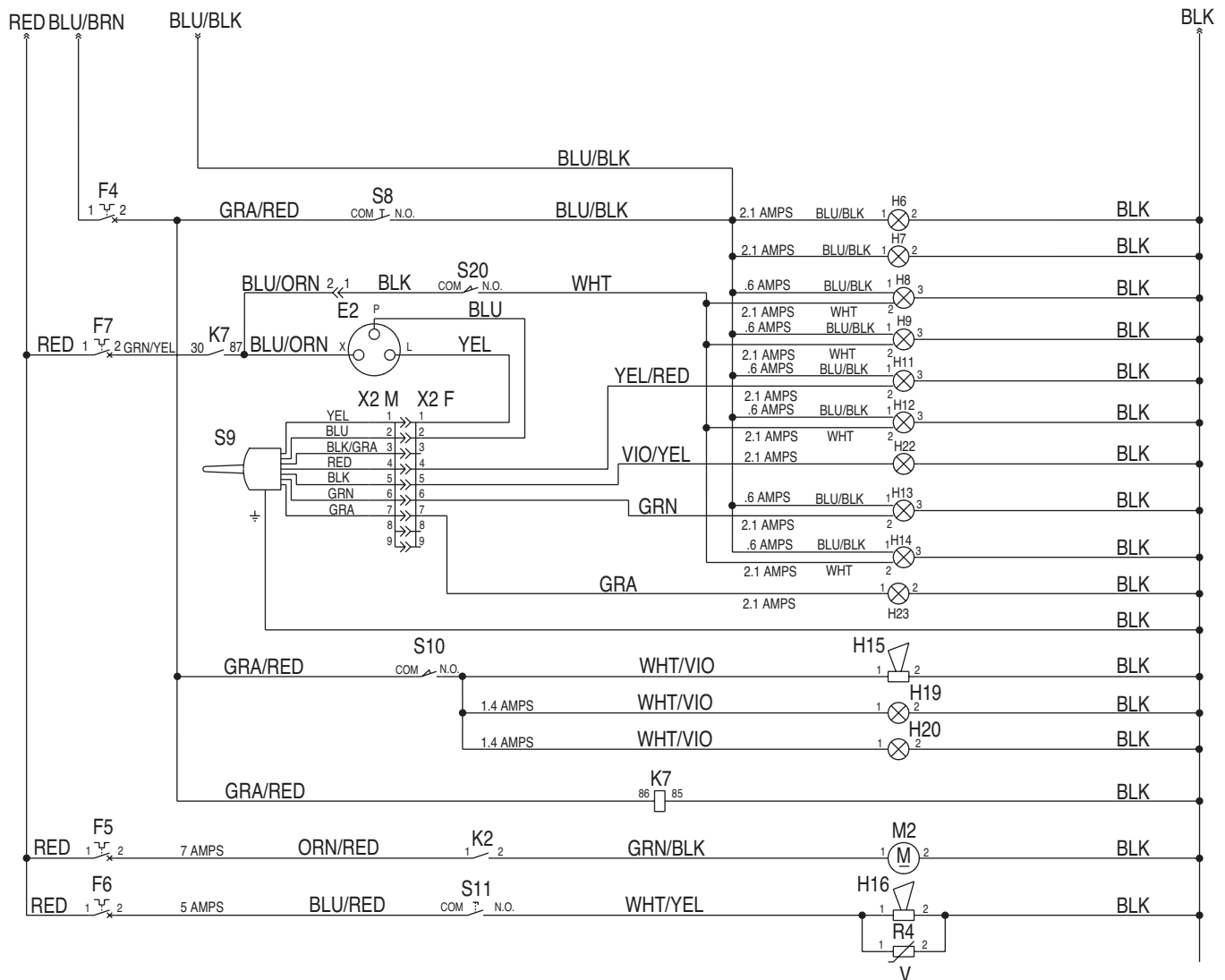
Item	Ref. No.	Qty	Description
BT	56441511	1	Battery, 12 VDC
E1	56491870	1	Timer, Shaker <b>(optional)</b>
E3	56463590	1	Glow Plug Timer
F1	56452193	1	Circuit Breaker, 40 Amp <b>(Main)</b>
F2	56387316	1	Circuit Breaker, 10 Amp <b>(Accessory Circuit)</b>
F3	56454538	1	Circuit Breaker, 15 Amp <b>(Accessory Circuit)</b>
G	56419085	1	Alternator
H1	56418672	1	Lamp, Low Oil Pressure
H2	56418672	1	Lamp, Coolant Temperature
H3	56418672	1	Lamp, Charging
H4	56418672	1	Lamp, Dust Control Filter Plugged
H5	56418672	1	Lamp, Hopper Heat Indicator
H10	56416433	1	Light, Beacon <b>(optional)</b>
*	56416435	1	Lens, Amber <b>(for 56416433)</b>
*	56416436	1	Flash Tube <b>(for 56416433)</b>
H18	56418672	1	Lamp, Hydraulic Filter
H21	56418672	1	Lamp, Hopper Door
H24	56418672	1	Lamp, Glow Plug
K2	56491862	1	Relay <b>(Shaker Motor)</b>
K3	56491862	1	Relay <b>(Accessories)</b>
K6	56418387	1	Relay, SPDT <b>(Hopper Door)</b>
L1	56419445	1	Solenoid, Fuel <b>TSB 825</b>
L2	56418104	1	Solenoid, Dust Control
L3	56418105	1	Solenoid, Main Broom
L4	56418104	1	Solenoid, Side Broom
M1	56419089	1	Starter Motor
M3	56418793	1	Fuel Pump
P1	56478363	1	Meter, Hour
P2	56489598	1	Gauge, Fuel Level
R3	56478358	1	Sender, Fuel Level
S1	56497754	1	Ignition Switch
S2	56419090	1	Switch, Engine Oil Pressure
S4	56419091	1	Switch, Coolant Temp.
S5	56418404	1	Switch, Vacuum <b>(optional)</b>
S6	56418405	1	Switch, Hopper Temp. <b>(optional)</b>
S7	56324272	1	Switch, Rocker <b>(Shaker Motor, Dust Control)</b>
S12	56418165	1	Switch, Hopper / Dump Door Interlock <b>NOTE 2</b>
			Switch, Hopper Door Interlock <b>NOTE 2</b>
S13	56372088	1	Switch, Main Broom
S14	56372088	1	Switch, Side Broom
S15	56418165	1	Switch, Dump Door Interlock <b>NOTE 2</b>
S19	56418994	1	Switch, Hydraulic Filter
S21	56460005	1	Switch, Neutral Safety
*	56418985	1	Harness, Control Panel
*	56419448	1	Harness, Main <b>TSB 825</b>
*	56418203	1	Harness, Hopper
*	56419344	1	Harness, Interlock

\* = Not Shown

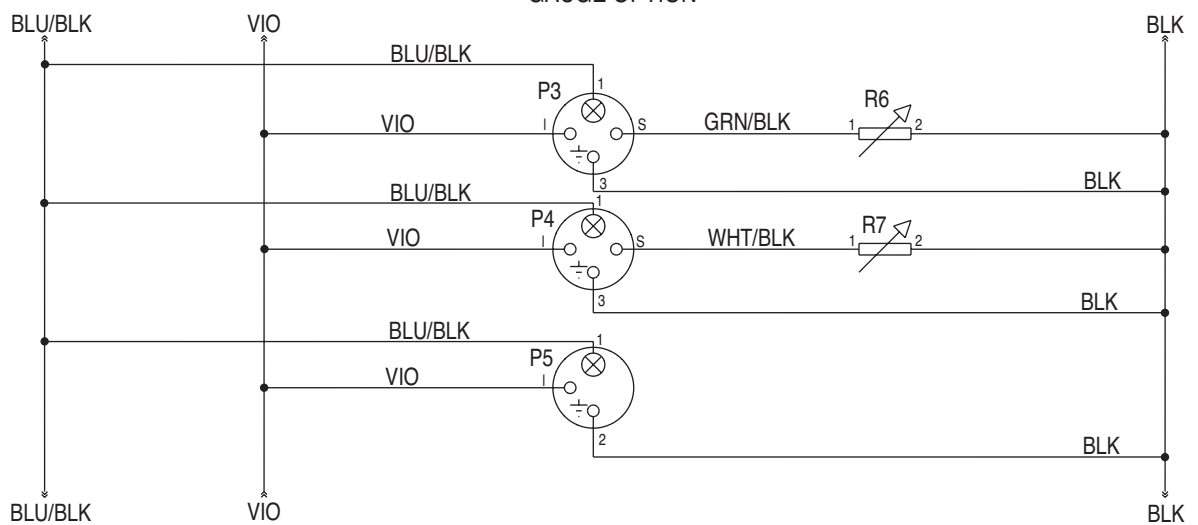
**NOTE 1:** When the Shaker Timer is not used, there is a jumper wire connected between the RED/BLK and RED/BRN wires.

**NOTE 2:** Machines after SN 1477900 have two interlock switches S12 & S15 which prevent the main broom from operating while the hopper is up or the dump door is closed. Machines before this serial number can be updated by ordering "Interlock Switch Kit" PN 56419348.

FORM NO. 56042407



**GAUGE OPTION**



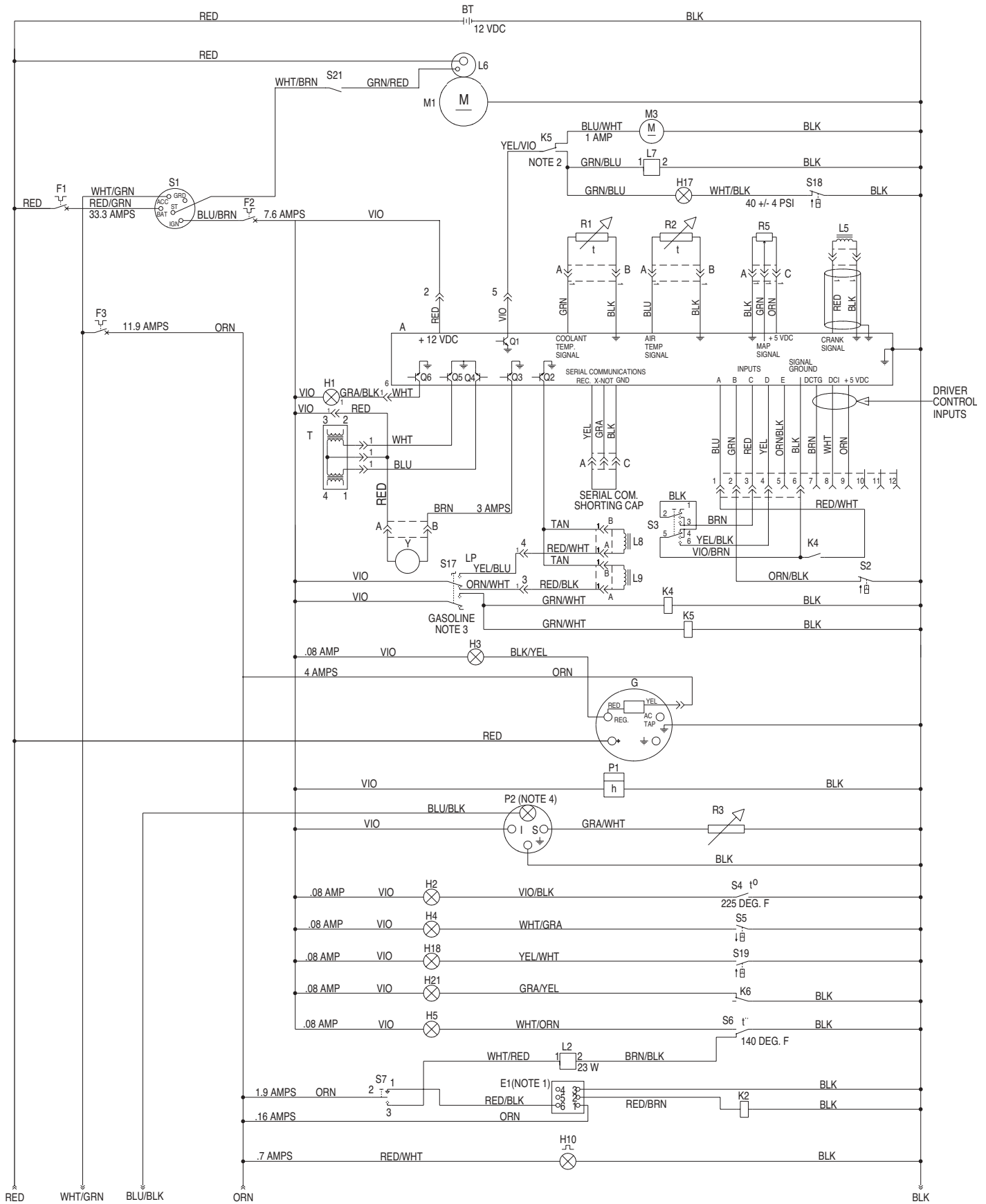
00-5	<b>ELECTRICAL DIAGRAM (diesel)</b>	<b>BOOK F</b>		
01-5	<b>SR 1800 / Retriever™ 2060</b>	<b>F</b>	<b>8.6.1</b>	<b>69</b>

Item	Ref. No.	Qty	Description
E2	56489654	1	Flasher <b>(optional)</b>
F4	56395454	1	Circuit Breaker, 20 Amp <b>(Headlights, Tail Lights)</b>
F5	56168444	1	Circuit Breaker, 8 Amp <b>(Shaker Motor)</b>
F6	56387316	1	Circuit Breaker, 10 Amp <b>(Horn)</b>
F7	56395454	1	Circuit Breaker, 20 Amp <b>(Signal Lights / optional)</b>
H6	56481543	1	Head Light, Right
H7	56481543	1	Head Light, Right
H8	56454519	1	Tail Light
H9	56454519	1	Tail Light
*	56418682	1	Light Socket Assy (includes H8 & H9)
H11	56418392	1	Signal Light, Right Front <b>(optional)</b>
H12	56418836	1	Tail / Brake Light, Right Rear <b>(optional)</b>
H13	56418392	1	Signal Light, Left Front <b>(optional)</b>
H14	56418836	1	Tail / Brake Light, Left Rear <b>(optional)</b>
H15	56462366	1	Back-Up Alarm <b>(optional)</b>
H16	56442054	1	Horn
H19	56418836	1	Lamp, Back-Up <b>(optional)</b>
H20	56418836	1	Lamp, Back-Up <b>(optional)</b>
H22	56418836	1	Signal Light, Right Rear <b>(optional)</b>
H23	56418836	1	Signal Light, Left Rear <b>(optional)</b>
K2	56491862	1	Relay <b>(Shaker Motor)</b>
K7	56491862	1	Relay, Signal Lights <b>(optional)</b>
M2	56418389	1	Motor, 12 VDC <b>(Shaker)</b>
*	56491823	1	Brush Kit for 56418389
*	56900218	1	Plug for 56418389
*	56900215	2	Connector Pin for 56900218
R4		1	Varistor
S8	56393312	1	Switch, Rocker <b>(Headlights)</b>
S9	56418411	1	Switch, Turn Signal <b>(optional)</b>
S10	56455403	1	Switch, Back-Up Alarm <b>(optional)</b>
S11	56441555	1	Switch, Horn
S20	56418411	1	Switch, Brake Light
<b>GAUGE OPTION COMPONENTS</b>			
P3	56489592	1	Gauge, Oil Pressure <b>(optional / standard after SN 1477918)</b>
P4	56489600	1	Gauge, Coolant Temperature <b>(optional / standard after SN 1477918)</b>
P5	56482044	1	Voltmeter <b>(optional / standard after SN 1477918)</b>
R6	56478698	1	Sender, Oil Pressure <b>(optional / standard after SN 1477918)</b>
R7	56481888	1	Sender, Coolant Temperature <b>(optional / standard after SN 1477918)</b>
**	56418390	1	Turn Signal Kit
**	56418420	1	Temperature Switch Kit
**	56418406	1	Vacuum Switch Kit
**	56418421	1	Back-Up Alarm Kit
**	56418369	1	Gauge Kit
**	56418834	1	Shaker Timer Kit
**	56418767	1	Beacon Kit

\* = Not Shown

\*\* = Optional

**NOTE:** For Gauge Option the following items are not used: H2 and S4. R7 replaces S4 with Gauge Option. Cut the VIO / BLK wire off the connector at the lights and connect it to the VIO / BLK wire supplied with the Gauge Kit.



00-5	<b>ELECTRICAL DIAGRAM (gas/propane/dual fuel)</b>	<b>BOOK F</b>		
02-12	<b>SR 1800 / Retriever™ 2060</b>	<b>F</b>	<b>8.6.1</b>	<b>71</b>

Item	Ref. No.	Qty	Description	Item	Ref. No.	Qty	Description
A	56419165	1	Electronic Control Unit, LP (before SN 1620762)	P1	56478363	1	Hour Meter
	56419406	1	Electronic Control Unit, LP (after SN 1620761)	P2	56489598	1	Fuel Gauge ( <b>gas/dual fuel</b> )
	56419164	1	Electr. Control Unit, Dual/Fuel				
	56418806	1	Electronic Control Unit, Gas (before SN 1604272)	Q1	N/A	1	Fuel Pump Relay Driver
	56419391	1	Electronic Control Unit, Gas (after SN 1604271)	Q2	N/A	1	Fuel Injection Driver
				Q3	N/A	1	Throttle Driver
BT	56441511	1	Battery, 12 VDC	Q4	N/A	1	Ignition Driver
*	56459055	1	Battery Cable (+)	Q5	N/A	1	Ignition Driver
*	56386973	1	Battery Cable (-)	Q6	N/A	1	Aux. Output
E1	56491870	1	Timer, Shaker (optional)	R1	56418805	1	Sensor, Coolant Temp.
				R2	56418805	1	Sensor, Air Temp
F1	56452193	1	Circuit Breaker, 40 Amp ( <b>Main</b> )	R3	56478358	1	Sender, Fuel ( <b>gas/dual fuel</b> )
F2	56454538	1	Circuit Breaker, 15 Amp ( <b>Ignition Circuit</b> )	R5	56418807	1	Sensor, MAP
F3	56454538	1	Circuit Breaker, 15 Amp ( <b>Accessory Circuit 1</b> )	S1	56418685	1	Switch, Ignition
					56419123	1	replacement Ign. Key ( <b>for 56418685</b> )
G	56463608	1	Alternator	S2	56418729	1	Switch, Engine Oil Pressure
				S3	56455820	1	Switch, Throttle
H1	56418672	1	Lamp, Low Oil Pressure	S4	56497849	1	Switch, Coolant Temp.
H2	56418672	1	Lamp, Coolant Temperature	S5	56418404	1	Switch, Vacuum ( <b>optional</b> )
H3	56418672	1	Lamp, Charging	S6	56418405	1	Switch, Hopper Temp. ( <b>optional</b> )
H4	56418672	1	Lamp, Dust Control Filter Plugged	S7	56324272	1	Switch, Dust Control/Shaker
H5	56418672	1	Lamp, Hopper Heat Indicator	S17	56418408	1	Switch, Fuel Select ( <b>dual fuel</b> )
H10	56416433	1	Light, Beacon ( <b>optional</b> )	S18	56418381	1	Switch, LP Pressure
*	56416435	1	Lens, Amber ( <b>for 56416433</b> )	S19	N/A	1	Switch, Hydraulic Filter
*	56416436	1	Flash Tube ( <b>for 56416433</b> )	S21	56460005	1	Switch, Neutral Safety
H17	56418672	1	Lamp, Low LP				
H18	56418672	1	Lamp, Hydraulic Filter	T	56462887	1	Ignition Coil <b>TSB 782</b>
H21	56418672	1	Lamp, Hopper Door	T	56463859	1	Ignition Coil <b>TSB 782</b>
				Y	N/A	1	Throttle Actuator
K2	56491862	1	Relay, Shaker Motor	*	56419167	1	Harness, Main Wiring
K4	56491862	1	Relay, Dual Fuel Select ( <b>dual fuel models only</b> )	*	56418628	1	Harness, Control Panel Wiring
K5	56418387	1	Relay, Fuel Supply Select ( <b>dual fuel models only</b> )	*	56418203	1	Harness, Hopper Wiring
				*	56419344	1	Harness, Interlock
				*	56463575	1	Spark Plug Wire Set <b>TSB 782</b>
				*	56463854	1	Spark Plug Wire Set <b>TSB 782</b>
L2	56418104	1	Solenoid, Dust Control				
L5	56418808	1	Sensor, Crank Position				
L6	N/A	1	Starter Solenoid				
L7	56418305	1	Solenoid, LP				
L8	56418812	1	Propane Fuel Injector				
L9	56418813	1	Gasoline Fuel Injector				
M1	56418719	1	Starter Assembly				
M3	56418793	1	Fuel Pump ( <b>gas/dual fuel</b> )				

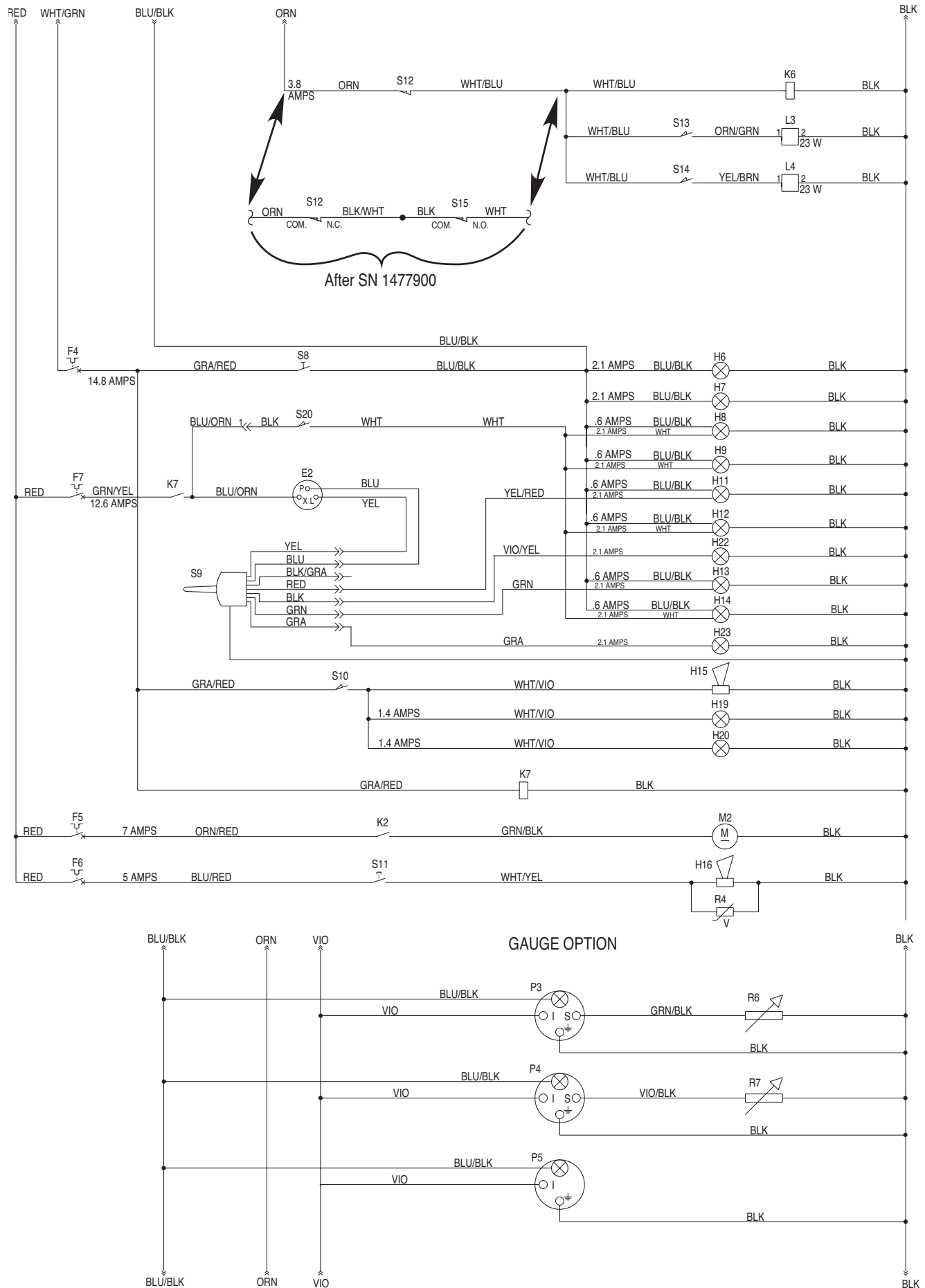
\* = Not Shown

**NOTE 1:** When the Shaker Timer is not used, there is a jumper wire connected between the RED/BLK and RED/BRN wires.

**NOTE 2:** When the Dual Fuel option is not used, there is a jumper connected between the YEL/VIO and GRN/BLU wires for LP, or between the YEL/VIO and BLU/WHT wires for Gasoline.

**NOTE 3:** When the Dual Fuel option is not used, there are jumpers connected between the VIO, YEL/BLU and ORN/WHT wires.

**NOTE 4:** Fuel Gauge is not used with LP only machine.





00-5	<b>ELECTRICAL DIAGRAM (gas/propane/dual fuel)</b>	<b>BOOK F</b>		
01-5	<b>SR 1800 / Retriever™ 2060</b>	<b>F</b>	<b>8.6.1</b>	<b>73</b>

Item	Ref. No.	Qty	Description
E2	56489654	1	Flasher <b>(optional)</b>
F4	56395454	1	Circuit Breaker, 20 Amp <b>(Head Lights / Tail Lights)</b>
F5	56168444	1	Circuit Breaker, 8 Amp <b>(Shaker Motor)</b>
F6	56387316	1	Circuit Breaker, 10 Amp <b>(Horn)</b>
F7	56395454	1	Circuit Breaker, 20 Amp <b>(Signal Lights / optional)</b>
H6	56481543	1	Head Light, Right
H7	56481543	1	Head Light, Left
H8	56454519	1	Tail Light
H9	56454519	1	Tail Light
*	56418682	1	Light Socket Assy (includes H8 & H9)
H11	56418392	1	Signal Light, Right Front <b>(optional)</b>
H12	56418836	1	Tail/Brake Light, Right Rear <b>(optional)</b>
H13	56418392	1	Signal Light, Left Front <b>(optional)</b>
H14	56418836	1	Tail/Brake Light, Left Rear <b>(optional)</b>
H15	56462366	1	Back-Up Alarm <b>(optional)</b>
H16	56442054	1	Horn
H19	56418836	1	Lamp, Back-Up <b>(optional)</b>
H20	56418836	1	Lamp, Back-Up <b>(optional)</b>
H22	56418836	1	Signal Light, Right Rear <b>(optional)</b>
H23	56418836	1	Signal Light, Left Rear <b>(optional)</b>
K2	56491862	1	Relay, Shaker Motor
K6	56418387	1	Relay, Hopper Door
K7	56491862	1	Relay, Signal Lights <b>(optional)</b>
L3	56418105	1	Solenoid, Main Broom
L4	56418104	1	Solenoid, Side Broom
M2	56418389	1	Shaker Motor
R4	56418416	1	Varistor
S8	56393312	1	Switch, Head Lights
S9	56418411	1	Switch, Turn Signal <b>(optional)</b>
S10	56455403	1	Switch, Back-Up Alarm <b>(optional)</b>
S11	56441555	1	Switch, Horn
S12	56418165	1	Switch, Hopper/Dump Door Interlock <b>NOTE 2</b>
			Switch, Hopper Door Interlock <b>NOTE 2</b>
S13	56372088	1	Switch, Main Broom
S14	56372088	1	Switch, Side Broom
S15	56418165	1	Switch, Dump Door Interlock <b>NOTE 2</b>
S20	56418411	1	Switch, Brake Light
<b>GAUGE OPTION COMPONENTS</b>			
P3	56489592	1	Gauge, Oil Pressure <b>(optional / standard after SN 1477918)</b>
P4	56489600	1	Gauge, Coolant Temperature <b>(optional / standard after SN 1477918)</b>
P5	56482044	1	Voltmeter <b>(optional / standard after SN 1477918)</b>
R6	56478698	1	Sender, Oil Pressure <b>(optional / standard after SN 1477918)</b>
R7	56481888	1	Sender, Coolant Temperature <b>(optional / standard after SN 1477918)</b>
**	56418390	1	Turn Signal Kit
**	56418420	1	Temperature Switch Kit
**	56418406	1	Vacuum Switch Kit
**	56418421	1	Back-Up Alarm Kit
**	56418369	1	Gauge Kit
**	56418834	1	Shaker Timer Kit
**	56418767	1	Beacon Kit

\* = Not Shown

\*\* = Optional

**NOTE 1:** For Gauge Option the following items are not used: H2 and S4. R7 replaces S4 with Gauge Option. Cut the VIO / BLK wire off the connector at the lights and connect it to the VIO / BLK wire supplied with the Gauge Kit. These 'optional' gauges became standard equipment on machines after SN 1477918.

**NOTE 2:** Machines after SN 1477900 have two interlock switches S12 & S15 which prevent the main broom from operating while the hopper is up or the dump door is closed. Machines before this serial number can be updated by ordering "Interlock Switch Kit" PN 56419348.

## List Of Recommended Spare Parts 2060 / SR 1800

Part #	Part Description	Qty	Class	Model Notes
56418814	Machine Wear Pack Kit	1	W	* Items included in Kit
	<b>Hopper System</b>			
56418982	*Skirt, Sweeping Threshold (.187)	1	W	Std
56418293	Skirt, Sweeping Threshold (.125)	1	W	Optional
56418284	*Blade, Dump Door	2	W	
56418815	*Gasket, Hopper Cover	1	OM	
56418172	*Gasket, Litter Door	1	OM	
56482305	*Filter Panel, Dust Control	1	W	
56418289	Hopper Seal, Top Horizontal	1	W	
56418944	Blade, Litter Shield	1	W	
56418295	Inside Blade, Hopper	1	OM	
56418297	Shield, Dust	1	W	
56419440	*Blade (side of Dump Door)	2	W	
	<b>Broom System</b>			
56505240	*Main Broom, Proex STD	1	W	
56477812	*Side Broom, STD	1	W	
56418063	*Left Skirt, Broom Housing	1	W	
56418070	*Skirt, Right Door	1	W	
56418121	*Right Skirt, Broom Housing	1	W	
56462159	*Rear Blade, broom Housing	1	W	
56462160	*Internal Blade, Broom Housing	1	W	
56418469	Skirt, Left Door	2	W	
56419126	Blade	2	W	
	<b>Engine</b>			
56482028	*Air Cleaner Filter, Primary	1	OM	
56482029	*Air Cleaner Filter, Safety	1	OM	
56419086	Fuel Filter Cartridge	1	OM	Diesel
56482659	Oil Filter, Engine	1	OM	Diesel
56462862	Oil Filter, Engine	1	OM	Gasoline/Liquid Propane
56418509	Fuel Filter	1	OM	Gasoline
56418910	Fuel Filter	1	OM	Liquid Propane (LP)
56418718	Engine, Cooling Fan	1	EM	

00-5	<b>RECOMMENDED SPARE PARTS</b>	<b>BOOK F</b>		
01-5	<b>SR 1800 / Retriever™ 2060</b>	<b>F</b>	<b>8.6.1</b>	<b>75</b>

<b>List Of Recommended Spare Parts (cont.) 2060 / SR 1800</b>				
<b>Part #</b>	<b>Part Description</b>	<b>Qty</b>	<b>Class</b>	<b>Model Notes</b>
	<b>Chassis</b>			
56418075	Tire Assembly, Front/Rear (3 total)	1	OM	
56003384	Lug Nut, Tire Assembly	5	EM	
56418471	Latch, Door (non-locking)	1	EM	
	<b>Hydraulic</b>			
56419083	Hydraulic Oil Filter	1	OM	Main Reservoir
56419254	Hydraulic Oil Filter Cartridge	1	OM	Used on Propulsion Pump
56418825	Seal Kit, Propulsion Pump	1	EM	
56418987	Seal Kit, Accessory Pump	1	EM	
56418833	Seal kit, Wheel Drive Motor	1	EM	
56479577	Seal Kit, Main Broom Motor	1	EM	
56479577	Seal Kit, Side Broom Motor	1	EM	
56419178	Seal Kit, Impeller motor	1	EM	
	<b>Electrical</b>			
56460005	Neutral Safety Start Switch	1	EM	
56372088	Switch, Main & Side Broom	2	EM	
56418387	Relay, Hopper Door Light	1	EM	
56491862	Relay, Shaker motor/Accessories	1	EM	
56324272	Switch, Rocker (shaker/dust)	1	EM	
56393312	Switch, Rocker (headlight)	1	EM	
56455820	Switch, Rocker (engine speed)	1	EM	Gasoline/Liquid Propane
56418165	Switch, Interlock (hopper/dump door)	2	EM	New style two switches
56418305	Solenoid, Fuel Lock Off		EM	Liquid Propane (LP)
	<b>Miscellaneous</b>			
56418528	Thumb Nut Weldt, Side Broom	1	EM	
56419123	Replacement Key (for PN 56418685)	1	EM	Used on G/P models only
56482692	Replacement Key (for PN 56497754)	1	EM	Used on Diesel models only
56419267	Zenith Fuel System Test Kit	1	OM	G/P Engine Fuel Injection
56043059	2060 / SR 1800 Service manual	1	OM	<ul style="list-style-type: none"> <li>• For all SR 1800 models</li> <li>• For 2060; (all diesel), (G after SN 1451899), &amp; (P/DU after SN 1450215)</li> </ul>

**Class**

W = Normal Wear Part

OM = Ordinary Maintenance

EM = Extra-Ordinary Maintenance

**DANMARK**

Nilfisk-Advance Nordic A/S  
Sognevej 25 - Box 344  
DK-2605 Broendby  
☎ 43 23 83 50 – Fax 43 42 15 95

**NORGE**

Nilfisk-Advance AS  
Enebakavn, 119, 0680 Oslo, Postboks 196, Manglerud,  
0612 Oslo  
☎ 22 08 63 50 – Fax 22 08 63 63  
Distriktsrepresentanter over hele landet

**SVERIGE**

Nilfisk-Advance AB  
Sjöbjörnsvägen 5, 117 67 Stockholm  
☎ 085 55 944 00 – Fax 085 55 944 30

**FINLAND/ SUOMI**

BERNER Ltd. Facotek Department  
Etäleranta 4B, 00130 Helsinki  
☎ +358 9 1345 1382

**AUSTRALIA**

Nilfisk-Advance Pty. Ltd.  
48 Egerton Street  
Silverwater NSW 2128  
☎ (02) 8748 5905 – Fax (02) 9648 2711  
Customer Responce Centre:  
☎ 1 800 011 013

**BELGIQUE / BELGIË/ LUXEMBOURG**

Nilfisk-Advance s.a./n.v.  
Doornveld/ Sphere Business Park  
Industrie Asse 3, nr 11 – bus 41  
1731 Zellik-Asse  
☎ (02) 467.60.50 Fax (02) 463.44.16

**CANADA**

Nilfisk-Advance Ltd.  
396 Watline Avenue  
Mississauga, Ontario L4Z 1X  
☎ (905) 712-3260 – Fax (905) 712-3255

**DEUTSCHLAND**

Nilfisk-Advance AG  
Siemensstraße 25-27  
25462 Rellingen  
☎ (041 01) 3990 – Fax (04101) 399191  
Zentraler Kundenservice  
☎ für die Industrie: 0180 535 67 97  
☎ Institutionen und Gebäudereiniger: 0180 500 11 70

**FRANCE**

Nilfisk-Advance S.A.  
BP 246  
91944 Courtaboeuf Cedex  
☎ (01) 69.59.87.00 Télécopie (01) 69.59.87.01

**HONG KONG**

Nilfisk-Advance Ltd.  
2001, 20/F HK Worsted Mills  
Industrial Building  
31-39 Wo Tong Tsui Street  
Kwai Chung, N.T.  
☎ 2427 59 51 – Fax 2487 5828

**IRELAND**

Nilfisk-Advance Ltd.  
28 Sandyford Office Park  
Dublin 18  
☎ +353 1 2943838 – Fax +353 1 2943845

**JAPAN**

Nilfisk-Advance Inc.  
3-4-9 Chigasaki Minami  
Tsuzuki-Ku Yokohama 224 0037  
☎ 045-942-7741 – Fax 045-942-6545

**MALAYSIA**

Nilfisk-Advance Sdn Bhd  
Lot 2, 1<sup>st</sup>. Floor  
Lorong 19/1A  
46300 Petaling Jaya  
Selangor Darul Ehsan  
☎ 03-7568188/03-7568189/03-7568388 – Fax 03-7566828

**NEDERLAND**

Nilfisk-Advance B.V.  
Flevolaan 7, Postbus 341  
1380 AH Weesp  
☎ 0294-462121 – Fax 0294-430053

**NEW ZEALAND**

Nilfisk-Advance Limited  
477 Great South Road, Penrose  
Auckland  
☎ (09) 525 0092 – Fax (09) 525 6440

**SCHWEIZ / SUISSE**

Nilfisk-Advance AG  
Ringstrasse 19, 9533 Kirchberg/Wil  
☎ 719 23 52 83 – Fax 719 23 84 44

**SINGAPORE**

Nilisk-Advance Pte. Ltd.  
22, Woodlands Industrial Park E1  
Singapore 757740  
☎ (65) 759 9100 – Fax (65) 759 9133

**TAIWAN**

Nilfisk-Advance Ltd.  
1 F, No.23, Lane 132, Sec. 2  
Ta An Road, Taipei  
☎ 700 22 68 – Fax 784 08 43

**UNITED KINGDOM**

Nilfisk-Advance Limited  
Newmarket Road  
Bury St. Edmunds  
Suffolk IP 33 3SR  
☎ (01284) 763163 – Fax (01284) 750562

**USA**

Nilfisk-Advance Inc.  
14600 21<sup>st</sup> Avenue North  
Plymouth, MN 55447-3408  
☎ +1 800 989 2235 – Fax 1 800 989 6566

Nilfisk-Advance of America, Inc.  
300 Technology Drive  
Malvern, PA 19355  
☎ (610) 647 647-6427

**ÖSTERREICH**

Nilfisk-Advance GmbH  
Vorarberg Allee 46  
1230 Wien  
☎ 1 616 58 30 – Fax 1 616 58 30 40

**ESPAÑA**

Nilfisk-Advance, S.A.  
Torre D'Ar  
Passeig del Rengle, 5 Pl.9-10  
E-08302 – Mataró (Barcelona)  
☎ Tel. 93 741 24 00 – Fax: 93 757 80 20  
Central atención al cliente: 902 200 201  
[nilfisk@nilfisk-advance.es](mailto:nilfisk@nilfisk-advance.es) – [www.nilfisk-advance.com](http://www.nilfisk-advance.com)  
Distribuidores y Servicio Técnico en toda España y Andorra

**ITALIA**

Nilfisk-Advance Italia Spa  
Località Novella Terza  
26862 Guardamiglio (LO)  
Italy  
☎ +39 0377 414067-54 – Fax +39 0377 414097  
[www.nilfisk-advance.com](http://www.nilfisk-advance.com)

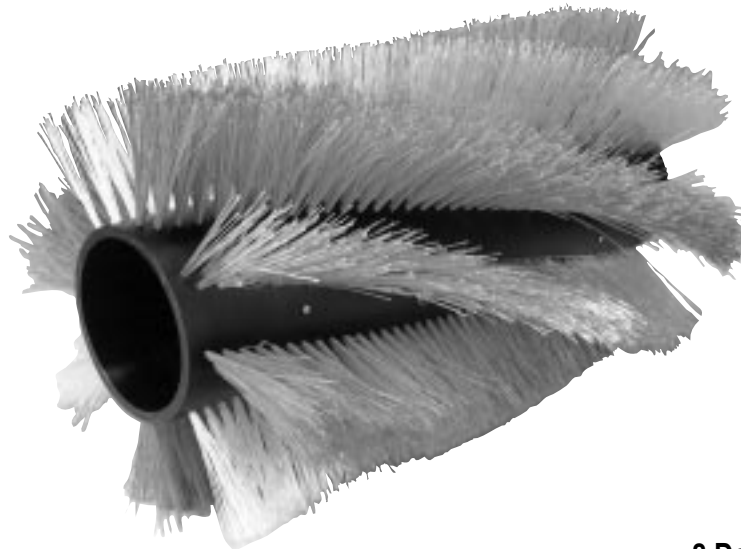
**PORTUGAL**

Nilfisk-Advance Lda.  
Rua Cândido de Figueiredo, 91-i, 1500-133 LISBOA  
☎ 01/7784142 – Fax 01/7785613  
Porto 02/526766 – Fax 02/520739  
Açores 096/628092/3 – Fax 096/628129  
Madeira 091/228965 – Fax 091/228796

**GREECE**

Embiom S.A.  
Λεωφ. Βουλιαγμένης 60  
Αργυρούπολη  
164 52 Αθήνα  
☎ 9950613 - Fax 9951680



**Main Broom: PN56505240 Proex & Wire (STD.) (8 Double Rows)**

This broom has a more aggressive cleaning action, used to pick up heavier debris.

**PN56505207 Proex & Wire (Optional) (12 D-Rows)****PN56505071 Polypropylene (Optional) (8 D-Rows)**

A top quality synthetic fiber. This filament is made for a wide variety of applications. Retains its stiffness when wet and resists abrasive chemicals, solvents and oils. A general purpose material offering high performance for a wide range of applications.

**PN56505210 Nylon (Optional) (8 D-Rows)**

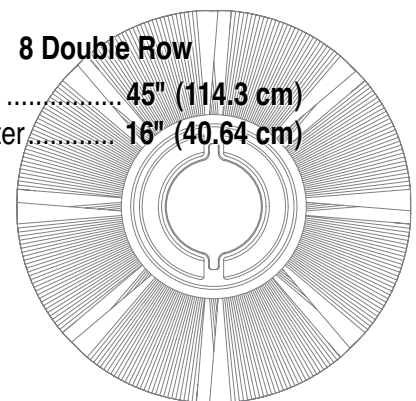
General purpose broom that can be used for all types of light soil. High wear material so uneven surfaces do not cause excessive wear. Nylon has a high heat deflection temperature, is chemical resistant and will absorb water in wet conditions. Truly a general purpose broom.

**PN56505209 Proex (Optional) (12 Double Rows)****PN56505211 Proex (Optional) (8 Double Rows)**

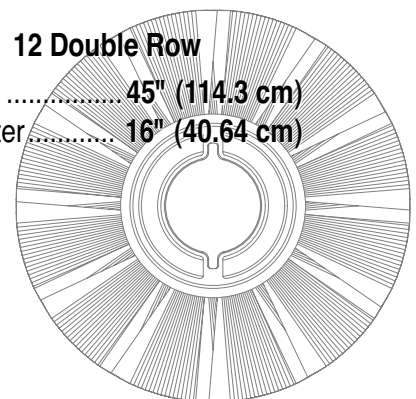
Synthetic fiber made of polypropylene designed to pick up paper, gravel, sand and other lighter less bulky litter.

**PN56505208 Poly/Wire (Optional) (8 Double Rows)****8 Double Row**

Length ..... 45" (114.3 cm)  
Diameter ..... 16" (40.64 cm)

**12 Double Row**

Length ..... 45" (114.3 cm)  
Diameter ..... 16" (40.64 cm)

**Side Broom: PN56477812 Polypropylene (STD.)**

The side broom function is to sweep the dirt and debris away from the curb, wall, pallet, etc. into the path of the main broom.

**PN56418837 Nylon (Optional)****PN56418838 Wire (Optional)**

Diameter ..... 25" (63.5 cm)

# Material Composition of the Nilfisk SR 1800

