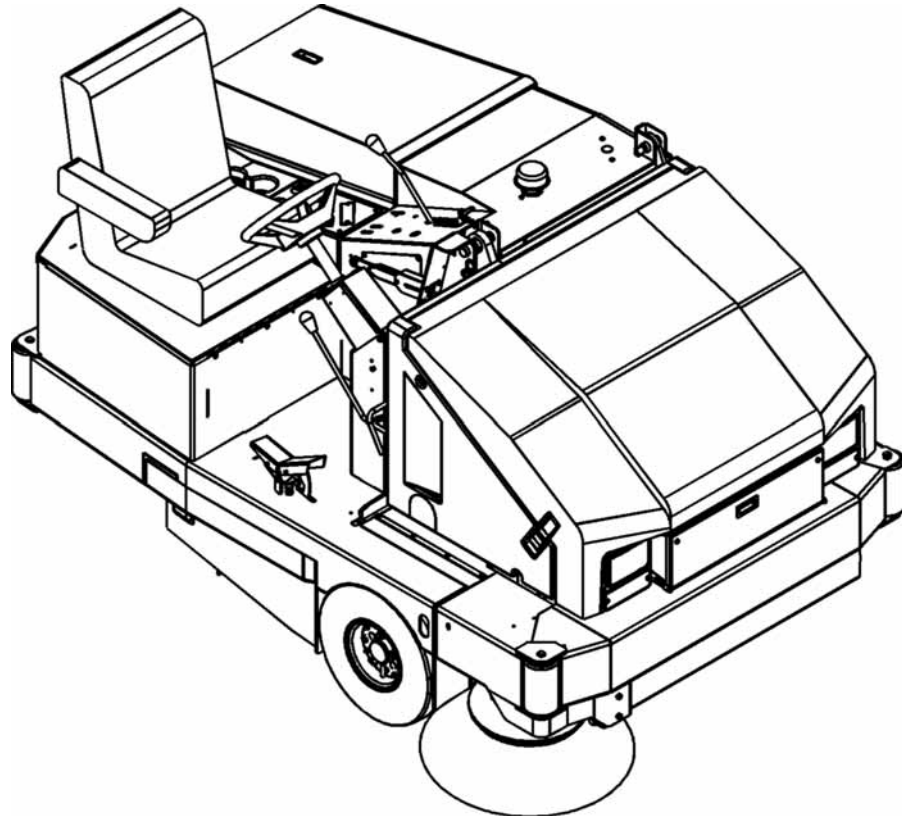


# Retriever™ 6250

## SR 1800H



### PARTS LIST

Advance MODELS 56419500(LPG), 56419501(Gasoline/Petrol),  
56419422(Diesel)

Nilfisk MODELS 56419502(LPG), 56419503(Gasoline/Petrol),  
56418007(Diesel)

This manual covers models manufactured after January 2004 with a General Motors engine.



**Nilfisk**  
**Advance**  
*setting standards*

12/03 revised 5/06 FORM NO. 56042447  
BOOK F SECTION 10.3.1

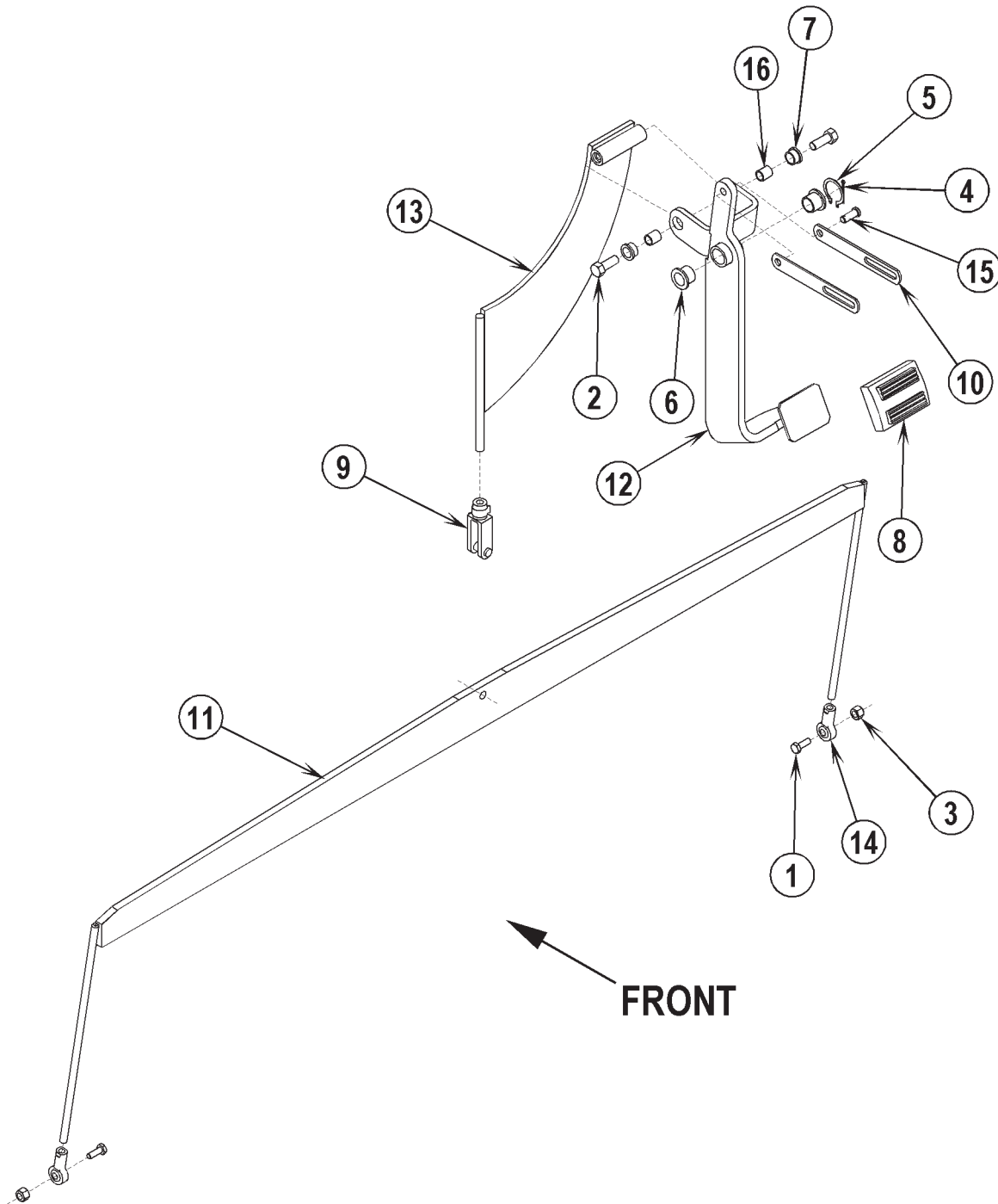


DESCRIPTION	PLAN
BRAKE LEVER ASSEMBLY .....	F-10.3.1-3
CHASSIS SYSTEM - 1 .....	F-10.3.1-5
CHASSIS SYSTEM - 2 .....	F-10.3.1-7
CHASSIS SYSTEM - 3 .....	F-10.3.1-9
CIRCUIT BREAKER ASSEMBLY (DIESEL) .....	F-10.3.1-11
CIRCUIT BREAKER ASSEMBLY (GASOLINE/PETROL & LPG).....	F-10.3.1-13
CONTROL PANEL ASSEMBLY .....	F-10.3.1-15
CONTROL SYSTEM.....	F-10.3.1-17
DECAL SYSTEM .....	F-10.3.1-19
DIESEL ENGINE SYSTEM.....	F-10.3.1-21
DIESEL ENGINE SYSTEM COMPONENTS .....	F-10.3.1-23
DIESEL RADIATOR ASSEMBLY .....	F-10.3.1-25
DRIVE WHEEL SYSTEM .....	F-10.3.1-27
DUST CONTROL SYSTEM.....	F-10.3.1-29
ELECTRICAL DIAGRAM (DIESEL) - 1.....	F-10.3.1-31
ELECTRICAL DIAGRAM (DIESEL) - 2.....	F-10.3.1-33
ELECTRICAL DIAGRAM (GASOLINE/PETROL & LPG) - 1 .....	F-10.3.1-35
ELECTRICAL DIAGRAM (GASOLINE/PETROL & LPG) - 2 .....	F-10.3.1-37
HYDRAULIC SYSTEM .....	F-10.3.1-38-41
FRONT WHEEL SYSTEM.....	F-10.3.1-43
GASOLINE/PETROL & LPG ENGINE SYSTEM .....	F-10.3.1-45
GASOLINE/PETROL & LPG ENGINE COMPONENTS .....	F-10.3.1-47
GASOLINE/PETROL & LPG RADIATOR ASSEMBLY .....	F-10.3.1-49
GASOLINE/PETROL FUEL SYSTEM .....	F-10.3.1-51
LPG FUEL SYSTEM.....	F-10.3.1-53
HOPPER SYSTEM - 1.....	F-10.3.1-55
HOPPER SYSTEM - 2.....	F-10.3.1-57
LINKAGE ASSEMBLY .....	F-10.3.1-59
MAIN BROOM SYSTEM - 1 .....	F-10.3.1-61
MAIN BROOM SYSTEM - 2 .....	F-10.3.1-63
SIDE BROOM SYSTEM - 1.....	F-10.3.1-65
SIDE BROOM SYSTEM - 2.....	F-10.3.1-67
THROTTLE PEDAL ASSEMBLY .....	F-10.3.1-69
TILT STEERING ASSEMBLY .....	F-10.3.1-71
RECOMMENDED SPARE PARTS .....	F-10.3.1-72-73

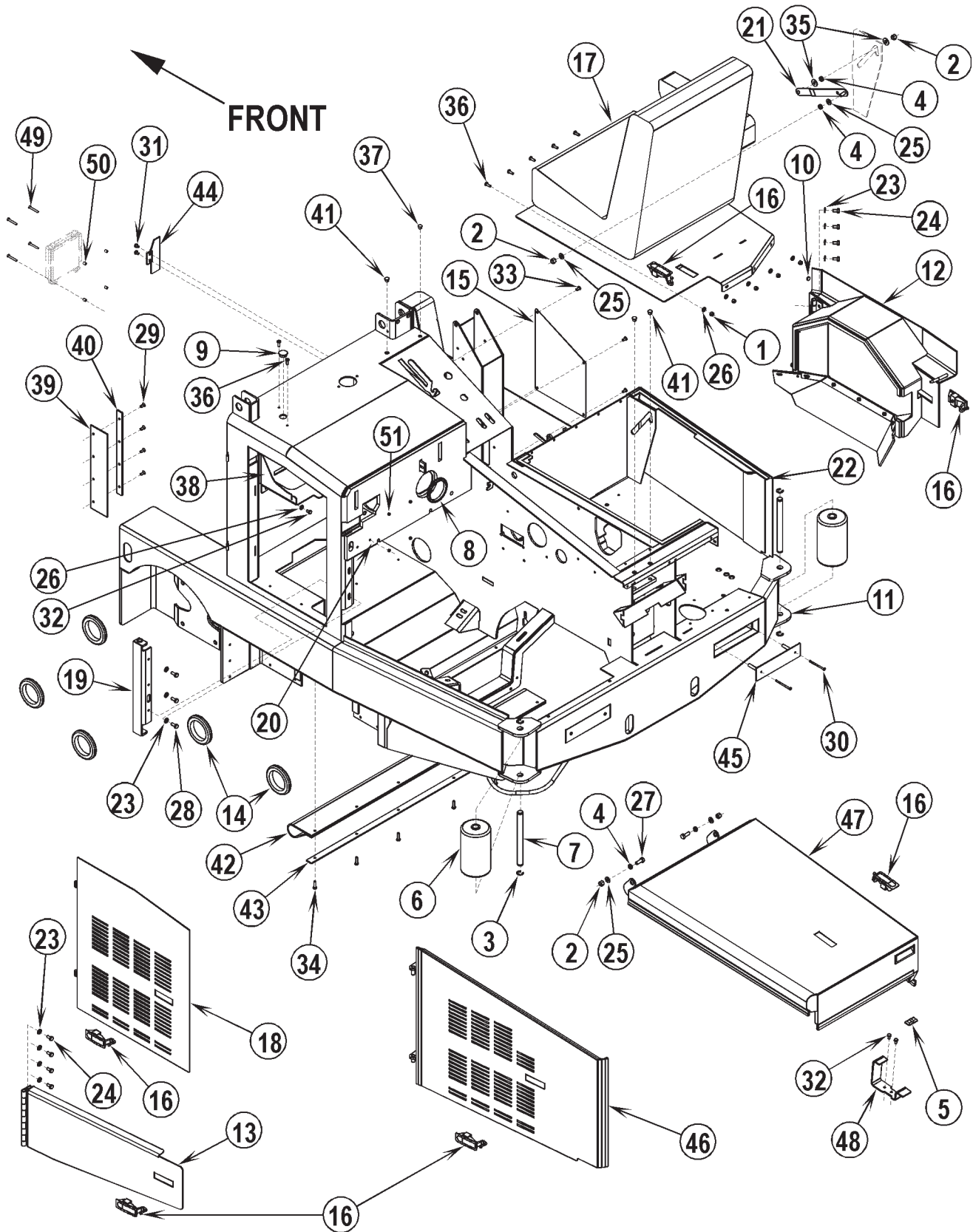
#### WHEN ORDERING PARTS

- \* Use the 8 digit numbers from the "Ref. No." columns in this parts list.
- \* Specify the model and serial number of the machine.
- \* Use the space below to record the model and serial number for future reference.

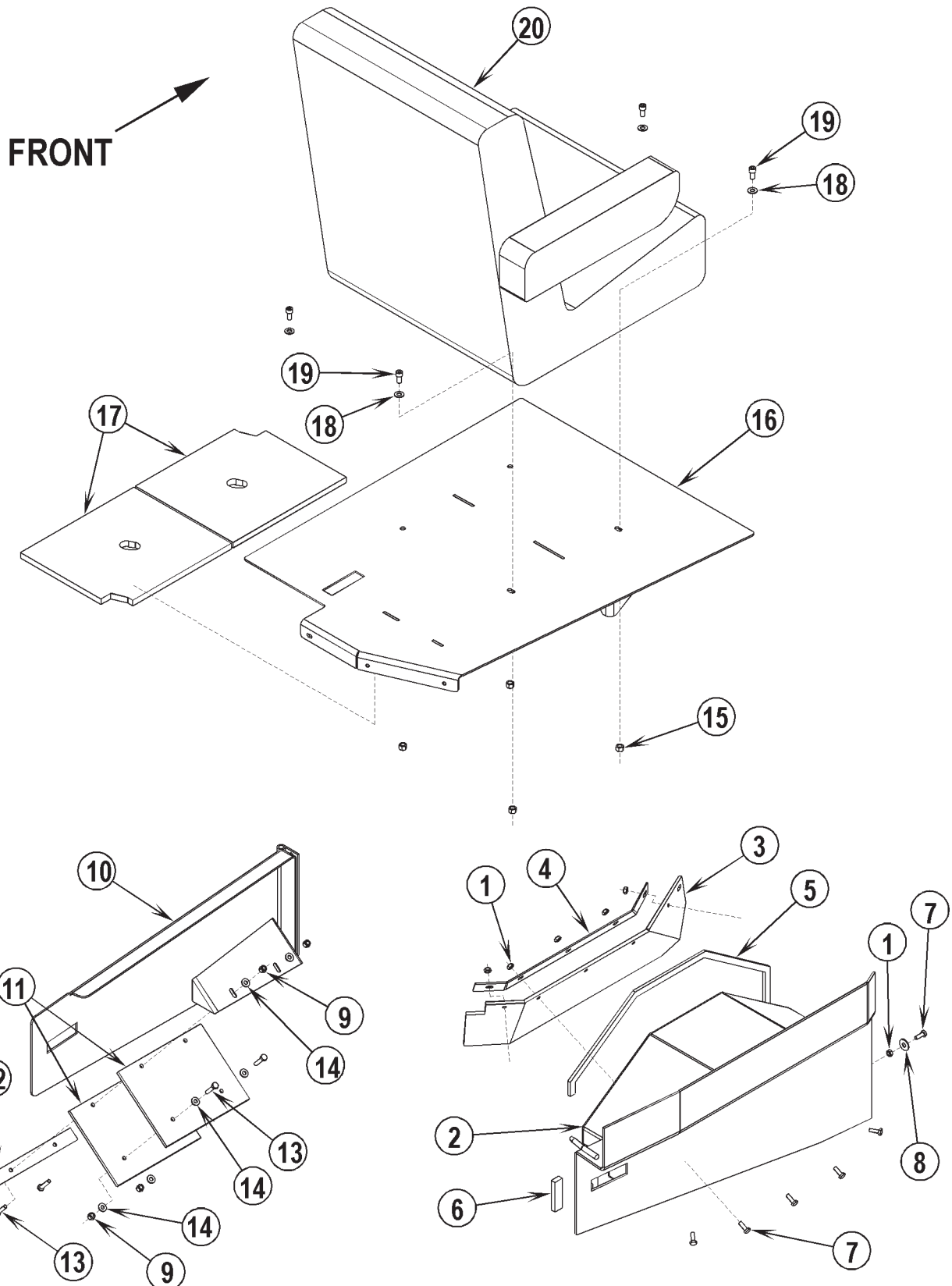
Model \_\_\_\_\_ Serial No. \_\_\_\_\_



Item	Ref. No.	Qty	Description
	56418138	1	Brake Lever Assembly
1	56002588	1	Scr, Hex Hd 5/16-24 x 1.00
2	56002947	2	Scr, Hex Hd Loc 3/8-16 x 1.00
3	56002950	2	Nut, Hex Nyl Loc 5/16-24
4	56003144	1	Pin, Cotter 1/16 x 1/2
5	56003255	1	Ring, Ret ext
6	56171095	2	Bearing, Flange
7	56185264	2	Bearing, Flange
8	56365002	1	Pad, Rubber
9	56416088	1	Clevis Assembly
10	56416348	2	Linkage, Handbrake
11	56418137	1	Brake Yoke Weldment
12	56418144	1	Brake Lever Weldment
13	56418145	1	Link Weldment
14	56418478	2	Rod End .31
15	56455357	1	Pin
16	56458410	2	Bushing .39 x .50 x .56



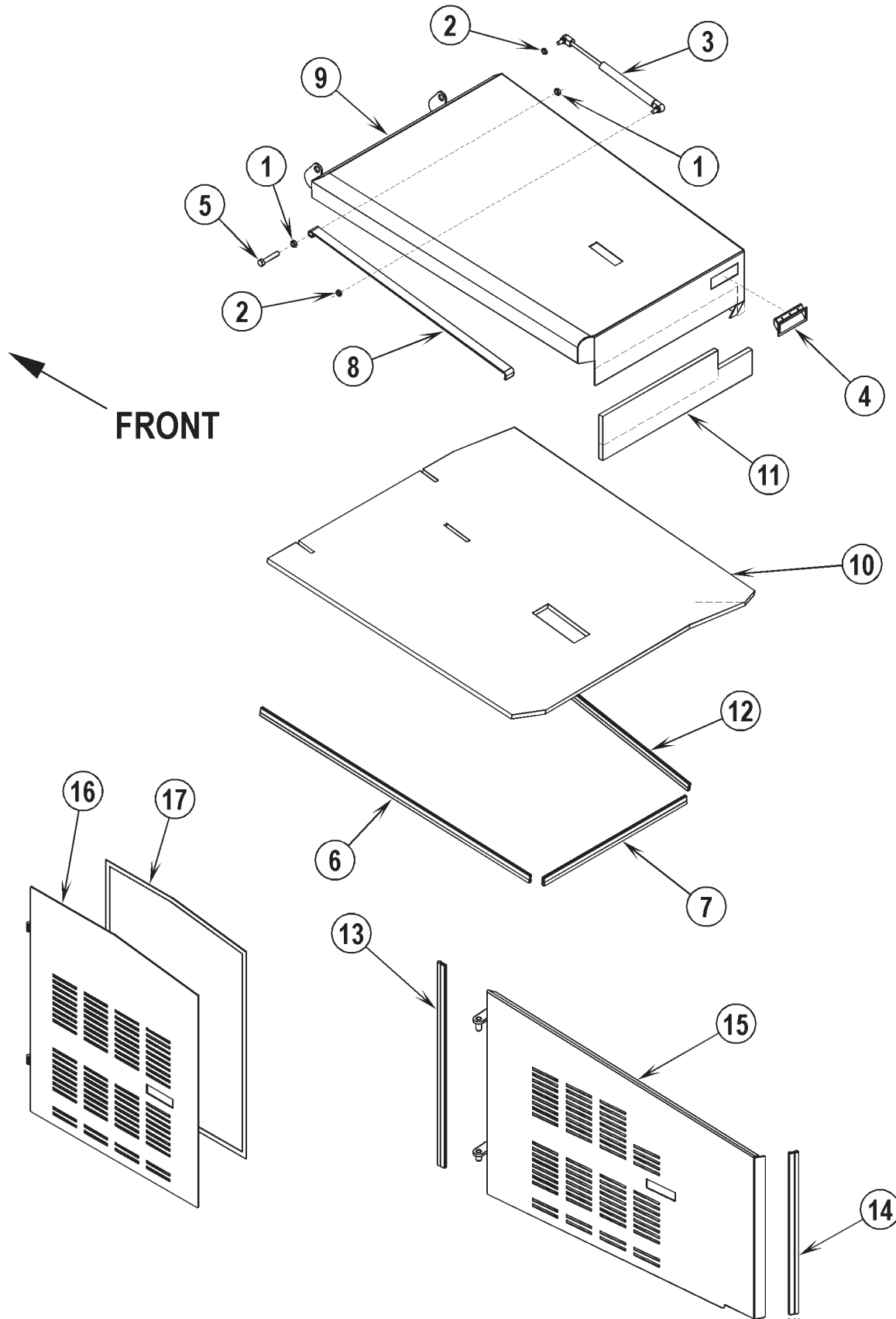
Item	Ref. No.	Qty	Description	OPTIONS AND ACCESSORIES
1	56002708	5	Nut, Hex Nyl Loc 1/4-20	56418569 Overhead Guard Kit
2	56002769	4	Nut, Hex Nyl Loc 3/8-16	56418814 Wearpak Kit
3	56003266	4	Ring, Ret Ext Type E 0.75 Dia.	56418421 Back Up Alarm Kit
4	56366013	4	Bushing .37 x .62 x .18	56418767 Beacon Kit
5	56402940	2	Bumper	56418390 Turn Signal Kit
6	56409335	2	Bumper	56418832 Cushion Tire Kit (3 tires and lug nuts)
7	56409336	2	Pin	56419400 Single Tire Kit, Cushion (similar to above 1 tire)
8	56416516	1	Grommet	56419329 Cushion Tire Kit, Non-Marking (3 tires and lug nuts)
9	56416593	1	Plug Button 1.00	56419402 Single Tire Kit, Non Marking (similar to above 1 tire)
10	56416668	1	Bumper, Self-Adhesive	56419401 Single Tire Kit, Pneumatic (1 tire and lug nuts)
11	56418015	1	Chassis Weldment	56418369 Gauge Kit
12	56418064	1	Right Door Assy (see Chassis System – 2)	56418834 Shaker Timer Kit
13	56418195	1	Left Door Assy (see Chassis System – 2)	56418799 Blower Wand Kit
14	56418198	5	Grommet	56418406 Vacuum Switch Kit
15	56418413	1	Cover, Access	56418420 Temperature Switch Kit
16	56418471	6	Door Latch (6250)	56419233 Enclosed Cab Kit
	56455979	6	Lockable Door Latch (SR 1800H)	56419213 Cab Blower Kit
17	56418498	1	Seat Plate Assy (see Chassis System – 2)	56419243 Alternator Kit (for petrol and LPG models)
18	56418583	1	Tower Door Assy (see Chassis System – 3)	(should be ordered when installing Cab Kit).
19	56418592	1	Hinge Assy	56460061 Left Armrest Kit
20	56418696	1	Insulation, Tower Rear (petrol & LPG)	56419301 Stiff Engine Mount Kit
	56419129	1	Foam, Tower Wall (diesel)	56419361 Soft Engine Mount Kit
21	56418706	1	Lift Link Weldment	56419304 4 Tube Radiator T. U. Kit (for petrol and LPG)
22	56418831	1	Gasket, Seat Plate	56419358 Dump Door Shield Kit
23	56001939	11	Wsh, Flt SAE 5/16	56419348 Interlock Switch Kit
24	56002035	8	Scr, Hex Hd 5/16-18 x .62	
25	56002063	4	Wsh, Flt SAE 3/8	
26	56002098	6	Wsh, Flt SAE 1/4	
27	56002663	2	Scr, Hex Hd 3/8-16 x 1.00	
28	56002667	3	Scr, Hex Hd 5/16-18 x .75	
29	56002760	8	Scr, Flt Phil 1/4-20 x .62	
30	56003648	4	Scr, Pan Phil 10-24 x 2.75	
31	56009019	2	Scr, Hex Thd Form 1/4-20 x .38	
32	56009033	3	Scr, Hex Thd Form 1/4-20 x .50	
33	56009062	4	Scr, Pan Phil Thd Form 1/4-20 x .50	
34	56009182	6	Scr, Hex Thd Form 1/4-20 1.00	
35	56009213	2	Wsh, Flt .392 x 1.00 x .075	
36	56009248	7	Scr, Pan Phil Thd Form-Blk 1/4-20 x .75	
37	56153126	1	Plug, Cap	
38	56419032	1	Tray, Battery	
39	56419126	2	Blade	
40	56419127	2	Strap	
41	56419183	3	Plug, Cap	
42	56419308	1	Blade, Dump Door Shield	
43	56419309	1	Strap, Dump Door Shield	
44	56419331	1	Deflector, Prop Rod	
45	56419356	2	Taillight Cover Weldment	
46	56419529	1	Side Door Assy (petrol & LPG) (see Chassis System – 3)	
	56419103	1	Side Door Assy (diesel) (see Chassis System – 3)	
47	56419532	1	Hood Assy (petrol & LPG) (see Chassis System – 3)	
	56419094	1	Hood Assy (diesel) (see Chassis System – 3)	
48	56419557	1	Stop, Oil Cooler (petrol & LPG)	
	56419113	1	Stop, Oil Cooler (diesel)	
49	56001967	4	Scr, Hex Hd 1/4-20 x 1.75	
50	56321532	4	Bushing	
51	56002840	4	Nut, Hex Nyl Loc-Thin 1/4-20	



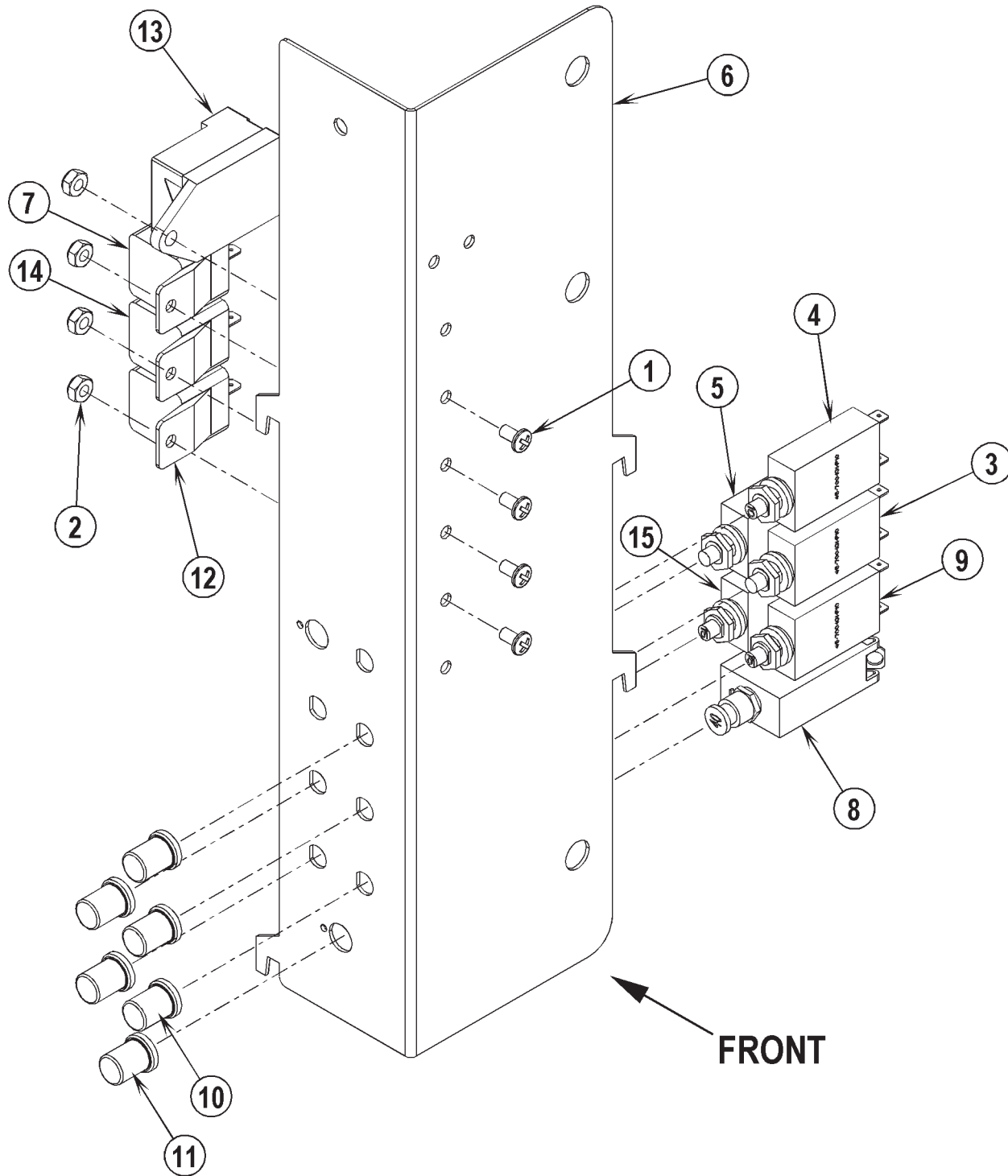


Item	Ref. No.	Qty	Description
	56418064	1	Right Door Assy ( <b>items 1-8</b> )
1	56002840	6	Nut, Hex Nyl Loc-Thin 1/4-20
2	56418065	1	Right Door Weldt
3	56418070	1	Skirt, Right Door
4	56418193	1	Strap, Right Door
5	56418475	1	Gasket, Strip
6	56418703	1	Gasket, Strip
7	56002155	6	Scr, Hex Hd 1/4-20 x .75
8	56009002	1	Wsh, Flt .266 x .906 x .060
	56418195	1	Left Door Assy ( <b>items 9-14</b> )
9	56002708	4	Nut, Hex Nyl Loc 1/4-20
10	56418196	1	Left Door Weldt
11	56418469	2	Skirt, Left Door
12	56418470	1	Strap, Left Door
13	56001878	4	Scr, Hex Hd 1/4-20 x 1.25
14	56002098	6	Wsh, Flt SAE 1/4
	56418498	1	Seat Plate Assy ( <b>items 15-20</b> )
15	56002701	4	Nut, Hex Nyl Loc 5/16-18
16	56418495	1	Seat Panel Weldt
17	56418788	2	Insulation, Seat Plate
18	56001939	4	Wsh, Flt SAE 5/16
19	56003118	4	Scr, Soc Hd 5/16-18 x 0.62
20	56460045	1	Seat Assy
	56460083	1	Right Armrest Kit
**	56460061	1	Left Armrest Kit

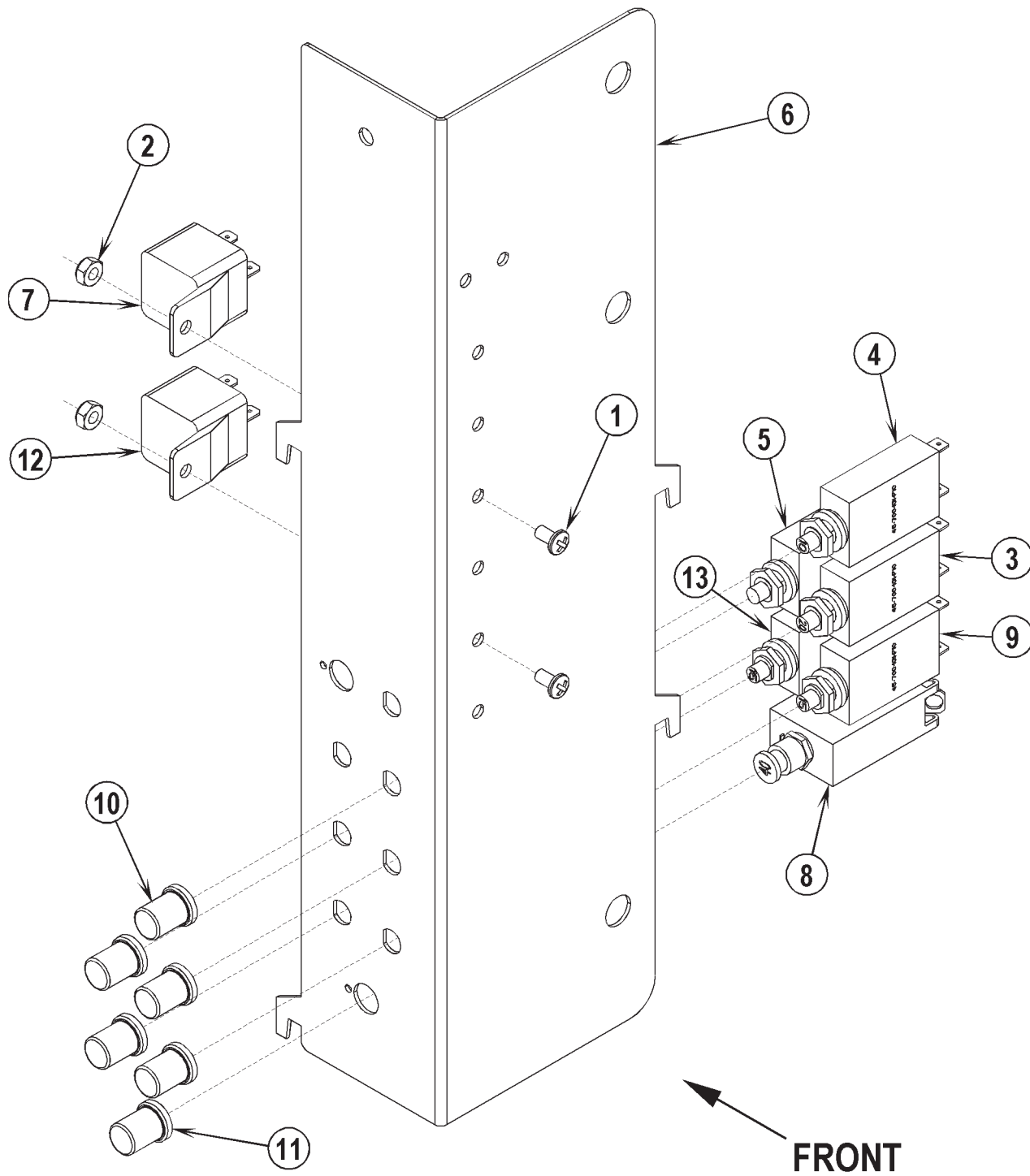
\*\* = Optional



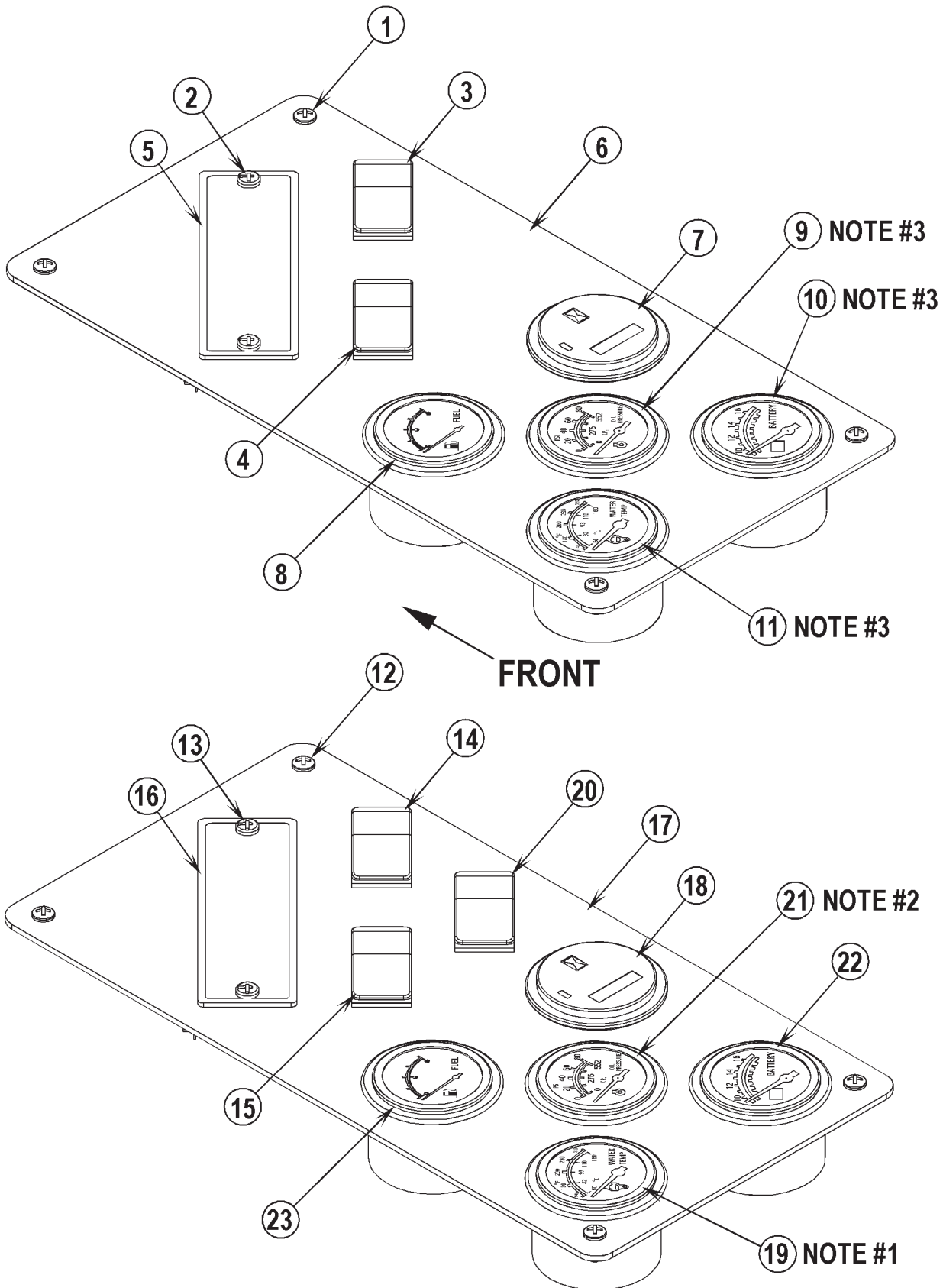
Item	Ref. No.	Qty	Description
	56419532	1	Hood Assy ( <b>petrol &amp; LPG</b> ) (items 1-12)
	56419094	1	Hood Assy ( <b>diesel</b> ) (items 1-12)
1	56009085	2	Nut, Hex Jam 3/8-16
2	56009086	2	Nut, Hex Jam 5/16-18
3	56385238	1	Gas Cylinder
4	56416455	1	Pull, Pocket
5	56002091	1	Scr, Hex Hd 3/8-16 x 2.00
6	56419097	1	Trim Seal
7	56419143	1	Trim Seal ( <b>petrol &amp; LPG</b> )
	56419096	1	Trim Seal ( <b>diesel</b> )
8	56419179	1	Prop, Oil Cooler
9	56419533	1	Hood Weldment ( <b>petrol &amp; LPG</b> )
	56419111	1	Hood Weldment ( <b>diesel</b> )
10	56419536	1	Insulation, Hood ( <b>petrol &amp; LPG</b> )
	56419099	1	Insulation, Hood ( <b>diesel</b> )
11	56419566	1	Insulation, Hood ( <b>petrol &amp; LPG</b> )
	56419100	1	Insulation, Hood ( <b>diesel</b> )
12	56419097	1	Trim Seal ( <b>petrol &amp; LPG</b> )
	56419122	1	Trim Seal ( <b>diesel</b> )
	56419529	1	Side Door Assy ( <b>petrol &amp; LPG</b> ) (items 13-15)
	56419103	1	Side Door Assy ( <b>diesel</b> ) (items 13-15)
13	56418699	1	Trim Seal
14	56419098	1	Trim Seal
15	56419530	1	Side Door Weldment ( <b>petrol &amp; LPG</b> )
	56419046	1	Side Door Weldment ( <b>diesel</b> )
	56418583	1	Tower Door Assy (items 16-17)
16	56418584	1	Left Door Weldment
17	56418875	1	Gasket, Tower Door



Item	Ref. No.	Qty	Description
	56419114	1	Circuit Breaker Assy ( <b>diesel</b> )
1	56002043	4	Scr, Pan Phil 10-24 x .38
2	56002832	4	Nut, Hex Nyl Loc-Thin 10-24
3	56395454	1	Circuit Breaker, 20 Amp ( <b>Headlights, Tail Lights / F4</b> )
4	56387316	1	Circuit Breaker, 10 Amp ( <b>Horn / F6</b> )
5	56168444	1	Circuit Breaker, 8 Amp ( <b>Shaker Motor / F5</b> )
6	56418173	1	Panel, Circuit Breaker
7	56418387	1	Relay, SPDT ( <b>Hopper Door / K6</b> )
8	56452193	1	Circuit Breaker, 40 Amp ( <b>Main / F1</b> )
9	56387316	1	Circuit Breaker, 10 Amp ( <b>Accessory Circuit / F2</b> )
10	56459367	5	Boot, Reset Button
11	56459368	1	Boot, Reset Button
12	56491862	1	Relay ( <b>Shaker Motor / K2</b> )
13	56463590	1	Glow Plug Timer ( <b>E3</b> )
14	56491862	1	Relay ( <b>Accessories / K3</b> )
15	56454538	1	Circuit Breaker, 15 Amp ( <b>Accessory Circuit / F3</b> )



Item	Ref. No.	Qty	Description
	56418388	1	Circuit Breaker Assy ( <b>petrol &amp; LPG</b> )
1	56002043	2	Scr, Pan Phil 10-24 x .38
2	56002832	2	Nut, Hex Nyl Loc-Thin 10-24
3	56168444	1	Circuit Breaker, 8 Amp ( <b>Shaker Motor / F5</b> )
4	56387316	1	Circuit Breaker, 10 Amp ( <b>Horn / F6</b> )
5	56395454	1	Circuit Breaker, 20 Amp ( <b>Head Lights / Tail Lights / F4</b> )
6	56418173	1	Panel, Circuit Breaker
7	56418387	1	Relay, Hopper Door / K6
8	56452193	1	Circuit Breaker, 40 Amp ( <b>Main / F1</b> )
9	56454538	1	Circuit Breaker, 15 Amp ( <b>Ignition Circuit / F2</b> )
10	56459367	5	Boot, Reset Button
11	56459368	1	Boot, Reset Button
12	56491862	1	Relay, Shaker Motor / K2
13	56454538	1	Circuit Breaker, 15 Amp ( <b>Accessory Circuit 1 / F3</b> )





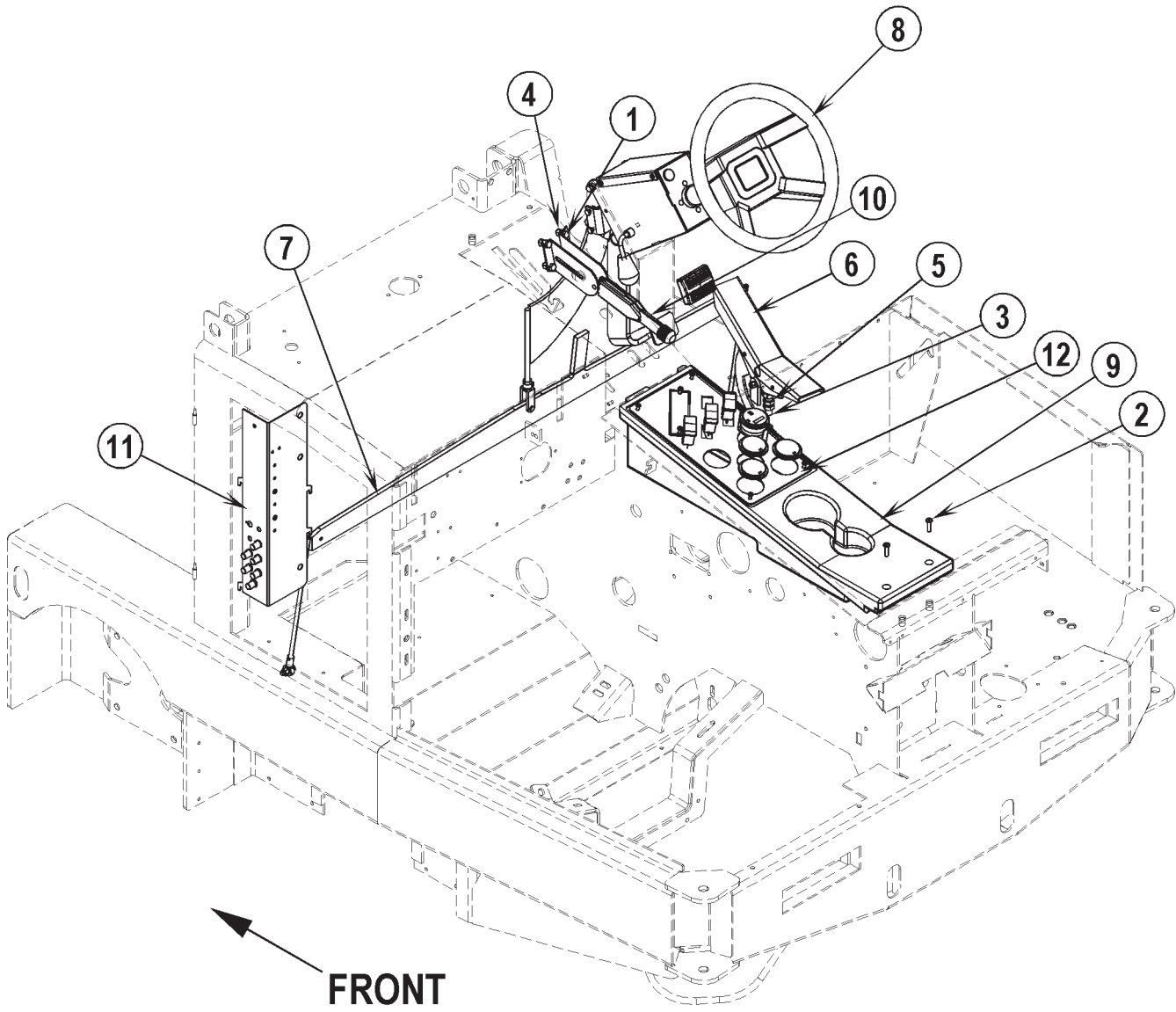
03-12	<b>CONTROL PANEL ASSEMBLY</b>	<b>BOOK F</b>		
05-2	<b>Retriever™ 6250 / SR 1800H</b>	<b>F</b>	<b>10.3.1</b>	<b>15</b>

Item	Ref. No.	Qty	Description
	56419115	1	Control Panel Assy ( <b>diesel</b> ) (#1-8)
1	56002831	4	Scr, Pan Phil Blk 10-24 x .50
2	56009082	2	Scr, Pan Phil Thd Form-Blk 10-24 x .50
3	56324272	1	Switch, Rocker ( <b>Shaker Motor, Dust Control / S7</b> )
4	56393312	1	Switch, Rocker ( <b>Headlights / S8</b> )
5	56418412	1	Light Display, 10 Bulb
6	56418662	1	Control Panel
7	56478363	1	Meter, Hour
8	56489598	1	Gauge, Fuel Level
9	56489592	1	Gauge, Oil Pressure <b>NOTE #3</b>
10	56482044	1	Meter, Volt <b>NOTE #3</b>
11	56489600	1	Gauge, Temperature <b>NOTE #3</b>
	56419586	1	Control Panel Assy ( <b>petrol &amp; LPG</b> ) (#12-22)
12	56002831	4	Scr, Pan Phil Blk 10-24 x .50
13	56009082	2	Scr, Pan Phil Thd Form-Blk 10-24 x .50
14	56324272	1	Switch, Rocker ( <b>Shaker Motor, Dust Control / S7</b> )
15	56393312	1	Switch, Rocker ( <b>Headlights / S8</b> )
16	56418412	1	Light Display, 10 Bulb
17	56418662	1	Control Panel
18	56478363	1	Meter, Hour
19	56489600	1	Gauge, Temperature before <b>TSBUS2005-877 NOTE #1</b>
	56489592	1	Gauge, Oil Pressure <b>NOTE #1</b>
20	56455820	1	Switch, Rocker ( <b>Engine Speed / S3</b> )
21	56489592	1	Gauge, Oil Pressure <b>NOTE #2</b>
	56419649	1	Gauge, Temperature after <b>TSBUS2005-877 NOTE #2</b>
22	56482044	1	Meter, Volt
23	56489598	1	Gauge, Fuel Level ( <b>petrol</b> )

**NOTE #1:** The Coolant Temp Gauge(56489600) is installed in this location before **TSBUS2005-877**. The Oil Pressure Gauge(56489592) is installed in this location after **TSBUS2005-877**.

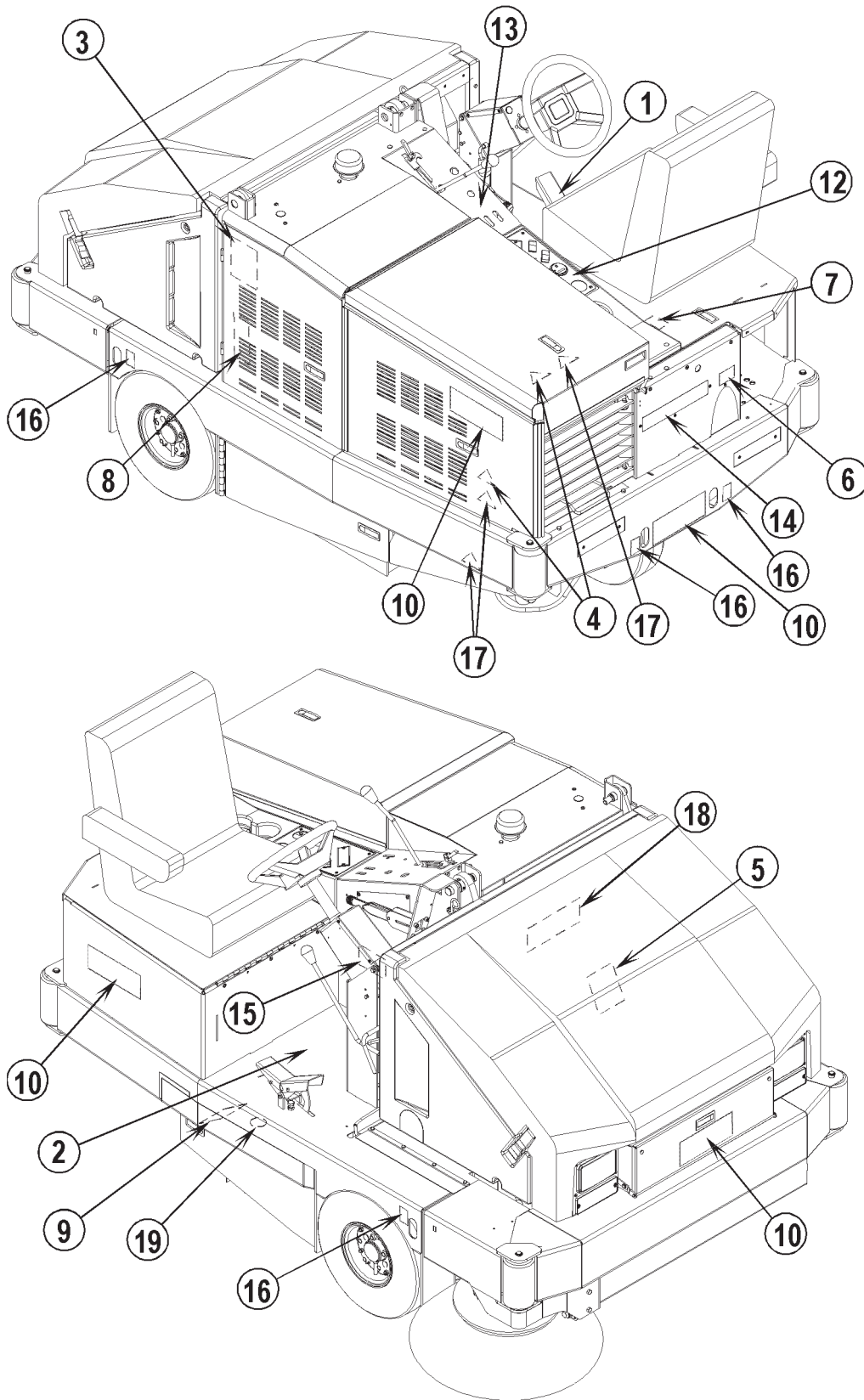
**NOTE #2:** The Oil Pressure Gauge(56489592) is installed in this location before **TSBUS2005-877**. The Coolant Temp Gauge (56419649) is installed in this location after **TSBUS2005-877**.

**NOTE #3:** The Oil Pressure, Volt & Temperature Gauges are not included in Control Panel Assembly 56419115 but are factory installed via Gauge Kit 56418369.



Item	Ref. No.	Qty	Description
1	56002037	4	Scr, Hex Hd 5/16-18 x .88
2	56002292	2	Scr, Pan Phil 1/4-20 x 1.00
3	56002668	2	Scr, Hex Thd To Hd 1/2-13 x 1.75
4	56002701	4	Nut, Hex Nyl Loc 5/16-18
5	56009016	4	Nut, Hex Jam 1/2-13
6	56418113	1	Throttle Pedal Assy ( <b>see Throttle Pedal Assembly</b> )
7	56418138	1	Brake Lever Assy ( <b>see Brake Lever Assembly</b> )
8	56418377	1	Tilt Steering Assy ( <b>see Tilt Steering Assembly</b> )
9	56418717	1	Console, Finished
10	56448200	1	Lever, Brake Assy
11	56419114	1	Circuit Breaker Assy ( <b>diesel</b> ) ( <b>see Circuit Breaker Assembly (diesel)</b> )
	56418388	1	Circuit Breaker Assy ( <b>petrol &amp; LPG</b> ) ( <b>see Circuit Breaker Assembly (petrol &amp; LPG)</b> )
12	56419115	1	Control Panel Assy ( <b>diesel</b> ) ( <b>see Control Panel Assembly</b> )
	56418985	1	Harness, Control Panel
	56418369	1	Gauge Kit <b>See items 9-11 on page 15</b>
	56419586	1	Control Panel Assy ( <b>petrol &amp; LPG</b> ) TSBUS2005-877 ( <b>see Control Panel Assembly</b> )
*	56419573	1	Harness, Control Panel before TSBUS2005-877
*	56419651	1	Harness, Control Panel after TSBUS2005-877

\* = Not Shown



03-12

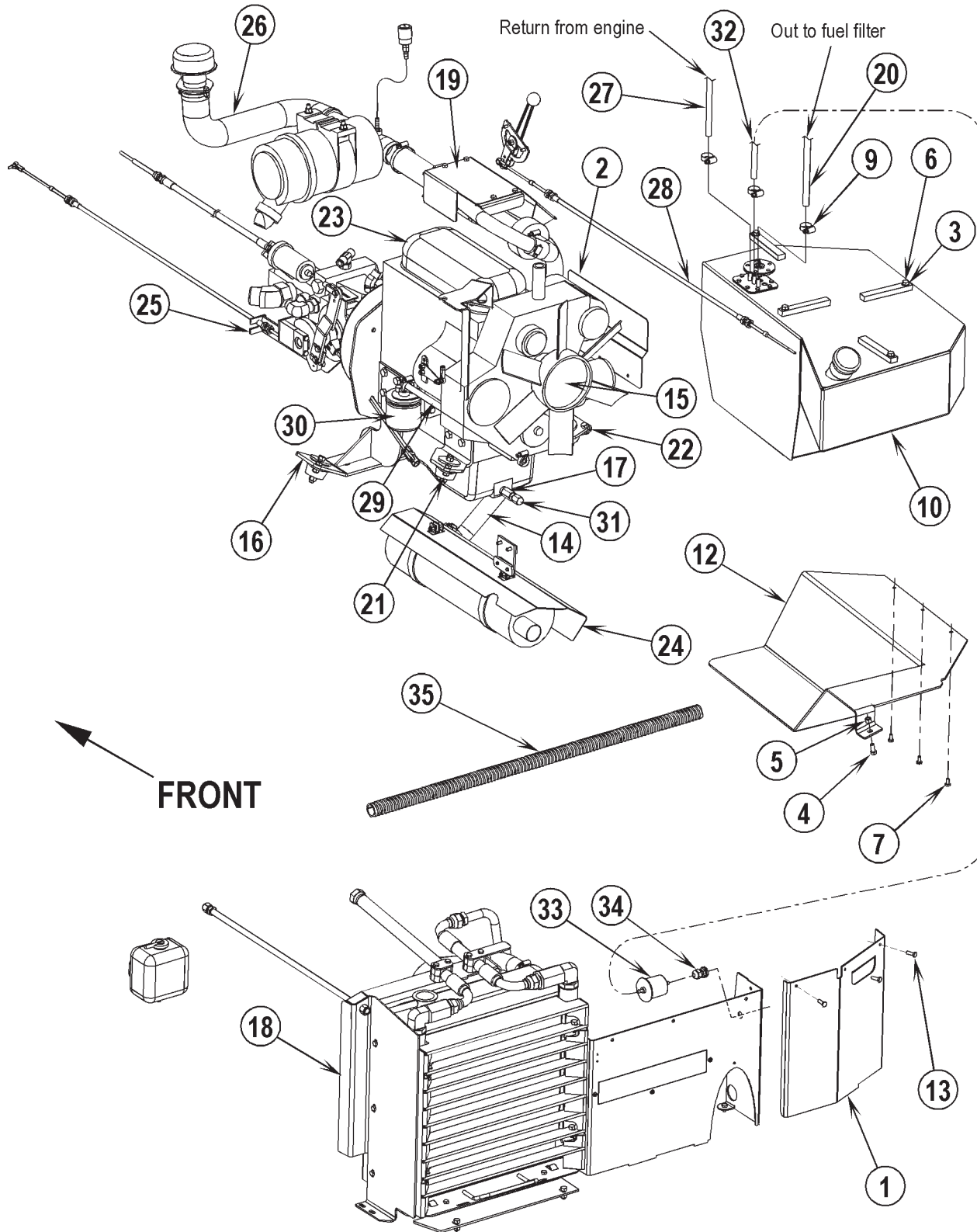
**DECAL SYSTEM****BOOK F**

04-11

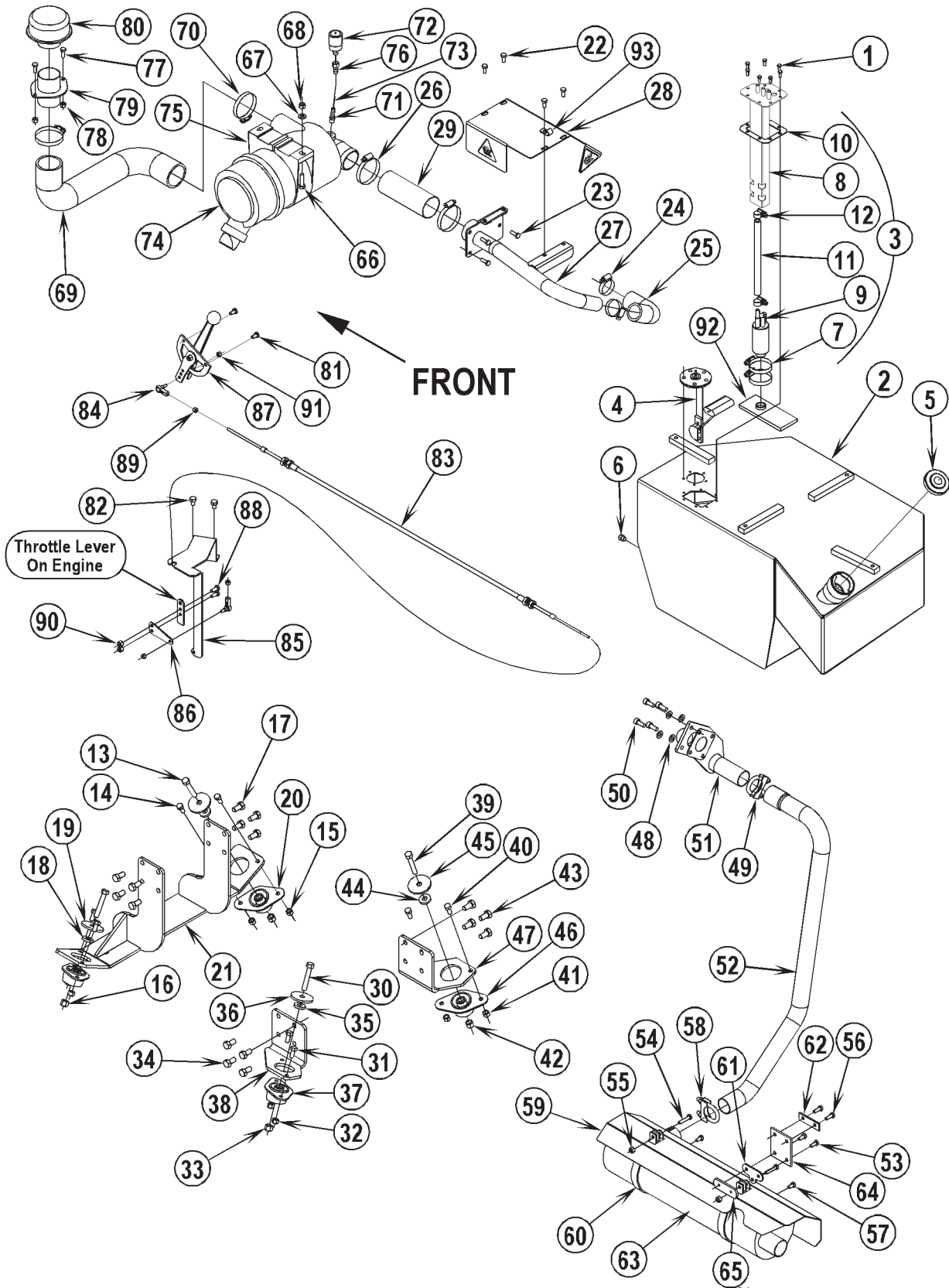
**Retriever™ 6250 / SR 1800H****F****10.3.1****19**

Item	Ref. No.	Qty	Description
1	56449958	1	Mat, Pedal
2	56418603	1	Mat, Floor
3	56015424	1	Decal, Warning Hydraulic
4	56016364	2	Decal, Warning Fan
5	56015426	1	Decal, Warning Fan
6	56025454	1	Decal, Diesel Fuel <b>(diesel)</b>
	56016226	1	Decal, Unleaded Fuel <b>(petrol)</b>
7	56016259	1	Decal, Oil Fill
8	56016520	1	Decal, Circuit Breaker <b>(diesel)</b>
	56016258	1	Decal, Circuit Breaker <b>(petrol &amp; LPG)</b>
9	56015425	1	Decal, Warning Broom
10	56016366	3	Decal, SR 1800
	56016327	4	Decal, 6250
11	56016253	1	Decal, Wear Items 6250 <b>(6250 only)</b>
12	56016537	1	Decal, Control Rear <b>(diesel)</b>
	56016252	1	Decal, Control Rear <b>(petrol &amp; LPG)</b>
13	56016538	1	Decal, Control Front <b>(diesel)</b>
	56016251	1	Decal, Control Front <b>(petrol &amp; LPG)</b>
14	56016097	1	Decal, Reflective <b>(inside tail light)</b>
15	56015427	1	Decal, Warning Tip Over
16	56015370	4	Decal, Tie Down
17	56016363	6	Decal, Warning Hot <b>(qty of 3 on petrol &amp; LPG)</b>
18	56015428	1	Decal, Warning Hopper
19	56016163	1	Decal, No Step

\* = Not Shown



Item	Ref. No.	Qty	Description	Item	Ref. No.	Qty	Description
1	56419302	1	Panel, Rear	*	56463590	1	Glow Plug Timer
2	56419257	1	Heat Shield	*	56419085	1	Alternator
3	56001939	4	Wsh, Flt SAE 5/16	*	56419086	1	Fuel Filter Cartridge
4	56002667	1	Scr, Hex Hd 5/16-18 x .75	*	56482659	1	Engine Oil Filter
5	56002701	1	Nut, Hex Nyl Loc 5/16-18	*	56419084	1	Alternator Belt
6	56002929	4	Scr, Hex Hd Loc 5/16-18 x .62	*	56419087	1	Fan Belt
7	56009033	3	Scr, Hex Thd Form 1/4-20 x .50	*	56419088	1	Thermostat
8			<b>Intentionally Omitted</b>	*	56419089	1	Starter Motor
9	56219932	7	Clamp, Hose SAE #6	*	56419090	1	Switch, Engine Oil Pressure
10	56418508	1	Fuel Tank Assy <b>Note 2</b>	*	56419091	1	Switch, Temperature
11			<b>Intentionally Omitted</b>	*	56419446	1	Solenoid Replacement Kit
12	56418850	1	Fuel Tank Guard Weld't.	*	56419107	1	Exhaust Gasket
13	56009018	3	Scr, Hex Thd Form 1/4-20 x .75	*	56497754	1	Key Switch Assembly
14	56419169	1	Exhaust Pipe Assembly <b>Note 2</b>	**	56419301	1	Stiff Engine Mount Kit
15	56418718	1	Fan	**	56419361	1	Soft Engine Mount Kit
*	56418928	1	Fan Spacer				
*	56003368	4	Scr, Soc Hd M6-1.00 x 20mm	*			* = Not Shown
*	56001836	4	Scr, Hex Hd 1/4-20 x .62	**			** = Optional
16	56418933	1	Rear Engine Mount Assy (before SN 1703363) <b>Note 2</b>				<b>Note 1:</b> Item 35 Conduit goes over item 20 Fuel Line.
	56419594	1	Rear Engine Mount Assy (after SN 1703362) <b>Note 2</b>				<b>Note 2:</b> See "Diesel Engine System Components".
17	56418938	1	Fitting, Adapter				
18	56418962	1	Assembly, Radiator (See Diesel Radiator Assembly)				
19	56419004	1	Air Tube Assembly <b>Note 2</b>				
20	56419035	1	Hose, Fuel Line				
21	56419050	1	Right Engine Mount Assy (before SN 1703363) <b>Note 2</b>				
	56419595	1	Right Engine Mount Assy (after SN 1703362) <b>Note 2</b>				
22	56419051	1	Left Engine Mount Assy (before SN 1703363) <b>Note 2</b>				
	56419596	1	Left Engine Mount Assy (after SN 1703362) <b>Note 2</b>				
23	56419052	1	Engine, Diesel				
24	56419056	1	Muffler Assembly <b>Note 2</b>				
25	56418783	1	Linkage Assembly (See Linkage Assembly)				
26	56419058	1	Air Cleaner Assembly <b>Note 2</b>				
27	56419059	1	Hose, Fuel Line				
28	56419082	1	Throttle Cable Assembly				
29	56492259	1	Hose, Fuel Line				
30	56419054	1	Fuel Filter Kit				
*	56419211	1	Bracket, Fuel Filter				
31	56900917	1	Cap, Flare Tube End				
*	56900003	1	Connector, O-Ring				
32	56481684	1	Hose, Fuel Line (SR 1800 after SN 1451898 (TSBUS 2001-734)), (all Retriever 6250)				
33	56492885	1	Fuel Filter Kit 1/4 (SR 1800 after SN 1451898 (TSBUS 2001-734)), (all Retriever 6250)				
34	56323067	1	Strain Relief (SR 1800 after SN 1451898 (TSBUS 2001-734)), (all Retriever 6250)				
35	56418835	1	Conduit <b>Note 1</b>				



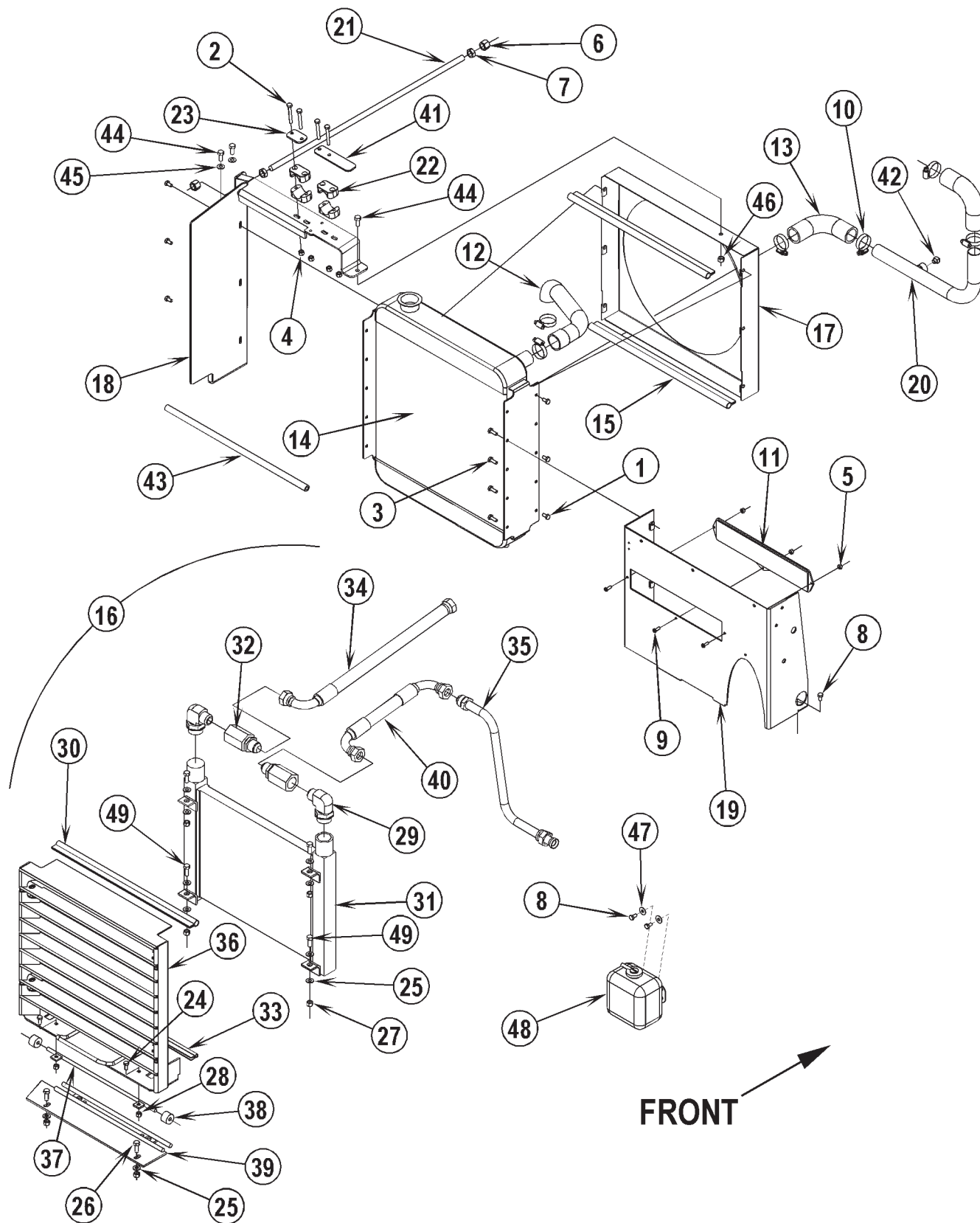


Item	Ref. No.	Qty	Description	Item	Ref. No.	Qty	Description
	56418508	1	Fuel Tank Assembly (#1-12, 92)	46	56419300	1	Mount, Isolator, Stiff
1	56009039	7	Scr, Hex Thd Form 10-24 x .50		56418099	1	Mount, Isolator
2	56418185	1	Fuel Tank Weldment	47	56418927	1	Bracket, Engine Left (Note 1)
3	56418794	1	Fuel Pump Assy (#7-12, 92)		56419593	1	Bracket, Engine Left (Note 2)
4	56478358	1	Sender, Fuel Level		56419169	1	Exhaust Pipe Assembly (#48-52)
5	56478502	1	Cap, Fuel Tank (only on SR 1800 before SN 1451899) (TSB 734, SR 1800 only)	48	56001939	4	Wsh, Fit SAE 5/16
	56419318	1	Cap, Non-Vented (SR 1800 after SN 1451898 & all 6250) (TSB 734, SR 1800 only)	49	56343236	1	Clamp, Muffler
6	56481546	1	Plug, Hex pipe	50	56003619	4	Scr, Soc Hd M8-1.25 x 20mm
7	56329145	2	Clamp, Hose SAE #24	51	56419170	1	Exhaust Pipe Weldment
8	56418789	1	Fuel Pump Bracket Weld't.	*	56419107	1	Exhaust Gasket for 56419170
9	56418793	1	Fuel Pump	52	56419173	1	Exhaust Pipe Weldment
10	56418795	1	Gasket		56419056	1	Muffler Assembly (#53-65)
11	56419644	1	Hose, Fuel Line	53	56001836	2	Scr, Hex Hd 1/4-20 x .62
12	56756364	3	Clamp, Hose SAE #4	54	56001878	2	Scr, Hex Hd 1/4-20 x 1.25
*	56418796	1	Wire Assy	55	56002708	2	Nut, Hex Nyl Loc 1/4-20
	56418933	1	Rear Engine Mount Assy (#13-21) (Note 1)	56	56009018	2	Scr, Hex Thd Form 1/4-20 x .75
	56419594	1	Rear Engine Mount Assy (#13-21) (Note 2)	57	56009033	2	Scr, Hex Thd Form 1/4-20 x .50
13	56002058	2	Scr, Hex Hd 3/8-16 x 2.25	58	56343236	1	Clamp, Muffler
14	56002667	4	Scr, Hex Hd 5/16-18 x .75	59	56418222	1	Shield, Heat
15	56002701	4	Nut, Hex Nyl Loc 5/16-18	60	56418225	2	Clamp Weld't.
16	56002769	2	Nut, Hex Nyl Loc 3/8-16	61	56418228	1	Plate, Muffler Hanging
17	56003185	8	Scr, Hex Thd To Hd M10-1.25 x 20mm	62	56418376	1	Strap, Right Broom Housing
18	56009106	2	Wsh, Flt .453 x 1.00 x .179	63	56419175	1	Muffler, Diesel
19	56009274	2	Wsh, Flt .438 x 2.00 x .164	64	56478726	1	Mount
20	56419300	2	Mount, Isolator, Stiff	65	56481468	1	Nut Plate
	56418099	2	Mount, Isolator		56419058	1	Air Cleaner Assembly (#66-80)
21	56418932	1	Weldment, Engine Mount (Note 1)	66	56001834	2	Scr, Hex Hd 5/16-18 x 1.25
	56419590	1	Weldment, Engine Mount (Note 2)	67	56001939	2	Wsh, Fit SAE 5/16
	56419004	1	Air Tube Assembly (#22-29, 93)	68	56002701	2	Nut, Hex Nyl Loc 5/16-18
22	56001836	4	Scr, Hex Hd 1/4-20 x .62	69	56418430	1	Hose, Flexible Air Inlet
23	56009018	3	Scr, Hex Thd Form 1/4-20 x .75	70	56440213	2	Clamp, Hose SAE #32
24	56131601	2	Clamp, Hose SAE #16	71	56477523	1	Barb, Adapter 5/16 x 18NPT
25	56418227	1	Hose, Lower Radiator	72	56478461	1	Indicator, Service
26	56440213	2	Clamp, Hose SAE #32	73	56492259	1	Hose, Fuel Line
27	56419000	1	Air Tube Weldment	74	56482478	1	Cleaner, Air
28	56419093	1	Heat Shield	*	56482028	1	Replacement Safety Filter
29	56419144	1	Hose, Flex	*	56482029	1	Replacement Primary Filter
	56419050	1	Right Engine Mount Assy (#30-38) (Note 1)	75	56482621	1	Band Assy
	56419595	1	Right Engine Mount Assy (#30-38) (Note 2)	76	56751300	1	Barb, Hose Female
30	56002058	1	Scr, Hex Hd 3/8-16 x 2.25		56419313	1	Inlet Hood Assembly (#77-80) (TSB 735, SR 1800 only)
31	56002667	2	Scr, Hex Hd 5/16-18 x .75	77	56002155	2	Scr, Hex Hd 1/4-20 x .75
32	56002701	2	Nut, Hex Nyl Loc 5/16-18	78	56002708	2	Nut, Hex Nyl Loc 1/4-20
33	56002769	1	Nut, Hex Nyl Loc 3/8-16	79	56419314	1	Flange Weldment
34	56003185	4	Scr, Hex Thd To Hd M10-1.25 x 20mm	80	56419312	1	Hood, Inlet
35	56009106	1	Wsh, Flt .453 x 1.00 x .179		56419082	1	Throttle Cable Assembly (#81-91)
36	56009274	1	Wsh, Flt .438 x 2.00 x .164	81	56003039	2	Scr, Hex Hd Loc 1/4-20 x .50
37	56419300	1	Mount, Isolator, Stiff	82	56003177	2	Scr, Hex M8-1.25 x 12mm
	56418099	1	Mount, Isolator	83	56418615	1	Cable, Push / Pull
38	56418926	1	Bracket, Engine Right (Note 1)	84	56488290	2	Rod End
	56419592	1	Bracket, Engine Right (Note 2)	85	56419030	1	Bracket, Throttle Cable
	56419051	1	Left Engine Mount Assy (#39-47) (Note 1)	86	56419031	1	Throttle Lever Extension
	56419596	1	Left Engine Mount Assy (#39-47) (Note 2)	87	56456328	1	Lever Assy
39	56002058	1	Scr, Hex Hd 3/8-16 x 2.25	88	56001836	2	Scr, Hex Hd 1/4-20 x .62
40	56002667	2	Scr, Hex Hd 5/16-18 x .75	89	56001987	2	Nut, Hex Machine 10-32
41	56002701	2	Nut, Hex Nyl Loc 5/16-18	90	56002708	2	Nut, Hex Nyl Loc 1/4-20
42	56002769	1	Nut, Hex Nyl Loc 3/8-16	91	56002873	2	Nut, Hex Nyl Loc 10-32
43	56003185	4	Scr, Hex Thd To Hd M10-1.25 x 20mm	92	56419307	1	Fuel Strainer
44	56009106	1	Wsh, Flt .453 x 1.00 x .179	93	56442011	1	Clamp, P
45	56009274	1	Wsh, Flt .438 x 2.00 x .164				

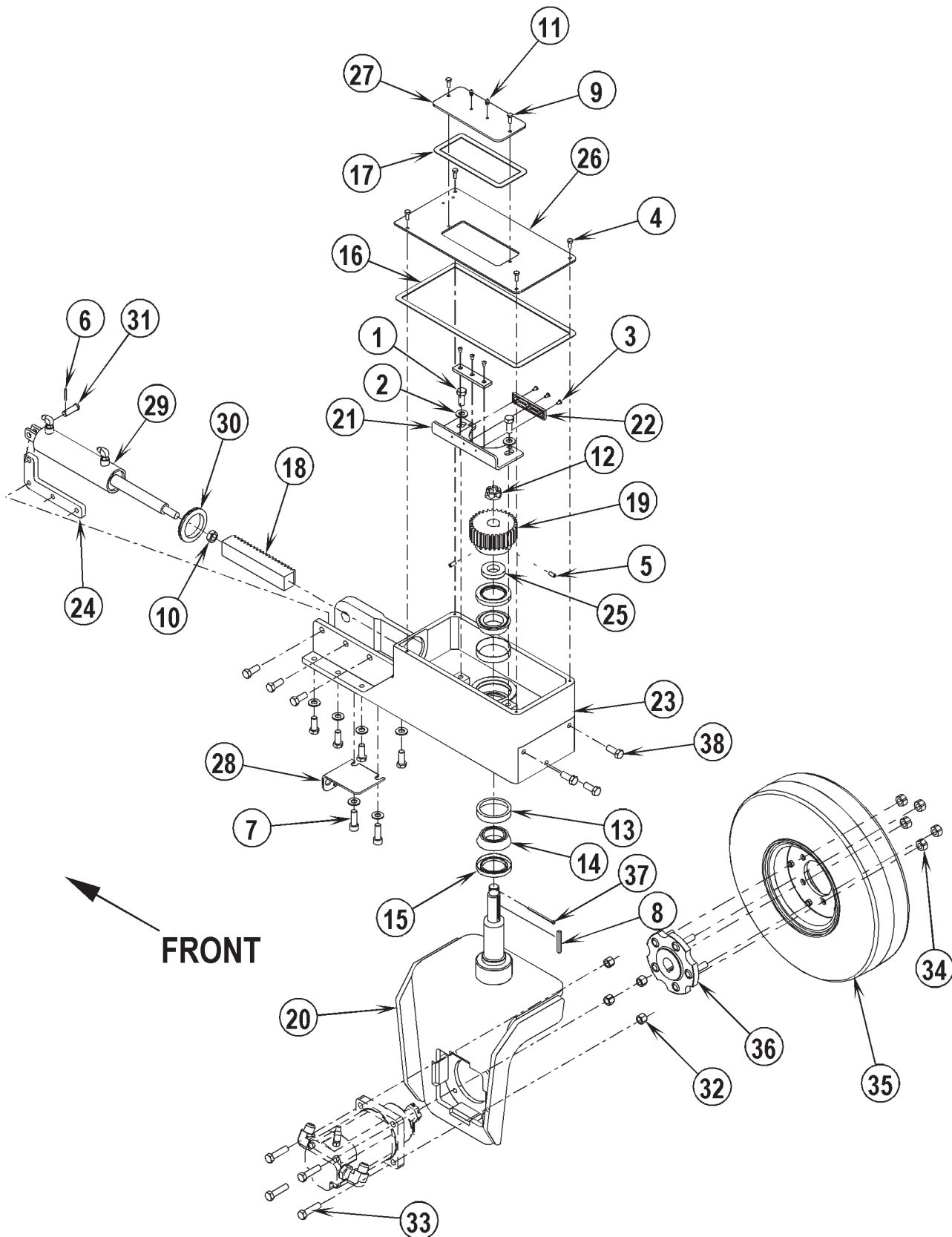
\* = Not Shown

Note 1: Used before SN 1703363

Note 2: Used after SN 1703362



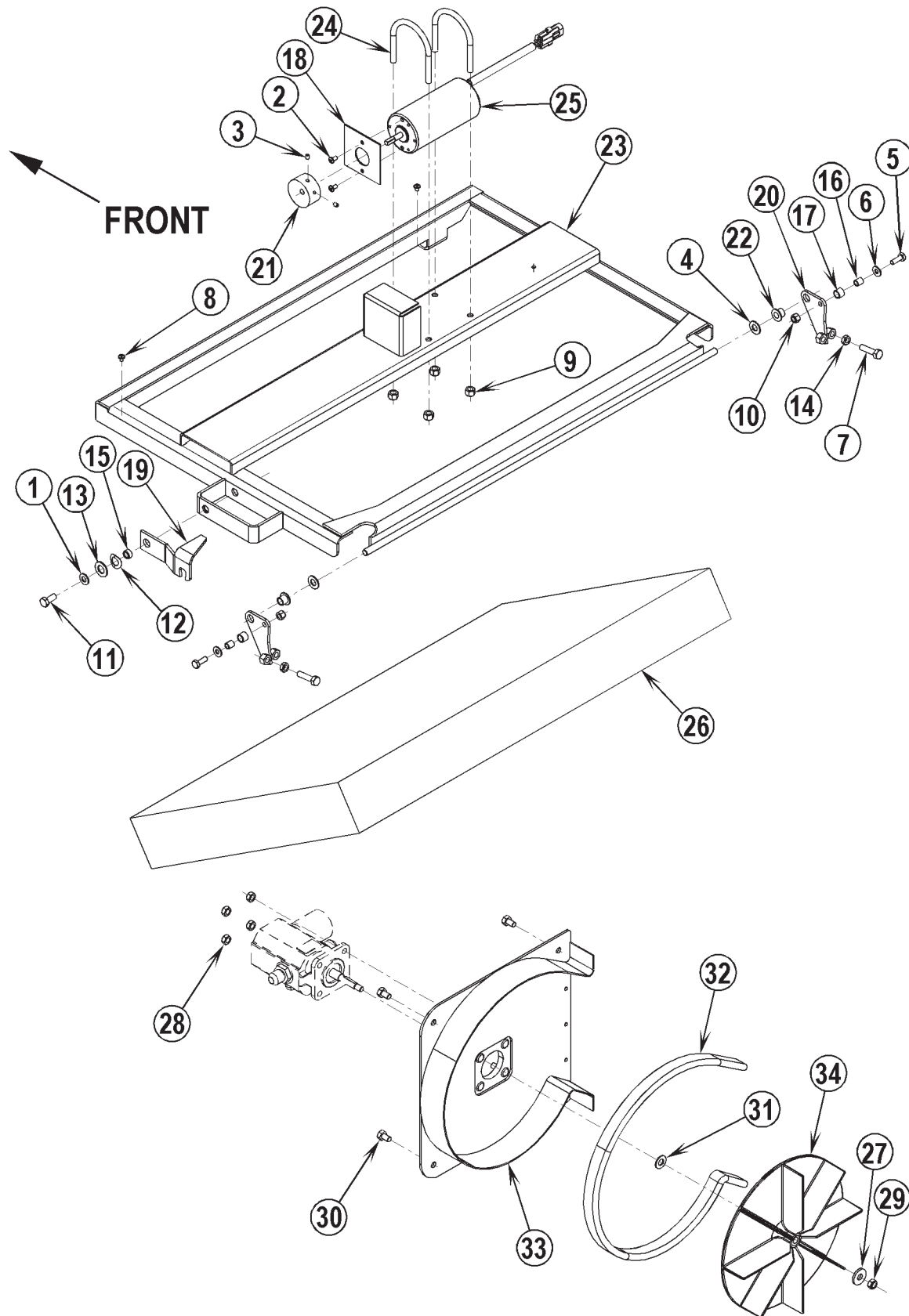
Item	Ref. No.	Qty	Description
	56418962	1	Radiator Assembly (#1-43)
1	56001854	6	Scr, Hex Hd 1/4-20 x .50
2	56001874	4	Scr, Hex Hd 1/4-20 x 2.00
3	56002155	4	Scr, Hex Hd 1/4-20 x .75
4	56002708	4	Nut, Hex Nyl Loc 1/4-20
5	56002768	3	Nut, Hex Nyl Loc 10-24
6	56002770	2	Nut, Hex Nyl Loc 1/2-13
7	56009016	2	Nut, Hex Jam 1/2-13
8	56009033	3	Scr, Hex Thd Form 1/4-20 x .50
9	56009100	3	Scr, Pan Phil Thd Form-Blk 10-24 x .62
10	56131601	6	Clamp, Hose SAE #16
11	56416418	1	Lens, Tail Light
12	56419290	1	Hose, Radiator
13	56418227	2	Hose, Lower Radiator
14	56305316	1	Radiator
15	56418605	2	Gasket, Bulb
16	56418952	1	Oil Cooler Assembly (#24-40 & 49)
17	56419282	1	Shroud Weldment
18	56419280	1	Weldment, Radiator Mount
19	56418961	1	Back Panel
20	56419403	1	Tube, Radiator Weldment
21	56419007	1	Stiffener
22	56419041	4	Clamp
23	56419042	1	Plate, Clamp
24	56001836	2	Scr, Hex Hd 1/4-20 x .62
25	56001939	10	Wsh, Flt SAE 5/16
26	56002037	2	Scr, Hex Hd 5/16-18 x .88
27	56002701	6	Nut, Hex Nyl Loc 5/16-18
28	56002708	2	Nut, Hex Nyl Loc 1/4-20
29	56900117	2	Elbow, 90 O-Ring
30	56418605	1	Gasket, Bulb
31	56418953	1	Coller, Oil
32	56418954	2	Swivel
33	56418955	1	Gasket
34	56418344	1	Hose Assembly
35	56419297	1	Tube Weldment D
36	56419008	1	Grill Weldment
37	56419016	1	Axle Weldment
38	56419036	2	Roller
39	56419524	1	Roller Stop Weldment
40	56419298	1	Hose Assembly
41	56419180	1	Prop Rest
42	56744580	1	Plug, NPT 3/8 Brass
43	56492259	1	Hose, Fuel Line
44	56002667	3	Scr, Hex Hd 5/16-18 x .75
45	56001939	2	Wsh, Flt SAE 5/16
46	56002701	1	Nut, Hex Nyl Loc 5/16-18
47	56009025	2	Wsh, Flt .266 x .750 x .036
48	56305267	1	Bottle, Overflow
49	56002221	4	Scr, Hex Hd 5/16-18 x 1.00



Item	Ref. No.	Qty	Description
	56419187	1	Steering Assy (#1-31 & 37)
1	56003083	2	Scr, Hex Hd Loc 1/2-13 x 1.00
2	56001879	8	Wsh, Flt SAE 1/2
3	56002043	6	Scr, Pan Phil 10-24 x .38
4	56002155	4	Scr, Hex Hd 1/4-20 x .75
5	56002186	2	Scr, Soc Set Loc 5/16-18 x .62
6	56002529	1	Pin, Cotter 1/8 x 1.00
7	56002972	2	Scr, Soc Hd 1/2-13 x 1.50
8	56003248	1	Key, Sq. .25 x 2.31
9	56009018	2	Scr, Hex Thd Form 1/4-20 x .75
10	56009099	1	Nut, Hex Jam 5/8-18
11	56101737	2	Fitting, Lube 1/4-28
12	56110817	1	Nut, Castle 7/8-14
13	56744474	2	Bearing, Cup
14	56744471	2	Bearing, Cone
15	56477783	2	Seal, Shaft
16	56200754	4'	Gasket, Strip
17	56200754	2'	Gasket, Strip
18	56418476	1	Rack
19	56418477	1	Gear, Spur
20	56419184	1	Spindle Weld't.
21	56418573	1	Angle, Adjuster
22	56418575	2	Plate, Wear
23	56419188	1	Casting, Steering
24	56418637	1	Bracket, Cylinder
25	56419189	1	Spacer, Gear
26	56418639	1	Cover Plate
27	56418754	1	Cover, Inspection
28	56418755	1	Bracket, Bulkhead
29	56418765	1	Steering Cylinder Assy
*	56418441	1	Cylinder, Hydraulic
*	56900101	2	Elbow, 90 O-Ring
30	56459362	1	Grommet
31	56486733	1	Pin
32	56002770	4	Nut, Hex Nyl Loc 1/2-13
33	56002983	4	Scr, Hex Hd 1/2-13 x 2.00
34	56009116	5	Nut, Lug (TSB 797, SR 1800 only)
35	56419374	1	Tire Assembly (TSB 797, SR 1800 only)
*	56419377	1	Rim, 8.00 x 3.75 (TSB 797, SR 1800 only)
*	56419376	1	Tire (TSB 797, SR 1800 only)
*	56419375	1	Tube (TSB 797, SR 1800 only)
**	56418361	1	Tire, Cushion
**	56419328	1	Tire, Non-Marking
**	56419456	1	Tire Assy Rear, Foam Fill
36	56419373	1	Hub Assy (TSB 775 / TSB 797, SR 1800 only)
**	56419436	1	6250 Hub Kit (items 34 & 36)
37	56002574	1	Pin, Cotter 5/32 x 3.00
38	56003022	10	Scr, Hex Hd Loc 1/2-13 x 1.25

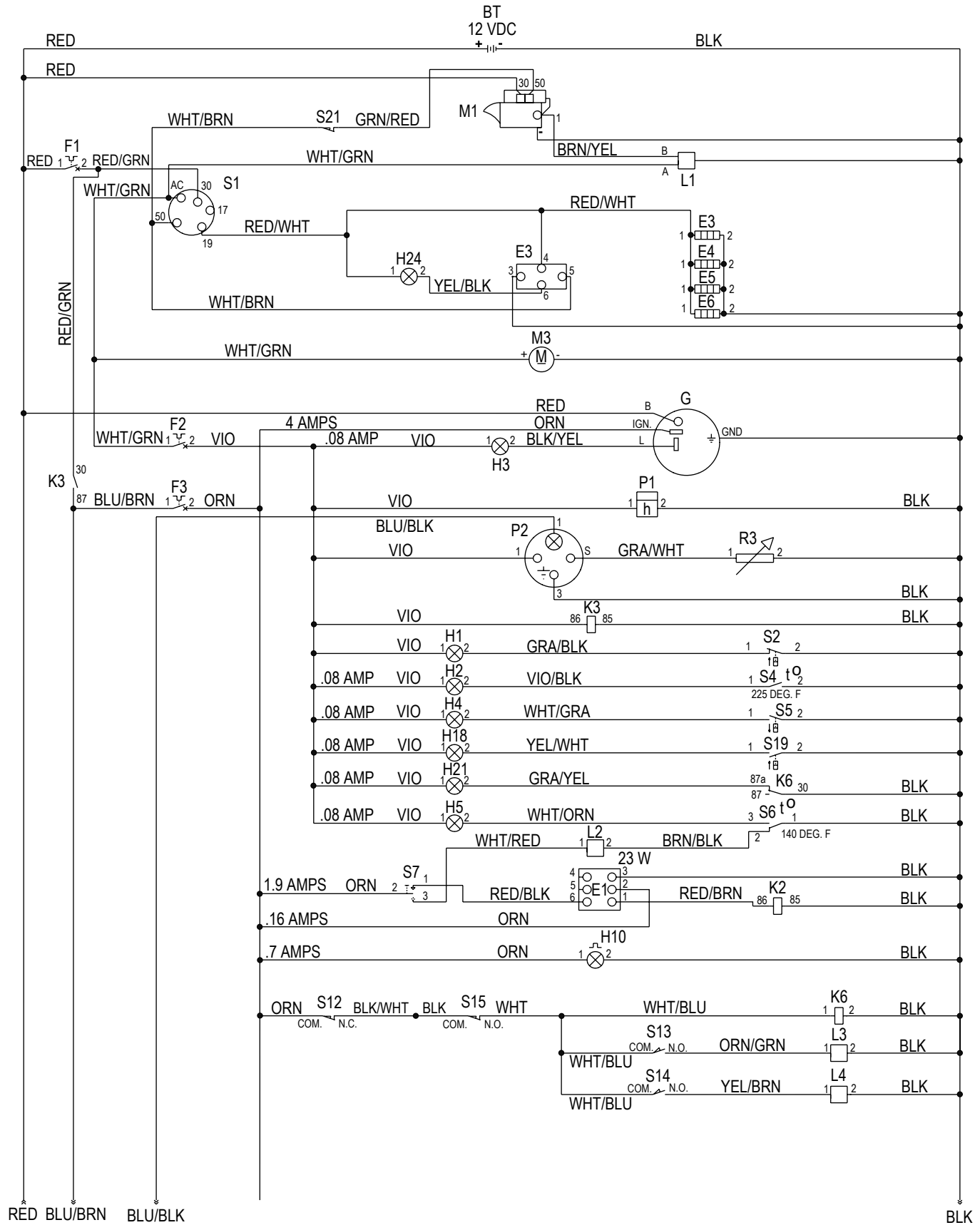
\* = Not Shown

\*\* = Optional



Item	Ref. No.	Qty	Description
	56418253	1	Shaker Assy (#1-25)
1	56001939	1	Wsh, Flt SAE 5/16
2	56002001	2	Scr, Pan Phil (UNF) 10-32 x .38
3	56002015	2	Scr, Soc Set loc 10-24 x .25
4	56002063	2	Wsh, Flt SAE 3/8
5	56002093	2	Scr, Hex Hd 1/4-20 x 1.00
6	56002098	2	Wsh, Flt SAE 1/4
7	56002187	2	Scr, Hex Thd To Hd 5/16-18 x 1.25
8	56002453	2	Scr, Pan Phil 10-24 x .25
9	56002701	4	Nut, Hex Nyl Loc 5/16-18
10	56002708	2	Nut, Hex Nyl Loc 1/4-20
11	56002956	1	Scr, Hex Hd Loc 5/16-18 x .75
12	56009001	1	Wsh, Bowed .516 x .906 x .008
13	56009003	1	Wsh, Flt .516 x .938 x .075
14	56009086	2	Nut, Hex Jam 5/16-18
15	56320595	1	Bushing .32 x .50 x .28
16	56321532	2	Bushing .25 x .37 x .40
17	56370754	2	Bearing, Sleeve
18	56416280	1	Shield, Shaker
19	56416511	1	Latch, Shaker
20	56416625	2	Shaker Hinge Weld't.
21	56416671	1	Eccentric
22	56416675	2	Bushing, Flange
23	56418234	1	Shaker Weld't.
24	56468329	2	U-Bolt
25	56418389	1	Motor, 12 VDC
*	56491823	1	Brush Kit for 56418389
*	56900218	1	Plug for 56418389
*	56900215	2	Connector Pin for 56900218
26	56482305	1	Filter
	56418488	1	Impeller Assy (#27-34)
27	56002063	1	Wsh, Flt SAE 3/8
28	56002826	4	Nut, Hex Nyl Loc-Thin 5/16-18
29	56002866	1	Nut, Hex Nyl Loc-Thin 5/16-24
30	56002923	4	Scr, Hex Hd Loc 5/16-18 x .50
31	56009107	1	Wsh, Flt SS .378 x 1.000 x .120
32	56419370	1	Trim-Seal
33	56418784	1	Impeller Bracket Weld't.
34	56418897	1	Impeller

\* = Not Shown

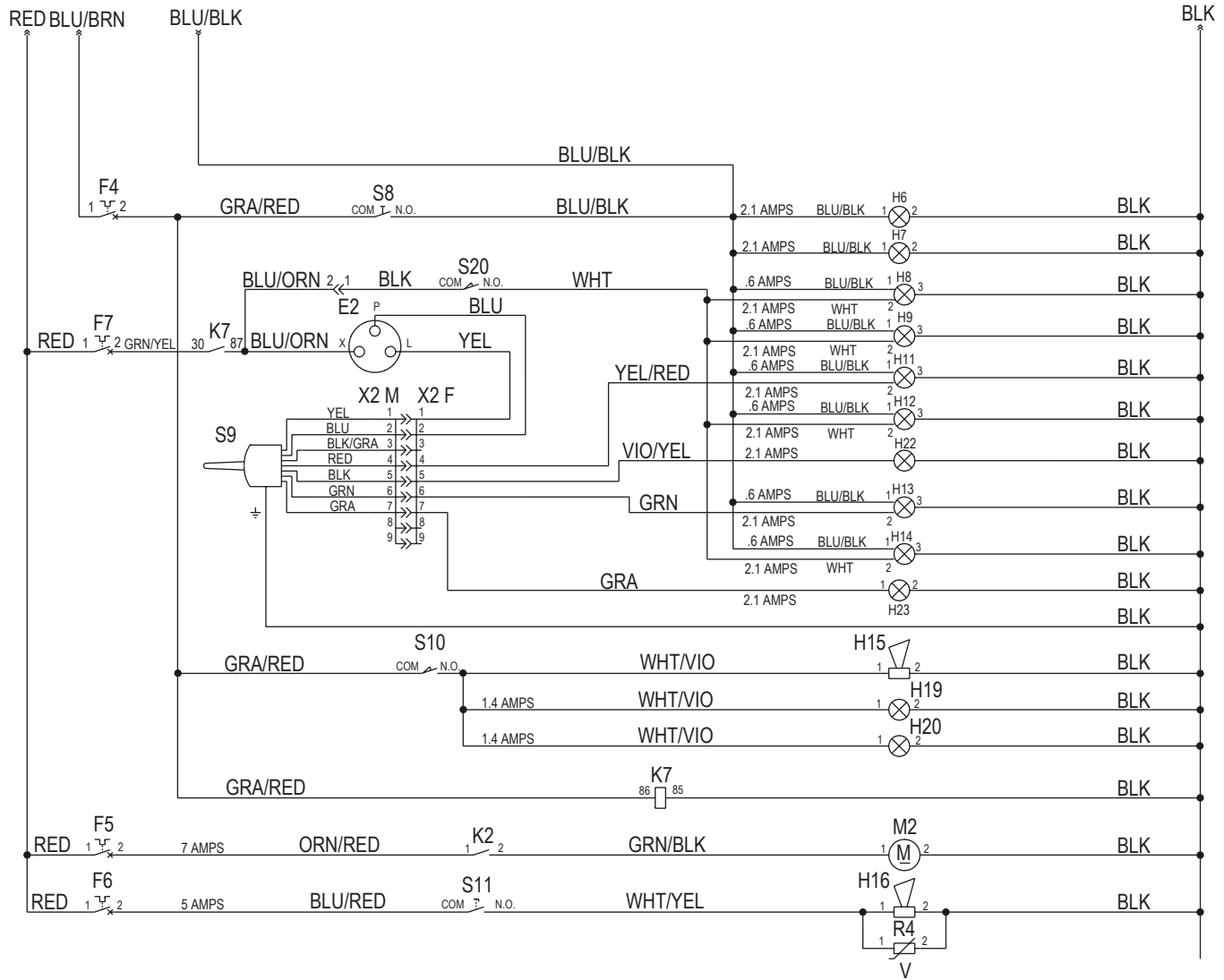




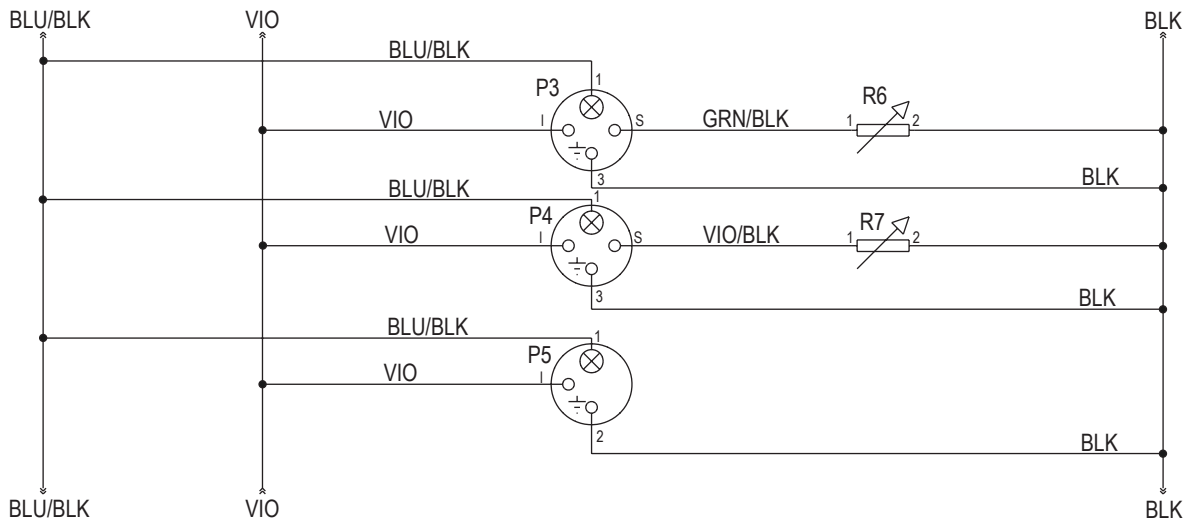
Item	Ref. No.	Qty	Description
BT	56441511	1	Battery, 12 VDC
E1	56491870	1	Timer, Shaker (optional) TSBUS2006-924
E3	56463590	1	Glow Plug Timer
F1	56452193	1	Circuit Breaker, 40 Amp (Main)
F2	56387316	1	Circuit Breaker, 10 Amp (Accessory Circuit)
F3	56454538	1	Circuit Breaker, 15 Amp (Accessory Circuit)
G	56419085	1	Alternator
H1	56418672	1	Lamp, Low Oil Pressure
H2	56418672	1	Lamp, Coolant Temperature
H3	56418672	1	Lamp, Charging
H4	56418672	1	Lamp, Dust Control Filter Plugged
H5	56418672	1	Lamp, Hopper Heat Indicator
H10	56416433	1	Light, Beacon (optional)
*	56416435	1	Lens, Amber (for 56416433)
*	56416436	1	Flash Tube (for 56416433)
H18	56418672	1	Lamp, Hydraulic Filter
H21	56418672	1	Lamp, Hopper Door
H24	56418672	1	Lamp, Glow Plug
K2	56491862	1	Relay (Shaker Motor)
K3	56491862	1	Relay (Accessories)
K6	56418387	1	Relay, SPDT (Hopper Door)
L1	56419445	1	Solenoid, Fuel (TSB 825, SR 1800 only)
L2	56418104	1	Solenoid, Dust Control
L3	56418105	1	Solenoid, Main Broom
L4	56418104	1	Solenoid, Side Broom
M1	56419089	1	Starter Motor
M3	56418793	1	Fuel Pump
P1	56478363	1	Meter, Hour
P2	56489598	1	Gauge, Fuel Level
R3	56478358	1	Sender, Fuel Level
S1	56497754	1	Ignition Switch
S2	56419090	1	Switch, Engine Oil Pressure
S4	56419091	1	Switch, Coolant Temp.
S5	56418404	1	Switch, Vacuum (optional)
S6	56418405	1	Switch, Hopper Temp. (optional)
S7	56324272	1	Switch, Rocker (Shaker Motor, Dust Control)
S12	56418165	1	Switch, Hopper Door Interlock
S13	56372088	1	Switch, Main Broom
S14	56372088	1	Switch, Side Broom
S15	56418165	1	Switch, Dump Door Interlock
S19	56418994	1	Switch, Hydraulic Filter
S21	56460005	1	Switch, Neutral Safety
*	56418985	1	Harness, Control Panel
*	56419448	1	Harness, Main (TSB 825, SR 1800 only)
*	56418203	1	Harness, Hopper
*	56419344	1	Harness, Interlock

\* = Not Shown

Note 1: When the Shaker Timer is not used, there is a jumper wire connected between the RED/BLK and RED/BRN wires.



GAUGE OPTION

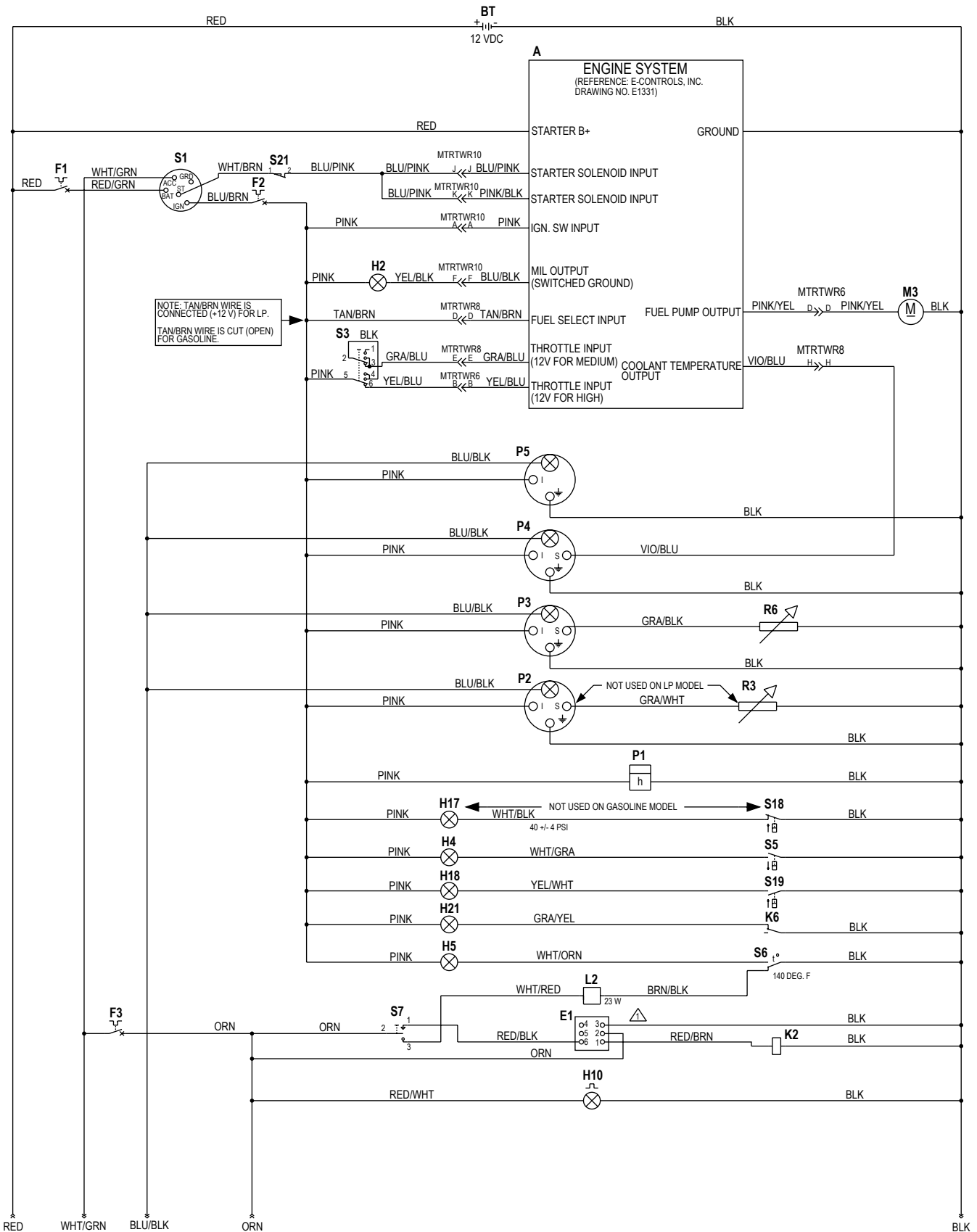


Item	Ref. No.	Qty	Description
E2	56489654	1	Flasher <b>(optional)</b>
F4	56395454	1	Circuit Breaker, 20 Amp <b>(Headlights, Tail Lights)</b>
F5	56168444	1	Circuit Breaker, 8 Amp <b>(Shaker Motor)</b>
F6	56387316	1	Circuit Breaker, 10 Amp <b>(Horn)</b>
F7	56395454	1	Circuit Breaker, 20 Amp <b>(Signal Lights / optional)</b>
H6	56481543	1	Head Light, Right
H7	56481543	1	Head Light, Right
H8	56454519	1	Tail Light
H9	56454519	1	Tail Light
*	56418682	1	Light Socket Assy (includes H8 & H9)
H11	56418392	1	Signal Light, Right Front <b>(optional)</b>
H12	56418836	1	Tail / Brake Light, Right Rear <b>(optional)</b>
H13	56418392	1	Signal Light, Left Front <b>(optional)</b>
H14	56418836	1	Tail / Brake Light, Left Rear <b>(optional)</b>
H15	56462366	1	Back-Up Alarm <b>(optional)</b>
H16	56442054	1	Horn
H19	56418836	1	Lamp, Back-Up <b>(optional)</b>
H20	56418836	1	Lamp, Back-Up <b>(optional)</b>
H22	56418836	1	Signal Light, Right Rear <b>(optional)</b>
H23	56418836	1	Signal Light, Left Rear <b>(optional)</b>
K2	56491862	1	Relay <b>(Shaker Motor)</b>
K7	56491862	1	Relay, Signal Lights <b>(optional)</b>
M2	56418389	1	Motor, 12 VDC <b>(Shaker)</b>
*	56491823	1	Brush Kit for 56418389
*	56900218	1	Plug for 56418389
*	56900215	2	Connector Pin for 56900218
R4		1	Varistor
S8	56393312	1	Switch, Rocker <b>(Headlights)</b>
S9	56418411	1	Switch, Turn Signal <b>(optional)</b>
S10	56455403	1	Switch, Back-Up Alarm <b>(optional)</b>
S11	56441555	1	Switch, Horn
S20	56418411	1	Switch, Brake Light
<b>GAUGE OPTION COMPONENTS</b>			
P3	56489592	1	Gauge, Oil Pressure <b>(standard on SR 1800 after SN 1477918 &amp; all 6250)</b>
P4	56489600	1	Gauge, Coolant Temperature <b>(standard on SR 1800 after SN 1477918 &amp; all 6250)</b>
P5	56482044	1	Voltmeter <b>(standard on SR 1800 after SN 1477918 &amp; all 6250)</b>
R6	56478698	1	Sender, Oil Pressure <b>(standard on SR 1800 after SN 1477918 &amp; all 6250)</b>
R7	56481888	1	Sender, Coolant Temperature <b>(standard on SR 1800 after SN 1477918 &amp; all 6250)</b>
**	56418390	1	Turn Signal Kit
**	56418420	1	Temperature Switch Kit
**	56418406	1	Vacuum Switch Kit
**	56418421	1	Back-Up Alarm Kit
**	56418369	1	Gauge Kit
**	56418834	1	Shaker Timer Kit
**	56418767	1	Beacon Kit

\* = Not Shown

\*\* = Optional

**Note:** For Gauge Option the following items are not used: H2 and S4. R7 replaces S4 with Gauge Option. Cut the VIO / BLK wire off the connector at the lights and connect it to the VIO / BLK wire supplied with the Gauge Kit.

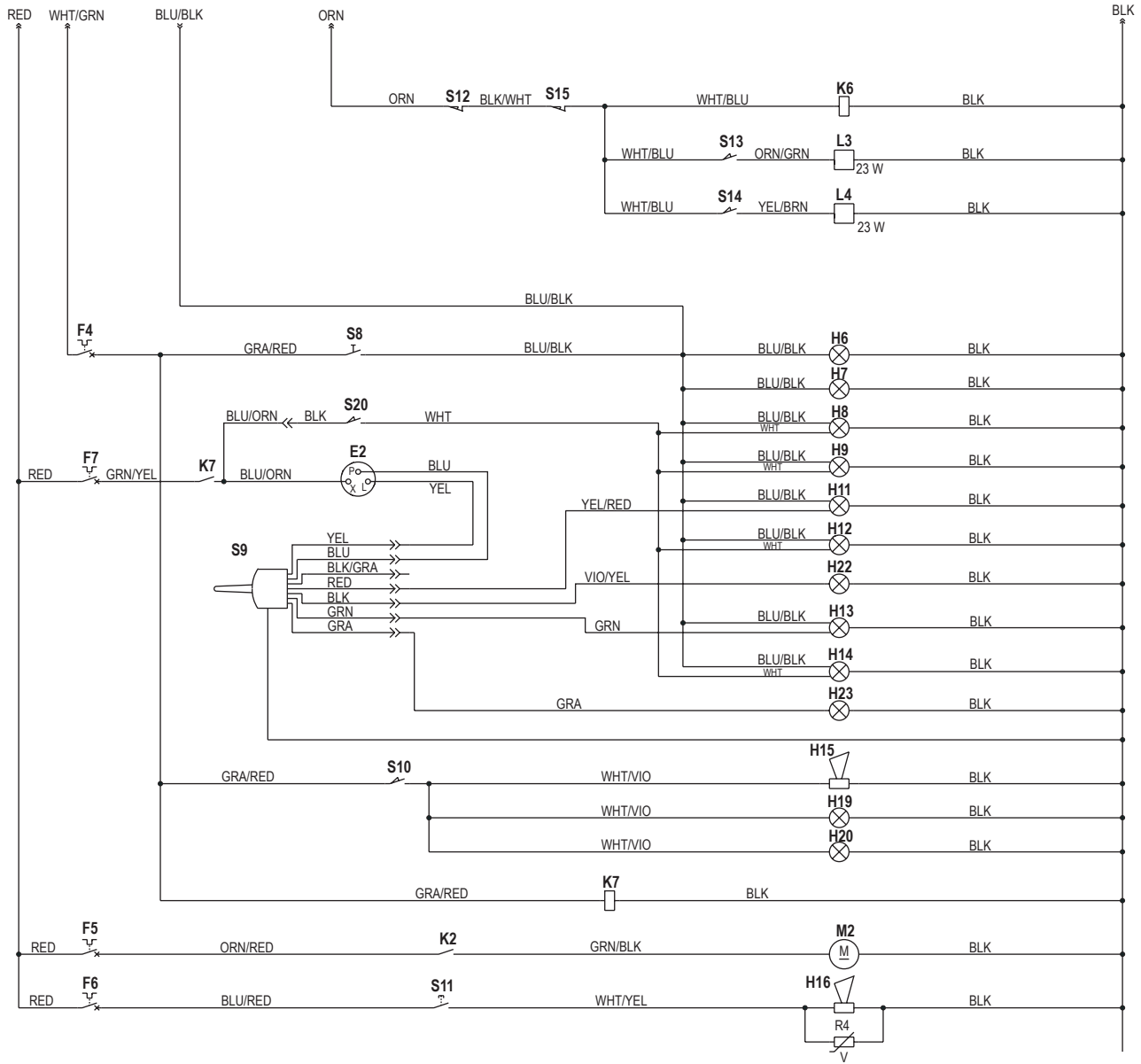


03-12	<b>ELECTRICAL DIAGRAM (GASOLINE/PETROL &amp; LPG)-1</b>	<b>BOOK F</b>		
06-5	<b>Retriever™ 6250 / SR 1800H</b>	<b>F</b>	<b>10.3.1</b>	<b>35</b>

Item	Ref. No.	Qty	Description
A	56304425	1	Electronic Control Unit, Petrol & LPG
BT	56441511	1	Battery, 12 VDC
*	56419574	1	Battery Cable (+)
*	56419575	1	Battery Cable (-)
E1	56491870	1	Timer, Shaker <b>(optional)</b> TSBUS2006-924
F1	56452193	1	Circuit Breaker, 40 Amp <b>(Main)</b>
F2	56454538	1	Circuit Breaker, 15 Amp <b>(Ignition Circuit)</b>
F3	56454538	1	Circuit Breaker, 15 Amp <b>(Accessory Circuit 1)</b>
H2	56418672	1	Lamp, Coolant Temperature
H4	56418672	1	Lamp, Dust Control Filter Plugged
H5	56418672	1	Lamp, Hopper Heat Indicator
H10	56416433	1	Light, Beacon <b>(optional)</b>
*	56416435	1	Lens, Amber <b>(for 56416433)</b>
*	56416436	1	Flash Tube <b>(for 56416433)</b>
H17	56418672	1	Lamp, Low LP
H18	56418672	1	Lamp, Hydraulic Filter
H21	56418672	1	Lamp, Hopper Door
K2	56491862	1	Relay, Shaker Motor
K6	56418387	1	Relay, Hopper Door
L2	56419177	1	Solenoid, Dust Control
M3	56305062	1	Fuel Pump <b>(petrol)</b>
P1	56478363	1	Hour Meter
P2	56489598	1	Fuel Gauge <b>(petrol)</b>
P3	56489592	1	Gauge, Oil Pressure
P4	56489600	1	Gauge, Coolant Temperature before TSBUS2005-877
	56419649	1	Gauge, Coolant Temperature after TSBUS2005-877
P5	56482044	1	Voltmeter
R3	56478358	1	Sender, Fuel Level <b>(petrol)</b>
R6	56478698	1	Sender, Oil Pressure
S1	56418685	1	Switch, Ignition
	56419123	1	replacement Ign. Key <b>(for 56418685)</b>
S3	56455820	1	Switch, Throttle
S5	56418404	1	Switch, Vacuum <b>(optional)</b>
S6	56418405	1	Switch, Hopper Temp. <b>(optional)</b>
S7	56324272	1	Switch, Dust Control/Shaker
S18	56418381	1	Switch, LP Pressure
S19	56418994	1	Switch, Hydraulic Filter
S21	56460005	1	Switch, Neutral Safety
*	56419572	1	Harness, Main Wiring
*	56419573	1	Harness, Control Panel Wiring before TSBUS2005-877
*	56419651	1	Harness, Control Panel after TSBUS2005-877
*	56418203	1	Harness, Hopper Wiring
*	56419344	1	Harness, Interlock
*	56305596	1	Spark Plug Wire Set

\* = Not Shown

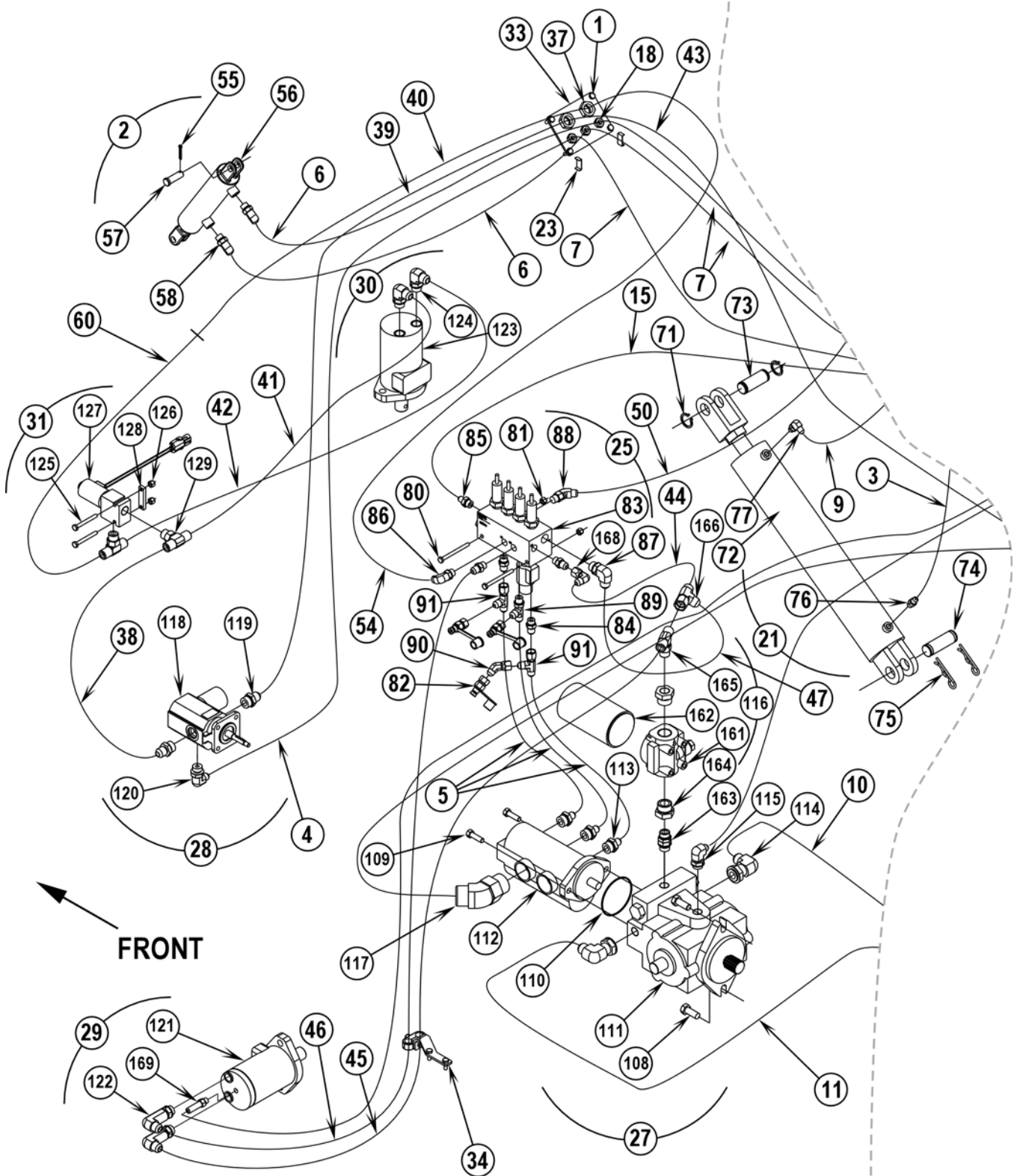
**Note 1:** When the Shaker Timer is not used, there is a jumper wire connected between the RED/BLK and RED/BRN wires.



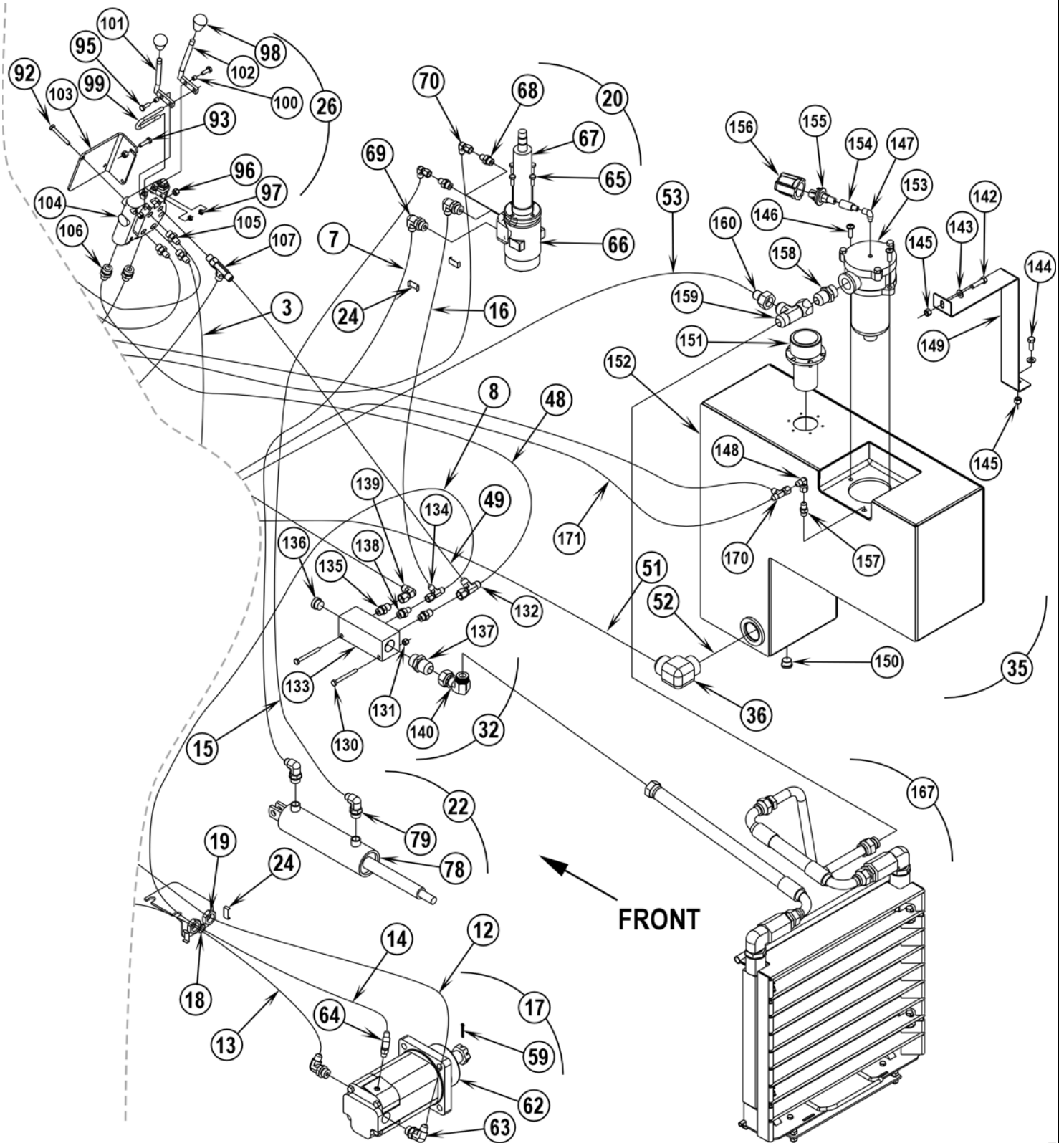
Item	Ref. No.	Qty	Description
E2	56489654	1	Flasher <b>(optional)</b>
F4	56395454	1	Circuit Breaker, 20 Amp <b>(Head Lights / Tail Lights)</b>
F5	56168444	1	Circuit Breaker, 8 Amp <b>(Shaker Motor)</b>
F6	56387316	1	Circuit Breaker, 10 Amp <b>(Horn)</b>
F7	56395454	1	Circuit Breaker, 20 Amp <b>(Signal Lights / optional)</b>
H6	56481543	1	Head Light, Right
H7	56481543	1	Head Light, Left
H8	56454519	1	Tail Light
H9	56454519	1	Tail Light
*	56418682	1	Light Socket Assy (includes H8 & H9)
H11	56418392	1	Signal Light, Right Front <b>(optional)</b>
H12	56418836	1	Tail/Brake Light, Right Rear <b>(optional)</b>
H13	56418392	1	Signal Light, Left Front <b>(optional)</b>
H14	56418836	1	Tail/Brake Light, Left Rear <b>(optional)</b>
H15	56462366	1	Back-Up Alarm <b>(optional)</b>
H16	56442054	1	Horn
H19	56418836	1	Lamp, Back-Up <b>(optional)</b>
H20	56418836	1	Lamp, Back-Up <b>(optional)</b>
H22	56418836	1	Signal Light, Right Rear <b>(optional)</b>
H23	56418836	1	Signal Light, Left Rear <b>(optional)</b>
K2	56491862	1	Relay, Shaker Motor
K6	56418387	1	Relay, Hopper Door
K7	56491862	1	Relay, Signal Lights <b>(optional)</b>
L3	56419105	1	Solenoid, Main Broom
L4	56418104	1	Solenoid, Side Broom
M2	56418389	1	Shaker Motor
R4	56418416	1	Varistor
S8	56393312	1	Switch, Head Lights
S9	56418411	1	Switch, Turn Signal <b>(optional)</b>
S10	56455403	1	Switch, Back-Up Alarm <b>(optional)</b>
S11	56441555	1	Switch, Horn
S12	56418165	1	Switch, Hopper Door Interlock
S13	56372088	1	Switch, Main Broom
S14	56372088	1	Switch, Side Broom
S15	56418165	1	Switch, Dump Door Interlock
S20	56418411	1	Switch, Brake Light
**	56418390	1	Turn Signal Kit
**	56418420	1	Hopper Temperature Switch Kit
**	56418406	1	Vacuum Switch Kit
**	56418421	1	Back-Up Alarm Kit
**	56418834	1	Shaker Timer Kit
**	56418767	1	Beacon Kit

\* = Not Shown

\*\* = Optional





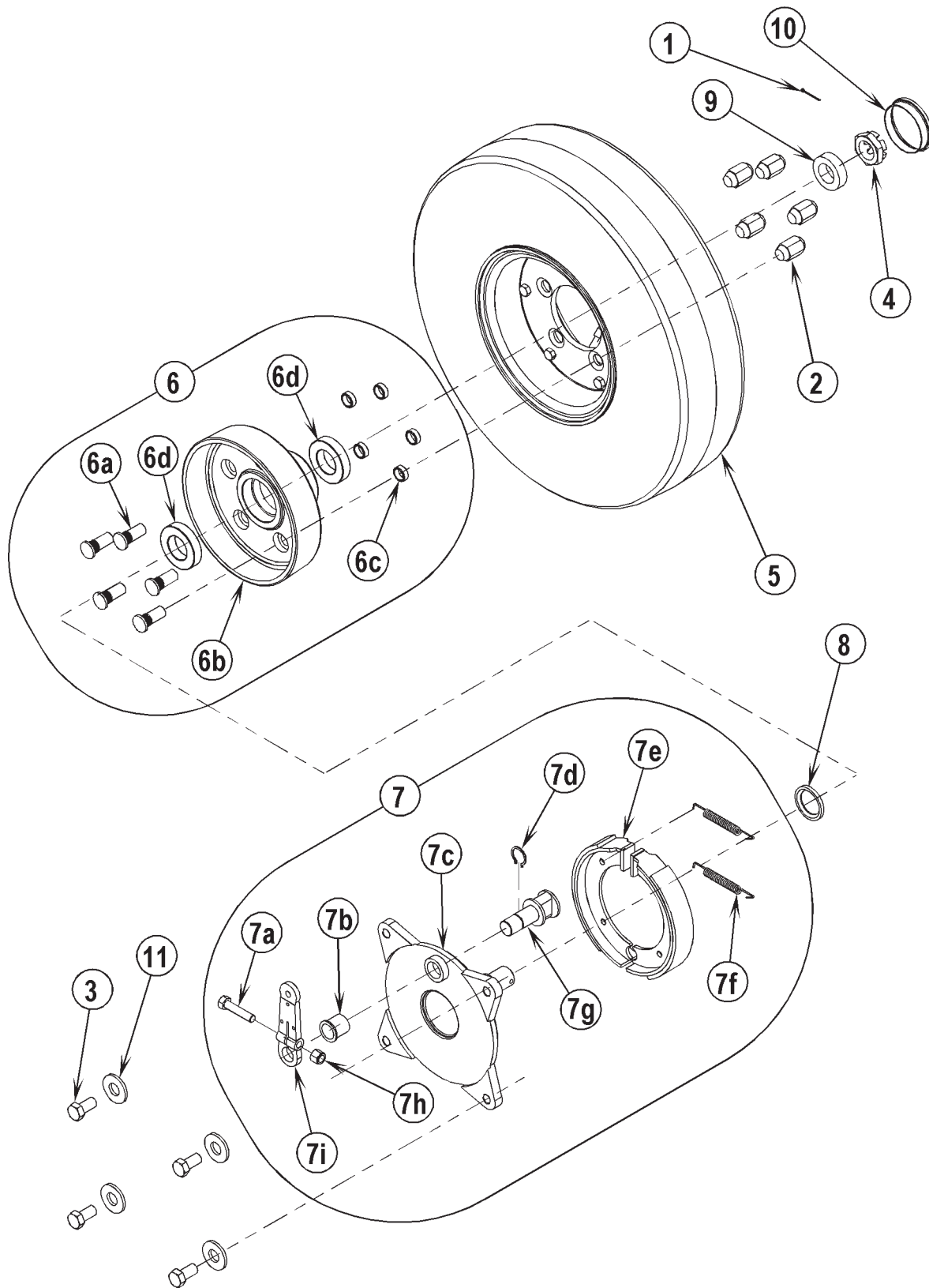


Item	Ref. No.	Qty	Description	Item	Ref. No.	Qty	Description
1	56009018	4	Scr, Hex Thd Form 1/4-20 x .75	47	56419074	1	Hose Assy
2	56416121	1	Hopper Door Cylinder Assy (#55-58)	48	56419075	1	Hose Assy
3	56416487	1	Hydraulic Hose	49	56419076	1	Hose Assy
4	56418312	1	Hose Assy	50	56419077	1	Hose Assy
5	56418315	3	Hose Assy	51	56419078	1	Hose Assy
6	56418321	2	Hose Assy	52	56419079	1	Hose Assy
7	56418333	4	Hose Assy	53	56419080	1	Hose Assy
8	56419182	1	Hose Assy	54	56419081	1	Hose Assy
9	56418338	1	Hose Assy	55	56002529	2	Pin, Cotter .12 x 1.00
10	56418346	1	Hose Assy	56	56416202	1	Cylinder, Hydraulic
11	56418347	1	Hose Assy	57	56486733	2	Pin
12	56418348	1	Hose Assy	58	56900110	2	Elbow, 90 O-Ring
13	56418349	1	Hose Assy	59	56002181	1	Pin, Cotter .12 x 1.50
14	56418350	1	Hose Assy	60	56419459	1	Hose Assy (only after SN 1837747)
15	56418351	2	Hose Assy	61			<b>Intentionally Omitted</b>
16	56418352	1	Hose Assy	62	56419653	1	Motor, Wheel (TSB 775, SR 1800 only), TSBUS2005-904
17	56419655	1	Wheel Motor Assy (#59-64), TSBUS2005-904	*	56418833	1	Seal Kit for 56419653
18	56418744	4	Locknut, Bulkhead	63	56900116	2	Elbow, 90 O-Ring
19	56418745	2	Locknut, Bulkhead	64	56900151	1	Elbow, 45 O-Ring W/Nut
20	56418752	1	Steering Unit Assy (#65-70)	65	56003174	4	Scr, Hex Thd To Hd M6-1.0 x 16mm
21	56418762	1	Lift Cylinder Assy (#71-77)	66	56418452	1	Steering Control Unit
22	56418765	1	Steering Cylinder Assy (#78-79)		56419521	1	Seal Kit for 56418452
23	56462977	1	Sleeve	67	56477003	1	Steering Column
24	56463427	2	Sleeve	68	56900011	2	Connector, O-Ring
25	56418968	1	Relief Block Assy (#80-91, 168)	69	56900110	2	Elbow, 90 O-Ring
*	56419106	1	Seal Kit for 56418968	70	56900301	2	Elbow, 90 W/Nut
26	56418970	1	Directional Control Valve Assy (#92-107)	71	56003258	2	Ring, Ret Ext
27	56418972	1	Pump Assy (#108-117 & 161-166)	72	56100038	1	Cylinder, Hopper
28	56418973	1	Impeller Motor Assy (#118-120)	*	56479687	1	Seal Kit for 56100038
29	56418975	1	Main Broom Motor Assy (#121-122, 169)	73	56418625	1	Pin, Cylinder Short
30	56418977	1	Side Broom Motor Assy (#123-124)	74	56477581	1	Pin
31	56418978	1	Side Broom Valve Assy (#125-129)	75	56477583	2	Pin, .15 Hairpin Cotter
32	56418979	1	Manifold Hydraulic Assy (#130-140)	76	56900001	1	Connector, O-Ring
33	56418980	1	Plate, Bulkhead	77	56900101	1	Elbow, 90 O-Ring
34	56418988	1	Hose Bracket Assy	78	56418441	1	Cylinder, Hydraulic
*	56001833	1	Scr, Hex Hd 1/4-20 x 1.50	*	56488723	1	Seal Kit for 56418441
*	56002155	2	Scr, Hex Hd 1/4-20 x .75	79	56900101	2	Elbow, 90 O-Ring
*	56002708	1	Nut, Hex Nyl Loc 1/4-20	80	56002603	2	Scr, Hex Hd 1/4-20 x 3.00
*	56492753	1	Clamp, Tube	81	56002708	2	Nut, Hex Nyl Loc 1/4-20
*	56418989	1	Bracket, Hose	82	56418865	3	Coupling, #6 Test Port
35	56418990	1	Reservoir Assy (#142-160, 170)	83	56418964	1	Block, Relief
36	56419063	1	Elbow, 90 Union 37	*	56419397	A/R	Relief Valve Cartridge (4 per relief block)
37	56419064	2	Locknut, Bulkhead	*	56419396	A/R	Solenoid Valve Cartridge
38	56419065	1	Hose Assy	*	56419395	A/R	Flow Divider Cartridge
39	56419066	1	Hose Assy	84	56900003	4	Connector, O-Ring
40	56419067	1	Hose Assy (before SN 1837747)	85	56900011	1	Connector, O-Ring
	56419458	1	Hose Assy (after SN 1837747, used with hose item 60)	86	56900103	1	Elbow, 90 O-Ring
41	56419068	1	Hose Assy	87	56900104	1	Elbow, 90 O-Ring
42	56419069	1	Hose Assy	88	56900153	1	Elbow, 45 O-Ring W/Nut
43	56419070	1	Hose Assy	89	56900203	1	Tee, Run O-Ring
44	56419071	1	Hose Assy	90	56900323	1	Elbow, 45 W/Nut
45	56419072	1	Hose Assy	91	56900343	2	Tee, Run W/Nut
46	56419073	1	Hose Assy				

\* = Not Shown

Item	Ref. No.	Qty	Description	Item	Ref. No.	Qty	Description
92	56001874	2	Scr, Hex Hd 1/4-20 x 2.00	129	56900254	2	Tee, Branch O-Ring
93	56002093	2	Scr, Hex Hd 1/4-20 x 1.00	130	56001855	2	Scr, Hex Hd 1/4-20 x 2.50
94			<b>Intentionally Omitted</b>	131	56002708	2	Nut, Hex Nyl Loc 1/4-20
95	56002504	2	Scr, Hex Hd 10-24 x .75	132	56900343	1	Tee, Run W/Nut
96	56002708	5	Nut, Hex Nyl Loc 1/4-20	133	56418998	1	Manifold, Hydraulic
97	56002832	2	Nut, Hex Nyl Loc-Thin 10-24	134	56900341	1	Tee, Run W/Nut
98	56378534	2	Knob	135	56900003	2	Connector, O-Ring
99	56416246	1	U-Clip, Valve	136	56463403	1	Plug, Hex Soc O-Ring
100	56416394	2	Bushing	137	56900006	1	Connector, O-Ring
101	56418657	1	Left Lever Weld't.	138	56900011	1	Connector, O-Ring
102	56418658	1	Right Lever Weld't.	139	56900303	1	Elbow, 90 W/Nut
103	56418660	1	Bracket, Valve	140	56900306	1	Elbow, 90 W/Nut
104	56418969	1	Valve, Directional Control	141			<b>Intentionally Omitted</b>
*	56418819	1	Seal for 56418969	142	56001834	1	Scr, Hex Hd 5/16-18 x 1.25
105	56900011	3	Connector, O-Ring	143	56001939	2	Wsh, Flt SAE 5/16
106	56900013	2	Connector, O-Ring	144	56002037	1	Scr, Hex Hd 5/16-18 x .88
107	56900203	1	Tee, Run O-Ring	145	56002701	2	Nut, Hex Nyl Loc 5/16-18
108	56001831	2	Scr, Hex Hd 1/2-13 x 1.25	146	56002943	2	Scr, Pan Phil Loc 5/16-18 x 1.00
109	56002254	2	Scr, Hex Hd 3/8-24 x 1.25	147	56111309	1	Elbow, 90 Street
110	56488002	1	O-Ring	148	56900301	1	Elbow, 90 W/Nut
111	56497918	1	Pump, Piston	149	56418787	1	Strap, Hydraulic Reservoir
*	56418825	1	Seal Kit for 56497918	150	56463403	1	Plug, Hex Soc O-Ring
112	56418963	1	Pump, Triple Gear	151	56479656	1	Cap, Filler
*	56418987	1	Seal Kit for 56418963	152	56418914	1	Reservoir Weld't.
113	56900014	3	Connector, O-Ring	153	56418992	1	Oil Filter Assy
114	56900116	2	Elbow, 90 O-Ring	*	56419083	1	Replacement Oil Filter
115	56900115	1	Elbow, 90 O-Ring	154	56418993	1	Adapter, 1/8 NPT
116	56419255	1	Oil Filter Assembly (#161-166)	155	56418994	1	Switch, N.O. Pressure
117	56900915	1	Elbow, 45 STR.-THD.	156	56419241	1	Dust Boot
118	56418971	1	Motor, Hydraulic	157	56900001	1	Connector, O-Ring
*	56419178	1	Seal Kit for 56418971	158	56900006	1	Connector, O-Ring
*	56419176	1	Solenoid Cartridge for 56418971	159	56900346	1	Tee, Run W/Nut
*	56419177	1	Solenoid Coil for 56418971	160	56900469	1	Reducer
119	56900004	2	Connector, O-Ring	161	56419253	1	Head, Oil Filter
120	56900101	1	Elbow, 90 O-Ring	162	56419254	1	Oil Filter Cartridge
121	56418974	1	Motor, Main Broom (TSB 777, SR 1800 only)	163	56900924	1	Union, Straight Thread
*	56479577	1	Seal Kit for 56418974	164	56900604	2	Reducer, Straight Thread
122	56900524	2	Elbow, 90 Long O-Ring	165	56900254	1	Tee, Branch O-Ring
123	56418976	1	Motor, Side Broom	166	56900344	1	Tee, Run W/Nut
*	56479577	1	Seal Kit for 56418976	167	56418952	1	Oil Cooler Assy (diesel) (see Radiator Assembly (diesel))
124	56900104	2	Elbow, 90 O-Ring		56419528	1	Oil Cooler Assy (petrol/LPG/dual fuel) (see Radiator Assembly (petrol))
125	56001856	2	Scr, Hex Hd 1/4-20 x 2.25	168	56900303	1	Elbow, 90 W/Nut
126	56002708	2	Nut, Hex Nyl Loc 1/4-20	169	56900051	1	Connector, Extended O-Ring (TSB 731, SR 1800 only)
127	56418104	1	Valve, Solenoid	170	56900341	1	Tee, Run W/Nut (TSB 731, SR 1800 only)
*	56418816	1	Seal Kit for 56418104	171	56419362	1	Hose Assy (TSB 731, SR 1800 only)
128	56418986	1	Spacer, Solenoid Valve				

\* = Not Shown

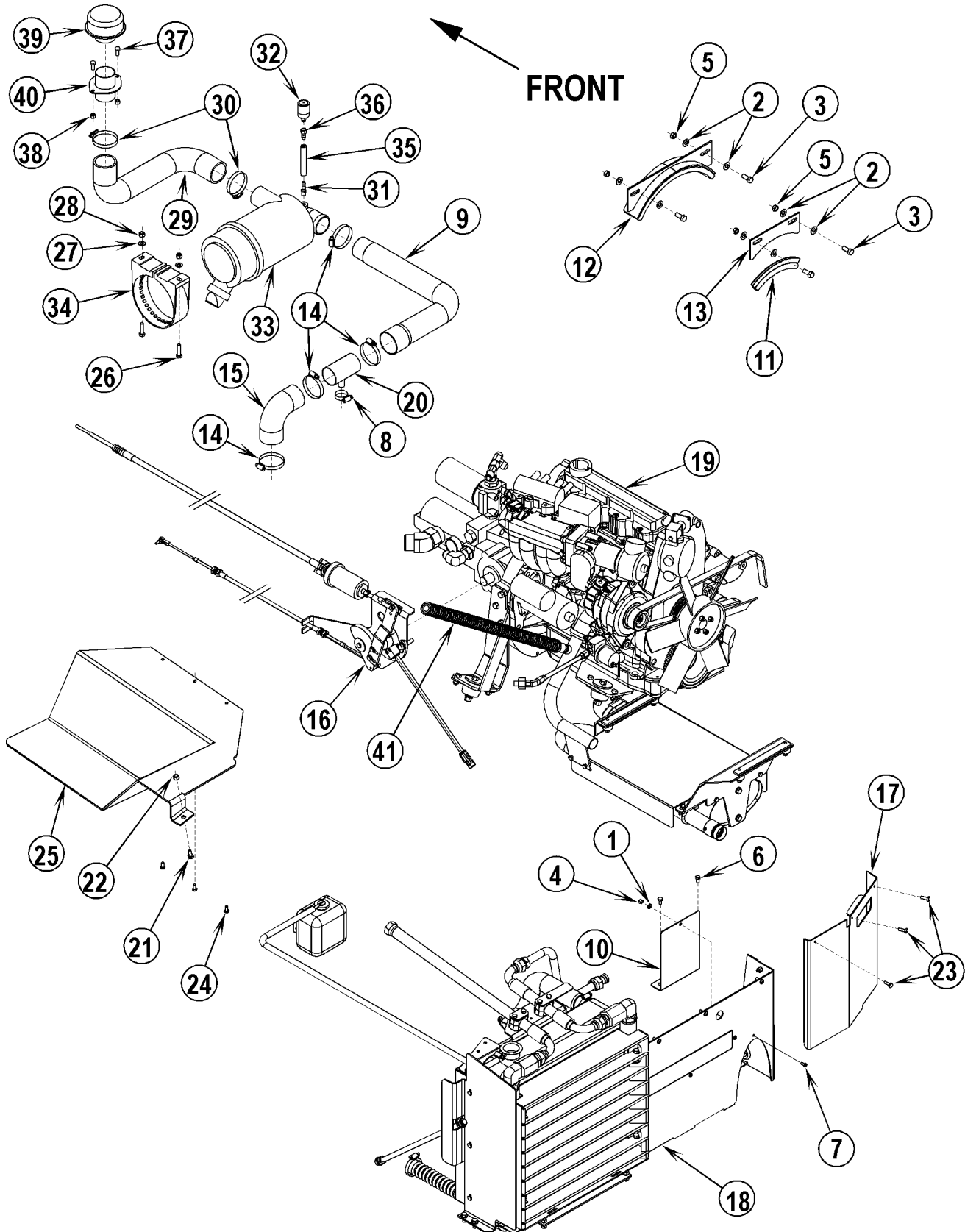


Item	Ref. No.	Qty	Description
1	56002330	1	Pin Cotter 3/16 x 1.75
2	56003384	5	Nut, Lug M14 x 1.50
3	56003485	4	Scr, Hex Hd 1/2-20 x 1.00
4	56101265	1	Nut, Hex Castle 1-14 Thin
5	56418075	1	Tire Assembly
*	56003179	6	Scr, Hex Thd To Hd M8-1.25 x 20mm
*	56003389	6	Nut, Hex Nyl Loc M8-1.25
*	56418076	1	Rim, 8.00 x 3.75
*	56418077	1	Tire, 5.70 / 5.00-8N
*	56418371	1	Tube
**	56418361	1	Tire, Cushion
**	56419328	1	Tire, Non-Marking
**	56419455	1	Tire Assy, Front Foam Fill
6	56418124	1	Front Hub Assembly
6a	56418080	5	Stud, M14-1.50 x 35.3
6b	56418082	1	Hub, Front
6c	56418299	5	Bushing, .75 x .56 x .29
6d	56418472	2	Bearing, Ball
7	56418467	1	Brake Assembly
7a	56002684	1	Scr, Hex Hd 3/8-16 x 1.75
7b	56418582	1	Bearing, Flange
7c	56418578	1	Casting, Mount
7d	56003108	1	Ring, Ret Ext .75 Dia.
7e	56418473	2	Brake Shoe
7f	56418581	2	Spring
7g	56418579	1	Cam
7h	56002769	1	Nut, Hex Nyl Loc 3/8-16
7i	56418580	1	Lever
8	56418480	1	Washer, Adapter
9	56418481	1	Washer, Thick
10	56462696	1	Hub Cap
11	56001879	4	Wsh, Flt SAE 1/2

\* = Not Shown

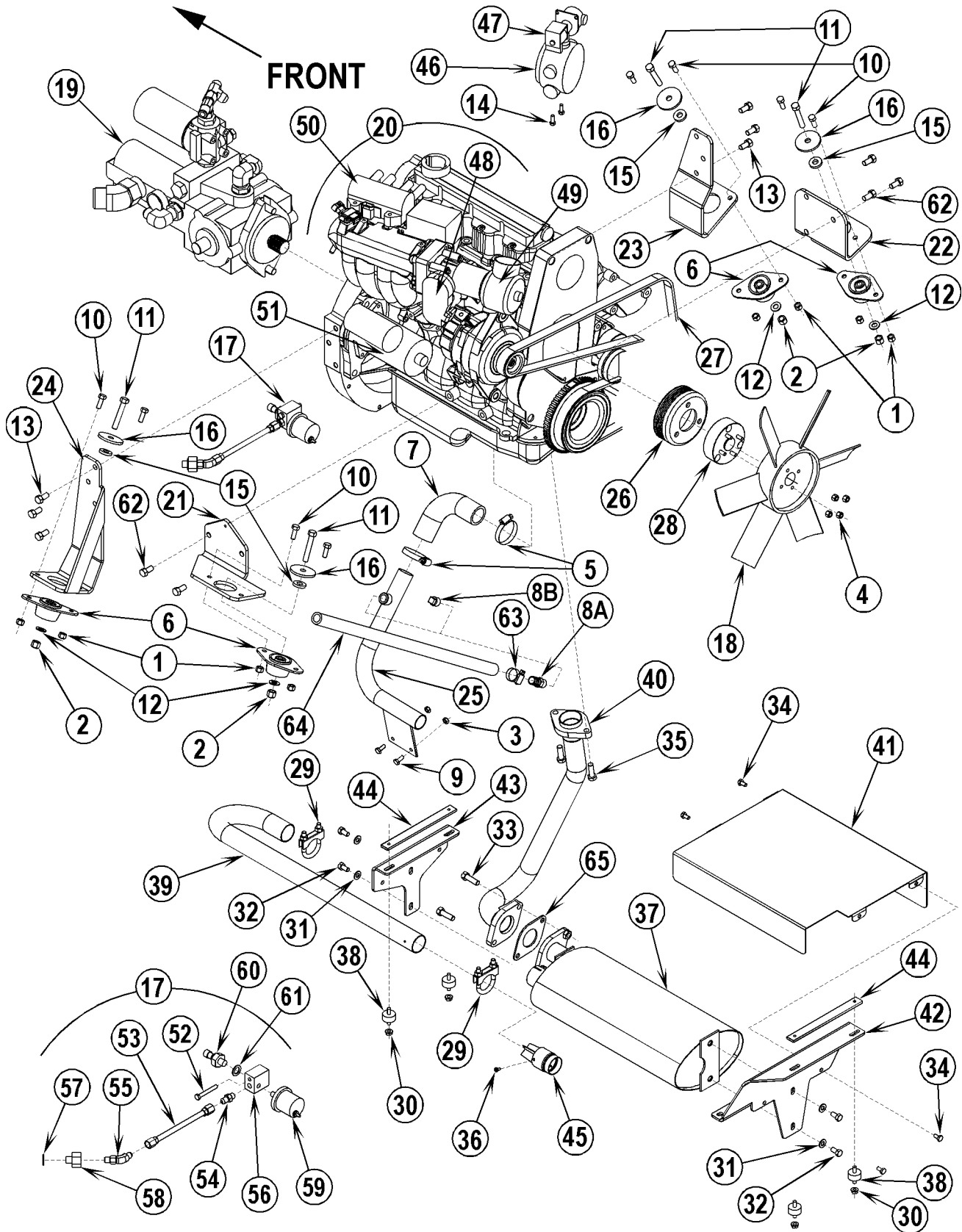
\*\* = Optional

**Note:** All quantities shown on this page reflect one Front Wheel System only, there are two Front Wheel Systems on the machine.



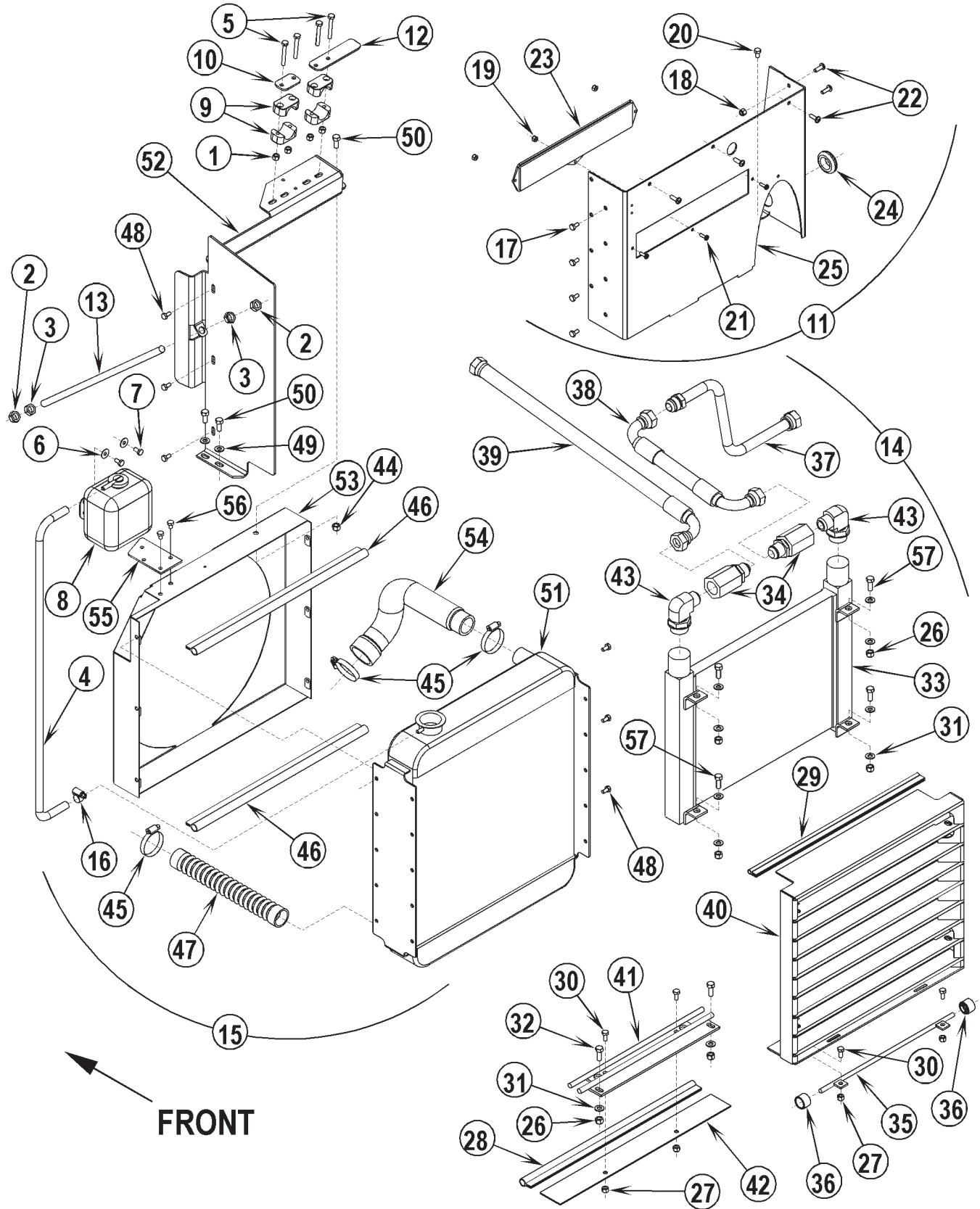
Item	Ref. No.	Qty	Description
1	56001954	1	Wsh, Flt SAE #10 (LPG)
2	56002063	8	Wsh, Flt SAE 3/8 (LPG)
3	56002271	4	Scr, Hex Hd 3/8-16 x .88 (LPG)
4	56002768	1	Nut, Hex Nyl Loc 10-24 (LPG)
5	56002841	4	Nut, Hex Nyl Loc-Thin 3/8-16 (LPG)
6	56009033	2	Scr, Hex Thd Form 1/4-20 x .50 (LPG)
7	56009082	1	Scr, Pan Phil Thd Form-Blk 10-24 x .50 (LPG)
8	56244969	1	Clamp, Hose SAE #12
9	56418429	1	Hose, Air Inlet
10	56418526	1	Cover, Fuel Opening (LPG)
11	56418675	1	Gasket, Bulb (LPG)
12	56418710	1	LP Clamp Assy (LPG)
13	56418746	1	Plate, LP Clamp (LPG)
14	56440213	4	Clamp, Hose SAE #32
15	56305241	1	Formed Hose
16	56418783	1	Linkage Assy (see Linkage Assembly)
17	56419302	1	Panel, Rear (petrol)
18	56419511	1	Radiator Assembly (see Petrol & LPG Radiator Assembly)
19	56419522	1	Engine Assembly, LPG (see Petrol & LPG Engine Components) (6250)
	56419523	1	Engine Assembly, Petrol (see Petrol & LPG Engine Components) (6250)
	56419629	1	LPG Engine Assy-Euro (see Petrol & LPG Engine Components) (SR 1800H)
	56419630	1	Gasoline/Petrol Engine Assy-Euro (see Petrol & LPG Engine Components) (SR 1800H)
20	56419614	1	Tube Weldment
21	56002667	1	Scr, Hex Hd 5/16-18 x .75 (petrol)
22	56002701	1	Nut, Hex Nyl Loc 5/16-18 (petrol)
23	56009018	3	Scr, Hex Thd Form 1/4-20 x .75 (petrol)
24	56009033	3	Scr, Hex Thd Form 1/4-20 x .50 (petrol)
25	56418850	1	Fuel Tank Guard Weldment (petrol)
	56419058	1	Air Cleaner Assy (items 26-40)
26	56001834	2	Scr, Hex Hd 5/16-18 x 1.25
27	56001939	2	Wsh, Flt SAE 5/16
28	56002701	2	Nut, Hex Nyl Loc 5/16-18
29	56418430	1	Hose, Flexible Air Inlet
30	56440213	2	Clamp, Hose SAE #32
31	56477523	1	Barb, Adapter 5/16 x 18 NPT
32	56478461	1	Indicator, Service
33	56482478	1	Cleaner, Air
*	56482028	1	Replacement Safety Filter
*	56482029	1	Replacement Primary Filter
34	56482621	1	Band Assy
35	56492259	1	Hose, Fuel Line
36	56751300	1	Barb, Hose Female
	56419313	1	Inlet Hood Assy (items 37-40)
37	56002155	2	Scr, Hex Hd 1/4-20 x .75
38	56002708	2	Nut, Hex Nyl Loc 1/4-20
39	56419312	1	Hood, Inlet
40	56419314	1	Flange Weldment
41	56419654	1	Conduit (LPG only)

\* = Not Shown

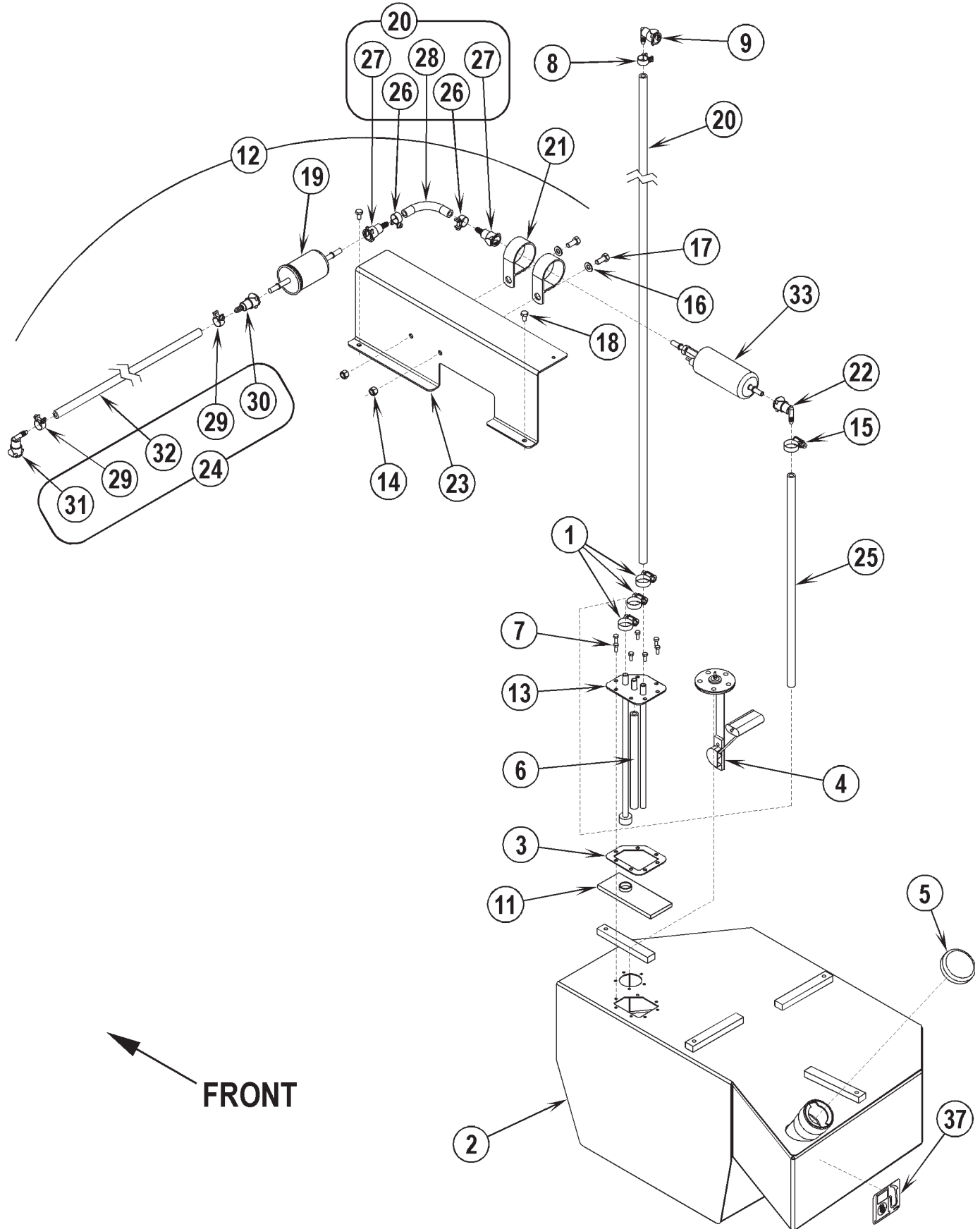




Item	Ref. No.	Qty	Description	Item	Ref. No.	Qty	Description
1	56002701	8	Nut, Hex Nyl Loc 5/16-18	52	56001874	1	Scr, Hex Hd 1/4-20 x 2.00
2	56002769	4	Nut, Hex Nyl Loc 3/8-16	53	56462396	1	Hose Assembly
3	56002840	2	Nut, Hex Nyl Loc-Thin 1/4-20	54	56900001	1	Connector, O-Ring
4	56003284	4	Nut, Hex Nyl Loc 1/4-28	55	56900151	1	Elbow, 45 O-Ring W/Nut
5	56329145	2	Clamp, Hose SAE #24	56	56305093	1	Switch Block
6	56418099	4	Mount, Isolator	57	56305099	1	Seal Washer
7	56418227	1	Hose, Lower Radiator	58	56305100	1	Adapter, Brass
8A	56456436	1	Barb, Adapter 5/8 x 3/8 NPT(LPG)	59	56305619	1	Sender, Pressure
8B	56744580	1	Plug, NPT 3/8 Brass (petrol)	60	56305098	1	Oil Pressure Switch (shipped with engine)
9	56001836	2	Scr, Hex Hd 1/4-20 x .62	61	56305099	1	Washer, Copper (shipped with engine)
10	56002037	8	Scr, Hex Hd 5/16-18 x .88	62	56003442	5	Scr, Hex Nyl Loc M10-1.50 x 20mm
11	56002058	4	Scr, Hex Hd 3/8-16 x 2.25	63	56112771	1	Clamp, Hose SAE #10 (LPG only)
12	56002063	4	Wsh, Flt SAE 3/8	64	56419626	1	Hose, Heater 25.00 (LPG only)
13	56003079	6	Scr, Hex Hd Loc 3/8-16 x .75	65	56305549	1	Gasket, Exhaust
14	56003174	2	Scr Hex Thd To Hd M6-1.0 x 16mm (LPG only)				
15	56009106	4	Wsh, Flt .453 x 1.000 x .179				<b>ENGINE REPLACEMENT PARTS</b>
16	56009274	4	Wsh, Flt .438 x 2.000 x .164	*	56305411	1	Thermostat Kit
17	56305094	1	Oil Switch Assembly (items 52-59)	*	56305107	1	O2 Sensor
18	56418718	1	Fan	*	56305992	1	Throttle Actuator
19	56418972	1	Pump Assy (see Hydraulic System)	*	56305991	1	Map Sensor
20	56419512	1	Engine, GM 1.6L LPG	*	56305985	1	Wire Harness
	56419513	1	Engine, GM 1.6L Petrol	*	56305596	1	Plug Wire Kit
21	56419514	1	Mount, Engine	*	56305979	4	Spark Plug
22	56419515	1	Mount, Engine	*	56304794	1	Ignition Coil
23	56419551	1	Mount, Engine	*	56305273	1	Alternator 70A
24	56419554	1	Engine Mount Weldment	*	56305275	1	Starter Motor (before TSBUS2006-921)
25	56419567	1	Weldment, Tube	*	56305998	1	Starter Motor (after TSBUS2006-921)
26	56419607	1	Sheave, Fan	*	56305404	1	Crank Pos Sensor
27	56419615	1	Belt, Fan	*	56305403	1	Coolant Sensor
28	56419617	1	Fan Spacer Assembly	*	56305986	1	Water Pump
	56419623	1	Exhaust Assembly (6250) (items 29-45 & 65)	*	56305272	1	Oil Filter Cartridge
	56419628	1	Exhaust Assembly-Euro (SR 1800H) (items 29-45 & 65)	*	56305271	1	Exh Gasket Donut
29	56456833	2	Clamp, Muffler 2.25	*	56305988	1	Timing Belt (Cam)
30	56001827	4	Nut, Hex Flange Loc 1/4-20	*	56305098	1	Oil Pressure Switch
31	56001939	4	Wsh, Flt SAE 5/16	*	56305987	1	PCV Valve
32	56002035	4	Scr, Hex Hd 5/16-18 x .62	*	56304750	1	Cat Con
33	56002254	2	Scr, Hex Hd 3/8-24 x 1.25	*	56305595	1	Muffler (SR Models Only)
34	56003039	4	Scr, Hex Hd Loc 1/4-20 x .50	*	56419648	1	Pump Drive 15t
35	56003675	2	Scr, Hex M10-1.50 x 30mm				<b>PETROL ONLY</b>
36	56009051	1	Scr, Pan Phil Thd Form 8-32 x .38	*	56305274	4	Petrol Injector
37	56304750	1	Muffler/Cat. Con. (6250 models)	*	56305062	1	Petrol Fuel Pump
	56305595	1	Muffler (SR 1800H models)	*	56305413	1	Fuel Rail and Reg.
38	56305216	4	Stud Mount, Silicone	*	56305412	1	Petrol Fuel Filter
39	56419597	1	Tailpipe	*	56419647	1	ECU Petrol
40	56419598	1	Exhaust Pipe Weldment				<b>LPG ONLY</b>
41	56419602	1	Heat Shield	*	56305982	1	Mixer
42	56419603	1	Hanger, Muffler Rear	*	56305981	1	Vaporizer
43	56419604	1	Hanger, Muffler Front	*	56419646	1	ECU LPG
44	56419622	2	Nut Plate	*	56305984	1	Fuel Trim Valve 90°
45	56419625	1	Spark Arrester	*	56305983	1	Fuel Trim Valve Str.
46	56305408	1	Vaporizer (LPG)	*	56305993	1	LPG Lock off And Filter
47	56305409	1	Fuel Lock Off Valve (LPG)	*	56305410	1	LPG Filter Cartridge
48	56304426	1	Throttle Actuator	*	56460287	1	Vapor Hose
49	56305407	1	Mixer (100) (LPG)				* = Not Shown
50	56304794	1	Ignition Coil				
51	56305275	1	Starter Motor (before TSBUS2006-921)				
	56305998	1	Starter Motor (after TSBUS2006-921)				

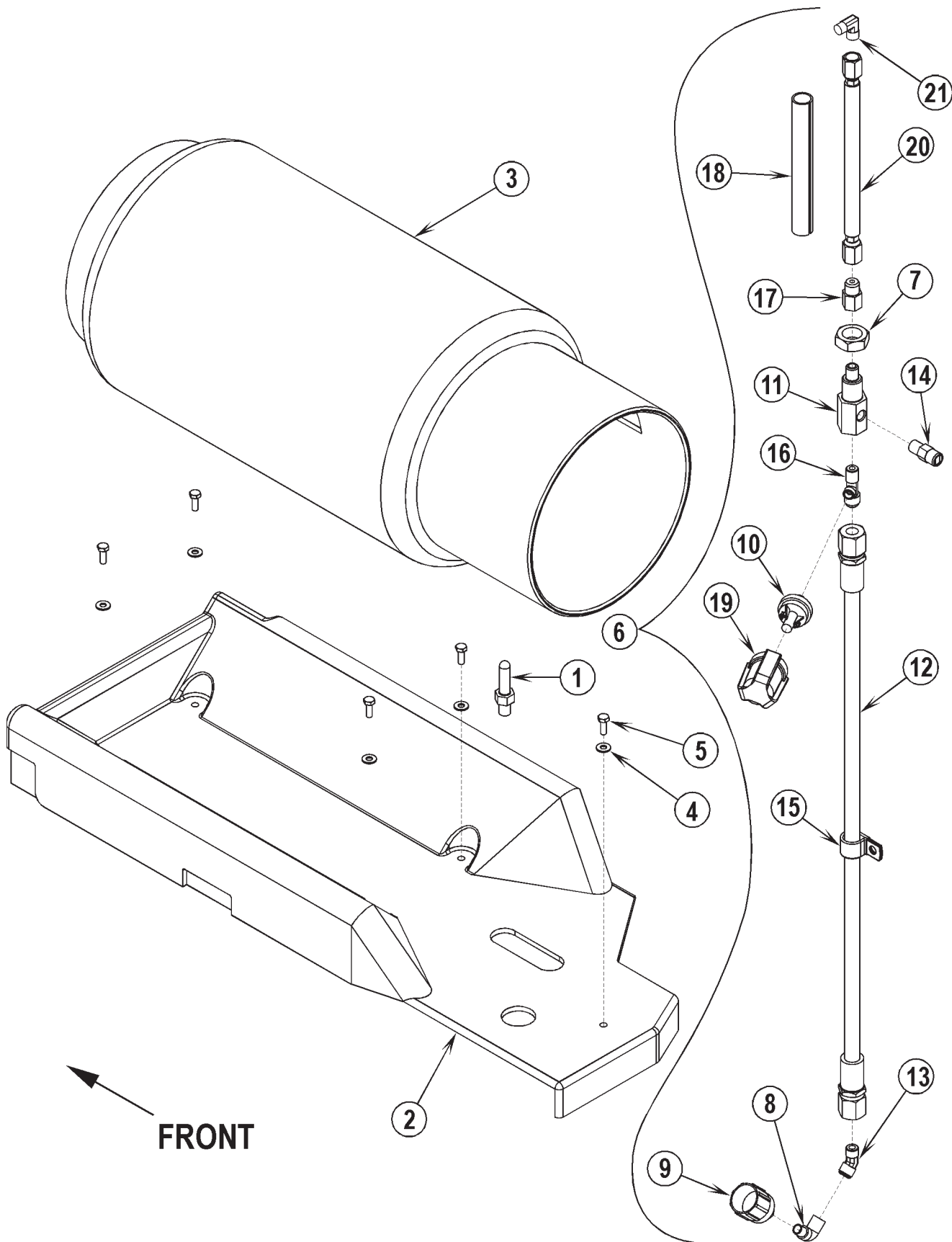


Item	Ref. No.	Qty	Description
	56419511	1	Radiator Assembly (items 1-16)
1	56002708	4	Nut, Hex Nyl Loc 1/4-20
2	56002843	2	Nut, Hex Nyl Loc-Thin 1/2-13
3	56009016	2	Nut, Hex Jam 1/2-13
4	56478488	1	Hose, Fuel Line
5	56001874	4	Scr, Hex Hd 1/4-20 x 2.00
6	56009025	2	Wsh, Flt .266 X .750 x .036
7	56009033	2	Scr, Hex Thd Form 1/4-20 x .5
8	56305267	1	Bottle, Overflow
9	56419041	4	Clamp
10	56419042	1	Plate, Clamp
11	56419147	1	Back Panel Assembly (items 17-25)
12	56419180	1	Prop Rest
13	56419526	1	Rod, Support
14	56419528	1	Oil Cooler Assembly (items 26-43 & 57)
15	56419539	1	Radiator Shroud Assy G & P (items 44-56)
16	56756364	1	Clamp, Hose SAE #4
17	56001854	4	Scr, Hex Hd 1/4-20 x .50
18	56002708	2	Nut, Hex Nyl Loc 1/4-20
19	56002768	3	Nut, Hex Nyl Loc 10-24
20	56009033	1	Scr, Hex Thd Form 1/4-20 x .50
21	56009100	3	Scr, Pan Phil Thd Form-Blk 10-24 x .62
22	56009248	5	Scr, Pan Phil Thd Form-Blk 1/4-20 x .75
23	56416418	1	Lens, Tail Light
24	56486116	1	Grommet
25	56419158	1	Back Panel Weldment
26	56002701	6	Nut, Hex Nyl Loc 5/16-18
27	56002708	4	Nut, Hex Nyl Loc 1/4-20
28	56418605	1	Gasket, Bulb
29	56418609	1	Trim Seal
30	56001836	4	Scr, Hex Hd 1/4-20 x .62
31	56001939	10	Wsh, Flt SAE 5/16
32	56002037	2	Scr, Hex Hd 5/16-18 x .88
33	56418953	1	Cooler, Oil
34	56418954	2	Swivel
35	56419016	1	Axle Weldment
36	56419036	2	Roller
37	56419291	1	Tube Weldment G
38	56419298	1	Hose Assy
39	56418344	1	Hose Assy
40	56419527	1	Grill Weldment
41	56419542	1	Roller Stop Weldment
42	56419546	1	Baffle, Air
43	56900117	2	Elbow, 90 O-Ring
44	56002701	1	Nut, Hex Nyl Loc 5/16-18
45	56329145	3	Clamp, Hose SAE #24
46	56418605	2	Gasket, Bulb
47	56482333	1	Hose, Coolant
48	56001854	6	Scr, Hex Hd 1/4-20 x .50
49	56001939	2	Wsh, Flt SAE 5/16
50	56002667	3	Scr, Hex Hd 5/16-18 x .75
51	56305316	1	Radiator
52	56419537	1	Radiator Mount Weldment G & P
53	56419631	1	Radiator Shroud Weldment, G & P
54	56419570	1	Radiator Hose
55	56419634	1	Bracket, Vaporizer
56	56002933	2	Scr, Hex Hd Loc 1/4-20 x .38
57	56002221	4	Scr, Hex Hd 5/16-18 x 1.00



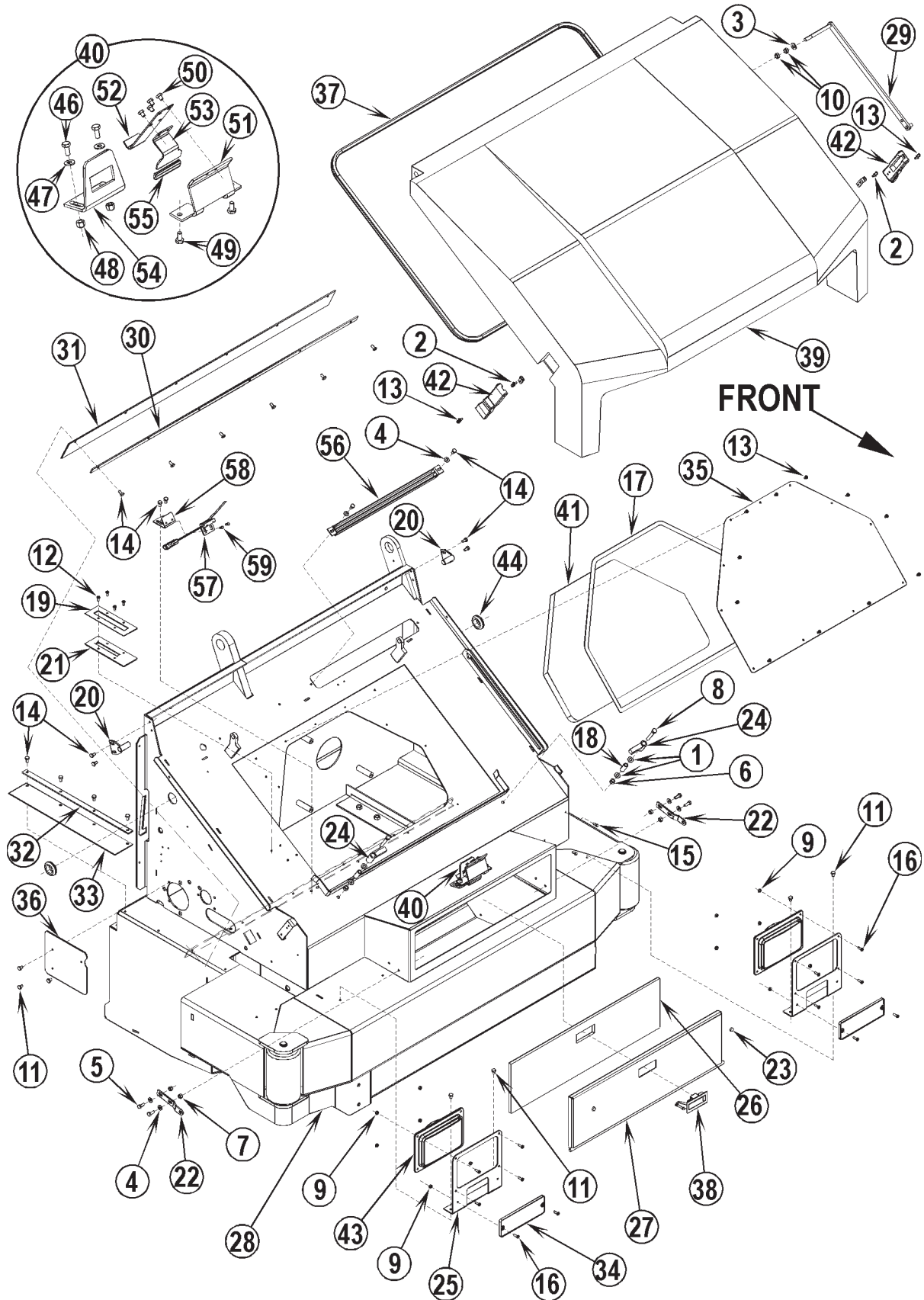
Item	Ref. No.	Qty	Description
	56419558	1	Petrol Fuel Assembly (items 1-13, 34-37)
1	56219932	3	Clamp, Hose SAE #6
2	56418185	1	Fuel Tank Weldment
3	56418795	1	Gasket
4	56478358	1	Sender, Fuel Level
5	56419318	1	Cap, Non-Vented
6	56419644	1	Hose, Fuel Line
7	56009039	7	Scr, Hex Thd Form 10-24 x .50
8	56305423	1	Hose Clamp, Pressure
9	56305753	1	Barbed Elbow, Fuel Line
*	56305790	1	Wire Assembly, Pigtail
10	56419588	1	Hose, Fuel Pressure
11	56419307	1	Strainer, Fuel
12	56419556	1	Fuel Pump Assembly (items 14-25 & 33)
13	56419559	1	Adaptor Weldment
14	56002701	2	Nut, Hex Nyl Loc 5/16-18
15	56219932	1	Clamp, Hose SAE #6
16	56001939	2	Wsh, Flt SAE 5/16
17	56002667	2	Scr, Hex Hd 5/16-18 x .75
18	56009033	2	Scr, Hex Thd Form 1/4-20 x .50
19	56305412	1	Fuel Filter, Pressure (shipped w/engine)
20	56305487	1	Hose Assembly (items 26-28)
21	56305492	2	P-Clamp
22	56305753	1	Barbed Elbow, Fuel Line
23	56419553	1	Fuel Pump Bracket
24	56419589	1	Hose Assembly (items 29-32)
25	56492259	1	Hose, Fuel Line
26	56305423	2	Hose Clamp, Pressure
27	56305446	2	Coupler, Fuel Line
28	56305459	1	Hose, Fuel Pressure
29	56305423	2	Hose, Clamp, Pressure
30	56305446	1	Coupler, Fuel Line
31	56305753	1	Barbed Elbow, Fuel Line
32	56419588	1	Hose, Fuel Pressure
33	56305062	1	Fuel Pump
34	56481684	1	Hose, Fuel Line
35	56492885	1	Fuel Filter Kit 1/4
36	56323067	1	Strain Relief
37	56016226	1	Decal, Unleaded Fuel
*	56489598	1	Gauge, Fuel Level

\* = Not Shown



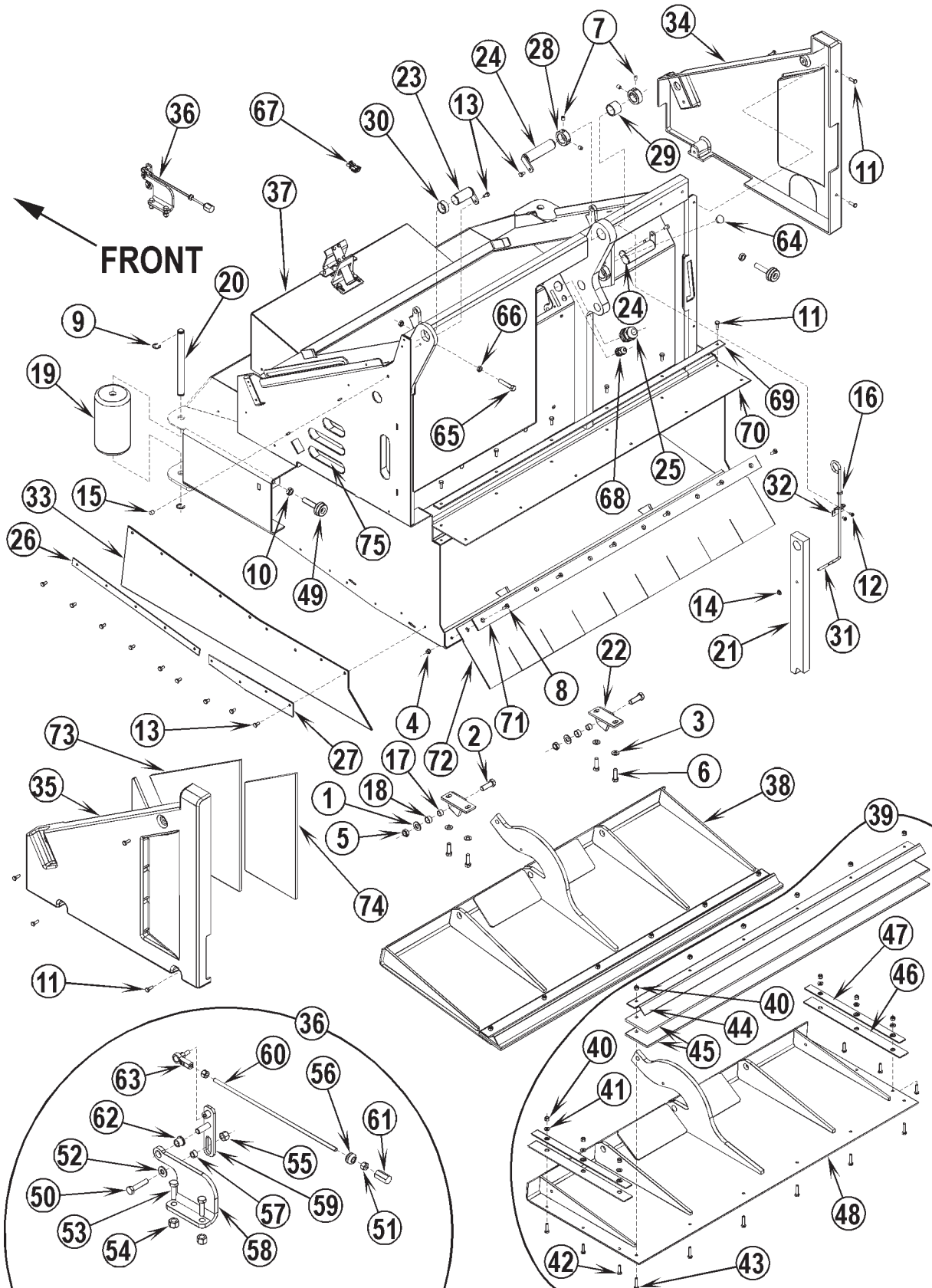
03-12	<b>LPG FUEL SYSTEM</b>	<b>BOOK F</b>		
05-9	<b>Retriever™ 6250 / SR 1800H</b>	<b>F</b>	<b>10.3.1</b>	<b>53</b>

Item	Ref. No.	Qty	Description
	56419584	1	LPG Assembly (items 1-6)
1	56418741	1	Pin, Locator
2	56418742	1	Cradle, LP Tank
3	56456590	1	L.P. Tank, 33lb.
4	56002098	5	Wsh, Flt SAE 1/4
5	56009018	5	Scr, Hex Thd Form 1/4-20 x .75
6	56419619	1	LP Filter Assembly (items 7-21)
7	56002615	1	Nut, Hex Jam 7/8-14
8	56369632	1	Elbow, 90 Street
9	56369675	1	Coupler, Female
10	56418381	1	Switch, N.C. Pressure
11	56418934	1	Fitting, Bulkhead
12	56456591	1	Hose Assy
13	56456598	1	Elbow, 45 Male 45 Flared
14	56456624	1	Vent 1/4 NPT
15	56496276	1	Clamp, Hose Support
16	56900921	1	Tee
17	56305505	1	Adapter, SAE 45 Deg.
18	56305999	1	Conduit
19	56419241	1	Dust Boot
20	56419620	1	Hose Assy
21	56456608	1	Elbow, Male 90

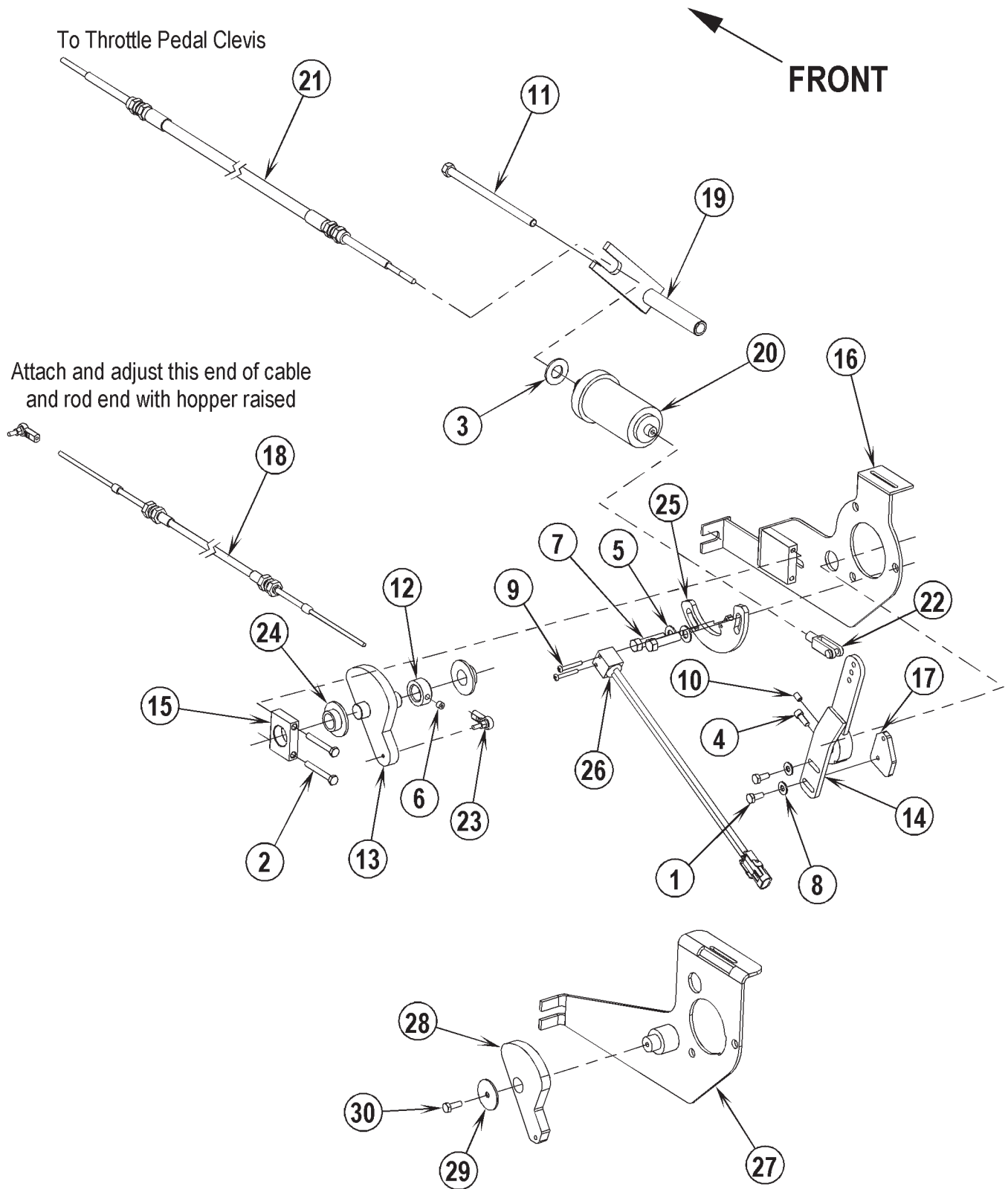




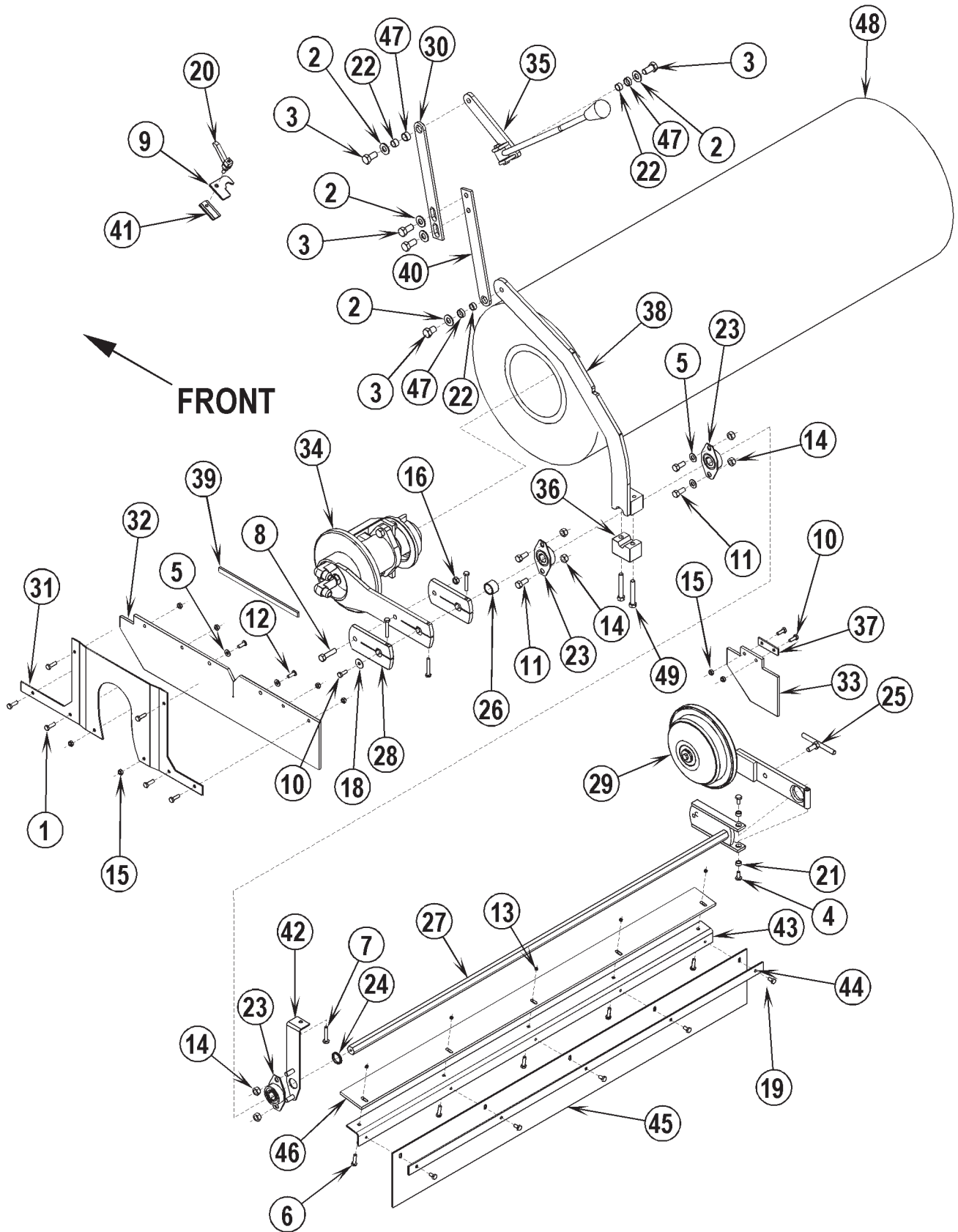
Item	Ref. No.	Qty	Description
1	56001939	4	Wsh, Flt SAE 5/16
2	56002043	4	Scr, Pan Phil 10-24 x .38
3	56002063	1	Wsh, Flt SAE 3/8
4	56002098	6	Wsh, Flt SAE 1/4
5	56002155	4	Scr, Hex Hd 1/4-20 x .75
6	56002701	2	Nut, Hex Nyl Loc 5/16-18
7	56002708	4	Nut, Hex Nyl Loc 1/4-20
8	56002721	2	Scr, Hex Hd 5/16-18 x 2.00
9	56002832	12	Nut, Hex Nyl Loc-Thin 10-24
10	56002841	2	Nut, Hex Nyl Loc-Thin 3/8-16
11	56009019	7	Scr, Hex Thd Form 1/4-20 x .38
12	56009029	4	Scr, Pan Phil Thd Form 10-24 x .50
13	56009030	15	Scr, Pan Phil Thd Form 10-24 x .38
14	56009033	18	Scr, Hex Thd Form 1/4-20 x .50
15	56009039	2	Scr, Hex Thd Form 10-24 x .50
16	56009100	12	Scr, Pan Phil Thd Form-Blk 10-24 x .62
17	56200754	6.5'	Gasket, Strip Raw
18	56300241	2	Bushing .33 x .50 x 1.30
19	56419265	1	Plate, Boot
20	56416247	2	Hopper Cover Hinge Weld't.
21	56419264	1	Boot, Hopper
22	56416365	2	Plate, Hinge
23	56416668	2	Bumper, Self-Adhesive
24	56416674	2	Filter Clamp Weld't.
25	56418086	2	Bracket, Headlight
26	56418172	1	Gasket, Litter Door
27	56418229	1	Litter Door Weld't.
28	56418245	1	Hopper Weld't.
29	56418255	1	Hood Prop Weld't.
30	56418294	1	Strap, Inside Blade
31	56418295	1	Blade, Inside
32	56418296	1	Strap, Dust Shield
33	56418297	1	Shield, Dust
34	56418373	2	Lens, Amber
35	56418453	1	Panel, Access
36	56418664	1	Cover
37	56418815	1	Gasket
38	56418827	1	Latch, Lift & Turn
39	56418842	1	Cover, Hopper
40	56418847	1	Latch Assy (#46-55)
41	56418862	1	Foam
42	56462746	2	Latch
43	56481543	2	Headlight
44	56486116	2	Grommet
45			<b>Intentionally Omitted</b>
46	56001836	2	Scr, Hex Hd 1/4-20 x .62
47	56002098	2	Wsh, Flt SAE 1/4
48	56002708	2	Nut, Hex Nyl Loc 1/4-20
49	56003039	2	Scr, Hex Hd Loc 1/4-20 x .50
50	56009063	4	Scr, Hex Thd Form 10-24 x .25
51	56418843	1	Bracket, Latch
52	56418844	1	Latch
53	56418845	1	Latch Pull
54	56418846	1	Strike, Latch
55	56755581	2"	Trim (5cm)
56	56419322	1	Grille Weldment
57	56418165	1	Switch, Waterproof (on SR 1800 after SN 1477900 & all Retriever 6250 models)
58	56419335	1	Bracket, Switch (on SR 1800 after SN 1477900 & all Retriever 6250 models)
59	56002834	2	Scr, Hex 10-24 x .38 (on SR 1800 after SN 1477900 & all Retriever 6250 models)



Item	Ref. No.	Qty	Description	Item	Ref. No.	Qty	Description
1	56001879	2	Wsh, Flt SAE 1/2	49	56449221	2	Bumper, 1.43 Dia.
2	56001968	2	Scr, Hex Hd 1/2-13 x 1.50	50	56001878	1	Scr, Hex Hd 1/4-20 x 1.25
3	56002063	4	Wsh, Flt SAE 3/8	51	56001987	2	Nut, Hex Machine 10-32
4	56002491	6	Nut, Hex Nyl Loc SS 1/4-20	52	56002098	1	Wsh, Flt SAE 1/4
5	56002843	2	Nut, Hex Nyl Loc-Thin 1/2-13	53	56002221	2	Scr, Hex Hd 5/16-18 x 1.00
6	56003029	4	Scr, Hex Hd Loc 3/8-16 x 1.25	54	56002701	2	Nut, Hex Nyl Loc 5/16-18
7	56003081	4	Scr, Soc Set Loc 3/8-16 x .38	55	56002708	1	Nut, Hex Nyl Loc 1/4-20
8	56003086	6	Scr, Flt Phil SS 1/4-20 x .88	56	56321559	1	Grommet
9	56003266	4	Ring, Ret Ext Type E .75 Dia.	57	56379298	1	Bushing
10	56009016	2	Nut, Hex Jam 1/2-13	58	56418152	1	Bracket
11	56009018	15	Scr, Hex Thd Form 1/4-20 x .75	59	56418154	1	Lever Weld't.
12	56009030	2	Scr, Pan Phil Thd Form 10-24 x .38	60	56418160	1	Rod
13	56009033	12	Scr, Hex Thd Form 1/4-20 x .50	61	56418889	1	Nut
14	56009132	1	Nut, Push Cap 1/4	62	56444502	1	Bearing, Flange
15	56106046	1	Pipe, Plug 1/8 Brass	63	56488290	1	Rod End
16	56302164	1	Bearing, Flange	64	56900041	1	Plug, Cap
17	56360627	2	Bushing	65	56002091	1	Scr, Hex Hd 3/8-16 x 2.00
18	56370878	2	Bearing, Sleeve				(on SR 1800, used after SN 1477900 & all 6250)
19	56409335	2	Bumper	66	56009085	2	Nut, Hex Jam 3/8-16
20	56409336	2	Pin				(on SR 1800, used after SN 1477900 & all 6250)
21	56416250	1	Hopper Prop	67	56462361	1	Conn, 2 Way Female
22	56416253	2	Hinge Weld't.	68	56323067	1	Strain Relief
23	56416308	1	Left Hinge Pin Weld't.	69	56418288	1	Strap, Horizontal Seal
24	56416309	2	Right Hinge Pin Weld't.	70	56418289	1	Seal, Horizontal
25	56416406	1	Strain Relief	71	56418292	1	Strap, Threshold
26	56418942	1	Strap, Side Blade	72	56418982	1	Skirt, Threshold
27	56418943	1	Strap, Side Blade	73	56418860	1	Foam
28	56416498	3	Collar, Hopper Hinge	74	56418861	1	Foam
29	56416535	1	Bearing, Sleeve	75	56418863	1	Foam
30	56416536	1	Bearing, Sleeve				
31	56416590	1	Rod, Pull				* = Not Shown
32	56416592	1	Guide, Pull Rod				
33	56418944	1	Blade, Litter Shield				
34	56418126	1	Panel, Hopper, Right				
35	56418127	1	Panel, Hopper, Left				
36	56418157	1	Switch Actuator Assy (#50-63) (only on SR 1800 before SN 1477901)				
37	56418245	1	Hopper Weld't.				
38	56419263	1	Dump Door Assy. (TSB 746, TSBUS2002-816, SR 1800 only) (only on SR 1800 before SN 1610505)				
*	56002491	6	Nut, Hex Nyl Loc SS 1/4-20				
*	56002897	6	Scr, Hex Hd SS 1/4-20 x 1.25				
*	56419258	1	Dump Door Weld't.				
*	56418283	1	Angle, Dump Door				
*	56418284	2	Blade, Dump Door				
39	56419442	1	Dump Door Assy. (items 40-48) (TSBUS2002-822, SR 1800 only) (SR 1800 after SN 1610504 & all Retriever 6250 models)				
40	56002491	12	Nut, Hex Nyl Loc SS 1/4-20				
41	56002859	6	Wsh, Flt SAE SS 1/4				
42	56002883	6	Scr, Hex Hd SS 1/4-20 x 1.00				
43	56002897	6	Scr, Hex Hd SS 1/4-20 x 1.25				
44	56418283	1	Angle, Dump Door				
45	56418284	2	Blade, Dump Door				
46	56419440	2	Wiper, Dump Door				
47	56419441	2	Strap				
48	56419443	1	Dump Door Weldment				

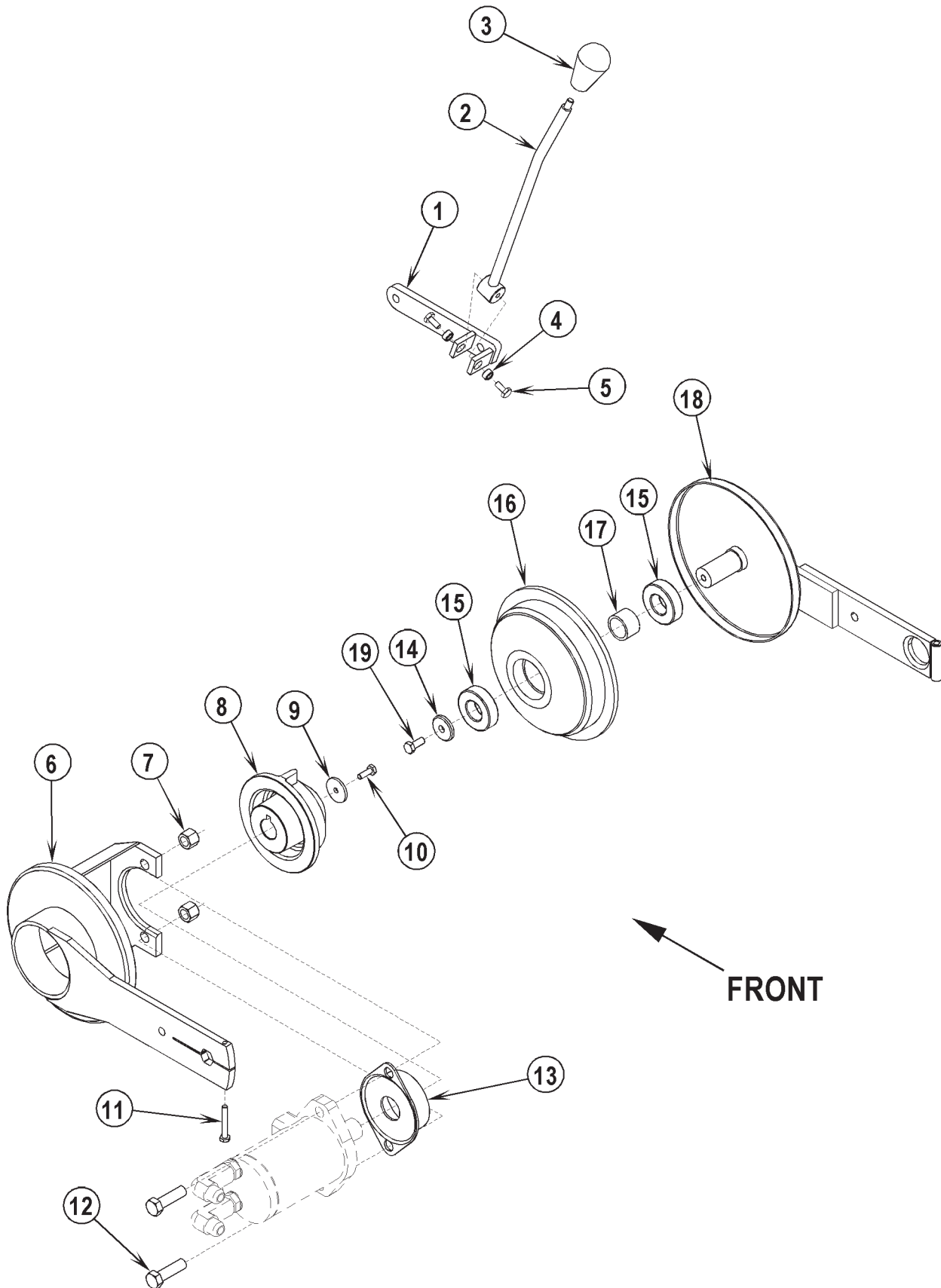


Item	Ref. No.	Qty	Description
	56418783	1	Linkage Assembly
1	56001836	2	Scr, Hex Hd 1/4-20 x .62
2	56001874	2	Scr, Hex Hd 1/4-20 x 2.00 (only on SR 1800 before SN 1477917)
3	56002022	1	Wsh, Flt SAE 5/8
4	56002032	1	Scr, Soc Hd 1/4-20 x .62
5	56002063	2	Wsh, Flt SAE 3/8
6	56002086	1	Scr, Soc Set Loc 5/16-18 x .25 (only on SR 1800 before SN 1477917)
7	56002095	2	Scr, Hex Hd 3/8-16 x 1.50
8	56002098	2	Wsh, Flt SAE 1/4
9	56002697	2	Scr, Pan Phil 8-32 x 1.25
10	56002930	1	Scr, Soc Set Loc 1/4-20 x .38
11	56003044	1	Scr, Hex Hd 3/8-16 x 6.50
12	56367095	1	Collar, Shaft (only on SR 1800 before SN 1477917)
13	56418178	1	Actuator Weld't. (only on SR 1800 before SN 1477917)
14	56418181	1	Arm Weld't.
15	56418184	1	Pivot, Actuator (only on SR 1800 before SN 1477917)
16	56418612	1	Interlock Bracket Weld't. (only on SR 1800 before SN 1477917)
17	56418613	1	Plate, Cam
18	56418615	1	Cable, Push / Pull
19	56418892	1	Bracket Weld't.
20	56482539	1	Hydroback
21	56482540	1	Cable, Control
22	56482542	1	Clevis Assembly
23	56488290	2	Rod End
24	56491648	2	Bearing, Flange (only on SR 1800 before SN 1477917)
25	56418966	1	Mount, Neutral Start Switch
26	56460005	1	Sealed Ball Switch Assy (Neutral Start Switch)
27	56419340	1	Interlock Bracket Weldment (on SR 1800, used after SN 1477916 & all Retriever 6250 models)
28	56419337	1	Cam, Nylon (on SR 1800, used after SN 1477916 & all Retriever 6250 models)
29	56009225	1	Washer, Fender (on SR 1800, used after SN 1477916 & all Retriever 6250 models)
30	56002948	1	Scr Hex Loc 1/4-20 x .75 (on SR 1800, used after SN 1477916 & all Retriever 6250 models)



Item	Ref. No.	Qty	Description
1	56001821	6	Scr, Hex Hd 1/4-20 x .88
2	56001879	5	Wsh, Flt SAE 1/2
3	56001996	5	Scr, Hex Hd 1/2-13 x .75
4	56002035	2	Scr, Hex Hd 5/16-18 x .62
5	56002063	4	Wsh, Flt SAE 3/8
6	56002093	5	Scr, Hex Hd 1/4-20 x 1.00
7	56002094	1	Scr, Hex Hd 5/16-18 x 1.50
8	56002095	1	Scr, Hex Hd 3/8-16 x 1.50
9	56418906	1	Stop, Broom
10	56002155	3	Scr, Hex Hd 1/4-20 x .75
11	56002271	4	Scr, Hex Hd 3/8-16 x .88
12	56002711	2	Scr, Flt Phil 1/4-20 x .88
13	56002708	5	Nut, Hex Nyl Loc 1/4-20
14	56002769	6	Nut, Hex Nyl Loc 3/8-16
15	56002840	8	Nut, Hex Nyl Loc-Thin 1/4-20
16	56002841	1	Nut, Hex Nyl Loc-Thin 3/8-16
17	56003484	2	Scr, Hex Grd 8 1/4-20 x 1.75
18	56009060	1	Wsh, Flt SS .260 x 1.00 x .074
19	56009033	5	Scr, Hex Thd Form 1/4-20 x .50
20	56416597	1	Handle, Adjustable
21	56320595	2	Bushing .32 x .50 x .28
22	56365030	3	Bushing .50 x .62 x .27
23	56416086	3	Bearing, Hex Flange
24	56416377	1	Spacer, Shaft
25	56416382	1	Broom Arm Nut Weldment
26	56418049	1	Spacer, Shaft
27	56418050	1	Right Hex Arm Weldment
28	56418055	2	Arm, Hex Broom
29	56418056	1	Idler Hub Assembly <b>(see Main Broom System-2)</b>
30	56418061	1	Link, Lift
31	56418062	1	Plate, Left Access
32	56418063	1	Skirt, Left
33	56418121	1	Skirt, Broom Housing
34	56418194	1	Drive Lug Assembly <b>(see Main Broom System-2)</b>
35	56418308	1	Lift Lever Assembly <b>(see Main Broom System-2)</b>
36	56418701	1	Block, Hex Clamp
37	56418376	1	Strap, Right Broom Housing
38	56418687	1	Lift Link Weldment
39	56418438	1	Gasket, RS Strip
40	56418554	1	Link, Lift
41	56416411	1	Stop, Broom
42	56418650	1	Broom Adjuster Weldment
43	56462157	1	Support, Blade
44	56462158	1	Strap, Blade
45	56462159	1	Blade, Broom Housing
46	56462160	1	Blade, Internal Broom Housing
47	56478781	3	Bearing, Sleeve
48	56505240	1	Broom, Main, Proex / Wire
**	56505071	1	Broom, Main, Polypropylene
**	56505207	1	Broom, Main, Proex / Wire, 12 Row
**	56505210	1	Broom, Main, Nylon
**	56505209	1	Broom, Main, Proex, 12 Row
**	56505208	1	Broom, Main, Polypropylene / Wire
**	56505211	1	Broom, Main, Proex
49	56001873	2	Scr, Hex Hd 3/8-16 x 2.50

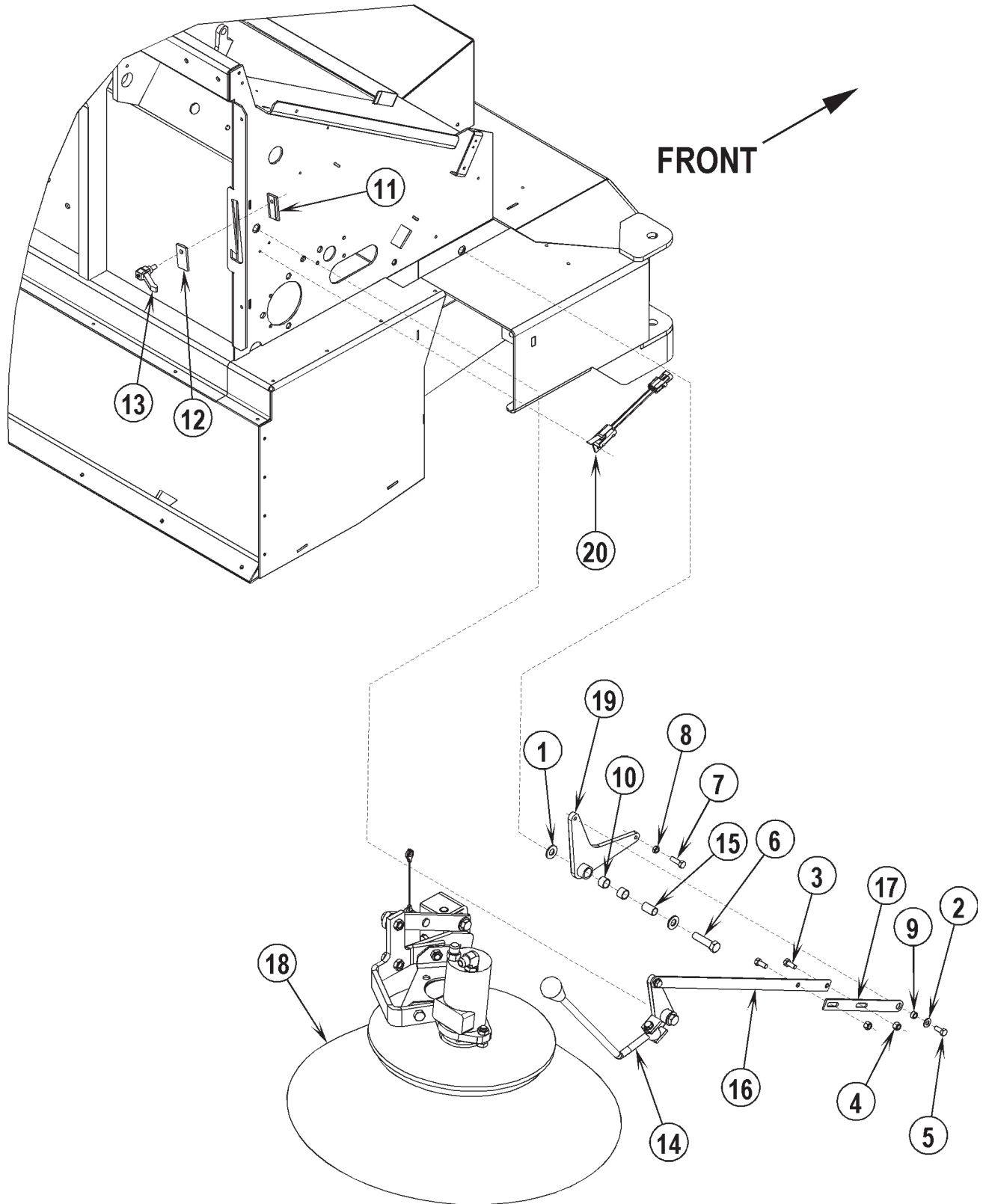
\*\* = Optional



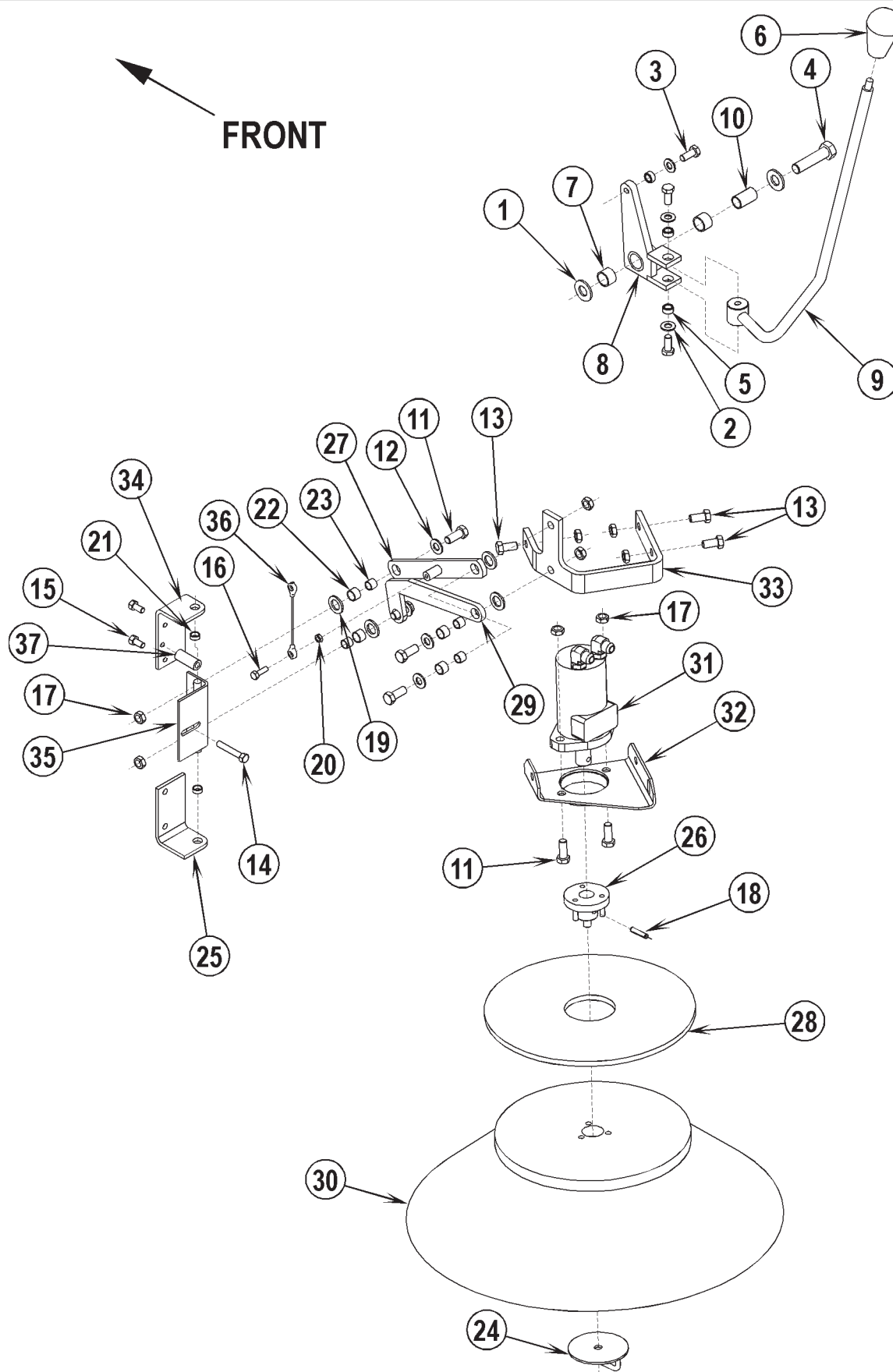


Item	Ref. No.	Qty	Description
	56418308	1	Lift Lever Assembly (#1-5)
1	56418301	1	Lever Weldment
2	56487929	1	Lever Weldment
3	56364527	1	Knob
4	56320595	2	Bushing .32 x .50 x .28
5	56002035	2	Scr, Hex Hd 5/16-18 x .62
	56418194	1	Drive Lug Assembly (#6-13)
6	56418052	1	Left Side Arm Weldment
7	56002770	2	Nut, Hex Nyl Loc 1/2-13
8	56477762	1	Hub, Driver
9	56009199	1	Wsh, Flt Brass .26 x 1.25 x .12
10	56002155	1	Scr, Hex Hd 1/4-20 x .75
11	56003484	1	Scr, Hex Grd 8 1/4-20 x 1.75
12	56001995	2	Scr, Hex Hd 1/2-13 x 1.75
13	56455997	1	Broom Motor Seal Guard
	56418056	1	Idler Hub Assembly (#14-19)
14	56358959	1	Washer, Flat
15	56479430	2	Bearing, Ball
16	56493845	1	Hub, Idler
17	56479434	1	Bushing
18	56418057	1	Idler Arm Weldment
19	56002956	1	Scr, Hex Hd Loc 5/16-18 x .75

\* = Not Shown



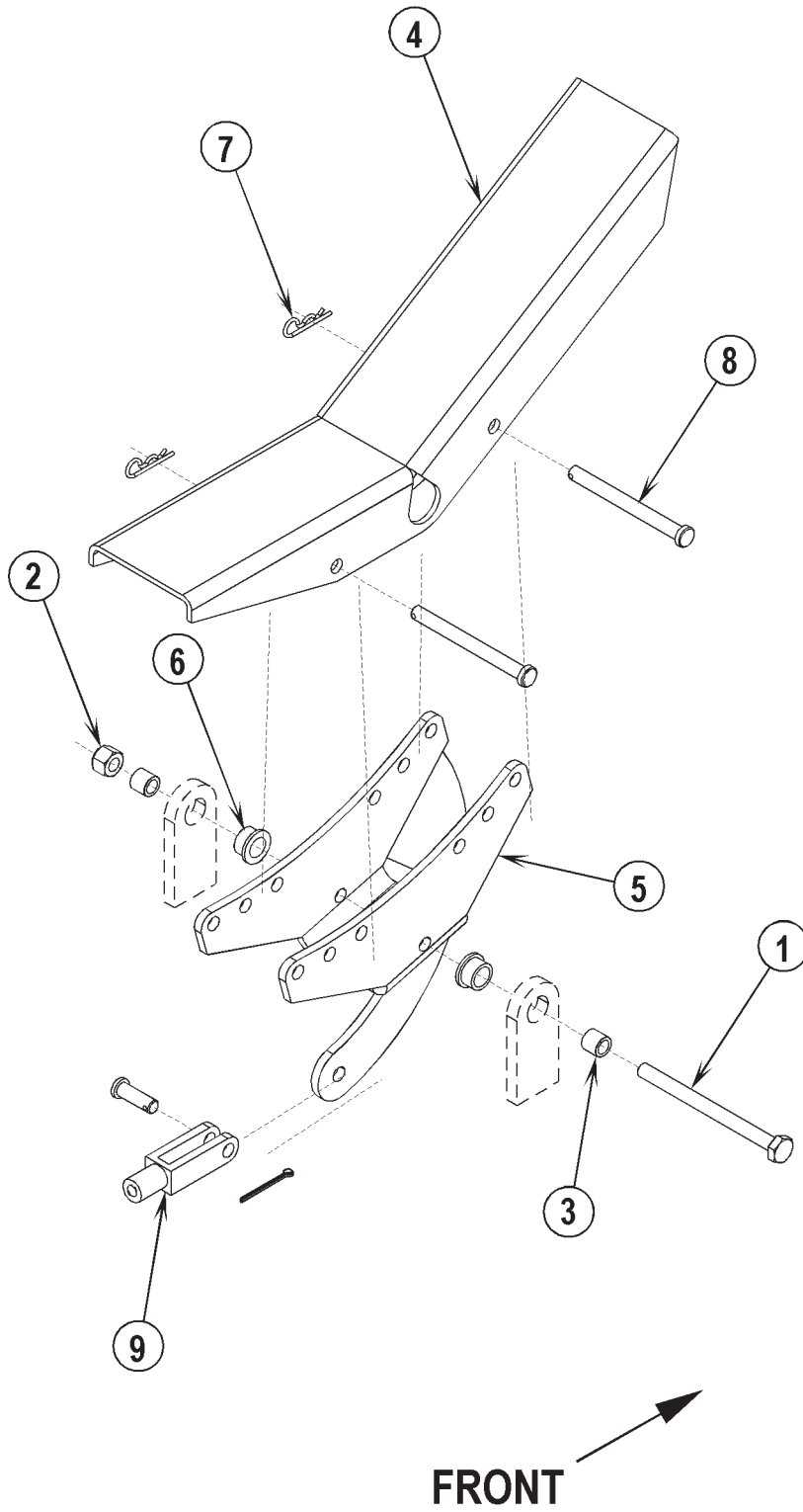
Item	Ref. No.	Qty	Description
1	56001879	2	Wsh, Flt SAE 1/2
2	56001939	1	Wsh, Flt SAE 5/16
3	56002667	2	Scr, Hex Hd 5/16-18 x .75
4	56002701	2	Nut, Hex Nyl Loc 5/16-18
5	56002956	1	Scr, Hex Hd Loc 5/16-18 x .75
6	56002983	1	Scr, Hex Hd 1/2-13 x 2.00
7	56003073	1	Scr, Hex Hd Loc 5/16-18 x 1.00
8	56009086	1	Nut, Hex Jam 5/16-18
9	56320595	1	Bushing, .32 x .50 x .28
10	56367168	2	Bearing, Sleeve
11	56416411	1	Stop, Broom
12	56416412	1	Stop, Broom
13	56416597	1	Handle, Adjustable
14	56418252	1	Side Broom Lift Lever Assy (see Side Broom System-2)
15	56418738	1	Bushing, .52 x .62 x 1.06
16	56418908	1	Linkage
17	56418909	1	Linkage
18	56419021	1	Side Broom Assy (see Side Broom System-2)
19	56419028	1	Lever Weld't.
20	56372088	1	Switch, Side Broom



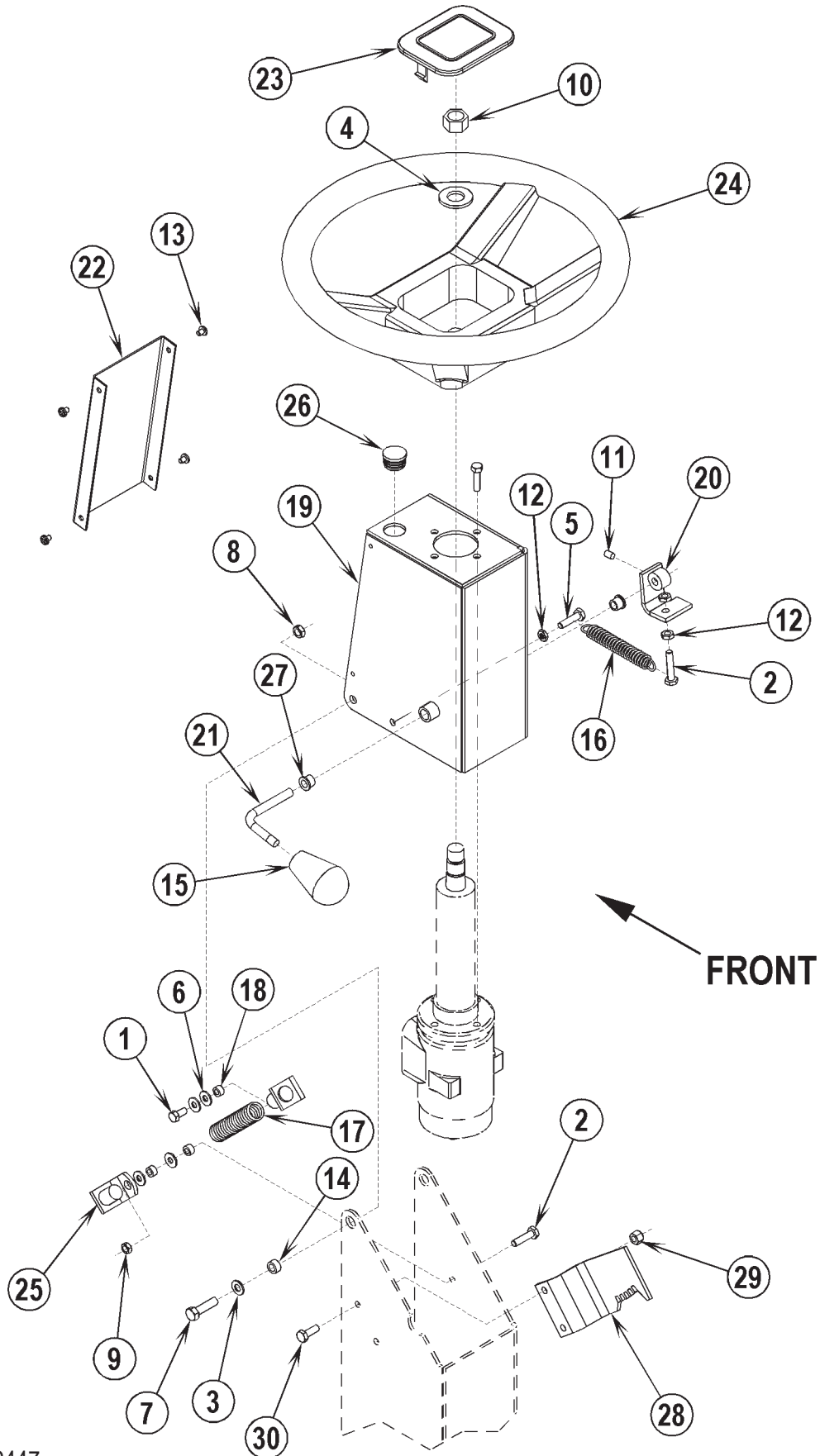
Item	Ref. No.	Qty	Description
	56418252	1	Side Broom Lift Lever Assy (#1-10)
1	56001879	2	Wsh, Flt SAE 1/2
2	56001939	3	Wsh, Flt SAE 5/16
3	56002956	3	Scr, Hex Hd Loc 5/16-18 x .75
4	56002983	1	Scr, Hex Hd 1/2-13 x 2.00
5	56320595	3	Bushing, .32 x .50 x .28
6	56364527	1	Knob
7	56367168	2	Bearing, Sleeve
8	56418240	1	Lever Weldment
9	56418241	1	Lever Weldment
10	56418738	1	Bushing, .52 x .62 x 1.06
	56419021	1	Side Broom Assy (#11-37)
11	56001831	6	Scr, Hex Hd 1/2-13 x 1.25
12	56001879	5	Wsh, Flt SAE 1/2
13	56001895	3	Scr, Hex Hd 1/2-13 x 1.00
14	56002058	1	Scr, Hex Hd 3/8-16 x 2.25
15	56002127	2	Scr, Hex Hd 3/8-16 x .75
16	56002221	1	Scr, Hex Hd 5/16-18 x 1.00
17	56002843	9	Nut, Hex Nyl Loc-Thin 1/2-13
18	56003494	1	Pin, Spr. .31 x 1.38
19	56009022	4	Wsh, Flt .75 x 1.25 x .12
20	56009086	1	Nut, Hex Jam 5/16-18
21	56185263	2	Bearing, Sleeve
22	56367168	4	Bearing, Sleeve
23	56367206	4	Bushing
24	56418528	1	Thumb Nut Weldment
25	56418541	1	Lower Bracket, Side Broom
26	56418543	1	Side Broom Hub Assembly
27	56418652	1	Side Broom Arm Weldment
28	56418670	1	Guard, Side Broom
29	56418684	1	Arm, Side Broom, Lower
30	56477812	1	Broom, Side H. Duty
**	56418837	1	Broom, Side, Nylon
**	56418838	1	Broom, Side, Wire
31	56418977	1	Side Broom Motor Assembly
*	56418976	1	Motor, Side Broom
*	56900104	2	Elbow, 90 O-Ring
32	56419019	1	Motor Bracket Weldment
33	56419022	1	Bracket, Side Broom
34	56419023	1	Upper Bracket, Side Broom
35	56419024	1	Side Broom Pivot Weldment
36	56419027	1	Cable, Side Broom
37	56761327	1	Spring, Comp.

\* = Not Shown

\*\* = Optional



Item	Ref. No.	Qty	Description
	56418113	1	Throttle Pedal Assembly
1	56001817	1	Scr, Hex Hd 1/4-20 x 3.25
2	56002708	1	Nut, Hex Nyl Loc 1/4-20
3	56151106	2	Bushing
4	56418112	1	Pedal Weldment
5	56418118	1	Pedal Weldment
6	56418162	2	Bearing, Flange
7	56003530	2	Cotter, Hair Pin
8	56003531	2	Clevis Pin .25 x 2.75
9	56482542	1	Clevis Assembly





Item	Ref. No.	Qty	Description
	56418377	1	Tilt Steering Assembly
1	56001854	1	Scr, Hex Hd 1/4-20 x .50
2	56001878	2	Scr, Hex Hd 1/4-20 x 1.25
3	56001939	2	Wsh, Flt SAE 5/16
4	56002022	1	Wsh, Flt SAE 5/8
5	56002093	1	Scr, Hex Hd 1/4-20 x 1.00
6	56002098	4	Wsh, Flt SAE 1/4
7	56002221	2	Scr, Hex Hd 5/16-18 x 1.00
8	56002701	2	Nut, Hex Nyl Loc 5/16-18
9	56002840	1	Nut, Hex Nyl Loc-Thin 1/4-20
10	56003440	1	Nut, Steering Wheel
11	56009076	1	Scr, Soc Set Loc
12	56009087	3	Nut, Hex Jam 1/4-20
13	56009109	4	Scr, Pan Phil Thd Form 10-24 x .25
14	56320595	2	Bushing, .32 x .50 x .28
15	56364527	1	Knob
16	56365068	1	Spring, Ext.
17	56372129	1	Spring, Comp.
18	56379298	3	Bushing
19	56418394	1	Steering Bracket Weldment
20	56418400	1	Pawl Weldment
21	56418401	1	Lever, Steering Lock
22	56418402	1	Cover, Steering Hoses
23	56418459	1	Cap, Steering Wheel
24	56418460	1	Steering Wheel
25	56418654	2	Spring Bracket Weldment
26	56418674	1	Plug, Plastic
27	56444502	2	Bearing, Flange
28	56418031	1	Latch, Adjustable Steering
29	56002708	2	Nut, Hex Nyl Loc 1/4-20
30	56002155	2	Scr, Hex Hd 1/4-20 x .75

Part #	Part Description	Qty	Class	Model Notes
56418814	Machine Wear Pack Kit	1	W	* Items included in Kit
	<b>Hopper System</b>			
56418982	*Skirt, Sweeping Threshold (.187)	1	W	Std
56418293	Skirt, Sweeping Threshold (.125)	1	W	Optional
56418284	*Blade, Dump Door	2	W	
56418815	*Gasket, Hopper Cover	1	OM	
56418172	*Gasket, Litter Door	1	OM	
56482305	*Filter Panel, Dust Control	1	W	
56418289	Hopper Seal, Top Horizontal	1	W	
56418944	Blade, Litter Shield	1	W	
56418295	Inside Blade, Hopper	1	OM	
56418297	Shield, Dust	1	W	
56419440	*Blade (side of Dump Door)	2	W	
	<b>Broom System</b>			
56505240	*Main Broom, Proex STD	1	W	
56477812	*Side Broom, STD	1	W	
56418063	*Left Skirt, Broom Housing	1	W	
56418070	*Skirt, Right Door	1	W	
56418121	*Right Skirt, Broom Housing	1	W	
56462159	*Rear Blade, broom Housing	1	W	
56462160	*Internal Blade, Broom Housing	1	W	
56418469	Skirt, Left Door	2	W	
56419126	Blade	2	W	
	<b>Engine</b>			
56482028	*Air Cleaner Filter, Primary	1	OM	
56482029	*Air Cleaner Filter, Safety	1	OM	
56419086	Fuel Filter Cartridge	1	OM	Diesel
56482659	Oil Filter, Engine	1	OM	Diesel
56305272	Oil Filter, Engine	1	OM	Petrol/LPG
56305412	Fuel Filter	1	OM	Petrol
56305410	Fuel Filter	1	OM	LPG
56418718	Engine, Cooling Fan	1	EM	

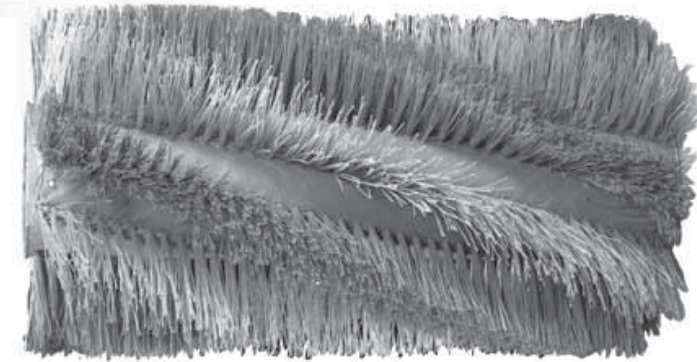
Part #	Part Description	Qty	Class	Model Notes
	<b>Chassis</b>			
56418075	Tire Assembly, Front (2 total)	1	OM	
56003384	Lug Nut (for 56418075)	5	EM	
56419374	Tire Assembly, Rear (1 total)	1	OM	
56009116	Lug Nut (for 56419374)	5	OM	
56418471	Latch, Door (non-locking)	1	EM	
	<b>Hydraulic</b>			
56419083	Hydraulic Oil Filter	1	OM	Main Reservoir
56419254	Hydraulic Oil Filter Cartridge	1	OM	Used on Propulsion Pump
56418825	Seal Kit, Propulsion Pump	1	EM	
56418987	Seal Kit, Accessory Pump	1	EM	
56418833	Seal Kit, Wheel Drive Motor	1	EM	
56479577	Seal Kit, Main Broom Motor	1	EM	
56479577	Seal Kit, Side Broom Motor	1	EM	
56419178	Seal Kit, Impeller motor	1	EM	
	<b>Electrical</b>			
56460005	Neutral Safety Start Switch	1	EM	
56372088	Switch, Main & Side Broom	2	EM	
56418387	Relay, Hopper Door Light	1	EM	
56491862	Relay, Shaker motor/Accessories	1	EM	
56324272	Switch, Rocker (shaker/dust)	1	EM	
56393312	Switch, Rocker (headlight)	1	EM	
56455820	Switch, Rocker (engine speed)	1	EM	Petrol/LPG
56418165	Switch, Interlock (hopper/dump door)	2	EM	New style two switches
56305409	Solenoid, Fuel Lock-Off		EM	LPG
	<b>Miscellaneous</b>			
56418528	Thumb Nut Weldt, Side Broom	1	EM	
56419123	Replacement Key (for PN 56418685)	1	EM	Used on Petrol/LPG models only
56482692	Replacement Key (for PN 56497754)	1	EM	Used on Diesel models only
56043059	6250 / SR 1800H Service manual	1	OM	• SR 1800H & 6250 models

## Class

W = Normal Wear Part

OM = Ordinary Maintenance

EM = Extra-Ordinary Maintenance



**Main Broom:**

**PN56505240 Proex & Wire (STD.) (8 Double Rows)**

This broom has a more aggressive cleaning action, used to pick up heavier debris.

**PN56505207 Proex & Wire (Optional) (12 D-Rows)**

**PN56505071 Polypropylene (Optional) (8 D-Rows)**

A top quality synthetic fiber. This filament is made for a wide variety of applications. Retains its stiffness when wet and resists abrasive chemicals, solvents and oils. A general purpose material offering high performance for a wide range of applications.

**PN56505210 Nylon (Optional) (8 D-Rows)**

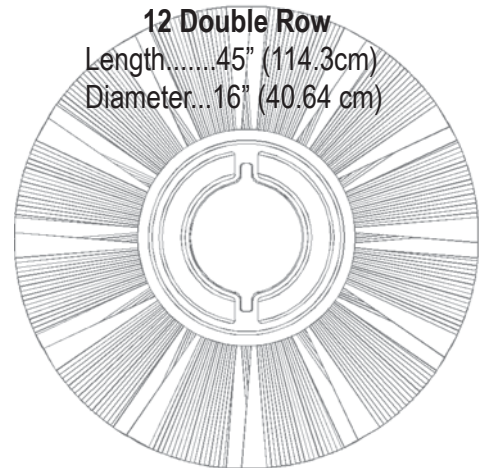
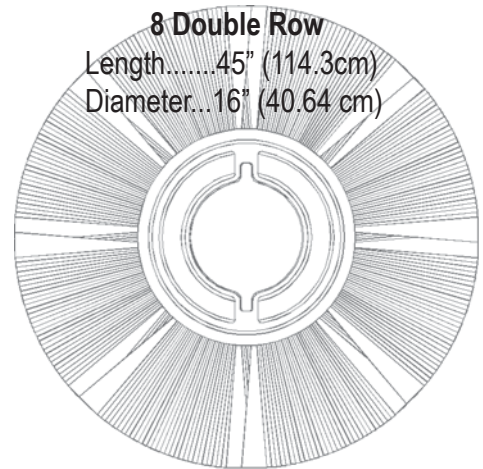
General purpose broom that can be used for all types of light soil. High wear material so uneven surfaces do not cause excessive wear. Nylon has a high heat deflection temperature, is chemical resistant and will absorb water in wet conditions. Truly a general purpose broom.

**PN56505209 Proex (Optional) (12 Double Rows)**

**PN56505211 Proex (Optional) (8 Double Rows)**

Synthetic fiber made of polypropylene designed to pick up paper, gravel, sand and other lighter less bulky litter.

**PN56505208 Poly/Wire (Optional) (8 Double Rows)**



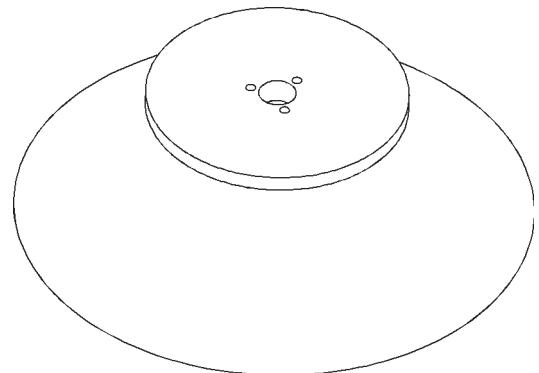
**Side Broom:**

**PN56477812 Polypropylene (STD.)**

The side broom function is to sweep the dirt and debris away from the curb, wall, pallet, etc. into the path of the main broom.

**PN56418837 Nylon (Optional)**

**PN56418838 Wire (Optional)**



Diameter...25" (63.5 cm)







