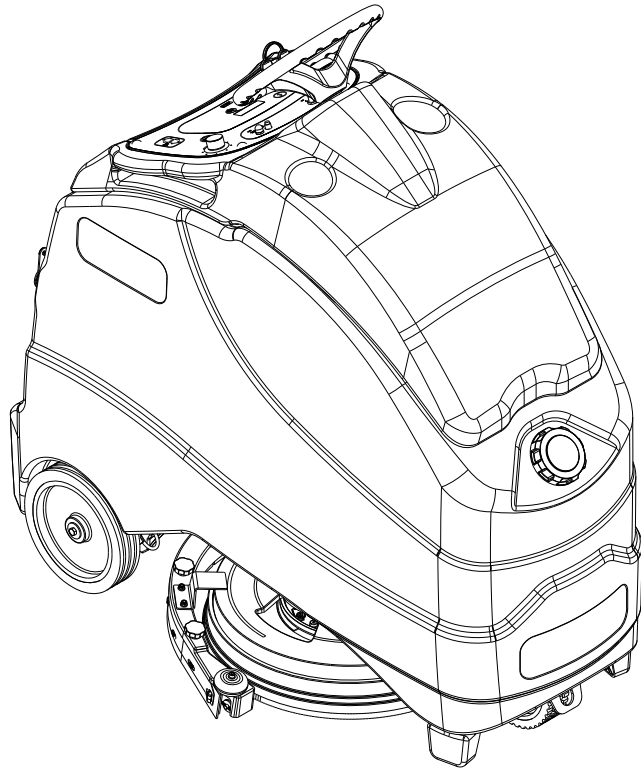
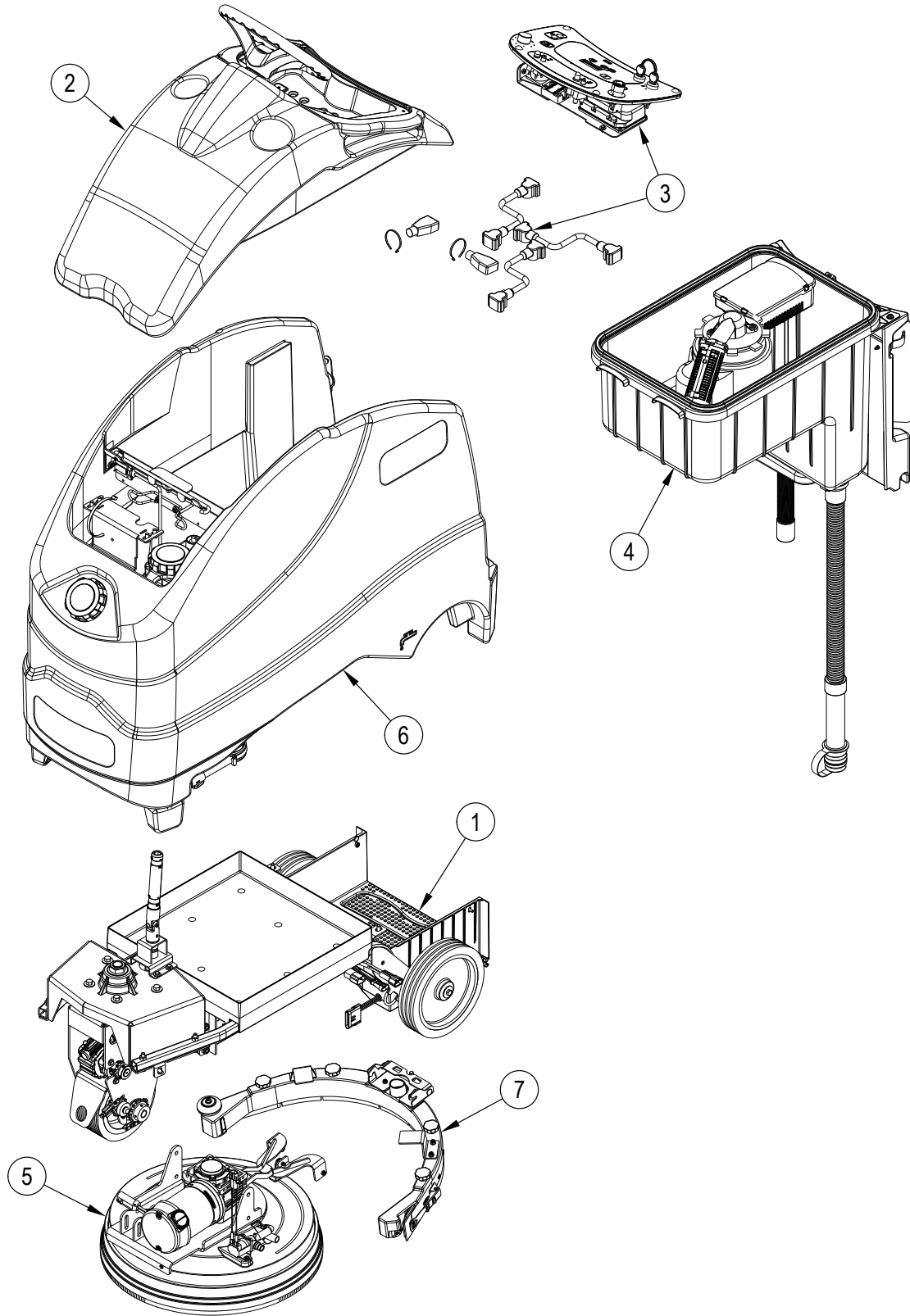

Clarke®

SA40



Parts List
Model: 56104487

GENERAL VIEW



Item	Ref. No.	Qty	Description
1		1	Chassis System
2		1	Control System
3		1	Electrical System
4		1	Recovery System

Item	Ref. No.	Qty	Description
5		1	Scrub System-20D
6		1	Solution System
7		1	Squeegee Assy

TABLE OF CONTENTS

DESCRIPTION	PAGE
Chassis System	2-3
Drive Wheel Assembly	4-5
Platform Assembly	6-7
Control System	8-9
Decal System.....	10-11
Electrical System	12-13
Recovery System.....	14-15
Scrub System-20D.....	16-17
Solution System.....	18-19
Squeegee System	20-21
Ladder Diagram-1	22-23
Ladder Diagram-2.....	24-25
Optional Kits and Accessories	26
Recommended Spare Parts	27-28
Brush Selector Guide	29
Squeegee Blade Selector Guide	30

WHEN ORDERING PARTS

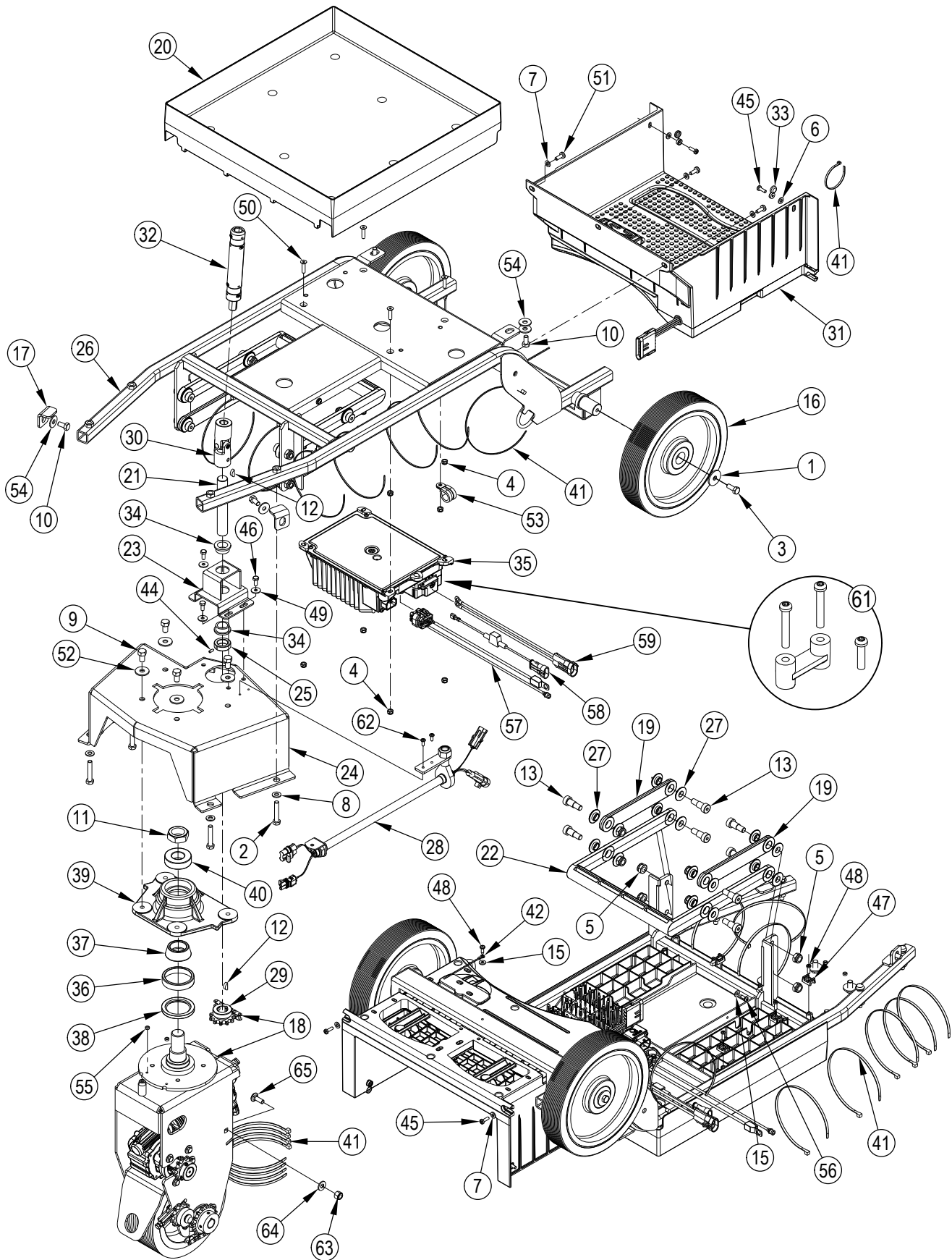
- * Use the part numbers from the “Ref. No.” columns in this parts list. If the “Ref. No.” column is blank; look under the “Kit” column to identify which kit contains the part in question, then use the kit callout, for example “K1”, to find the “Ref. No.” for that kit.
- * Specify the model number and serial number of the machine.

Kit	Item	Ref. No.	Qty	Description
K1	1		16	Washer Flat 3/16 Zinc Plat
K1	2		2	Screw-BHS-Brass-10-32x3/8-MS
K1	3		3	Washer EPDM 7/32 X 1/8
	4	805	1	Chain-Cover
	5	905	2	Caster Swivel 4 Gray Non MA
K1	6		2	Nut, Hex Nyl Loc 10-24
K1	7		3	Scr- Hex SS 1/4-20 X .75
K1	8		16	Scr, Hex Hd Loc 1/4-20 x .50
K1	9		3	Wsh, Flt SS .260 X 1.000 X .074
	10	56113012	1	Solution Tank
	11	56113034	2	Hinge Plate
K1		56113103	1	Kit-Hardware Solution Tank

- * Use the space below to record the model number and serial number for future reference.

Model No. _____ Serial No. _____

CHASSIS SYSTEM



CHASSIS SYSTEM

Kit	Item	Ref. No.	Qty	Description
K2,K4	1		2	Washer Flat XI 9.0 x 32.0 x 2.5
K4	2		4	Screw, Hex Hd M8 x 45-
K2,K4	3		2	Screw, Hex Thd To Hd M8 x 20 SS
K4	4		9	Nut, Hex Nyl Loc Thin M6
K4	5#		8	Nut, M10-1.5 Nylock
	6			Intentionally Omitted
K4	7		7	Washer, Flat 6.4 X 12.5
K4	8		4	Washer, Flat 8.4 X 16 X 1.6
K4	9		4	Scr-Hex Hd Loc 3/8-16 x .62
K4	10		4	Scr-Hex M8-1.25 X 16MM
K3	11		1	Nut, Hex Nyl Loc-Thin 1-14
K4	12		2	Key-Wdf 5MM X 6.5MM X 16MM
K4	13#		8	Scr-Soc-Shd-M12X20MM-M10 THD
K4	15		2	Wsh, Int Shprf #10
K2	16		2	Wheel
	17	56104091	2	Mounting Tab
	18		1	Drive Wheel Assembly
	19	56104094	2	Bar Linkage
	20	56104105	1	Battery Tray
	21	56104130	1	Steering Shaft
	22	56104135	1	Link Bar
	23	56104148	1	Steering Shaft Weldt
	24	56104151	1	Spindle Mount Weldment
	25	56104157	1	Collar
	26	56104448	1	Chassis Weldment
K4	27		16	Bushing Link Arm
K5	[28]		1	Harness-Drive Motor Kit
	29	56104269	1	Sprocket-11 Tooth
K1	30		1	Universal Joint
	31		1	Platform Assembly
	32	56104319	1	Tube-Steering Assembly
K4	33		2	Screw Cap
	34	56104267	2	Bearing Flange
	35	56383856	1	Charger-Onboard 24VDC 650W (E2) NOTE 1

SERVICE KITS

K1	56104328	1	Universal Joint Kit
K2	56104331	1	Rear Wheel Kit
K3	56104332	1	Bearing Block Kit
K4	56104333	1	Chassis Hardware Kit
K5	56385136	1	Harness-Drive Motor Kit

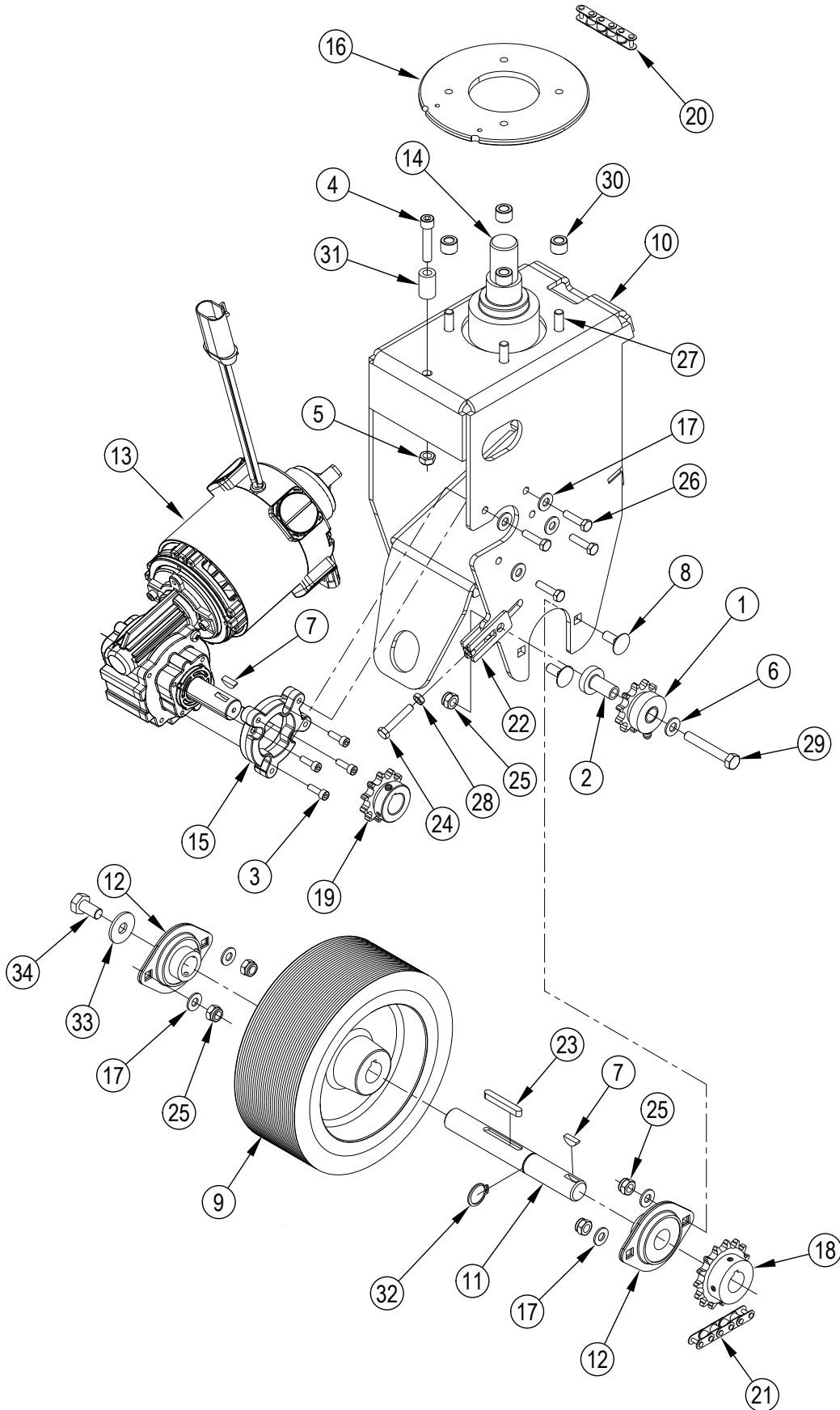
[] = Not Shown

= Revised or new since last update

NOTE 1 = The onboard battery charger 56112544 has been replaced in production by 56383856. If you need to replace 56112544 please order Onboard Charger Kit 56383872.

Kit	Item	Ref. No.	Qty	Description
K3	36		1	Bearing Cup
K3	37		1	Bearing Cone
K3	38		1	Seal, Shaft
	39	56314032	1	Block, Bearing
K3	40		1	Bearing Ball
K4	41#		13	Tie, 8" Black
K4	42		1	Chain - Ball
K4	44		1	Screw Grub M5 x 10 Uni5929
K4	45		4	Scr, Pan Phil M5 x 16
K4	46		3	Screw M6x14 Hex Hd F/Thd ISO4017
K4	47		5	Flat Tie Holder
K4	48		5	Thread Rolling Scr 5 X 16
K4	49		3	Washer, Flat XI
K4	50		4	Screw Flat Socket Head M6 x 25.0
K4	51#		3	Scr-Pan Phil M6-1 X 16MM
K4	52		4	Washer, Flat XI 9.5 X 27 X 2.5
	53	9095516000	1	Clamp 18
K4	54#		6	Washer Flat XI Uni-6593 8 x 24
	55	9099196000	2	Spacer 5.5 X 8 X 3
K4	56		2	Scr 4.8 X 16 UNI6954 Thd Form
	57	56383857	1	Indicator-Charge Led W/Temp
	58	56383587	1	Adapter-Interlock Pin 1
	59	56383586	1	Adapter-Charger Delta-Q Power
	60			Intentionally Omitted
	61	56384043	1	Strain Relief Kit
K5	62		2	Scr Pan Phil 10-24 X .50
K5	63		1	Nut-Hex Nyl Loc SS.25-20
K5	64		1	Wsh-Ext-Ser-SS-.25
K5	65		2	Scr-Carr-SS-1/4-20X.675
K5	66		1	15.35 in Cable Tie Black Nylon

DRIVE WHEEL ASSEMBLY



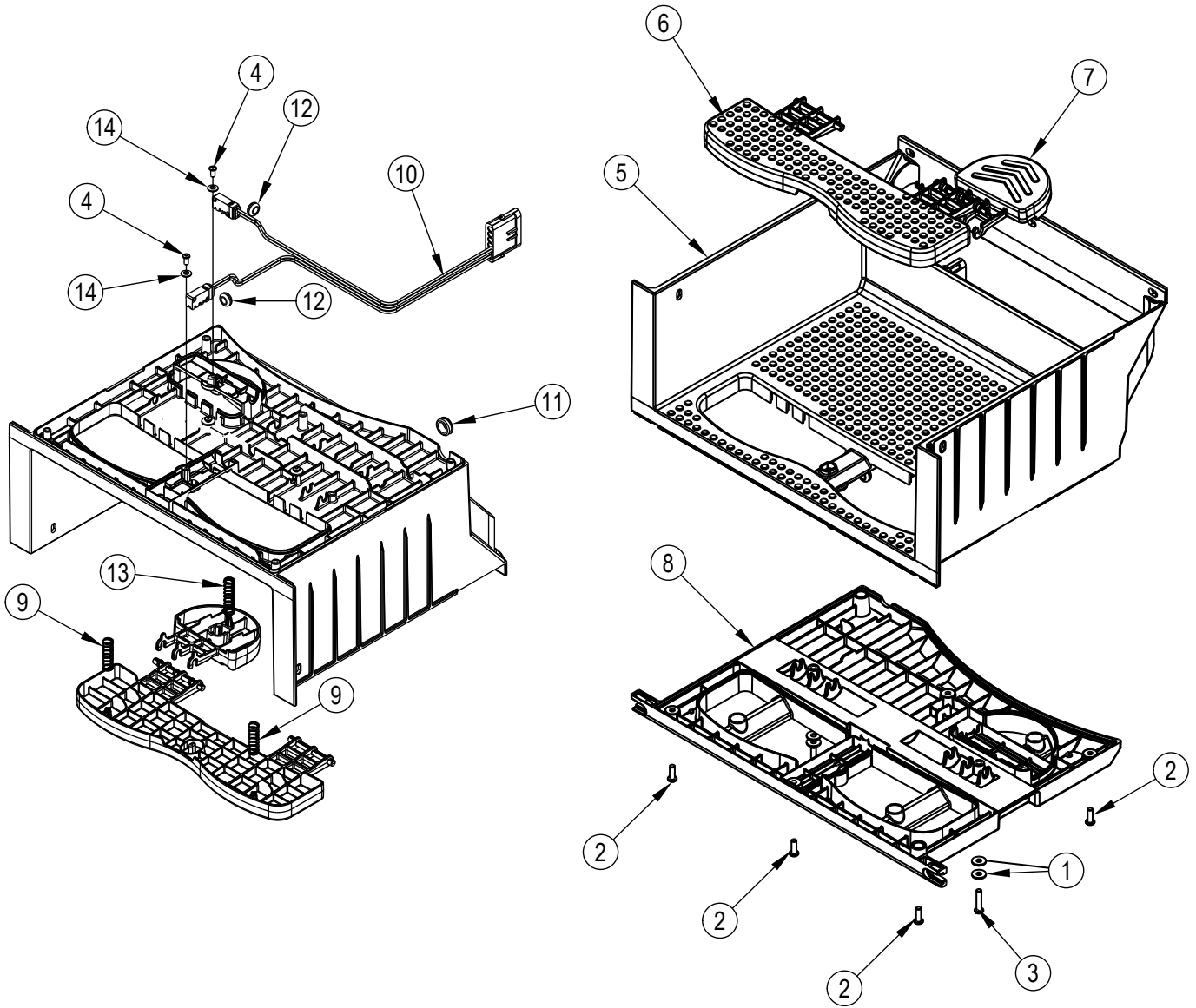
DRIVE WHEEL ASSEMBLY

Kit	Item	Ref. No.	Qty	Description
			1	Drive Wheel Assembly
K7	1		1	Sprocket Assy
K7,K8	2		1	Bushing, Flanged
K5,K8	3		4	Viti Tcei/Scr, Soc Hd
K8	4		1	Scr-Soc Hd 5/16-18 X 1.50
K8	5		1	Nut, Hex Nyl Loc-Thin 5/16-18
K7,K8	6		1	Wsh-Flt Sae Ss 5/16
K5,K6,K7	7		2	Key-Wdf 5mmx6.5mmx16mm
K6,K8,K9	8		4	Scr-Carriage Ss M8-1.25 X 20mm
K6	9		1	Drive Wheel
	10	56104793	1	Drive Wheel Frame Weldment
K6	11		1	Axle
K6,K9	12		2	Axle Bearing
K5	13		1	Drive Wheel Motor (M1)
	*	56384100	1	Electromagnetic Brake Kit NOTE 1
	14	56104077	1	Spindle Weldt
K5	15		1	Spacer
	16	56104115	1	Steering Plate
K5,K6,K8,K9	17		8	Washer, Flat 8x17x1.6 SS
K7	18		1	Sprocket-15 Tooth
K7	19		1	Sprocket-11 Tooth
	20	56104270	1	Chain-Roller
K7	21		1	Chain-Roller
K7	22		1	Weld't-Idler Adjust
K6	23		1	Key, 6mm Sq
K7,K8	24		1	Screw, Hex Thd To Hd M6x35 SS
K5,K6,K8,K9	25		5	Nut, Hex Nyl Loc Thin M8 SS
K5,K6,K8	26		4	Screw, Hex Thd To Hd M6x25 SS
K8	27		4	Screw, Hex Thd To Hd M8x30 SS
K7,K8	28		1	Nut, Hex M6 SS
K7,K8	29		1	Screw, Hex Thd To Hd M8x55 SS
K8	30		4	Spacer
K8	31		1	Spacer
K6	32	33006059	1	Ring D 20 UNI7435
K6	33	56003959	1	Wsh-Flt A2 DIN9021 10.5X30X2.5
K6	34	56003533	1	Scr Hex SS M10-1.50X20MM
SERVICE KITS				
	K5	56104336	1	Drive Wheel Motor Kit
	K6	56104338	1	Wheel And Bearing Kit
	K7	56104435	1	Sprocket And Chain Kit (used with 56104431)
	K8	56104340	1	Drive Wheel Hardware Kit
	K9	56104384	1	Front Wheel Bearings Kit

* = Optional, Not Included

NOTE 1: Electromagnetic Brake Kit 56384100 can be used to replace Brake-Electromagnetic 56384098 as a separate repair part for the Drive Wheel Motor.

PLATFORM ASSEMBLY

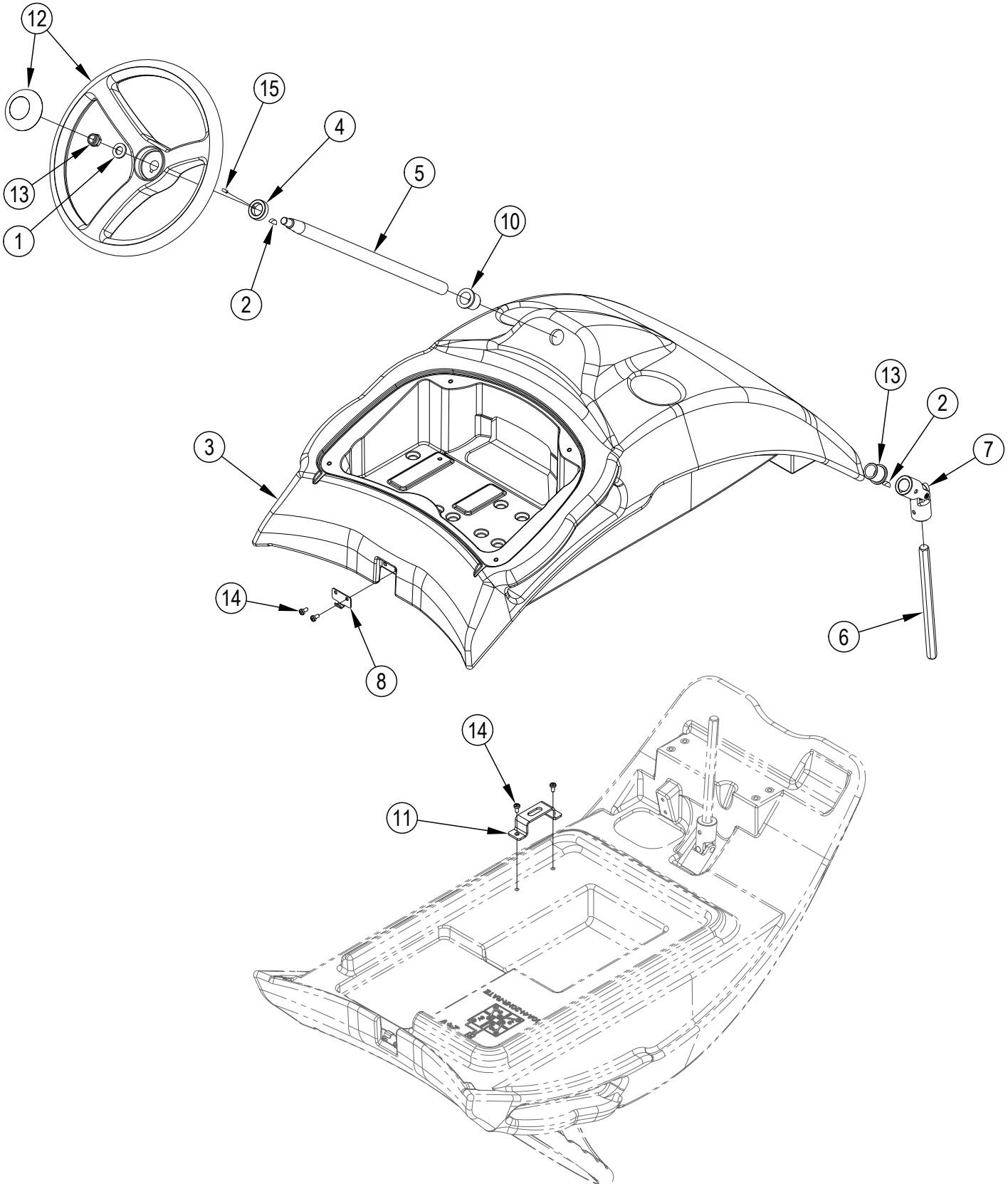


PLATFORM ASSEMBLY

Kit	Item	Ref. No.	Qty	Description
			1	Platform Assembly
K1	1		6	Washer
K1	2		6	Scr Pan Phil Plastit10-14x.62
K1	3		2	Scr Pan Phil Plastite 10-14x1
K1	4		4	Scr-Pan Phil Plast M5x2.3x10mm
	5	56104052	1	Platform-Upper
	6	56104185	1	Pedal-Safety
	7	56384567	1	Pedal-Foot
	8	56104187	1	Platform-Bottom
	9	56384579	2	Spring-Compression-M/W-.480 OD NOTE 1
	10	56104406	1	Switch Harness (S2, S5)
	11	56158690	1	Grommet
	12	56331006	2	Grommet
	13	56384568	1	Spring-Compression-SS-.480 OD NOTE 1
K1	14		1	Washer
<u>SERVICE KITS</u>				
	K1	56104417	1	Platform Hardware Kit

NOTE 1: All three springs should be replaced at the same time for these machines.

CONTROL SYSTEM



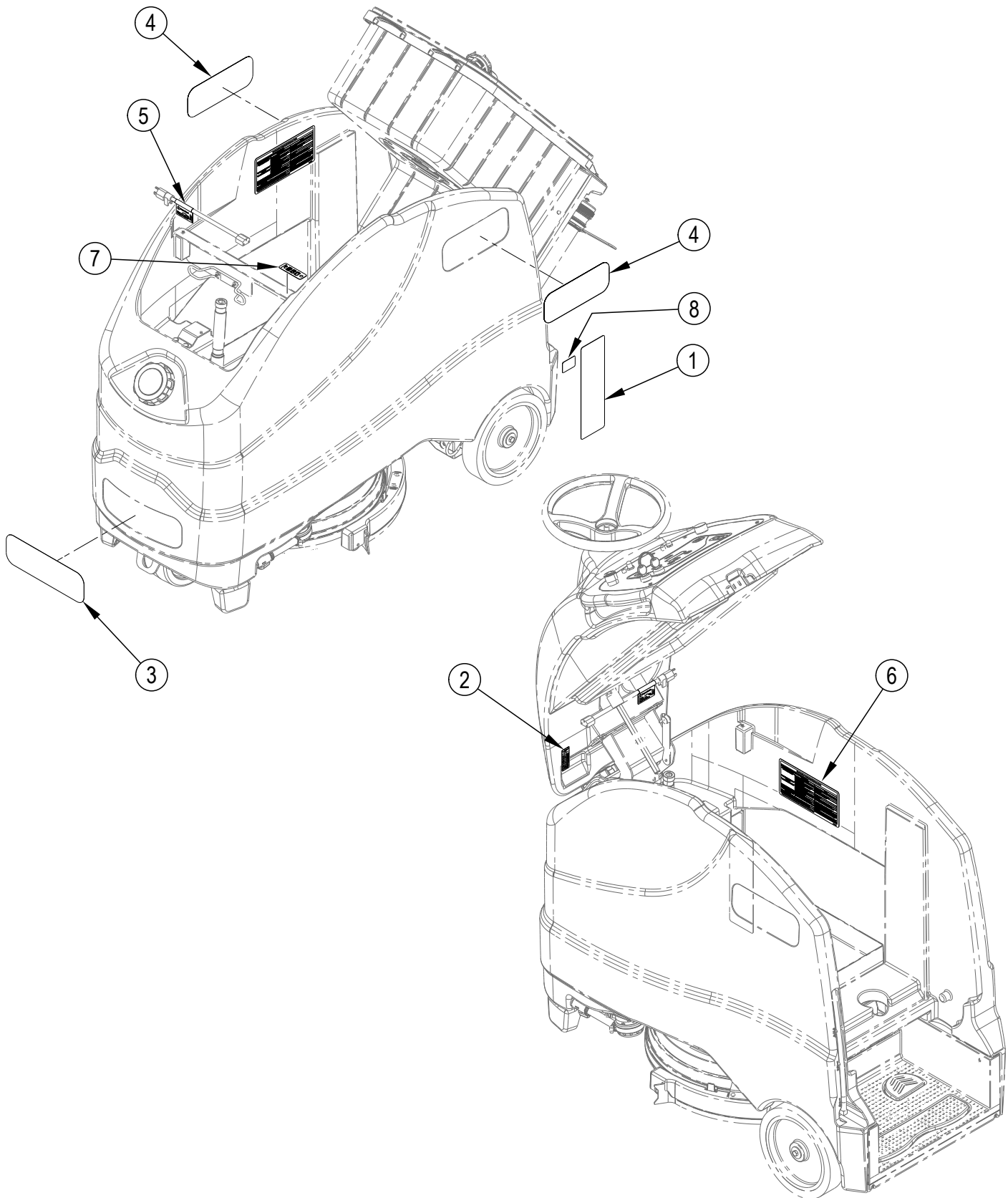
CONTROL SYSTEM

Kit	Item	Ref. No.	Qty	Description
K3	1		1	Washer, Flat 13X24
K3	2		2	Key-Wdf 5mmX6.5mmX16mm
	3	56104491	1	Control Panel
K3	4		1	Collar
	5	56104196	1	Shaft Steering
	6	56104265	1	Shaft Hex
K1	7		1	Universal Joint
K2	8		1	Hook Latch
K3	10		2	Bearing-Flange
	11	56104410	1	Bracket-Prop Rod
	12	56601060	1	Steering Wheel
K3	13		1	Nut, Hex Nyl Loc Thin M12
K2,K3	14		4	Scr, Pan Phil M5x10 Ss
K3	15		1	Screw Grub M5x10 Uni5929

SERVICE KITS

K1	56104328	1	Universal Joint Kit
K2	56104352	1	Draw Latch Kit
K3	56104365	1	Control Hardware Kit

DECAL SYSTEM



DECAL SYSTEM

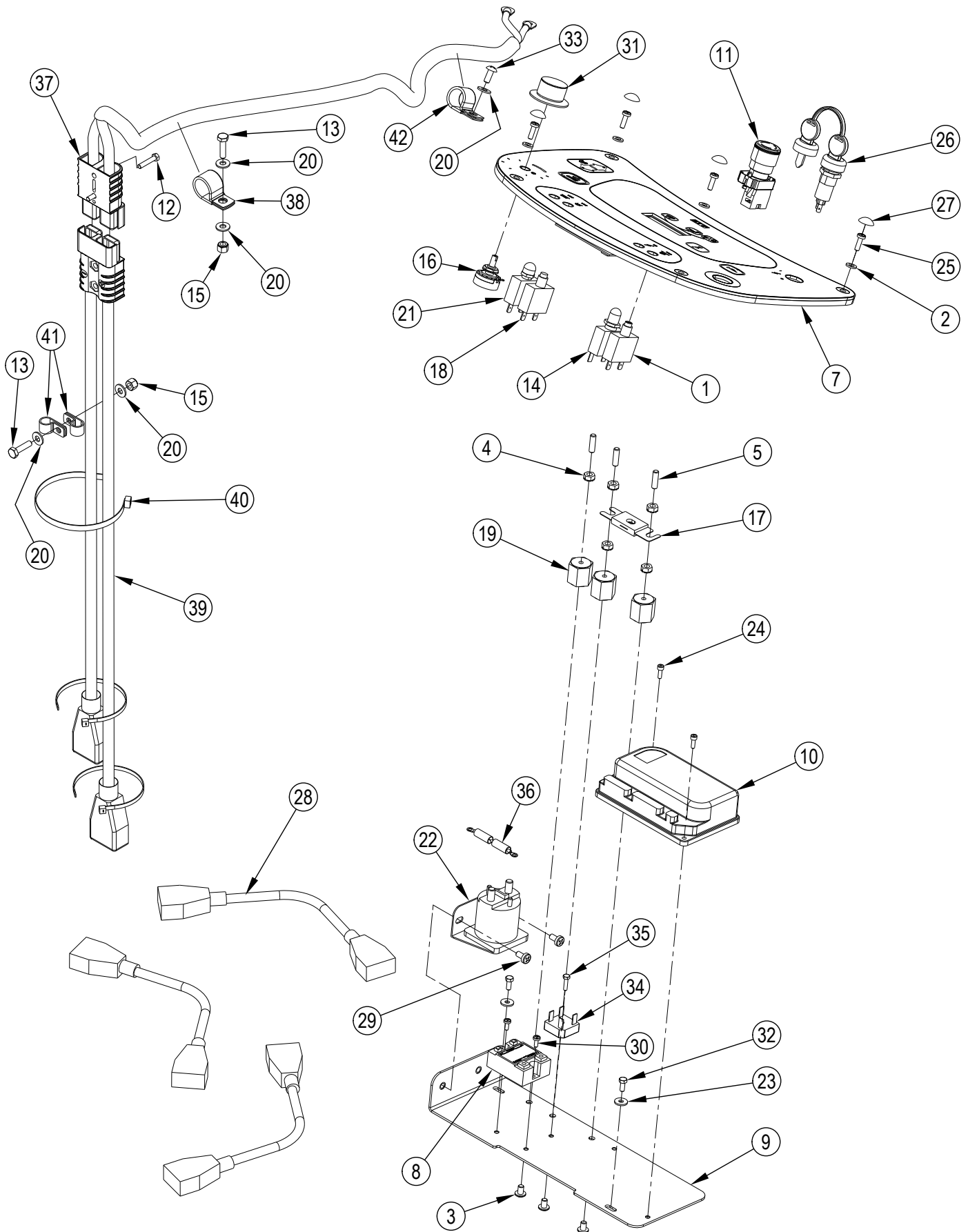
<u>Kit</u>	<u>Item</u>	<u>Ref. No.</u>	<u>Qty</u>	<u>Description</u>
K1	1		1	Decal. Caution
K1	2		1	Decal-Chemical Ratio
K1	3		1	Decal-SA40
K1	4		2	Decal-Clarke
K1	5		1	Decal-Charger Cord
K1	6		1	Decal-Error Codes
K1	7		1	Decal-Charger LED
K1	8#		1	Decal-Prop 65

SERVICE KITS

K1	56104497		1	SA40 Decal Kit
----	----------	--	---	----------------

= Revised or new since last update

ELECTRICAL SYSTEM



ELECTRICAL SYSTEM

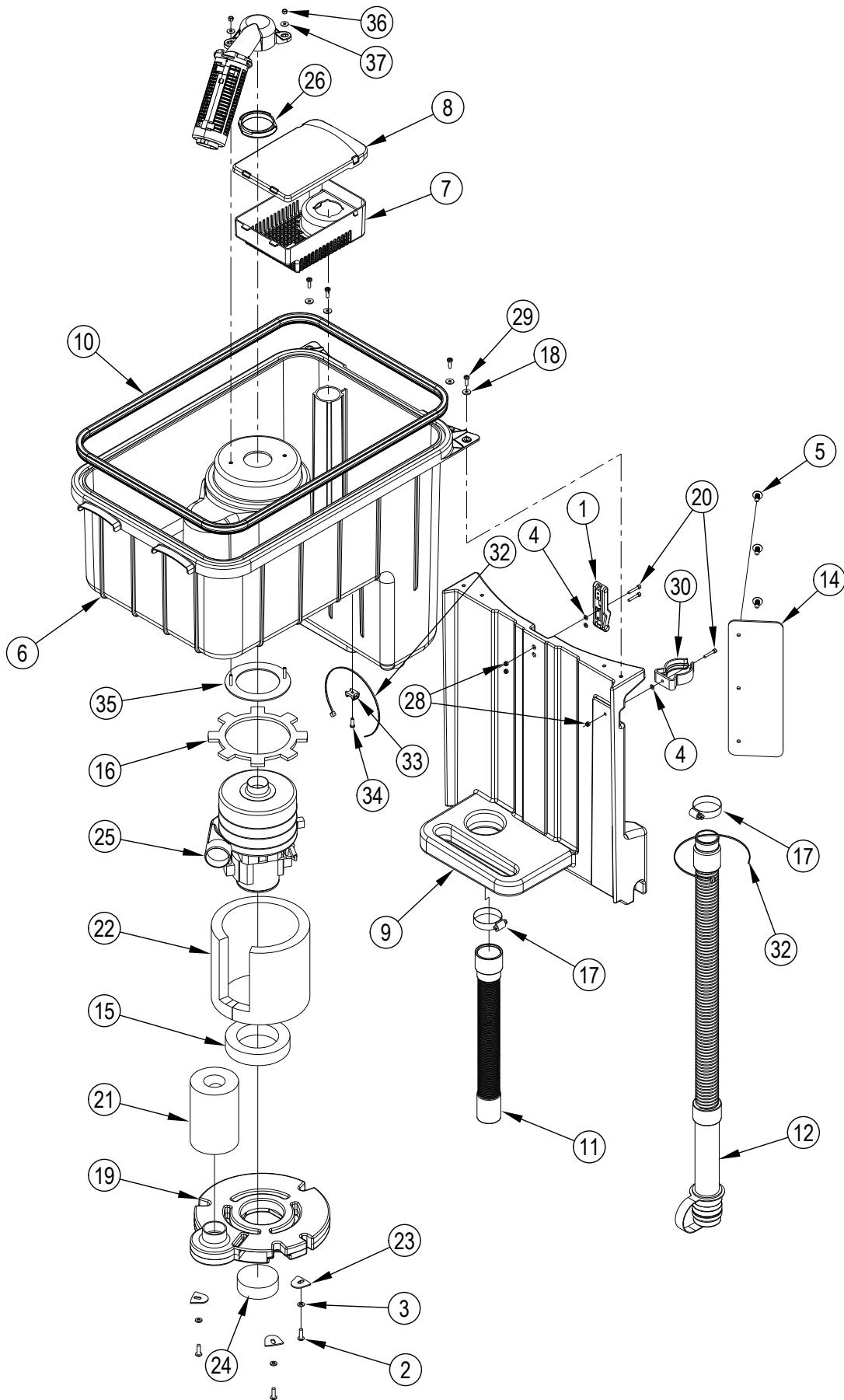
Kit	Item	Ref. No.	Qty	Description
	1	56104423	1	Circuit Breaker 50 Amp (CB1)
K1	2		4	Washer, Flat 6.4x12.5
K1	3		3	Scr-Pan Phil 1/4-20 X .38
K1	4		5	Nut, Hex W/ Shprf 1/4-20
K1	5		3	Stud
	[6]	56104444	1	Harness-Main
K2	7		1	Interface Panel Assembly (A1)
	8	56104176	1	Solid State Relay (K1)
	9	56104193	1	Electrical Panel
	10	56104243	1	Speed Controller (E1)
	11	56104247	1	Disconnect-Emergency
	12#	33003964	2	Screw M5x25 Hex HD F/THD ISO4017
	13#	56002093	2	Scr-Hex 1/4-20 X 1.00
	14	56315255	1	Circuit Breaker, 5 Amp (CB2)
	15#	56002708	2	Nut, Hex Nyl Loc 1/4-20
	16		1	Potentiometer, 100k (R1 / part of Main harness)
	17	56412089	1	Fuse, 150 Amp (F1)
	18	56413822	1	Circuit Breaker, 20 Amp (CB3)
	19	56469858	3	Electrical Mount
	20#	56002859	5	Wsh-Fit SAE SS 1/4
	21	56509623	1	Circuit Breaker-25 Amp (CB4)
	22	56601183	1	Contacto 24v, 100 Amp (K2)
K1	23		2	Washer, Flat XI 5.5x15x1.2 Ss
K1	24		2	Viti Tceil/Scr, Soc Hd
K1	25		4	Scr, Pan Phil M5x16
	26	1462888000	1	Switch, Key With Water Proof Cup (S1)
	*	1462887000	1	Key 2 PCS
K1	27		4	Cover For Screw Tcb 4.8mm
	28#	41217A	3	Cable, Battery Series
K1	29#		2	Screw, M6 X 1.00 X 10MM Pan Head
K1	30		2	Scr, Pan Phil M4x10
	31	50962A	1	Knob, Speed Control
K1	32#		2	Screw, Hex THD TO HD M5x12
	33#	56009120	1	Scr Panphil SS Type B 1/4-14 X .62
	34	56265103	1	Rectifier 35 Amp (D2)
	35	1460497000	1	Screw Hex HD M4X16 SS
	36	56389265	1	Rectifier Assy. (D1)
	37#	56104281	1	Cable-Power
	38#	56303651	1	Clamp, Hose Support
	39#	56385489	1	Harness-Battery Panel Assy
	40#	56477613	1	Tie, Cable
	41#	56486112	2	Clamp-P
	42#	56496276	1	Clamp, Hose Support
	[]	56104425	1	Wire Assy White
	[]	56104424	1	Wire Assy Black
	[]#	56090357	1	Instruction Sheet
SERVICE KITS				
K1	56104341		1	Electrical Hardware Kit
K2	56104499		1	Control Board Kit

[] = Not Shown

* = Optional, Not Included

= Revised or new since last update

RECOVERY SYSTEM



RECOVERY SYSTEM

<u>Kit</u>	<u>Item</u>	<u>Ref. No.</u>	<u>Qty</u>	<u>Description</u>
K1	1		1	Latch, Draw
K7	2		3	Screw M6x20 Wn1451 Black Zn
K7	3		3	Washer, Flat 6.4x12.5 S.S.
K1,K5,K7	4		3	Washer, Flat 4.3x9
K7	5		3	Rivet, Nylon Tree Push-In (.25)
	6	56394039	1	Recovery Tank NOTE 1
K4	7		1	Debris Cage
K4	8		1	Debris Tray Cover
	9	56104158	1	Back Panel
	10	56104164	1	Gasket-Recovery Tank
	11	56104258	1	Vac Hose Assy
	12	56104285	1	Drain Hose
	[13]	56104306	1	Jumper Harness TSB-FC-2016-266
	14	56104443	1	Guard-Splash-4X12-Poly
K8	15		1	Vacuum Motor Support Gasket
K6	16		1	Gasket, Vacuum Motor
	17	1450543000	2	Hose Clamp 14/32-52
K3,K7	18		4	Washer, Flat XI 5.5x15x1.2 SS
	19	9100001246	1	Cover Vacuum Motor
K1,K5,K7	20		3	Viti Tcei/Scr, Soc Hd
K8	21		1	Insulation Tube
K8	22		1	Panel, Acoustic Insulation
K7	23		3	Plate Cover
	24	56344168	1	Filter
K6	25		1	Vacuum Motor 3 Stage 24v (M4)
K3	26		1	Gasket Float Support
K3	27		1	Float Cage-Complete
K1,K5,K7	28		3	Nut, Hex Nyl Loc Thin M4 Ss
K3,K7	29		4	Scr.Pan Phil M5x16 SS
K5	30		1	Clamp, Hose D.50
	31			Intentionally Omitted
	32#	56478523	2	Tie, Cable
	33	9096595000	1	Flat Tie Holder
	34	9097919000	1	Screw Cyl Hd 5X16 Self L. Plas
	35	56385083	1	Tank Support Assembly
	36	56003975	2	Nut Hex Nyl Loc SS M5-0.8
	37	56009332	2	Wsh-Flt SS .202 X .562 X .040

SERVICE KITS

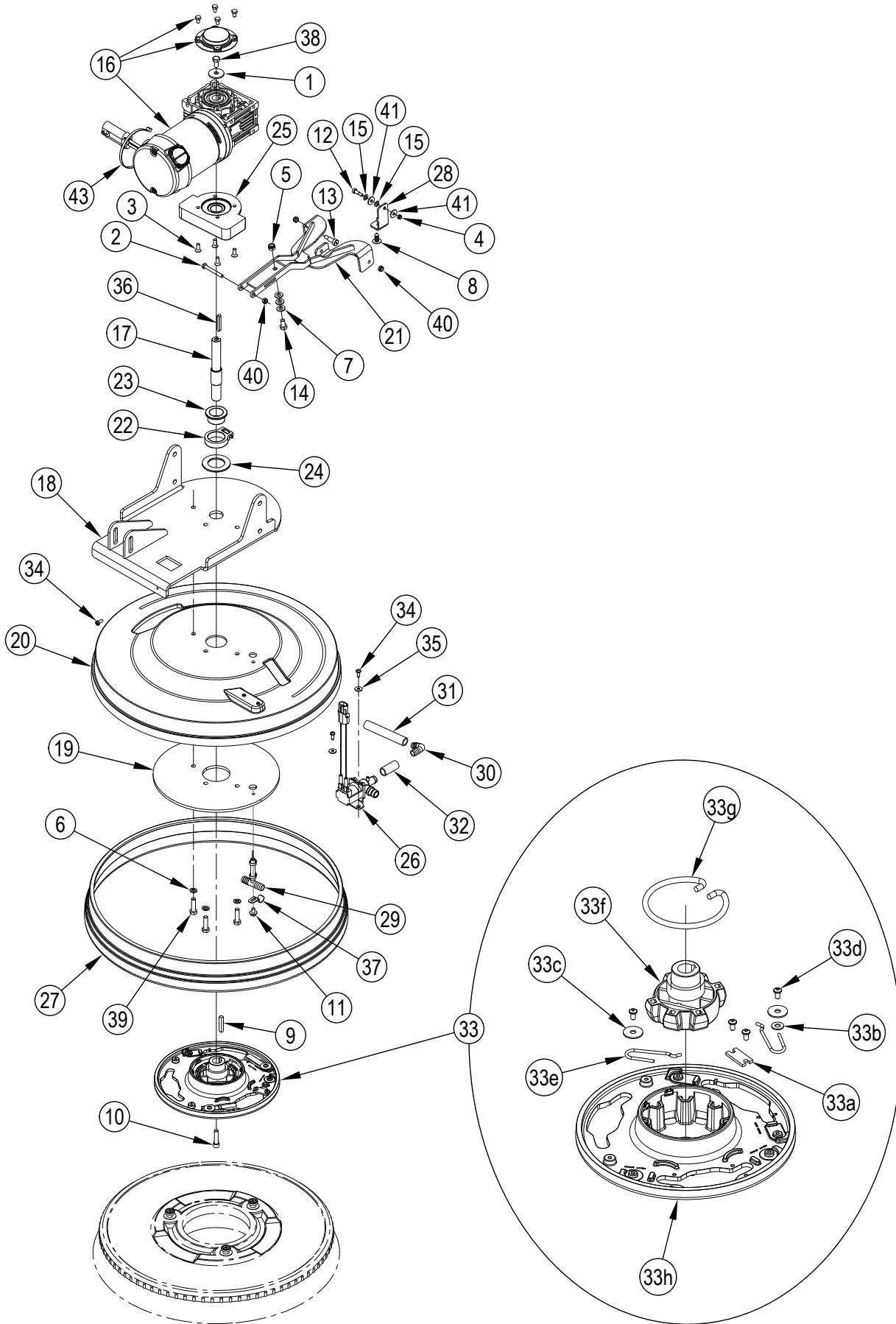
K1	56104352	1	Draw Latch Kit
K3	56104359	1	Float Cage Kit
K4	56104360	1	Debris Cage Kit
K5	56104362	1	Hose Clamp Kit
K6	56104363	1	Vacuum Motor Kit
K7	56104364	1	Recovery Hardware Kit
K8	56104383	1	Vacuum Motor Insulation Kit

[] = Not Shown

= Revised or new since last update

NOTE 1: To replace an old style recovery tank (PN 56104051) order 56394063 Recovery Tank Kit.

SCRUB SYSTEM-20D



SCRUB SYSTEM-20D

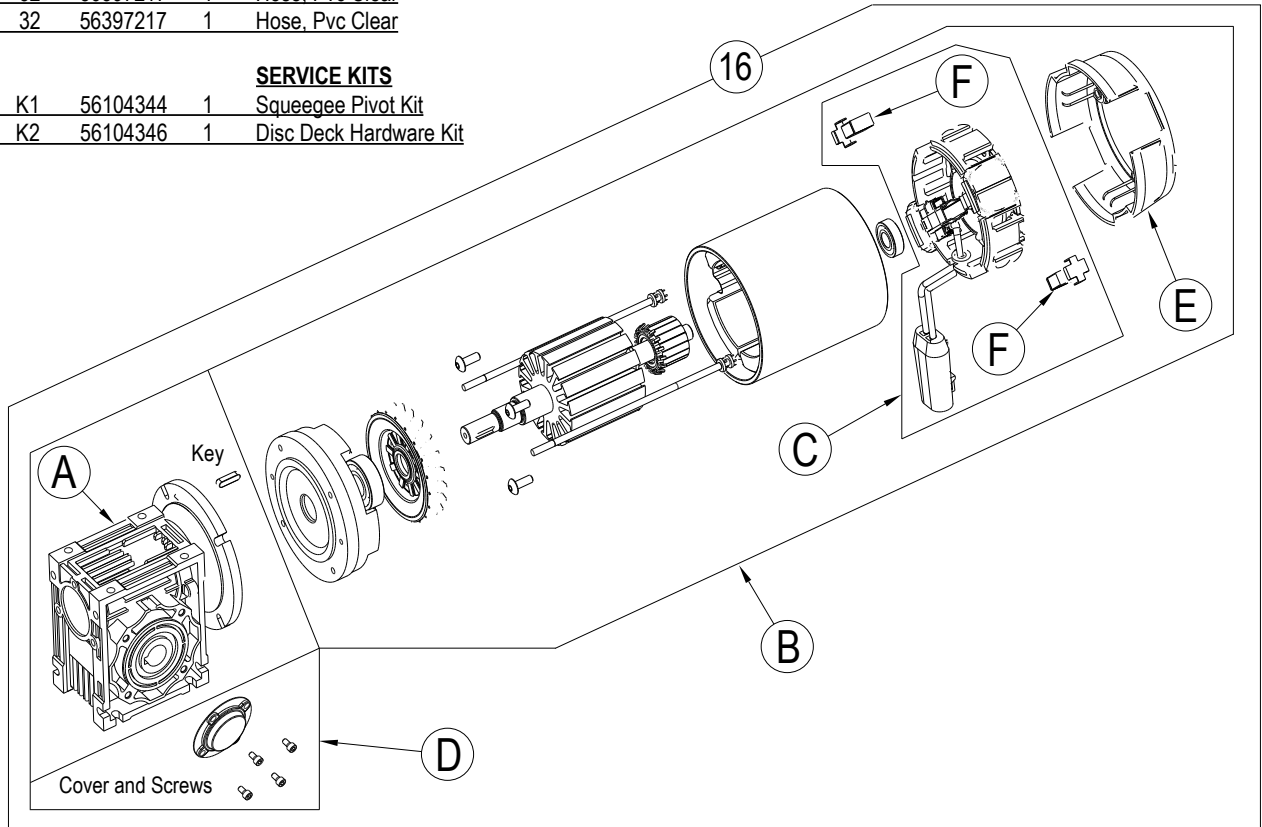
Kit	Item	Ref. No.	Qty	Description
K2	1		1	Washer 8x32x2.5uni6593 10 Pcs
K2	2		1	Screw, Hex Thd To Hd M6x50
K2	3		4	Screw, Flat Socket Head
K2	4		1	Nut, Hex Nyl Loc Thin M5
K2	5		1	Nut, Hex Nyl Loc Thin M8
K2	6		3	Washer M8 Uni1751b 10 Pcs Set
K2	7		3	Washer, Flat 8.4X16X1.6
K2	8		1	Rivet, Nylon Tree Push-In (.25)
K2	9		1	Key, Square .25 X 1.44
K2	10		1	Scr-Soc Hd 5/16-18 X 1.25 Zinc
K2	11		1	Scr-Hex Thd Form M6 X 10mm
K2	12		1	Scr-Soc Shd M6x12mm X M5-0.8
K2	13		2	Scr-Soc Shd M8x16mm X M6-1.00
K2	14		1	Scr-Hex Plastic M8-1.25 X 16MM
K2	15		2	Wsh, Bowed .266x.500x.060
	16	56104071	1	Disc Brush Motor (A-F) (M5)
	17	56104095	1	Shaft Disc Brush Motor
	18	56104117	1	Deck Lift Plate Weldment
	19	56104120	1	Lower Deck Plate
	20	56104121	1	Brush Housing
	21	56104126	1	Squeegee Link Weldment
K1	22		1	Squeegee Pivot Block
K1	23		1	Bearing Flange
K1	24		1	Squeegee Pivot Washer
	25	56104137	1	Spacer Motor
	26	56104169	1	Solenoid Valve Assy (L1)
	27	56104240	1	Skirt Brush
	28	56104241	1	Double Lift Brkt
	29	56314983	1	Tee Assembly
	30	56386183	1	Barbed Elbow 90
	31	56384076	1	Hose-Pvc-.50x3.50
	32	56397217	1	Hose, Pvc Clear
	32	56397217	1	Hose, Pvc Clear

Kit	Item	Ref. No.	Qty	Description
	33	56601733	1	Brush Plate Assy Rt
	33a	56366455	1	Plate, Stop
K2	33b		1	Wsh, Flt Std #10
K2	33c		2	Wsh, Flt .266 X .906 X .060
K2	33d		4	Scr, Pan Phil Plastite 10-14 X .38
	33e	56109653	2	Spring Retainer
	33f	56112521	1	Gimbal-Collar Assembly
	33g	56601056	1	Spring, Brush Holder
	33h	56601118	1	Brush Plate
K2	34		2	Scr, Pan Hd Thd Form
K2	35		2	Washer, Flat XI 5.5X15X1.2 Ss
K2	36		1	Key
	37	9095483000	1	Hose Holder
K2	38		1	Screw, Hex Thd To Hd M8x16 Loctite
K2	39		3	Screw, Hex Thd To Hd M8x30 Ss
K2	40		3	Nut, Hex Nyl Loc Thin M6 Ss
K2	41		2	Washer, Flat XI Ss
K2	42		1	Screw Cyl Hd M5x12
	43	1450524000	1	Tie, Cable 4.8 x 200 Black

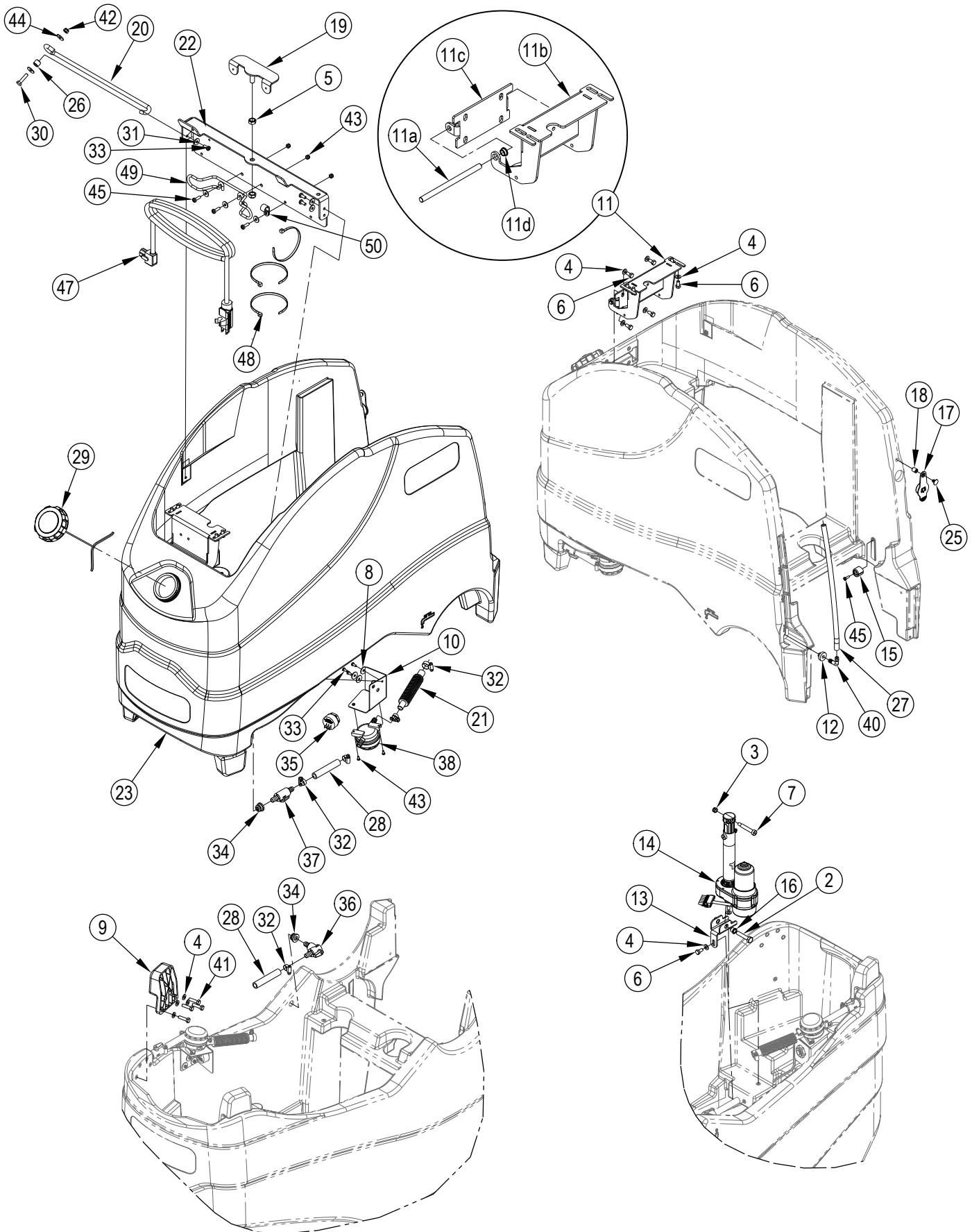
Kit	Item	Ref. No.	Qty	Description
	A	56104297	1	Motovario Gearbox 15/1
	B	56104298	1	Motor
	C	56104300	1	Brush Housing Assembly
	D	56601588	1	Cover And Screws
	E	56601508	1	Plastic Cover
	F	56601534	1	Carbon Brushes (2)

SERVICE KITS

K1	56104344	1	Squeegee Pivot Kit
K2	56104346	1	Disc Deck Hardware Kit



SOLUTION SYSTEM



SOLUTION SYSTEM

Kit	Item	Ref. No.	Qty	Description
	1#			DELETED
K5,K7	2		1	Screw M10 x 50 Hex Hd F/Thd ISO4017
K5,K7	3		1	Nut, Hex Nyl Loc Thin M8
K6,K7	4		18	Washer, Flat 8.4 x 16 x 1.6
K7	5		2	Nut, Hex Nyl Loc-Thin SS 3/8-16
K7	6		10	Scr-Hex M8-1.25 X 16mm
K5,K7	7		1	Scr-Soc Shd M10 x 50mm x M8-1.25
K7	8		3	Wsh, Flt .266 x .906 x .060
K6	9		2	Tip Pad
	10	56104165	1	Filter Bracket
	11		1	Hinge Assembly
	11a	56104206	1	Hinge Pin
	11b	56104207	1	Hinge Weldment
	11c	56104208	1	Hinge Bracket
	11d	56104249	2	Bearing Flange
	12	56104229	1	Grommet
	13	56104234	1	Actuator Brkt
K5	14		1	Actuator Assembly (M3) TSB-FC-2016-271
	15	56104308	2	Pivot Block
K5	16		1	Spacer Actuator
K4	17		1	Rubber Solution Cap
	18	56104390	1	Insert-Brass M8
	19	56104391	1	Adjustment Pad
	20	56104409	1	Prop Rod
K2	21		1	Hose Solution
	22	56104445	1	Bracket-Tank Support
	23	56104490	1	Solution Tank-Blue
	24			Intentionally Omitted
K4	25		1	Clip, Panel
K7	26		1	Bushing
	27	56393382	1	Hose-PVC Clear

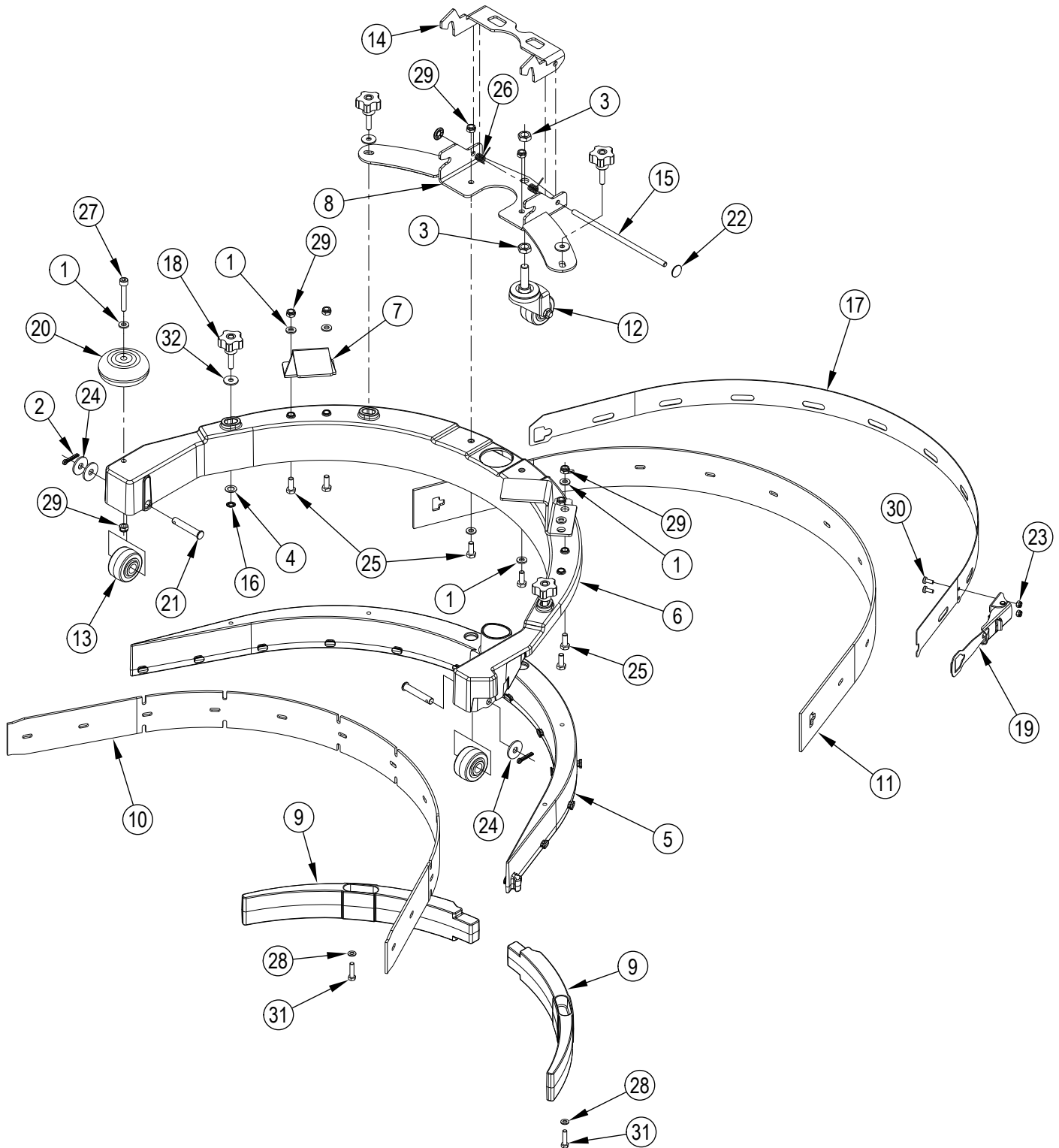
Kit	Item	Ref. No.	Qty	Description
K1,K2	28		2	Hose, Spiral .500
	29	56510442	1	Cap-Extra Vent
K7	30		1	Screw M6 x 25 Hex Hd F/Thd SS ISO4017
K7	31	1458280000	6	Washer, Plain M5 x 15 SS ISO7093
K1,K2	32#		5	Clamp, Hose
K7	33#		6	Screw, M5 X 12 P.H.S.S.
K1,K2	34		2	Gasket
	35	9096126000	1	Buzzer 5-32V (H1)
K1	36		1	Ball Valve 90°
K2	37		1	Ball Valve
K3	38		1	Filter Water
	39		1	Intentionally Omitted
	40	51526A	1	Hosebarb, 90 Degree
K6,K7	41		8	Screw M8 x 30 Hex Hd F/Thd SS ISO4017
K7	42		1	Nut, Hex Nyl Loc Thin M6 SS
K3,K7	43		2	Scr, Pan Phil M4 x 10 SS
K7	44		2	Washer Flat XI 6 x 18 x 1.5 - SS
K7	45		5	Scr, Pan Phil M5 x 16 SS
	46	33005603	3	Nut, Loc Hex M5 Low ISO10511
	47	56383866	1	Cord-AC Nema IEC320 - Deltaq
	48#	56478523	3	Tie, Cable
	49	9095149000	1	Cable Support
	50	L08603845	1	Clamp, Cable 012.7

SERVICE KITS

K1	56104349	1	Solution Drain Kit
K2	56104350	1	Solution Hose Kit
K3	56104351	1	Solution Filter Kit
K4	56104354	1	Solution Cap Kit
K5	56104356	1	Actuator Kit
K6	56104357	1	Tip Pad Kit
K7	56104358	1	Solution Hardware Kit

= Revised or new since last update

SQUEEGEE SYSTEM



SQUEEGEE SYSTEM

Kit	Item	Ref. No.	Qty	Description
K3,K4,K6	1		7	Washer, Flat 6.4X12.5 S.S.
K4,K6	2		2	Pin-Bow-Tie SS 1/4-3/8 X .72
K4,K6	3		2	Nut-Hex Jam Ss 3/8-16
K4,K5	4		4	Wsh-Flt .328 X .563 X .031
K4	5		1	Squeegee Casting NOTE 2
K4	6	56104142	1	Squeegee Cover
K4	7		2	Squeegee Lift Bracket
K4,K8	8		1	Squeegee Bracket Weldment
K4	9		2	Squeegee Plate
K2,K4	10		1	Blade-Squeegee Linatex Front NOTE 1
K1	*		1	Blade-Squeegee Pu Front NOTE 1
K2,K4	11		1	Blade-Squeegee Linatex Rear NOTE 1
K1	*		1	Blade-Squeegee Pu Rear NOTE 1
K4,K6	12	56104231	1	Caster Wheel
K4,K6	13		2	Roller Wheel
K4,K8	14		1	Squeegee Mount Brkt
K4,K8	15		1	Pivot Pin
K4,K5	16		4	Retaining Ring
K4,K7	17		1	Strap-Squeegee Rear
K4,K5	18		4	Knob
K4,K7	19		1	Latch-T Tab Assy
K4,K6	20		1	Roller Wheel
K4,K6	21		2	Pin-Clevis .312 X 1.78
K4,K8	22		2	Pin Cover-6mm
K4,K7	23		2	Nut, Hex Nyl Loc Thin M4 Ss
K4,K6	24		3	Washer 8x24x2 Uni 6593 Ss
K3,K4	25		6	Screw, Hex Thd To Hd M6x16 Ss
K4,K8	26		2	Spring Acc. Lid Lh
K4,K6	27		1	Screw Soc. Hd M6X45
K3,K4	28		2	Washer, Flat 5.3X10X1 Ss
K3,K4,K6	29		7	Nut, Hex Nyl Loc Thin M6 Ss
K4,K7	30		2	Scr. Pan Phil M4x10 Ss
K3,K4	31		2	Screw, Hex Thd To Hd M5x20 SS
K4,K5	32	L08603689	4	Flat Washer M6 X 18 SS

SERVICE KITS

K1	56104325	1	Squeegee Kit - Blade PU
K2	56104483	1	Squeegee Kit - Blade Linatex
K3	56104327	1	Squeegee Hardware Kit
K4	56104378	1	Squeegee Assy Kit
K5	56104429	1	Squeegee Knobs Kit
K6	56104385	1	Squeegee Wheels Kit TSB-FC-2017-025
K7	56104386	1	Squeegee Strap Kit
K8	56104387	1	Squeegee Mount Brkt Kit

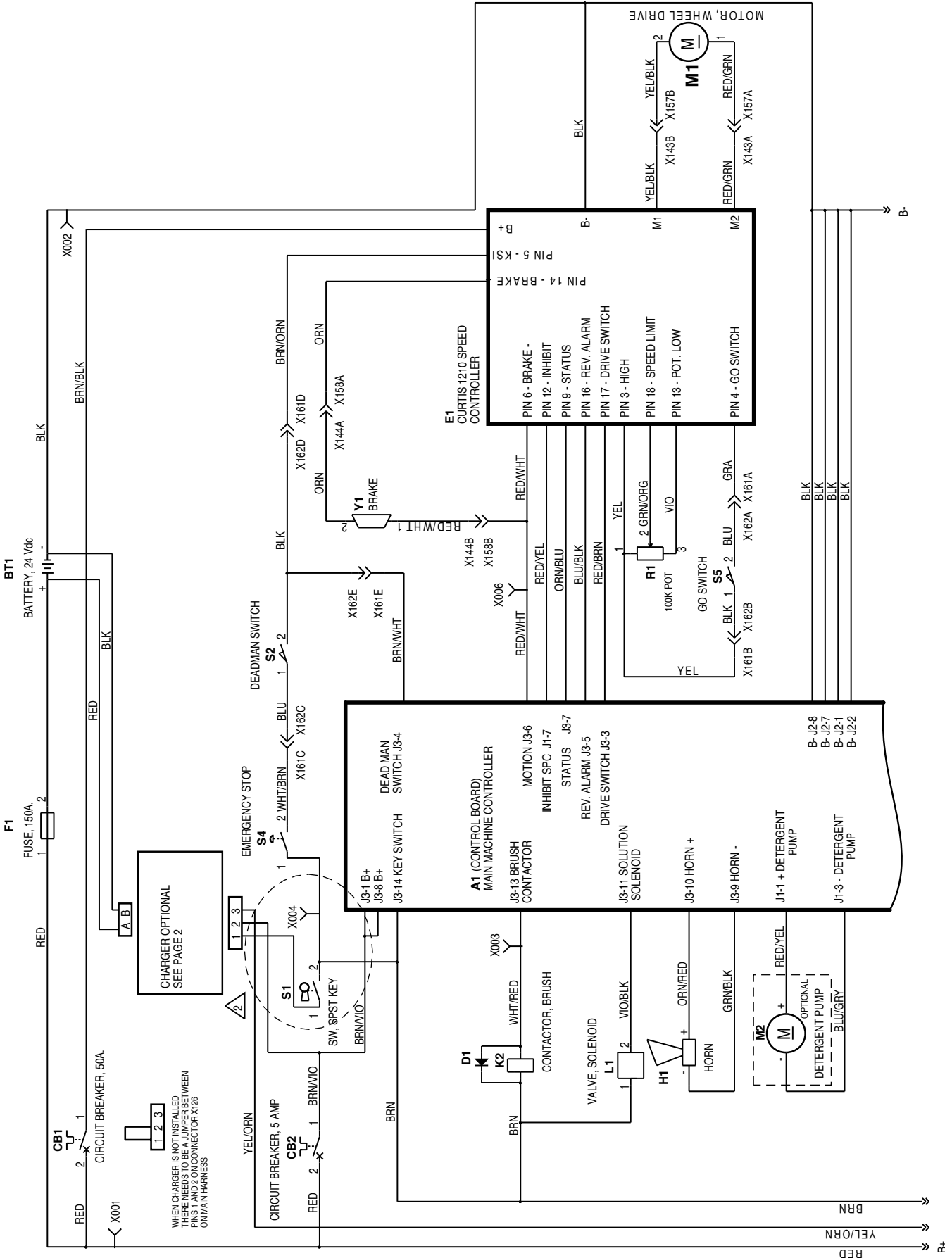
* = Optional, Not Included

* = Optional, Not Included

NOTE 1: All squeegee blade kits include both front and rear squeegee blades.

NOTE 2: The squeegee casting is not available for sale separately. If you need to replace it please order the Squeegee Assy Kit 56104378.

LADDER DIAGRAM-1



LADDER DIAGRAM-1

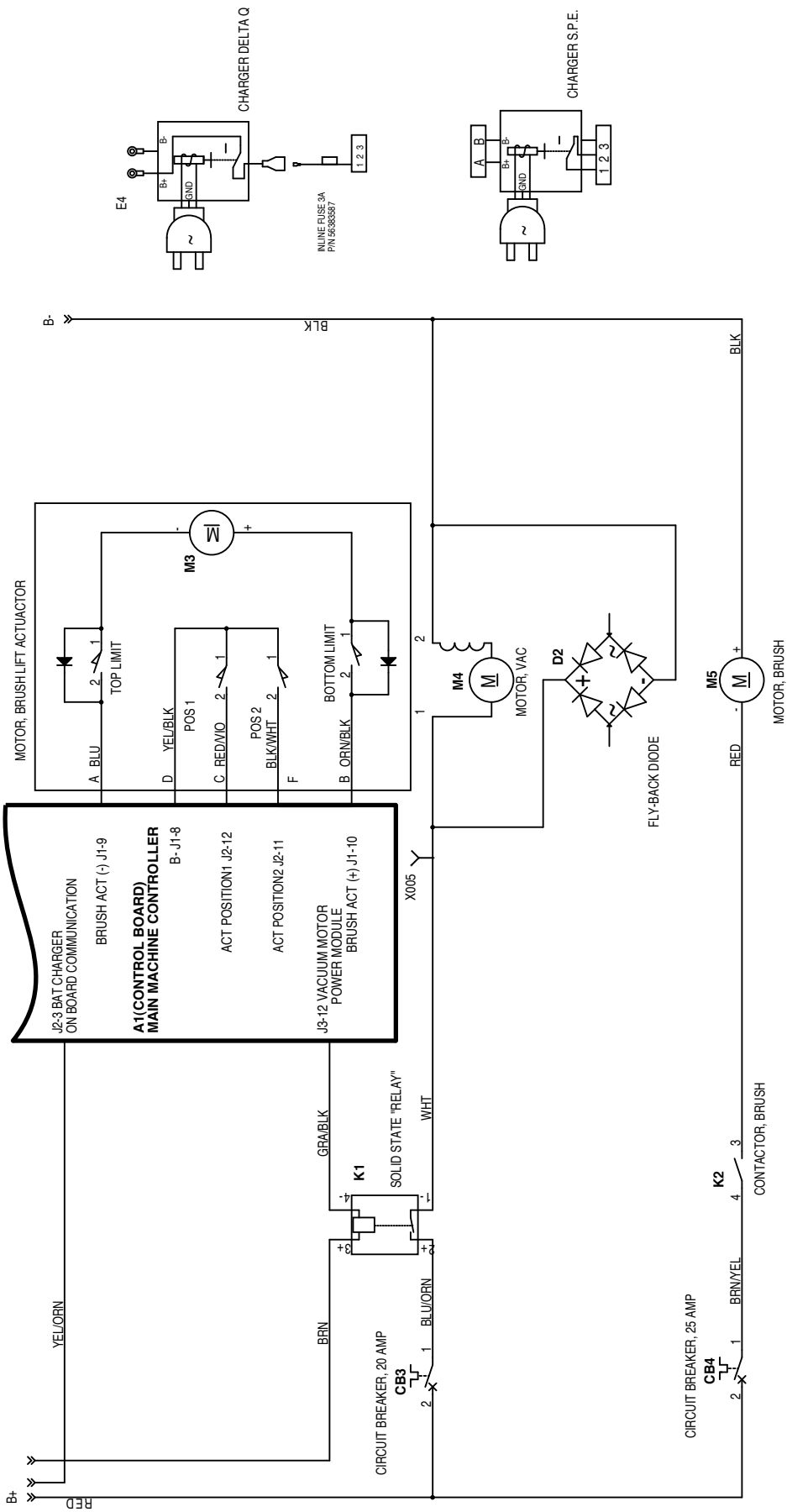
<u>Item</u>	<u>Ref. No.</u>	<u>Qty</u>	<u>Description</u>
A1			Control Board
BT1			Battery
CB1	56104423	1	Circuit Breaker 50A (Drive Wheel)
CB2	56315255	1	Circuit Breaker 5 Amp (Control Circuit)
CB3	56413822	1	Circuit Breaker 20 Amp (Vacuum Motor)
CB4	56509623	1	Circuit Breaker-25 Amp (Brush Motor)
D1	56389265	1	Rectifier Assy.
D2	56265103	1	Rectifier 35 Amp
E1	56104243	1	Speed Controller
E2	56383856	1	Battery Charger 24v 25a
F1	56412089	1	Fuse 150 Amp
H1	9096126000	1	Buzzer 5-32v
K1	56104176	1	Solid State Relay
K2	56601183	1	Contactora 24v 100 Amp
L1	56104169	1	Solenoid Valve Assembly
M1		1	Drive Wheel Motor
M2	56315241	1	Pump Chemical
M3	56104356	1	Actuator Kit (Motor Brush Lift Actuator)
M4	9097556000	1	Motor Vacuum 3st 24v 420w
M5	56104071	1	Disc Brush Motor (20D)
R1		1	Potentiometer 100k (Speed Adjustment / part of Main harness)
S1	1462888000	1	Switch Key with Cap
*	1462887000	1	Key 2 PCS
S2		1	Switch-Sealed (part of Switch Harness 56104406)
S4	56104247	1	Disconnect-Emergency
S5		1	Switch-Sealed (part of Switch Harness 56104406)
Y1			Electrical Brake (part of Drive Wheel Motor M1)

* = Optional, Not Included

Color Codes

BLK	Black
BLU	Blue
BRN	Brown
GRA	Gray
GRN	Green
ORN	Orange
PINK	Pink
RED	Red
TAN	Tan
VIO	Violet
WHT	White
YEL	Yellow

LADDER DIAGRAM-2



LADDER DIAGRAM-2

<u>Item</u>	<u>Ref. No.</u>	<u>Qty</u>	<u>Description</u>
A1			Control Board
BT1			Battery
CB1	56104423	1	Circuit Breaker 50A (Drive Wheel)
CB2	56315255	1	Circuit Breaker 5 Amp (Control Circuit)
CB3	56413822	1	Circuit Breaker 20 Amp (Vacuum Motor)
CB4	56509623	1	Circuit Breaker-25 Amp (Brush Motor)
D1	56389265	1	Rectifier Assy.
D2	56265103	1	Rectifier 35 Amp
E1	56104243	1	Speed Controller
E2	56383856	1	Battery Charger 24V 25A
F1	56412089	1	Fuse 150 Amp
H1	9096126000	1	Buzzer 5-32V
K1	56104176	1	Solid State Relay
K2	56601183	1	Contactora 24V 100 Amp
L1	56104169	1	Solenoid Valve Assembly
M1	56104074	1	Drive Wheel Motor
M2	56315241	1	Pump Chemical
M3	56104356	1	Actuator Kit (Motor Brush Lift Actuator)
M4	9097556000	1	Motor Vacuum 3st 24v 420w
M5	56104071	1	Disc Brush Motor (20D)
R1		1	Potentiometer 100k (Speed Adjustment / part of Main harness)
S1	1462888000	1	Switch Key with Cap
*	1462887000	1	Key 2 PCS
S2		1	Switch-Sealed (part of Switch Harness 56104406)
S4	56104247	1	Disconnect-Emergency
S5		1	Switch-Sealed (part of Switch Harness 56104406)
Y1			Electrical Brake (part of Drive Wheel Motor M1)

* = Optional, Not Included

Color Codes

BLK	Black
BLU	Blue
BRN	Brown
GRA	Gray
GRN	Green
ORN	Orange
PINK	Pink
RED	Red
TAN	Tan
VIO	Violet
WHT	White
YEL	Yellow

OPTIONAL KITS AND ACCESSORIES

Item	Ref. No.	Qty	Description
Kits			
*	56104374	1	Shelf Charger US Kit
*	56104437	1	Shelf Charger Adapter Kit
*	56104499	1	Control Board Kit
*	56385105	1	Tank Support Kit
*	56394063	1	Recovery Tank Kit
Squeegee Blade Kits (See Squeegee Blade Selector Guide)			
	56104325	1	Squeegee Kit - Blade PU NOTE 1
*	56104483	1	Squeegee Kit - Blade Linatex NOTE 1
Accessories			
*	56397453	1	Indicator Battery Level
*	56383571	1	Programmer-User
*	56383572	1	Programmer Cable-Molex
*	56104190	1	Ecoflex Bottle Assy
*	56044709	1	Literature Pack
20" Disk Scrub Brushes (See Brush Selector Guide)			
*	56505790	1	Pad Holder-20 3 Lug
*	56505791	1	Disc Brush-20 Magnagrit 3 Lug
*	56505792	1	Disc Brush-20 Dyna Grit 3 Lug
*	56505793	1	Disc Brush-20 Aglite 3 Lug
*	56505794	1	Disc Brush-20 Prolene 3 Lug
*	56505795	1	Disc Brush-20 Prolite 3 Lug
*	56505796	1	Disc Brush-20 Union Mix 3 Lug
*	56505797	1	Disc Brush-20 Midgrit 3 Lug
*	56505798	1	Disc Brush-20 Midlite 3 Lug
*	976170	1	Pads Cs 20 Black Thin (Qty 5)
*	976070	1	Pads Cs 20 Brown 51 (Qty 5)
*	976069	1	Pads Cs 20 Blue 51 (Qty 5)

* = Optional, Not Included

NOTE 1: All squeegee blade kits include both front and rear squeegee blades.

RECOMMENDED SPARE PARTS

Item	Ref. No.	Qty	Description
CHASSIS SYSTEM			
Ordinary Maintenance			
O	56385136		Harness-Drive Motor Kit
O	56104269		Sprocket-11 Tooth
O	56104407		Bearing-Flange
O	56104331		Rear Wheel Kit
O	56104338		Wheel And Bearing Kit
O	56104435		Sprocket And Chain Kit (used w/56104431)
O	56104339		Sprocket And Chain Kit (used w/56104058)
Extra-Ordinary Maintenance			
E	56104091		Mounting Tab
E	56104094		Bar Linkage
E	56104105		Battery Tray
E	56104130		Steering Shaft
E	56104135		Link Bar
E	56104148		Steering Shaft Weldt
E	56104151		Spindle Mount Weldment
E	56104157		Collar
E	56104448		Chassis Weldment
E	56314032		Block, Bearing
E	56112544		Battery Charger 24v 25a
E	56104328		Universal Joint Kit
E	56104332		Bearing Block Kit
E	56104333		Chassis Hardware Kit
E	56104336		Drive Wheel Motor Kit
E	56104340		Drive Wheel Hardware Kit
E	56104384		Front Wheel Bearings Kit
CONTROL SYSTEM			
Normal Wear			
W	56104270		Chain-Roller
Extra-Ordinary Maintenance			
E	56104053		Control Panel
E	56104196		Shaft Steering
E	56104265		Shaft Hex
E	56104410		Bracket-Prop Rod
E	56601060		Steering Wheel
E	56104058		Drive Wheel Frame Weldt
E	56104077		Spindle Weldt
E	56104115		Steering Plate
E	56104328		Universal Joint Kit
E	56104352		Draw Latch Kit
E	56104365		Control Hardware Kit
ELECTRICAL SYSTEM			
Extra-Ordinary Maintenance			
E	56104423		Circuit Breaker 50 Amp
E	56104444		Harness-Main
E	56104176		Solid State Relay
E	56104193		Electrical Panel
E	56104243		Speed Controller
E	56104247		Disconnect-Emergency
E	56104281		Cable-Power
E	56112354		Handle
E	56315255		Circuit Breaker, 5 Amp
E	56409485		Cable, Battery
E	56412089		Fuse, 150 Amp
E	56413822		Circuit Breaker, 20 Amp
E	56469858		Electrical Mount
E	56509623		Circuit Breaker-25 Amp
E	56601172		Connector Assy
E	56601183		Contacto 24v, 100 Amp
E	1462888000		Switch, Key With Water Proof Cup
E	1462887000		Key 2 PCS
E	L08812063		Terminal Clamp Batt
E	L08812064		Terminal Clamp Batt
E	50962A		Knob, Speed Control
E	2-00-05171		Boot, Protective (Red)

Item	Ref. No.	Qty	Description
ELECTRICAL SYSTEM CONTINUED			
Extra-Ordinary Maintenance			
E	2-00-05173		Battery Insulator
E			Deleted
E			Deleted
E	56372673		Boot-Battery Post
E	56478246		Tie, Cable
E	41217A		Cable Battery Kit 14662B
E	56104341		Electrical Hardware Kit
E	56104499		Control Board Kit
E	56104372		Interface Panel Kit
PLATFORM ASSEMBLY			
Ordinary Maintenance			
O	56104406		Switch Harness
Extra-Ordinary Maintenance			
E	56104052		Platform-Upper
E	56104185		Pedal-Safety
E	56104186		Foot Pedal
E	56104187		Platform-Bottom
E	56104277		Compression Spring
E	56158690		Grommet
E	56331006		Grommet
E	56104417		Platform Hardware Kit
RECOVERY SYSTEM			
Ordinary Maintenance			
O	56104164		Gasket-Recovery Tank
O	56104258		Vac Hose Assy
O	56104285		Drain Hose
O	9096672000		Filter
Extra-Ordinary Maintenance			
E	56104051		Recovery Tank
E	56104158		Back Panel
E	56104306		Jumper Harness
E	56104443		Guard-Splash-4X12-Poly
E	1450543000		Clamp, Hose 14/32-52
E	9100001246		Cover, Vac
E	56104352		Draw Latch Kit
E	56104359		Float Cage Kit
E	56104360		Debris Cage Kit
E	56104362		Hose Clamp Kit
E	56104363		Vacuum Motor Kit
E	56104364		Recovery Hardware Kit
E	56104383		Vacuum Motor Insulation Kit
SCRUB SYSTEM-20D			
Ordinary Maintenance			
O	9095483000		Hose Holder
O	56601534		Carbon Brushes (2)
Extra-Ordinary Maintenance			
E	56104071		Disc Brush Motor
E	56104095		Shaft Disc Brush Motor
E	56104117		Deck Lift Plate Weldment
E	56104120		Lower Deck Plate
E	56104121		Brush Housing
E	56104126		Squeegee Link Weldment
E	56104137		Spacer Motor
E	56104169		Solenoid Valve Assy
E	56104240		Skirt Brush
E	56104241		Double Scrub Brkt
E	56314983		Tee Assembly
E	56386183		Barbed Elbow 90
E	56384076		Hose-Pvc-.50x3.50
E	56397217		Hose, Pvc Clear
E	56601733		Brush Plate Assy Rt
E	56366455		Plate, Stop
E	56109653		Spring Retainer
E	56112521		Gimbal-Collar Assembly
E	56601056		Spring, Brush Holder
E	56601118		Brush Plate

RECOMMENDED SPARE PARTS CONTINUED

Item	Ref. No.	Qty	Description
SCRUB SYSTEM-20D CONTINUED			
E	56104297		Motovario Gearbox 15/1
E	56104298		Motor
E	56104300		Brush Housing Assembly
E	56601588		Cover And Screws
E	56601508		Plastic Cover
E	56104344		Squeegee Pivot Kit
E	56104346		Disc Deck Hardware Kit
E	56104347		Disc Deck Assy 20 Kit
SOLUTION SYSTEM			
Extra-Ordinary Maintenance			
E	56104050		Solution Tank
E	56104165		Filter Bracket
E	56104194		Support Brkt
E	56104206		Hinge Pin
E	56104207		Hinge Weldment
E	56104208		Hinge Bracket
E	56104249		Bearing Flange
E	56104229		Grommet
E	51526A		Hosebarb 3/8 X 90 Deg
E	56104234		Actuator Brkt
E	56104308		Pivot Block
E	56104390		Insert-Brass M8
E	56104391		Adjustment Pad
E	56104409		Prop Rod
E	56393382		Hose-Pvc Clear
E	56477613		Tie, Cable
E	56601599		Cap - Raw With Tether
E	9096126000		Buzzer 5-32v
E	56104189		Insert-Dry Break
E	56104408		Chemical Bottle Assembly
E	56314942		Hose, Chem Resistant
E	56314991		Hose, Chem Resistant 14"
E	56315241		Pump, Chemical
E	56383385		Cord Charger Yellow US
E	9100001512		Cap, Plastic F Chemical Tank
E	56315523		Cap, Dry Break, 1/8 Barb, 90
E	9095149000		Cable Support
E	56104349		Solution Drain Kit
E	56104350		Solution Hose Kit
E	56104351		Solution Filter Kit
E	56104354		Solution Cap Kit
E	56104356		Actuator Kit
E	56104357		Tip Pad Kit
E	56104358		Solution Hardware Kit

Item	Ref. No.	Qty	Description
SQUEEGEE SYSTEM			
Normal Wear			
W	56104325		Squeegee Kit - Blade PU
W	56104483		Squeegee Kit - Blade Linatex
W	56104385		Squeegee Wheels Kit
Extra-Ordinary Maintenance			
E	56104327		Squeegee Hardware Kit
E	56104378		Squeegee Assy Kit
E	56104429		Squeegee Knobs Kit
E	56104386		Squeegee Strap Kit
E	56104387		Squeegee Mount Brkt Kit
DECAL SYSTEM			
Extra-Ordinary Maintenance			
E	56104497		SA40 Decal Kit
ACCESSORY / OPTIONS			
Extra-Ordinary Maintenance			
E	56104374		Shelf Charger US Kit

BRUSH SELECTOR GUIDE

We provide brushes and pad holders that will give you the best possible performance between machine and floor. Following are descriptions of the materials and their applications.

- Soft Nylon:** Bristles are made from light-duty polypropylene for general scrubbing when you do not want to scratch or remove finish from the floor. Recommended for use in place of red pads.
- Poly:** Polypropylene material for medium-duty scrubbing on concrete, terrazzo and vinyl floor tile. Recommended for use in place of green or blue pads.
- Lite Grit:** For light scrubbing when used wet; buffing or polishing when used dry on urethane coated, sealed concrete or other resilient hard surface floors. Recommended for use in place of red or white pads.
- Medium Grit:** For general purpose scrubbing of sealed or unsealed concrete, stone, terrazzo, quarry tile and other resilient hard floor surfaces. Recommended for use in place of green or blue pads.
- Heavy Grit:** For aggressive, heavy-duty scrubbing or stripping of floors. Recommended for use in place of brown pads.

20" Disk Scrub Brushes

- 56505790 - Pad Holder
- 56505791 - Magnagrit
- 56505792 - Dyna Grit
- 56505793 - Aglite
- 56505794 - Prolene
- 56505795 - Prolite
- 56505796 - Union Mix
- 56505797 - Midgrit
- 56505798 - Midlite
- 976170 - Pads Cs 20 Black Thin (Qty 5)
- 976070 - Pads Cs 20 Brown 51 (Qty 5)
- 976069 - Pads Cs 20 Blue 51 (Qty 5)

DISC BRUSH APPLICATION GUIDE (SUGGESTION ONLY)

Application	Heavy Grit	Medium Grit	Lite Grit	Poly	Soft Nylon
Stripping:					
Concrete	X				
Terrazzo	X				
Ceramic/Quarry tile	X				
Vinyl tile	X				
General Scrubbing:					
Concrete	X	X	X	X	
Terrazzo		X	X	X	
Ceramic/Quarry tile		X	X	X	
Marble			X	X	X
Vinyl tile		X	X	X	
Raised-rubber tile			X	X	X

SQUEEGEE BLADE SELECTOR GUIDE

Red Gum Rubber: Provides longest life on finished or unfinished concrete floors.

Polyurethane: Oil resistance provides superior life in applications with oily floors.

Performance Traits	Red Gum Rubber (Natural Rubber)	Polyurethane/ Pentathane
Tear Strength	X	X
Abrasion Resistance	X	X
Applications		
Oil Resistant Applications		X
Appearance	Red	Translucent

Clarke®

9435 Winnetka Ave North
Minneapolis, MN 55445

www.clarkeus.com

Phone: 800-253-0367

Fax: 800-825-2753

©2018 Nilfisk, Inc.

A Nilfisk Brand