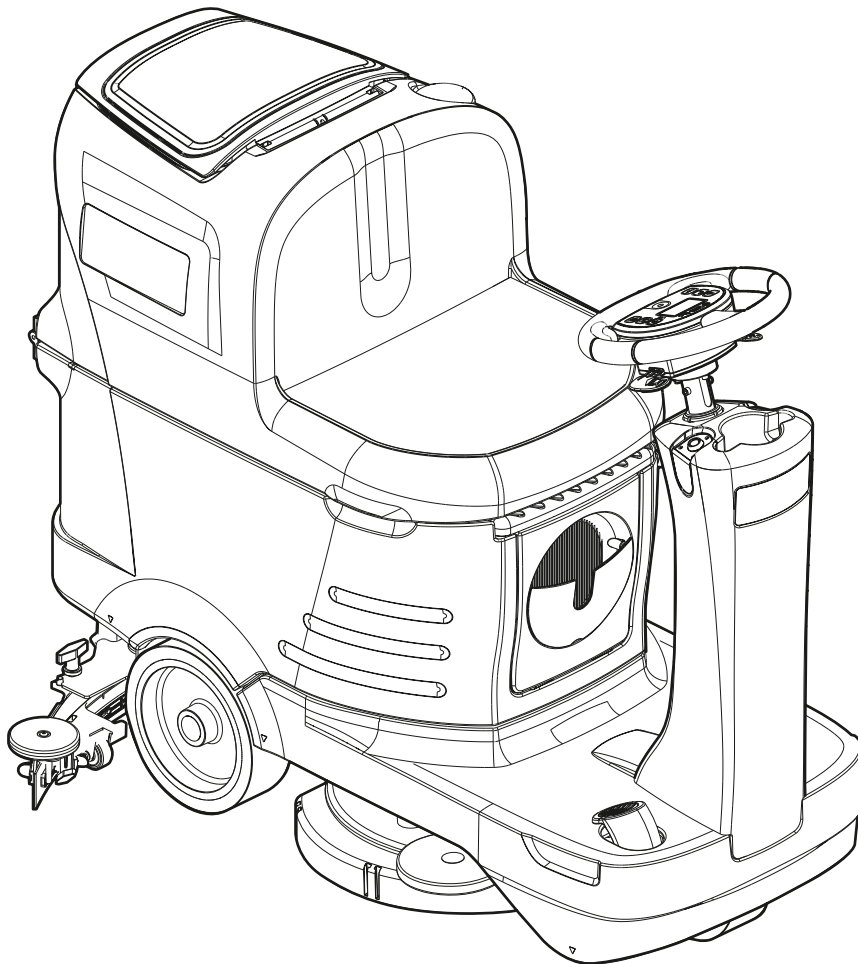


SC2000

Parts list

01/2015 Revised 07/2017
(B)
FORM NO. 9100000387

ecoflex™



Model No.:
9087412020
9087361020

TABLE OF CONTENTS

GENERAL VIEW	2
SOLUTION TANK SYSTEM	4
RECOVERY TANK SYSTEM	6
FOOTBOARD, COLUMN AND KEY SYSTEMS	8
CHASSIS SYSTEM	10
MOTOR DRIVE SYSTEM	12
FRONT WHEEL SYSTEM	14
STEERING COLUMN SYSTEM	16
STEERING WHEEL SYSTEM	18
SOLUTION SYSTEM	20
ACTUATORS SYSTEM	22
SQUEEGEE SYSTEM	24
BRUSH DECK SYSTEM	26
ELECTRICAL SYSTEM	28
BATTERY CHARGER SYSTEM	30
ECOFLEX SYSTEM (Model No.: 9087361020)	32
ECOFLEX SYSTEM (Model No.: 9087412020)	34
BEACON FLASHING, WATER FILLING, SPLASH GUARD, USB PORT	36
HOSE SUCTION HAND	38
BRUSHES	40
WIRING DIAGRAM (Model No.: 9087361020)	42
WIRING DIAGRAM (Model No.: 9087412020)	44
RECOMMENDED PARTS	46
RECOMMENDED PARTS - ACCESSORIES/OPTIONAL	47

WHEN ORDERING PARTS

- Use the part numbers from the “REF. NO.” columns in this parts list. If the “REF. NO.” column is blank; look under the “KIT” column to identify which kit contains the part in question, then use the kit callout, for example “K1”, to find the “REF. NO.” for that kit.
- Specify the model number and serial number of the machine.
- Use the space below to record the model number and serial number for future reference.

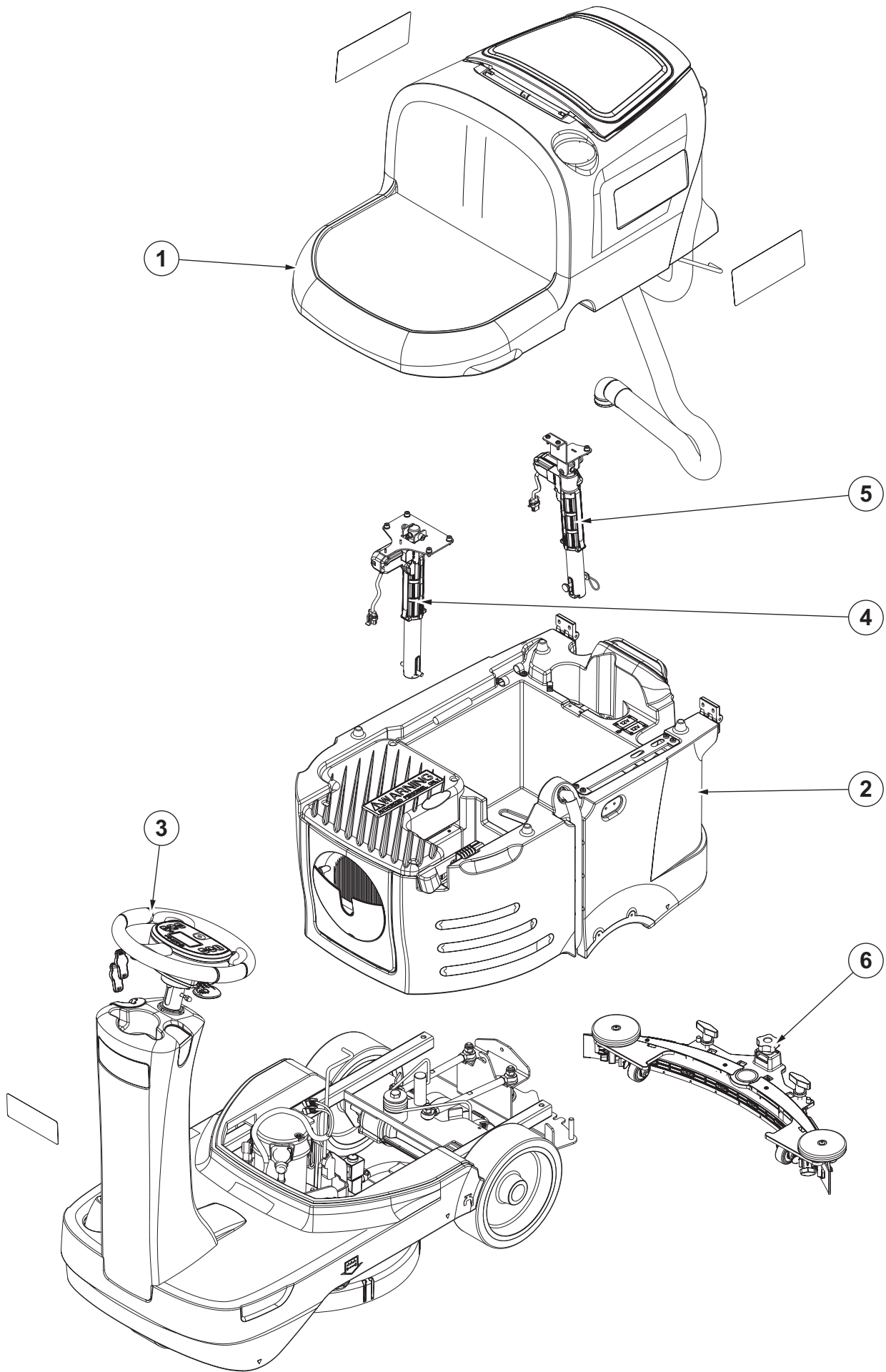
Model No.: Serial No.:

* = Optional

= Modified item No. or New item No.

[] = Not shown

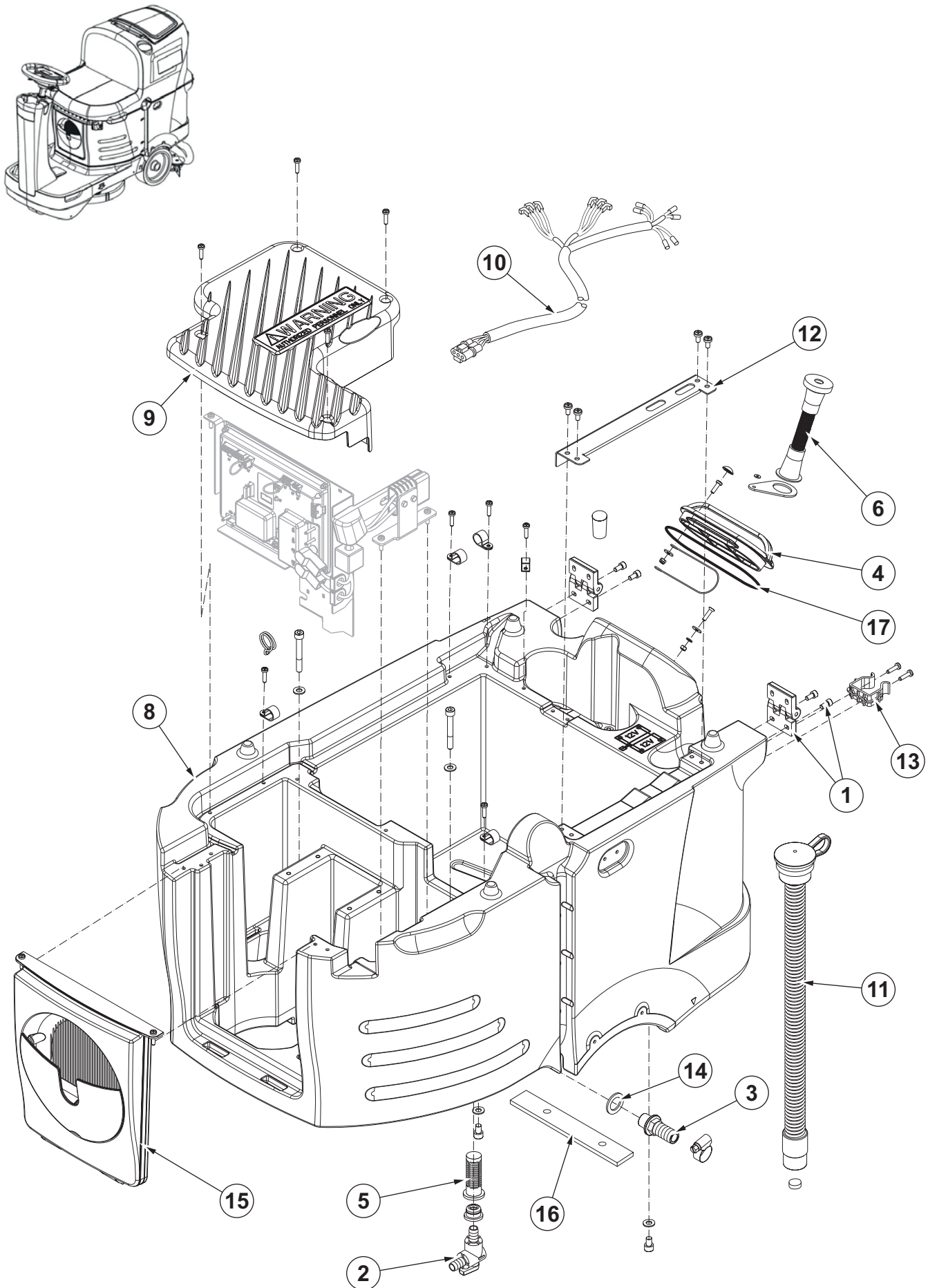
GENERAL VIEW



GENERAL VIEW

KIT	ITEM	REF. NO.	QTY	DESCRIPTION	NOTE
	1		1	RECOVERY ASSEMBLY	
	2		1	SOLUTION ASSEMBLY	
	3		1	BODY MACHINE ASSEMBLY	
	4		1	ACTUATOR FRONT ASSEMBLY	
	5		1	ACTUATOR REAR ASSEMBLY	
	6		1	SQUEEGEE ASSEMBLY	

SOLUTION TANK SYSTEM



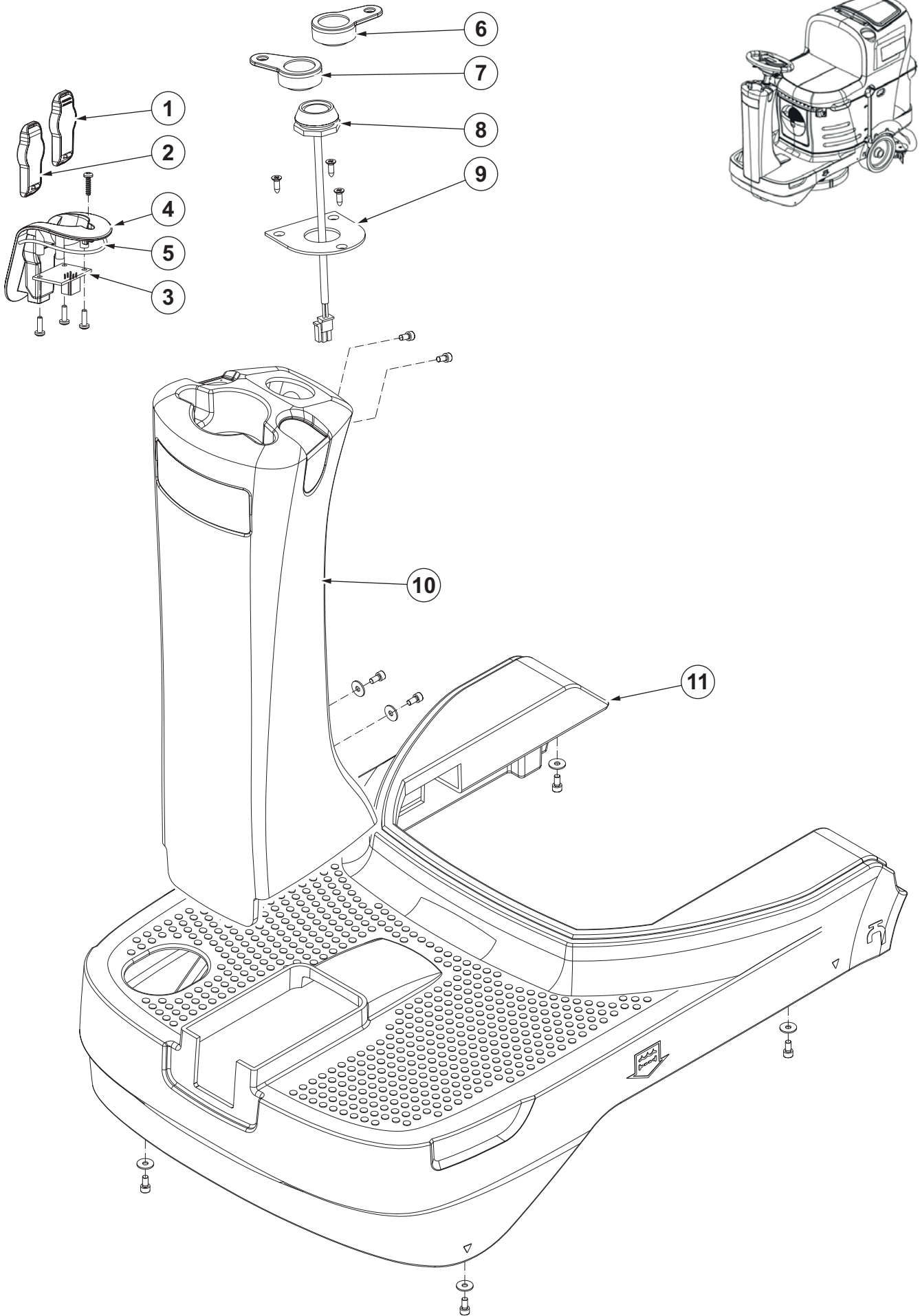
SOLUTION TANK SYSTEM

KIT	ITEM	REF. NO.	QTY	DESCRIPTION	NOTE
	1	9098329000	1	HINGES KIT	
	2	9100000803	1	VALVE ELBOW SIP	
	3	9100000574	1	FITTING STRAIGHT G1/2 D.20 KIT	
	4	1465355000	1	CAP SOLUTION TANK KIT	
	5*#	9100001353	1	FILTER SOLUTION TANK SIP	
	6*	9100000952	1	FILLING HOSE	(9100001072) INSTALLATION INSTRUCTIONS
	8#	9100001753	1	TANK SOLUTION 70 LT PLAST. GREY KIT	UNTIL S/N 3510161103624
	8#	9100001752	1	TANK SOLUTION 70 LT PLAST. GREY SIP	
	9	9100001102	1	COVER BATTERY CHARGER SIP	
	10	9100001120	1	HARNESS TANK SIP	
	11#	9100001578	1	HOSE FRESH WATER LEVEL KIT	(9100000968) INSTALLATION INSTRUCTIONS
	12	9100001129	1	SUPPORT F SAFETY BAR SIP	
	13	9100001164	1	CLAMP HOSE D.40 BLACK KIT	
	14	9100001139	2	GASKET RUBBER D.21X33X2.5 BLACK SIP	
	15	9100001182	1	COVER FUNCTIONS CARD KIT	
	16	9100001150	1	PROTECTION RUBBER ADHESIVE F TANK SIP	
	17#	9100001370	1	O-RING F. HEPA/ULPA FILTER SIP	

RECOVERY TANK SYSTEM

KIT	ITEM	REF. NO.	QTY	DESCRIPTION	NOTE
	1	9100000817	1	BALL FLOATING SIP	
K1	2		1	CAGE FLOAT	
	3#	9100001348	1	CLAMP 14/32-52 10 PCS SET	
	4	9100001130	1	CUSHION SEAT W. MICROSWITCH SIP	
K1	5		2	SCREW M6X20 ISO7380 SS	
K1	6	9100000928	1	GASKET FLOAT SUPPORT SIP	
K1	7		2	NUT JAW M6X6 INOX SS	
	8	9100000818	1	CAGE FLOAT HALF 2 PCS SET	
	9	9100001091	1	TRAY DEBRIS SIP	
	10	9100001092	1	COVER TRAY DEBRIS SIP	
	12	909 6380 000	1	CLAMP KIT	
	13	9100001095	1	TANK RECOVERY 70 LT GREY SIP	
	14	9100001106	1	HOSE SUCTION BLACK SIP	
	15#	9100001511	1	COVER RECOVERY TANK KIT	
	16	9100001113	1	HOSE DRAIN BLACK SIP	
K2	17		1	BAR SAFETY F TANK	
K2	18		1	PLATE F SAFETY BAR	
	19*	909 5065 000	1	FILTER ANTIFOAMING	
K2	20		4	SCREW M6X12 ISO7380	
	21	9100001164	1	CLAMP HOSE D.40 BLACK KIT	
	22	9100001143	1	SOUNDPROOFING UPPER VACUUM MOT. SIP	
	23	9100001181	1	MOTOR VACUUM 24V 310W KIT	
K1	24		2	WASHER 6X18X1.5 UNI6593 SS	
	25	9100001146	1	PLATE HARNESS PROTECTION SIP	
	26	9100001154	1	HOSE CORRUGATED BLACK D.6 L.150MM SIP	
K3	27		1	MOTOR GASKET LOWER DOMEL	
K3	28		1	FILTER	
	29	9100000822	1	SUPPORT INT. INSULATION VAC. MOTOR SIP	
	30	9100001116	1	HARNESS VACUUM MOTOR SIP	
K3	31		1	GASKET F VACUUM UPPER COVER	
K3	32		1	GASKET F VACUUM LOWER COVER	
	33	9100001142	1	SOUNDPROOFING VACUUM MOTOR SIP	
	34	9100001144	1	MOTOR VACUUM 24V 310W SIP	
K3	35		1	RUBBER SEALING DOMEL UPPER	
	[K1]#	9100001875	1	SUPPORT FLOAT KIT	
	[K2]	9100001165	1	BAR SAFETY F TANK KIT	
	[K3]	9100001166	1	GASKETS VACUUM MOTOR KIT	

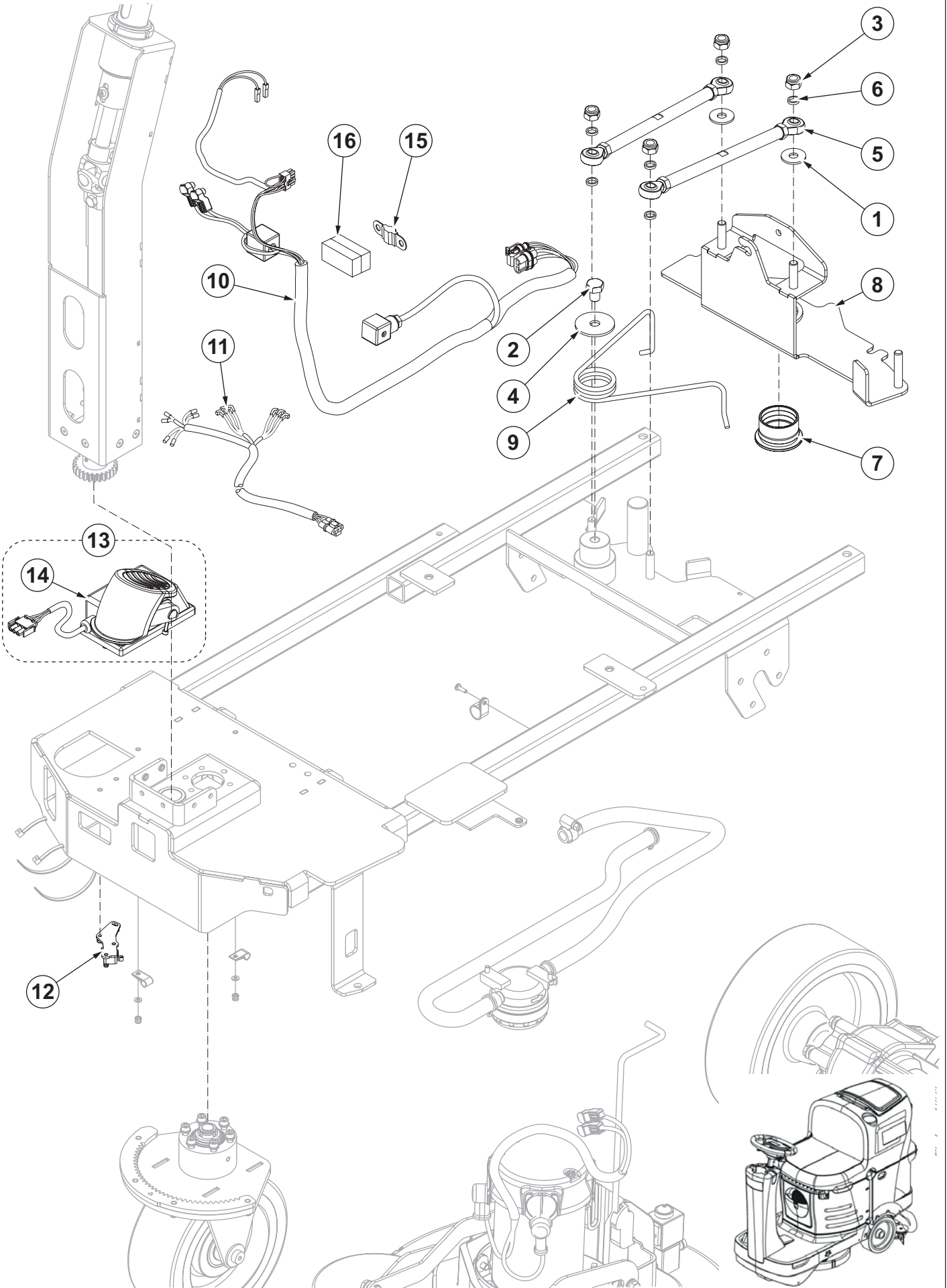
FOOTBOARD, COLUMN AND KEY SYSTEMS



FOOTBOARD, COLUMN AND KEY SYSTEMS

KIT	ITEM	REF. NO.	QTY	DESCRIPTION	NOTE
	1*	9100000843	1	OPERATOR KEY	Model No.: 9087361020
	2*	9100000848	1	SUPERUSER KEY	
	3	9100001105	1	CARD ELECTRONIC KEY SIP	
	4	9100001127	1	HOUSING OPERATOR KEY SIP	
	5	9100001148	1	GASKET F OPERATOR KEY HOUSING SIP	
	6*#	56116518	1	SMART KEY - USER	Model No.: 9087412020
	7*#	56116519	1	SMART KEY - SUPERVISOR	
	8#	56116477	1	SMART KEY - PROBE	
	9#	9100002386	1	PLATE GALV. F SMARTKEY SIP	
	10	9100001117	1	COLUMN STEERING GREY SIP	Model No.: 9087361020
	10#	9100002375	1	COLUMN STEERING PLAST. GREY SIP	Model No.: 9087412020
	11	9100001097	1	FOOTBOARD GREY SIP	

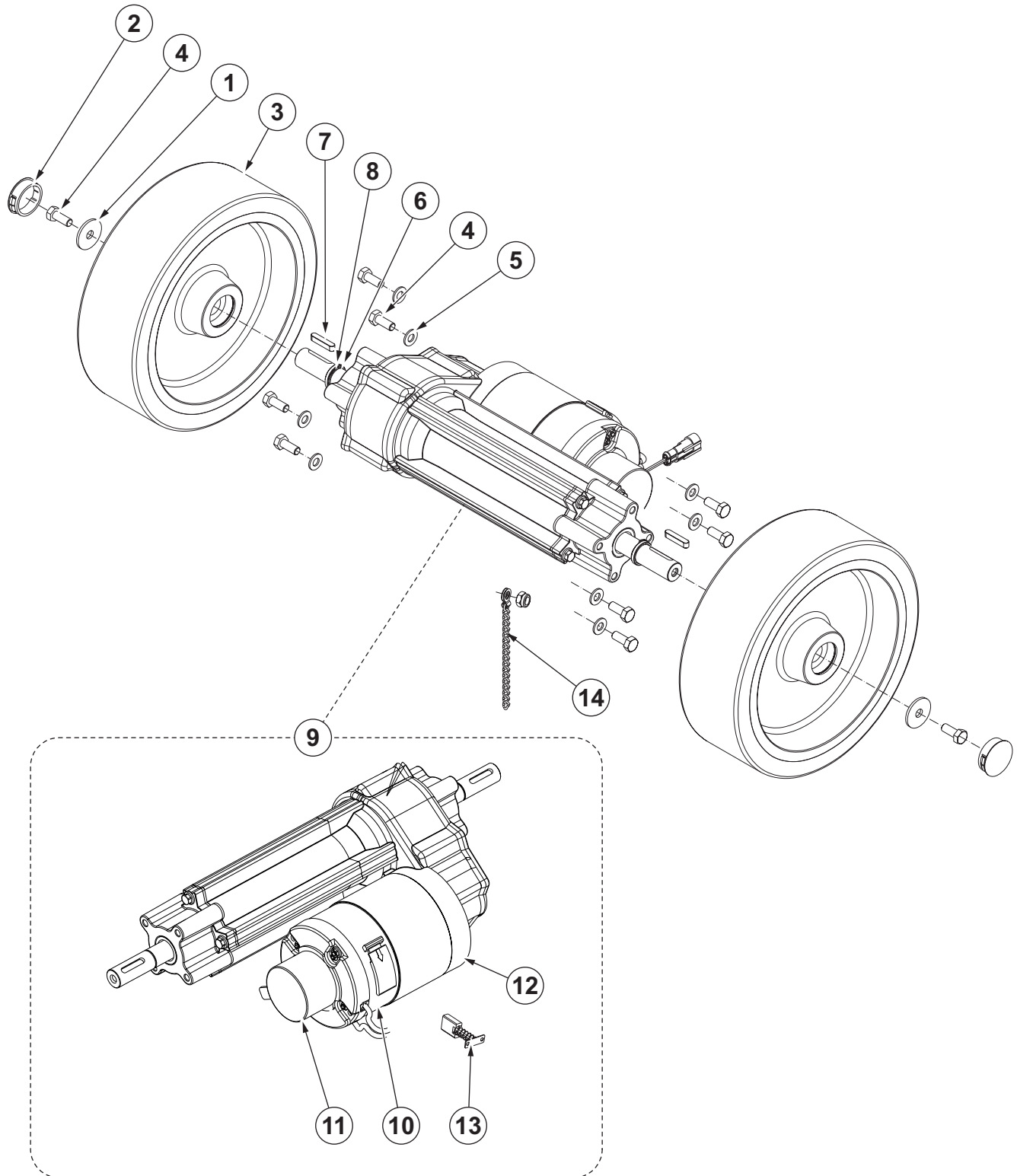
CHASSIS SYSTEM



CHASSIS SYSTEM

KIT	ITEM	REF. NO.	QTY	DESCRIPTION	NOTE
K1	1		2	WASHER 10X30 UNI6593	
K2	2		1	SCREW M12X16 UNI5739	
K1	3		4	NUT SELF L. M10 UNI7473	
K2	4		1	WASHER 12X48X3 UNI6593	
	5	9100001090	2	ROD EYE M10 SIP	
K1	6		6	SPACER D.10.5X14X3MM	
	7	9100001096	1	SLEEVE SUCTION HOSE SIP	
	8	9100001108	1	SUPPORT SQUEEGEE SIP	
K2	9		1	SPRING ZERO SETTING SQUEEGEE	
	10#	9100002236	1	HARNESS MACHINE SIP	
	11	9100001121	1	HARNESS FOOTBOARD SIP	Model No.: 9087361020
	11#	9100002385	1	HARNESS FOOTBOARD F GREY LINE SIP	Model No.: 9087412020
	12	9100001183	1	MICROSWITCH KIT	
	13	9100001180	1	THROTTLE KIT	
	14	9100001140	1	THROTTLE ELECTRONIC SIP	
	15#	9100002234	1	FUSE BOLT DOWN 50A SIP	
	16#	9100002235	2	HOLDER FUSE SIP	
	[K1]	9100001167	1	HARDWARE SAFETY BAR KIT	
	[K2]	9100001168	1	SPRING ZERO SETTING SQUEEGEE KIT	

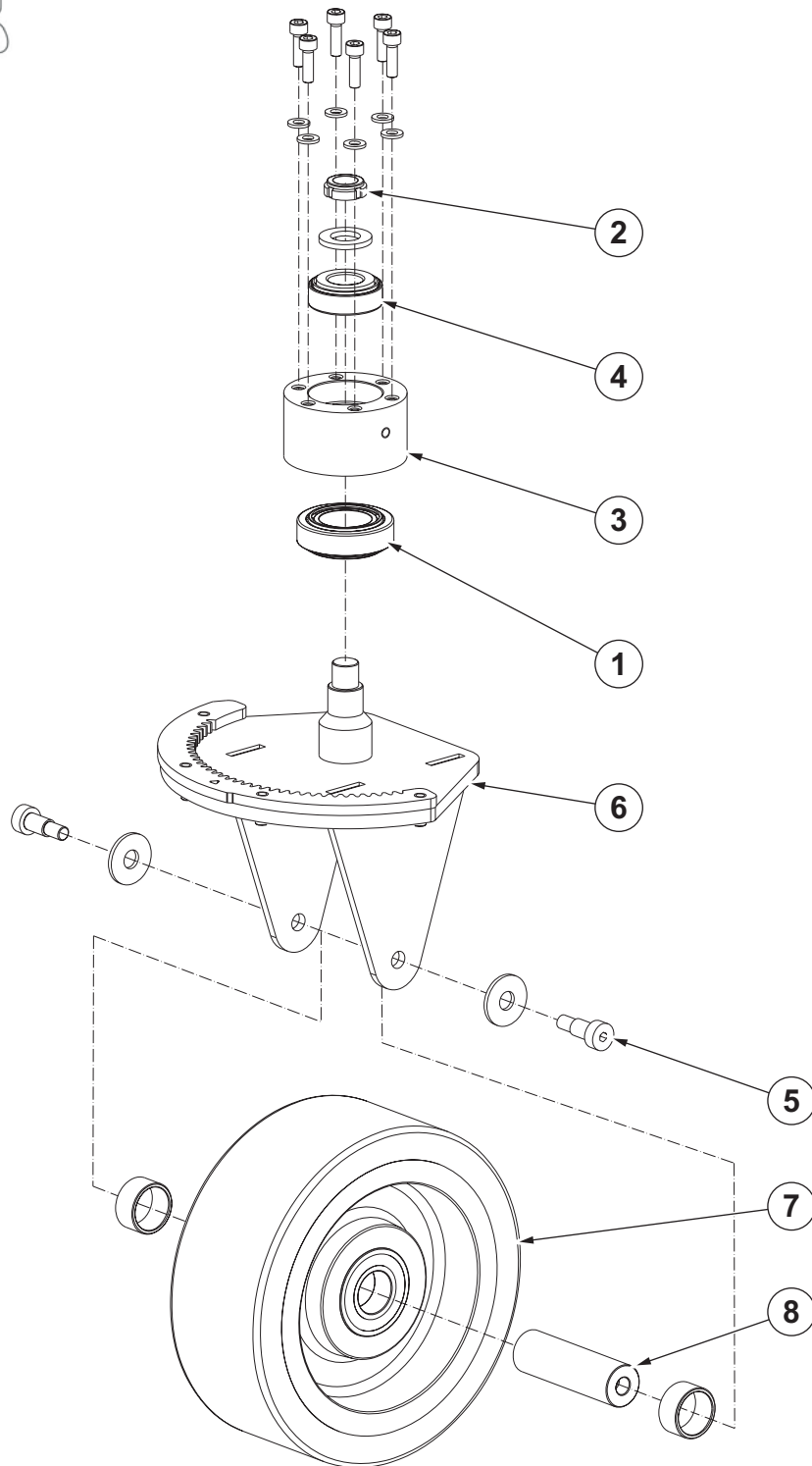
MOTOR DRIVE SYSTEM



MOTOR DRIVE SYSTEM

KIT	ITEM	REF. NO.	QTY	DESCRIPTION	NOTE
K1	1		2	WASHER 8.5X32X2 SS	
K1	2		2	CAP D.38.1	
	3	9100001162	1	WHEEL D.254X80 GREY-BLACK 2 PCS SET	
K1	4		10	SCREW M8X20 UNI5739 SS	
	5#	9100001351	1	WASHER M8 UNI6592 SS10 PCS SET	
	6#	9100001346	1	RING D 20 UNI7435 10 PCS SET	
	7	9100001156	1	KEY JOINT 6X30 UNI6604A 10 PCS SET	
	8	9100001161	1	SPACER 20.5X25X4 10 PCS SET	
	9	9100001099	1	MOTOR DRIVE 400W 24V 125RPM SIP	
	10	9100001198	1	BAND METAL F ELECTRIC MOTOR FIXING KIT	
	11	9100001199	1	ELECTROMAGNETIC BRAKE SIP	
	12	9100001200	1	MOTOR ELECTRIC 400W 24V SIP	
	13	1464432000	1	CARBON BRUSHES KIT 4 PCS	
	14#	9100002418	1	CHAIN ANTISTATIC KIT	STARTING FROM S/N SEE REFERENCE ON WEB PARTS
[K1]		9100001169	1	HARDWARE WHEEL D.254X80 KIT	

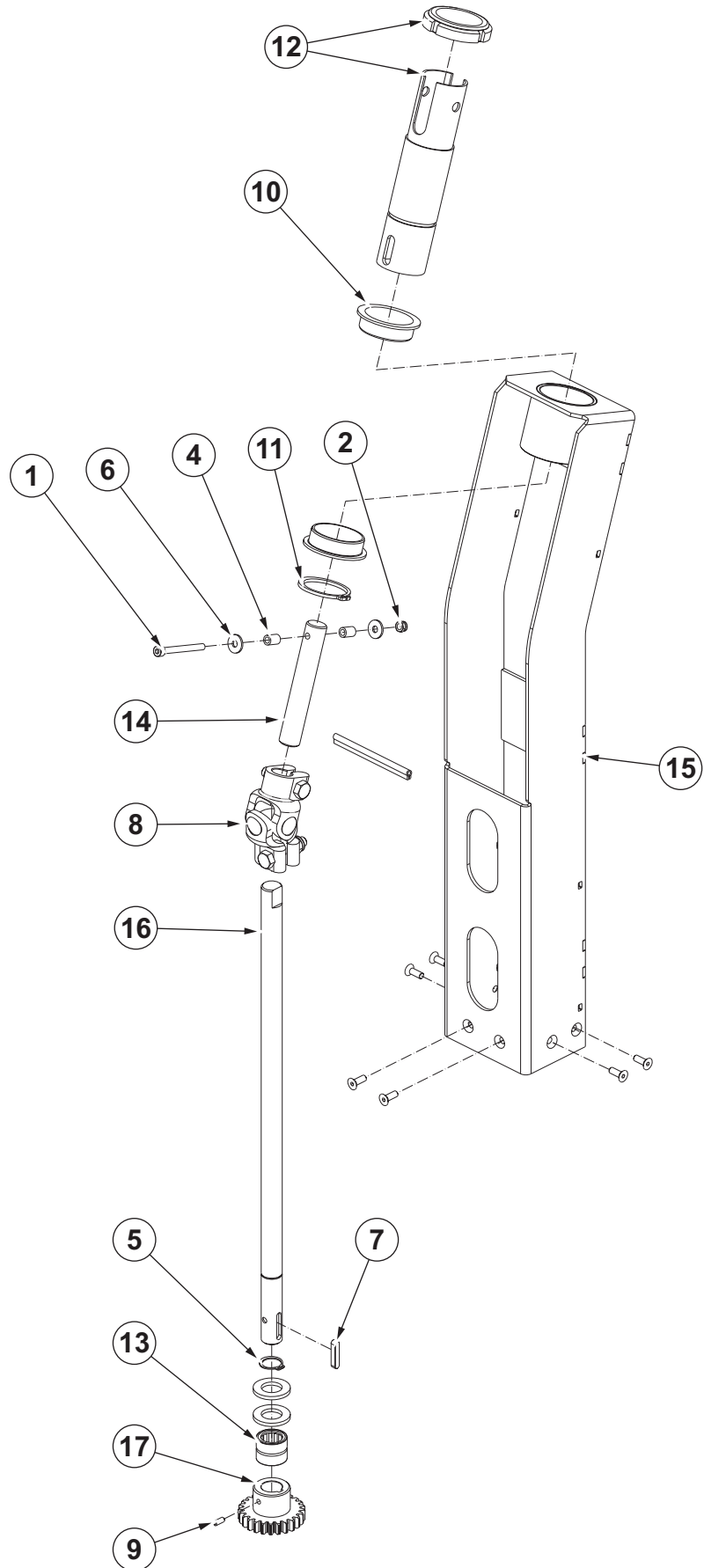
FRONT WHEEL SYSTEM



FRONT WHEEL SYSTEM

KIT	ITEM	REF. NO.	QTY	DESCRIPTION	NOTE
	1#	1467636000	1	BEARING TAPER ROLLER 32006 SIP	
	2#	9100001349	1	NUT RING M15X1 KMA2 LIGHT S. 10 PCS SET	
	3#	9100001734	1	SUPPORT BALL BEARING SIP	
	4#	1467639000	1	BEARING TAPER ROLLER 32004X	
	5	9100001160	1	SCREW 10X16 M8 ISO7379 12.9 10 PCS SET	
	6#	9100001646	1	SUPPORT FRONT WHEEL ASSEMBLED SIP	
	7#	9100002334	1	WHEEL D.200X76 GREY-BLACK SIP	
	8	9100001101	1	PIN WHEEL SIP	

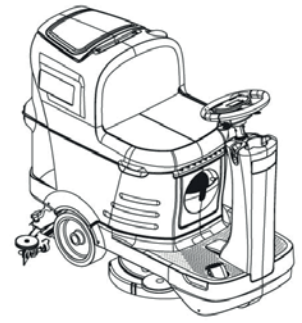
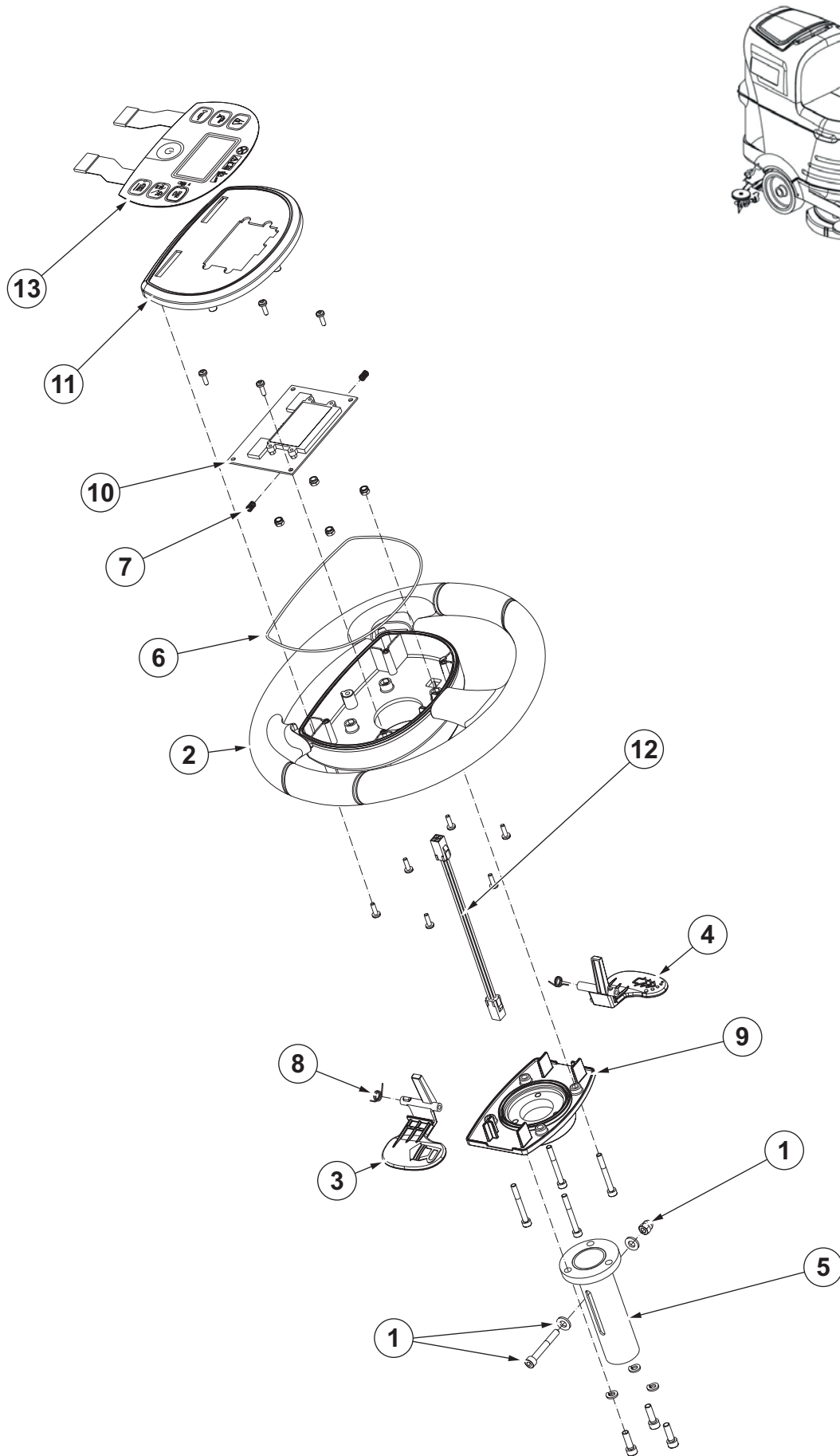
STEERING COLUMN SYSTEM



STEERING COLUMN SYSTEM

KIT	ITEM	REF. NO.	QTY	DESCRIPTION	NOTE
K1	1		1	SCREW M5X50 UNI5931 5X50	
K1	2		1	NUT SELF L. M5 UNI7474	
K1	4		2	SPACER D.5X8X11.5	
	5#	9100001345	1	RING D 17 UNI7435 10 PCS SET	
K1	6		2	WASHER 5X15X1.5 UNI6593	
	7	1466146000	1	KEY 5X5X25 UNI6604A SIP	
	8	1466319000	1	JOINT UNIVERSAL D.17 SIP	
	9#	9100001350	1	SCREW GRUB M5X10 UNI5929 10 PCS SET	
	10	9100001085	2	BEARING FLANGE IGLIDUR GFM-4044-14 SIP	
	11	9100001087	1	RING D.40 UNI7436 SIP	
	12#	9100001450	1	TUBE STEERING KIT	
	13	9100001093	1	BEARING NEEDLE ROLLER NK 17/20 SIP	UNTIL S/N 3510163104804
	13#	9100001449	1	HARDWARE STEERING SUPPORT KIT	
	13#	9100002416	1	BEARING BALL 6203 2RS 2 PCS SET	STARTING FROM S/N 3510163104805
	14	9100001107	1	SHAFT STEERING UPPER SIP	
	15	9100001109	1	SUPPORT STEERING COLUMN SIP	
	16	9100001110	1	SHAFT STEERING LOWER SIP	
	17	9100001125	1	PINION Z25 SIP	
[K1]		9100001170	1	HARDWARE STEERING TUBE KIT	

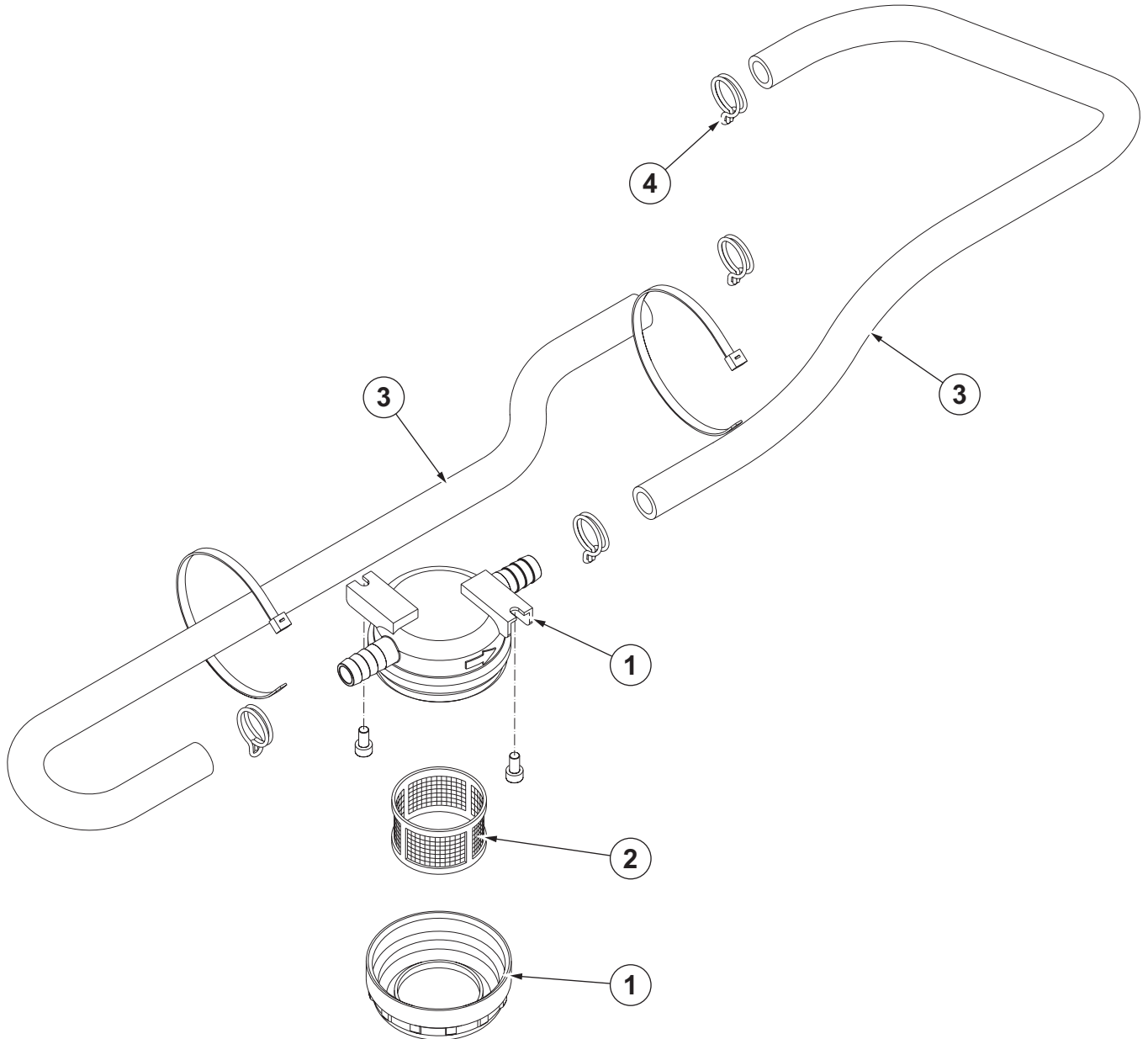
STEERING WHEEL SYSTEM



STEERING WHEEL SYSTEM

KIT	ITEM	REF. NO.	QTY	DESCRIPTION	NOTE
	1	9100001171	1	HARDWARE STEERING WHEEL KIT	
	2	9100001082	1	WHEEL STEERING D.320X281 SIP	
	3	9100001083	1	LEVER RIGHT PA YELLOW SIP	
	4	9100001084	1	LEVER LEFT PA BLACK SIP	
	5	9100001086	1	TUBE ADJUST.STEERING WHEEL SIP	
	6	9100001088	1	GASKET ROUND D.2MM SIP	
	7	9100001157	1	SPRING MOVING BOTTON 10 PCS SET	
	8	9100001158	1	SPRING TORSION FOR STEERING 10 PCS SET	
	9	9100001089	1	COVER LOWER SIP	
	10	9100001104	1	CARD ELECTRONIC DISPLAY SIP	Model No.: 9087361020
	10#	9100002373	1	CONTROLLER DISPLAY SIP	Model No.: 9087412020
	11	9100001114	1	COVER STEERING WHEEL SIP	
	12	9100001115	1	CABLE DISPLAY CARD EXTENSION SIP	Model No.: 9087361020
	12#	9100002372	1	CABLE EXTENSION F CONTROLLER DISPLAY SIP	Model No.: 9087412020
	13	9100001123	1	DASHBOARD CONTROL PANEL SIP	

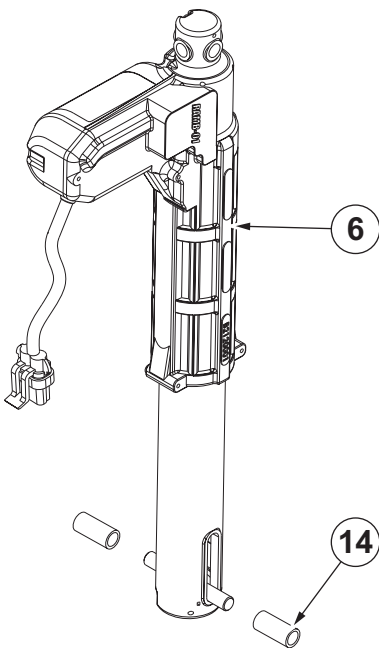
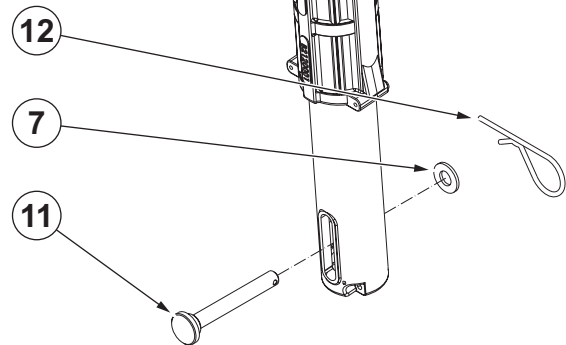
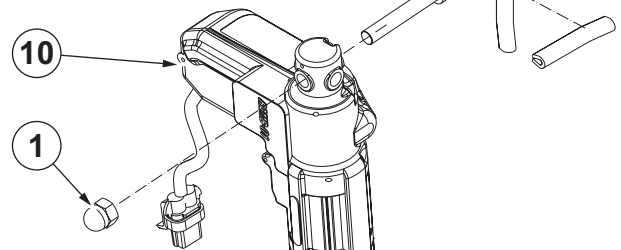
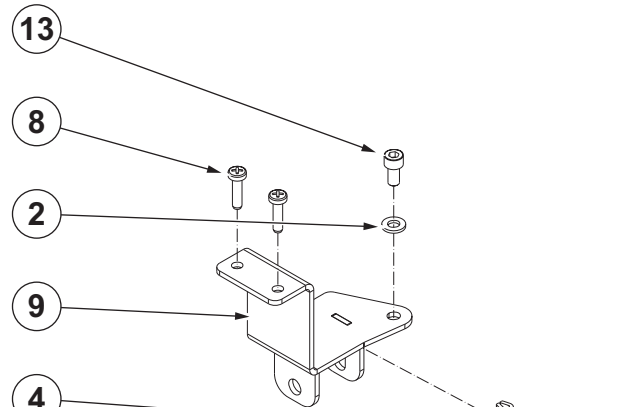
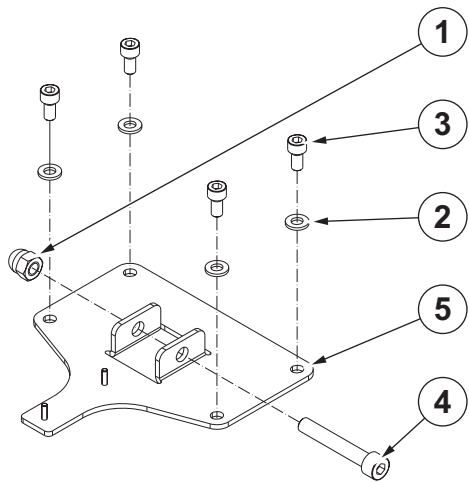
SOLUTION SYSTEM



SOLUTION SYSTEM

KIT	ITEM	REF. NO.	QTY	DESCRIPTION	NOTE
	1	910000860	1	FILTER WATER SIP	
	2	910000861	1	NET WATER FILTER REINFORCED SIP	
	3	910001174	1	HOSES SOLUTION KIT	
	4	910001159	1	CLAMP DOUBLE W. SPRING D.18 10 PCS SET	

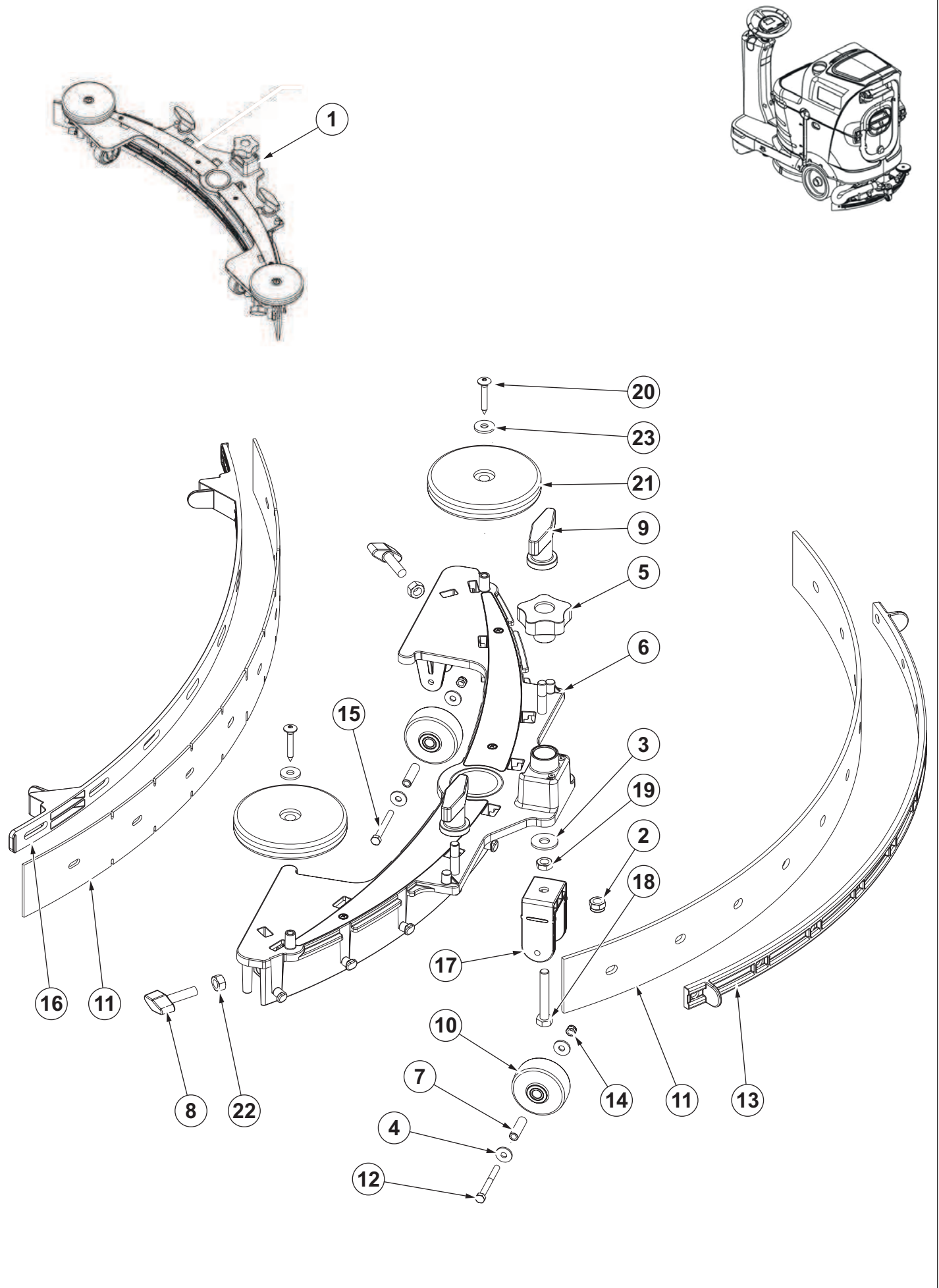
ACTUATORS SYSTEM



ACTUATORS SYSTEM

KIT	ITEM	REF. NO.	QTY	DESCRIPTION	NOTE
K2	1		2	NUT.M8	
K1	2		5	WASHER M6 UNI6592	
K1	3		5	SCREW M6X12 UNI5931 SS	
K2	4		2	SCREW M8X50 UNI5931 THREADED TOTALLY	
	5	9100001126	1	SUPPORT DECK ACTUATOR SIP	
	6	9100001131	1	ACTUATOR 24V DC STROKE 98MM SIP	SEE TSB-FC-2016-007
K2	7		1	WASHER M8 UNI6592	
K1	8		2	SCREW CYL HD 5X20 SELF L. PLASTOFAST	
	9	9100001103	1	SUPPORT SQUEEGEE ACTUATOR SIP	UNTIL S/N 3510163404520
	9#	9100001754	1	SUPPORT SQUEEGEE ACTUATOR GALV. SIP	STARTING FROM S/N 3510163404521
	10	9100001133	1	ACTUATOR 24V DC STROKE 77.5MM SIP	
K2	11		1	PIN SQUEEGEE ACTUATOR	
K2	12		1	PIN SPLIT 2X50 UNI8833	
K1	13		1	SCREW M6X12 UNI5931	
	14#	9100002105	1	CAP D.9 PLASTIC 10 PCS SET	SEE TSB-FC-2016-021
	[K1]#	9100001663	1	HARDWARE ACTUATOR SUPPORT KIT	
	[K2]	9100001173	1	HARDWARE ACTUATOR KIT	

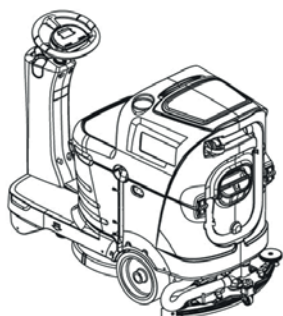
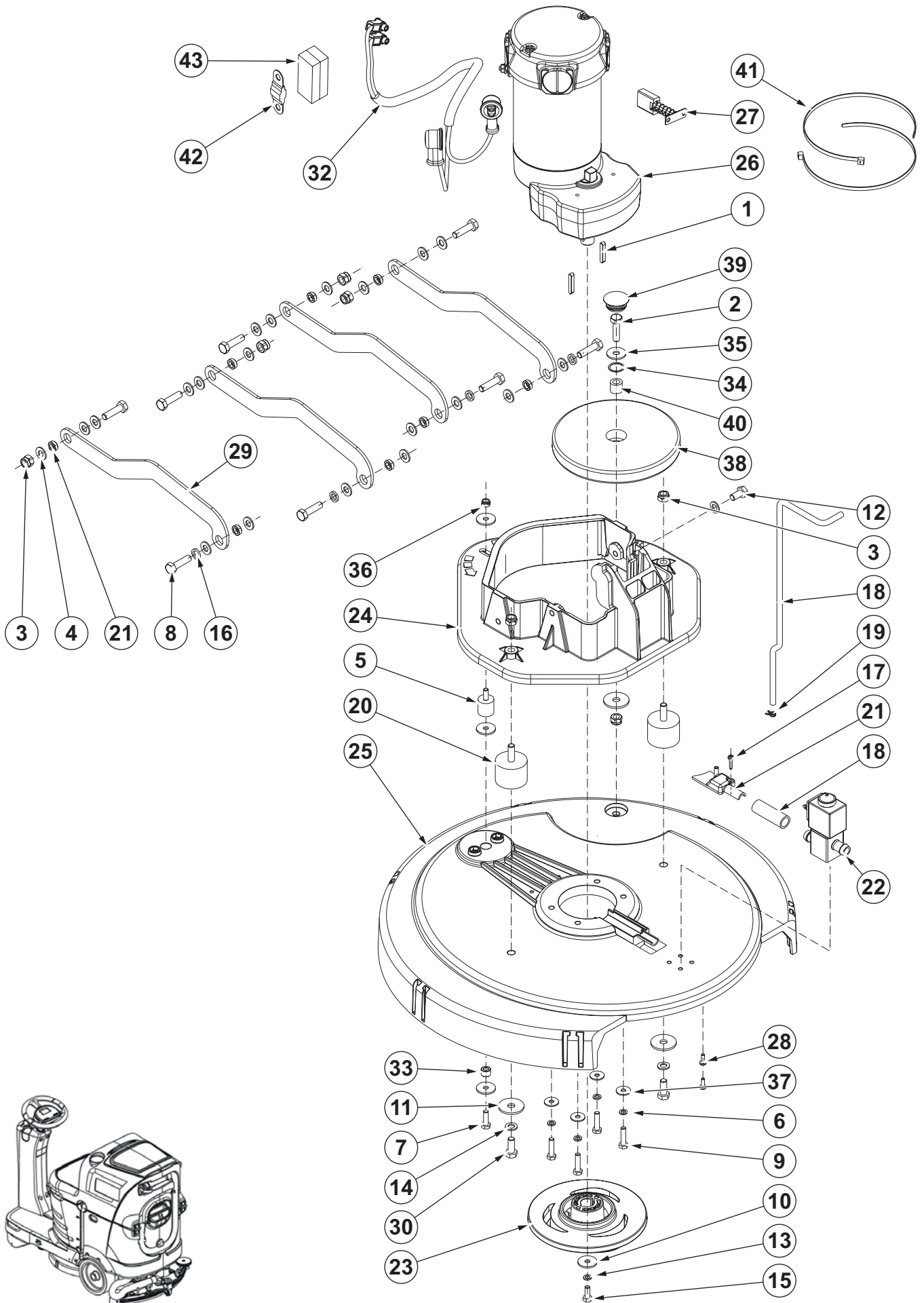
SQUEEGEE SYSTEM



SQUEEGEE SYSTEM

KIT	ITEM	REF. NO.	QTY	DESCRIPTION	NOTE
	1*#	9100001367	1	SQUEEGEE NON MARKING 730MM/29 KIT	
K1	2		1	NUT SELFLOCKING LOW M8 UNI7474 SS	
K1	3		1	WASHER 8X24 UNI6592 SS	
K1	4		6	WASHER 5X15X1.2 UNI6593 SS	
	5	9100000862	1	KNOB LOBES M8 FEMALE SIP	
	6	9100000747	1	SQUEEGEE 730MM/29 PRE-ASSEMBLED SIP	
K1	7#	9100002408	1	SPACER 5.1X8X28.5 PLASTIC 3 PCS SET	
	8	9100000791	2	KNOB M8X30 THD STUD SS SIP	
	9	9097637000	1	SQUEEGEE FIXING KIT	
	10	9100000559	3	WHEEL D.51 GREY SIP	
	11*	9100000810	1	BLADE SQUEEGEE 740MM 29 GUM KIT	
	11*	9100000490	1	BLADE SQUEEGEE 730MM 29 PU KIT	
	11*	9100000060	1	BLADE SQUEEGEE 730MM 29 RED GUM KIT	
K1	12		1	SCREW M5X50 UNI5737 SS	
	13	9100000864	1	STRAP ELASTIC F REAR SQUEEGEE BL. SIP	
K1	14		3	NUT SELFLOCKING LOW M5 UNI7474 SS	
K1	15		2	SCREW M5X45 UNI5737 SS	
	16	9100000865	1	STRAP FRONT SQUEEGEE BLADE SIP	
	17	9100000866	1	SUPPORT SQUEEGEE WHEEL SIP	
K1	18		1	SCREW M8X50 HEX HD F/THD SS ISO4017	
K1	19		1	NUT HEX M8 ISO4035 SS	
K1	20		2	SCREW 5X35 SELF THD TAPPING AW20 BLACK	
	21#	9100001816	1	WHEEL BUMPER D.100 PLASTIC 2 PCS SET	
K1	22		2	NUT HEX M8 UNI5588 SS	
K1	23		2	WASHER 6X18X1.5 UNI6593 SS	
	[K1]	9100000748	1	HARDWARE SQUEEGEE KIT	

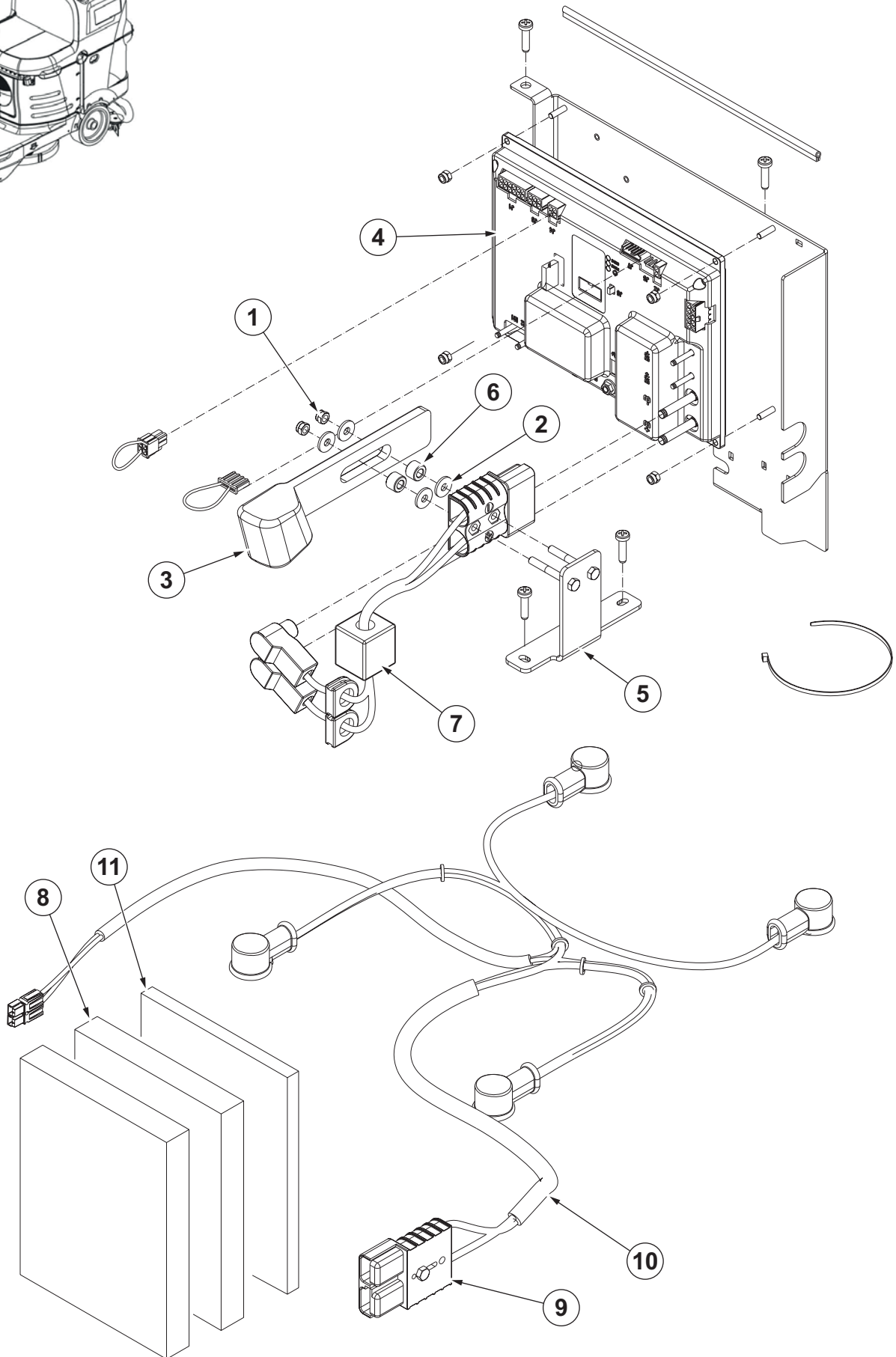
BRUSH DECK SYSTEM



BRUSH DECK SYSTEM

KIT	ITEM	REF. NO.	QTY	DESCRIPTION	NOTE
	1	9100000875	1	KEY 5X5X30 DIN6885 2 PCS SET	
K1	2		1	SCREW M8X30 UNI5739	
K2-3	3		7	NUT SELFLOCKING LOW M8 UNI7474 SS	
K2	4		20	WASHER M8 UNI6592 SS	
	5#	9100001352	1	VIBRATION-DAMPING M6 60SH SIP	
K3	6		5	WASHER M6 UNI8842A SS	
	7#	9100001347	1	SCREW M6X20 UNI5739 SS 10 PCS SET	
K2	8		8	SCREW M8X25 UNI5739 SS	
K3	9		4	SCREW M6X25 UNI5739 SS	
K3	10		4	WASHER 6.6X24X2 UNI6593 SS	
K3	11		3	WASHER 8.5X32X2 SS	
K3	12		1	SCREW M8X16 UNI5739 SS	
K3	13		1	WASHER NORD LOCK M6 DIN25201	
K3	14		3	WASHER M8 UNI8842A SS	
K3	15		1	SCREW M6X16 UNI5739 SS	
K2	16		4	WASHER NORD LOCK M8	
K3	17		1	SCREW 3.5X16 SELF THD PAN PHIL F PLASTIC	
	18	9100000797	1	HOSES BRUSH DECK KIT	
K3	19		1	CLAMP 6.6X 7	
	20	9100000868	1	VIBRATION DAMPING M8 60SH 2 PCS SET	
	21	9100000869	1	COVER SOLUTION HOSE SUPPORT SIP	
	22	9100000870	1	SOLENOID VALVE 24V SIP	
	23	9100000871	1	HUB BRUSH SIP	
	24	9100000872	1	PLATE BRUSH DECK HOLDER SIP	
	25	9100000873	1	DECK BRUSH SIP	
	26	9100000874	1	REDUCTION GEARMOTOR 450W 24V SIP	
	27	9098376000	1	CARBON BRUSHES KIT 4 PCS	
K3	28		2	SCREW PAN HD SELF 4x12 SS	
	29	9100001163	1	ARM BRUSH DECK LIFTING 4 PCS SET	
K3	30		2	SCREW M8X20 UNI5739 SS	
K2	31		8	BUSHING D.8.1X13X4.3	
	32	9100001132	1	HARNESS BRUSH MOTOR SIP	
K3	33		1	SPACER D.6X12X8.5	
K1	34		1	WASHER 15	
K1	35		1	WASHER 8X24X2 FLAT ISO7093	
K3	36		1	NUT SELF L. M6 UNI7474 SS	
K3	37		4	WASHER 6X18X1.5 UNI6593 SS	
K1	38		1	ROLLER BUMPER D.160 BLACK	
K1	39		1	CAP. BLACK	
K1	40		1	SPACER 9X15X13	
K3	41		2	TIE CABLE 4.8X500 BLACK	
	42#	9100002234	1	FUSE BOLT DOWN 50A SIP	
	43#	9100002235	2	HOLDER FUSE SIP	
[K1]	909 6887 000		1	ROLLER BUMPER KIT	
[K2]	9100001175		1	HARDWARE BRUSH DECK LIFTING ARMS KIT	
[K3]	9100001176		1	HARDWARE BRUSH DECK KIT	

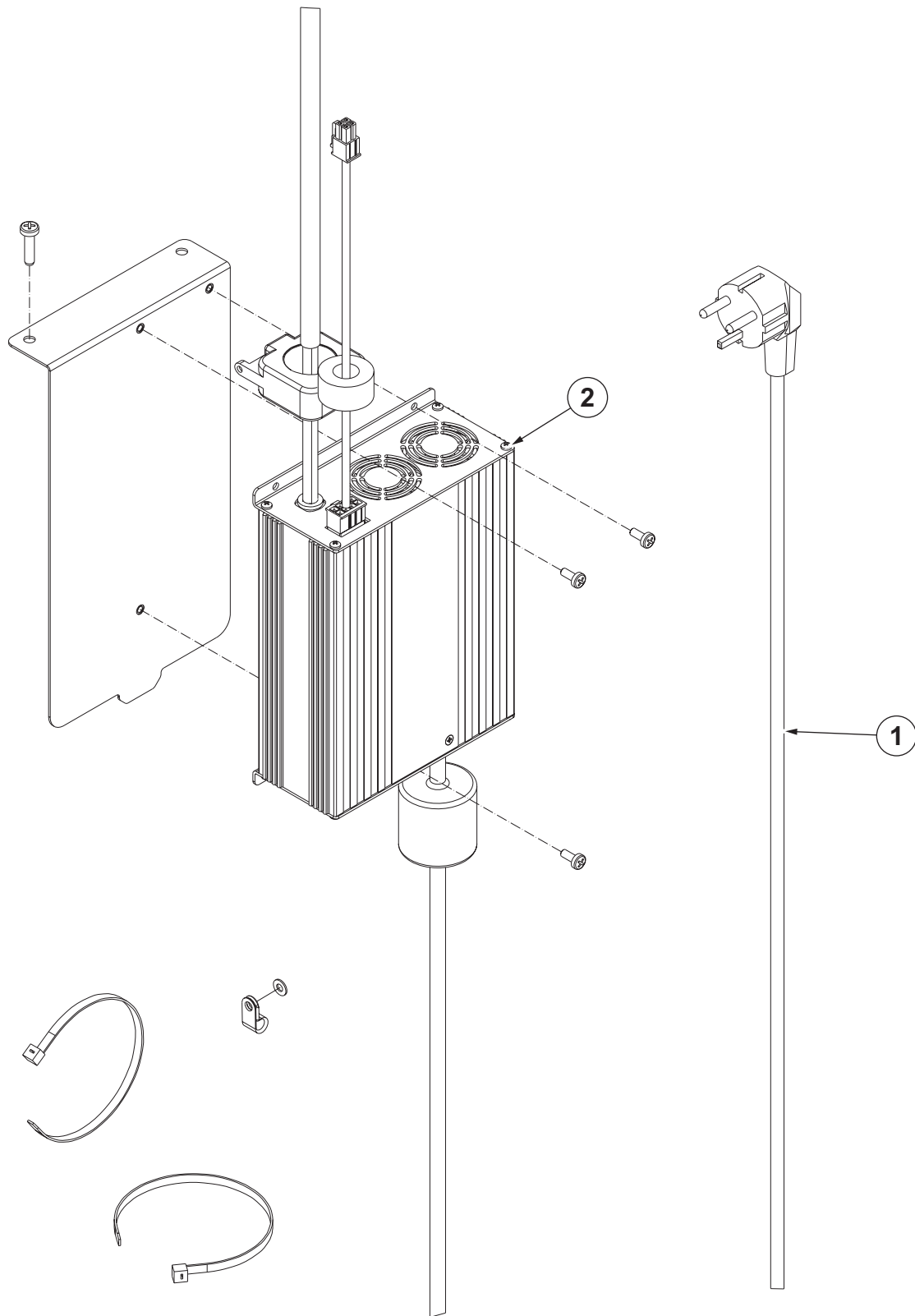
ELECTRICAL SYSTEM



ELECTRICAL SYSTEM

KIT	ITEM	REF. NO.	QTY	DESCRIPTION	NOTE
K2	1		2	NUT SELF L. M5 UNI7474	
K2	2		4	WASHER 5X15X1.5 UNI6593	
K2	3		1	LEVER BATTERY CONNECTOR	
	4	9100001122	1	CONTROLLER MAIN MACHINE SIP	SEE TSB-FC-2016-007 Model No.: 9087361020
	4#	9100002376	1	CONTROLLER MAIN MACHINE SIP	Model No.: 9087412020
K2	5		1	SUPPORT F BATTERY CONNECTOR	
K2	6		2	SPACER D.6X12X8.5	
	7	9100001141	1	HARNESS F ELECT. COMPONENTS BOX SIP	
K1	8		2	PANEL INSULATING	
	9#	9100002117	1	CONNECTOR RED 120A 2 PCS SET	
	10	9100001015	1	HARNESS BATTERY US SIP	
K1	11		1	ISOLANT PANEL	
	[K1]	9100001177	1	PANELS INSULATING KIT	
	[K2]	9100001179	1	LEVER EMERGENCY KIT	

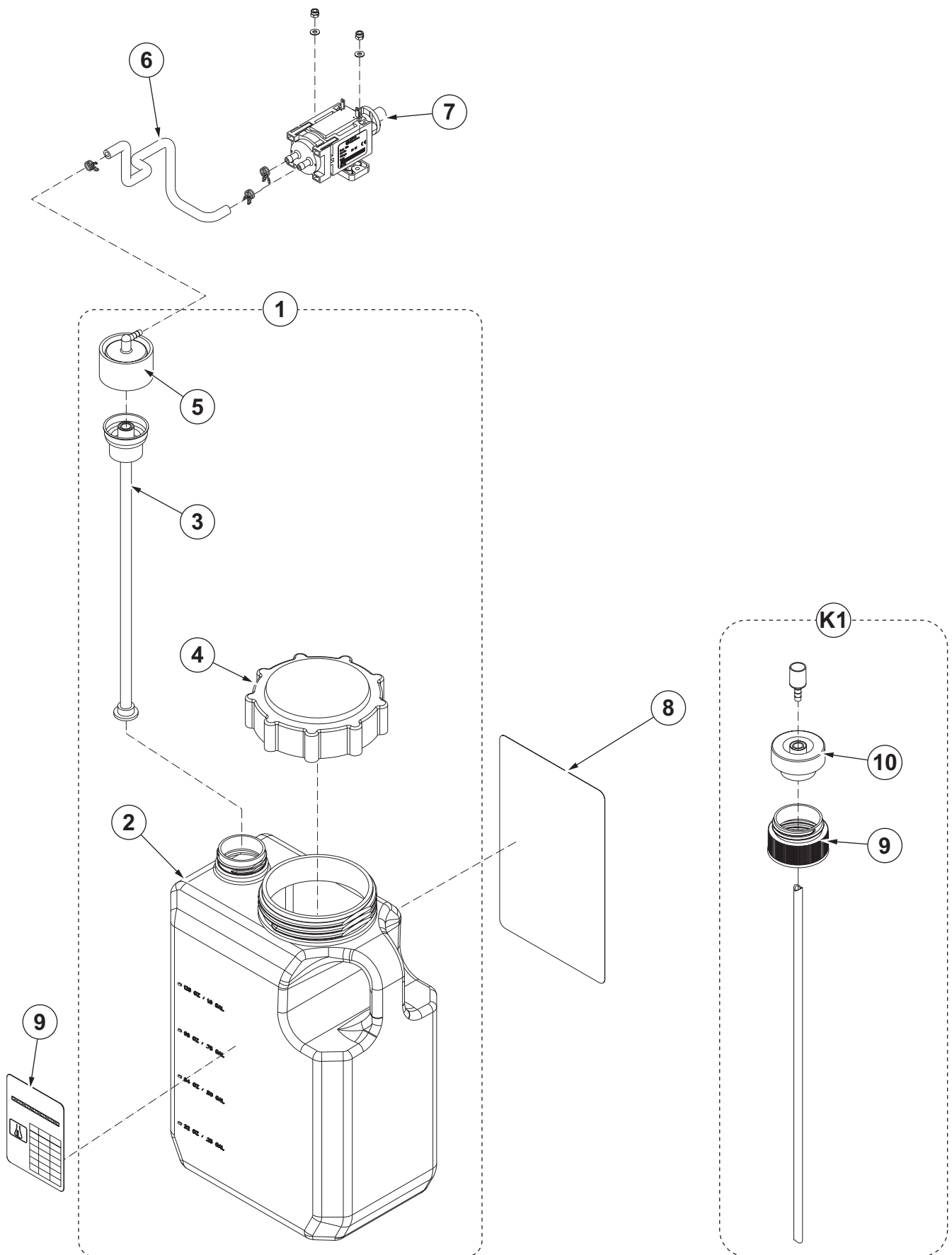
BATTERY CHARGER SYSTEM



BATTERY CHARGER SYSTEM

KIT	ITEM	REF. NO.	QTY	DESCRIPTION	NOTE
K1	1	910000890	1	CABLE EXTENSION US PLUG L.2000MM SIP	
K1	2	910001145	1	CHARGER BATT. O/B 24V 13A 100-230V SIP	

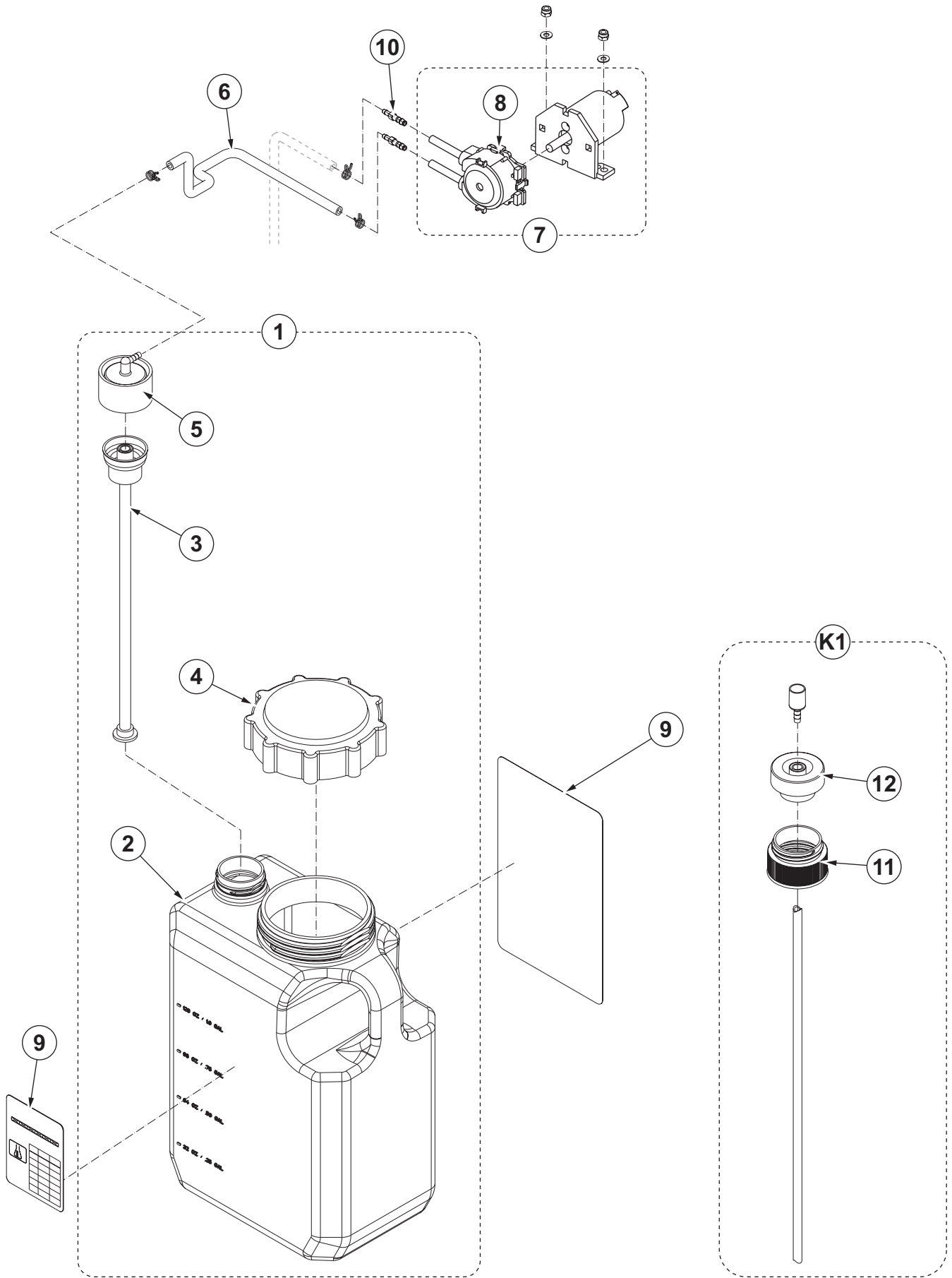
ECOFLEX SYSTEM (Model No.: 9087361020)



ECOFLEX SYSTEM (Model No.: 9087361020)

KIT	ITEM	REF. NO.	QTY	DESCRIPTION	NOTE
	1#	56104190	1	DETERGENT TANK	
	2	9100001081	1	DETERGENT TANK SIP	
	3	56104189	1	INSERT-DRY BRAKE	
	4	56315517	1	CAP	
	5	56315523	1	CAP DRY BREAK 1/8 BARB	
	6	9100000891	1	HOSE SILICONE D.4X7 L.300MM SIP	
	7#	9100001819	1	PUMP DETERGENT MIX SIP	
	8#	9100002409	1	DECALS ADVANCE SC2000 KIT	
K1	9	9097023000	1	ADAPTER DETERGENT TANK	
K1	10	9097022000	1	SENSOR DETERGENT MIX LEVEL	
	K1*	9098025000	1	ADAPTER DETERGENT KIT	

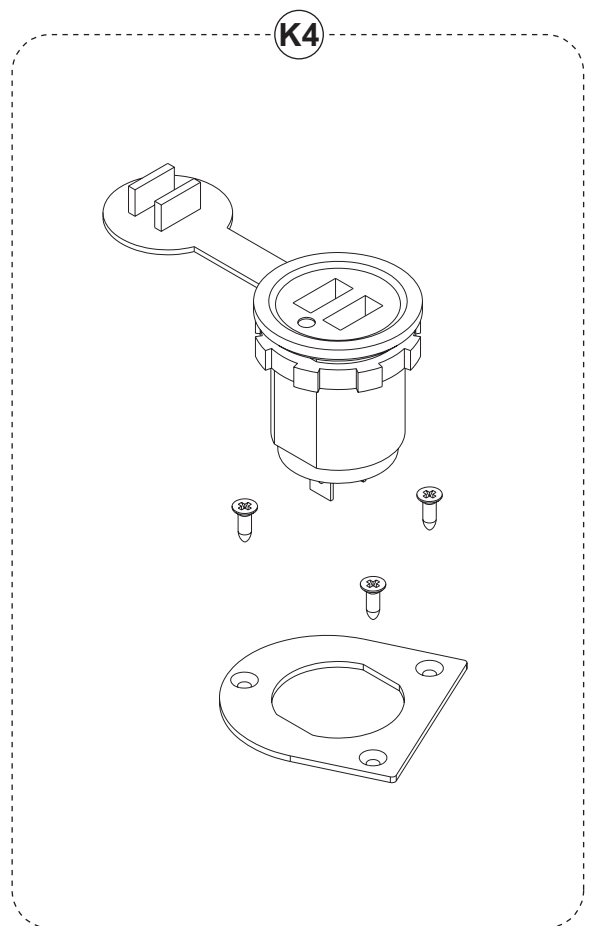
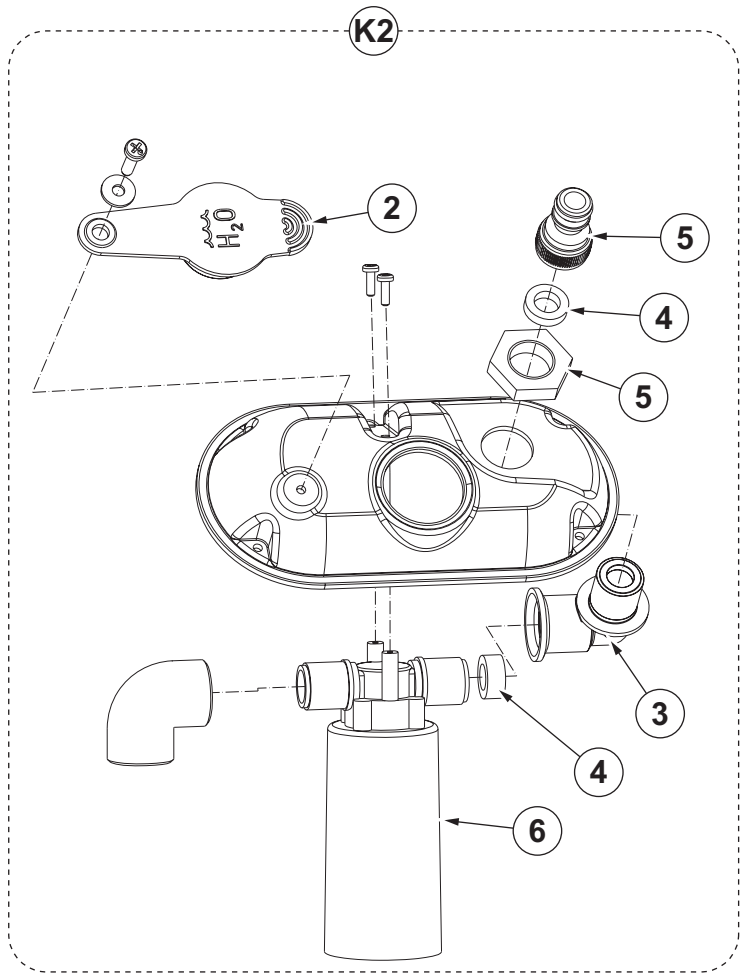
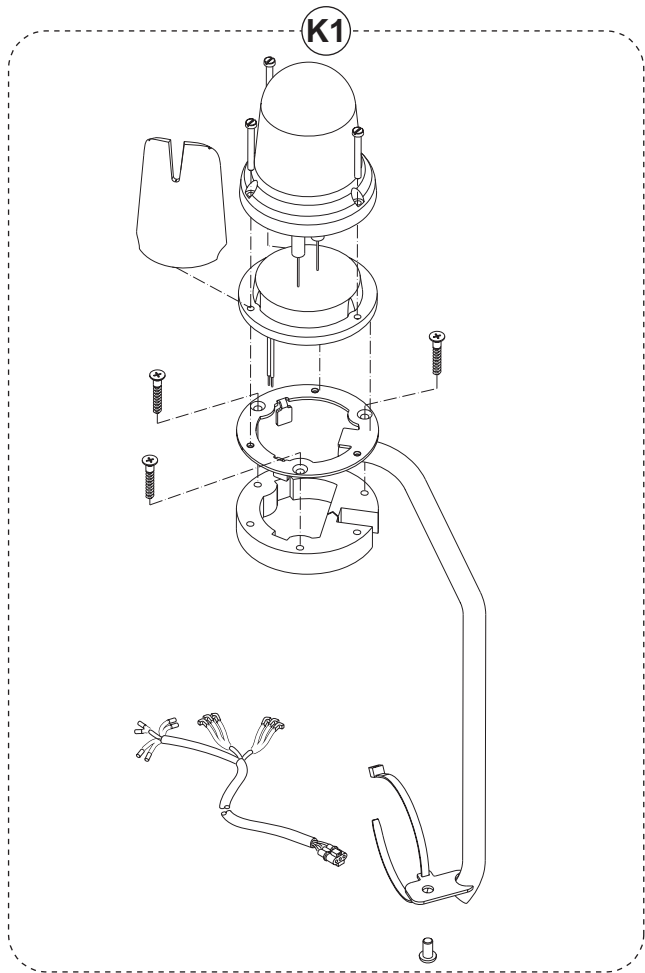
ECOFLEX SYSTEM (Model No.: 9087412020)



ECOFLEX SYSTEM (Model No.: 9087412020)

KIT	ITEM	REF. NO.	QTY	DESCRIPTION	NOTE
	1#	56104190	1	DETERGENT TANK	
	2	9100001081	1	DETERGENT TANK SIP	
	3	56104189	1	INSERT-DRY BRAKE	
	4	56315517	1	CAP	
	5	56315523	1	CAP DRY BREAK 1/8 BARB	
	6	9100000891	1	HOSE SILICONE D.4X7 L.300MM SIP	
	7#	9100002398	1	PUMP DETERG. MIX PERISTALTIC 24V SIP	
	8#	9100002388	1	HEAD PERISTALTIC PUMP DETERG. SIP	
	8#	9100002409	1	DECALS ADVANCE SC2000 KIT	
	10#	9100002402	1	BARB HOSE STRAIGHT D.5-D.4 PLAST. 2 PCS SET	
K1	11	9097023000	1	ADAPTER DETERGENT TANK	
K1	12	9097022000	1	SENSOR DETERGENT MIX LEVEL	
	K1*	9098025000	1	ADAPTER DETERGENT KIT	

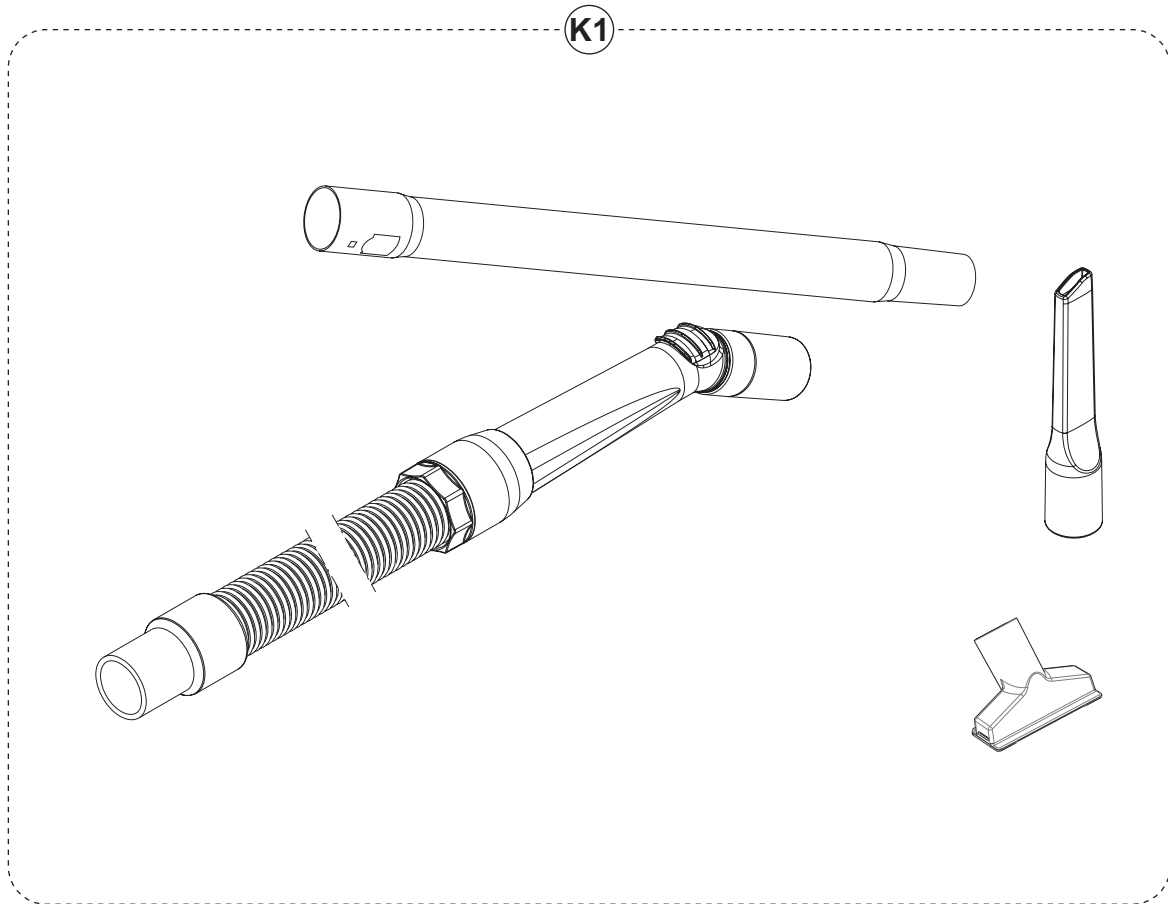
BEACON FLASHING, WATER FILLING, SLASH GUARD, USB PORT



BEACON FLASHING, WATER FILLING, SPLASH GUARD, USB PORT

KIT	ITEM	REF. NO.	QTY	DESCRIPTION	NOTE
	1	33023155	1	BEACON FLASHING SIP	
K1*	910000663		1	BEACON FLASHING KIT	(910000982) INSTALLATION INSTRUCTIONS
	2	910000808	1	RUBBER SOLUTION CAP SIP	
	3	910000894	1	ELBOW CURVED M/F SIP	
	4	910000622	2	GASKET RUBBER D.11.5x19x5 BLACK SIP	
	5	9099675000	1	FITTING QUICK KIT	
	6	910000897	1	VALVE WATER STOP SIP	
K2*	910000707		1	AUTOMATIC WATER FILLING KIT	(910000984) INSTALLATION INSTRUCTIONS
K3*#	9100001441		1	SPLASH GUARD 510MM 20 KIT	
K4*#	9100002238		1	USB PORT KIT	(9100002239) INSTALLATION INSTRUCTIONS

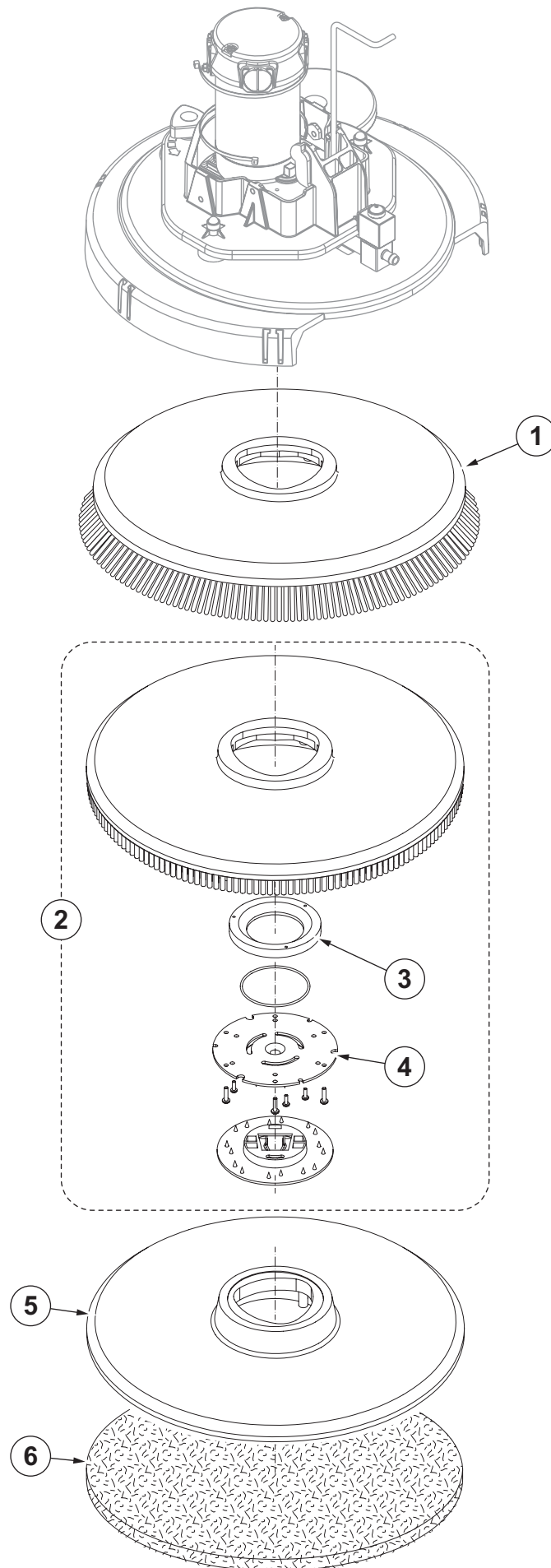
HOSE SUCTION HAND



HOSE SUCTION HAND

KIT	ITEM	REF. NO.	QTY	DESCRIPTION	NOTE
	K1*#	9100002205	1	DRAINING HAND TOOL	

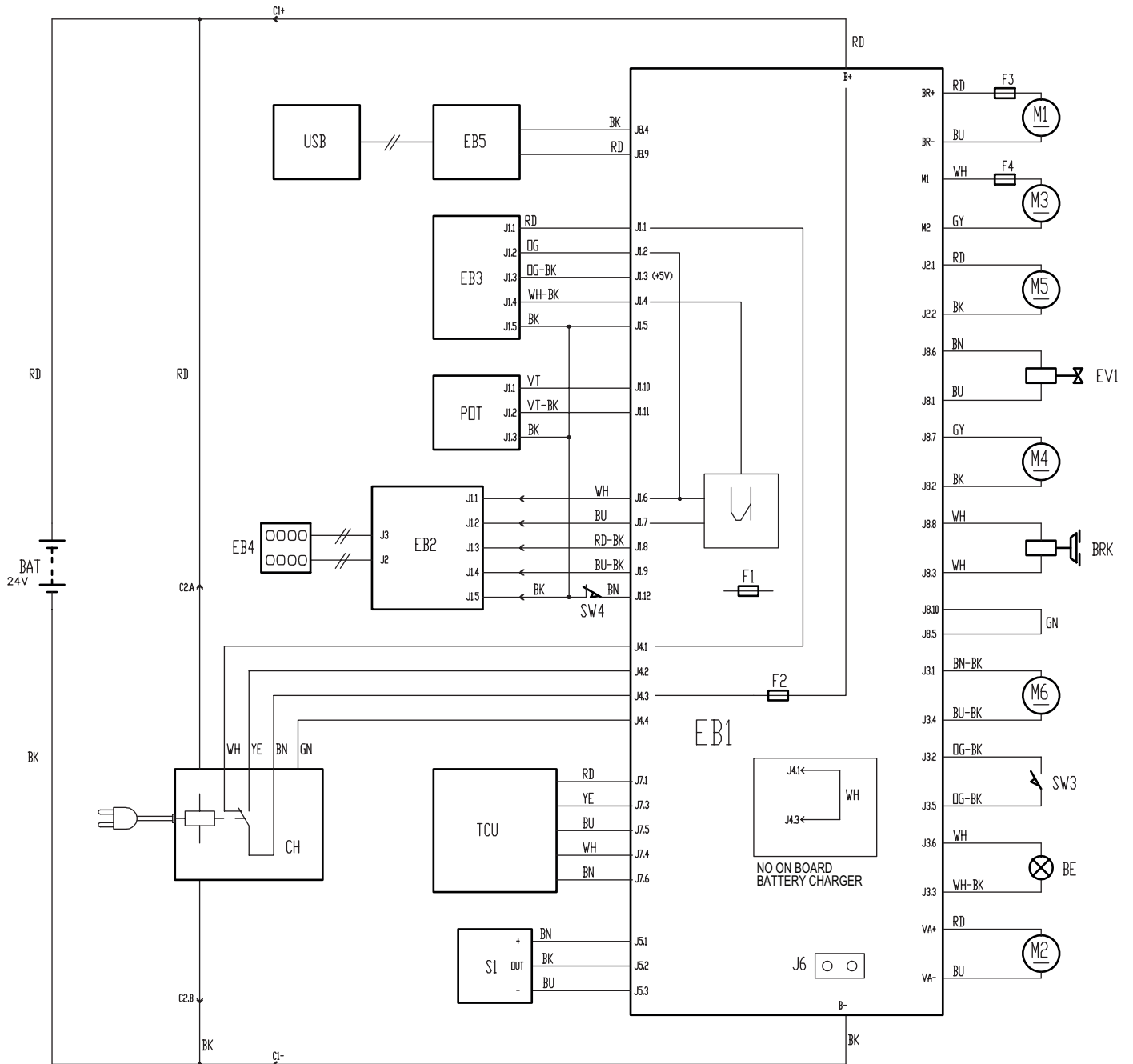
BRUSHES



BRUSHES

KIT	ITEM	REF. NO.	QTY	DESCRIPTION	NOTE
	1*	L08837025	1	BRUSH DISC 530MM 21 PROLENE	
	1*	L08837026	1	BRUSH DISC 530MM 21 PROLITE	
	1*	L08837027	1	BRUSH DISC 530MM 21 UNION MIX	
	1*	L08837028	1	BRUSH DISC 530MM 21 MIDLITE GRIT 180	
	1*	L08837029	1	BRUSH DISC 530MM 21 MID GRIT 240	
	1*	L08837065	1	BRUSH DISC 530MM 21 MAGNA GRIT 46	
	1*	L08837066	1	BRUSH DISC 530MM 21 DYNA GRIT 80	
	1*	L08837067	1	BRUSH DISC 530MM 21 AGLITE GRIT 500	
	2*	L08837018	1	PAD HOLDER 530MM	
	3	L08603966	1	RING NYLON	
	4	56505195	1	PAD RETAINER	
	5*	9099671000	1	PAD HOLDER FLAT 20 508MM	
	6*	10001955	1	PAD 20 508MM ECO BLACK 5PCS	
	6*	10001956	1	PAD 20 508MM ECO BLUE 5PCS	
	6*	10001957	1	PAD 20 508MM ECO BROWN 5PCS	
	6*	10001958	1	PAD 20 508MM ECO GREEN 5PCS	
	6*	10001959	1	PAD 20 508MM ECO RED 5PCS	
	6*	10001960	1	PAD 20 508MM ECO WHITE 5PCS	
	6*	10002348	1	PAD 20 508MM ECO BRILLIANCE RED 2PCS	
	6*	10002349	1	PAD 20 508MM ECO BRILLIANCE BLUE 2PCS	
	6*	10002350	1	PAD 20 508MM ECO BRILL. YELLOW 2PCS	
	6*	10002351	1	PAD 20 508MM ECO BRILLIANCE GREEN 2PCS	

WIRING DIAGRAM (Model No.: 9087361020)



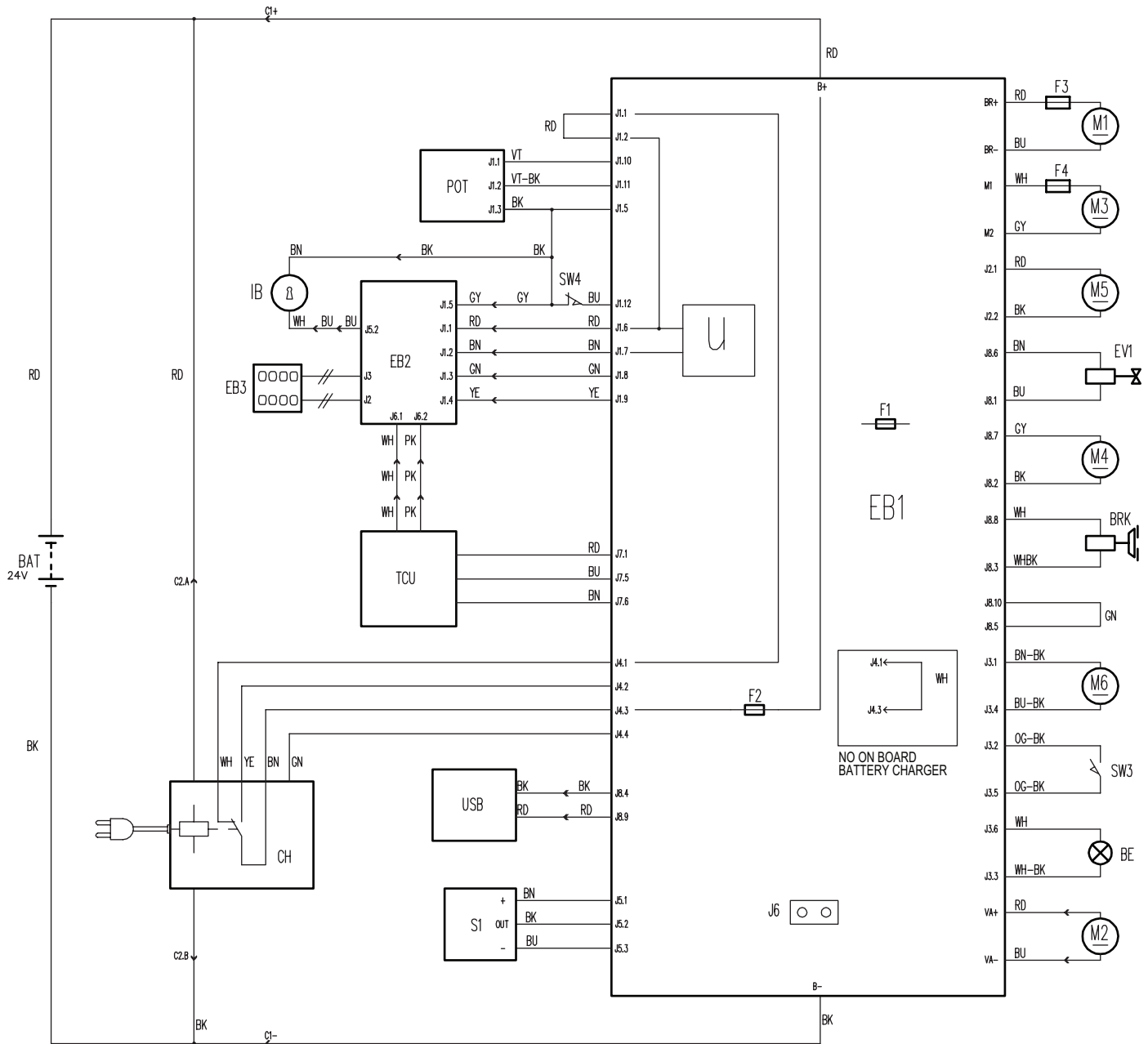
WIRING DIAGRAM (Model No.: 9087361020)

KEY	REF. NO.	DESCRIPTION	NOTE
BAT	-	24 V BATTERIES	
BE	9100000663	BEACON FLASHING KIT	
BRK	9100001199	ELECTROMAGNETIC BRAKE SIP	
C1	-	BATTERY CONNECTOR	
C2	-	CHARGER BATT. CONNECTOR	
CH	9100001145	CHARGER BATT. O/B 24V 13A 100-230V SET	
EB1	9100001122	CONTROLLER MAIN MACHINE SIP	SEE TSB-FC-2016-007
EB2	9100001104	CARD ELECTRONIC DISPLAY SIP	
EB3	9100001105	CARD ELECTRONIC KEY SIP	
EB4	9100001123	DASHBOARD CONTROL PANEL SIP	
EB5	-	5V POWER UNIT (OPTIONAL)	
EV1	9100000870	SOLENOID VALVE 24V SIP	
F1	9100000877	FUSE MIDIFUSE 100A SIP	
F2	9100000878	FUSE BLADE 3A SIP	
F3#	9100002234	FUSE BOLT DOWN 50A SIP	
F4#	9100002234	FUSE BOLT DOWN 50A SIP	
M1	9100000874	REDUCTION GEARMOTOR 450W 24V SIP	
M2	9100001144	MOTOR VACUUM 24V 310W SIP	
M3	9100001200	MOTOR ELECTRIC 400W 24V SIP	
M4#	9100001819	PUMP DETERGENT MIX SIP	
M5	9100001131	ACTUATOR 24V DC STROKE 98MM 16MM/S SIP	SEE TSB-FC-2016-007
M6	9100001133	ACTUATOR 24V DC STROKE 77.5MM 16MM/S SIP	
POT	9100001140	THROTTLE ELECTRONIC SIP	
S1#	-	WATER LEVEL SENSOR	
SW3	9100001130	CUSHION SEAT W. MICROSWITCH SIP	
SW4	9100001183	MICROSWITCH KIT	
TCU	-	TRACKCLEAN™ (OPTIONAL)	
USB	9100002238	USB PORT KIT	

KEY	COLOUR
BK	BLACK
BU	LIGHT BLUE
BN	BROWN
GN	GREEN
GY	GREY
OG	ORANGE

KEY	COLOUR
PK	PINK
RD	RED
VT	VIOLET
WH	WHITE
YE	YELLOW

WIRING DIAGRAM (Model No.: 9087412020)



WIRING DIAGRAM (Model No.: 9087412020)

KEY	REF. NO.	DESCRIPTION	NOTE
BAT	-	24 V BATTERIES	
BE	9100000663	BEACON FLASHING KIT	
BRK	9100001199	ELECTROMAGNETIC BRAKE SIP	
C1	-	BATTERY CONNECTOR	
C2	-	CHARGER BATT. CONNECTOR	
CH	9100001145	CHARGER BATT. O/B 24V 13A 100-230V SET	
EB1#	9100002376	CONTROLLER MAIN MACHINE SIP	
EB2#	9100002373	CONTROLLER DISPLAY SIP	
EB3	9100001123	DASHBOARD CONTROL PANEL SIP	
EV1	9100000870	SOLENOID VALVE 24V SIP	
F1	9100000877	FUSE MIDIFUSE 100A SIP	
F2	9100000878	FUSE BLADE 3A SIP	
F3#	9100002234	FUSE BOLT DOWN 50A SIP	
F4#	9100002234	FUSE BOLT DOWN 50A SIP	
IB#	56116477	SMART KEY - PROBE	
M1	9100000874	REDUCTION GEARMOTOR 450W 24V SIP	
M2	9100001144	MOTOR VACUUM 24V 310W SIP	
M3	9100001200	MOTOR ELECTRIC 400W 24V SIP	
M4#	9100002398	PUMP DETERG. MIX PERISTALTIC 24V SIP	
M5	9100001131	ACTUATOR 24V DC STROKE 98MM 16MM/S SIP	SEE TSB-FC-2016-007
M6	9100001133	ACTUATOR 24V DC STROKE 77.5MM 16MM/S SIP	
POT	9100001140	THROTTLE ELECTRONIC SIP	
S1	-	WATER LEVEL SENSOR	
SW3	9100001130	CUSHION SEAT W. MICROSWITCH SIP	
SW4	9100001183	MICROSWITCH KIT	
TCU	-	TRACKCLEAN™ (OPTIONAL)	
USB	9100002238	USB PORT KIT	

KEY	COLOUR
BK	BLACK
BU	LIGHT BLUE
BN	BROWN
GN	GREEN
GY	GREY
OG	ORANGE

KEY	COLOUR
PK	PINK
RD	RED
VT	VIOLET
WH	WHITE
YE	YELLOW

RECOMMENDED PARTS

REF. NO.	QTY	DESCRIPTION	NOTE	
NORMAL WEAR				
#	9100001511	1	GASKET RUBBER L.1200MM SIP	
	9100000810	1	BLADE SQUEEGEE 740MM 29 GUM KIT	
	9100000490	1	BLADE SQUEEGEE 730MM 29 PU KIT	
	9100000060	1	BLADE SQUEEGEE 730MM 29 RED GUM KIT	
	L08837025	1	BRUSH DISC 530MM 21 PROLENE	
ORDINARY MAINTENANCE				
	9100000803	1	VALVE ELBOW SIP	
	9100000574	1	FITTING STRAIGHT G1/2 D.20 KIT	
	1465355000	1	CAP SOLUTION TANK KIT	
#	9100001353	1	FILTER SOLUTION TANK SIP	
#	9100001578	1	HOSE FRESH WATER LEVEL KIT	
	9100001139	2	GASKET RUBBER D.21X33X2.5 BLACK SIP	
	9100000817	1	BALL FLOATING SIP	
	9097587000	1	CAGE FLOAT	
	9100000928	1	GASKET FLOAT SUPPORT SIP	
	9100001106	1	HOSE SUCTION BLACK SIP	
	9100001113	1	HOSE DRAIN BLACK SIP	
	9100001144	1	MOTOR VACUUM 24V 310W SIP	
	9100000843	1	OPERATOR KEY	Model No.: 9087361020
	9100000848	1	SUPERUSER KEY	
#	56116518	1	SMART KEY - USER	Model No.: 9087412020
#	56116519	1	SMART KEY - SUPERVISOR	
#	56116477	1	SMART KEY - PROBE	
	1464432000	1	CARBON BRUSHES KIT 4 PCS	
#	9100002334	1	WHEEL D.200X76 GREY-BLACK SIP	
	9100000860	1	FILTER WATER SIP	
	9100000861	1	NET WATER FILTER REINFORCED SIP	
	9100000862	1	KNOB LOBES M8 FEMALE SIP	
	9100000791	2	KNOB M8X30 THD STUD SS SIP	
	9100000559	3	WHEEL D.51 GREY SIP	
	9100000864	1	STRAP ELASTIC F REAR SQUEEGEE BLADE SIP	
	9100000865	1	STRAP FRONT SQUEEGEE BLADE SIP	
#	9100001816	1	GUIDE WHEEL 2 PCS SET	
	9100000748	1	HARDWARE SQUEEGEE KIT	
	9100000870	1	SOLENOID VALVE 24V SIP	
	9100000871	1	HUB BRUSH SIP	
	9098376000	1	CARBON BRUSHES KIT 4 PCS	
	L08812204	1	ROLLER BUMPER D.160 BLACK	
	9100000891	1	HOSE SILICONE D.4X7 L.300MM SIP	
#	9100001819	1	PUMP DETERGENT MIX SIP	Model No.: 9087361020
#	9100002398	1	PUMP DETERG. MIX PERISTALTIC 24V SIP	Model No.: 9087412020
EXTRA ORDINARY MAINTENANCE				
	9100001130	1	CUSHION SEAT W. MICROSWITCH SIP	
	9100001091	1	TRAY DEBRIS SIP	
	9100001092	1	COVER TRAY DEBRIS SIP	
	9100001105	1	CARD ELECTRONIC KEY SIP	
	9100001180	1	THROTTLE KIT	
	9100001168	1	SPRING ZERO SETTING SQUEEGEE KIT	
	9100001162	1	WHEEL D.254X80 GREY-BLACK 2 PCS SET	
	9100001200	1	MOTOR ELECTRIC DRIVE SIP	
#	9100001734	1	SUPPORT BALL BEARING SIP	
#	1467639000	1	BEARING TAPER ROLLER 32004X	
	9100001160	1	SCREW 10X16 M8 ISO7379 12.9 10 PCS SET	
	9100001101	1	PIN WHEEL SIP	
#	9100001350	1	SCREW GRUB M5X10 UNI5929 10 PCS SET	
	9100001093	1	BEARING NEEDLE ROLLER NK 17/20 SIP	UNTIL S/N 3510163104804
#	9100001848	1	HARDWARE STEERING SUPPORT KIT	STARTING FROM S/N 3510163104805
	9100001104	1	CARD ELECTRONIC DISPLAY SIP	Model No.: 9087361020
#	9100002373	1	CONTROLLER DISPLAY SIP	Model No.: 9087412020
	9100001123	1	DASHBOARD CONTROL PANEL SIP	
	9100001174	1	HOSES SOLUTION KIT	
	9100001131	1	ACTUATOR 24V DC STROKE 98MM 16MM/S SIP	SEE TSB-FC-2016-007
	9100001133	1	ACTUATOR 24V DC STROKE 77.5MM 16MM/S SIP	

RECOMMENDED PARTS - ACCESSORIES/OPTIONAL

REF. NO.	QTY	DESCRIPTION	NOTE
9100001173	1	HARDWARE ACTUATOR KIT	
9100000797	1	HOSES BRUSH DECK KIT	
9100000868	1	VIBRATION DAMPING M8 60SH 2 PCS SET	
9100000874	1	REDUCTION GEARMOTOR 450W 24V SIP	
909 6887 000	1	ROLLER BUMPER KIT	
9100001122	1	CONTROLLER MAIN MACHINE SIP	SEE TSB-FC-2016-007 Model No.: 9087361020
# 9100002376	1	CONTROLLER MAIN MACHINE SIP	Model No.: 9087412020
# 9100002117	1	CONNECTOR RED 120A 2 PCS SET	
9100001179	1	LEVER EMERGENCY KIT	
9100001145	1	CHARGER BATT. O/B 24V 13A 100-230V SIP	
9100001081	1	DETERGENT TANK SIP	
56104189	1	INSERT-DRY BRAKE	
56315517	1	CAP	
56315523	1	CAP DRY BREAK 1/8 BARB	
56315523	1	CAP DRY BREAK 1/8 BARB	
9100000891	1	HOSE SILICONE D.4X7 L.300MM SIP	
9098025000	1	ADAPTER DETERGENT KIT	
ACCESSORIES/OPTIONAL			
# 9100001353	1	FILTER SOLUTION TANK SIP	
909 5065 000	1	FILTER ANTIFOAMING	
9100000843	1	OPERATOR KEY	Model No.: 9087361020
9100000848	1	SUPERUSER KEY	
# 56116518	1	SMART KEY - USER	Model No.: 9087412020
# 56116519	1	SMART KEY - SUPERVISOR	
9100000810	1	BLADE SQUEEGEE 740MM 29 GUM KIT	
9100000490	1	BLADE SQUEEGEE 730MM 29 PU KIT	
9100000060	1	BLADE SQUEEGEE 730MM 29 RED GUM KIT	
9098025000	1	ADAPTER DETERGENT KIT	
9100000663	1	BEACON FLASHING KIT	
9100000707	1	AUTOMATIC WATER FILLING KIT	
# 9100001441	1	SPLASH GUARD 510MM 20 KIT	
9100002238	1	USB PORT KIT	
L08837025	1	BRUSH DISC 530MM 21 PROLENE	
L08837026	1	BRUSH DISC 530MM 21 PROLITE	
L08837027	1	BRUSH DISC 530MM 21 UNION MIX	
L08837028	1	BRUSH DISC 530MM 21 MIDLITE GRIT 180	
L08837029	1	BRUSH DISC 530MM 21 MID GRIT 240	
L08837065	1	BRUSH DISC 530MM 21 MAGNA GRIT 46	
L08837066	1	BRUSH DISC 530MM 21 DYNA GRIT 80	
L08837067	1	BRUSH DISC 530MM 21 AGLITE GRIT 500	
L08837018	1	PAD HOLDER 530MM	
9099671000	1	PAD HOLDER FLAT 20 508MM	
10001955	1	PAD 20 508MM ECO BLACK 5PCS	
10001956	1	PAD 20 508MM ECO BLUE 5PCS	
10001957	1	PAD 20 508MM ECO BROWN 5PCS	
10001958	1	PAD 20 508MM ECO GREEN 5PCS	
10001959	1	PAD 20 508MM ECO RED 5PCS	
10001960	1	PAD 20 508MM ECO WHITE 5PCS	
10002348	1	PAD 20 508MM ECO BRILLIANCE RED 2PCS	
10002349	1	PAD 20 508MM ECO BRILLIANCE BLUE 2PCS	
10002350	1	PAD 20 508MM ECO BRILL. YELLOW 2PCS	
10002351	1	PAD 20 508MM ECO BRILLIANCE GREEN 2PCS	
# 9100001366	1	SQUEEGEE NON MARKING 730MM/29 KIT	
# 9100002205	1	DRAINING HAND TOOL KIT	

9435 Winnetka Avenue North
Brooklyn Park, MN 55445
www.advance-us.com
Phone: 800-989-2235
Fax: 800-989-6566
©2017 Nilfisk, Inc.

